



I/O COUPLER

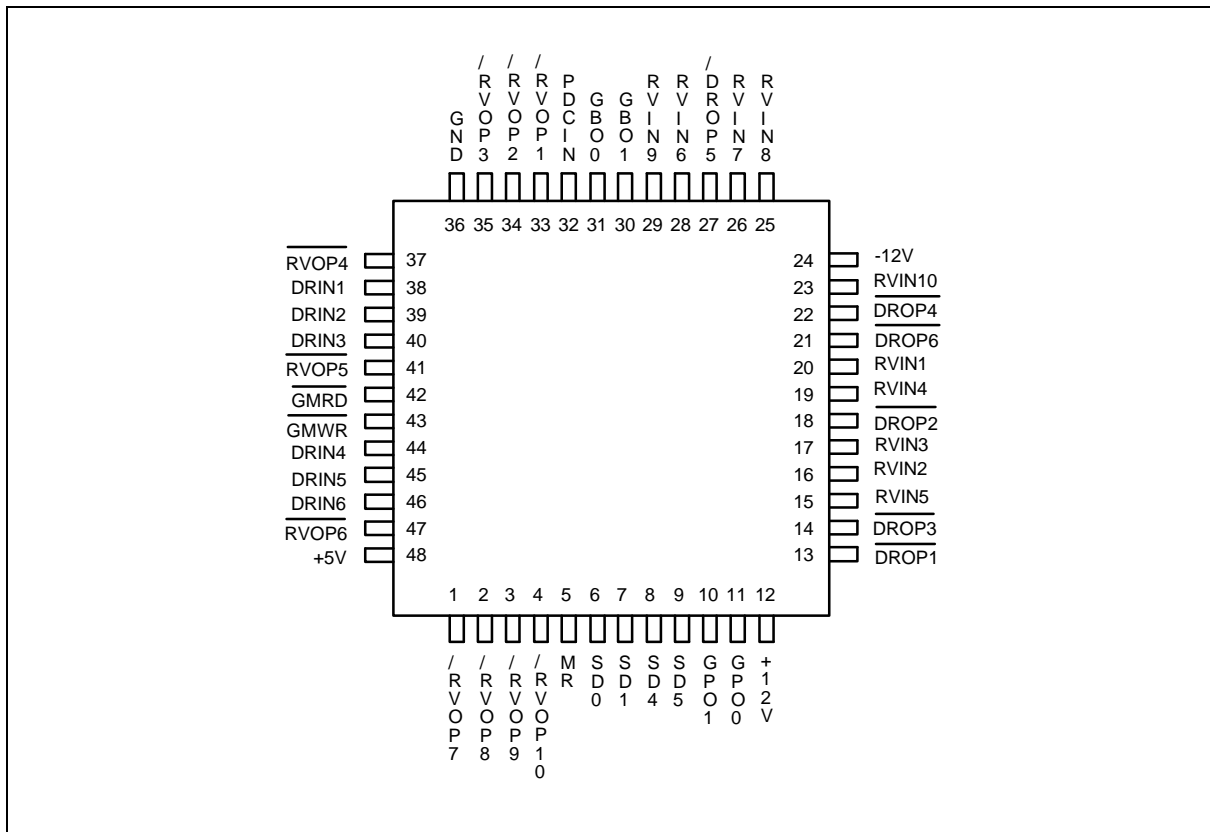
GENERAL DESCRIPTION

The W83768 is an I/O-coupler chip that includes six line drivers (1488), ten line receivers (1489), two timers (556), and one 244-type buffer block for game port signals. It also supports a power-down control circuit to reduce power consumption. This chip is intended for use with an I/O controller, and it is specifically designed to match the pin assignments of the Winbond Power I/O series. With this chip, engineers can easily design an all-in-one I/O circuit for personal computer systems without using any other TTL ICs.

FEATURES

- Six line drivers (1488), ten line receivers (1489), two timers (556), one buffer block for game port signals
- Supports two RS232 serial ports and one game port control logic circuit
- Power-down control function available
- Four power supplies needed: 0V, +5V, +12V, and -12V
- 48-pin QFP package

PIN CONFIGURATION





PIN DESCRIPTION

Power Pins

PIN NO.	SYMBOL	I/O	DESCRIPTION
36	GND	-	Ground
48	VCC	-	+5V Power
12	VDD	-	+12V Power
24	VSS	-	-12V Power

Line Drivers

PIN NO.	SYMBOL	I/O	DESCRIPTION
38	DRIN1	I	Driver input 1
39	DRIN2	I	Driver input 2
40	DRIN3	I	Driver input 3
44	DRIN4	I	Driver input 4
45	DRIN5	I	Driver input 5
46	DRIN6	I	Driver input 6
13	$\overline{\text{DROP1}}$	O	Driver output 1
18	$\overline{\text{DROP2}}$	O	Driver output 2
14	$\overline{\text{DROP3}}$	O	Driver output 3
22	$\overline{\text{DROP4}}$	O	Driver output 4
27	$\overline{\text{DROP5}}$	O	Driver output 5
21	$\overline{\text{DROP6}}$	O	Driver output 6

Line Receivers

PIN NO.	SYMBOL	I/O	DESCRIPTION
20	RVIN1	I	Receiver input 1
16	RVIN2	I	Receiver input 2
17	RVIN3	I	Receiver input 3
19	RVIN4	I	Receiver input 4
15	RVIN5	I	Receiver input 5
28	RVIN6	I	Receiver input 6
26	RVIN7	I	Receiver input 7
25	RVIN8	I	Receiver input 8
29	RVIN9	I	Receiver input 9



Line Receivers, continued

PIN NO.	SYMBOL	I/O	DESCRIPTION
23	RVIN10	I	Receiver input 10
33	$\overline{\text{RVOP1}}$	I/O	During normal operations, this pin works as receiver output #1. During power-on reset, this pin is used to select power-down control (PDC) mode enable level. When $\overline{\text{RVOP1}}$ is set to high at power-on, PDC is high active. When $\overline{\text{RVOP1}}$ is set to low at power-on, PDC is low active.
34	$\overline{\text{RVOP2}}$	O	Receiver output 2
35	$\overline{\text{RVOP3}}$	O	Receiver output 3
37	$\overline{\text{RVOP4}}$	O	Receiver output 4
41	$\overline{\text{RVOP5}}$	O	Receiver output 5
47	$\overline{\text{RVOP6}}$	O	Receiver output 6
1	$\overline{\text{RVOP7}}$	O	Receiver output 7
2	$\overline{\text{RVOP8}}$	O	Receiver output 8
3	$\overline{\text{RVOP9}}$	O	Receiver output 9
4	$\overline{\text{RVOP10}}$	O	Receiver output 10

Game Port

PIN NO.	SYMBOL	I/O	DESCRIPTION
11	GPO0	I/O	Game port RC constant (open drain)
10	GPO1	I/O	Game port RC constant (open drain)
31	GBO0	I	Game port button input
30	GBO1	I	Game port button input
42	$\overline{\text{GMRD}}$	I	Game port read. This pin is internally pulled-up to make it convenient to disable the game port.
43	$\overline{\text{GMWR}}$	I	Game port write

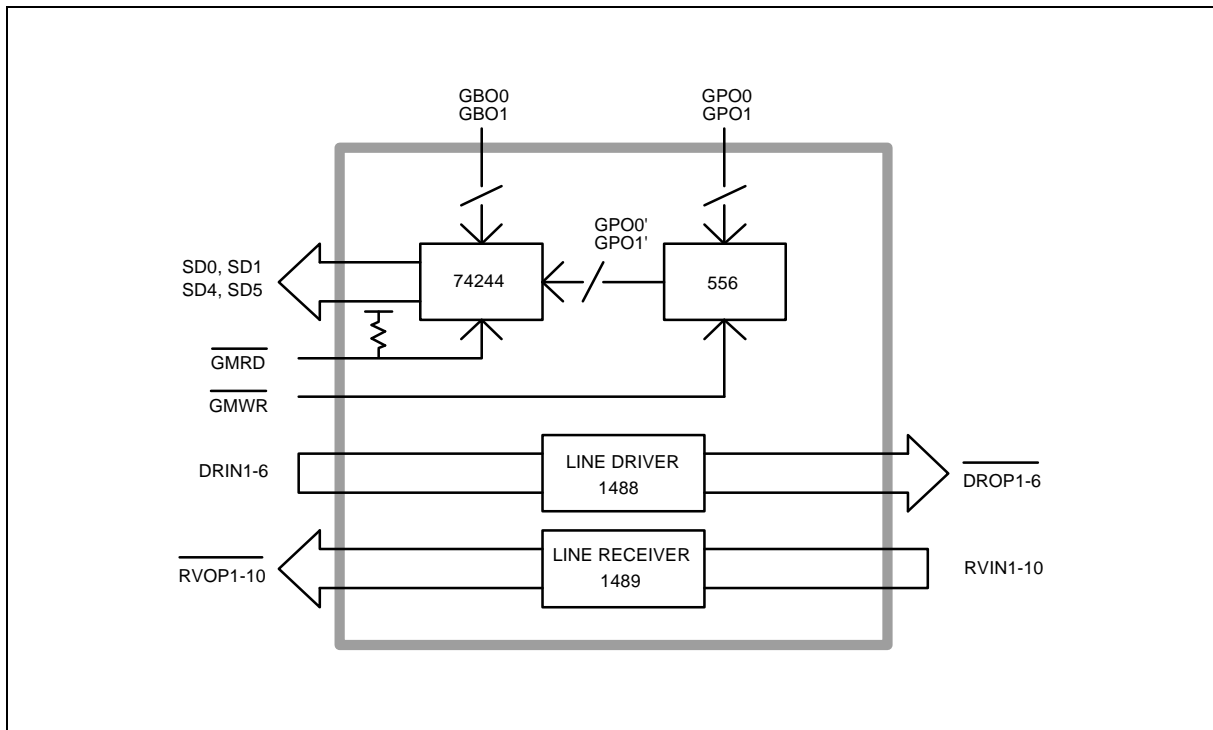
Control Signals

PIN NO.	SYMBOL	I/O	DESCRIPTION
5	MR	I	Master reset signal input
32	PDCIN	I	This pin is used to enable/disable the power-down function. The active level of this pin depends on how pin $\overline{\text{RVOP1}}$ is programmed at power-on. If $\overline{\text{RVOP1}}$ is set high at power-on, for example, then setting PDCIN to high will cause the W83768 to enter power-down mode.

Data Bus

PIN NO.	SYMBOL	I/O	DESCRIPTION
6	SD0	O	System data bit 0
7	SD1	O	System data bit 1
8	SD4	O	System data bit 4
9	SD5	O	System data bit 5

BLOCK DIAGRAM



FUNCTIONAL DESCRIPTION

Block 74244

This 244-type block functions as a buffer for reading game port buttons GBO0 and GBO1 and the status of block 556 output signals GPO0' and GPO1' on data bits 4, 5, 0, and 1, respectively.

Block 556

This block contains two independent 555-type timing circuits that are used to generate two separate one-shot signals. With these two one-shot pulses, the RC inputs of the game port can easily be measured. The GMWR signal is the trigger signal of block 556.



Line Driver Block 1488

This block contains six line drivers that are designed to serve as an interface between data terminal equipment and data communications equipment in conformance with the specifications of EIA standard RS-232C. The power requirements are +12V, 0V, and -12V.

Line Receiver Block 1489

This block contains ten line receivers that are designed to serve as an interface between data terminal equipment and data communications equipment in conformance with the specifications of EIA standard RS-232C. The power requirements are +12V, 0V, and -12V.

Power-Down Control Mode

When pin PDCIN is set active (active high or low determined by $\overline{RVOP1}$ at power-on reset), the W83768 enters power-down mode, and all output buffers (SD0, SD1, SD4, SD5, $\overline{RVOP1-10}$, $\overline{DROP1-6}$) will enter tri-state to reduce power consumption.

ABSOLUTE MAXIMUM RATINGS

PARAMETER		RATING	UNIT
Power Supply Voltage	GND, Vcc	0 to 5.5	V
	Vss, VDD	-13 to 13	
Input Voltage	Low Voltage	-0.5 to 7.0	V
	High Voltage	-12 to 12	
Operating Temperature		0 to 70	°C
Storage Temperature		-55 to 150	°C

Note: Exposure to conditions beyond those listed under Absolute Maximum Ratings may adversely affect the life and reliability of the device.

DC CHARACTERISTICS

Ta = 0° C to +70° C, VCC = 5V, VDD = 12V, Vss = -12V, GND = 0V

PARAMETER	SYMBOL	MIN.	MAX.	NOTES
Input low voltage	V _{IL} (TTL)	-0.3V	+0.6V	MR, \overline{GMRD} , \overline{GMWR}
Input high voltage	V _{IH} (TTL)	+2.4V	Vcc +0.3V	MR, \overline{GMRD} , \overline{GMWR}
Input low voltage	V _{IL} (CMOS)	-0.3V	0.2 Vcc	DRIN1-6, GBO0-1, GPO0-1, PDCIN



DC Characteristics, continued

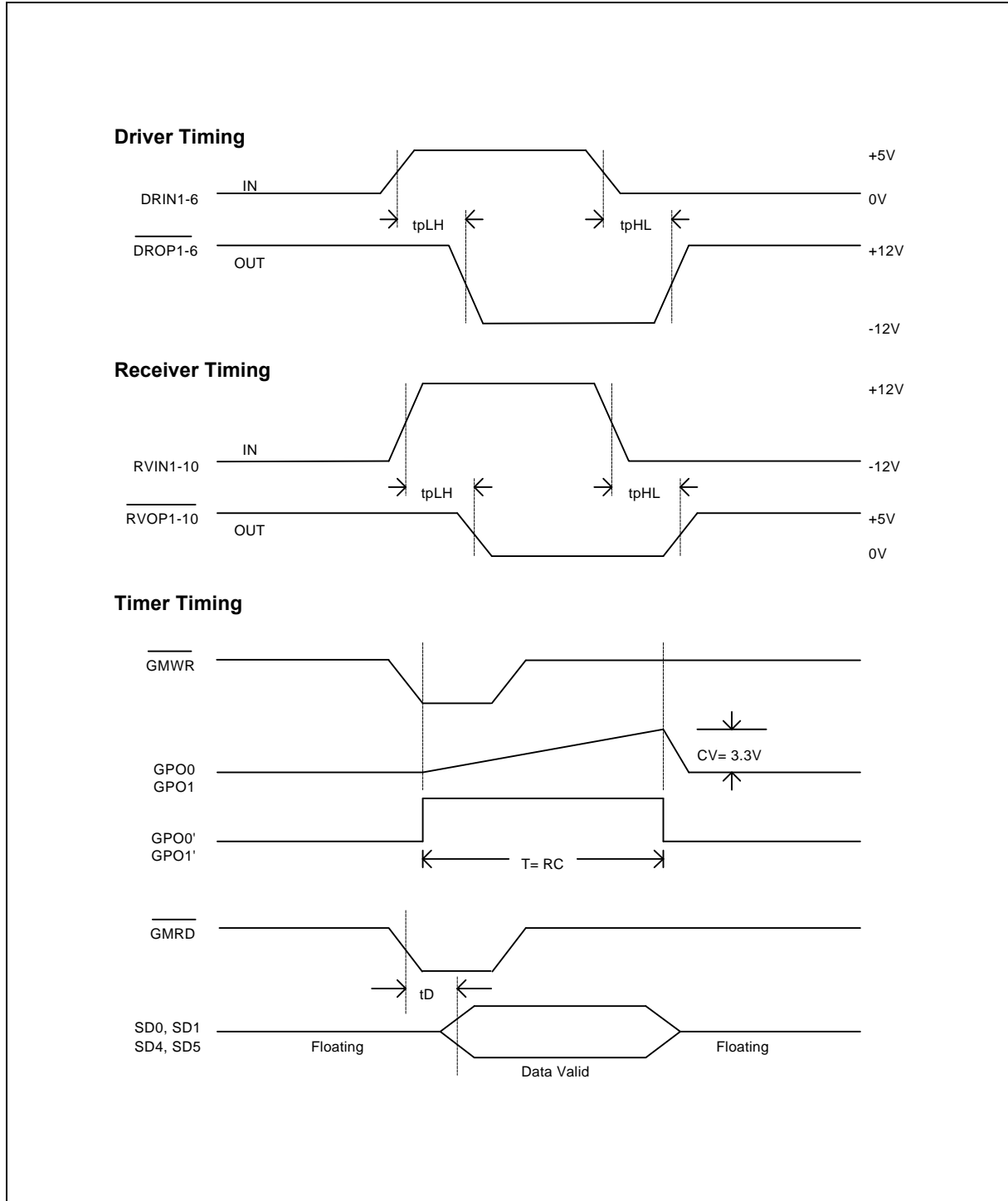
PARAMETER	SYMBOL	MIN.	MAX.	NOTES
Input high voltage	V _{IH} (CMOS)	+3.9V	V _{CC} +0.3V	DRIN1-6, GBO0-1, GPO0-1, PDCIN
Input low voltage	V _{IL} (HI-V)	V _{SS}	GND	RVIN1-10
Input high voltage	V _{IH} (HI-V)	2V	V _{DD}	RVIN1-10
Output low voltage	V _{OL}	-	0.4V	$\overline{RVOP1-10}$, SD0, SD1, SD4, SD5
Output high voltage	V _{OH}	+2.4V	-	$\overline{RVOP1-10}$, SD0, SD1, SD4, SD5
Output low voltage	V _{OL} (HI-V)	V _{SS}	-2V	$\overline{DROP1-6}$
Output high voltage	V _{OH} (HI-V)	+2V	V _{DD}	$\overline{DROP1-6}$

SYMBOL	CURRENT LEVEL					
	MAX.		MIN.		TYP.	
	I _{IL}	I _{IH}	I _{OL}	I _{OH}	I _{OL}	I _{OH}
MR	-20 μ A	3 μ A	-	-	-	-
PDCIN	-20 μ A	3 μ A	-	-	-	-
\overline{GMRD} , \overline{GMWR}	-20 μ A	3 μ A	-	-	-	-
GBO0, GBO1	-20 μ A	3 μ A	-	-	-	-
RVIN1-10	-1 mA	3 μ A	-	-	-	-
GPO0, GPO1	-	-	1.5 mA	-	2 mA	-
SD0, SD1, SD4, SD5	-	-	5.5 mA	4 mA	8 mA	6 mA
$\overline{RVOP1-10}$	-	-	2 mA	2 mA	3 mA	3 mA
$\overline{DROP1-6}$	-	-	10 mA	10 mA	14 mA	16 mA

AC CHARACTERISTICS

PARAMETER	SYMBOL	MIN.	TYP.	MAX.	UNIT
1488 tpLH	DRIN1-6	-	60	90	nS
1488 tpHL	$\overline{DROP1-6}$	-	60	90	nS
1489 tpLH	RVIN1-10	-	60	90	nS
1489 tpHL	$\overline{RVOP1-10}$	-	60	90	nS
tD	SD0, SD1, SD4, SD5	-	90	120	nS

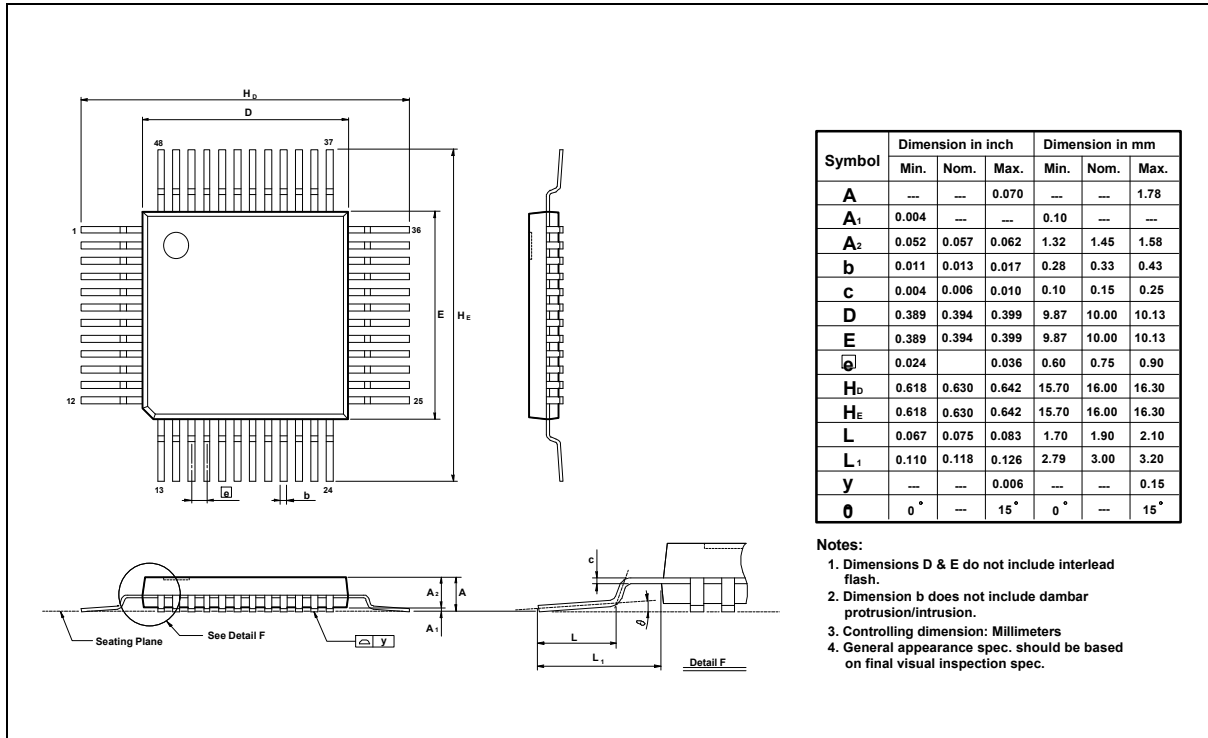
TIMING WAVEFORMS





PACKAGE DIMENSIONS

48-lead QFP



Headquarters

No. 4, Creation Rd. III,
 Science-Based Industrial Park,
 Hsinchu, Taiwan
 TEL: 886-3-5770066
 FAX: 886-3-5792646
<http://www.winbond.com.tw/>
 Voice & Fax-on-demand: 886-2-7197006

Taipei Office

11F, No. 115, Sec. 3, Min-Sheng East Rd.,
 Taipei, Taiwan
 TEL: 886-2-7190505
 FAX: 886-2-7197502

Winbond Electronics (H.K.) Ltd.

Rm. 803, World Trade Square, Tower II,
 123 Hoi Bun Rd., Kwun Tong,
 Kowloon, Hong Kong
 TEL: 852-27516023
 FAX: 852-27552064

Winbond Electronics North America Corp.

Winbond Memory Lab.
Winbond Microelectronics Corp.
Winbond Systems Lab.
 2730 Orchard Parkway, San Jose,
 CA 95134, U.S.A.
 TEL: 1-408-9436666
 FAX: 1-408-9436668

Note: All data and specifications are subject to change without notice.