

**PC-AT MEMORY MAPPER (74LS612)**

**FEATURES**

- Expands address lines from four to 12
- Paged memory mapping design
- Three-state or open-collector map outputs
- Compatible with IBM PC/AT as well as most popular microprocessor-based systems
- Single 5 V power supply
- Low power-consuming CMOS technology
- Fully compatible with 74LS612

**DESCRIPTION**

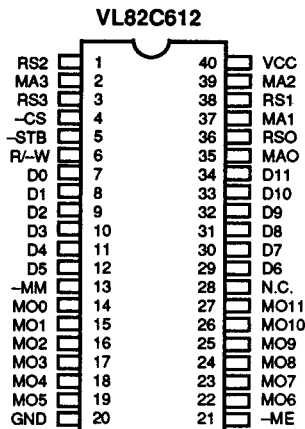
The VL82C612 CMOS memory-mapper integrated circuit contains a 4-line to 16-line decoder, a 16-word by 12-bit RAM, 16 channels of 2-line to 1-line multiplexers, and the necessary control logic to operate efficiently in an IBM PC/AT or most other microprocessor environments. The device is fabricated in CMOS technology to insure low power consumption and maximum system performance while remaining fully compatible with the 74LS612.

The memory-mapper expands the microprocessor's system memory

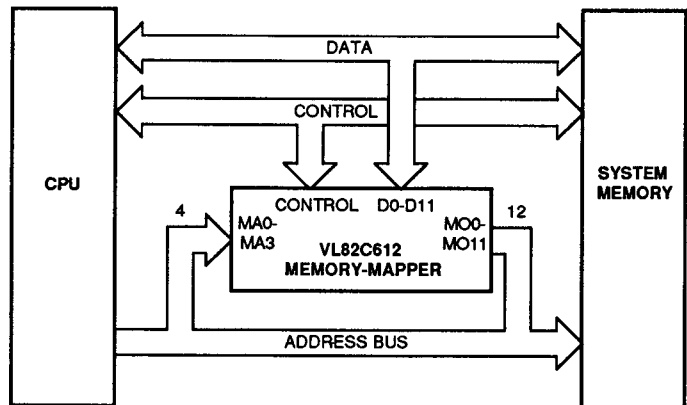
address capability by eight bits. Four bits of the memory address bus (see System Block Diagram below) can be used to select one of 16 map registers that contain 12 bits each. These 12 bits are presented to the system memory address bus through the map output buffers along with the remaining memory address bits from the CPU.

The device is available in a 40-pin DIP as well as a 44-pin plastic leaded chip carrier (PLCC).

**PIN DIAGRAM**



**SYSTEM BLOCK DIAGRAM**



**PLEASE CONSULT DATA SHEET FOR DETAILED INFORMATION**

**ORDER INFORMATION**

Part Number	Package
VL82C612-PC	Plastic DIP
VL82C612-QC	Plastic Leaded Chip Carrier (PLCC)

**Note:** Operating temperature range is 0°C to +70°C.