



PROGRAMMABLE INTERVAL TIMER

FEATURES

- Compatible 8080A, 8085A, 8086, 8088, and similar microprocessors
- Counts in binary or BCD
- Clock inputs from dc to maximum clock operating frequency
- Status may be read back on command
- Single 5 V power supply
- Three independent 16-bit counters
- Six programmable counter modes
- Low power consuming CMOS technology

DESCRIPTION

The VL82C54 is a CMOS programmable interval timer/counter designed for use with Intel-type microcomputer systems. It is a general-purpose, multi-timing element that can be considered as three separate counters by the system software.

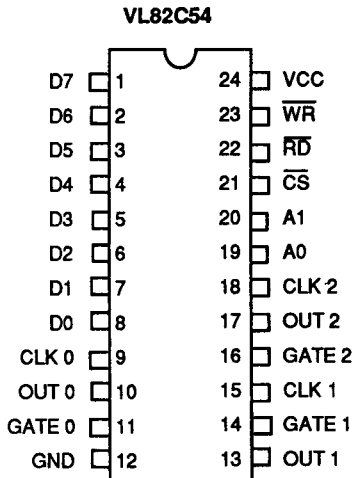
The VL82C54 solves the problem of generating an accurate timing interval in the microprocessor-based system. Instead of setting up timing loops in software, the programmer configures the VL82C54 to generate the timing

intervals required by the system. At the termination of the delay, the VL82C54 generates an interrupt to the CPU. The overhead software is minimal, and variable lengths are easily programmed.

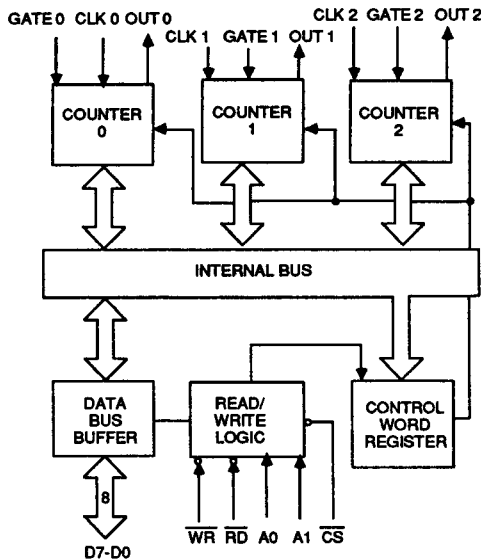
In addition to the three independent 16-bit counters on the VL82C54, it also has its own 8-bit data bus, two address lines, a chip select, and individual read and write control lines.

The VL82C54 is available in 8 MHz and 10 MHz maximum clock frequencies.

PIN DIAGRAM



BLOCK DIAGRAM



ORDER INFORMATION

Part Number	Clock Frequency	Package
VL82C54-08PC	8 MHz	Plastic DIP
VL82C54-08QC		Plastic Leaded Chip Carrier
VL82C54-08CC		Ceramic DIP
VL82C54-10PC	10 MHz	Plastic DIP
VL82C54-10QC		Plastic Leaded Chip Carrier
VL82C54-10CC		Ceramic DIP

Note: Operating temperature range: 0°C to +70°C.