

# *FireLink*

**82C861  
PCI-to-USB Bridge**

**Data Book**

Revision: 1.0  
912-3000-049  
May 27, 1998

---

---

**Copyright**

Copyright © 1997, OPTi Inc. All rights reserved. No part of this publication may be reproduced, transmitted, transcribed, stored in a retrieval system, or translated into any language or computer language, in any form or by any means, electronic, mechanical, magnetic, optical, chemical, manual, or otherwise, without the prior written permission of OPTi Inc., 888 Tasman Drive, Milpitas, CA 95035.

**Disclaimer**

OPTi Inc. makes no representations or warranties with respect to the design and documentation herein described and especially disclaims any implied warranties of merchantability or fitness for any particular purpose. Further, OPTi Inc. reserves the right to revise the design and associated documentation and to make changes from time to time in the content without obligation of OPTi Inc. to notify any person of such revisions or changes.

**Trademarks**

OPTi and OPTi Inc. are registered trademarks of OPTi Inc. All other trademarks and copyrights are the property of their respective holders.

**OPTi Inc.**  
888 Tasman Drive  
Milpitas, CA 95035  
Tel: (408) 486-8000  
Fax: (408) 486-8001  
WWW: <http://www.opti.com/>

---

# Table of Contents

---

<b>1.0</b>	<b>Features</b> .....	<b>1</b>
<b>2.0</b>	<b>Overview</b> .....	<b>1</b>
<b>2.1</b>	<b>Replacing CMD® USB0670/3 with OPTI's 82C861 FireLink</b> .....	<b>2</b>
<b>2.2</b>	<b>Power Management Features</b> .....	<b>2</b>
2.2.1	Enabling CLKRUN# .....	3
2.2.2	Putting FireLink into Suspend State .....	3
<b>3.0</b>	<b>Signal Definitions</b> .....	<b>4</b>
<b>3.1</b>	<b>Terminology/Nomenclature Conventions</b> .....	<b>4</b>
<b>3.2</b>	<b>Signal Descriptions</b> .....	<b>7</b>
3.2.1	Clock and Reset Interface Signals .....	7
3.2.2	PCI Bus Interface Signals .....	7
3.2.3	USB Interface Signals .....	9
3.2.4	Legacy and Interrupt Interface Signals .....	10
3.2.5	USB Power and Misc. Signals .....	10
3.2.6	Power and Ground Pins .....	11
3.2.7	Firelink 82C861 Strapping Options .....	11
<b>4.0</b>	<b>Functional Description</b> .....	<b>12</b>
<b>4.1</b>	<b>Universal Serial Bus (USB)</b> .....	<b>12</b>
4.1.1	PCI Controller .....	13
4.1.2	Host Controller .....	14
4.1.2.1	Legacy Support .....	16
<b>5.0</b>	<b>Register Descriptions</b> .....	<b>17</b>
<b>5.1</b>	<b>PCICFG Register Space</b> .....	<b>17</b>
<b>5.2</b>	<b>Host Controller Register Space</b> .....	<b>21</b>

## Table of Contents (cont.)

5.2.1	Legacy Support Registers .....	31
<b>6.0</b>	<b>Electrical Ratings .....</b>	<b>33</b>
6.1	Absolute Maximum Ratings.....	33
6.2	DC Characteristics: VCC = 3.3V or 5.0V $\pm$ 5%, TA = 0°C to +70°C.....	33
6.3	AC Characteristics (Preliminary).....	34
6.3.1	PCI Bus AC Timings.....	34
6.3.2	USB AC Timings: Full Speed Source .....	35
6.3.3	USB AC Timings: Low Speed Source .....	36
<b>7.0</b>	<b>Mechanical Package Outlines.....</b>	<b>38</b>
<b>8.0</b>	<b>NAND Tree Test Mode .....</b>	<b>40</b>

---

## List of Figures

---

Figure 2-1	FireLink Block Diagram .....	1
Figure 3-1	LQFP Pin Diagram (Note) .....	5
Figure 4-1	USB Functional Block Diagram .....	12
Figure 6-1	Setup Timing Waveform .....	34
Figure 6-2	Hold Timing Waveform .....	34
Figure 6-3	Output Delay Timing Waveform.....	34
Figure 6-4	Differential Data Jitter .....	37
Figure 6-5	Differential to EOP Transition Skew and EOP Width.....	37
Figure 6-6	Receiver Jitter Tolerance .....	37
Figure 7-1	100-Pin Low-Profile Quad Flat Pack (LQFP).....	38
Figure 7-2	100-Pin Quad Flat Pack (QFP).....	39

## List of Figures (cont.)

---

## List of Tables

---

Table 2-1	Strapping Option Differences .....	2
Table 3-1	Signal Definitions Legend .....	4
Table 3-2	Numerical Pin Cross-Reference List .....	6
Table 4-1	PCI Controller Register Map .....	13
Table 4-2	Host Controller Register Map .....	14
Table 4-3	Legacy Support Register Map .....	16
Table 4-4	Emulated Registers and Side Effects .....	16
Table 5-1	PCICFG 00h-FFh .....	17
Table 5-2	MEMOFST 00h-5Ch .....	21
Table 5-3	MEMOFST 100h-1Fh (Legacy Support Registers) .....	31

## List of Tables (cont.)



# FireLink PCI-to-USB Bus Bridge

## 1.0 Features

- Fully compatible with USB OHCI specification
- Controls two USB ports
- USB 1.1 compliant
- Pin compatibility with the CMD<sup>®</sup> USB0670/3 PCI-USB Controller
- Implements CLKRUN# pin to support low power portable applications
- Supports OPTi IRQ Driveback Cycle to improve pin utilization and increase interrupt selection flexibility
- Core operates at 5.0V or 3.3V and is controlled by strap or register
- Two package types available:
  - 100-pin LQFP (Low-profile Quad Flat Pack)
  - 100-pin QFP (Quad Flat Pack)
- Low cost solution: enabling factor in USB market
- Multiple operating system support
  - Windows 95 OSR2 with USB supplement

- Windows 98
- Windows NT 5.0
- Windows CE

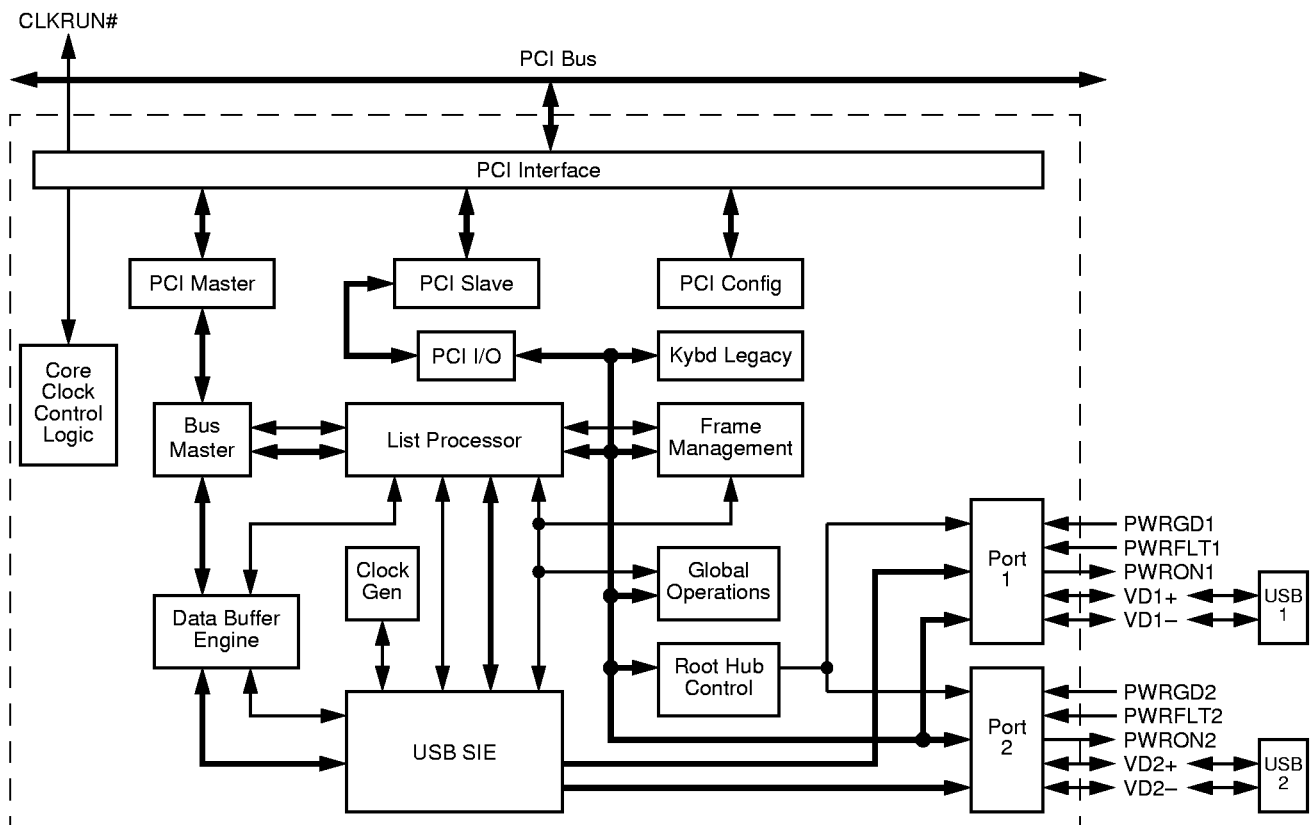
## 2.0 Overview

This document describes OPTi's FireLink (82C861) PCI-to-USB Bus Bridge for Silicon Revision 1.0. It details:

- How FireLink can be used as a direct replacement for the CMD<sup>®</sup> USB0670.
- Power Management
- Signal Definitions
- Strap Selectable Options
- Register Descriptions

Figure 2-1 shows a block diagram of FireLink.

**Figure 2-1 FireLink Block Diagram**



# FireLink

## 2.1 Replacing CMD® USB0670/3 with OPTi's 82C861 FireLink

FireLink (82C861) is a direct, pin-compatible upgrade for the CMD® USB0670/3 USB Controller. Like the CMD® part, FireLink implements two independent USB ports. FireLink additionally offers the following features:

- CLKRUN# pin, which allows the host chipset to keep the part in a very low power state most of the time. Start-up latency from this state is negligible.
- Supports both 5V and 3.3V operation from the same core. The operational voltage is selected by a strap option and can be overridden by register.

Pinouts for OPTi's 82C861 are congruent to CMD®'s USB0670/3. However, care must be taken to make sure that both the polarity is set correctly for all the signals and that the strapping options for the 82C861 are set correctly when replacing the USB0670/3.

**Table 2-1 Strapping Option Differences**

Pin #	CMD® 0670/3	OPTi Firelink	Comment
10	PWRFLT1	PWRFLT1	OPTi: Active High or Low (strap) CMD®: Active Low
23	PWRFLT2	PWRFLT2	OPTi: Active High or Low (strap) CMD®: Active Low
25	TEST0	TEST0	Strap Option: CMD®: Low=Operational OPTi: Low=5.0V Operation High=3.3V Operation When operating at 3.3V, requires pull-up.

### Operating Voltage

OPTi's FireLink can replace either the 5V or the 3.3V CMD part. Selecting the operating voltage can be done in two ways: by strapping the TEST0 pin or by writing to the PCI configuration register, PCICFG 52h[5].

Strapping TEST0 low causes FireLink to operate at 5V while strapping it high causes FireLink to operate at 3.3V.

Writing to the PCI configuration register overrides inputs to the TEST0 pin. Set PCICFG 52h[5] = 1 to operate FireLink at 5V. Set PCICFG 52h[5] = 0 to operate FireLink at 3.3V.

### Over-current detection

PWRFLT1 and PWRFLT2 each detects over-current faults on its respective USB port. In the OPTi Firelink, the active polarity on PWRFLT1 and PWRFLT2 are strapable. For active high, strap the pins low and for active low, strap the pins high. On the CMD part, the over-current detectors are active low. If FireLink replaces a CMD part, an external pull-up may be required to strap the FireLink to the correct polarity.

## 2.2 Power Management Features

FireLink revision 1.0 implements new power management features which can reduce the overall power consumed in mobile USB applications. Several key features include the following:

- PCI clock can be stopped using CLKRUN# control
- 48MHz USB clock can be stopped when FireLink is put into suspend
- USB I/O cells can be turned off while in suspend
- The ability to wake the system up from a USB resume event by using CLKRUN#

### 2.2.1 Enabling CLKRUN#

To enable FireLink to use CLKRUN# in a PCI system, the following PCI configuration registers need to be initialized to the fol-



lowing:

- PCICFG 50h[2] = 1 (enable CLKRUN# on host interface)
- PCICFG 50h[4] = 1 (enable power saving CLKRUN# mode)

## 2.2.2 Putting FireLink into Suspend State

Before a host system goes into a suspend state, the operating system should put the OHCI USB controller into USB suspend mode by writing to OHCI register MEMOFST 04h[7:6] = 11. After FireLink is put into suspend in this manner, additional steps can be taken to further reduce power consumption. One of these options is to stop the USB clock. If this route is taken, the USB clock must be stopped and started in a glitch free manner. Even though the USB clock is stopped, the system can be woken up by using CLKRUN# if it is enabled, which will be asserted on a USB wake up event (resume signaling, connect, disconnect). The USB I/O cells can also be disabled to reduce power by setting the PCI configuration register to the following value:

- PCICFG 50h[1:0] = 11

The I/O cells should be disabled by the BIOS before going into suspend, and re-enabled by the BIOS before giving control back to the operating system.



## 3.0 Signal Definitions

### 3.1 Terminology/Nomenclature Conventions

The “#” symbol at the end of a signal name indicates that the active, or asserted state occurs when the signal is at a low voltage level. When “#” is not present after the signal name, the signal is asserted when at the high voltage level.

The terms “assertion” and “negation” are used extensively. This is done to avoid confusion when working with a mixture of “active low” and “active high” signals. The term “assert”, or “assertion” indicates that a signal is active, independent of whether that level is represented by a high or low voltage. The term “negate”, or “negation” indicates that a signal is inactive.

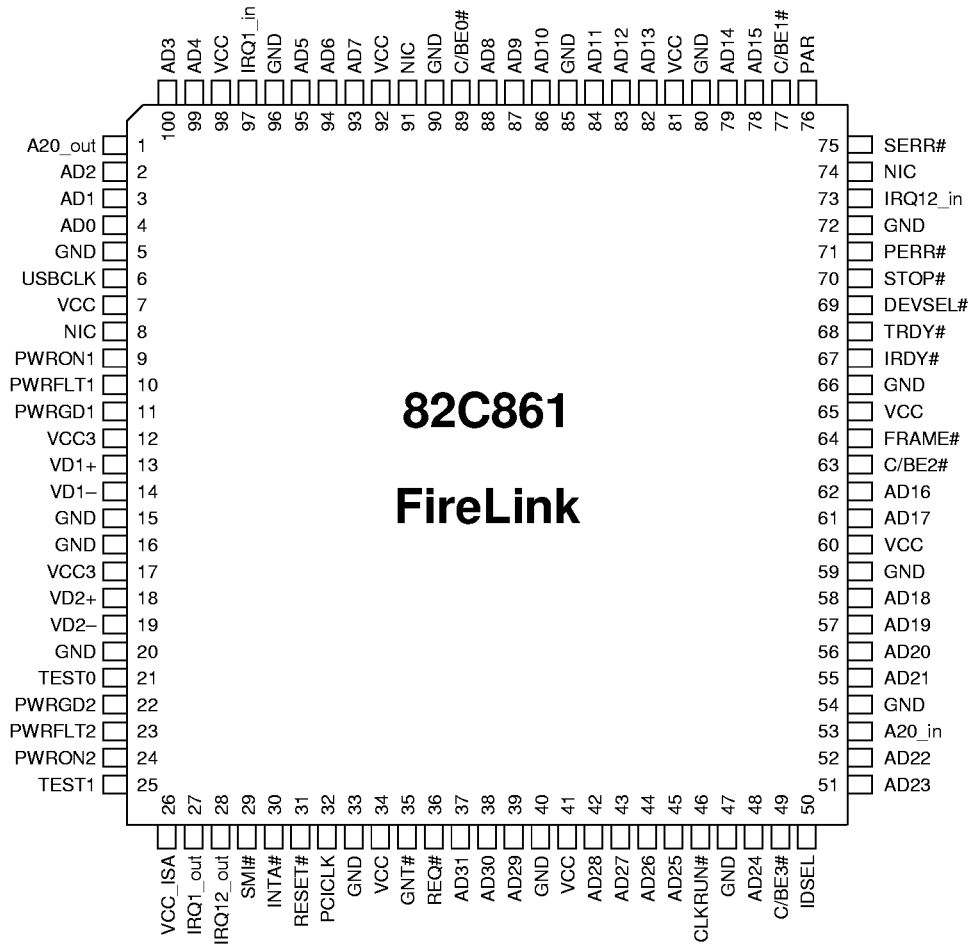
The tables in this section use several common abbreviations. Table 3-1 lists the mnemonics and their meanings. Note that TTL/CMOS/Schmitt-trigger levels pertain to inputs only. Outputs are driven at CMOS levels.

**Table 3-1 Signal Definitions Legend**

Mnemonic	Description
Analog	Analog-level compatible
CMOS	CMOS-level compatible
Dcdr	Decoder
Ext	External
G	Ground
I	Input
Int	Internal
I/O	Input/Output
Mux	Multiplexer
NIC	No Internal Connection
O	Output
OD	Open drain
P	Power
PD	Pull-down resistor
PU	Pull-up resistor
S	Schmitt-trigger
S/T/S	Sustain Tristate
TTL	TTL-level compatible

# FireLink

Figure 3-1 LQFP Pin Diagram (Note)



**Key:**

FireLink is a pin-compatible replacement for the CMD USB device, even though some of FireLink's pins are called out as NIC (No Internal Connection).

Pin 46 (CLKRUN#) can be connected to VCC if FireLink is used in a CMD-based system.

**Note:** Figure 3-1 shows a pin diagram of the 82C861 packaged in an LQFP (Low-profile Quad Flat Pack, square). The device is also available in a QFP (Quad Flat Pack, rectangular). The pin assignment remains the same.

Refer to Section 6.0, "Mechanical Package Outlines" for details regarding packaging.



**Table 3-2 Numerical Pin Cross-Reference List**

Pin No.	Signal Name	Power Plane	Pin No.	Signal Name	Power Plane	Pin No.	Signal Name	Power Plane
1	A20_out	VCC	41	VCC	VCC	81	VCC	VCC
2	AD2		42	AD28		82	AD13	
3	AD1		43	AD27		83	AD12	
4	AD0		44	AD26		84	AD11	
5	GND		45	AD25		85	GND	
6	USBCLK		46	CLKRUN#		86	AD10	
7	VCC		47	GND		87	AD9	
8	NIC		48	AD24		88	AD8	
9	PWRON1		49	C/BE3#		89	C/BE0#	
10	PWRFLT1		50	IDSEL		90	GND	
11	PWRGD1		51	AD23		91	NIC	
12	VCC3	VCC3	52	AD22		92	VCC	
13	VD1+		53	A20_in		93	AD7	
14	VD1-		54	GND		94	AD6	
15	GND	VCC	55	AD21		95	AD5	
16	GND		56	AD20		96	GND	
17	VCC3	VCC3	57	AD19		97	IRQ1_in	
18	VD2+		58	AD18		98	VCC	
19	VD2-		59	GND		99	AD4	
20	GND	VCC	60	VCC		100	AD3	
21	TEST0		61	AD17				
22	PWRGD2		62	AD16				
23	PWRFLT2		63	C/BE2#				
24	PWRON2		64	FRAME#				
25	TEST1		65	VCC				
26	VCC_ISA		66	GND				
27	IRQ1		67	IRDY#				
28	IRQ12		68	TRDY#				
29	SMI#		69	DEVSEL#				
30	INTA#	70	STOP#					
31	RESET#	71	PERR#					
32	PCICLK	72	GND					
33	GND	73	IRQ12_in					
34	VCC	74	NIC					
35	GNT#	75	SERR#					
36	REQ#	76	PAR					
37	AD31	77	C/BE1#					
38	AD30	78	AD15					
39	AD29	79	AD14					
40	GND	80	GND					

## 3.2 Signal Descriptions

### 3.2.1 Clock and Reset Interface Signals

Signal Name	Pin No.	Pin Type	Signal Description
PCICLK	32	I	<b>PCI Clock:</b> This input provides timing for all cycles on the host PCI bus; normally 33MHz. All other PCI signals are sampled on the rising edge of PCLK (timing parameters refer to this edge).
USBCLK	6	I	<b>USB Clock:</b> This input provides timing for USB data signals; normally 48MHz
RESET#	31	O	<p><b>Reset:</b> If RESET# is asserted for a minimum of 1<math>\mu</math>s, it causes the 82C861 to enter its default state (all registers are set to their default values).</p> <p>AD[31:0], C/BE[3:0]#, and PAR are always driven low by the 82C861 synchronously from the leading edge of RESET# and are always tristated from the trailing edge of RESET#.</p> <p>FRAME#, IRDY#, TRDY#, STOP#, and DEVSEL# are tristated from the leading edge of RESET# and remain so until driven as either a master or slave by the 82C861.</p> <p>RESET# may be asynchronous to PCLK when asserted or negated, however, negation must occur with a clean, bounce-free edge.</p>

### 3.2.2 PCI Bus Interface Signals

Signal Name	Pin No.	Pin Type	Signal Description
AD[31:0]	37:39, 42:45, 48, 51, 52, 55:58, 61, 62, 78, 79, 82:84, 86:88, 93:95, 99, 100, 2:4	I/O	<p><b>Address and Data Lines 31 through 0:</b> This bus carries the address and/or data during a PCI bus cycle. A PCI bus cycle has two phases - an address phase which is followed by one or more data phases. During the initial clock of the bus cycle, the AD bus contains a 32-bit physical byte address. AD[7:0] is the least significant byte (LSB) and AD[31:24] is the most significant byte (MBS). After the first clock of the cycle, the AD bus contains data.</p> <p>When the 82C861 is the target, AD[31:0] are inputs during the address phase. For the data phase(s) that follow, the 82C861 may supply data on AD[31:0] in the case of a read or accept data in the case of a write.</p> <p>When the 82C861 is the master, it drives a valid address on AD[31:2] during the address phase, and drives write or accepts read data on AD[31:0] during the data phase. As a master, the 82C861 always drives AD[1:0] low.</p>
C/BE[3:0]#	49, 63, 77, 89	I/O	<p><b>Bus Command and Byte Enables 3 through 0:</b> These signals provide the command type information during the address phase and carry the byte enable information during the data phase. C/BE0# corresponds to byte 0, C/BE1# to byte 1, C/BE2# to byte 2, and C/BE3# to byte 3.</p> <p>If the 82C861 is the initiator of a PCI bus cycle, it drives C/BE[3:0]#. When it is the target, it samples C/BE[3:0]#.</p>
PAR	76	O	<p><b>"Even" Parity:</b> The 82C861 calculates PAR for both the address and data phases of PCI cycles. PAR is valid one PCI clock after the associated address or data phase, but may or may not be valid for subsequent clocks. It is calculated based on 36 bits - AD[31:0] plus C/BE[3:0]#. "Even" parity means that the sum of the 36 bit values plus PAR is always an even number, even if one or more bits of C/BE[3:0]# indicate invalid data.</p>



Signal Name	Pin No.	Pin Type	Signal Description
FRAME#	64	I/O (s/t/s)	<p><b>Cycle Frame:</b> This signal is driven by the current PCI bus master to indicate the beginning and duration of an access. The master asserts FRAME# at the beginning of a bus cycle, sustains the assertion during data transfers, and then negates FRAME# in the final data phase.</p> <p>FRAME# is an input when the 82C861 is the target and an output when it is the initiator.</p> <p>FRAME# is tristated from the leading edge of RESET# and remains tristated until driven as either a master or slave by the 82C861.</p>
IRDY#	67	I/O (s/t/s)	<p><b>Initiator Ready:</b> IRDY#, along with TRDY#, indicates whether the 82C861 is able to complete the current data phase of the cycle. IRDY# and TRDY# are both asserted when a data phase is completed.</p> <p>During a write, the 82C861 asserts IRDY# to indicate that it has valid data on AD[31:0]. During a read, the 82C861 asserts IRDY# to indicate that it is prepared to accept data.</p> <p>IRDY# is an input when the 82C861 is a target and an output when it is the initiator.</p> <p>IRDY# is tristated from the leading edge of RESET# and remains tristated until driven as either a master or a slave by the 82C861.</p>
TRDY#	68	I/O (s/t/s)	<p><b>Target Ready:</b> TRDY#, along with IRDY#, indicates whether the 82C861 is able to complete the current data phase of the cycle. TRDY# and IRDY# are both asserted when a data phase is completed.</p> <p>When the 82C861 is acting as the target during read and write cycles, it performs in the following manner:</p> <ol style="list-style-type: none"> <li>1. During a read, the 82C861 asserts TRDY# to indicate that it has placed valid data on AD[31:0].</li> <li>2. During a write, the 82C861 asserts TRDY# to indicate that is prepared to accept data.</li> </ol> <p>TRDY# is an input when the 82C861 is the initiator and an output when it is the target.</p> <p>TRDY# is tristated from the leading edge of RESET# and remains so until driven as either a master or a slave by the 82C861.</p>
STOP#	70	I/O (s/t/s)	<p><b>Stop:</b> STOP# is an output when the 82C861 is the target and an input when it is the initiator. As the target, the 82C861 asserts STOP# to request that the master stop the current cycle. As the master, the assertion of STOP# by a target forces the 82C861 to stop the current cycle.</p> <p>STOP# is tristated from the leading edge of RESET# and remains so until driven by the 82C861 acting as a slave.</p>

# FireLink

Signal Name	Pin No.	Pin Type	Signal Description
DEVSEL#	69	I/O (s/t/s)	<p><b>Device Select:</b> The 82C861 claims a PCI cycle via positive decoding by asserting DEVSEL#. As an output, the 82C861 drives DEVSEL# for two different reasons:</p> <ol style="list-style-type: none"> <li>1. If the 82C861 samples IDSEL active in configuration cycles, DEVSEL# is asserted.</li> <li>2. When the 82C861 decodes an internal address or when it subtractively decodes a cycle, DEVSEL# is asserted</li> </ol> <p>When DEVSEL# is an input, it indicates the target's response to an 82C861 master-initiated cycle.</p> <p>DEVSEL# is tristated from the leading edge of RESET# and remains so until driven by the 82C861 acting as a slave.</p>
IDSEL	50	I	<p><b>Initialization Device Select:</b> This signal is the "chip select" during configuration read and write cycles. IDSEL is sampled by the 82C861 during the address phase of a cycle. If IDSEL is found to be active and the bus command is a configuration read or write, the 82C861 claims the cycle with DEVSEL#.</p>
PERR#	71	I/O	<p><b>Parity Error:</b> The 82C861 uses this line to report data parity errors during any PCI cycle except a Special Cycle.</p>
SERR#	75	I	<p><b>System Error:</b> The 82C861 uses this line to report address parity errors and data parity errors on the Special Cycle command, or any other system error where the result will be catastrophic.</p>
REQ#	36	O	<p><b>Bus Request:</b> REQ# is asserted by the 82C861 to request ownership of the PCI bus.</p>
GNT#	35	I	<p><b>Bus Grant:</b> GNT# is sampled by the 82C861 for an active low assertion, which indicates that it has been granted use of the PCI bus.</p>
CLKRUN#	46	I/O	<p><b>Clock Run:</b> The CLKRUN# function is available on this pin and can be used to reduce chip power consumption during idle periods. It is an I/O sustained tristate signal and follows the PCI 2.1 defined protocol.</p>
VCC		P	<p><b>Power:</b> If FireLink is being used in a CMD-based system, this pin can be connected to VCC.</p>

### 3.2.3 USB Interface Signals

Signal Name	Pin No.	Pin Type	Signal Description
VD1+	13	I/O	<b>Port 1 Positive Data Line</b>
VD1-	14	I/O	<b>Port 1 Negative Data Line</b>
VD2+	18	I/O	<b>Port 2 Positive Data Line</b>
VD2-	19	I/O	<b>Port 2 Negative Data Line</b>
PWRON1, PWRON2	9, 24	O	<b>Power On Lines 1 and 2:</b> These outputs are used to turn on the respective USB port's VCC power.
PWRFLT1, PWRFLT2	10, 23	I	<b>Power Fault Lines 1 and 2:</b> These inputs indicate that an over-current fault on each of the USB ports has occurred. Their polarity can be software controlled: strap low for active high, strap high for active low.

### 3.2.4 Legacy and Interrupt Interface Signals

Signal Name	Pin No.	Pin Type	Signal Description
A20_out	1	O	<b>Legacy gate A20 output:</b> Also used for strap option. This pin is also used as a strap option for chip/board level test configuration. Refer to Table 3-3 and Table 3.2.7.
A20_in	53	I	<b>Legacy gate A20 input</b>
SMI#	29	O	<b>System Management Interrupt:</b> This signal is used to request a System Management Mode (SMM) interrupt. It can be connected to a spare EPMI pin on the host chipset. If FireLink is used with an OPTi IRQ driveback-capable chipset, this connection is not needed.
INTA#	30	O	<b>PCI Interrupt A:</b> This signal can be connected to a PCI interrupt line. If FireLink is used with an OPTi IRQ driveback-capable chipset, this connection is not needed.
IRQ1_out	27	O	<b>Interrupt Request 1:</b> This pin should be tied to the keyboard interrupt going to the interrupt controller. If FireLink is used with an OPTi IRQ driveback-capable chipset, this connection is not needed.
IRQ12_out	28	O	<b>Interrupt Request 12:</b> This pin should be tied to the mouse interrupt going to the interrupt controller. If FireLink is used with an OPTi IRQ driveback-capable chipset, this connection is not needed.
IRQ1_in	97	I	<b>Legacy IRQ1 input.</b> The pin is tied to keyboard interrupt for legacy support.
IRQ12_in	73	I	<b>Legacy IRQ12 input.</b> The pin is tied to mouse interrupt for legacy support.

# FireLink

## 3.2.5 USB Power and Misc. Signals

Signal Name	Pin No.	Pin Type	Signal Description
PWRGD1	11	I, Analog (S)	<b>Power Good Line 1:</b> This schmitt-trigger analog input is used to sense the supply VCC power on USB port 1. (For VCC power greater than 4.0V, this line can be a logic input, on/off, or a resistor divider.)
PWRGD2	22	I, Analog (S)	<b>Power Good Line 2:</b> This schmitt-trigger analog input is used to sense the supply VCC power on USB port 2. (For VCC power greater than 4.0V, this line can be a logic input, on/off, or a resistor divider.)
GND/NIC	8		<b>Ground:</b> In a CMD-based system, this pin can remain connected to GND. <b>No Internal Connection:</b> FireLink makes this pin a “No Internal Connection” to allow future upgrade to FireBlast.
TEST0	21	I	<b>Test Line 0:</b> Strap option used for chip/board level test configuration. Refer to Table 3-3.
TEST1	25	I	<b>Test Line 1:</b> Strap option used for chip/board level test configuration. Refer to Table 3-3.

## 3.2.6 Power and Ground Pins

Signal Name	Pin No.	Pin Type	Signal Description
VCC	7, 34, 41, 53, 60, 65, 81, 92, 98	P	<b>5.0V or 3.3V Power Connection:</b> Core voltage is linked to the PCI interface voltage; either 3.3V or 5.0V is acceptable, however, 3.3V is recommended for lowest power consumption. Core voltage is indicated to the chip through a strap option, refer to Table 3-3. <b>Note:</b> If QFP packaging is selected, pin 53 becomes NIC (No Internal Connection).
VCC_ISA	26	P	<b>ISA Reference Voltage:</b> Supplies the reference voltage for pins 27 (IRQ1) and 28 (IRQ12). If IRQ1 and IRQ12 are not used, connect VCC_ISA to the VCC power plane.
VCC3	12, 17	P	<b>3.3V Power Connection</b>
GND	5, 15, 16, 20, 33, 40, 47, 54, 59, 66, 72, 80, 85, 90, 96	G	<b>Ground Connection</b>

## 3.2.7 Firelink 82C861 Strapping Options

A20_out (Pin 1)	Test1 (Pin 25)	Test0 (Pin 21)	Mode
0	0	0	Operational mode - PCI voltage = 5V
1	0	0	Operational mode - PCI voltage = 5V
1	0	1	Operational mode - PCI voltage = 3.3V
0	0	1	Tristate test
0	1	0	Drive even pins high and odd pins low
0	1	1	Drive odd pins high and even pins low
1	1	0	TXD Test Mode. Test mode to bring out internal TXDSE0 signal on TEST1 pin (Pin 25) and internal TXD signal on TEST0 pin (pin 21)
1	1	1	NAND tree test



## 4.0 Functional Description

### 4.1 Universal Serial Bus (USB)

The 82C861 supports a PCI-based implementation of Universal Serial Bus utilizing the OpenHCI standard developed by Compaq, Microsoft, and National Semiconductor.

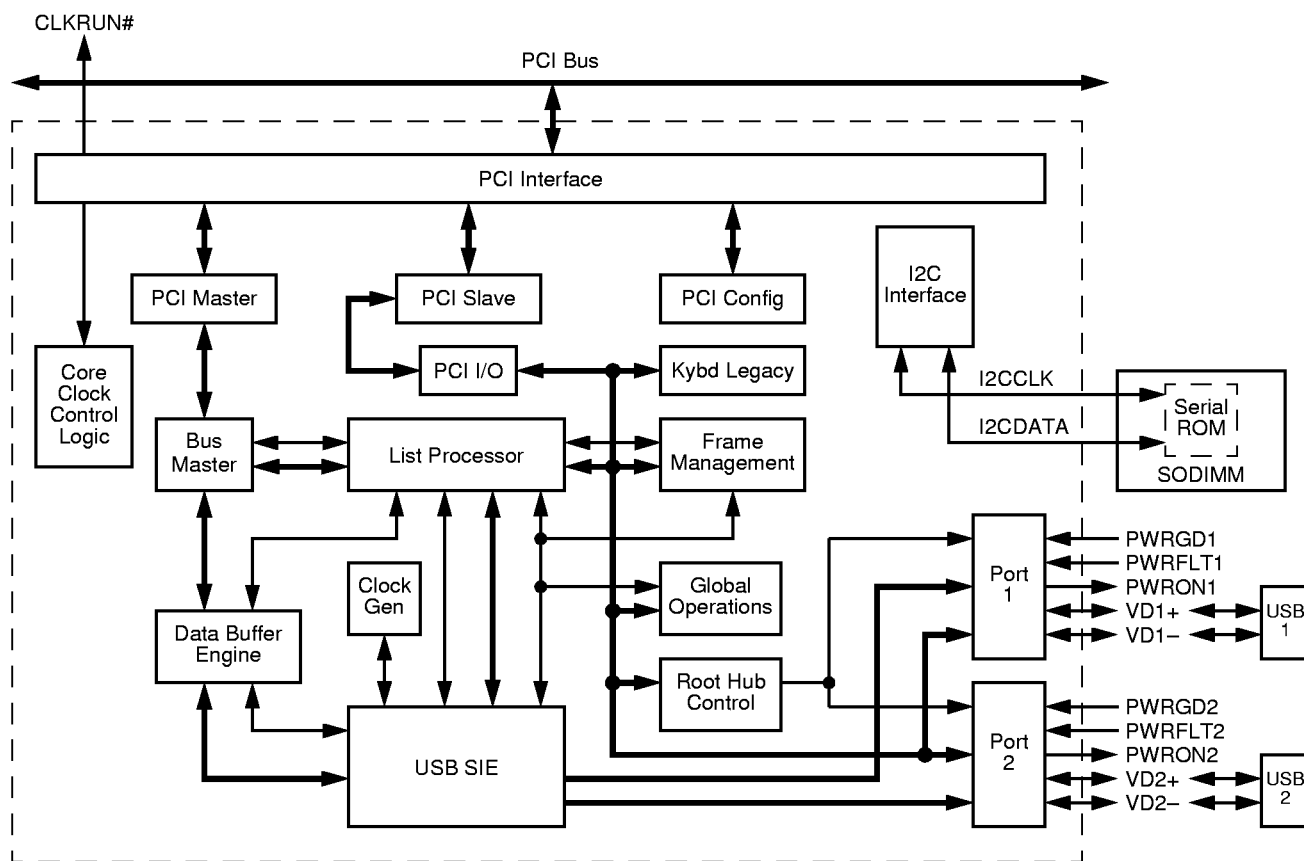
The USB core contains an integrated root hub that can support up to two downstream USB hubs or devices. The USB implementation consists of the root hub, PCI interface controller, and USB host controller. Keyboard and mouse legacy support are also included for DOS compatibility with USB devices.

This document must be used along with the following public domain reference documents to get the complete functional description of the USB core implementation.

- USB Specification, Revision 1.1
- OpenHCI Specification, Revision 1.0a
- PCI Specification, Version 2.1

A functional block diagram of the USB core implementation is given in Figure 4-1.

**Figure 4-1 USB Functional Block Diagram**



## 4.1.1 PCI Controller

The PCI controller interfaces the host controller to the PCI bus. As a master, the PCI controller is responsible for running cycles on the PCI bus on behalf of the host controller. As a target, the PCI controller monitors the cycles on the PCI bus and determines when to respond to these cycles. The USB core is a PCI target when it decodes cycles to its internal PCI configuration registers or to its internal PCI memory mapped I/O registers. The PCI USB controller asserts DEVSEL# in medium decode timing to claim a PCI transaction.

The configuration space of the PCI controller is accessed through Mechanism #1 as Bus #0, Device #X (Device # depends on which AD line is connected to the IDSEL input), Function #0, hereafter referred to as PCICFG.

Table 4-1 gives a register map for the PCICFG register space. Refer to Section 5.1, "PCICFG Register Space" for detailed bit information.

**Table 4-1 PCI Controller Register Map**

PCICFG	R/W	Register Name
00h-01h	RO	Vendor ID
02h-03h	RO	Device ID
04h-05h	R/W	Command
06h-07h	R/W	Status
08h	RO	Revision ID
09h-0Bh	RO	Class Code
0Ch	R/W	Cache Line Size
0Dh	R/W	Master Latency Timer
0Eh	RO	Header Type
0Fh	--	Reserved
10h-13h	R/W	Base Address Register 0
14h-2Bh	--	Reserved
2Ch-2Dh	RO	Subsystem Vendor
2Eh-2Fh	RO	Subsystem ID
30h-3Bh	--	Reserved
3Ch	R/W	Interrupt Line
3Dh	R/W	Interrupt Pin
3Eh	R/W	Minimum Grant
3Fh	R/W	Maximum Latency
40h-43h	--	Reserved
44h-4Dh	--	Reserved
4Eh	R/W	I <sup>2</sup> C Control
4Fh	--	Reserved
50h	R/W	PCI Host Feature Control
51h	R/W	Interrupt Assignment
52h	R/W	Strapping OFF/ON option overrides
53h	--	Reserved

PCICFG	R/W	Register Name
54h-57h	R/W	IRQ Driveback Address
58h-6Bh	--	Reserved
6Ch-6Fh	R/W	Test Mode Enable



## 4.1.2 Host Controller

This block is the operational control block in the USB core. It is responsible for the host controller operational states (Suspend, Disabled, Enabled), special USB signaling (Reset, Resume), status, interrupt control, and host controller configuration information.

The host controller (HC) interface registers are PCI memory mapped I/O, hereafter referred to as MEMOFST. Table 4-2 gives a register map for the MEMOFST register space. Refer to Section 5.2, "Host Controller Register Space" for detailed bit information.

**Table 4-2 Host Controller Register Map**

MEMOFST	R/W	Register Name
00h-03h	RO	HcRevision
04h-07h	R/W	HcControl
08h-0Bh	R/W	HcCommandStatus
0Ch-0Fh	R/W	HcInterruptStatus
10h-13h	R/W	HcInterrupt Enable
14h-17h	R/W	HcInterrupt Disable
18h-1Bh	R/W	HcHCCA
1Ch-1Fh	R/W	HcPeriodCurrentED
20h-23h	R/W	HcControlHeadED
24h-27h	R/W	HcControlCurrentED
28h-2Bh	R/W	HcBulkHeadED
2Ch-2Fh	R/W	HcBulkCurrentED
30h-33h	R/W	HcDoneHead
34h-37h	R/W	HcFmInterval
38h-3Bh	R/W	HcFrameRemaining
3Ch-3Fh	R/W	HcFmNumber
40h-43h	R/W	HcPeriodicStart
44h-47h	R/W	HcLSThreshold
48h-4Bh	R/W	HcRhDescriptorA
4Ch-4Fh	R/W	HcRhDescriptorB
50h-53h	R/W	HcRhStatus
54h-57h	R/W	HcRhPort1Status
58h-5Bh	R/W	HcRhPort2Status

## 4.1.3 Legacy Support

Four registers are provided for legacy support:

- HceControl
  - Used to enable and control the emulation hardware and report various status information.
- HceInput

- Emulation side of the legacy Input Buffer register.
- HceOutput
  - Emulation side of the legacy Output Buffer register where keyboard and mouse data is to be written by software.
- HceStatus
  - Emulation side of the legacy Status register.

These registers are located in the Host Controller Register Space; from MEMOFST 100h through 10Fh. Table 4-3 shows a register map of these registers. Refer to Section 5.2.1, "Legacy Support Registers" for detailed bit information.

**Table 4-3 Legacy Support Register Map**

MEMOFST	R/W	Register Name
100h-103h	R/W	HceControl
104h-107h	R/W	HceInput
108h-10Bh	R/W	HceOutput
10Ch-10Fh	R/W	HceStatus

## 4.1.4 Intercept Port 60h and 64h Accesses

The HceStatus, HceInput, and HceOutput registers are accessible at I/O Ports 60h and 64h when emulation is enabled. Reads and writes to these registers using the I/O Ports does have some side effects as shown in Table 4-4. However, accessing these registers directly through their memory address produces no side effects.

When emulation is enabled, I/O accesses of Ports 60h and 64h must be handled by the Host Controller (HC). The HC must be positioned in the system so that it can do a positive decode of accesses to Ports 60h and 64h on the PCI bus. If a keyboard controller is present in the system, it must either use subtractive decode or have provisions to disable its decode of Ports 60h and 64h. If the legacy keyboard controller uses positive decode and is turned off during emulation, it must be possible for the emulation code to quickly re-enable and disable the legacy keyboard controller's Port 60h and 64h decode. This is necessary to support a mixed operating environment.

**Table 4-4 Emulated Registers and Side Effects**

<b>Register Contents Accessed/Modified</b>	<b>Side Effect</b>
HceOutput	<ul style="list-style-type: none"><li>• A read from Port 60h will set the Output Full bit (MEMOFST 10Ch[0]) to 0.</li></ul>
HceInput	<ul style="list-style-type: none"><li>• A write to Port 60h will set the Input Full bit (MEMOFST 10Ch[1]) to 1 and the Cmd Data bit (MEMOFST 10Ch[3]) to 0.</li><li>• A write to Port 64h will set the: Input Full bit (MEMOFST 10Ch[1]) to 0 and the Cmd Data bit (MEMOFST 10Ch[3]) to 1.</li></ul>
HceStatus	<ul style="list-style-type: none"><li>• A read from Port 64h returns the current value of the HceStatus register.</li></ul>

## 5.0 Register Descriptions

The 82C861 has three types of register spaces:

1. PCI Configuration Register Space
2. Host Controller Register Space
3. I/O Register Space

The subsections that follow detail the locations and access mechanisms for the registers located within these register spaces.

**Notes:** 1. All bits/registers are read/write and their default value is 0 unless otherwise specified.

2. All reserved bits/registers MUST be written to 0 unless otherwise specified.

## 5.1 PCICFG Register Space

The configuration space of the PCI USB controller is accessed through Mechanism #1 as Bus #0, Device #X (Device # depends on which AD line is connected to the IDSEL input), Function #0, hereafter referred to as PCICFG. The bit formats for these registers are described in Table 5-1.

**Table 5-1 PCICFG 00h-FFh**

7	6	5	4	3	2	1	0	
<b>PCICFG 00h Vendor Identification Register (RO)</b>								<b>Default = 45h</b>
<b>PCICFG 01h</b>								<b>Default = 10h</b>
<b>PCICFG 02h Device Identification Register (RO)</b>								<b>Default = 61h</b>
<b>PCICFG 03h</b>								<b>Default = C8h</b>
<b>PCICFG 04h Command Register - Byte 0</b>								<b>Default = 00h</b>
Wait cycle control: USB core does not need to insert a wait state between address and data on the AD lines. This bit is always 0.	PERR# (response) detection enable bit: 0 = PERR# not asserted 1 = USB core asserts PERR# when it is the receiving data agent and it detects a data parity error.	VGA palette snooping: This bit is always 0.	Postable memory write command: Not used when USB core is a master. This bit is always 0.	Special Cycles: USB core does not run Special Cycles on PCI. This bit is always 0.	USB core can run PCI master cycles: 0 = Disable 1 = Enable	USB core responds as a target to memory cycles. 0 = Disable 1 = Enable	USB core responds as a target to I/O cycles: 0 = Disable 1 = Enable	
<b>PCICFG 05h Command Register - Byte 1</b>								<b>Default = 00h</b>
Reserved: These bits are always 0.						Back-to-back enable: USB core only acts as a master to a single device, so this functionality is not needed. This bit is always 0.	SERR# (response) detection enable bit: 0 = SERR# not asserted 1 = USB core asserts SERR#	
<b>PCICFG 06h Status Register - Byte 0</b>								<b>Default = 80h</b>

**Table 5-1 PCICFG 00h-FFh (cont.)**

7	6	5	4	3	2	1	0
Reserved: These bits are always 0.							
Fast back-to-back capability: USB core supports fast back-to-back transactions when transactions are not to same agent. This bit is always 1.							
<b>PCICFG 07h Status Register - Byte 1 Default = 02h</b>							
<b>Detected parity error:</b> This bit is set to 1 whenever the USB core detects a parity error, even if PCICFG 04h[6] is disabled. Write 1 to clear.	<b>SERR# status:</b> This bit is set to 1 whenever the USB core detects a PCI address parity error. Write 1 to clear.	<b>Received master abort status:</b> Set to 1 when the USB core, acting as a PCI master, aborts a PCI bus memory cycle. Write 1 to clear.	<b>Received target abort status:</b> This bit is set to 1 when a USB core generated PCI cycle (USB core is the PCI master) is aborted by a PCI target. Write 1 to clear.	<b>Signaled target abort status:</b> This bit is set to 1 when the USB core signals target abort. Write 1 to clear.	<b>DEVSEL timing (RO):</b> Indicates DEVSEL# timing when performing a positive decode. Since DEVSEL# is asserted to meet the medium timing, these bits are encoded as 01.		<b>Data parity reported:</b> Set to 1 if PCICFG 04h[6] is set and the USB core detects PERR# asserted while acting as PCI master (whether PERR# was driven by USB core or not.)
<b>PCICFG 08h Revision Identification Register (RO) Default = 10h</b>							
<b>PCICFG 09h PCICFG 0Ah PCICFG 0Bh Class Code Register (RO) Default = 10h Default = 03h Default = 0Ch</b>							
<b>PCICFG 0Ch Cache Line Size Register Default = 00h</b>							
<b>PCICFG 0Dh Master Latency Timer Register Default = 00h</b>							
<b>PCICFG 0Eh Header Type Register (RO) Default = 00h</b>							
<b>PCICFG 0Fh Reserved Default = 00h</b>							
<b>PCICFG 10h-13h Base Address Register 0 Default = 00h</b>							
This register identifies the base address of a contiguous memory space in main memory. POST will write all 1s to this register, then read back the value to determine how big of a memory space is requested. After allocating the requested memory, POST will write the upper bytes with the base address. Bits [31:0] correspond to: 10h = [7:0], 11h = [15:8], 12h = [23:16], 13h = [31:24]. - Bit [0] - Indicates that the operational registers are mapped into memory space. Always = 0. - Bits [2:1] - Indicates that the base register is 32 bits wide and can be placed anywhere in 32-bit memory space. Always = 0. - Bit [3] - Indicates no support for prefetchable memory. Always = 0. - Bits [11:4] - Indicates a 4K byte address range is requested, Always = 0. - Bits [31:12] - Base Address: Post writes the value of the memory base address to this register.							
<b>PCICFG 14h-2Bh Reserved Default = 00h</b>							



**Table 5-1 PCICFG 00h-FFh (cont.)**

7	6	5	4	3	2	1	0
<b>PCICFG 2Ch-2Dh Subsystem Vendor Register (RO) Default = 00h</b> Subsystem Vendor - Bits [15:0] correspond to: 2Ch = [7:0], 2Dh = [15:8]. - This register can be written to when PCICFG 50h[3] = 0.							
<b>PCICFG 2Eh-2Fh Subsystem ID Register (RO) Default = 00h</b> Subsystem ID - Bits [15:0] correspond to: 2Eh = [7:0], 2Fh = [15:8]. - This register can be written to when PCICFG 50h[3] = 0.							
<b>PCICFG 30h-3Bh Reserved Default = 00h</b>							
<b>PCICFG 3Ch Interrupt Line Register Default = 00h</b> This register identifies which of the system interrupt controllers the device's interrupt pin is connected to. The value of this register is used by device drivers and has no direct meaning to the USB core.							
<b>PCICFG 3Dh Interrupt Pin Register Default = 01h</b> This register identifies which interrupt pin a device uses. Since the USB core uses INTA#, this value is set to 01h.							
<b>PCICFG 3Eh Minimum Grant Register (RO) Default = 00h</b> Reserved							
<b>PCICFG 3Fh Maximum Latency Register (RO) Default = 00h</b> Reserved							
<b>PCICFG 40h-43h Reserved Default = 00h</b> These registers are for internal testing purposes. Do not write to these registers.							
<b>PCICFG 44h-4Dh Reserved Default = 00h</b>							
<b>PCICFG 4Eh I<sup>2</sup>C Control Register Default = 00h</b>							
Reserved	Test 0, Test 1 1 = I/O buffer enabled 0 = disabled	Reads back I <sup>2</sup> C data output bit (bit 2) (RO)	Reads back I <sup>2</sup> C clock output bit (bit 1) (RO)	I <sup>2</sup> C data output: 0 = Output 0 1 = Output 1	I <sup>2</sup> C clock output: 0 = Output 0 1 = Output 1	I <sup>2</sup> C control: 0 = Disable 1 = Enable	
<b>PCICFG 4Fh Reserved Default = 00h</b>							
<b>PCICFG 50h PCI Host Feature Control Register Default = 00h</b>							
		CLKRUN# control when enabled (PCICFG 50[2] = 1) 0 = Normal 1 = Power saving mode (default = 0)	Subsystem Vendor ID Register (PCICFG 2Ch) control: 0= Read-Only 1= Writable	CLKRUN# on host interface): 0 = Disabled, CLKRUN# tristated 1 = Enabled per PCI	Port 2 output: 0 = Enable 1 = Disable (Controls USB I/O cells to save power)	Port 1 output: 0 = Enable 1 = Disable (Controls USB I/O cells to save power)	
<b>PCICFG 51h Interrupt Assignment Register Default = 01h</b>							



# FireLink

**Table 5-1 PCICFG 00h-FFh (cont.)**

7	6	5	4	3	2	1	0
Host controller type: 0 = Viper-N+ (send single data phase on IRQ drive-back) 1 = FireStar (burst two data phases)	IRQ Driveback: 0 = Disable 1 = Enable	Reserved	Interrupt Assignment (PCIRQ0# Default) - Interrupts from the USB are mapped to this interrupt. Note that if an IRQ (an edge-mode interrupt) is selected, this IRQ must be programmed to Level mode on the host chipset.				
			<b>Level Mode:</b>				
			00000 = Disabled		00110 = ACPI1		
			01011 = ACPI6				
			00001 = PCIRQ0# (Default)		00111 = ACPI2		
			01100 = ACPI7				
			00010 = PCIRQ1#		01000 = ACPI3		
			01101 = ACPI8				
			00011 = PCIRQ2#		01001 = ACPI4		
			01110 = ACPI9				
			00100 = PCIRQ3#		01010 = ACPI5		
			01111 = ACPI10				
			00101 = ACPI0				
			<b>Edge Mode:</b>				
			10000 = IRQ0		10110 = IRQ6		
			11011 = IRQ11				
			10001 = IRQ1		10111 = IRQ7		
			11100 = IRQ12				
			10010 = IRQ2		11000 = IRQ8		
			11101 = IRQ13				
			10011 = IRQ3		11001 = IRQ9		
			11110 = IRQ14				
			10100 = IRQ4		11010 = IRQ10		
			11111 = IRQ15				
			10101 = IRQ5				
<b>PCICFG 52h Strap Option Override</b>							
Reserved		PCI Voltage 0 = 3.3V 1 = 5V (default = 1)	Reserved	Test Mode 0 = Operational 1 = TXD test mode (default = 0)	PWRFLT2 polarity 1 = Low 0 = High (default = 1)	PWRFLT1 polarity 1 = Low 0 = High (default = 1)	PWRON1 & PWRON2 polarity 1 = Low 0 = High (default = 0)
<b>PCICFG 53h Reserved Default = 00h</b>							
<b>PCICFG 54h-57h IRQ Driveback Address Register - Byte 0: Address Bits [7:0] Default = 33333330h</b>							
IRQ Driveback Protocol Address Bits: Bits [31:0] correspond to: 54h = [7:0], 55h = [15:8], 56h = [23:16], 57h = [31:24].							
<ul style="list-style-type: none"> <li>- When the FireLink/FireBlast logic must generate an interrupt from any source, it follows the IRQ Driveback Protocol and toggles the REQ# line to the host. Once it has the bus, it writes the changed IRQ information to the 32-bit I/O address specified in this register. The host interrupt controller claims this cycle and latches the new IRQ values.</li> <li>- Bits 1:0 are reserved to be 00 and are read-only.</li> </ul>							
<b>PCICFG 58h-6Bh Reserved Default = 00h</b>							
<b>PCICFG 6Ch-6Fh Test Mode Enable Register Default = 00h</b>							
Reserved							



## 5.2 Host Controller Register Space

This register space is the operational control block in the USB core. It is responsible for the host controller operational states (Suspend, Disabled, Enabled), special USB signaling (Reset, Resume), status, interrupt control, and host controller configuration information.

The host controller (HC) interface registers are PCI memory mapped I/O, hereafter referred to as MEMOFST. The bit formats for these registers are described in Table 5-2.

**Table 5-2 MEMOFST 00h-5Ch**

7	6	5	4	3	2	1	0
<b>MEMOFST 00h HcRevision Register (RO) Default = 10h</b> <b>MEMOFST 01h-03h Default = 000001h</b> Bits [31:0] correspond to: 00h = [7:0], 01h = [15:8], 02h = [23:16], 03h = [31:24] - Bits [7:0] Revision - Indicates the Open HCI Specification revision number implemented by hardware (X.Y = XYh). FireLink support Specification 1.0. - Bits [31:8] Reserved							
<b>MEMOFST 04h HcControl Register - Byte 0 Default = 00h</b>							
HC Functional State: 00 = USB Reset 01 = USB Resume 10 = USB Operational 11 = USB Suspend The HC may force a state change from USB Suspend to USB Resume after detecting resume signaling from a downstream port.		Processing of Bulk List: 0 = Disable 1 = Enable	Processing of Control List: 0 = Disable 1 = Enable	Disable Isochronous List when Periodic List is enabled: <sup>(1)</sup> 0 = Yes 1 = No	Processing of Periodic (interrupt and isochronous) List: 0 = Disable 1 = Enable The HC checks this bit prior to attempting any periodic transfers in a frame.	Control Bulk Service Ratio: Specifies the number of control endpoints serviced for every bulk endpoint. Encoding is N-1 where N is the number of control endpoints (i.e., 00 = 1 control endpoint; 11 = 4 control endpoints).	
(1) Disabling the Isochronous List when the Periodic List is enabled allows interrupt endpoint descriptors to be serviced. While processing the Period List, the HC will check bit 3 when it finds an isochronous endpoint descriptor.							
<b>MEMOFST 05h HcControl Register - Byte 1 Default = 00h</b>							
Reserved				Remote Wakeup Connected Enable: If a remote wakeup signal is supported, this bit is used to enable that operation. Since there is no remote wakeup signal supported, this bit is ignored.	Remote Wakeup Connected (RO): Indicates whether the HC supports a remote wakeup signal. This implementation does not support any such signal. The bit is hardcoded to 0.	Interrupt Routing: 0 = Interrupts routed to normal interrupt mechanism (INTA#) 1 = Interrupts routed to SMI Also see PCICFG 51h	
<b>MEMOFST 06h-07h HcControl Register - Bytes 2 &amp; 3 Default = 00h</b> Reserved							
<b>MEMOFST 08h HcCommandStatus Register - Byte 0 Default = 00h</b>							

**Table 5-2 MEMOFST 00h-5Ch**

7	6	5	4	3	2	1	0
Reserved				<b>Ownership Change Request:</b> When set by software, this bit sets the Ownership Change bit (MEMOFST 0Fh[6]). Cleared by software.	<b>Bulk List has an active endpoint descriptor?(<sup>1</sup>)</b> 0 = No 1 = Yes	<b>Control List has an active endpoint descriptor?(<sup>1</sup>)</b> 0 = No 1 = Yes	<b>HC Reset:</b> Writing a 1 initiates a software reset. This bit is cleared by the HC upon completion of reset operation.
(1) The bit may be set by either software or the HC. It is cleared by the HC each time it begins processing the head of the list (Bulk List for bit 2, Control List for bit 1)							
<b>MEMOFST 09h HcCommandStatus Register - Byte 1 Default = 00h</b>							
Reserved							
<b>MEMOFST 0Ah HcCommandStatus Register - Byte 2 Default = 00h</b>							
Reserved						<b>Schedule Overrun Count:</b> This field increments every time the Scheduling Overrun bit (MEMOFST 0Ch[0] is set. The count wraps from 11 to 00.	
<b>MEMOFST 0Bh HcCommandStatus Register - Byte 3 Default = 00h</b>							
Reserved							
<b>MEMOFST 0Ch HcInterrupt Status Register - Byte 0* Default = 00h</b>							
Reserved	<b>Root Hub Status Change:</b> This bit is set when the content of HcRh Status (50h-53h) or the content of any HcRhPort Status Register (54h-5Bh) has changed.	<b>Frame Number Overflow:</b> This bit is set when MEMOFST 3Ch[15] (Frame Number Register) changes from 0-to-1 or from 1-to-0.	<b>Unrecoverable Error:</b> This event is not implemented and is hardcoded to 0. All writes are ignored.	<b>Resume Detected:</b> This bit is set when the HC detects resume signaling on a downstream port.	<b>Start of Frame:</b> This bit is set when the Frame Management block signals a "Start of Frame" event.	<b>Writeback Done Head:</b> This bit is set after the Host Controller has written HcDoneHead to HccaDoneHead.	<b>Scheduling Overrun occurred?</b> 0 = No 1 = Yes
<b>MEMOFST 0Dh-0Eh HcInterruptStatus Register - Bytes 1 &amp; 2 Default = 00h</b>							
Reserved							
<b>MEMOFST 0Fh HcInterruptStatus Register - Byte 3* Default = 00h</b>							
Reserved	<b>Ownership Change:</b> This bit is set when the Ownership Change Request bit (MEMOFST 08h[3]) is set.	Reserved					
* Writing a 1 to a bit in this register clears the corresponding bit, while writing a 0 leaves the bit unchanged.							



**Table 5-2 MEMOFST 00h-5Ch**

7	6	5	4	3	2	1	0	
<b>MEMOFST 10h HcInterruptEnable Register - Byte 0*</b>								<b>Default = 00h</b>
Reserved	Allow interrupt generation due to Root Hub Status Change: 0 = Ignore 1 = Enable	Allow interrupt generation due to Frame Number Overflow: 0 = Ignore 1 = Enable	Reserved All writes to this bit are ignored.	Allow interrupt generation due to Resume Detected: 0 = Ignore 1 = Enable	Allow interrupt generation due to Start of Frame: 0 = Ignore 1 = Enable	Allow interrupt generation due to Writeback Done Head: 0 = Ignore 1 = Enable	Allow interrupt generation due to Scheduling Overrun: 0 = Ignore 1 = Enable	
<b>MEMOFST 11h-12h HcInterruptEnable Register - Bytes 1 &amp; 2</b>								<b>Default = 00h</b>
Reserved								
<b>MEMOFST 13h HcInterruptEnable Register - Byte 3*</b>								<b>Default = 00h</b>
Master interrupt generation: 0 = Ignore 1 = Allows all interrupts to be enabled in 10h-13h.	Allow interrupt generation due to Ownership Change: 0 = Ignore 1 = Enable	Reserved						
* Writing a 1 to a bit in this register sets the corresponding bit, while writing a 0 leaves the bit unchanged.								
<b>MEMOFST 14h HcInterruptDisable Register - Byte 0*</b>								<b>Default = 00h</b>
Reserved	Allow interrupt generation due to Root Hub Status Change: 0 = Ignore 1 = Disable	Allow interrupt generation due to Frame Number Overflow: 0 = Ignore 1 = Disable	Reserved All writes to this bit are ignored.	Allow interrupt generation due to Resume Detected: 0 = Ignore 1 = Disable	Allow interrupt generation due to Start of Frame: 0 = Ignore 1 = Disable	Allow interrupt generation due to Writeback Done Head: 0 = Ignore 1 = Disable	Allow interrupt generation due to Scheduling Overrun: 0 = Ignore 1 = Disable	
<b>MEMOFST 15h-16h HcInterruptDisable Register - Bytes 1 &amp; 2</b>								<b>Default = 00h</b>
Reserved								
<b>MEMOFST 17h HcInterruptDisable Register - Byte 3*</b>								<b>Default = 00h</b>
Master interrupt generation: 0 = Ignore 1 = Allows all interrupts to be disabled in 10h-13h.	Allow interrupt generation due to Ownership Change: 0 = Ignore 1 = Disable	Reserved						
* Writing a 1 to a bit in this register clears the corresponding bit, while writing a 0 leaves the bit unchanged.								
<b>MEMOFST 18h-1Bh HcHCCA Register</b>								<b>Default = 00h</b>
Bits [31:0] correspond to: 18h = [7:0], 19h = [15:8], 1Ah = [23:16], 1Bh = [31:24]. - Bits [7:0] Reserved - Bits [31:8] Pointer to HCCA base address								
<b>MEMOFST 1Ch-1Fh HcPeriodCurrentED Register</b>								<b>Default = 00h</b>
Bits [31:0] correspond to: 1Ch = [7:0], 1Dh = [15:8], 1Eh = [23:16], 1Fh = [31:24]. - Bits [3:0] Reserved - Bits [31:4] Pointer to current Periodic List End Descriptor								



**Table 5-2 MEMOFST 00h-5Ch**

7	6	5	4	3	2	1	0
<p><b>MEMOFST 20h-23h</b> <span style="float: right;"><b>HcControlHeadED Register</b></span> <span style="float: right;"><b>Default = 00h</b></span></p> <p>Bits [31:0] correspond to: 20h = [7:0], 21h = [15:8], 22h = [23:16], 23h = [31:24].</p> <ul style="list-style-type: none"> <li>- Bits [3:0] Reserved</li> <li>- Bits [31:4] Pointer to current Control List Head End Descriptor</li> </ul>							
<p><b>MEMOFST 24h-27h</b> <span style="float: right;"><b>HcControlCurrent ED</b></span> <span style="float: right;"><b>Default = 00h</b></span></p> <p>Bits [31:0] correspond to: 24h = [7:0], 25h = [15:8], 26h = [23:16], 27h = [31:24].</p> <ul style="list-style-type: none"> <li>- Bits [3:0] Reserved</li> <li>- Bits [31:4] Pointer to current End Descriptor in Control List</li> </ul>							
<p><b>MEMOFST 28h-2Bh</b> <span style="float: right;"><b>HcBulkHeadED Register</b></span> <span style="float: right;"><b>Default = 00h</b></span></p> <p>Bits [31:0] correspond to: 28h = [7:0], 29h = [15:8], 2Ah = [23:16], 2Bh = [31:24].</p> <ul style="list-style-type: none"> <li>- Bits [3:0] Reserved</li> <li>- Bits [31:4] Pointer to current Bulk List Head End Descriptor in Control List</li> </ul>							
<p><b>MEMOFST 2Ch-2Fh</b> <span style="float: right;"><b>HcBulkCurrentED Register</b></span> <span style="float: right;"><b>Default = 00h</b></span></p> <p>Bits [31:0] correspond to: 2Ch = [7:0], 2Dh = [15:8], 2Eh = [23:16], 2Fh = [31:24].</p> <ul style="list-style-type: none"> <li>- Bits [3:0] Reserved</li> <li>- Bits [31:4] Pointer to current Bulk List End Descriptor</li> </ul>							
<p><b>MEMOFST 30h-33h</b> <span style="float: right;"><b>HcDoneHead Register</b></span> <span style="float: right;"><b>Default = 00h</b></span></p> <p>Bits [31:0] correspond to: 30h = [7:0], 31h = [15:8], 32h = [23:16], 33h = [31:24].</p> <ul style="list-style-type: none"> <li>- Bits [3:0] Reserved</li> <li>- Bits [31:4] Pointer to current Done List Head End Descriptor</li> </ul>							
<p><b>MEMOFST 34h-37h</b> <span style="float: right;"><b>HcFmInterval Register</b></span> <span style="float: right;"><b>Default =</b></span></p> <p>Bits [31:0] correspond to: 34h = [7:0], 35h = [15:8], 36h = [23:16], 37h = [31:24].</p> <ul style="list-style-type: none"> <li>- Bits [13:0] Frame Interval - These bits specify the length of a frame as (bit times – 1). For 12,000 bit times in a frame, a value of 11,999 is stored here. (Default = 2EDFh)</li> <li>- Bits [15:14] Reserved</li> <li>- Bits [30:16] FS Largest Data Packet: These bits specify a value which is loaded into the Largest Data Packet Counter at the beginning of each frame.</li> <li>- Bit 31 Frame Interval Toggle - This bit is toggled by HCD whenever it loads a new value into the Frame Interval bits (bits [13:0]).</li> </ul>							
<p><b>MEMOFST 38h-3Bh</b> <span style="float: right;"><b>HcFrameRemaining Register</b></span> <span style="float: right;"><b>Default = 00h</b></span></p> <p>Bits [31:0] correspond to: 38h = [7:0], 39h = [15:8], 3Ah = [23:16], 3Bh = [31:24].</p> <ul style="list-style-type: none"> <li>- Bits [13:0] Frame Remaining (RO) - This 14-bit decrementing counter is used to time a frame. When the HC is in the USB Operational state, the counter decrements each 12MHz clock period. When the count reaches 0, the end of a frame has been reached. The counter reloads with Frame Interval (MEMOFST 34h[13:0]) at that time. In addition, the counter loads when the HC transitions into the USB Operational state.</li> <li>- Bits [30:14] Reserved</li> <li>- Bit 31 Frame Remaining Toggle (RO) - This bit is loaded with Frame Interval Toggle (MEMOFST 34h[31]) when Frame Remaining (bits [13:0]) is loaded.</li> </ul>							

**Table 5-2 MEMOFST 00h-5Ch**

7	6	5	4	3	2	1	0						
<p><b>MEMOFST 3Ch-3Fh HcFmNumber Register Default = 00h</b></p> <p>Bits [31:0] correspond to: 3Ch = [7:0], 3Dh = [15:8], 3Eh = [23:16], 3Fh = [31:24].</p> <ul style="list-style-type: none"> <li>- Bits [15:0] Frame Number (RO) - This 16-bit incrementing counter is incremented coincident with the load of Frame Remaining (MEMOFST 38h[13:0]). The count will roll over from FFFh to 0h.</li> <li>- Bits [31:16] Reserved</li> </ul>													
<p><b>MEMOFST 40h-43h HcPeriodicStart Register Default = 00h</b></p> <p>Bits [31:0] correspond to: 40h = [7:0], 41h = [15:8], 42h = [23:16], 43h = [31:24].</p> <ul style="list-style-type: none"> <li>- Bits [13:0] Periodic Start - These bits are used by the List Processor to determine where in a frame the Periodic List processing must begin.</li> <li>- Bits [31:14] Reserved</li> </ul>													
<p><b>MEMOFST 44h-47h HcLSThreshold Register Default = 00h</b></p> <p>Bits [31:0] correspond to: 44h = [7:0], 45h = [15:8], 46h = [23:16], 47h = [31:24].</p> <ul style="list-style-type: none"> <li>- Bits [11:0] LS Threshold - These bits contain a value used by the Frame Management Block to determine whether or not a low speed transaction can be started in the current frame.</li> <li>- Bits [31:12] Reserved</li> </ul>													
<p><b>MEMOFST 48h HcRhDescriptorA Register - Byte 0 (RO) Default = 02h</b></p> <p>Number Downstream Ports - The USB core supports two downstream ports.</p>													
<p><b>MEMOFST 49h HcRhDescriptorA Register - Byte 1 Default = 00h</b></p> <table border="1" style="width: 100%; border-collapse: collapse;"> <tr> <td style="width: 25%; text-align: center;">Reserved</td> <td style="width: 12.5%;">                     No Over-current Protection:<sup>(1)</sup>                      0 = Over-current status is reported                      1 = Over-current status is not reported                 </td> <td style="width: 12.5%;">                     Over-current Protection Mode:                      0 = Global over-current                      1 = Individual Over-Current                      This bit is only valid when bit 4 is cleared.                      This bit should be written to 0.                 </td> <td style="width: 12.5%;">                     Device Type (RO):                      The USB core is not a compound device.                 </td> <td style="width: 12.5%;">                     No Power Switching:<sup>(1)</sup>                      0 = Ports are powered switched                      1 = Ports are always powered on                 </td> <td style="width: 12.5%;">                     Power Switching Mode:                      0 = Global switching                      1 = Individual switching                      This bit is only valid when bit 1 is cleared.                      This bit should be written to 0.                 </td> </tr> </table>								Reserved	No Over-current Protection: <sup>(1)</sup> 0 = Over-current status is reported 1 = Over-current status is not reported	Over-current Protection Mode: 0 = Global over-current 1 = Individual Over-Current This bit is only valid when bit 4 is cleared. This bit should be written to 0.	Device Type (RO): The USB core is not a compound device.	No Power Switching: <sup>(1)</sup> 0 = Ports are powered switched 1 = Ports are always powered on	Power Switching Mode: 0 = Global switching 1 = Individual switching This bit is only valid when bit 1 is cleared. This bit should be written to 0.
Reserved	No Over-current Protection: <sup>(1)</sup> 0 = Over-current status is reported 1 = Over-current status is not reported	Over-current Protection Mode: 0 = Global over-current 1 = Individual Over-Current This bit is only valid when bit 4 is cleared. This bit should be written to 0.	Device Type (RO): The USB core is not a compound device.	No Power Switching: <sup>(1)</sup> 0 = Ports are powered switched 1 = Ports are always powered on	Power Switching Mode: 0 = Global switching 1 = Individual switching This bit is only valid when bit 1 is cleared. This bit should be written to 0.								
<p>(1) Bits 4 and 1 should be written to support the external system port over-current and switching implementations.</p>													
<p><b>MEMOFST 4Ah HcRhDescriptorA Register - Byte 2 Default = 00h</b></p> <p style="text-align: center;">Reserved</p>													
<p><b>MEMOFST 4Bh HcRhDescriptorA Register - Byte 3 Default = 01h</b></p> <p>Power-On to Power-Good Time</p> <ul style="list-style-type: none"> <li>- The USB core power switching is effective within 2ms. The field value is represented as the number of 2ms intervals. This field should be written to support the system implementation. This field should always be written to a non-zero value.</li> </ul>													

**Table 5-2 MEMOFST 00h-5Ch**

7	6	5	4	3	2	1	0			
<p><b>MEMOFST 4Ch-4Dh HcRhDescriptorB Register - Bytes 0 &amp; 1 Default = 00h</b></p> <p>Bits [15:0] correspond to: 4Ch = [7:0], 4Dh = [15:8].</p> <ul style="list-style-type: none"> <li>- Bit 0 Reserved</li> <li>- Bits [15:1] Device Removable - USB core ports default to removable devices: 0 = Device not removable 1 = Device removable</li> </ul> <p>Bit 15 corresponds to Port 15, Bit 14 corresponds to Port 14, the remaining bits follow suit. Unimplemented ports are reserved.</p>										
<p><b>MEMOFST 4Eh-4Fh HcRhDescriptorB Register- Bytes 2 &amp; 3 Default = 00h</b></p> <p>Bits [15:0] correspond to: 4Eh = [7:0], 4Fh = [15:8].</p> <ul style="list-style-type: none"> <li>- Bit 0 Reserved</li> <li>- Bits [15:1] Port Power Control Mask: Bit 15 corresponds to Port 15, Bit 14 corresponds to Port 14, the remaining bits follow suit. Unimplemented ports are reserved. 0 = Device not removable 1 = Global power mask</li> </ul> <p>This field is only valid if No Power Switching bit (MEMOFST 49h[1]) is cleared and Power Switching Mode Bit (MEMOFST 49h[0]) is set (individual port switching). When set, the port only responds to individual port power switching commands (Set/ClearPortPower, MEMOFST 54h[1:0] and 58h[1:0]). When cleared, the port only responds to global power switching commands (Set/ClearGlobalPower, MEMOFST 52h[0] and 50h[0]).</p>										
<p><b>MEMOFST 50h HcRhStatus Register - Byte 0 Default = 00h</b></p> <table border="1" style="width: 100%; border-collapse: collapse;"> <tr> <td style="width: 60%; text-align: center; vertical-align: top;">Reserved</td> <td style="width: 20%; vertical-align: top;">Over-current Indicator (RO);<sup>(1)</sup> Reflects state of OVCR pin. 0 = No over-current condition 1 = Over-current condition</td> <td style="width: 20%; vertical-align: top;"><u>Read:</u> Local Power Status Not supported. Always read 0. <u>Write:</u> Clear Global Power 0 = No effect 1 = Issue Clear Global Power command to ports</td> </tr> </table>								Reserved	Over-current Indicator (RO); <sup>(1)</sup> Reflects state of OVCR pin. 0 = No over-current condition 1 = Over-current condition	<u>Read:</u> Local Power Status Not supported. Always read 0. <u>Write:</u> Clear Global Power 0 = No effect 1 = Issue Clear Global Power command to ports
Reserved	Over-current Indicator (RO); <sup>(1)</sup> Reflects state of OVCR pin. 0 = No over-current condition 1 = Over-current condition	<u>Read:</u> Local Power Status Not supported. Always read 0. <u>Write:</u> Clear Global Power 0 = No effect 1 = Issue Clear Global Power command to ports								
<p>(1) Bit 1 is only valid if the No Over-current Protection (MEMOFST 49h[4]) and Over-current Protection Mode (MEMOFST 49h[3]) bits are cleared.</p>										
<p><b>MEMOFST 51h HcRhStatus Register - Byte 1 Default = 00h</b></p> <table border="1" style="width: 100%; border-collapse: collapse;"> <tr> <td style="width: 15%; vertical-align: top;"> <u>Read:</u> Device Remote Wake-up Enable<sup>(1)</sup> 0 = Disabled 1 = Enabled <u>Write:</u> Set Remote Wake-up Enable 0 = No effect 1 = Sets Device Remote Wakeup Enable                 </td> <td style="width: 85%; text-align: center; vertical-align: top;">Reserved</td> </tr> </table>								<u>Read:</u> Device Remote Wake-up Enable <sup>(1)</sup> 0 = Disabled 1 = Enabled <u>Write:</u> Set Remote Wake-up Enable 0 = No effect 1 = Sets Device Remote Wakeup Enable	Reserved	
<u>Read:</u> Device Remote Wake-up Enable <sup>(1)</sup> 0 = Disabled 1 = Enabled <u>Write:</u> Set Remote Wake-up Enable 0 = No effect 1 = Sets Device Remote Wakeup Enable	Reserved									
<p>(1) Allows ports' Connect Status Change Bit (MEMOFST 56h[0] for Port 1 and MEMOFST 59h[0] for Port 2) as a remote wakeup event.</p>										



**Table 5-2 MEMOFST 00h-5Ch**

7	6	5	4	3	2	1	0
<b>MEMOFST 52h HcRhStatus Register - Byte 2 Default = 00h</b>							
Reserved						Over-current Indicator Change This bit is set when the Over-current Indicator bit (MEMOFST 50h[1]) changes. Write 1 to clear	<u>Read:</u> Local Power Status Change Not supported. Always read 0 <u>Write:</u> Set Global Power 0 = No effect 1 = Issue Set Global Power command to ports
<b>MEMOFST 53h HcRhStatus Register - Byte 3 Default = 00h</b>							
Clear Remote Wakeup Enable (WO) 0 = No effect 1 = Clear Device Remote Wakeup Enable bit (MEMOFST 51h[7])	Reserved						
<b>MEMOFST 54h HcRhPort1Status Register - Byte 0 Default = 00h</b>							
Reserved		<u>Read:</u> Port Reset Status 0 = Port reset status signal not active 1 = Port reset signal active <u>Write:</u> Set Port Reset 0 = No effect 1 = Sets Port Reset Status	<u>Read:</u> Port Over-current Indicator <sup>(1)</sup> 0 = No over-current condition 1 = Over-current condition <u>Write:</u> Clear Port Suspend 0 = No effect 1 = Initiates selective resume sequence for the port	<u>Read:</u> Port Suspend Status 0 = Port is not suspended 1 = Port is selectively suspended <u>Write:</u> Set Port Suspend 0 = No effect 1 = Sets Port Suspend Status	<u>Read:</u> Port Enable Status 0 = Port disabled 1 = Port enabled <u>Write:</u> Set Port Enable 0 = No effect 1 = Sets Port Enable Status	<u>Read:</u> Current Connect Status 0 = No device connected 1 = Device connected. <sup>(2)</sup> <u>Write:</u> Clear Port Enable 0 = No effect 1 = Clears Port Enable Status bit (bit 1)	
(1) The USB core supports global over-current reporting. This bit reflects the state of the OVRCUR pin dedicated to this port. This bit is only valid if the No Over-current Protection (MEMOFST 49h[4]) bit is cleared and Over-current Protection Mode (MEMOFST 49h[3]) bit is set. (2) If the Device Removable bits (MEMOFST 4Ch[15:0]) are set (not removable), bit 0 is always 1.							

**Table 5-2 MEMOFST 00h-5Ch**

7	6	5	4	3	2	1	0
MEMOFST 55h <span style="float:right">HcRhPort1Status Register - Byte 1</span> <span style="float:right">Default = 00h</span>							
Reserved						<u>Read:</u> Low Speed Device Attached <sup>(1)</sup> 0 = Full speed device 1 = Low speed device <u>Write:</u> Clear Port Power 0 = No effect 1 = Clears Port Power Status (bit 0)	<u>Read:</u> Port Power Status <sup>(2)</sup> 0 = Port power is off 1 = Port power is on <u>Write:</u> Set Port Power 0 = No effect 1 = Sets Port Power Status
(1) Bit 1 defines the speed (and bus idle) of the attached device. It is only valid when Current Connect Status (MEMOFST 54h[0]) bit is set. (2) Bit 0 reflects the power state of the port regardless of the power switching mode. If the No Power Switching (MEMOFST 49h[1]) bit is set, bit 0 is always read as 1.							
MEMOFST 56h <span style="float:right">HcRhPort1Status Register - Byte 2</span> <span style="float:right">Default = 00h</span>							
Reserved		Port Reset Status Change 0 = Port reset is not complete 1 = Port reset is complete	Port Over-current Indicator Change This bit is set when the Over-current Indicator (MEMOFST 50h[1]) bit changes. Write 1 to clear	Port Suspend Status Change Indicates the completion of the selective resume sequence for the port. 0 = Port is not resumed 1 = Port resume is complete	Port Enable Status Change Indicates that the port has been disabled due to a hardware event (cleared Port Enable Status, MEMOFST 54h[1]). 0 = Port has not been disabled 1 = Port Enable Status has been cleared	Connect Status Change Indicates a connect or disconnect event has been detected. 0 = No connect/disconnect event 1 = Hardware detection of connect/disconnect event <sup>(1)</sup> Write 1 to clear	
(1) If the Device Removable Bits (MEMOFST 4Ch[15:1]) are set, bit 0 resets to 1.							
MEMOFST 57h <span style="float:right">HcRhPort1Status Register - Byte 3</span> <span style="float:right">Default = 00h</span>							
Reserved							

**Table 5-2 MEMOFST 00h-5Ch**

7	6	5	4	3	2	1	0	
<b>MEMOFST 58h</b>		<b>HcRhPort2Status Register - Byte 0</b>					<b>Default = 00h</b>	
Reserved		<u>Read:</u> Port Reset Status 0 = Port reset status signal not active 1 = Port reset signal active <u>Write:</u> Set Port Reset 0 = No effect 1 = Sets Port Reset Status	<u>Read:</u> Port Over-current Indicator <sup>(1)</sup> 0 = No over-current condition 1 = Over-current condition <u>Write:</u> Clear Port Suspend 0 = No effect 1 = Initiates selective resume sequence for the port	<u>Read:</u> Port Suspend Status 0 = Port is not suspended 1 = Port is selectively suspended <u>Write:</u> Set Port Suspend 0 = No effect 1 = Sets Port Suspend Status	<u>Read:</u> Port Enable Status 0 = Port disabled 1 = Port enabled <u>Write:</u> Set Port Enable 0 = No effect 1 = Sets Port Enable Status	<u>Read:</u> Current Connect Status 0 = No device connected 1 = Device connected. <sup>(2)</sup> <u>Write:</u> Clear Port Enable 0 = No effect 1 = Clears Port Enable Status bit (bit 1)		
(1) The USB core supports global over-current reporting. This bit reflects the state of the OVRCUR pin dedicated to this port. This bit is only valid if the No Over-current Protection (MEMOFST 49h[4]) bit is cleared and Over-current Protection Mode (MEMOFST 49h[3]) bit is set. (2) If the Device Removable bits (MEMOFST 4Ch[15:0]) are set (not removable), bit 0 is always 1.								
<b>MEMOFST 59h</b>		<b>HcRhPort2Status Register - Byte 1</b>					<b>Default = 00h</b>	
Reserved					<u>Read:</u> Low Speed Device Attached <sup>(1)</sup> 0 = Full speed device 1 = Low speed device <u>Write:</u> Clear Port Power 0 = No effect 1 = Clears Port Power Status (bit 0)	<u>Read:</u> Port Power Status <sup>(2)</sup> 0 = Port power is off 1 = Port power is on <u>Write:</u> Set Port Power 0 = No effect 1 = Sets Port Power Status		
(1) Bit 1 defines the speed (and bus idle) of the attached device. It is only valid when Current Connect Status (MEMOFST 54h[0]) bit is set. (2) Bit 0 reflects the power state of the port regardless of the power switching mode. If the No Power Switching (MEMOFST 49h[1]) bit is set, bit 0 is always read as 1.								



**Table 5-2 MEMOFST 00h-5Ch**

7	6	5	4	3	2	1	0	
<b>MEMOFST 5Ah</b>		<b>HcRhPort2Status Register - Byte 2</b>					<b>Default = 00h</b>	
Reserved		Port Reset Status Change 0 = Port reset is not complete 1 = Port reset is complete	Port Over-current Indicator Change This bit is set when the Over-current Indicator (MEMOFST 50h[1]) bit changes. Write 1 to clear	Port Suspend Status Change Indicates the completion of the selective resume sequence for the port. 0 = Port is not resumed 1 = Port resume is complete	Port Enable Status Change Indicates that the port has been disabled due to a hardware event (cleared Port Enable Status, MEMOFST 54h[1]). 0 = Port has not been disabled 1 = Port Enable Status has been cleared	Connect Status Change Indicates a connect or disconnect event has been detected. 0 = No connect/disconnect event 1 = Hardware detection of connect/disconnect event <sup>(1)</sup> Write 1 to clear		
(1) If the Device Removable Bits (MEMOFST 4Ch[15:1]) are set, bit 0 resets to 1.								
<b>MEMOFST 5Bh</b>		<b>HcRhPort2 Status Register - Byte 3</b>					<b>Default = 00h</b>	
Reserved								



## 5.2.1 Legacy Support Registers

Four registers are provided for legacy support:

- HceControl
  - Used to enable and control the emulation hardware and report various status information.
- HceInput
  - Emulation side of the legacy Input Buffer register.
- HceOutput
  - Emulation side of the legacy Output Buffer register where keyboard and mouse data is to be written by software.
- HceStatus
  - Emulation side of the legacy Status register.

These registers are located in the Host Controller Register Space; from MEMOFST 100h through 10Fh. The bit formats for these registers are described in Table 5-3.

Refer to Section 4.1.3, "Legacy Support" for information when accessing these registers when emulation is enabled.

**Table 5-3 MEMOFST 100h-1Fh (Legacy Support Registers)**

7	6	5	4	3	2	1	0
<b>MEMOFST 100h HceControl Register - Byte 0 Default = 00h</b>							
<b>IRQ12 Active</b> Indicates that a positive transition of IRQ12 from kybrd controller has occurred.  Writing a 1 clears this bit, while writing a 0 leaves it unchanged.	<b>IRQ1 Active</b> Indicates that a positive transition of IRQ1 from kybrd controller has occurred.  Writing a 1 clears this bit, while writing a 0 leaves it unchanged.	<b>GateA20 Sequence</b> Set by HC when a data value of D1h is written to Port 64h.  Cleared by HC on write to Port 64h of any value other than D1h.	<b>External IRQEn</b> IRQ1 and IRQ12 from kybrd controller causes emulation interrupt: 0 = Disable 1 = Enable  This bit is independent of the Emulation Enable bit (bit 0) setting.	<b>IRQEn</b> If the Output Full bit (MEMOFST 10Ch[0]) = 1, HC generates IRQ1 or IRQ12.  If the Aux Output Full bit (MEMOFST 10Ch[5]) = 0, HC generates IRQ1; if = 1, HC generates IRQ12.  0 = Disable 1 = Enable	<b>Character Pending</b> HC generates emulation interrupt when the Output Full bit (MEMOFST 10Ch[0]) = 0.  0 = Disable 1 = Enable	<b>Emulation Interrupt (RO)</b> A static decode of the emulation interrupt condition.	<b>Emulation Enable</b> HC is enabled for legacy emulation?  0 = No 1 = Yes <sup>(1)</sup>
(1) The HC decodes accesses to Ports 60h/64h and generates IRQ1 and/or IRQ12 when appropriate. Additionally, the HC generates an emulation interrupt at appropriate times to invoke the emulation software.							
<b>MEMOFST 101h HceControl Register - Byte 1 Default = 00h</b>							
Reserved						<b>A20 State:</b> Indicates current state of Gate A20 on kybrd controller. Used to compare against value written to Port 60h when GateA20 Sequence is active.	
<b>MEMOFST 102h-103h HceControl Register - Bytes 2 &amp; 3 Default = 00h</b>							
Reserved							

**Table 5-3 MEMOFST 100h-1Fh (Legacy Support Registers)**

7	6	5	4	3	2	1	0
<b>MEMOFST 104h HceInput Register - Bytes 0 Default = 00h</b> Input Data: - I/O data that is written to Ports 60h and 64h is captured in this register. <b>Note:</b> Refer to Table 4-4, "Emulated Registers and Side Effects," on page 18 if emulation is enabled.							
<b>MEMOFST 105h-107h HceInput Register - Bytes 1-3 Default = 00h</b> Reserved							
<b>MEMOFST 108h HceOutput Register - Bytes 0 Default = 00h</b> Output Data: - This register hosts data that is returned when an I/O read of Port 60h is performed by application software. <b>Note:</b> Refer to Table 4-4, "Emulated Registers and Side Effects," on page 18 if emulation is enabled.							
<b>MEMOFST 109h-10Bh HceOutput Register - Bytes 1-3 Default = 00h</b> Reserved							
<b>MEMOFST 10Ch HceStatus Register - Byte 0 Default = 00h</b>							
<b>Parity</b> Indicates parity error on keyboard/mouse data.	<b>Time-out</b> Used to indicate a time-out	<b>Aux Output Full</b> Assert IRQ12 if Output Full bit (MEMOFST 10Ch[0]) = 1 and IRQEn bit (MEMOFST 100h[3]) = 1? 0 = No 1 = Yes	<b>Inhibit Switch</b> Reflects state of the keyboard inhibit switch: 0 = Inhibited 1 = Not inhibited	<b>Cmd Data</b> HC sets this bit on I/O writes to Ports 60h and 64h: 0 = Port 60h 1 = Port 64h	<b>Flag</b> Nominally used as a system flag by software to indicate a warm or cold boot.	<b>Input Full</b> HC sets this bit to 1 on an I/O write to Port 60h or 64h except for the case of a GateA20 Sequence. While set to 1 and emulation is enabled (MEMOFST 100h[0] = 1), an emulation interrupt condition exists.	<b>Output Full</b> HC sets this bit to 0 on a read of Port 60h. While this bit is 0 and the Character Pending bit (MEMOFST 100h[2]) = 1, an emulation interrupt condition exists. Setting this bit to 1 will generate either IRQ1 or IRQ12 under certain conditions <sup>(1)</sup> .
(1) If the IRQEn bit (MEMOFST 100h[3]) = 1 and Aux Output Full bit (MEMOFST 10Ch[5]) = 0: IRQ1 is generated. If the IRQEn bit (MEMOFST 100h[3]) = 1 and Aux Output Full bit (MEMOFST 10Ch[5]) = 1: IRQ12 is generated. <b>Note:</b> Refer to Table 4-4, "Emulated Registers and Side Effects," on page 18 if emulation is enabled.							
<b>MEMOFST 10Dh-10Fh HceStatus Register - Bytes 1-3 Default = 00h</b> Reserved							

## 6.0 Electrical Ratings

Stresses above those listed in the following tables may cause permanent damage to the device. These are stress ratings only and functional operation of the device at these or any other conditions above those indicated in the operational sections of this specification are not implied.

### 6.1 Absolute Maximum Ratings

Symbol	Parameter	5.0 Volt		3.3 Volt		Unit
		Min	Max	Min	Max	
VCC	Supply Voltage		+6.5		+4.0	V
VI	Input Voltage	-0.5	VCC + 0.5	-0.5	VCC + 0.5	V
VO	Output Voltage	-0.5	VCC + 0.5	-0.5	VCC + 0.5	V
TOP	Operating Temperature	0	+70	0	+70	°C
TSTG	Storage Temperature	-40	+125	-40	+125	°C

### 6.2 DC Characteristics: VCC = 3.3V or 5.0V ±5%, TA = 0°C to +70°C

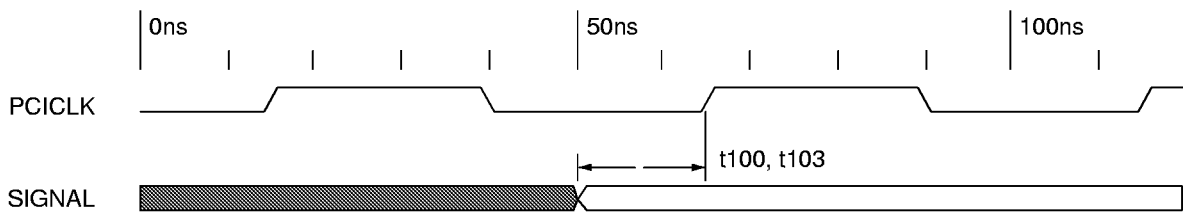
Symbol	Parameter	Min	Max	Unit	Condition
VIL	Input low Voltage	-0.5	+0.8	V	
VIH	Input high Voltage	+2.0	VCC + 0.5	V	
VOL	Output low Voltage		+0.4	V	IOL = 4.0mA
VOH	Output high Voltage	+2.4		V	IOH = -1.6mA
IIL	Input Leakage Current		+10.0	µA	VIN = VCC
IOZ	Tristate Leakage Current		+10.0	µA	
CIN	Input Capacitance		+10.0	pF	
COUT	Output Capacitance		+10.0	pF	
ICC	Power Supply Current: 3.3V Core		45mA typical during Normal operation, below 1mA at Standby		

## 6.3 AC Characteristics (Preliminary)

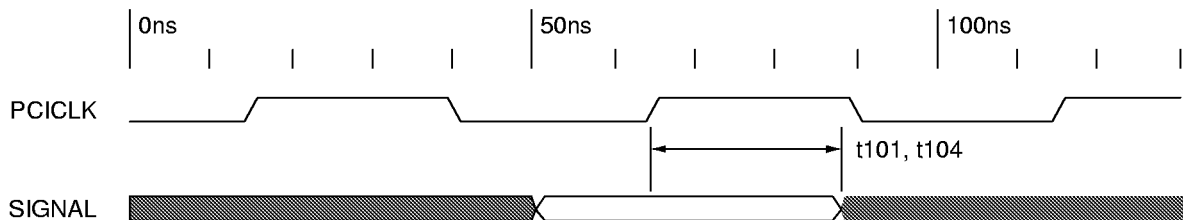
### 6.3.1 PCI Bus AC Timings

Sym	Parameter	Min	Max	Unit	Figure
t100	C/BE[3:0]#, AD[31:0], FRAME#, IRDY#, TRDY#, STOP#, DEVSEL#, LOCK#, PAR, SERR#, PERR# setup time to PCICLK rising	7		ns	6-1
t101	C/BE[3:0]#, AD[31:0], FRAME#, IRDY#, TRDY#, STOP#, DEVSEL#, LOCK#, PAR, SERR#, PERR# hold time from PCICLK rising	0		ns	6-2
t102	C/BE[3:0]#, AD[31:0], FRAME#, IRDY#, TRDY#, STOP#, DEVSEL#, LOCK#, PAR, SERR#, PERR# valid delay from PCICLK rising	2	11	ns	6-3
t103	REQ# setup time to PCICLK rising	12		ns	6-1
t104	REQ# hold time from PCICLK rising	0		ns	6-2
t105	GNT# valid delay from PCICLK rising	2	12	ns	6-3

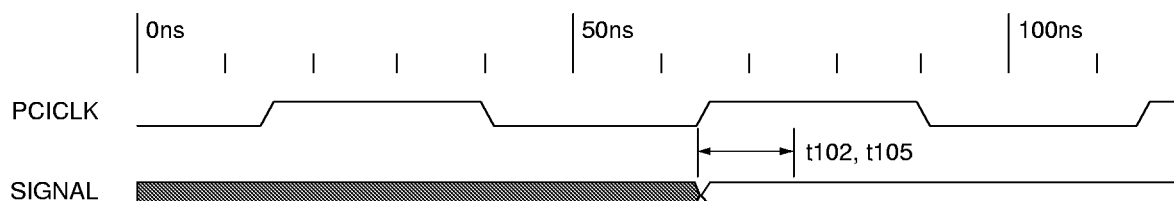
**Figure 6-1 Setup Timing Waveform**



**Figure 6-2 Hold Timing Waveform**



**Figure 6-3 Output Delay Timing Waveform**



### 6.3.2 USB AC Timings: Full Speed Source

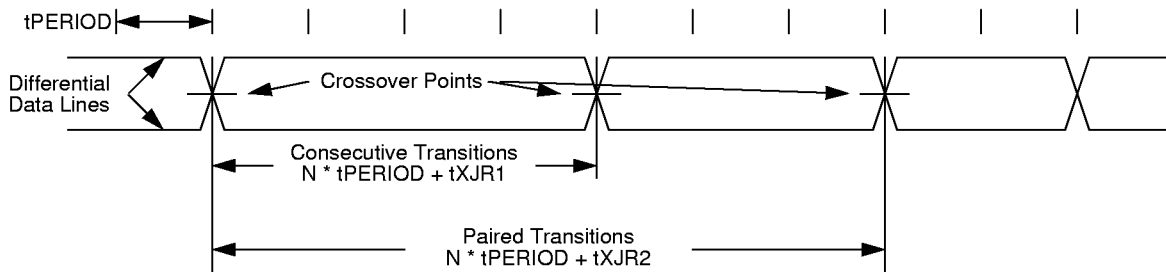
Sym	Parameter	Min	Max	Unit	Figure	Condition (Notes 1, 2, and 3)
<b>Driver Characteristics</b>						
tR tF	Transition Time: Rise Time Fall Time	4 4	20 20	ns ns		CL = 50pF, Notes 5 and 6
tRFM	Rise/Fall Time Matching	90	110	%		(tR/tF)
vCRS	Output Signal Crossover Voltage	1.3	2.0	V		
zDRV	Driver Output Resistance	28	43	ohm		Steady state drive
<b>Data Source Timings</b>						
tDRATE	Full Speed Data Rate	11.97	12.03	Mb/s		Average bit rate = 12Mb/s ±0.25%
tFRAME	Frame Interval	0.9995	1.0005	ms		1.0ms ±0.05%
tDJ1 tDJ2	Source Differential Driver Jitter: To Next Transition For Paired Transitions	-3.5 -4.0	3.5 4.0	ns ns		Notes 7 and 8
tEOPT	Source EOP Width	160	175	ns		Note 8
tDEOP	Differential to EOP Transition Skew	-2	5	ns		Note 8
tJR1 tJR2	Receiver Data Jitter Tolerance: To Next Transition For Paired Transitions	-18.5 -9	18.5 9	ns ns		Note 8
tEOPR1 tEOPR2	EOP Width at Receiver: Must Reject at EOP Must Accept as EOP	40 82		ns ns		Note 8

## 6.3.3 USB AC Timings: Low Speed Source

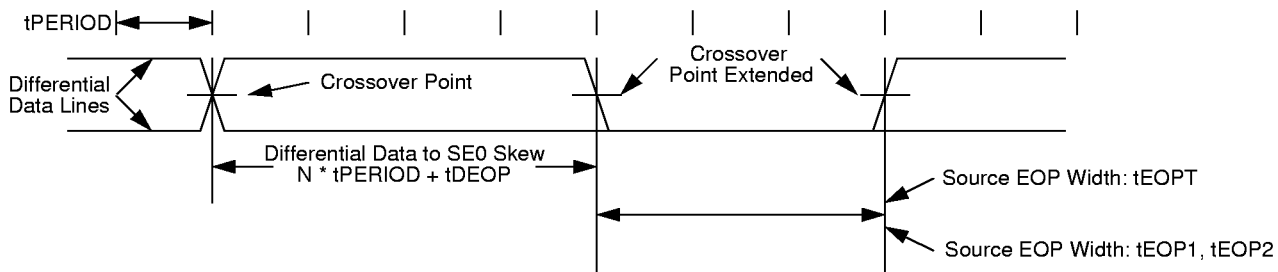
Sym	Parameter	Min	Max	Unit	Figure	Condition (Notes 1, 2, and 4)
<b>Driver Characteristics</b>						
tR	Transition Time: Rise Time	75	300	ns		Notes 5 and 6 Min# measured with: CL = 50pF
tF	Fall Time	75	300	ns		Max# measured with: CL = 350pF
tRFM	Rise/Fall Time Matching	80	120	%		(tR/tF)
vCRS	Output Signal Crossover Voltage	1.3	2.0	V		
<b>Data Source Timings</b>						
tDRATE	Low Speed Data Rate	1.4775	1.5225	Mb/s		Average bit rate = 1.5Mb/s ±1.5%
tDDJ1	Source Differential Driver Jitter, At Host (Downstream): To Next Transition	-75	75	ns		Notes 7 and 8
tDDJ2	For Paired Transitions	-45	45	ns		
tUDJ1	Source Differential Driver Jitter, At Function (Upstream): To Next Transition	-95	95	ns		Notes 7 and 8
tUDJ2	For Paired Transitions	-150	150	ns		
tEOPT	Source EOP Width	1.25	150	µs	6-5	Note 8
tDEOP	Differential to EOP Transition Skew	-40	100	ns	6-5	Note 8
tUJR1	Receiver Data Jitter Tolerance, At Host (Upstream): To Next Transition	-152	152	ns	6-6	
tUJR2	For Paired Transitions	-200	200	ns		
tDJR1	Receiver Data Jitter Tolerance, At Function (Downstream): To Next Transition	-75	75	ns	6-6	
tDJR2	For Paired Transitions	-45	45	ns		
tEOPR1	EOP Width at Receiver: Must Reject at EOP	330		ns	6-6	Note 8
tEOPR2	Must Accept as EOP	675		ns		

- Notes:**
1. All voltages measured from the local ground potential, unless otherwise specified.
  2. All timings use a capacitive load (CL) to ground of 50pF, unless otherwise specified.
  3. Full speed timings have a 1.5 kohm pull-up to 2.8V on the D+ data line.
  4. Low speed timings have a 1.5 kohm pull-up to 2.8V on the D- line.
  5. Measured from 10% to 90% of the data signal.
  6. The rising and falling edges should be smoothly transitioning (monotonic).
  7. Timing difference between the differential data signals.
  8. Measured at crossover point of differential data signals.
  9. The maximum load specification is the maximum effective capacitive load allowed that meets the target hub Vbus droop of 330mV.

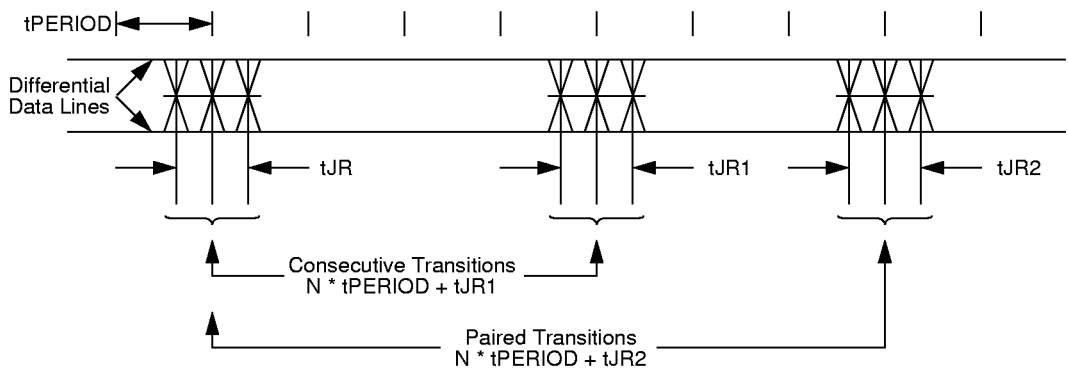
**Figure 6-4 Differential Data Jitter**



**Figure 6-5 Differential to EOP Transition Skew and EOP Width**



**Figure 6-6 Receiver Jitter Tolerance**

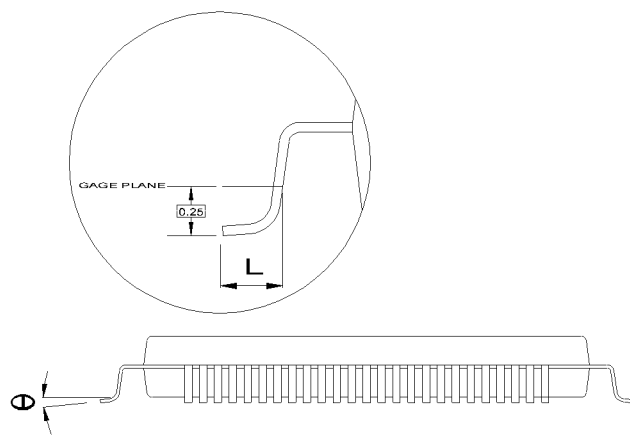
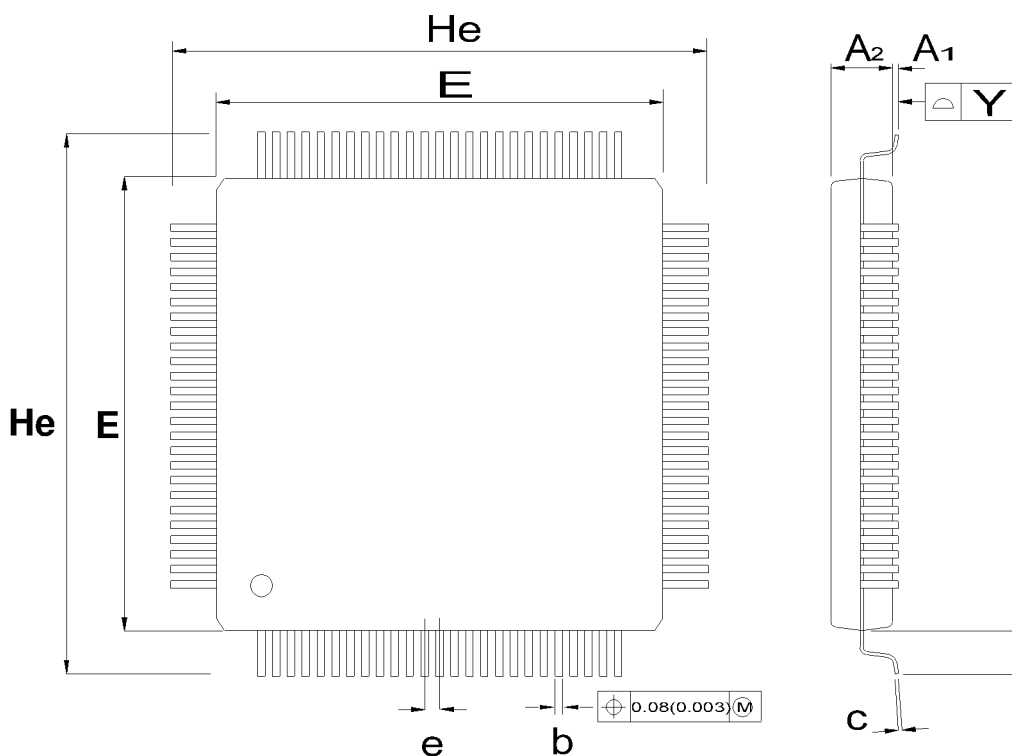






## 7.0 Mechanical Package Outlines

Figure 7-1 100-Pin Low-Profile Quad Flat Pack (LQFP)

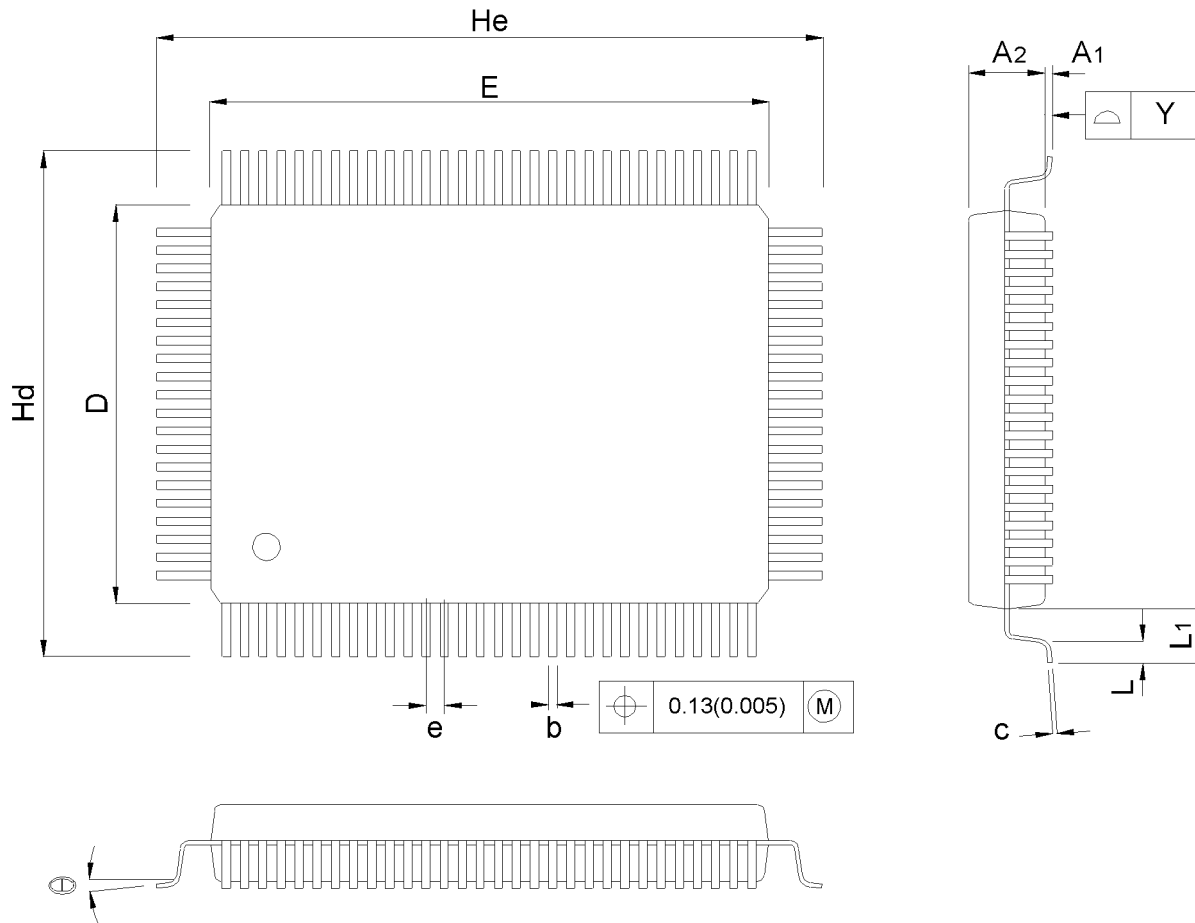


Dwg. No.:	AS100TQFP-001	
Dwg. Rev.:	A0	Unit: MM / INCH

SYMBOL	MILLIMETER			INCH		
	MIN.	NOM.	MAX.	MIN.	NOM.	MAX.
A <sub>1</sub>	0.05	0.10	0.15	0.002	0.004	0.006
A <sub>2</sub>	1.35	1.40	1.45	0.053	0.055	0.057
b	0.17	0.22	0.27	0.007	0.009	0.011
c	0.090		0.200	0.004		0.008
D	13.90	14.00	14.10	0.547	0.551	0.555
E	13.90	14.00	14.10	0.547	0.551	0.555
e		0.50			0.020	
H <sub>d</sub>	15.90	16.00	16.10	0.626	0.630	0.634
H <sub>e</sub>	15.90	16.00	16.10	0.626	0.630	0.634
L	0.45	0.60	0.75	0.018	0.024	0.030
L <sub>1</sub>		1.00			0.039	
Y			0.08			0.003
θ	0		7	0		7

# FireLink

Figure 7-2 100-Pin Quad Flat Pack (QFP)



SYMBOL	MILLIMETER		INCH	
	MIN.	NOM. MAX.	MIN.	NOM. MAX.
A1	0.25	0.35	0.010	0.014
A2	2.57	2.72	0.101	0.107
b	0.20	0.30	0.008	0.012
c	0.10	0.15	0.004	0.006
D	13.90	14.00	0.547	0.551
E	19.90	20.00	0.783	0.787
e		0.65		0.026
Hd	17.00	17.20	0.669	0.677
He	23.00	23.20	0.905	0.913
L	0.65	0.80	0.025	0.031
L1		1.60		0.063
Y				0.003
⊕	0		0	7

Dwg. No.:	AS100PQFP-001	
Dwg. Rev.:	A0	Unit: MM / INCH



## 8.0 NAND Tree Test Mode

The NAND tree mode tests both input and bi-directional pins that are part of the NAND tree chain. The NAND tree chain starts at pin 13 (VD1+) while the output of the chain is at pin 24 (PWRON2). To use the NAND tree test mode, strap FireLink 1.0 by pulling up the following pins during the rising edge of RESET#: Pin 1 (A20\_out), Pin 25 (TEST1) and Pin 21 (TEST0). For reliable strapping, toggle PCICLK at least two times after RESET# goes low, and at least two times after RESET# goes high. After that strapping sequence, set both RESET# and PCICLK high. Do not toggle RESET# and PCICLK during the NAND tree test. See the tables below for the NAND tree test mode pins.

### Revision 1.0

13	VD1+ (NAND input start)
18	VD2+
6	USBCLK
9	POWERON1
10	PWRFLT1
11	PWRGD1
21	TEST0 (Strap option: high = NAND test mode)
22	PWRGD2
23	PWRFLT2
25	TEST1 (Strap option: high = NAND test mode)
31	RESET# (held high during during test)
32	PCICLK (held high during during test)

35	GNT#
37	AD31
38	AD30
39	AD29
42	AD28
43	AD27
44	AD26
45	AD25
46	CLKRUN#
48	AD24
49	C/BE3#
50	IDSEL
51	AD23
52	AD22
55	AD21
56	AD20
57	AD19
58	AD18
61	AD17
62	AD16
63	C/BE2#

64	FRAME#
67	IRDY#
68	TRDY#
69	DEVSEL#
70	STOP#
71	PEERR#
73	ITQ12
76	PAR
77	C/BE1#
78	AD15
79	AD14
82	AD13
83	AD12
84	AD11
86	AD10
87	AD9
88	AD8
89	C/BE0#
93	AD7
94	AD6
95	AD5

97	IRQ1_in
99	AD4
100	AD3
1	A20_out (Strap option: high = NAND test mode)
2	AD2
3	AD1
4	AD0
24	PWRON2 (NAND Output)