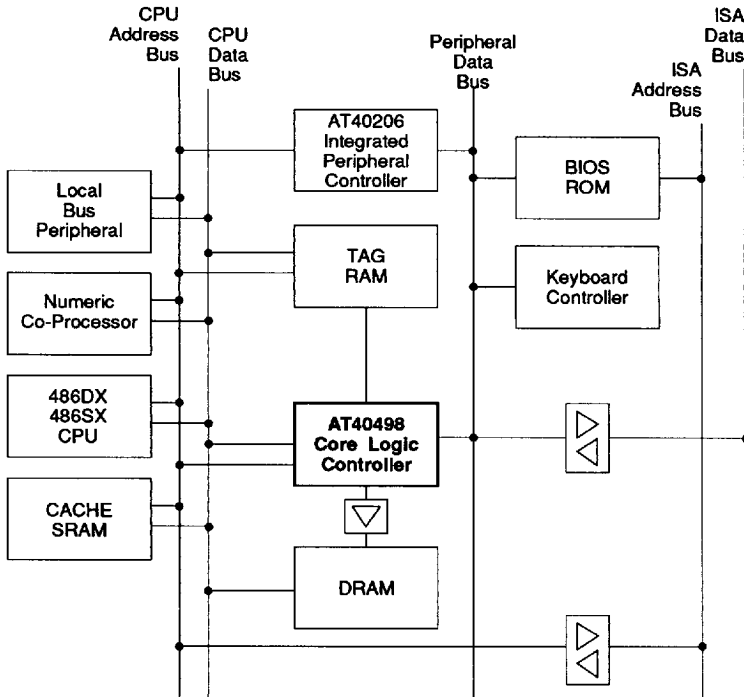


Features

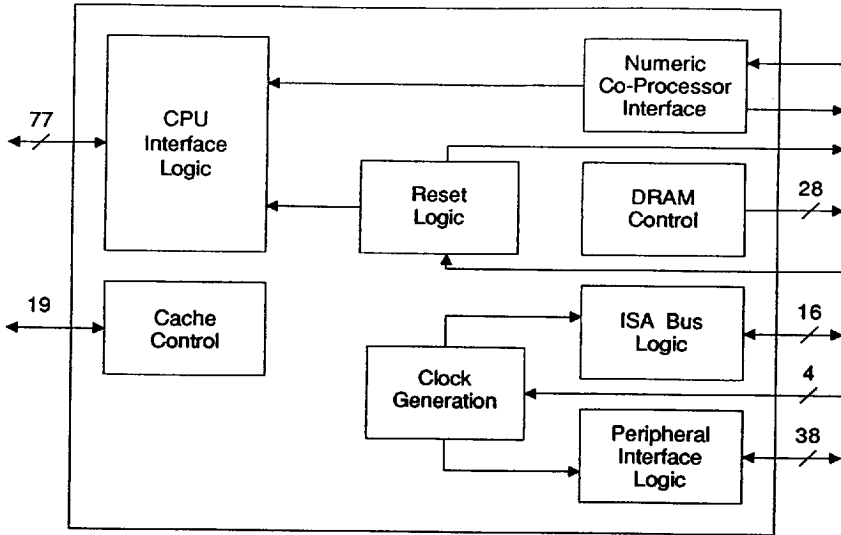
- One-Chip PC/AT Compatible Core Logic Controller for 80486 Systems Operating Up to 66 MHz.
- One 208-Pin Quad Flatpack, Sub-Micron CMOS Technology
- Direct Mapped Write-Back Cache Controller with Burst Fill
- Programmable 2-1-1-1, 3-1-1-1, 2-2-2-2 and 3-2-2-2 Cache Burst Cycles
- Local Bus Peripheral Support
- Port B Register and NMI Logic
- Programmable ISA Bus Clock Generator
- Back-to-Back 16-Bit ISA Bus Cycles
- 256K, 1-Mbit and 4-Mbit DRAM Support
- Up to 64 Mbytes of Platform Memory
- Shadow RAM Support
- OS/2 Alternate Hot Reset Support

**80486
Core Logic
Controller**

Block Diagram



Core Logic Controller Block Diagram



1074177 0005732 0&T



Ordering Information

CPU Clock (MHz)	Power Supply	Ordering Code	Package	Operation Range
25	5 V \pm 5%	AT40498-25	208Q	Commercial (0°C to 70°C)
33	5 V \pm 5%	AT40498-33	208Q	Commercial (0°C to 70°C)
50	5 V \pm 5%	AT40498-50	208Q	Commercial (0°C to 70°C)

Package Type

208Q	208 Lead, Plastic Gull Wing Quad Flat Package (PQFP)
------	--

9-20

AT40498

■ 1074177 0005733 T16 ■