

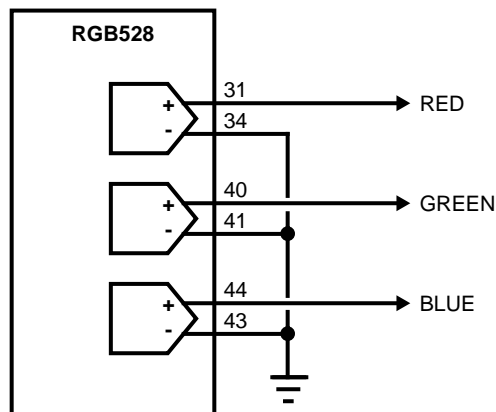
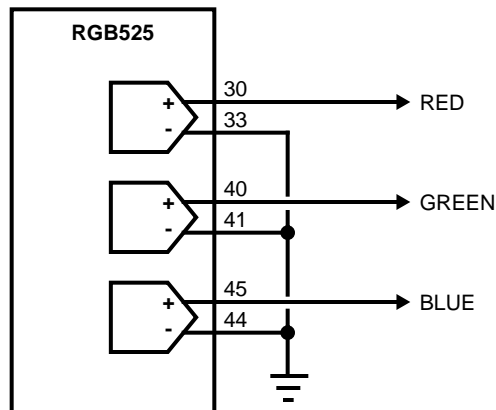
## PRODUCT ALERT

# RGB525/RGB528 Differential DAC Outputs

The RGB51x, RGB52x and RGB62x Palette DAC products are used in graphics adapters to drive a display monitor. The analog outputs provide RS-343A levels into a single-ended monitor connection. In general these Palette DAC modules have three outputs (one output each for red, green and blue) for driving the single-ended connections.

The RGB525 and RGB528 products, however, have both a plus and minus analog output for each color. The product datasheets, listed below, neglect to specify that for normal use, the minus outputs must be wired to ground. The accompanying illustrations show which pins should be grounded.<sup>1</sup>

Product	Data Sheet Document Number
RGB525	IOG525DSU-04
RGB528	IOG528DSU-02



1. For differential DAC usage contact your IBM Microelectronics Field Application Engineer.



© International Business Machines Corporation 1995  
Printed in the United States of America  
3-95

All Rights Reserved

© IBM and the IBM logo are registered trademarks of the IBM Corporation.

™ The following terms are trademarks of the IBM Corporation: IBM Microelectronics, RGB525, RGB528.

The information provided is believed to be accurate and reliable. IBM reserves the right to make changes to the product described without notice. No liability is assumed as a result of its use nor for any infringement of the rights of others.

IBM Microelectronics Division  
1580 Route 52, Bldg. 504  
Hopewell Junction, NY  
12533-6531

The IBM home page can be found at  
<http://www.ibm.com>.

The IBM Microelectronics Division home page can be found at  
<http://www.chips.ibm.com>.

Fast Fax Service 415-885-4121