



S3 Incorporated

Vision864 Graphics Accelerator

Vision864 Graphics Accelerator

October 1994

S3 Incorporated
2770 San Tomas Expressway
Santa Clara, CA 95051-0968

DB008-13

■ 9005049 0000731 640 ■

i



S3 Incorporated

NOTATIONAL CONVENTIONS

The following notational conventions are used in this data book:

Signal names are shown in all uppercase letters. For example, XD.

A bar over a signal name indicates an active low signal. For example, \overline{OE} .

n-m indicates a bit field from bit n to bit m. For example, 7-0 specifies bits 7 through 0, inclusive.

n:m indicates a signal (pin) range from n to m. For example D[7:0] specifies data lines 7 through 0, inclusive.

Use of a trailing letter H indicates a hexadecimal number. For example, 7AH is a hexadecimal number.

Use of a trailing letter b indicates a binary number. For example, 010b is a binary number.

When numerical modifiers such as K or M are used, they refer to binary rather than decimal form. Thus, for example, 1 KByte would be equivalent to 1024, not 1,000 bytes.

NOTICES

© Copyright 1994 S3 Incorporated. All rights reserved. No part of this publication may be reproduced, stored in a retrieval system, or transmitted in any form or by any means, electronic, mechanical, photocopying, or otherwise, without the prior written consent of S3 Incorporated, 2770 San Tomas Expwy., Santa Clara CA 95051-0968. The S3 Corporate Logo, S3 801, S3 805, S3 PS805, S3 805i, S3 928, S3 928PCI, Vision64, Vision864, Vision866, Vision868, Vision964, Vision968, Vision/VA, Trio32, Trio64, Galileo and SDAC are trademarks of S3 Incorporated and S3 and True Acceleration are registered trademarks of S3 Incorporated. Other trademarks referenced in this document are owned by their respective companies. The material in this document is for information only and is subject to change without notice. S3 Incorporated reserves the right to make changes in the product design without reservation and without notice to its users.

Additional information may be obtained from:

S3 Incorporated, Literature Department, 2770 San Tomas Expressway, Santa Clara, CA 95051-0968.

Telephone: 408-980-5400, Fax: 408-980-5444



Table of Contents

Section 1: Introduction 1-1

- 1.1 BUS INTERFACES 1-1
- 1.2 DRAM/RAMDAC SUPPORT 1-1
- 1.3 RESOLUTIONS SUPPORTED 1-1
- 1.4 ADVANCED ARCHITECTURE 1-2
- 1.5 MULTIMEDIA SUPPORT 1-2
- 1.6 GREEN PC SUPPORT 1-2
- 1.7 SOFTWARE SUPPORT 1-2

Section 2: Mechanical Data 2-1

- 2.1 THERMAL SPECIFICATIONS 2-1
- 2.2 MECHANICAL DIMENSIONS 2-1

Section 3: Pins 3-1

- 3.1 PINOUT DIAGRAMS 3-1
- 3.2 PIN DESCRIPTIONS 3-4
- 3.3 PIN LISTS 3-9

Section 4: Electrical Data 4-1

- 4.1 MAXIMUM RATINGS 4-1
- 4.2 DC SPECIFICATIONS 4-1
- 4.3 AC SPECIFICATIONS 4-2
 - 4.3.1 Clock Timing 4-3
 - 4.3.2 Input/Output Timing 4-4
- 4.4 OUTPUT BUFFER MODEL 4-7
- 4.5 POWER ISOLATION CONSIDERATIONS 4-8

Section 5: Reset and Initialization 5-1

- 5.1 CONFIGURATION STRAPPING 5-1
- 5.2 GENERAL DATA BUS AT RESET 5-1
- 5.3 PREVENTING BUS LOADS DURING RESET 5-1
- 5.4 TEST MODE 5-3

Section 6: System Bus Interfaces . 6-1

- 6.1 PCI BUS INTERFACE 6-1
 - 6.1.1 PCI CONFIGURATION 6-1
 - 6.1.2 PCI Bus Cycles 6-1

- 6.2 VL-BUS INTERFACE 6-5
 - 6.2.1 VL-Bus Cycles 6-5
 - 6.2.2 SRDY Generation 6-6
- 6.3 LOCAL BUS CLOCKING 6-6

Section 7: Display Memory 7-1

- 7.1 DISPLAY MEMORY CONFIGURATIONS 7-1
- 7.2 DISPLAY MEMORY REFRESH 7-4
- 7.3 DISPLAY MEMORY FUNCTIONAL TIMING 7-5
- 7.4 DISPLAY MEMORY ACCESS CONTROL 7-8
- 7.5 SHARED FRAME BUFFER 7-9

Section 8: Miscellaneous Functions 8-1

- 8.1 VIDEO BIOS ROM INTERFACE 8-1
 - 8.1.1 Disabling BIOS ROM Accesses 8-1
 - 8.1.2 BIOS ROM Hardware Interface 8-2
 - 8.1.3 BIOS ROM Read Functional Timing 8-2
 - 8.1.4 BIOS ROM Address Mapping 8-4
- 8.2 RAMDAC/DISPLAY INTERFACE 8-4
 - 8.2.1 RAMDAC Hardware Interface 8-4
 - 8.2.2 RAMDAC Functional Timing 8-4
 - 8.2.3 RAMDAC Color Mode 8-4
 - 8.2.4 VCLK Control 8-5
 - 8.2.5 Generating Register Select Signals 8-5
 - 8.2.6 Green PC Support 8-6
 - 8.2.7 SENSE Input Utilization 8-6
 - 8.2.8 RAMDAC Write Snooping (VL-Bus) 8-6
 - 8.2.9 Disabling RAMDAC Register Access (PCI) 8-6
- 8.3 CLOCK GENERATOR INTERFACE 8-7
 - 8.3.1 Clock Generator Hardware Interface 8-7



8.3.2	Clock Generator Access Functional Timing	8-7	11.3.3.5	Image Transfer Across the Plane	11-13
8.3.3	DCLK Selection	8-7	11.3.3.6	BitBLT Through the Plane	11-15
8.4	GENERAL INPUT PORT	8-8	11.3.3.7	BitBLT Across the Plane	11-16
8.5	GENERAL OUTPUT PORT	8-8	11.3.3.8	PatBLT—Pattern Fill Through the Plane	11-18
8.6	GENLOCKING	8-9	11.3.3.9	PatBLT—Pattern Fill Across the Plane	11-19
Section 9: Software Setup 9-1			11.3.3.10	Short Stroke Vectors	11-20
9.1	CHIP WAKEUP	9-1	11.3.3.11	Programmable Hardware Cursor	11-21
9.2	REGISTER ACCESS	9-2	11.4	RECOMMENDED READING	11-22
9.2.1	Unlocking the S3 Registers	9-2	Section 12: CGA-Compatible Register Descriptions 12-1		
9.2.2	Locking the S3 Registers	9-3	Section 13: MDA- and HGC- Compatible Register Descriptions 13-1		
9.2.3	Unlocking/Locking Other Registers	9-3	Section 14: VGA Standard Register Descriptions 14-1		
9.3	TESTING FOR THE PRESENCE OF A Vision864 CHIP	9-4	14.1	GENERAL REGISTERS	14-1
9.4	GRAPHICS MODE SETUP	9-4	14.2	SEQUENCER REGISTERS	14-4
9.4.1	Backward Compatibility Modes Setup	9-4	14.3	CRT CONTROLLER REGISTERS	14-10
9.4.2	VGA Mode Setup	9-5	14.4	GRAPHICS CONTROLLER REGISTERS	14-25
9.4.3	S3 Enhanced Mode Setup	9-6	14.5	ATTRIBUTE CONTROLLER REGISTERS	14-32
9.4.4	Memory Mapping of Enhanced Mode Registers	9-8	14.6	SETUP REGISTERS	14-38
9.4.5	Hardware Graphics Cursor Setup	9-8	14.7	RAMDAC REGISTERS	14-40
Section 10: VGA/Backward Compatibility Support 10-1			Section 15: S3 VGA Register Descriptions 15-1		
10.1	VGA COMPATIBILITY	10-1	Section 16: System Control Register Descriptions 16-1		
10.2	VESA SUPER VGA SUPPORT	10-3	Section 17: System Extension Register Descriptions 17-1		
10.3	BACKWARD COMPATIBILITY SUPPORT	10-3	Section 18: Enhanced Commands Register Descriptions 18-1		
Section 11: Enhanced Mode Programming 11-1					
11.1	DIRECT BITMAP ACCESSING— LINEAR ADDRESSING	11-1			
11.2	BITMAP ACCESS THROUGH THE GRAPHICS ENGINE	11-2			
11.3	PROGRAMMING	11-4			
11.3.1	Notational Conventions	11-4			
11.3.2	Initial Setup	11-5			
11.3.3	Programming Examples	11-5			
11.3.3.1	Solid Line	11-7			
11.3.3.2	Textured Line	11-8			
11.3.3.3	Rectangle	11-10			
11.3.3.4	Image Transfer Through the Plane	11-11			



Section 19: PCI Register

Descriptions 19-1

Appendix A: Register Reference A-1

A.1 CGA-COMPATIBLE REGISTERS . . A-2
A.2 MD- AND HGC-COMPATIBLE
REGISTERS A-3
A.3 VGA REGISTERS A-4
A.4 S3 VGA REGISTERS A-12
A.5 SYSTEM CONTROL REGISTERS A-14
A.6 SYSTEM EXTENSION REGISTERS A-16
A.7 ENHANCED COMMANDS
REGISTERS A-20
A.8 PCI CONFIGURATION SPACE
REGISTERS A-24

Index I-1



List of Figures

#	Title	Page	#	Title	Page
1-1	PCI Bus System Block Diagram	1-2	8-2	BIOS ROM VL-Bus Configuration	
2-1	208-pin PQFP Mechanical Dimensions	2-2	8-3	BIOS ROM Read Functional Timing - PCI	8-2
3-1	PCI Bus Configuration Pinout	3-2	8-4	RAMDAC Interface	8-3
3-2	VESA Local Bus Configuration Pinout	3-3	8-5	RAMDAC Access Functional Timing	8-4
4-1	Clock Waveform Timing	4-3	8-6	VCLK Selection	8-5
4-2	Input Timing	4-4	8-7	General Data Bus Interfaces	8-6
4-3	Output Timing	4-5	8-8	General Input Port Functional Timing	8-7
4-4	Reset Timing	4-7	8-9	General Output Port Functional Timing	8-8
4-5	First Order Output Buffer Model	4-8	8-10	Genlocking Master Sync Timing	8-9
4-6	Power Pin Isolation Detail	4-8	8-11	Genlocking Timing Adjustments	8-10
4-7	Power Pin Connection Requirements	4-9	11-1	Pixel Update Flowchart	11-3
6-1	Basic PCI Read Cycle	6-2			
6-2	Basic PCI Write Cycle	6-2			
6-3	PCI Disconnect Example A	6-3			
6-4	PCI Disconnect Example B	6-3			
6-5	PCI Configuration Write Cycle	6-4			
6-6	PCI Configuration Write Cycle	6-4			
6-7	Read Parity Operation	6-5			
6-8	VL-Bus Interface	6-6			
6-9	1X Clock Generation	6-6			
6-10	VL-Bus Read Cycle	6-7			
6-11	1 Wait-state VL-Bus Write Cycle	6-8			
7-1	2-MByte DRAM Configuration	7-2			
7-2	4-MByte DRAM Configuration	7-3			
7-3	1-MByte Dual-WE DRAM Configuration	7-4			
7-4	Fast Page Mode Read Cycle	7-5			
7-5	Fast Page Mode Write Cycle	7-6			
7-6	EDO Mode Read Cycle	7-7			
7-7	Display Memory Access Sources	7-8			
7-8	Shared Frame Buffer Protocol Timing	7-10			
8-1	BIOS ROM PCI Configuration Interface	8-1			



List of Tables

#	Title	Page	#	Title	Page
1-1	Video Resolutions Supported . . .	1-1	A-4	S3 VGA Registers	A-12
3-1	Vision864 Pin Descriptions	3-4	A-5	System Control Registers	A-14
3-2	Alphabetical Pin Listing	3-9	A-6	System Extension Registers	A-16
3-3	Numerical Pin Listing	3-11	A-7	Enhanced Commands Registers	A-20
4-1	Absolute Maximum Ratings	4-1	A-8	PCI Configuration Space Registers	A-24
4-2	DC Specifications	4-1			
4-3	Clock Waveform Timing	4-3			
4-4	SCLK-Referenced Input Timing	4-4			
4-5	SCLK-Referenced Output Timing	4-5			
4-6	MCLK-Referenced Input Timing	4-6			
4-7	MCLK-Referenced Output Timing	4-6			
4-8	DCLK-Referenced Output Timing	4-6			
4-9	Fast Page Mode Memory Input Timing	4-6			
4-10	Reset Timing	4-7			
5-1	Definition of PD[23:0] at the Rising Edge of the Reset Signal	5-2			
5-2	Signals Tri-Stated by Test Mode	5-3			
8-1	RS[1:0] Generation	8-5			
8-2	DCLK Select Values	8-8			
9-1	VGA Register Access Control Extensions	9-3			
9-2	CRTC Timing Specification Summary	9-5			
9-3	Register Bits Affecting the Bitmap Definition	9-6			
9-4	Enhanced Mode Setup for 1024x768x8 Resolution at 75 Hz Refresh	9-7			
9-5	Memory-Mapped I/O Addresses for Enhanced Command Registers	9-8			
10-1	Standard VGA Registers Modified or Extended in the Vision864	10-1			
11-1	Mnemonics Used in the Programming Examples	11-6			
A-1	CGA-Compatible Registers	A-2			
A-2	MDA- and HGC-Compatible Registers	A-3			
A-3	VGA Registers	A-4			



Section 1: Introduction

The S3[®] Vision864[™] 64-bit DRAM-based graphics accelerator (hereinafter referred to as the Vision864) provides high resolutions, true color and multimedia capabilities to multiple PC hardware and software platforms. It supports Intel[®], PowerPC[™], Alpha[™] and MIPS[™] hardware platforms and a range of operating environments such as Windows[™], Windows NT[™], OS/2[®], Solaris[™] and SCO[®] OpenDesktop[®].

The pixel data bus to the frame buffer is 64 bits wide. When combined with support for the fast page and extended data out (EDO) modes of the latest DRAMs, this provides a pixel data bandwidth of up to 240 MBytes/second.

The Vision864 is register-level compatible with standard VGA and provides fast operation in these text and graphics modes. It supports the VESA[®] extended VGA modes. It also provides a set of enhanced modes for accelerated operation with higher resolutions and pixel depths (bits/pixel).

1.1 BUS INTERFACES

The Vision864 provides interfaces to both the PCI and VESA local busses. The PCI bus interface requires no external glue logic. This interface is shown Figure 1-1. The VESA local bus interface requires external buffers to allow multiplexing of the system address and data lines. The Vision864 provides all required control signals for these buffers.

1.2 DRAM/RAMDAC SUPPORT

Vision864-based systems can be designed with 1 MByte of DRAM. The memory interface can be configured as 32 bits to support this design. Systems can also be configured with up to 4 MBytes of DRAM with a 64-bit memory interface. DRAM sizes supported are 256Kx4 and 256Kx16. 16-bit RAMDACs or S3 SDAC[™]s are supported.

1.3 RESOLUTIONS SUPPORTED

Table 1-1. Video Resolutions Supported

Resolution	1 MB DRAM	2 MBs DRAM	4 MBs DRAM
640x480x4	✓	✓	✓
640x480x8	✓	✓	✓
640x480x16	✓	✓	✓
640x480x24	✓	✓	✓
640x480x32		✓	✓
800x600x4	✓	✓	✓
800x600x8	✓	✓	✓
800x600x16	✓	✓	✓
800x600x32		✓	✓
1024x768x4	✓	✓	✓
1024x768x8	✓	✓	✓
1024x768x16		✓	✓
1280x1024x4	✓	✓	✓
1280x1024x8		✓	✓
1600x1200x4	✓	✓	✓
1600x1200x8		✓	✓



Extended VGA text modes up to 132 columns by 43 rows are possible as well.

1.4 ADVANCED ARCHITECTURE

The 64-bit Graphics Engine accelerates common graphics operations such as bit block transfers (BitBLTs) and rectangle fills. The Vision864 processes two 32 bits/pixel (bpp) (true color) operations, four 16 bpp operations (high color) or eight 8 bpp operations (pseudo-color) per clock cycle. Other architectural features enhancing performance include a hardware cursor, linear addressing of video memory, memory-mapped I/O and write posting of CPU writes to video memory.

1.5 MULTIMEDIA SUPPORT

The Vision864 supports several types of multimedia operations. It provides a request/grant protocol and associated signals to allow a video coprocessor to share the video frame buffer. In addition, the Vision864 contains built-in genlock circuitry to synchronize the RAMDAC output with an external NTSC/PAL video signal. This feature

provides support for multimedia-type applications such as video superposition and chroma key control.

1.6 GREEN PC SUPPORT

For low power consumption designs (Green PC), the Vision864 allows software manipulation of its horizontal and vertical sync signals to control the power state of monitors.

1.7 SOFTWARE SUPPORT

S3 provides drivers for operating systems such as Microsoft Windows and IBM® OS/2 Presentation Manager™ and graphics-intensive applications such as AutoCAD®. S3 also provides video BIOS support for RAMDACs covering a large performance range. In addition, third party developers provide drivers for numerous applications.

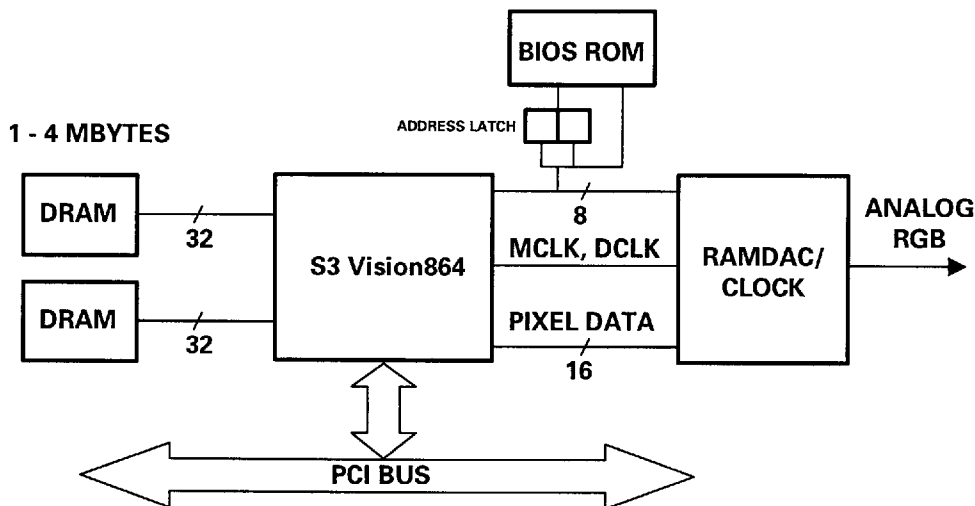


Figure 1-1. PCI Bus System Block Diagram



Section 2: Mechanical Data

2.1 THERMAL SPECIFICATIONS

Parameter	Min	Typ	Max	Unit
Thermal Resistance θ_{jc}		8		$^{\circ}\text{C}/\text{W}$
Thermal Resistance θ_{JA} (Still Air)		37		$^{\circ}\text{C}/\text{W}$
Power Dissipation		1.5	1.75	W
Junction Temperature			125	$^{\circ}\text{C}$

2.2 MECHANICAL DIMENSIONS

The Vision864 comes in a 208-pin PQFP package. The mechanical dimensions are given in Figure 2-1.



S3 Incorporated

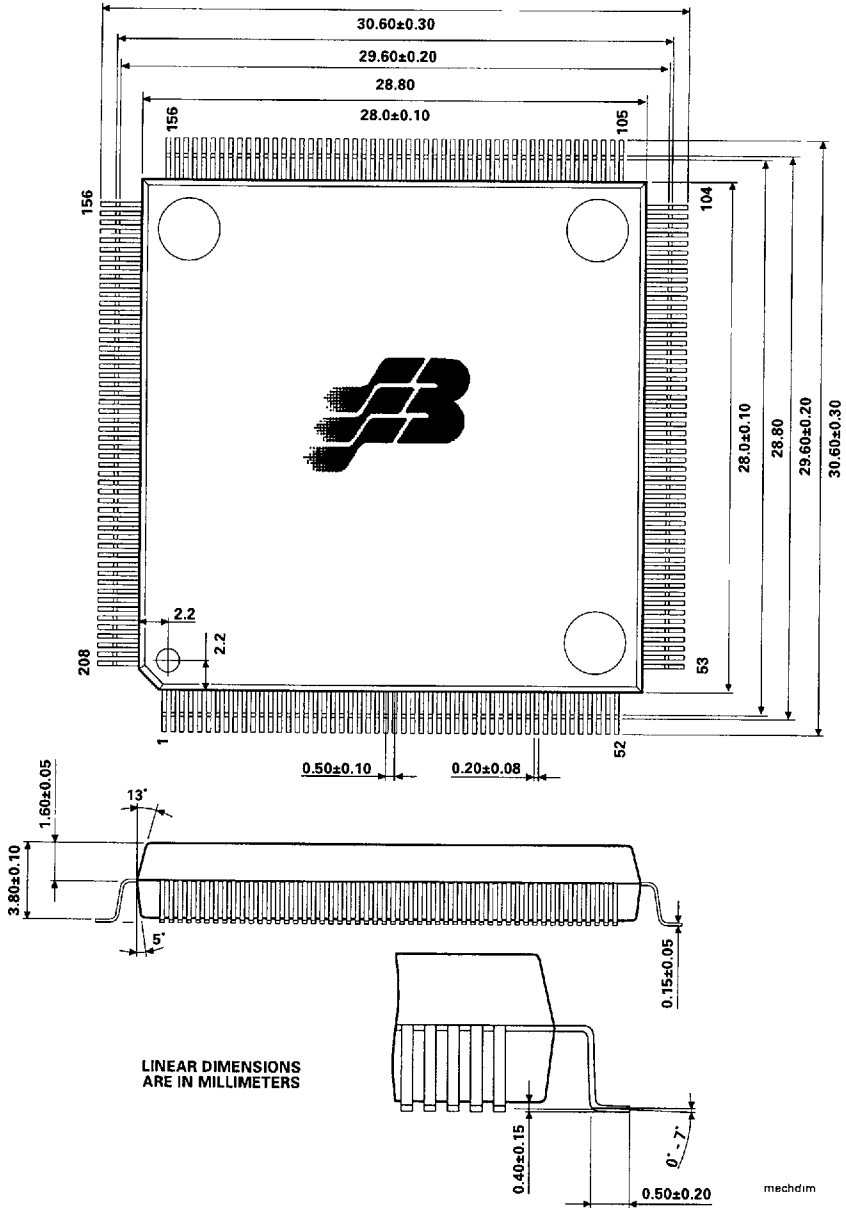


Figure 2-1. 208-pin PQFP Mechanical Dimensions

9005049 0000741 59T

2-2 MECHANICAL DATA



Section 3: Pins

3.1 PINOUT DIAGRAMS

The Vision864 comes in a 208-pin PQFP package. The PCI bus pinout is shown in Figure 3-1. The pinout for the VESA local bus configuration is shown in Figure 3-2. Active low pins are indicated by an overbar.



S3 Incorporated

Vision864 Graphics Accelerator

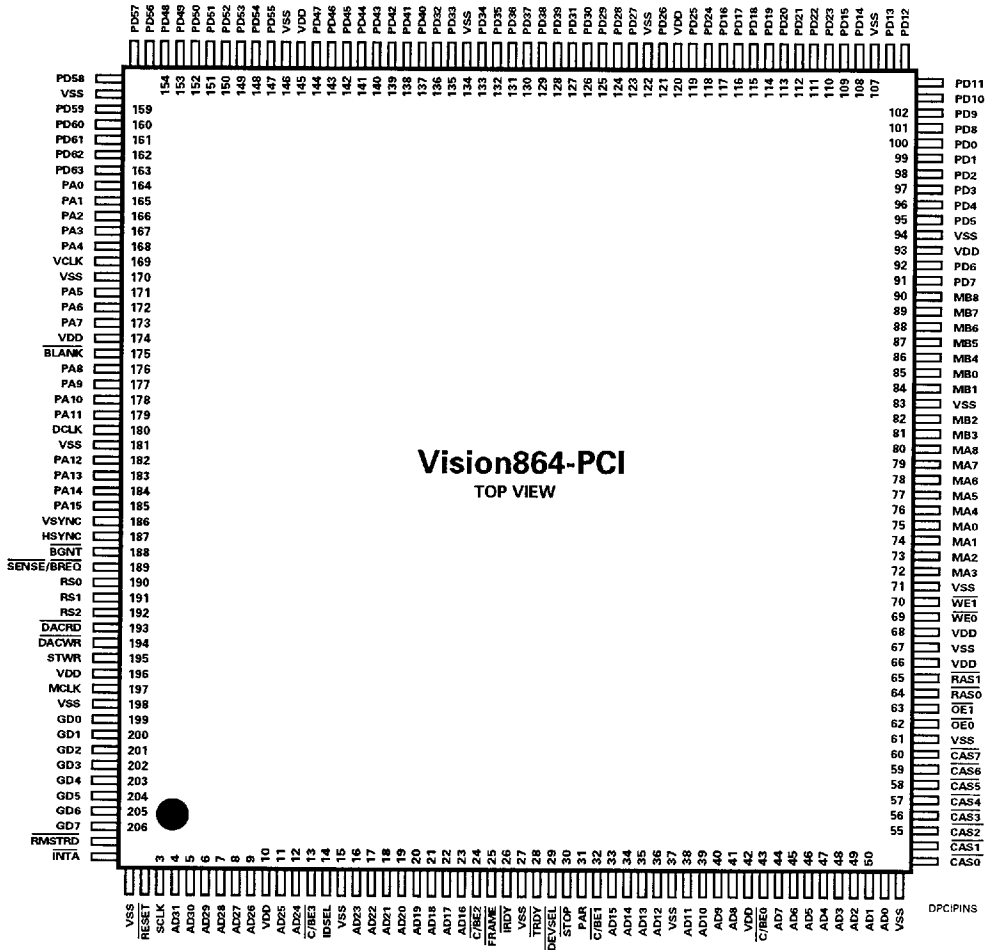


Figure 3-1. PCI Bus Configuration Pinout

9005049 0000743 362

3-2 PINS



S3 Incorporated

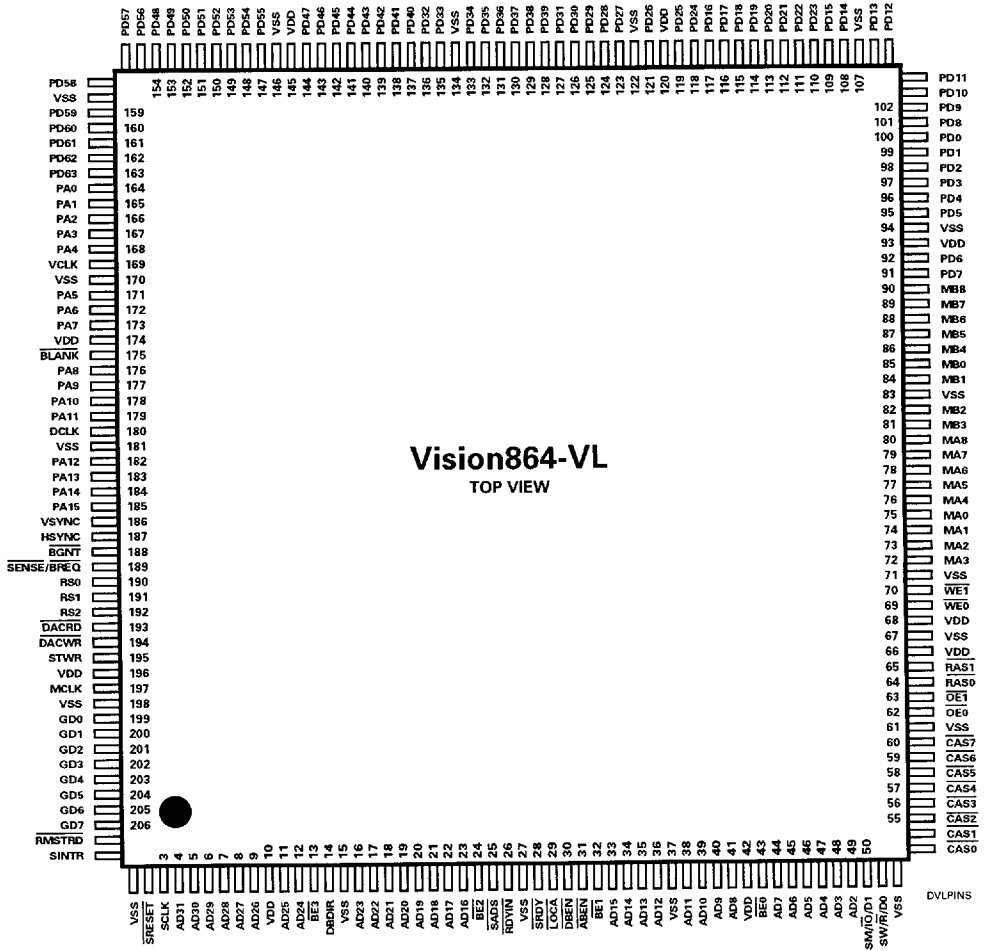


Figure 3-2. VESA Local Bus Configuration Pinout



3.2 PIN DESCRIPTIONS

The following table provides a brief description of each pin on the Vision864 for its VESA local bus and PCI bus configurations. The following definitions are used in these descriptions:

- I - Input signal
- O - Output signal
- B - Bidirectional signal

Some pins have multiple names. This reflects the different functions performed by those pins depending on the bus configuration selected by power-on-strapping. The pin definitions and functions are given for each possible case.

Table 3-1. Vision864 Pin Descriptions

Symbol	Type	Pin Number(s)	Description
BUS INTERFACES			
Address and Data			
AD[31:2]	B	4-9, 11-12, 16-23, 33-36, 38-41, 44-49	Multiplexed Address/Data Bus. A bus transaction (cycle) consists of an address phase followed by one or more data phases.
AD1	B	50	(PCI) Multiplexed Address/Data Bit 1.
$\overline{SM}/\overline{IO}/D1$	B		(VL) Memory/I/O Cycle Indicator/Data 1. The $\overline{M}/\overline{IO}$ status is latched during the address phase and D1 is latched during the data phase.
AD0	B	51	(PCI) Multiplexed Address/Data Bit 0.
$\overline{SW}/\overline{R}/D0$	B		(VL) Write/Read Cycle Indicator/Data 0. The $\overline{W}/\overline{R}$ status is latched during the address phase and D0 is latched during the data phase.
$\overline{C}/\overline{BE}[3:0]$	I	13, 24, 32, 43	(PCI) Bus Command/Data Byte Enables. These signals carry the bus command during the address phase and the byte enables during the data phase.
$\overline{BE}[3:0]$			(VL) Data Byte Enables.
Bus Control			
SCLK	I	3	System Clock.
\overline{INTA}	O	208	(PCI) Interrupt Request.
SINTR			(VL) Interrupt Request
\overline{IRDY}	I	26	(PCI) Initiator Ready. A bus data phase is completed when both \overline{IRDY} and \overline{TRDY} are asserted on the same cycle.
\overline{RDYIN}			(VL) Local Bus Cycle End Acknowledge. The Vision864 holds read data valid on the bus until this input is asserted.



Table 3-1. Vision864 Pin Descriptions (Continued)

Symbol	Type	Pin Number(s)	Description
$\overline{\text{TRDY}}$	O	28	(PCI) Target Ready. A bus data phase is completed when both $\overline{\text{IRDY}}$ and $\overline{\text{TRDY}}$ are asserted on the same cycle.
$\overline{\text{SRDY}}$			(VL) Local Bus Cycle End.
$\overline{\text{DEVSEL}}$	O	29	(PCI) Device Select. The Vision864 drives this signal active when it decodes its address as the target of the current access.
$\overline{\text{LOCA}}$			(VL) Local Bus Access Cycle Indicator. This signal is output during local bus cycles to allow system logic chip sets to prevent concurrent EISA/ISA cycle generation.
$\overline{\text{IDSEL}}$	I	14	(PCI) Initialization Device Select. This input is the chip select for Vision864 PCI configuration register reads/writes.
$\overline{\text{DBDIR}}$	O		(VL) Data Buffer Direction Control. This output is high for a data write and low for a data read.
$\overline{\text{RESET}}$	I	2	(PCI) System Reset. Asserting this signal forces the Vision864 registers and state machines to a known state.
$\overline{\text{SRESET}}$			(VL) System Reset
$\overline{\text{FRAME}}$	I	25	(PCI) Cycle Frame. This signal is asserted by the bus master to indicate the beginning of a bus transaction. It is deasserted during the final data phase of a bus transaction.
$\overline{\text{SADS}}$			(VL) System Address Strobe.
$\overline{\text{PAR}}$	O	31	(PCI) Parity. The Vision864 asserts this signal to verify even parity during reads.
$\overline{\text{ABEN}}$			(VL) Address Buffer Enable. This signal enables the address buffers to drive the address, $\text{SM}/\overline{\text{IO}}$ and $\text{SW}/\overline{\text{R}}$ onto the $\text{AD}[31:0]$ lines.
$\overline{\text{STOP}}$	O	30	(PCI) Stop. The Vision864 asserts this signal to indicate a target disconnect.
$\overline{\text{DBEN}}$			(VL) Data Buffer Enable. This output enables the data buffers to transfer data between the CPU data bus and the $\text{AD}[31:0]$ lines



Table 3-1. Vision864 Pin Descriptions (Continued)

Symbol	Type	Pin Number(s)	Description
CLOCK CONTROL			
MCLK	I	197	Master (Memory) Clock. This input is provided by the clock chip. It controls the pixel data transfer rate between the Vision864 and display memory
DCLK	I	180	Dot Clock. This input is provided by the clock chip. It controls the pixel rate to the RAMDAC as well as the sync and blank timings.
DISPLAY MEMORY INTERFACE			
Address and Data			
PD[63:0]	B	163-159, 157-155, 147-154, 144-137, 128-133, 135-136, 127-123, 121, 119-118, 110-117, 109-108, 106-101, 91-92, 95-100	Display Memory Pixel Data Bus. PD[23-0] are also used as the system configuration strapping bits, providing system configuration and setup information upon power-on or reset.
MA[8:0]	O	80-76, 72-75	Memory Address Bus A.
MB[8:0]	O	90-86, 81-82, 84-85	Memory Address Bus B.
Memory Control			
$\overline{\text{RAS}}[1:0]$	O	65-64	Row Address Strokes. Only $\overline{\text{RAS}}_0$ is required for the Vision864 limit of 4 MBytes of display memory. $\overline{\text{RAS}}_1$ provides a decode of accesses to the memory space between 4 and 8 MBytes
$\overline{\text{CAS}}[7:0]$	O	60-53	Column Address Strokes
$\overline{\text{WE}}[1:0]$	O	70-69	Write Enables.
$\overline{\text{OE}}[1:0]$	O	63-62	Output Enables.
RAMDAC INTERFACE			
Address and Data			
PA[15:0]	O	185-182, 179-176, 173-171, 168-164	RAMDAC Pixel Address Bus.
GD[7:0]	B	206-199	General Data Bus. These signals carry RAMDAC register read/write data. They also carry ROM BIOS reads, clock select outputs, General Output Port output and General Input Port input
RS[2:0]	B	192-190	RAMDAC Register Select. These signals select the RAMDAC register to be read/written. For General Input Port (GOP) reads, RS2 low and RMSTRD asserted combine to provide the buffer output enable.



Table 3-1. Vision864 Pin Descriptions (Continued)

RAMDAC Control			
VCLK	O	169	Video/Pixel Clock. This signal latches pixel data into the RAMDAC.
DACRD	O	193	RAMDAC Read. This signal is asserted to indicate a data read from the RAMDAC.
DACWR	O	194	RAMDAC Write. This signal is asserted to indicate a data write to the RAMDAC.
BLANK	O	175	Video Blank. Asserting this signal turns off the video output.
SENSE/BREQ	I	189	Video Level Sense/Bus Request. When bit 2 of CR50 is cleared to 0, this is the SENSE input. The RAMDAC drives this signal low when it detects a video voltage level exceeding 335 mV on any of the analog outputs. This is used by the video BIOS to detect the existence and type of the monitor connected to the system. The sense status is read from bit 4 of I/O port 3C2H. When bit 2 of CR50 is set to 1, this is the Bus Request input from another display memory master. This supports shared frame buffer operation. The appropriate input signal must be selected by external hardware.
HSYNC	O	187	Horizontal Sync. This signal is an output to the monitor.
VSYNC	B	186	Vertical Sync. When bit 0 of CR56 is cleared to 0 (default), this is an output to the monitor. When bit 0 of CR56 is set to 1, this is an input from a master video source. This provides the basis for genlocking the video output of the Vision864 with the master video source.
MISCELLANEOUS FUNCTIONS			
General Data Port			
GD[7:0]	B	206-199	General Data Bus. These signals carry data for RAMDAC reads/writes, clock select outputs, General Output Port output and General Input Port input.
RMSTRD	O	207	ROM/General Input Port Read Strobe. This signal provides the chip output enable input for ROM BIOS reads and is combined with RS0 for the enable to the General Input Port register.
STWR	O	195	General Output Port Write Strobe. Write strobe for the General Output Port (CR5C) latch and the clock select strobe input to the clock chip.



Table 3-1. Vision864 Pin Descriptions (Continued)

Symbol	Type	Pin Number(s)	Description
Bus Master Control			
$\overline{\text{SENSE}}/\overline{\text{BREQ}}$	I	189	Video Level Sense/Bus Request. When bit 2 of CR50 is cleared to 0, this is the $\overline{\text{SENSE}}$ input. The RAMDAC drives this signal low when it detects a video voltage level exceeding 335 mV on any of the analog outputs. This is used by the video BIOS to detect the existence and type of the monitor connected to the system. The sense status is read from bit 4 of I/O port 3C2H. When bit 2 of CR50 is set to 1, this is the Bus Request input from another display memory master. This supports shared frame buffer operation. The appropriate input signal must be selected by external hardware.
$\overline{\text{BGNT}}$	O	188	Bus Grant. The Vision864 asserts this signal in response to a $\overline{\text{BREQ}}$ input to notify another display memory master that it can take control of the display memory bus. The bus will not be granted if the termination position programmed into the Bus Grant Termination position register (CR5F) and its extension (bit 7 of CR5D) has been exceeded. The Vision864 raises this signal to reclaim bus control.
POWER AND GROUND			
V _{DD}	I	10, 42, 66, 68, 93, 120, 145, 174, 196	Power supply
V _{SS}	I	1, 15, 27, 37, 52, 61, 67, 71, 83, 94, 107, 122, 134, 146, 158, 170, 181, 198	Ground



3.3 PIN LISTS

Table 3-2 lists all Vision864 pins alphabetically. The pin number(s) corresponding to each pin name are given in the appropriate bus interface type column. Table 3-3 lists all Vision864 pins in numerical order. The pin name corresponding to each pin number is given in the appropriate bus interface column.

Table 3-2. Alphabetical Pin Listing

Name	PIN(S)	
	PCI	VL
ABEN		31
AD[31:2]	4-9, 11-12, 16-23, 33-36, 38-41, 44-49	4-9, 11-12, 16-23, 33-36, 38-41, 44-49
AD[1:0]	50-51	
BE[3:0]		13, 24, 32, 43
BGNT	188	188
BLANK	175	175
BREQ	189	189
CAS[7:0]	60-53	60-53
C/BE[3:0]	13, 24, 32, 43	
DACRD	193	193
DACWR	194	194
DBDIR		14
DBEN		30
DCLK	180	180
DEVSEL	29	
FRAME	25	
GD[7:0]	206-199	206-199
HSYNC	187	187
IDSEL	14	
INTA	208	
IRDY	26	
LOCA		29
MA[8:0]	80-76, 72-75	80-76, 72-75
MB[8:0]	90-86, 81-82, 84-85	90-86, 81-82, 84-85
MCLK	197	197
OE[1:0]	63-62	63-62
PA[15:0]	185-182, 179-176, 173-171, 168-164	185-182, 179-176, 173-171, 168-164
PAR	31	
PD[63:0]	163-159, 157-155, 147-154, 144-137, 128-133, 135-136, 127-123, 121, 119-118, 110-117, 109-108, 106-101, 91-92, 95-100	163-159, 157-155, 147-154, 144-137, 128-133, 135-136, 127-123, 121, 119-118, 110-117, 109-108, 106-101, 91-92, 95-100
RAS[1:0]	65-64	65-64
RESET	2	



Table 3-2. Alphabetical Pin Listing (Continued)

Name	PIN(S)	
	PCI	VL
$\overline{\text{RDYIN}}$		26
RS[2:0]	192-190	192-190
$\overline{\text{RMSTRD}}$	207	207
SADS		25
SCLK	3	3
$\overline{\text{SENSE}}$	189	189
SINTR		208
$\overline{\text{SM/IO/D1}}$		50
$\overline{\text{SRDY}}$		28
$\overline{\text{SRESET}}$		2
STOP	30	
STWR	195	195
$\overline{\text{SW/R/D0}}$		51
$\overline{\text{TRDY}}$	28	
VCLK	169	169
VDD	10, 42, 66, 68, 93, 120, 145, 174, 196	10, 42, 66, 68, 93, 120, 145, 174, 196
VSS	1, 15, 27, 37, 52, 61, 67, 71, 83, 94, 107, 122, 134, 146, 158, 170, 181, 198	1, 15, 27, 37, 52, 61, 67, 71, 83, 94, 107, 122, 134, 146, 158, 170, 181, 198
VSYNC	186	186
WE[1:0]	70-69	70-69



Table 3-3. Numerical Pin Listing

Number	PCI	Name	VL
1	VSS		VSS
2	RESET		SRESET
3	SCLK		SCLK
4	AD31		AD31
5	AD30		AD30
6	AD29		AD29
7	AD28		AD28
8	AD27		AD27
9	AD26		AD26
10	VDD		VDD
11	AD25		AD25
12	AD24		AD24
13	C/BE3		BE3
14	IDSEL		DBDIR
15	VSS		VSS
16	AD23		AD23
17	AD22		AD22
18	AD21		AD21
19	AD20		AD20
20	AD19		AD19
21	AD18		AD18
22	AD17		AD17
23	AD16		AD16
24	C/BE2		BE2
25	FRAME		SADS
26	IRDY		RDYIN
27	VSS		VSS
28	TRDY		SRDY
29	DEVSEL		LOCA
30	STOP		DBEN
31	PAR		ABEN
32	C/BE1		BE1
33	AD15		AD15
34	AD14		AD14
35	AD13		AD13
36	AD12		AD12
37	VSS		VSS
38	AD11		AD11
39	AD10		AD10
40	AD9		AD9
41	AD8		AD8
42	VDD		VDD



Table 3-3. Numerical Pin Listing (Continued)

Number	Name	
	PCI	VL
43	C/BE0	BE0
44	AD7	AD7
45	AD6	AD6
46	AD5	AD5
47	AD4	AD4
48	AD3	AD3
49	AD2	AD2
50	AD1	SM/I0/D1
51	AD0	SW/R/D0
52	VSS	VSS
53	CAS0	CAS0
54	CAS1	CAS1
55	CAS2	CAS2
56	CAS3	CAS3
57	CAS4	CAS4
58	CAS5	CAS5
59	CAS6	CAS6
60	CAS7	CAS7
61	VSS	VSS
62	OE0	OE0
63	OE1	OE1
64	RAS0	RAS0
65	RAS1	RAS1
66	VDD	VDD
67	VSS	VSS
68	VDD	VDD
69	WE0	WE0
70	WE1	WE1
71	VSS	VSS
72	MA3	MA3
73	MA2	MA2
74	MA1	MA1
75	MA0	MA0
76	MA4	MA4
77	MA5	MA5
78	MA6	MA6
79	MA7	MA7
80	MA8	MA8
81	MB3	MB3
82	MB2	MB2
83	VSS	VSS
84	MB1	MB1



Table 3-3. Numerical Pin Listing (Continued)

Number	Name	
	PCI	VL
85	MB0	MB0
86	MB4	MB4
87	MB5	MB5
88	MB6	MB6
89	MB7	MB7
90	MB8	MB8
91	PD7	PD7
92	PD6	PD6
93	VDD	VDD
94	VSS	VSS
95	PD5	PD5
96	PD4	PD4
97	PD3	PD3
98	PD2	PD2
99	PD1	PD1
100	PD0	PD0
101	PD8	PD8
102	PD9	PD9
103	PD10	PD10
104	PD11	PD11
105	PD12	PD12
106	PD13	PD13
107	VSS	VSS
108	PD14	PD14
109	PD15	PD15
110	PD23	PD23
111	PD22	PD22
112	PD21	PD21
113	PD20	PD20
114	PD19	PD19
115	PD18	PD18
116	PD17	PD17
117	PD16	PD16
118	PD24	PD24
119	PD25	PD25
120	VDD	VDD
121	PD26	PD26
122	VSS	VSS
123	PD27	PD27
124	PD28	PD28
125	PD29	PD29
126	PD30	PD30



Table 3-3. Numerical Pin Listing (Continued)

Number	Name	
	PCI	VL
127	PD31	PD31
128	PD39	PD39
129	PD38	PD38
130	PD37	PD37
131	PD36	PD36
132	PD35	PD35
133	PD34	PD34
134	VSS	VSS
135	PD33	PD33
136	PD32	PD32
137	PD40	PD40
138	PD41	PD41
139	PD42	PD42
140	PD43	PD43
141	PD44	PD44
142	PD45	PD45
143	PD46	PD46
144	PD47	PD47
145	VDD	VDD
146	VSS	VSS
147	PD55	PD55
148	PD54	PD54
149	PD53	PD53
150	PD52	PD52
151	PD51	PD51
152	PD50	PD50
153	PD49	PD49
154	PD48	PD48
155	PD56	PD56
156	PD57	PD57
157	PD58	PD58
158	VSS	VSS
159	PD59	PD59
160	PD60	PD60
161	PD61	PD61
162	PD62	PD62
163	PD63	PD63
164	PA0	PA0
165	PA1	PA1
166	PA2	PA2
167	PA3	PA3
168	PA4	PA4



Table 3-3. Numerical Pin Listing (Continued)

Number	PCI	Name	VL
169		VCLK	VCLK
170	VSS		VSS
171		PA5	PA5
172		PA6	PA6
173		PA7	PA7
174	VDD		VDD
175		BLANK	BLANK
176		PA8	PA8
177		PA9	PA9
178		PA10	PA10
179		PA11	PA11
180		DCLK	DCLK
181	VSS		VSS
182		PA12	PA12
183		PA13	PA13
184		PA14	PA14
185		PA15	PA15
186		VSYNC	VSYNC
187		HSYNC	HSYNC
188		BGNT	BGNT
189		SENSE/BREQ	SENSE/BREQ
190		RS0	RS0
191		RS1	RS1
192		RS2	RS2
193		DACRD	DACRD
194		DACWR	DACWR
195		STWR	STWR
196	VDD		VDD
197		MCLK	MCLK
198	VSS		VSS
199		GD0	GD0
200		GD1	GD1
201		GD2	GD2
202		GD3	GD3
203		GD4	GD4
204		GD5	GD5
205		GD6	GD6
206		GD7	GD7
207		RMSTRD	RMSTRD
208		INTA	SINTR



Section 4: Electrical Data

4.1 MAXIMUM RATINGS

Table 4-1. Absolute Maximum Ratings

Ambient temperature	0° C to 70° C
Storage temperature	-40° C to 125° C
DC Supply Voltage	-0.5V to 7.0V
I/O Pin Voltage with respect to V _{SS}	-0.5V to V _{DD} +0.5V

4.2 DC SPECIFICATIONS

Table 4-2. DC Specifications (V_{DD} = 5V ± 5%)

Symbol	Parameter	Min	Max	Unit
V _{IL}	Input Low Voltage		0.8	V
V _{IH}	Input High Voltage	2.4		V
V _{OL}	Output Low Voltage		V _{SS} + 0.4	V
V _{OH}	Output High Voltage	2.4		V
I _{OL1}	Output Low Current	4 (Note 1)		mA
I _{OH1}	Output High Current	-2		mA
I _{OL2}	Output Low Current	8 (Note 2)		mA
I _{OH2}	Output High Current	-4		mA
I _{OL3}	Output Low Current	16 (Note 3)		mA
I _{OH3}	Output High Current	-8		mA
I _{OL4}	Output Low Current	24 (Note 4)		mA
I _{OH4}	Output High Current	-10		mA
I _{oz}	Output Tri-state Current		1	μA
C _{IN}	Input Capacitance		5	pF
C _{OUT}	Output Capacitance		5	pF
I _{CC}	Power Supply Current		350	mA



Notes for Table 4-2

1. I_{OL1}, I_{OH1} for pins $\overline{\text{BLANK}}$, $\overline{\text{CAS}}[7:0]$, $\overline{\text{DACRD}}$, $\overline{\text{DACWR}}$, $\overline{\text{GD}}[7:0]$, $\overline{\text{HSYNC}}$, $\overline{\text{INTA}}$, $\overline{\text{MA}}[8:0]$, $\overline{\text{MB}}[8:0]$, $\overline{\text{PA}}[15:0]$, $\overline{\text{PD}}[63:0]$, $\overline{\text{RS}}[2:0]$, $\overline{\text{RMSTRD}}$, $\overline{\text{SINTR}}$, $\overline{\text{STWR}}$, $\overline{\text{VSYNC}}$
2. I_{OL2}, I_{OH2} for pins $\overline{\text{VCLK}}$, $\overline{\text{AD}}[31:0]$
3. I_{OL3}, I_{OH3} for pins $\overline{\text{OE}}[1:0]$, $\overline{\text{RAS}}[1:0]$
4. I_{OL4}, I_{OH4} for pins $\overline{\text{PAR}}$ ($\overline{\text{ABEN}}$), $\overline{\text{STOP}}$ ($\overline{\text{DBEN}}$), $\overline{\text{DEVSEL}}$ ($\overline{\text{LOCA}}$), $\overline{\text{TRDY}}$ ($\overline{\text{SRDY}}$), $\overline{\text{WE}}[1:0]$

Note

Pin names for VL-Bus configurations are shown in parentheses.

4.3 AC SPECIFICATIONS

Notes

1. All AC timings are based on an 80 pF test load.
2. Functional timing diagrams are found in the appropriate functional description section, i.e., System Bus Interfaces, Display Memory or Miscellaneous Functions.



4.3.1 Clock Timing

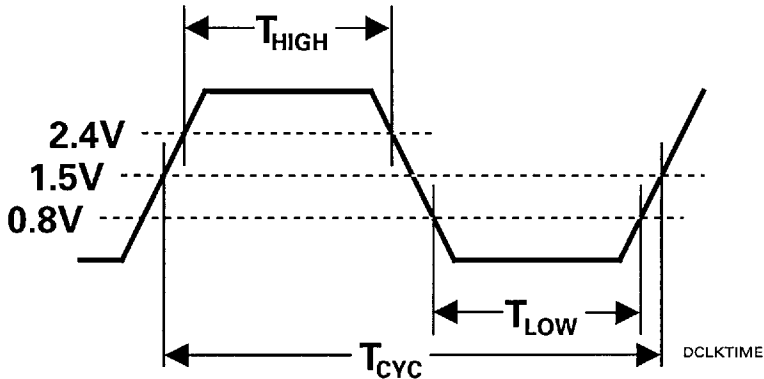


Figure 4-1. Clock Waveform Timing

Table 4-3. Clock Waveform Timing

Symbol	Parameter	Min	Max	Units	Notes
T_{CYC}	SCLK Cycle Time (VL-Bus)	20	125	ns	1
	SCLK Cycle Time (PCI)	30	125	ns	1
	MCLK Cycle Time	16.7	25	ns	
	DCLK Cycle Time (VGA Mode)	25	100	ns	1
	DCLK Cycle Time (Enhanced Mode)	10.5	100	ns	1
T_{HIGH}	SCLK High Time (VL-Bus)	8	80	ns	
	SCLK High Time (PCI)	12	80	ns	
	MCLK High Time	6	10	ns	
	DCLK High Time (VGA Mode)	10	65	ns	
	DCLK High Time (Enhanced Mode)	4	65	ns	
T_{LOW}	SCLK Low Time (VL-Bus)	8	80	ns	
	SCLK Low Time (PCI)	12	80	ns	
	MCLK Low Time	6	10	ns	
	DCLK Low Time (VGA Mode)	10	65	ns	
	DCLK Low Time (Enhanced Mode)	4	65	ns	
	SCLK Slew Rate	1	4	V/ns	2
	MCLK Slew Rate	1	4	V/ns	2
	DCLK Slew Rate	1	4	V/ns	2

Notes:

- $f_{DCLK} \geq 1/2 f_{SCLK}$ to ensure valid writes to the clock chip.
- Rise and fall times are specified in terms of the edge rate measured in V/ns. This slew rate must be met across the minimum peak-to-peak portion of the clock waveform.



4.3.2 Input/Output Timing

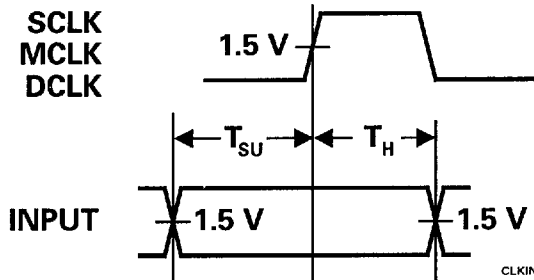


Figure 4-2. Input Timing

Table 4-4. SCLK-Referenced Input Timing

PCI Bus			
Symbol	Parameter	Min	Units
T_{SU}	$\overline{AD}[31:0]$, $\overline{C}/\overline{BE}[3:0]$, \overline{FRAME} , \overline{IRDY} , \overline{IDSEL} setup	7	ns
T_H	$\overline{AD}[31:0]$ hold	1	ns
T_H	$\overline{C}/\overline{BE}[3:0]$, \overline{FRAME} , \overline{IRDY} , \overline{IDSEL} hold	0	ns
VL-Bus			
Symbol	Parameter	Min	Units
T_{SU}	$\overline{AD}[31:2]$, $\overline{BE}[3:0]$, $\overline{SM}/\overline{IO}$, $\overline{SW}/\overline{R}$, \overline{SADS} (address phase) setup	12	ns
T_H	$\overline{AD}[31:2]$, $\overline{BE}[3:0]$, $\overline{SM}/\overline{IO}$, $\overline{SW}/\overline{R}$, \overline{SADS} (address phase) hold	0	ns
T_{SU}	$\overline{AD}[31:2]$, $\overline{BE}[3:0]$, $\overline{D1}$, $\overline{D0}$, \overline{SADS} (data phase) setup	4	ns
T_H	$\overline{AD}[31:2]$, $\overline{BE}[3:0]$, $\overline{D1}$, $\overline{D0}$, \overline{SADS} (data phase) hold	0	ns
T_{SU}	\overline{RDYIN} setup	6	ns
T_H	\overline{RDYIN} hold	1	ns
Miscellaneous			
Symbol	Parameter	Min	Units
T_{SU}	ROM Data GD[7:0] Setup (PCI)	5	ns
T_H	ROM Data GD[7:0] Hold (PCI)	7	ns
T_{SU}	General Input Port GD[7:0] setup	5	ns
T_H	General Input Port GD[7:0] hold	7	ns

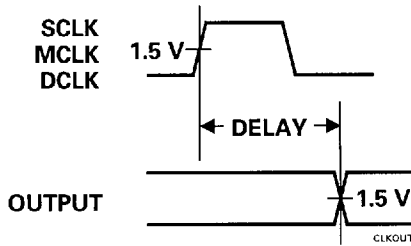


Figure 4-3. Output Timing

Table 4-5. SCLK-Referenced Output Timing

PCI Bus				
Parameter	T _{MIN}	T _{MAX}	Units	Notes
AD[31:0] valid delay	2	16	ns	1
DEVSEL, PAR delay	2	11	ns	Medium DEVSEL timing used
$\overline{\text{STOP}}$ delay	2	11	ns	
$\overline{\text{TRDY}}$ delay	2	11	ns	
$\overline{\text{INTA}}$ delay	2	11	ns	
VL-Bus				
Parameter	T _{MIN}	T _{MAX}	Units	Notes
AD[31:2], D1, D0 valid delay	7	16	ns	
SINTR delay	5	30	ns	
$\overline{\text{SRDY}}$ delay	5	11	ns	
$\overline{\text{LOCA}}$ active delay	5	15	ns	
$\overline{\text{LOCA}}$ inactive delay	5	20	ns	
DBDIR delay	5	16	ns	
$\overline{\text{ABEN}}$, $\overline{\text{DBEN}}$ active delay (min non-overlap)	5	12	ns	
$\overline{\text{ABEN}}$, $\overline{\text{DBEN}}$ active delay (max non-overlap)	5	15	ns	
$\overline{\text{ABEN}}$, $\overline{\text{DBEN}}$ inactive delay	5	13	ns	
Miscellaneous				
Parameter	T _{MIN}	T _{MAX}	Units	Notes
RS[2:0] delay	5	20	ns	
$\overline{\text{RMSTRD}}$ delay	3	15	ns	
ROM Address valid delay (PCI)	5	30	ns	
AD[7:0] ROM Data valid delay (PCI)	5	30	ns	

Note

- Due to the timing for $\overline{\text{TRDY}}$ for read cycles, data is not sampled on the clock edge immediately following its becoming valid. This guarantees the PCI 2.0 specification time of 11 ns.

**Table 4-6. MCLK-Referenced Input Timing**

Symbol	Parameter	Min	Units
T _{SU}	PD[63:0] setup (EDO memory)	0	ns
T _H	PD[63:0] hold (EDO memory)	10	ns
T _{SU}	General Input Port GD[7:0] setup	5	ns
T _H	General Input Port GD[7:0] hold	7	ns

Table 4-7. MCLK-Referenced Output Timing

Parameter	T _{MIN}	T _{MAX}	Units
RAS[1:0] active delay	4	12	ns
RAS[1:0] inactive delay	4	10	ns
CAS[7:0], OE[1:0], WE[1:0] active delay	5	12	ns
CAS[7:0], OE[1:0], WE[1:0] inactive delay (min stretch)	4	8	ns
CAS[7:0], OE[1:0], WE[1:0] inactive delay (max stretch)	6	17	ns
MA[8:0], MB[8:0] valid delay	5	24	ns
PD[63:0] valid delay	5	27	ns
DACRD, DACWR delay	3	20	ns

Table 4-8. DCLK-Referenced Output Timing

Parameter	T _{MIN}	T _{MAX}	Units
BLANK, HSYNC, VSYNC	3	17	ns
PA[15:0] valid delay	5	14	ns
STWR delay	3	15	ns
General Output Port Data GD[7:0] delay	5	20	ns
VCLK delay	5	16	ns

Table 4-9. Fast Page Mode Memory Input Timing

Symbol	Parameter	Min	Units
T _{SU}	PD[63:0] setup to CAS[7:0] inactive	0	ns
T _H	PD[63:0] hold from CAS[7:0] inactive	5	ns

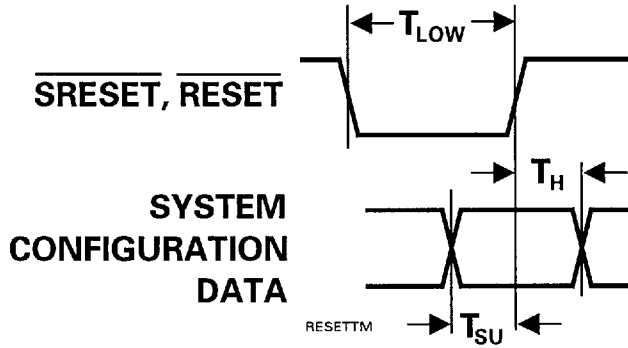


Figure 4-4. Reset Timing

Table 4-10. Reset Timing

Symbol	Parameter	Min	Units
T_{LOW}	$\overline{\text{SRESET}}$ (VL) or $\overline{\text{RESET}}$ (PCI) active pulse width	400	ns
T_{SU}	PD[23:0] setup to $\overline{\text{SRESET}}$ (VL) or $\overline{\text{RESET}}$ (PCI) inactive	20	ns
T_{H}	PD[23:0] hold from $\overline{\text{SRESET}}$ (VL) or $\overline{\text{RESET}}$ (PCI) inactive	10	ns

4.4 OUTPUT BUFFER MODEL

Figure 4-5 shows a first order output buffer model for the Vision864. The parameters are:

Parameter	Description
dV/dt	Minimum and maximum rate of change of the open circuit voltage source used in the buffer model
R_0	Minimum and maximum output impedance of the buffer model
C_0	Minimum and maximum capacitance used in the buffer model
L_P	Minimum and maximum package inductance
C_P	Minimum and maximum package capacitance

The parameter values appropriate for the Vision864 depend on the manufacturing process and can be obtained directly from S3.

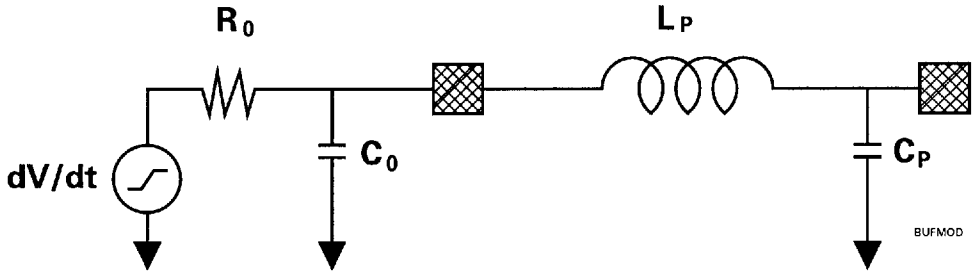


Figure 4-5. First Order Output Buffer Model

4.5 POWER ISOLATION CONSIDERATIONS

Because of electrical noise considerations, each power (VDD) pin must be isolated as shown in Figure 4-6. The layout with each power pin properly isolated is shown in Figure 4-7.

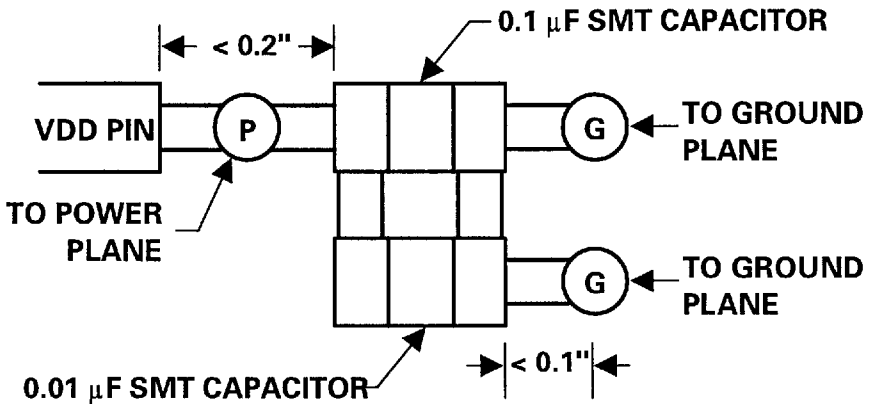


Figure 4-6. Power Pin Isolation Detail

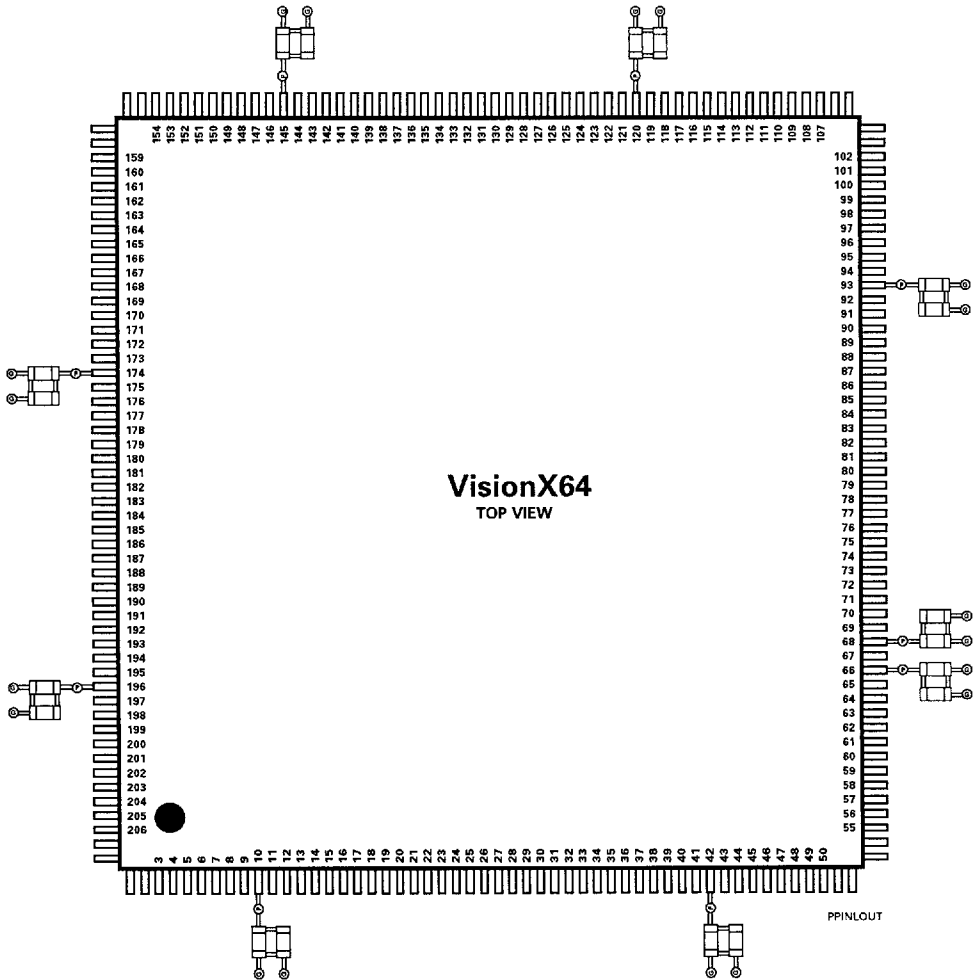


Figure 4-7. Power Pin Connection Requirements



Section 5: Reset and Initialization

The reset signal (RESET for PCI, SRESET for VL-Bus) is clocked into the Vision864 by the DCLK input. This resets the internal state machines in the Vision864 and places all registers in their power-on default states. It also initiates several configuration actions, as described in this section.

5.1 CONFIGURATION STRAPPING

The PD[23:0] pins can be individually pulled either high or low through 47 K Ω resistors. These pull-ups and pull-downs do not affect normal operation of the pins as part of the pixel data bus, but they do force the pins to a definite state on reset. At the rising edge of the reset signal, this state is sampled and data loaded into the CR36, CR37 and CR68 registers. The data is used for system configuration, such as system bus and memory parameter selection. The definitions of the PD[23:0] strapping bits at the rising edge of the reset signal are shown in Table 5-1.

Strapping bits 7-5 define the display memory size. However, the S3 BIOS directly determines this value and writes it to CR36 bits 7-5 after reset. Therefore, systems using the S3 BIOS do not need to strap the PD[7-5] pins.

Strapping bits 15-13 provide monitor information. The interpretation of the bit values is dependent on the video BIOS.

5.2 GENERAL DATA BUS AT RESET

At power-on reset, the GD[3:0] lines are all zeros and the STWR signal is asserted to latch them into the clock chip. See the Clock Generator dis-

cussion in the Miscellaneous Interfaces section of this data book for more details.

The GD[7:5] lines are input at reset and the values on these lines are latched into bits 6-4 of 42E8H. These are user-definable bits. An external source (such as monitor ID lines) can be connected to the General Input Port bits 7-5 and these will be captured on reset. Alternately, GD[7:5] can be strapped high or low through 47 K Ω resistors to set bits 6-4 of 42E8H to a fixed value on reset.

The GD4 pin is tri-stated on reset.

5.3 PREVENTING BUS LOADS DURING RESET

The VL-Bus specification requires that the address and data busses not be driven during reset. To ensure this, the ABEN and DBEN pins should be pulled high through 10 K Ω resistors. This prevents them from floating low during reset and allowing the busses to be driven.



Table 5-1. Definition of PD[23:0] at the Rising Edge of the Reset Signal

CR Bits	PD Bits	Value	Function
System Bus Select			
CR36_1-0	1-0	00	Reserved
		01	VESA local bus
		10	PCI local bus
		11	Reserved
Memory Page Mode Select			
CR36_3-2	3-2	00	Reserved
		01	Reserved
		10	Extended data out (EDO) mode
		11	Fast page mode
Enable Video BIOS (VL-Bus)			
CR36_4	4	0	Disable video BIOS access (system BIOS contains video BIOS)
		1	Enable video BIOS access
Display Memory Size			
CR36_7-5	7-5	000	4 MBytes
		001	Reserved
		010	3 MBytes
		011	Reserved
		100	2 MBytes
		101	Reserved
		110	1 MByte
		111	Reserved
Setup Select (VL-Bus)			
CR37_0	8	0	Disable Vision864 except for Video BIOS accesses
		1	Enable Vision 864
Test Mode			
CR37_1	9	0	All outputs except \overline{OE} tri-stated and all bi-directional pins become inputs
		1	Normal operation. Certain outputs required for the reset process are not tri-stated during reset
Video BIOS ROM Size (VL-Bus)			
CR37_2	10	0	64-KByte video BIOS
		1	32-KByte video BIOS
Dual CAS Select			
CR37_3	11	0	Dual \overline{WE} byte select
		1	Dual \overline{CAS} byte select
Disable LOCA/SRDY for RAMDAC Writes (VL-Bus)			
CR37_4	12	0	Disable LOCA/SRDY for RAMDAC writes
		1	Enable LOCA/SRDY for RAMDAC writes



Table 5-1. Definition of PD[23:0] at the Rising Edge of the Reset Signal (Continued)

CR Bits	PD Bits	Value	Function
Monitor Identification			
CR37_7-5	15-13		The S3 video BIOS uses these bits for monitor information
CAS/OE Low Stretch			
CR68_1-0	17-16	00	6.5 ns delay (nominal)
		01	5 ns delay (nominal)
		10	3.5 ns delay (nominal)
		11	No delay
Memory Address Depth Select			
CR68_3-2	19-18	00	Reserved
		01	Reserved
		10	Reserved
		11	256K (512 rows x 512 columns)
RAS Low Timing Select			
CR68_5-4	21-20	00	6.5 MCLKs
		01	5.5 MCLKs
		10	4.5 MCLKs
		11	3.5 MCLKs
RAS Pre-Charge Timing Select			
CR68_7-6		00	Reserved
		01	4.5 MCLKs
		10	3.5 MCLKs
		11	2.5 MCLKs

5.4 TEST MODE

Upon power-on reset, most Vision864 output pins are tri-stated. However, some must be kept active to support the reset process. To facilitate bed-of-nails testing at the PCB level, the Vision864 incorporates a test mode that tri-states all output pins except OE[1:0] (which are driven high) and GD[3:0] (which are driven as outputs) and makes all bi-directional pins inputs. To enter this mode, power-on strapping bit 9 (CR37, bit 1) must be pulled low prior to and at reset. The outputs that are normally not tri-stated on reset but which are tri-stated in test mode are shown in Table 5-2. The Vision864 remains in test mode as long as the reset signal is held low.

Table 5-2. Signals Tri-Styled by Test Mode

Signal Name
VCLK
HSYNC
VSYNC
BLANK
STWR
RAS0
CAS[7:0]
WE[1:0]



Section 6: System Bus Interfaces

The Vision864 interfaces to either a PCI bus or a VESA local bus (VL-Bus). This section describes the connections and functional characteristics of these interfaces.

6.1 PCI BUS INTERFACE

The Vision864 provides a complete PCI interface. Power-on strapping bits 1-0 must be set to 10b to enable this interface. The pinout and other specifications are in complete conformance with Revision 2.0 of the the PCI specification. No glue logic is required.

6.1.1 PCI CONFIGURATION

The Vendor ID register (Index 00H) in the PCI Configuration space is hardwired to 5333H to specify S3 Incorporated as the vendor. The Device ID register is hardwired to 88C0H or 88C1H to specify the Vision864. Bits 10-9 of the Status register (Index 06H) are hardwired to 01b to specify medium $\overline{\text{DEVSEL}}$ timing. Bit 0 of the Programming Interface register (Index 0AH) is hardwired to 1 to specify that the Vision864 supports the standard VGA programming interface. Bits 3-0 of the Base Address 0 register (Index 10H) are hardwired to 00H. This indicates that the "prefetchable" bit is cleared to 0, the base register can be located anywhere in a 32-bit address space and the base register is located in memory space.

6.1.2 PCI Bus Cycles

Figures 6-1 and 6-2 show the basic PCI read and write cycles respectively. Bit 1 of the PCI Command register (Index 04H) must be set to 1 to

allow memory space access. Bit 0 of the PCI Command register must be set to 1 to allow I/O space access.

Figures 6-3 and 6-4 show two examples of PCI bus disconnection. These examples show cases where data is transferred after $\overline{\text{STOP}}$ is asserted. In example A, data is transferred after $\overline{\text{FRAME}}$ is deasserted because the master was not ready ($\overline{\text{IRDY}}$ deasserted on clock 2). In example B, data is transferred before $\overline{\text{FRAME}}$ is deasserted. See the *PCI Local Bus Specification* for a complete explanation of disconnects. Bit 7 of the CR66 register must be set to 1 to enable PCI disconnects.

The PCI configuration register space occupies 256 bytes. When a configuration read or write command is issued, the AD[7:0] lines contain the address of the register in this space to be accessed. Figures 6-5 and 6-6 show the configuration read and write cycles respectively. The Vision864 supports or returns 0 for the first 64 bytes of configuration space.

The Vision864 drives even parity information onto the PAR line during read transactions. This operation is depicted in Figure 6-7.

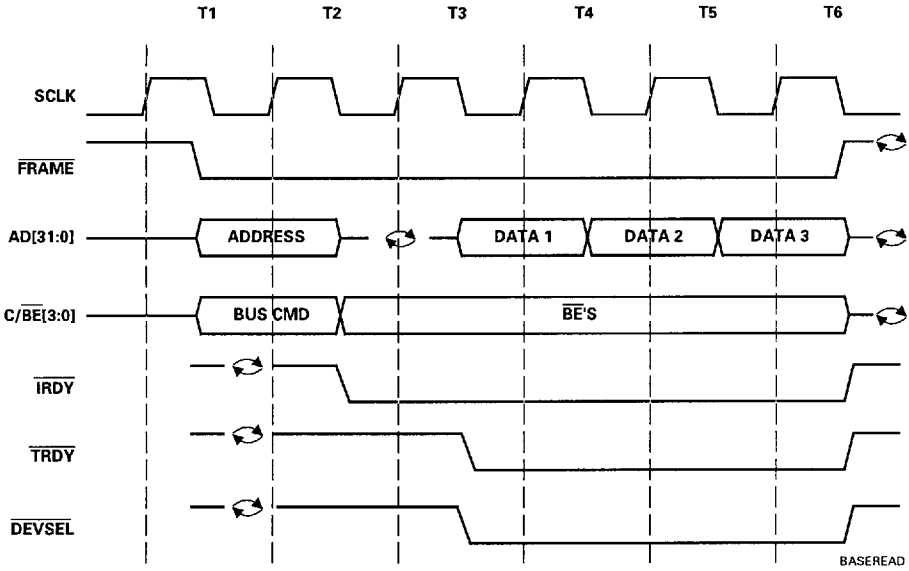


Figure 6-1. Basic PCI Read Cycle

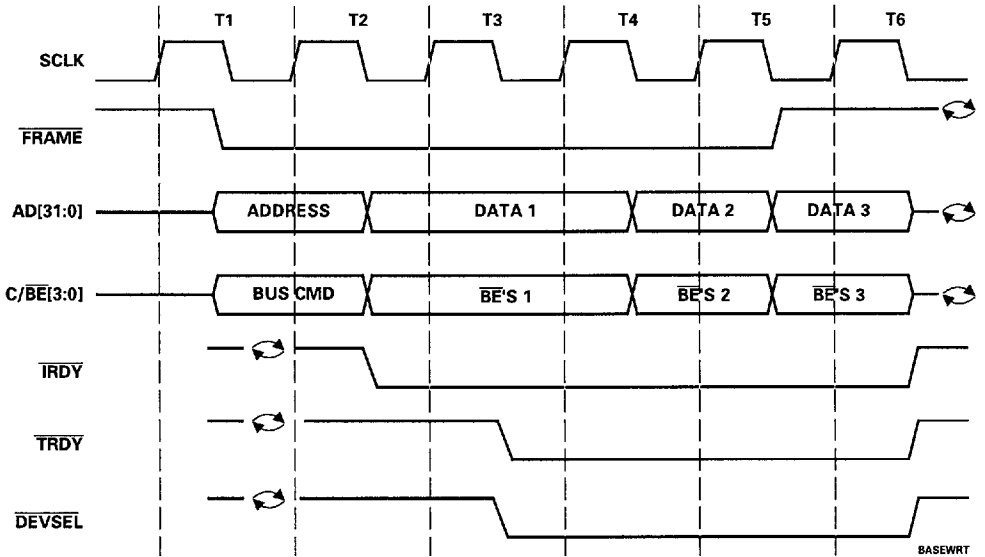


Figure 6-2. Basic PCI Write Cycle

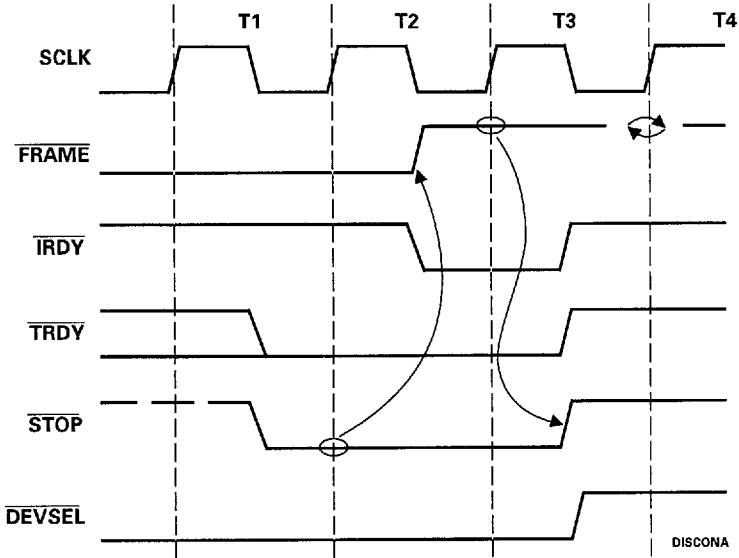


Figure 6-3. PCI Disconnect Example A

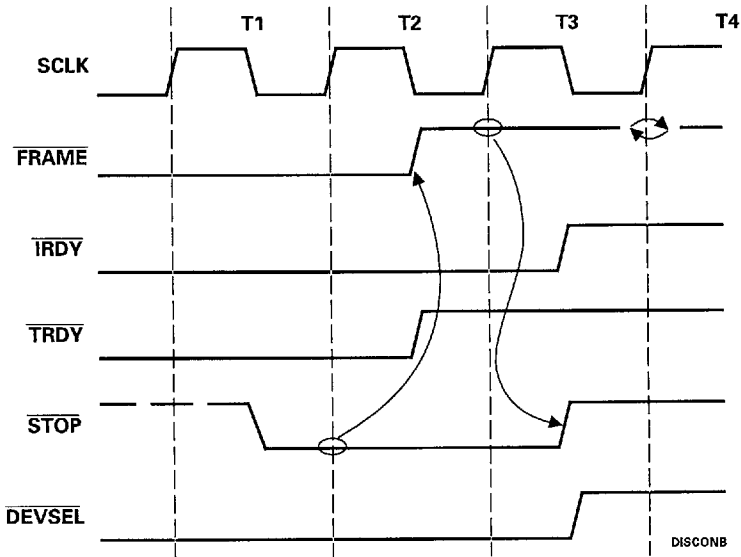


Figure 6-4. PCI Disconnect Example B

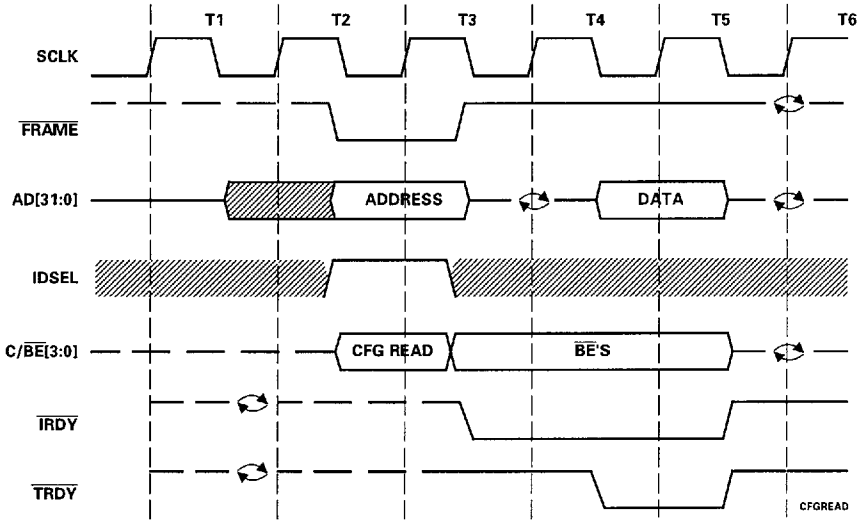


Figure 6-6. PCI Configuration Write Cycle

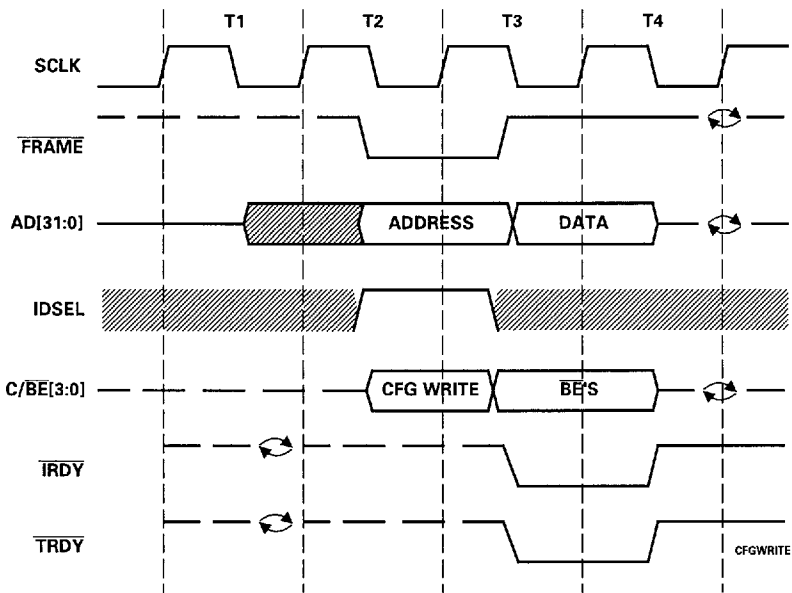


Figure 6-5. PCI Configuration Write Cycle

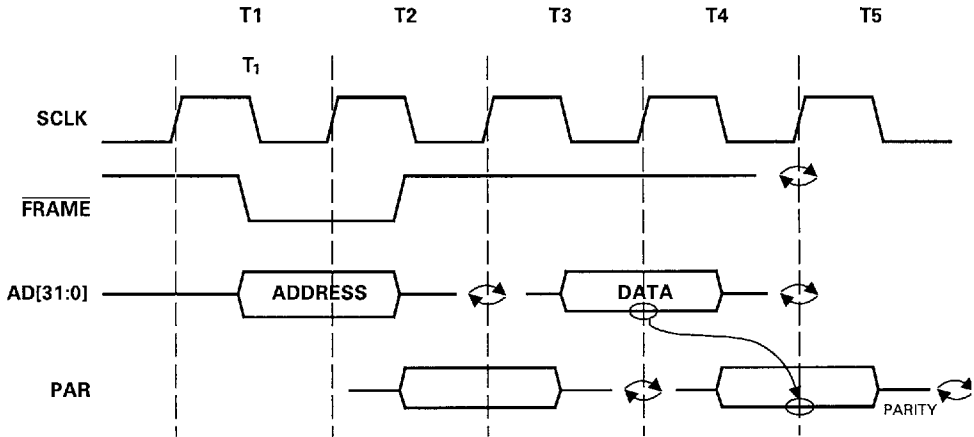


Figure 6-7. Read Parity Operation

6.2 VL-BUS INTERFACE

Power-on strapping bits 1-0 must be set to 01b to enable VL-Bus operation. Because the address and data busses are multiplexed on the same pins, a VL-Bus interface requires glue logic to provide the correct bus information and direction. Figure 6-8 shows how eight F245-type devices are configured to provide the necessary control. One or more specialized ASICs are available to reduce the number of chips required to provide this interface. The buffer enables (\overline{ABEN} and \overline{DBEN}) and the data buffer direction signal (DBDIR) are provided by the Vision864.

6.2.1 VL-Bus Cycles

The basic VL-Bus read cycle is shown in Figure 6-9. Note that the A[31:2], M/I \overline{O} and W/R inputs from the VL-Bus must first pass through the interface buffers, which in turn feed AD[31:2], SM/I \overline{O} and SW/R to the Vision864. The address is

latched by the Vision864 on one of two rising SCLK edges as shown in Figure 6-10 and explained in Note 1. The programmability of the gap between \overline{ABEN} deasserted and \overline{DBEN} asserted and vice versa is also indicated in Figure 6-10 and explained by Note 2. During this gap, the address/data bus is tri-stated and switches from address input to data output. The progress of the data back through the interface buffers to the VL-Bus is not shown on the diagram.

The basic VL-Bus write cycle is shown in Figure 6-11. The cycle is similar to a read cycle except there is no bus turnaround when the direction of the interface buffers is reversed. The single wait-state is the default configuration. This can be changed to 0 wait-states (SRDY asserted one cycle earlier) by clearing bit 4 of CR40 to 0. The address is latched at the end of T1. By default, write data is latched on the first rising SCLK edge after the assertion of RDYIN. This can be changed to the first rising SCLK edge after the assertion of SRDY by setting bit 5 of CR40 to 1.

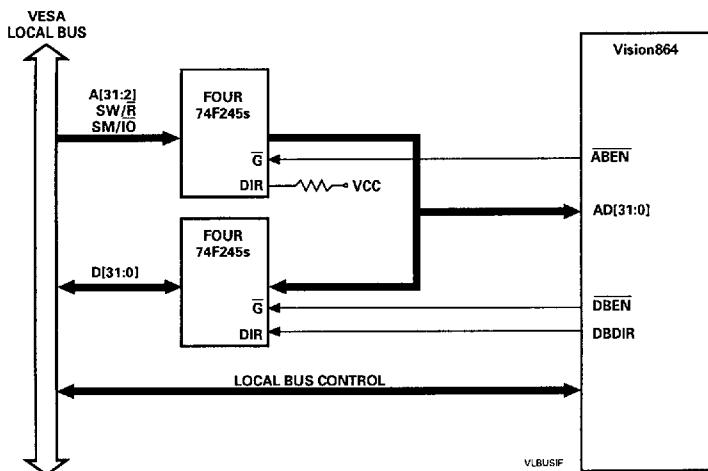


Figure 6-8. VL-Bus Interface

6.2.2 SRDY Generation

For a VL-Bus configuration, the Vision864 raises its $\overline{\text{SRDY}}$ output early in the T_1 cycle and then tri-states it. It then asserts $\overline{\text{SRDY}}$ to signal the end of the cycle. Some systems synchronize or otherwise delay this signal and then assert $\overline{\text{RDY}}$ to the processor. If this is done, this $\overline{\text{RDY}}$ signal should also be fed to the $\overline{\text{RDYIN}}$ input of the Vision864 (see Note 3 of Figure 6-9). The Vision864 holds read data active until $\overline{\text{RDYIN}}$ is asserted. If the $\overline{\text{SRDY}}$ signal is not intercepted, it should be fed to both the processor $\overline{\text{RDY}}$ input and the Vision864 $\overline{\text{RDYIN}}$ input.

6.3 LOCAL BUS CLOCKING

The Vision864 expects a 1X SCLK like that used in a 486 system. Figure 6-9 shows one possible circuit for building such a 1X clock from the 386 2X clock. Since the Vision864 requires a clock during reset, any circuit used to generate a synchronized 1X clock must be free-running during reset.

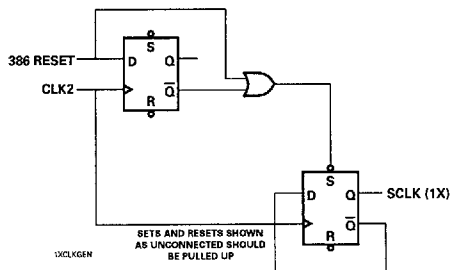


Figure 6-9. 1X Clock Generation

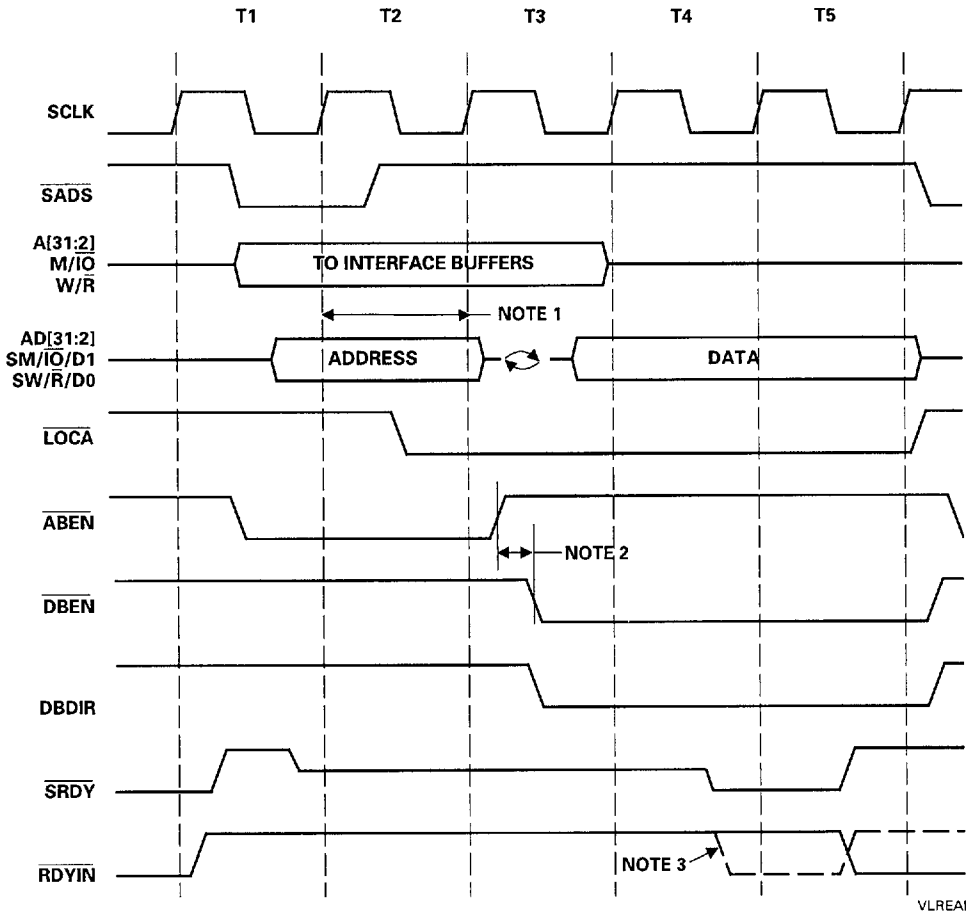


Figure 6-10. VL-Bus Read Cycle

Notes

1. The address is latched on the first clock edge indicated here if bit 3 of CR58 is set to 1. If this bit is cleared to 0, the address is latched on the second clock edge indicated.
2. The non-overlap time between \overline{ABEN} deasserted and \overline{DBEN} asserted (and vice versa) is programmable via bits 7-6 of CR40.
3. The system chip set can delay the \overline{RDYIN} input by 1 or more cycles. This example assumes a 1 cycle delay, as indicated by the solid line. Note that read data is held valid an extra cycle.

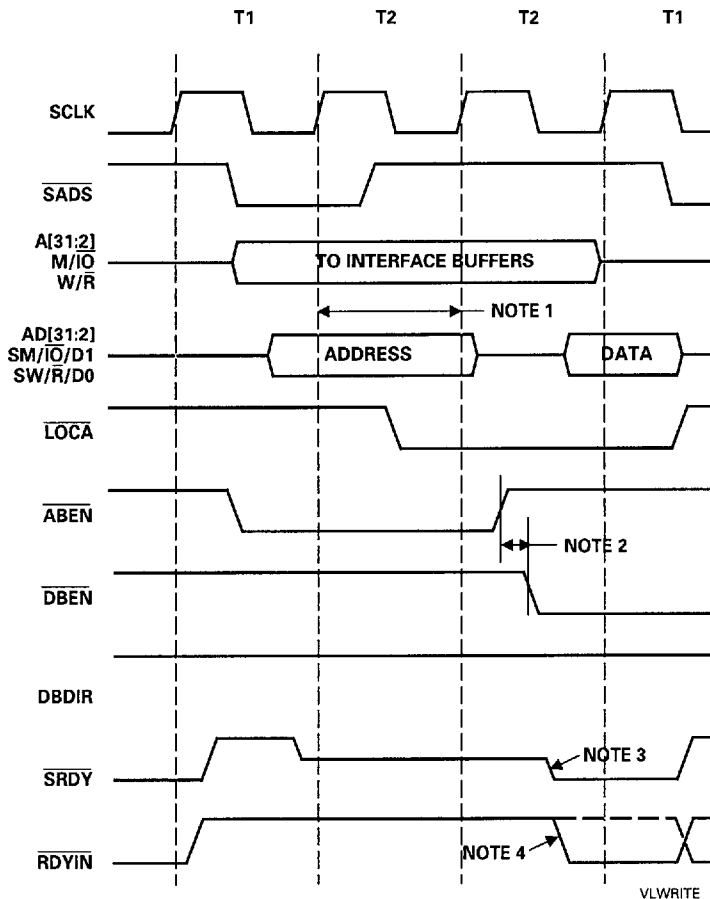


Figure 6-11. 1 Wait-state VL-Bus Write Cycle

Notes

1. For one decode wait state (bit 4 of CR40 set to 1), the address is latched on the first clock edge indicated here if bit 3 of CR58 is set to 1. If this bit is cleared to 0, the address is latched on the second clock edge indicated.
2. The non-overlap time between \overline{ABEN} deasserted and \overline{DBEN} asserted (and vice versa) is programmable via bits 7-6 of CR40
3. The wait-state is inserted by setting bit 4 of CR40 to 1 to delay \overline{SRDY} assertion by 1 cycle from the assertion of \overline{SADS} . This is the default value.
4. Data is normally latched on the rising SCLK edge following assertion of \overline{RDYIN} . This can be changed to the rising clock edge following the assertion of \overline{SRDY} by setting bit 5 of CR40 to 1.



Section 7: Display Memory

The Vision864 supports a DRAM-based video frame buffer. This section describes the various configurations supported, the functional timing for memory accesses and the operation of various register bits that affect memory timing and operation. It also describes how access to display memory is controlled to maximize graphics performance and how the Vision864 can share the frame buffer with a secondary memory controller for multimedia applications.

7.1 DISPLAY MEMORY CONFIGURATIONS

The Vision864 provides direct support for 1-, 2-, and 4-MByte DRAM configurations. Either fast page mode or extended data out (EDO) DRAMs can be used. These can be configured as 256Kx4 or 256Kx16. S3 Tech Note TN024, *DRAMs Supported by the S3 Vision864*, lists recommended DRAMs.

The Vision864 has a dual- $\overline{\text{CAS}}$ mode for x16 DRAMs with two $\overline{\text{CAS}}$ es and one $\overline{\text{WE}}$. It also has a dual- $\overline{\text{WE}}$ mode for x16 DRAMs with two $\overline{\text{WE}}$ s and one $\overline{\text{CAS}}$. Power-on strapping bit 11 is pulled high on reset to select dual- $\overline{\text{CAS}}$ mode and low to select dual- $\overline{\text{WE}}$ mode.

In dual- $\overline{\text{CAS}}$ mode, the Vision864's $\overline{\text{CAS}}$ lines connect to the $\overline{\text{CAS}}$ lines on the DRAMs and select which bytes are accessed. The Vision864's two $\overline{\text{WE}}$ lines select which 2-MByte bank is accessed. Figure 7-1 shows a 2-MByte configuration using 256Kx4 DRAMs. Figure 7-2 shows a 4-MByte configuration using 256Kx16 DRAMs. These configurations assume that dual- $\overline{\text{CAS}}$ mode is being used.

In dual- $\overline{\text{WE}}$ mode, the $\overline{\text{CAS}}$ and $\overline{\text{WE}}$ lines are swapped. That is, the eight $\overline{\text{CAS}}$ lines are connected to the $\overline{\text{WE}}$ inputs on the DRAMs and the two $\overline{\text{WE}}$ lines are connected to the $\overline{\text{CAS}}$ inputs on the DRAMs. This is illustrated in Figure 7-3 for a 1-MByte configuration. Note that only PD[31:0] are used for 1-MByte configurations. The swapping of $\overline{\text{CAS}}$ and $\overline{\text{WE}}$ is required for x4 DRAMs if the Vision864 is placed in dual- $\overline{\text{WE}}$ mode on reset.

Two memory address busses (MA[8:0] and MB[8:0]) are provided. MA[8:0] control PD[15:0] and PD[47:32]. MB[8:0] control PD[31:16] and PD[63:45].

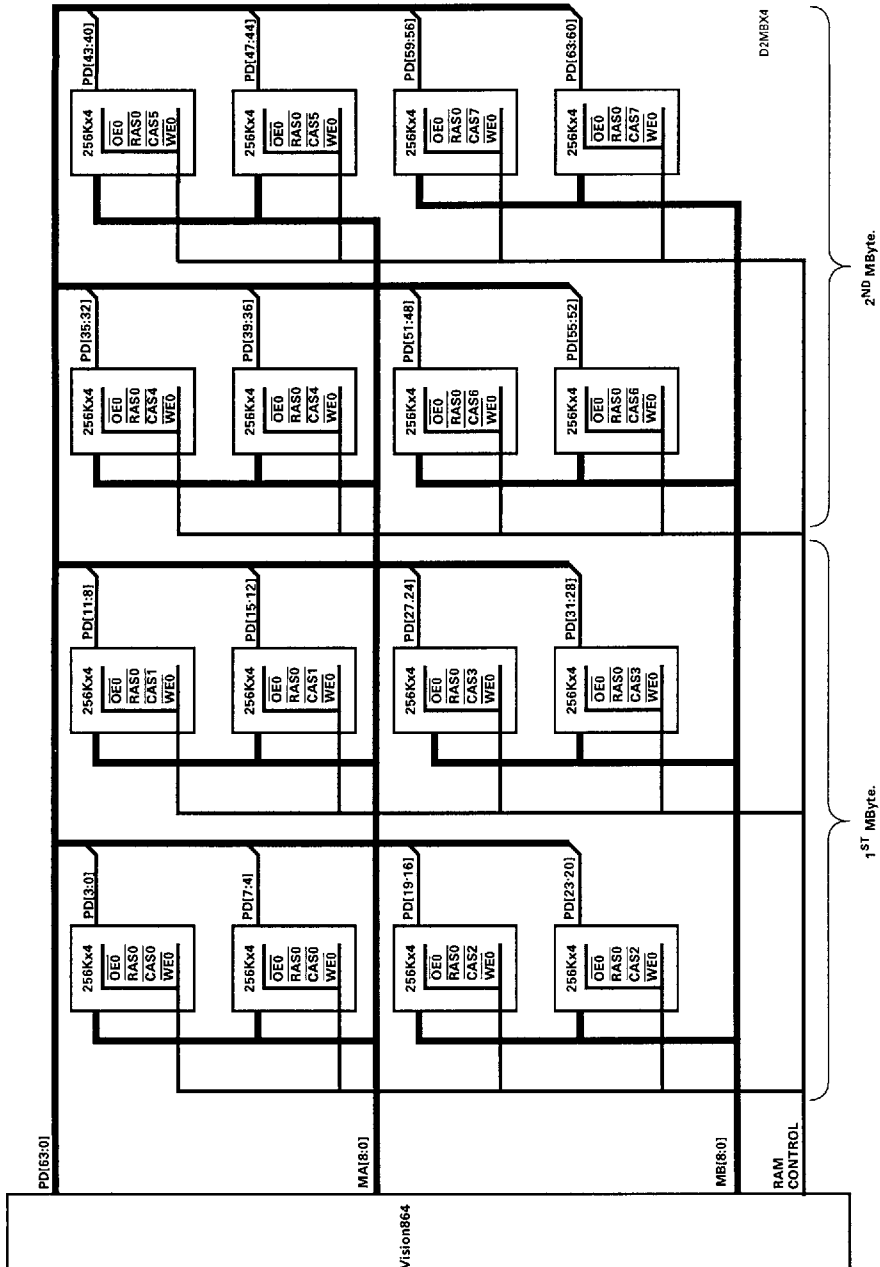


Figure 7-1. 2-MByte DRAM Configuration

■ 9005049 0000778 681 ■

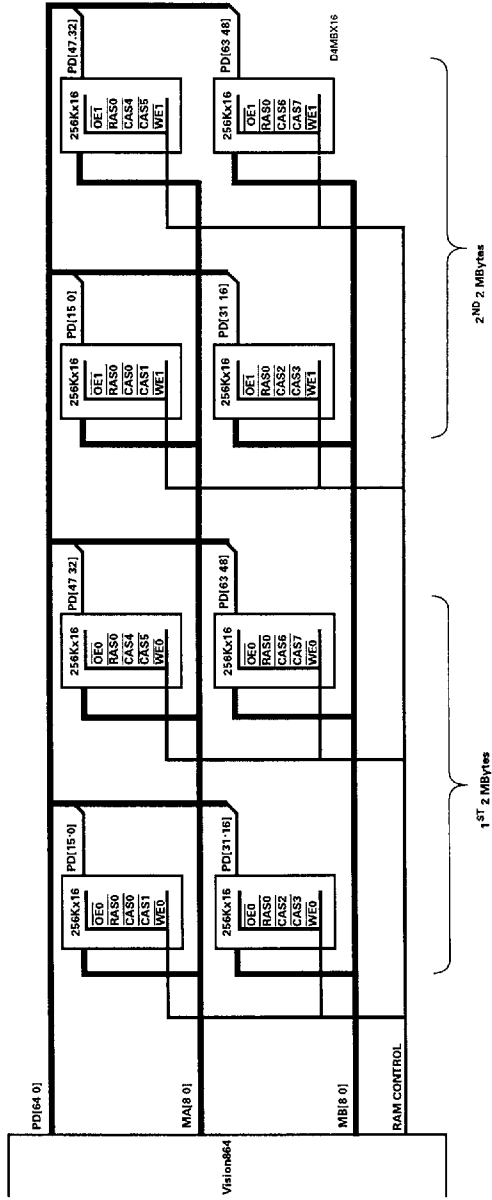


Figure 7-2. 4-MByte DRAM Configuration

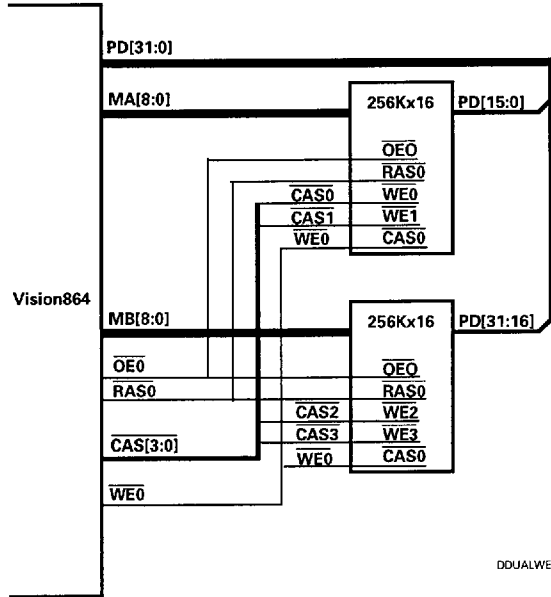


Figure 7-3. 1-MByte Dual-WE DRAM Configuration

7.2 DISPLAY MEMORY REFRESH

The Vision864 uses the standard $\overline{\text{CAS}}$ before $\overline{\text{RAS}}$ RAM refresh method. The functional timing for this can be found in any standard DRAM data book.

The number of refresh cycles performed per horizontal line is determined by bit 6 of CR11. If bit 2 of CR3A is set to 1, the number of refresh cycles per horizontal line is determined by the setting of bits 1-0 of CR3A.



7.3 DISPLAY MEMORY FUNCTIONAL TIMING

Figure 7-4 shows the functional timing for a fast page mode read cycle. This also shows how certain parameters for various control signals can be adjusted to meet the access time requirements of a variety of DRAMs. Bits 1-0 of CR68

allow the pulse widths of the $\overline{\text{CAS}}$ and $\overline{\text{OE}}$ signals to be adjusted. Bits 5-4 of CR68 allow adjustment of the $\overline{\text{RAS}}$ low time. Bits 7-6 of CR68 allow adjustment of the $\overline{\text{RAS}}$ precharge (high) time. All of these settings in CR68 can be made by power-on strapping of PD[23:16] at reset or by programming after reset.

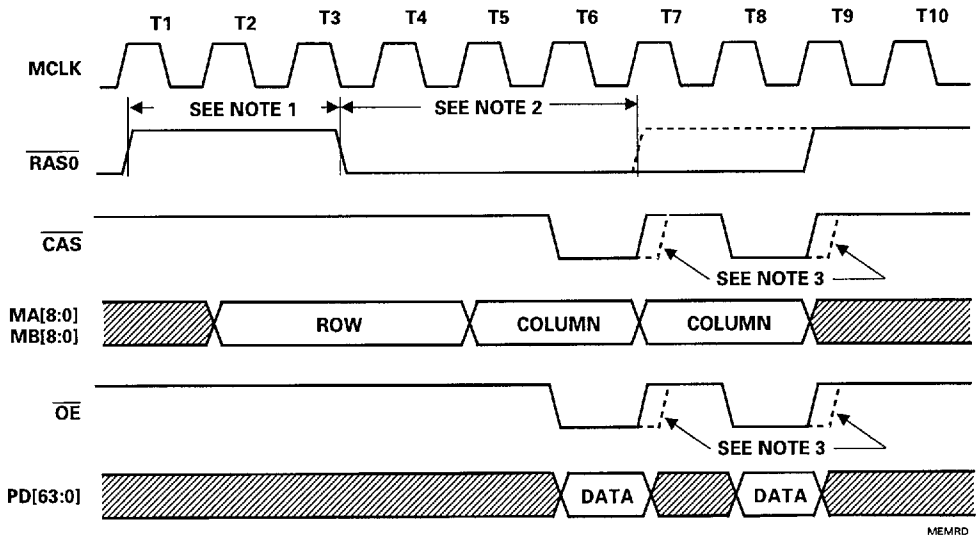


Figure 7-4. Fast Page Mode Read Cycle

Notes

1. The minimum $\overline{\text{RAS}}$ precharge time can be adjusted from 2.5 to 4.5 MCLKs via bits 7-6 of CR68.
2. The minimum $\overline{\text{RAS}}$ low time for a single column access is 3.5 MCLKs as shown in this figure. (The dashed line shows the $\overline{\text{RAS}}$ signal if the second page mode cycle were to be eliminated.) This minimum $\overline{\text{RAS}}$ active time can be lengthened to 4.5, 5.5 or 6.5 MCLKs via bits 5-4 of CR68.
3. The $\overline{\text{CAS}}$ and $\overline{\text{OE}}$ active (low) times can be stretched via bits 1-0 of CR68.



Figure 7-5 shows the functional timing for a fast page mode write cycle. The RAS and CAS signals can be adjusted as explained for the read cycle above. The WE and CAS signals are equally stretched via bits 1-0 of CR68.

The write-per-bit feature provided by some DRAMs is supported by the Vision864 if bit 0 of CR53 is set to 1. This is indicated by the WPB Mask in Figure 7-5.

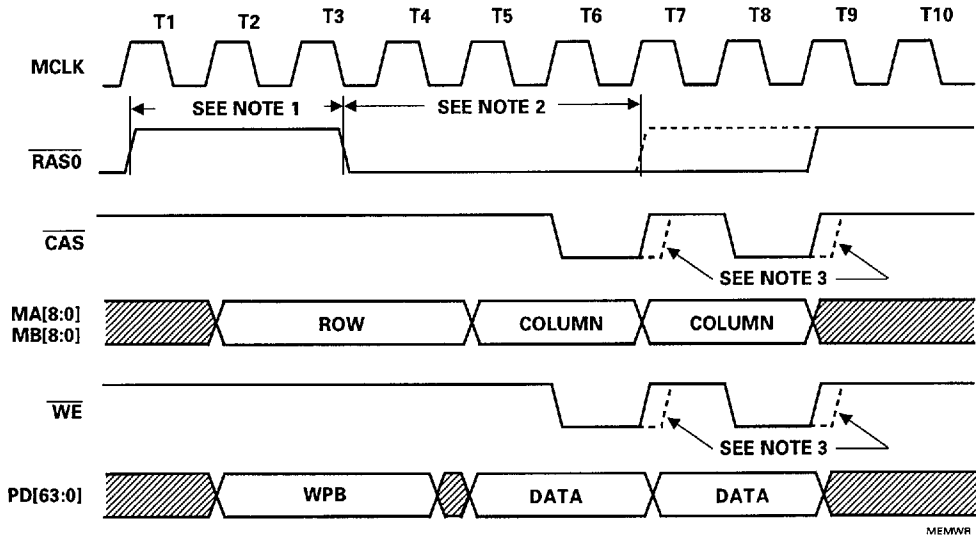


Figure 7-5. Fast Page Mode Write Cycle

Notes

1. The minimum $\overline{\text{RAS}}$ precharge time can be adjusted from 2.5 to 4.5 MCLKs via bits 7-6 of CR68.
2. The minimum $\overline{\text{RAS}}$ low time for a single column access is 3.5 MCLKs as shown in this figure. (The dashed line shows the $\overline{\text{RAS}}$ signal if the second page mode cycle were to be eliminated.) This minimum $\overline{\text{RAS}}$ active time can be lengthened to 4.5, 5.5 or 6.5 MCLKs via bits 5-4 of CR68.
3. The $\overline{\text{CAS}}$ and $\overline{\text{OE}}$ active (low) times can be stretched via bits 1-0 of CR68.



Figure 7-6 shows the functional timing for an Extended Data Out (EDO) mode read cycle. One difference between an EDO read cycle and a fast page mode read cycle is that since EDO memory holds the data valid longer, it allows the data to be latched one cycle later (rising edges of T8 and T10). This allows the use of slower access time memory or a faster MCLK. However, the last page access (or first for a single access) must be stretched one MCLK to allow the data to be latched because EDO memory does not keep data valid after OE goes inactive. Despite this, EDO memory will generally provide better performance than fast page mode memory. Note

that \overline{RAS} , the last \overline{CAS} and \overline{OE} are all stretched one MCLK. With EDO, \overline{OE} is held low for the entire cycle instead of being pulsed as in a fast page mode cycle.

The timing adjustments for \overline{RAS} and for $\overline{CAS}/\overline{OE}/\overline{WE}$ as described above for a fast page mode read cycle also apply to EDO cycles. Note that if the minimum RAS active time is specified as 3.5 MCLKs, the actual minimum for a single EDO read cycle will be 4.5 MCLKs.

An EDO write cycle is functionally the same as a fast page mode write cycle.

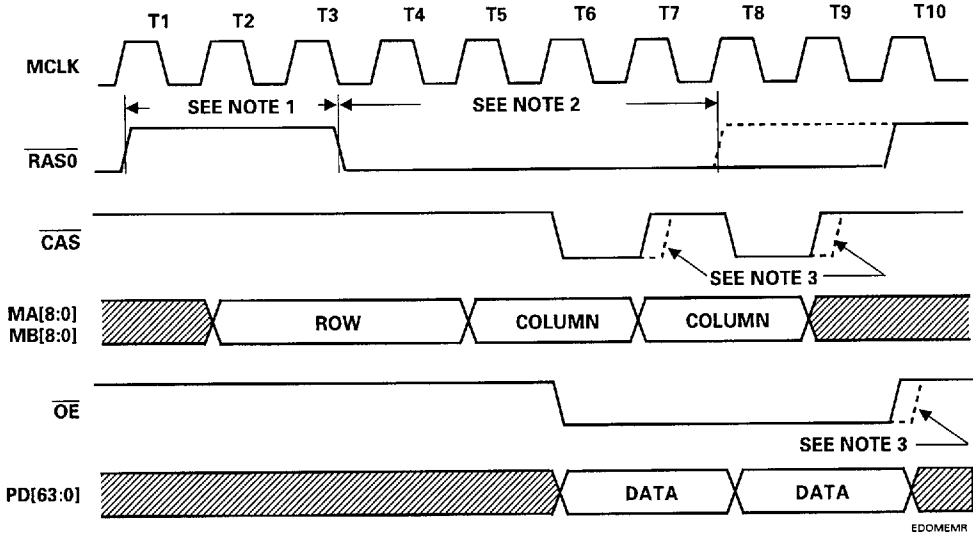


Figure 7-6. EDO Mode Read Cycle

Notes

1. The minimum \overline{RAS} precharge time can be adjusted from 2.5 to 4.5 MCLKs via bits 7-6 of CR68.
2. The minimum \overline{RAS} low time for a single column access is 4.5 MCLKs as shown in this figure. This is achieved by specifying 3.5 MCLKs in bits 5-4 of CR68. (The dashed line shows the \overline{RAS} signal if the second page mode cycle were to be eliminated.) This minimum RAS active time can be lengthened by 1, 2 or 3 MCLKs via bits 5-4 of CR68.
3. The \overline{CAS} and \overline{OE} active (low) times can be stretched via bits 1-0 of CR68.



7.4 DISPLAY MEMORY ACCESS CONTROL

Figure 7-7 shows that a number of processes compete for access to display memory. These are (in decreasing order of access priority):

- RAM refresh (not explicitly shown)
- Display FIFO writes
- CPU accesses
- Graphics Engine accesses

The display FIFO is 32 bits wide by 16 positions deep with 1 MByte of display memory or 64 bits wide by 16 positions deep for 2 or 4 MBytes of display memory. This FIFO provides the display refresh data to the RAMDAC and must never underrun, i.e., output more data than has been input to it from display memory. If an underrun occurs, the display may be corrupted.

The Vision864 provides a patented technique for maximizing video performance while preventing display FIFO underrun. This involves programming of three parameters. These are the L parameter (bits 2-0 of CR61 and bits 7-0 of CR62), M parameter (bits 7-3 of CR54) and N parameter (bits 7-0 of CR60).

When the Vision864 transfers data from display memory to the FIFO, the N parameter specifies one less than the number of 4-byte (1 MByte of memory) or 8-byte (2 or 4 MBytes of memory) units to write. When N units have been written or the FIFO is filled, whichever comes first, the Vision864 then allows the other display memory processes access to memory. Filling of the FIFO also stops at the end of active display as defined by the L parameter. FIFO filling cannot begin again until the scan line position defined by the Start Display FIFO register (CR3B), which is normally programmed with a value 5 less than the value programmed in CR0 (horizontal total). This provides time during the horizontal blanking period for RAM refresh and hardware cursor fetch.

The M parameter specifies the number of 8-byte memory access cycles (less one) that can be performed for reasons other than display FIFO filling. (One entry cycle requires 6-9 MCLKs; one page mode cycle requires 2 MCLKs.) When this number of access cycles has been performed, memory control is returned for FIFO filling. For example, a value of 01010b (10 decimal) specifies that 11 8-byte memory cycles are available to the CPU, Graphics Engine, etc., before FIFO filling restarts. For one entry cycle and 10 page mode cycles, this would be a maximum of 9 + (10x2) = 29 MCLKs allowed before memory access is re-

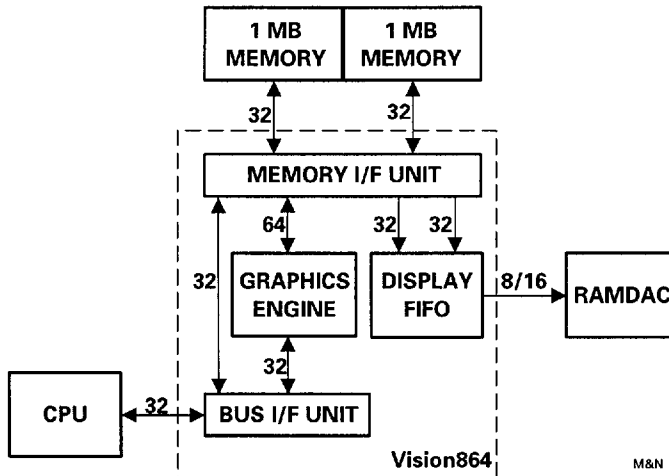


Figure 7-7. Display Memory Access Sources



turned for FIFO filling. If during the processing period controlled by the M parameter there is time when there are no memory access requests and the M value has not been reached, control is immediately returned to FIFO filling as specified by the N parameter.

M should be maximized for maximum graphics performance. The maximum value of M possible without causing a FIFO underrun is dependent on the pixel data bandwidth required for the particular mode in question. The calculation is based on a FIFO filling bandwidth of 120 (1 MByte) or 240 (2 or 4 MBytes) MBytes/second. The maximum value is also possibly dependent on the N parameter value if the FIFO is not filled each cycle.

The above discussion assumes that the Vision864 has control of the memory bus. The next section describes the implications of allowing a secondary memory controller to take control of the display memory bus.

7.5 SHARED FRAME BUFFER

For multimedia applications, the Vision864 can share the video frame buffer (display memory) with a secondary controller. At all times, the Vision864 serves as the primary display memory controller. As the primary controller, the Vision864 takes responsibility for screen management functions such as RAM refresh cycles and the arbitration of frame buffer requests from a secondary controller.

The Vision864 has two pins that are used for the frame buffer arbitration. These pins implement a Bus REQuest ($\overline{\text{BREQ}}$) and Bus GRaNT ($\overline{\text{BGNT}}$) protocol. $\overline{\text{BREQ}}$ is an input to the Vision864 and $\overline{\text{BGNT}}$ is an output. When the Vision864 grants the bus to the secondary controller, it also floats its memory control output signals so that the secondary controller has full access to the memory. With full access to memory, the secondary controller can operate at its optimum speed for memory accessing.

The shared frame buffer function is enabled via bit 2 of CR50. The Bus Grant Termination Position register (CR5F) and its extension bit (bit 7 of CR5D) must be programmed with a value less than the value programmed in CR0 (horizontal

total). Only between the start of a horizontal scan and this value can the Vision864 give up control of the pixel bus. The value of the bus grant termination position must be enough less than the horizontal total to allow for the required RAM refresh and hardware cursor fetch, both of which occur during the horizontal blanking period.

The Vision864 pre-empts the secondary controller (removes $\overline{\text{BGNT}}$) at the bus grant terminal position. Otherwise, it will not pre-empt the secondary controller when filling the display FIFO is required for screen refresh. Therefore, the secondary controller must retain control of the bus for a very limited time each time it gains control or it will cause screen corruption. How long the secondary controller can retain control without causing problems is a function of many variables, including the L, M and N parameter settings, the pixel data bandwidth of the RAMDAC and the needs of the CPU and Graphics Engine to access display memory. In general, the secondary controller should retain control for a period less than the time that would normally be specified by the M parameter if there is no secondary controller. The M parameter value then needs to be reduced by the amount of time allocated to the secondary controller to ensure adequate time for display FIFO filling. At the extreme, M could be set to 0 (allowing 1 memory cycle) and the remaining non-display FIFO filling bandwidth allocated to the secondary controller. See Section 7.4, Display Memory Access Control for more information on the M and N parameters.

The timing diagram shown in Figure 7-8 illustrates the arbitration handshake between the Vision864 and the secondary controller. This figure is explained in the following paragraphs.

The secondary controller asserts the $\overline{\text{BREQ}}$ signal to the Vision864 to request the bus. This asynchronous input is internally synchronized by the Vision864. If the bus grant termination position value has not been reached, the Vision864 grants control of the pixel bus and memory control signals to the secondary controller by asserting $\overline{\text{BGNT}}$ immediately after completion of memory accesses controlled by the N parameter (FIFO filling) and tri-stating the memory bus signals within 15 ns of this assertion. As indicated by "A" in Figure 7-8, assertion of $\overline{\text{BGNT}}$ after assertion of $\overline{\text{BREQ}}$ occurs within the larger of 1.2 μs or the



value of the formula shown in the figure. This formula subtracts the bus grant termination position (CR5F) from the horizontal total (CR0), resulting in some number of character clocks. This is multiplied by 8 to convert to dot clocks and then by the dot clock period to generate a time.

If the bus grant termination position value has been reached, the Vision864 will wait until the start of the next scan line (and display FIFO filling, if required) before granting control of the bus. If during the active screen (non-blanking) period the Vision864 is performing a memory cycle controlled by the M parameter (CPU or Graphics Engine access) when the secondary controller requests the bus, it completes both the M cycle processing and the next N (FIFO fill) cycle processing before asserting $\overline{\text{BGNT}}$. If the Vision864 is filling the display FIFO when $\overline{\text{BREQ}}$ occurs during the active screen period, it continues to do so until the FIFO is full or the amount of data specified by the N parameter is transferred to the FIFO. In other words, the Vision864 only grants control of the bus at the end of display FIFO filling. Subsequent M parameter-controlled processing is then delayed until bus control is returned to the Vision864. If the bus request occurs during blanking but before the bus grant termination position and the processing at that time is controlled by the M parameter (e.g., CPU memory updates), the M parameter processing will complete before the bus grant is issued.

When control has been granted to the secondary controller, it keeps the $\overline{\text{BREQ}}$ signal active and is

then able to perform read and write cycles to the display memory. Return of control to the Vision864 can be initiated by either the Vision864 or the secondary controller.

At the bus grant terminate position or when the Vision864 needs the bus, the Vision864 raises $\overline{\text{BGNT}}$ high. The secondary controller must then raise $\overline{\text{BREQ}}$ high within 500 ns, tri-state its memory bus signals within 15 ns of raising $\overline{\text{BREQ}}$ and give up the bus for at least 60 ns. The secondary controller can then reassert $\overline{\text{BREQ}}$ at any time. Note that the Vision864 can remove its bus grant in as little as one MCLK period.

The secondary controller can give up the bus by raising $\overline{\text{BREQ}}$ and tri-stating its memory bus signals. The Vision864 then raises its $\overline{\text{BGNT}}$ signal within 140 ns and begins to drive the memory bus signals. This sequence is shown in the second bus grant cycle depicted in Figure 7-8.

The pixel data bus (PD) and memory address bus (MA, MB) lines for both the Vision864 and the secondary controller connect directly to the DRAM. The other memory control lines ($\overline{\text{CAS}}$, $\overline{\text{RAS}}$, $\overline{\text{WE}}$, $\overline{\text{OE}}$) are typically buffered with 74F245 devices between the secondary controller and the DRAM. This isolates the Vision864 from any reflections and increases the drive. The direction (DIR) control for the '245's must be provided by the secondary controller. The enable inputs are tied to ground.

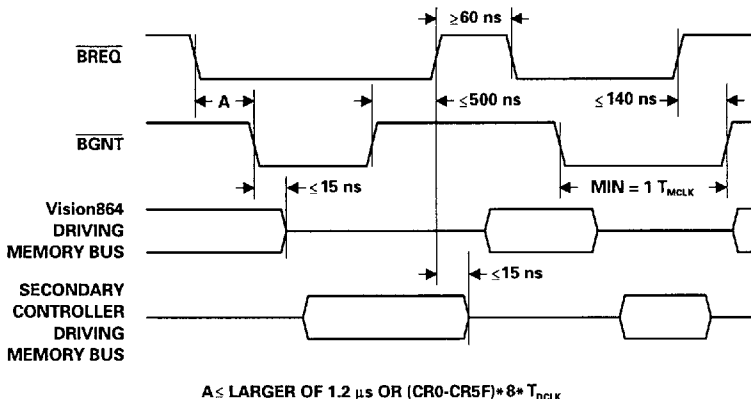


Figure 7-8. Shared Frame Buffer Protocol Timing



Section 8: Miscellaneous Functions

This section explains how the Vision864 interfaces to the video BIOS ROM, RAMDAC and clock generator. The General I/O Ports and genlocking are also described.

8.1 VIDEO BIOS ROM INTERFACE

The video BIOS ROM contains power-on initialization, mode setup, and video data read/write routines. The video BIOS can be part of the system ROM or it can be implemented separately.

8.1.1 Disabling BIOS ROM Accesses

If the video BIOS is integrated with the system BIOS in a VL-Bus configuration, then power-on strapping bit 4 (CR36, bit 4) must be pulled low to disable BIOS accesses. For PCI configurations, bit 0 of the BIOS ROM Base Address register (Index 30H) is cleared to 0 to disable BIOS accesses.

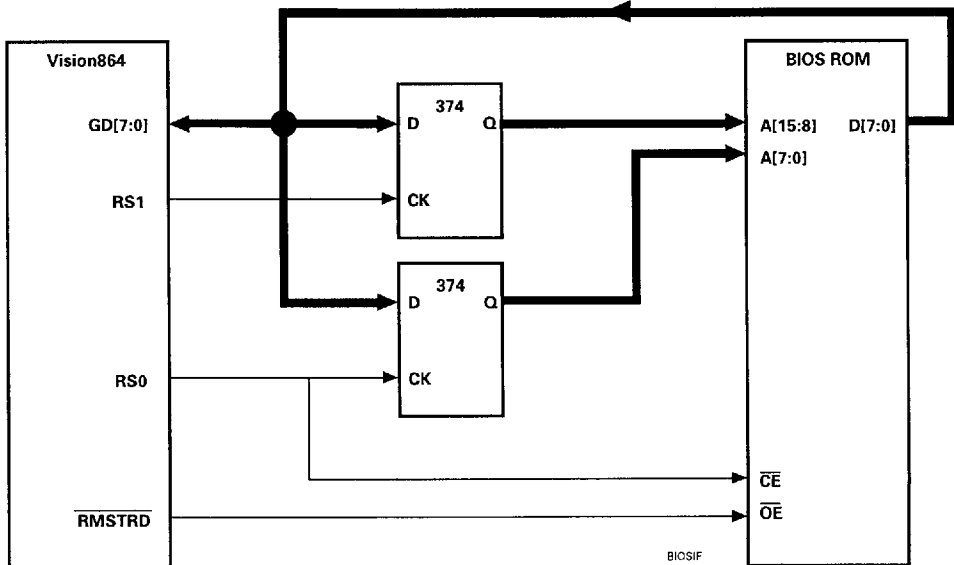


Figure 8-1. BIOS ROM PCI Configuration Interface

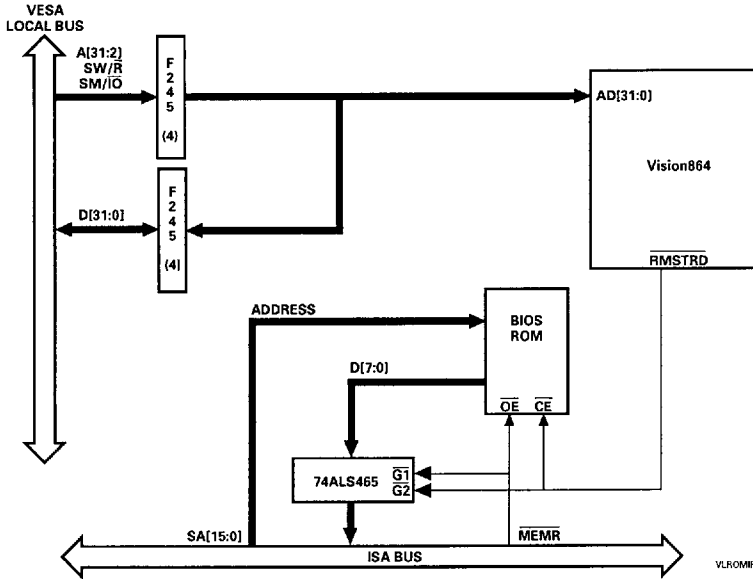


Figure 8-2. BIOS ROM VL-Bus Configuration Interface

8.1.2 BIOS ROM Hardware Interface

A separate implementation of the video BIOS for a PCI configuration is shown in Figure 8-1. The implementation for a VL-Bus configuration is shown in Figure 8-2. The ROM is accessed via the ISA bus. This allows a shadowed BIOS to be accessed by a CPU memory read without also generating data directly from the physical ROM. Only 8-bit ROMs are supported.

8.1.3 BIOS ROM Read Functional Timing

Figure 8-3 depicts the PCI configuration functional timing for reading one byte from the ROM. The upper 8 bits of the address are placed on the General Data Bus and are latched into an external register by the rising edge of RS1. The lower 8 bits of the ROM address are then placed on the General Data Bus and latched into a second external register by the rising edge of RS0. RS0 goes low to enable the ROM chip and RMSTRD

is asserted to drive the byte of read data to the General Data Bus. The Vision864 latches the data one clock before deassertion of RMSTRD. The transparent latch in the Vision864 then drives this data onto the AD bus.

The Vision864 also supports 16- and 32-bit ROM reads, as defined by the states of the byte enables. For a 16-bit read, the Vision864 automatically increments the lower address once and generates the second byte of read data. For a 32-bit read, the Vision864 automatically increments the lower address three times and generates the remaining three bytes of read data. In both cases, TRDY is delayed until all the required data is available on the AD bus.

For a VL-Bus configuration, a BIOS ROM read is a standard ISA bus read cycle with the Vision864 providing its RMSTRD output as a second buffer enable (see Figure 8-2). RMSTRD is asserted during the time the ROM address is valid and therefore will be active when the chipset asserts the ISA MEMR signal.

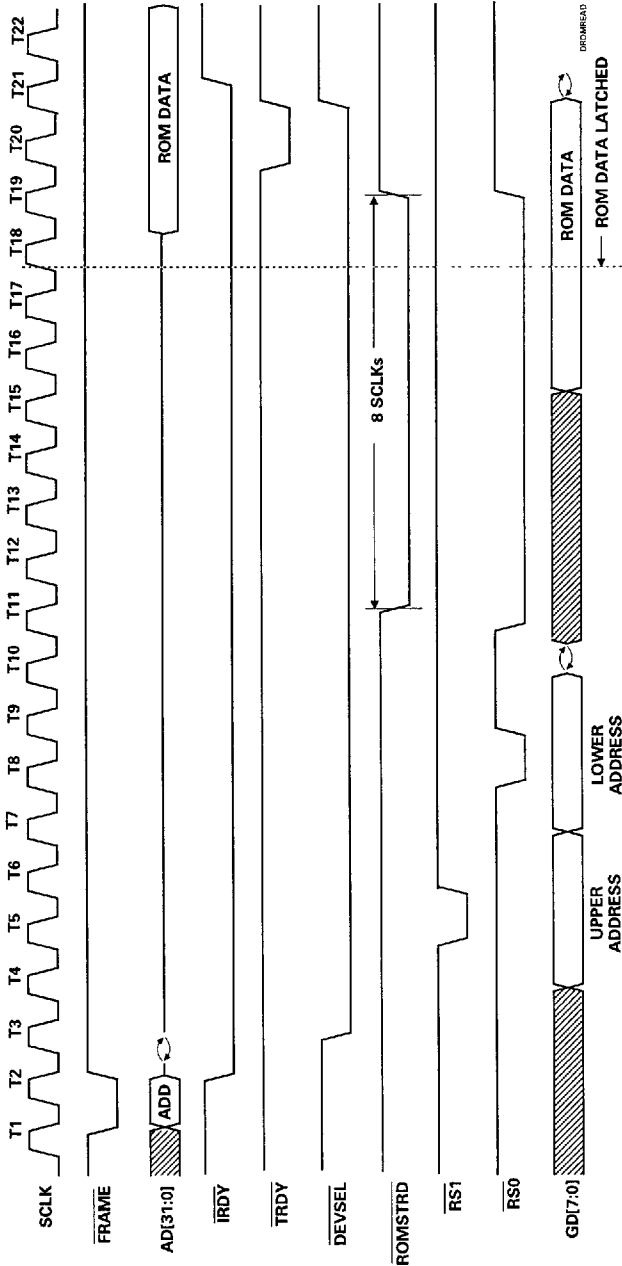


Figure 8-3. BIOS ROM Read Functional Timing - PCI



8.1.4 BIOS ROM Address Mapping

The Vision864 maps the CPU memory address spaces for the video BIOS ROM into physical ROM addresses. If implemented separately for a VL-Bus system, the video BIOS normally uses the standard address range C0000H-C7FFFH (32 KBytes). If power-on strapping bit 10 (CR37, bit 2) is strapped low or if bit 2 of CR37 is cleared to 0 in a VL-Bus system, the video BIOS address range becomes C0000H-CFFFFH (64 KBytes). PCI systems support a relocatable 64-KByte video BIOS address range via the BIOS ROM Base Address configuration register (Index 30H).

8.2 RAMDAC/DISPLAY INTERFACE

The Vision864 decodes all CPU accesses to the RAMDAC registers. It has a 16-bit pixel address bus and supports both 8- and 16-bit RAMDACs and SDACs (combined 16-bit RAMDACs and clock synthesizers).

8.2.1 RAMDAC Hardware Interface

The Vision864 provides all required control signals. The hardware interface to a 16-bit RAMDAC is shown in Figure 8-4. The upper eight pixel address lines are no connects for 8-bit RAMDACs.

8.2.2 RAMDAC Functional Timing

Figure 8-5 depicts the functional timing for RAMDAC internal register accesses. Read data is latched by the Vision864 on the rising edge of DACRD and appears immediately after that on the proper byte lane of AD[31:0].

8.2.3 RAMDAC Color Mode

The 16-bit RAMDAC color mode is set via bits 7-4 of CR67.

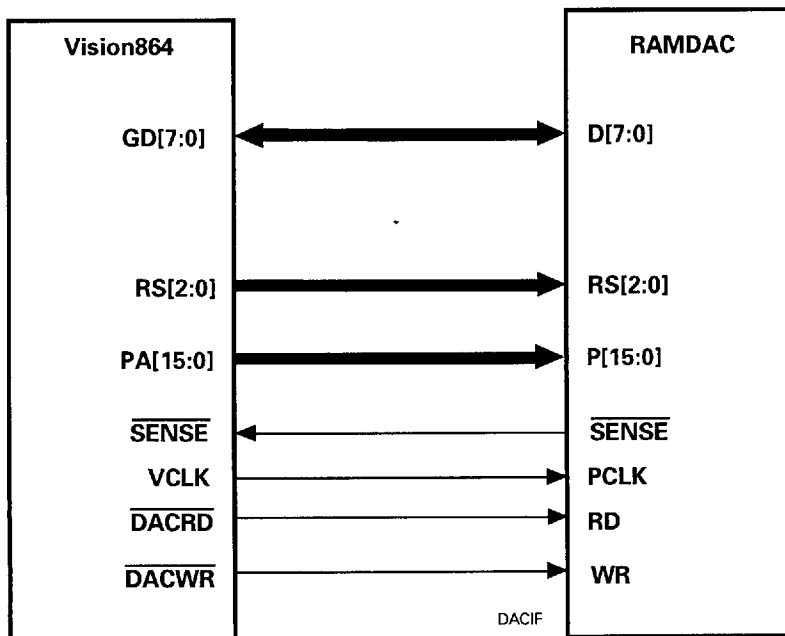


Figure 8-4. RAMDAC Interface

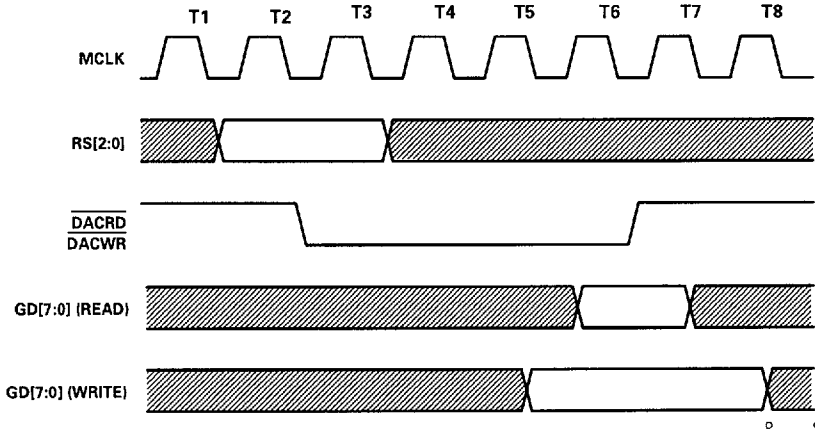


Figure 8-5. RAMDAC Access Functional Timing

8.2.4 VCLK Control

Figure 8.6 shows how various register bits and internal logic elements affect the DCLK input in the process of generating the VCLK output. In general:

1. CR67, bit 0, either leaves DCLK unchanged or inverts it. Since it is always inverted later (after CR33), this means that inverting it here results in a VCLK with the same phase as DCLK.
2. SR1, bit 3, is used for VGA modes. It selects between DCLK and DCLK/2. Its output is called the internal dot clock.
3. CR33, bit 0, selects the internal dot clock or bypasses it.
4. CR66, bits 2-0, divide the clock by 1, 2, 4, 8, 16 or 32. This is normally useful only for SID RAMDACs used with VRAMs, and is

therefore unlikely to be used with the Vision864.

8.2.5 Generating Register Select Signals

The Vision864 has three RAMDAC register select outputs. The RS[1:0] signals are generated by accesses to standard VGA RAMDAC register addresses according to the following table.

Table 8-1 RS[1:0] Generation

Address	RS[1:0]
3C8H	00
3C9H	01
3C6H	10
3C7H	11

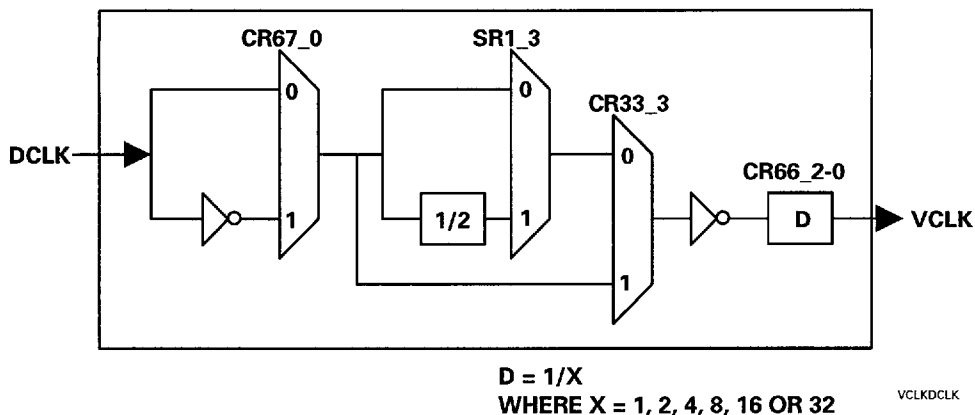


Figure 8-6. VCLK Selection

The RS2 output is controlled by the state of bit 0 of CR55. This should be programmed to the desired value before the RAMDAC register is accessed to generate RS[1:0]. In older software, bit 2 of CR43 is used to generate RS2. This function is retained for backward compatibility.

8.2.6 Green PC Support

The Vision864 provides support for the VESA Display Power Management Signaling (DPMS) protocol by allowing independent control of the HSYNC and VSYNC signals. To use this capability, the bit pattern xxxx0110b must be written to the SR8 register to unlock access to the SRD register. Bits 5-4 of SRD then control the state of HSYNC and bits 7-6 of SRD control the state of VSYNC.

8.2.7 SENSE Input Utilization

The SENSE output of the RAMDAC is used by the S3 BIOS to detect the existence and type of monitor connected to the system. The BIOS sequentially drives the three analog outputs (red, green, blue) and determines whether or not the SENSE signal is driven active. If no monitor is present, SENSE will never go active. If a monochrome

monitor is present, SENSE will go active only when the green output is driven. If a color monitor is present, SENSE will go active when each of the outputs is driven. DOS uses special palette colors when in monochrome mode. No S3 enhanced mode drivers use monochrome palettes.

8.2.8 RAMDAC Write Snooping (VL-Bus)

If power-on strapping bit 12 (CR37, bit 4) is pulled low at reset for a VL-Bus configuration, LOCA and SRDY are not generated by the Vision864 for RAMDAC write accesses. The Vision864 generates write cycles to the local RAMDAC and the ISA controller also generates cycles to an off-board RAMDAC (mirroring). RAMDAC reads are always from the local RAMDAC.

8.2.9 Disabling RAMDAC Register Access (PCI)

For PCI bus configurations, setting bit 5 of the Command configuration space register (Index 04H) to 1 disables Vision864 response to RAMDAC register accesses. This is used when a



second video card is present and its RAMDAC registers require updating.

8.3 CLOCK GENERATOR INTERFACE

The Vision864 receives its memory clock (MCLK) and dot clock (DCLK) inputs from an external clock generator. The allowable values of SCLK and DCLK are interdependent, as defined in the clock waveform timing table of the AC Specifications. System designers must consider these interdependencies when choosing a clock generator, especially if the SCLK frequency is to be varied.

8.3.1 Clock Generator Hardware Interface

Figure 8-7 shows one type of hardware interface to the clock generator. Four clock select signals are provided, which allow selection of up to 16 DCLK frequencies. If the clock generator allows selection of more than one MCLK frequency, this can be implemented by using the General Output port capability described in Section 8.4.

8.3.2 Clock Generator Access Functional Timing

The Vision864 drives the DCLK select signals onto the GD[3:0] lines, which in turn connect to the clock select pins on the clock chip. The clock chip then latches these signals on the falling edge of STWR. The functional timing for this is the same as for the General Output Port as shown in Figure 8-9.

Some clock chips use a serial programming technique to select a DCLK or MCLK frequency or program a register. In this case, the clock and serial data bits are transferred by repeated writes to bits 1-0 of CR42.

STWR is asserted and then deasserted when the Mode Control register (CR42) bits 3-0, the Miscellaneous Output register (3C2H) bits 3-2 or the General Output Port register (CR5C) bits 7-4 are written to.

8.3.3 DCLK Selection

The values of the bits written to CR42 or 3C2H determine the value automatically written to the General Output Port register (CR5C) bits 3-0 and

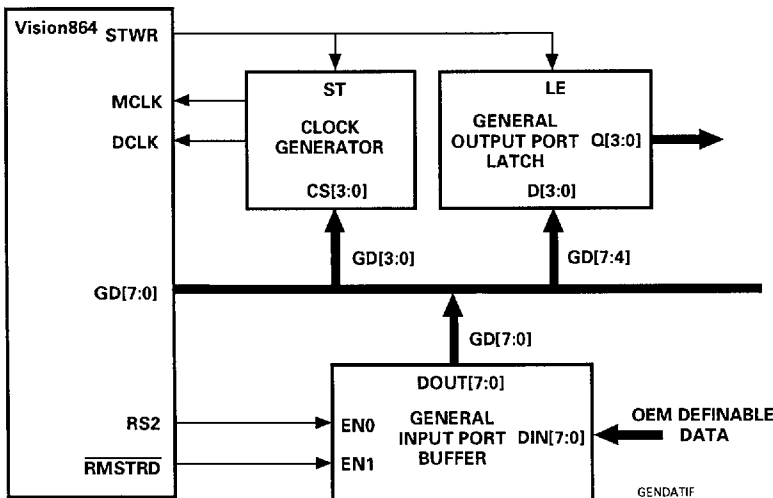


Figure 8-7. General Data Bus Interfaces



then driven onto the GD[3:0] lines to be latched by STWR. This is shown in Table 8-2.

Table 8-2. DCLK Select Values

3C2H, Bits 3-2	GD[3:0]
00	0000
01	0001
10	0010
11	CR42, Bits 3-0

The coding for these signals is dependent upon the clock generator capabilities.

8.4 GENERAL INPUT PORT

The Vision864 provides an 8-bit General Input Port (GIP). The block diagram showing how this is implemented is shown in Figure 8-7.

Bit 2 of the Extended DAC Control register (CR55) is set to 1 to enable the GIP read function. The data is read from an external buffer by an I/O read of port 3C8H (the same as the DAC Write Index off-chip register). When RS2 is low and RMSTRD is asserted, this data is driven to the Vision864 via GD[7:0] and transparently latched by the rising edge of MCLK preceding deassertion of

RMSTRD. The data then appear almost immediately on AD[7:0]. The functional timing for this operation is shown in Figure 8-8.

Bits 7-5 of the GIP are input to the Vision864 via GD[7:5] during power-on reset and latched into bits 6-4 of 42E8H. One potential use of this capability is to input monitor ID information as provided by certain monitors.

8.5 GENERAL OUTPUT PORT

The Vision864 provides a 4-bit General Output Port (GOP). The block diagram showing how this is implemented is shown in Figure 8-7.

The General Output Port register (CR5C) bits 7-4 can be set to any value by a CPU write. The programmed values appear on GD[7:4] and are latched into the GOP external latch when STWR goes low. STWR is asserted and then deasserted when the Mode Control register (CR42) bits 3-0, the Miscellaneous Output register (3C2H) bits 3-2 or the General Output Port register (CR5C) bits 7-4 are written to. One use of the GOP is to provide programmable control of external logic.

The functional timing for the GOP is shown in Figure 8-9.

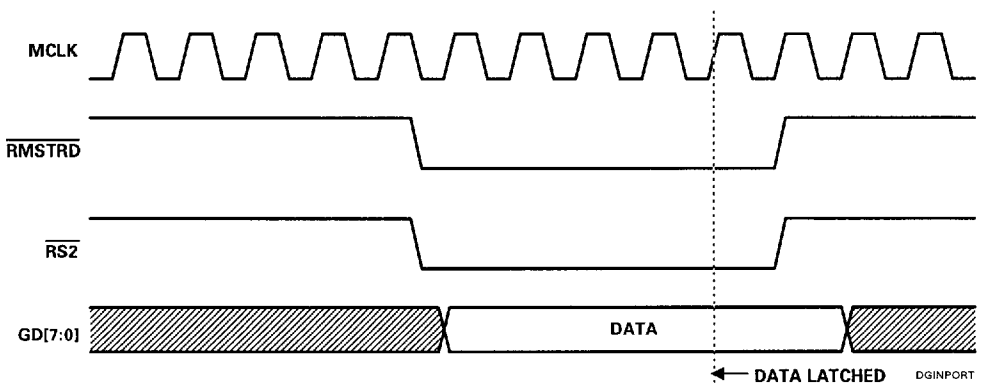


Figure 8-8. General Input Port Functional Timing

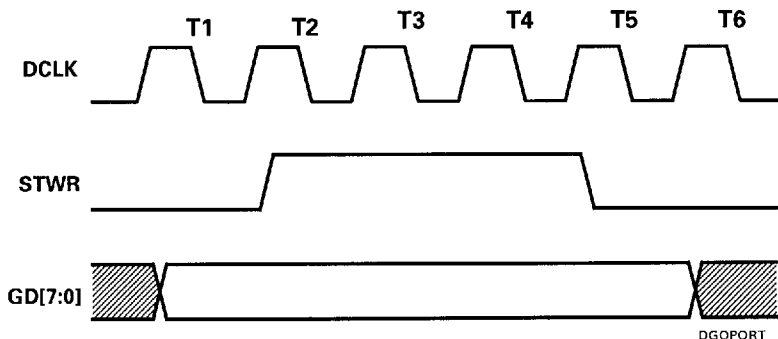


Figure 8-9. General Output Port Functional Timing

8.6 GENLOCKING

Genlocking allows two different video sources (one or both being an S3 accelerator) to contribute to the construction of a single frame of pixel data. The VSYNC output of a master video source is input to the slave video source to provide the basis for genlocking. This process ensures that each screen refresh cycle (frame) begins at exactly the same physical location on the screen.

The total time for each horizontal scan (screen active, blanking, retrace and front and back porches) is called the Horizontal Total. It is programmed in character clocks (minus 5) in the CR0 register. The internal horizontal character counter counts up from 0 (the first pixel on the line) until it reaches the Horizontal Total. It then resets to 0, signaling the start of a new line. HSYNC is typically deasserted several character

clocks before the horizontal counter resets to 0. This is indicated by the $\Delta 1$ gap in Figure 8-10. Similarly, VSYNC is typically deasserted (ending the vertical retrace) some number of scan lines before the vertical counter resets to 0. This is the $\Delta 2$ depicted in Figure 8-10. Both the horizontal and vertical counters reset to 0 (times A and C in Figure 8-10) after VSYNC is deasserted (time B in Figure 8-10).

The total adjustment is indicated by the vector in Figure 8-11. The horizontal component of this vector ($\Delta 1$) is programmed into bits 7-4 of CR63 (high nibble) and bits 7-4 of CR57 (low nibble). The programmed value is the number of character clocks from deassertion of HSYNC to the horizontal counter reset (both for the master). This programmed value should never exceed the horizontal total programmed in CR0.

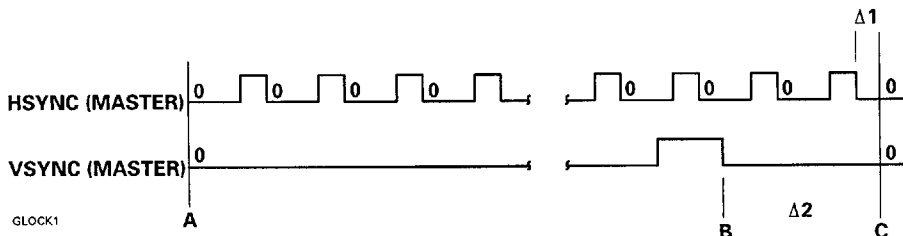


Figure 8-10. Genlocking Master Sync Timing



Bits 6-4 of CR64 allow fine turning of the horizontal adjustment in VCLK units instead of character clock (8 or 9 VCLK) units. This is required for signals such as those used for television. Bit 7 of CR64 must be set to 1 to enable this function.

The vertical component of this vector ($\Delta 2$) is programmed into bits 3-0 of CR63 (high nibble) and bits 3-0 of CR57 (low nibble). The programmed value is the number of scan lines from the deassertion of VSYNC to the vertical counter reset.

Note that this adjustment does not affect any of the CRT control timings other than to shift them in time. In other words, the lengths of the blanking period, HSYNC and VSYNC pulses, etc., do not change; their occurrences are all delayed by a fixed amount.

The result of these adjustments is that both video sources use the same starting point as a reference for pixel data written to the frame buffer. As long as both use the same VCLK frequency and

have the same CRT control parameters (H and V Total, etc.), pixels contributed by either source should appear in the proper places on the screen. One additional problem is that the character clocks of the master and slave will probably not be exactly in phase after the horizontal and vertical counter reset adjustment. To rectify this, bits 6-4 of the CR64 register are programmed with a value equal to the number of VCLKs (dot clocks) the character clock of the slave must be delayed from the rising edge of the master's VSYNC rising edge to bring the character clocks in phase. Bit 7 of this register must be set to 1 to enable this function.

In general, genlocking programming should be performed during the vertical sync period to avoid screen jitter.

See the *Genlocking* Tech Note (TN016) for several implementation examples, including one describing how to genlock to a television-style (NTSC, PAL) external source.

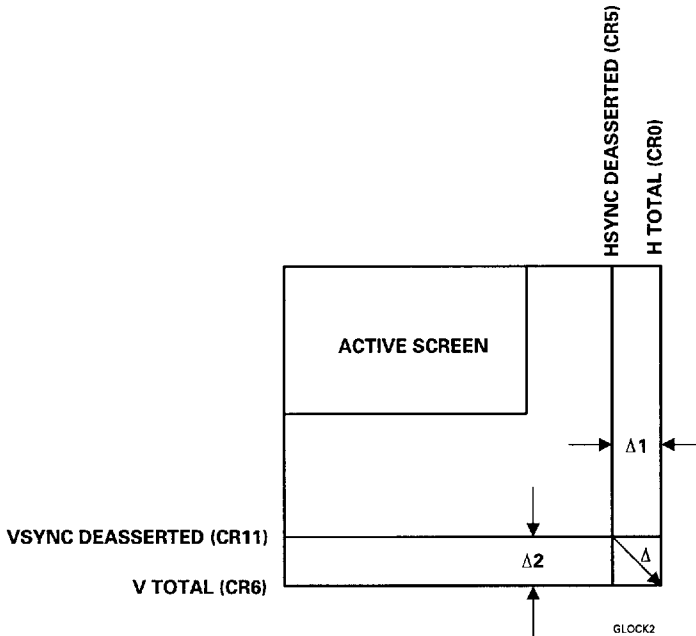


Figure 8-11. Genlocking Timing Adjustments



Section 9: Software Setup

This section describes the basic operations required to set up the Vision864.

9.1 CHIP WAKEUP

The following program wakes up the Vision864.

```
;Program runs as COM file
;Program enables S3 chips
code    segment
        assume    CS:code, DS:code
        ORG      100h

start:
        mov dx,46E8h    ; Video Subsystem Enable register address
        mov al,16h     ; bit 3 = 0, disable I/O and memory decoders
                          ; bit 4 = 1; place video subsystem in setup mode
        out dx,al      ; write new bit values to 46E8H
        mov dx,102h    ; Setup Option Select register address
        mov al,01h     ; Video subsystem responds to commands,
                          ; addresses& data
        out dx,al      ; Write new bit value to 102H

        mov dx,46E8h    ; Video Subsystem Enable register address
        mov al,0Eh     ; Bit 3 = 1, enable I/O and memory decoders
                          ; Bit 4 = 0, return to operational mode
        out dx,al      ; Write new bit values to 46E8H
        mov dx,4AE8h    ;
        xor al,al      ; Enable standard VGA functions and screen size
        out dx,al      ; Write new bit values to 4AE8h
        mov dx, 3C2h    ;
        mov al, 23h     ; Enable memory, color base, page 0,
                          ; clock @ 28.322 MHz
        out dx, al     ; Write new bit values to 3C2h
        mov ah,4Ch     ;
        int 21h        ; return to DOS

code    ENDS
        END start
```



9.2 REGISTER ACCESS

9.2.1 Unlocking the S3 Registers

The S3 registers (CR30 and higher plus the Enhanced Commands registers) must be unlocked before they can be accessed by the CPU. The code to do this is:

```
; Write code to CR38 to provide access to the S3 VGA registers (CR30-CR3F)
;
  mov dx,3d4h      ; copy index register address into dx
  mov al,38h      ; copy index for CR38 register into al
  out dx,al       ; write index to index register
  inc dx          ; increment dx to 3D5h (data register address)
  mov al,48h      ; copy unlocking code (01xx10xxb, x=don't care) to al
  out dx,al       ; write the unlocking code to the data register
  dec dx          ; restore the index register address to dx
;
; Write code to CR39 to provide access to the System Control and System Extension
; registers (CR40-CRFF)
;
; dx is already loaded with 3D4h because of the previous instruction
;
  mov al,39h      ; copy index for CR39 register into al
  out dx,al       ; write index to index register
  inc dx          ; increment dx to 3D5h (data register address)
  mov al,0a5h     ; copy unlocking code to al (the code a5h also unlocks
                  ; access to configuration registers CR36, CR37 and CR68
  out dx,al       ; write the unlocking code to the data register
  dec dx          ; restore the index register address to dx
;
; Set bit 0 in CR40 to enable access to the Enhanced Commands registers.
;
; dx is already loaded with 3D4h because of previous instruction
  mov al,40h      ; copy index for CR40 register into al
  out dx,al       ; write index to index register
  inc dx          ; increment dx to 3D5h (data register address)
  in al,dx        ; read register data for read/modify/write operation
  or al,1         ; set bit 0 to 1
  out dx,al       ; write the unlocking code to the data register
  dec dx          ; restore the index register address to dx
```




9.2.2 Locking the S3 Registers

Relocking the S3 registers is done by repeating the code used to unlock the registers except:

1. The values written to the CR38 and CR39 registers must change at least one of the significant bits in the valid code pattern. For example, 00h will always accomplish this.
2. After first verifying that the Graphics Engine is not busy (bit 9 of 9AE8H is 0), bit 0 of CR40 must be cleared to 0. A read-modify-write cycle must be used instead of the code used above to prevent overwriting of any changes made to bits 7-1 in CR40 since reset.

```

mov dx,3d4h      ; copy index register address into dx
mov al,40h      ; copy index for CR40 register into al
out dx,al       ; write index to index register
inc dx          ; increment dx to 3D5h (data register address)
in al,dx        ; read content of CR40 into al
and al,0feh     ; clear bit 0 to 0
out dx,al       ; write to CR40 to lock the Enhanced Commands registers
dec dx          ; restore the index register address to dx

```

9.2.3 Unlocking/Locking Other Registers

The Extended Sequencer register (SRD) has been added to the standard VGA sequencer register set to provide display power management (Green PC) control. To gain access to this register, write xxxx0110b (x = don't care) to SR8. Writing a bit pattern that changes one of the significant bits re-locks access to the SRD register.

In addition to the standard VGA register access controls, the Vision864 provides a number of bits extending the control of access to these registers. These are listed in Table 9-1.

Table 9-1. VGA Register Access Control Extensions

Register Bit	Controls Access To:
CR33, bit 1	CR7, bits 1 and 6 (1 = disable write protect setting of CR11, bit 7)
CR33, bit 4	RAMDAC register (1 = disable writes)
CR33, bit 6	Palette/Overscan registers (1 = lock)
CR34, bit 5	SR1, bit 5 (1 = lock)
CR34, bit 7	3C2H, bits 3-2 (1 = lock)
CR35, bit 4	Vertical Timing registers (1 = lock)
CR35, bit 5	Horizontal Timing registers (1 = lock)



9.3 TESTING FOR THE PRESENCE OF A Vision864 CHIP

After unlocking, a code identifying the Vision864 and its revision level can be read via CR30. The following code aborts the driver program and returns to DOS if a Vision864 chip is not found.

```
mov dx,3d4h      ; copy index register address into dx
mov al,30h      ; copy index for CR30 register into al
out dx,al       ; write index to index register
inc dx          ; increment dx to 3D5h (data register address)
in al,dx        ; read content of CR30 into al
and al,0f0h     ; mask out revision status (lower nibble)
cmp al,0c0h     ; compare chip ID to the desired chip ID (C0h for Vision864)
jne not_C0x     ; jump to a label if chip ID does not match desired ID
.
.
.
not_C0x:
mov ax,4c00h    ; terminate with a return code of zero
int 21h        ; return to DOS
```

9.4 GRAPHICS MODE SETUP

The Vision864 provides a number of standard VGA, VESA Super VGA and S3 Enhanced graphics modes. The particular modes supported depend on the RAMDAC used and can vary. See the *S3 Video BIOS and Utilities OEM Guide* for a complete listing of the RAMDACs and modes supported by the S3 BIOS for the Vision864.

9.4.1 Backward Compatibility Modes Setup

The Vision864 is hardware compatible with CGA, MDA, and Hercules Graphics Card (HGC) standards which are based on the Motorola 6845 CRT controller. These standards are designed to run on TTL (digital) monitors, however, the Vision864 uses analog displays for all modes. To emulate the 6845, the following additional setup is required before relinquishing control to 6845-based applications.

1. Character Generator Locking. The VGA BIOS reloads the character generator each time an alphanumeric mode is set whereas non-VGA modes (CGA, MDA, and Hercules) do not. Therefore the character table must be loaded onto plane 2 when the controller is still in the VGA mode.
2. Video DAC color compatibility. Non-VGA modes use 6-bit video output. Therefore, only the first 64 video DAC addresses need to be programmed and locked. Locking is done using bit 4 of the Backward Compatibility 2 register (CR33).
3. Program default parameters. The Vision864 should be programmed for a 640 × 200 or 320 × 200 programming table for CGA, whereas MDA uses a 350-line programming table (Mode 7).
4. Set the S3 Registers for 6845 emulation by setting bit 3 of the Backward Compatibility 1 register (CR32) to 1 to select non-VGA operation. Force high rate horizontal timing, then lock horizontal and vertical timing. These and other backward compatibility setup capabilities are provided by the Backward Compatibility 1 (CR32), Backward Compatibility 2 (CR33) and Backward Compatibility 3 (CR34) registers.



At this point the Vision864 is hardware compatible with and can be programmed as a 6845. The program values will be inappropriate for VGA, but internal translation converts them to an equivalent value for analog monitors.

9.4.2 VGA Mode Setup

The Vision864 powers up into a standard VGA mode determined by the BIOS. The mode can then be altered by programming the standard VGA registers. All standard VGA and VESA modes are supported.

For each mode, the CRTC timing must be appropriately specified. Table 9-2 shows the required parameters, the relevant register bits for each and the value to be programmed for each. These parameters must also be programmed for the Enhanced modes discussed in the next section.

Table 9-2. CRTC Timing Specification Summary

Parameter	Register Bits	Value to be Programmed
Horizontal Total	CR5D_0, CR0_7-0	Character clocks per horizontal period (HSYNC active to next HSYNC active) - 5
Horizontal Display End	CR5D_1, CR1_7-0	Character clocks of active display - 1
Start Horizontal Blank	CR5D_2, CR2_7-0	Character clock counter value at which horizontal blanking begins
End Horizontal Blank	CR5_7, CR3_4-0	Least significant six bits of the character clock counter value at which horizontal blanking ends. The BLANK pulse width can be extended by 64 DCLKs via bit 3 CR5D
Start Horizontal Sync	CR5D_4, CR4_7-0	Character clock counter value at which HSYNC becomes active
End Horizontal Sync	CR5_4-0	Least significant five bits of the character clock counter value at which HSYNC goes inactive. The HSYNC pulse width can be extended by 32 DCLKs via bit 5 of CR5D
Vertical Total	CR5E_0, CR7_5, CR7_0, CR6_7-0	Number of scan lines from VSYNC active to next VSYNC active - 2
Vertical Retrace Start	CR5E_4, CR7_7, CR7_2, CR10_7-0	Number of scan lines at which VSYNC becomes active
Vertical Retrace End	CR12_3-0	Least significant 4 bits of the scan line counter value at which VSYNC goes inactive
Vertical Display End	CR5E_1, CR7_6, CR7_1, CR12_7-0	Scan lines of active display -1
Offset	CR51_5-4, CR13_7-0	This value multiplied by 2 (byte mode), 4 (word mode) or 8 (doubleword mode) specifies the difference between the starting byte addresses of two consecutive scan lines
Start Vertical Blank	CR5E_2, CR9_5, CR7_3, CR15_7-0	Number of scan lines at which vertical blanking begins - 1
End Vertical Blank	CR16_7-0	Least significant eight bits of the scan line counter at which vertical blanking ends
Line Compare	CR5E_6, CR9_6, CR7_4, CR18_7-0	Number of scan lines at which the screen is split into screen A and screen B



See standard VGA and VESA-compliant documentation for the other setup steps.

9.4.3 S3 Enhanced Mode Setup

The Enhanced Graphics Command register group is unlocked by setting bit 0 of the System Configuration register (CR40) to 1. After that, bit 0 of 4AE8H must be set to 1 to enable Enhanced mode functions. Bit 2 of 4AE8H is also programmed at this time for the desired mode as explained in Table 9-3. A screen refresh rate is selected. The CRTC timing registers are programmed as explained in the previous section. The Enhanced mode setup bits are then programmed. Table 9-4 shows register bit values for a particular mode for the bitmap specification bits described in Table 9-3 as well as for other bits typically used when defining a mode. Some modes may require programming of bits not mentioned in this example.

Table 9-3. Register Bits Affecting the Bitmap Definition

Register Bits	Description
CR13	Specifies the logical screen width (pitch). Bits 5-4 of CR51 are extension bits 9-8 for this value.
CR31_1	This is set to 1 to enable a 2Kx1Kx4 map for 1024x768 or 800x600 resolutions, or a 2Kx512x8 map for 640x480 resolution.
CR31_3	This bit must be set to 1 to enable Enhanced mode memory mapping. This forces operation in doubleword mode.
CR3A_4	0 = 4-bit modes 1 = 8/16/24/32-bit modes
CR42_5	0 = Non-interlaced operation 1 = Interlaced operation
CR50_0,7,6	Screen Width Definition 000 = 1024 (or 2048 if bit 1 of CR31 = 1) (Default) 001 = 640 010 = 800 (or 1600x1200x4 if bit 2 of 4AE8H = 1) 011 = 1280 100 = 1152 101 = Reserved 110 = 1600 111 = Reserved
CR50_5-4	Pixel Color Depth Definition 00 = 1 byte. Bit 2 of 4AE8H selects between 4 (=0) and 8 (=1) bits/pixel 01 = 2 bytes (16 bits/pixel) 10 = Reserved 11 = 4 bytes (32 bits/pixel). True color (24 bits/pixel) is handled by this setting, with the upper byte unused.
4AE8H_2	If bits 0,7,6 of CR50 are 010b, this bit is set to 1 for 1600x1200x4 mode. If bits 5,4 of CR50 are 00b, this bit is set to 1 for 4 bits/pixel modes.



Table 9-4. Enhanced Mode Setup for 1024x768x8 Resolution at 75 Hz Refresh

Register	Value (Hex)	Description
CR31	09	Enables use of a CPU base address offset. Enables use of Enhanced mode memory mappings.
CR34	10	Enables CR3B (display FIFO fetch start position).
CR3A	15	Enables RAM refresh count specification and specifies 1 RAM refresh cycle per horizontal line. Configures attribute controller shift registers for 8 bits/pixel.
CR3B	9C	Specifies the time from the start of display active until the start of fetching data into the display FIFO for the next line. This is typically 5 less than the value programmed in CR0 but may vary for some modes.
CR3C	00	Not used for this non-interlaced mode.
CR40	See Description	Bit 0 must be set to 1 early in the setup process to enable Enhanced mode register access. Bits 7-4 select 0 or 1 wait state and latching of write data on \overline{SRDY} or \overline{RDYIN} . These bits default to 1 wait state and latching on \overline{RDYIN} , which will almost always be required for proper operation of the Vision864. Consequently, the S3 BIOS protects these bits from being overwritten during the normal setup process.
CR42	See Description	Bits 3-0 specifies the DCLK rate selection output to the clock generator. 80 MHz is required for this mode, but the actual value programmed will depend on the clock generator.
CR50	00	Bits 0,7,6 specify the screen width of 1024 pixels. Bits 5,4 specify a pixel length of 8 bits/pixel.
CR51	00	Bits 5,4 are extension bits for CR13. These are not required for this mode.
CR54	70	M parameter value. This (plus 1) specifies how many 8-byte memory accesses are available before display FIFO filling starts again.
CR5C	See Description	The General Output Port is not used during the setup of this mode unless the clock generator requires serial input for DCLK selection or frequency programming.
CR5D	00	No horizontal overflow bits are required for this mode.
CR5E	00	No vertical overflow bits are required for this mode.
CR60	FF	N parameter value. This (plus 1) specifies the number of 4-byte (1 MByte of memory) or 8-byte (2 or 4 MBytes of memory) units to transfer to the display FIFO before allowing memory access for another purpose. This value (255 decimal) ensures that the FIFO will always be filled before the memory is released.
CR61	80	Bit 7 enables use of the L parameter described for CR62.
CR62	80	L parameter value. For a 2-MByte memory configuration, this is 1/8 of the number of bytes of displayed pixels (1028/8 in this case). The upper three bits of the L parameter in CR61 are not required for this mode.
CR67	00	Bits 7-4 specify the RAMDAC color mode. This value selects 8 bits/pixel for an 8-bit pixel address bus.



9.4.4 Memory Mapping of Enhanced Mode Registers

For improved performance, the Enhanced registers can be memory-mapped (MMIO). This function is enabled by setting bit 4 of CR53 or bit 5 of 4AE8H to 1. Image writes normally made by accessing I/O addresses E2E8H and E2EAH (the Pixel Data Transfer registers) are made instead by accessing any memory location in the 32-KByte address space from A0000H to A7FFFH. Accesses to the Enhanced command registers (write only) are made to particular locations in the A8000H to AFFFFH address range as shown in Table 9-5. The only exception is the Read Register Select register (BEE8H, Index 0FH), which cannot be accessed as a memory-mapped register.

Table 9-5. Memory-Mapped I/O Addresses for Enhanced Command Registers

I/O Address	Memory Address
8xE8H	A8xE8H
9xE8H	A9xE8H
AxE8H	AAxE8H
BxE8H	ABxE8H

9.4.5 Hardware Graphics Cursor Setup

Use of the 64x64 bits hardware graphics cursor is enabled by setting bit 0 of the Hardware Graphics Cursor Mode register (CR45) to 1. The hardware cursor only works in Enhanced mode (bit 1 of 4AE8H = 1). See the Programmable Hardware Cursor section of the Enhanced Mode Programming section for more information.



Section 10: VGA/Backward Compatibility Support

This section describes the Vision864's support for standard VGA, VESA Super VGA and older graphics standards.

10.1 VGA COMPATIBILITY

The Vision864 is compatible with the VGA standard. These modes are not accelerated using the Graphics Engine. However, other design features including a multi-modal FIFO provide excellent VGA performance.

Several of the standard VGA registers have been modified or extended in the Vision864. Table 10-1 describes these changes.

Table 10-1. Standard VGA Registers Modified or Extended in the Vision864

Register	Change to Standard VGA Definition
3C2H (Write)	VCLK selection via bits 3-2 has been modified as follows: 00 = 25.175 MHz (standard) 01 = 28.322 MHz (standard) 10 = Reserved 11 = VCLK frequency is selected by bits 3-0 of CR42 Access to these bits can be controlled via bit 7 of CR34.
3C2H (Read)	Reading this bit reports the state of the SENSE/BREQ input to the Vision864.
3C4H	The sequencer address has been extended from 3 to 4 bits to support the new SR8 and SRD registers
SR1	Access to bit 0 of this register is controlled by bit 5 of CR34. Bits 1-0 of CR32 allow selection of 7 and 9 dot characters in addition to the 8/9 dot section provided by bit 0 of this register.
SR8	This new register unlocks/locks access to the new SRD register
SRD	This new register provides the HSYNC and VSYNC controls required for VESA DPMS (Display Power Management) support.
CR0	Extension bit 8 is bit 0 of CR5D. Bit 5 of CR35 controls access to this register. Bit 7 of CR43 doubles the parameter size.
CR1	Extension bit 8 is bit 1 of CR5D. Bit 5 of CR35 controls access to this register. Bit 7 of CR43 doubles the parameter size.



CR2	Extension bit 8 is bit 2 of CR5D. Bit 5 of CR35 controls access to this register. Bit 7 of CR43 doubles the parameter size.
CR3	The length of the blanking pulse defined in this register can be extended by 64 DCLKs via bit 3 of CR5D. Bit 5 of CR35 controls access to this register. Bit 7 of CR43 doubles the parameter size.
CR4	Extension bit 8 is bit 4 of CR5D. Bit 5 of CR35 controls access to this register. Bit 7 of CR43 doubles the parameter size.
CR5	The length of the HSYNC pulse defined in this register can be extended by 32 DCLKs via bit 5 of CR5D. Bit 5 of CR35 controls access to this register. Bit 7 of CR43 doubles the parameter size.
CR6	In addition to the standard VGA extensions (bit 8 is bit 0 of CR7, bit 9 is bit 5 of CR47), bit 10 is bit 0 of CR5E. Bit 4 of CR35 controls access to this register.
CR7	Bit 4 of CR35 controls access to bits 0, 2, 3, 5 and 7 of this register.
CR9	Bit 4 of CR35 controls access to bit 5 of this register.
CRC	The display start address is a 20-bit value for the Vision864. The extension bits (20-16) are bits 4-0 of CR69.
CRE	The cursor location address is a 20-bit value for the Vision864. The extension bits (20-16) are bits 4-0 of CR69. When using a 4/8 bits/pixel color depth in Enhanced mode and an 8-bit RAMDAC, this register contains the hardware cursor foreground color.
CRF	When using a 4/8 bits/pixel color depth in Enhanced mode and an 8-bit RAMDAC, this register contains the hardware cursor background color.
CR10	In addition to the standard VGA extensions (bit 8 is bit 2 of CR7, bit 9 is bit 7 of CR7), bit 10 is bit 4 of CR5E. Bit 4 of CR35 controls access to this register.
CR11	Bit 4 of CR35 controls access to bits 3-0 of this register. Bit 6 (3/5 refresh cycles per line) can be overridden by CR3A_2-0. The actions of bits 4 and 5 on vertical interrupts are controlled by the setting of bit 4 of CR32 or the setting of bit 8 of 42E8H. Setting bit 1 of CR33 to 1 disables the write protect effect of bit 7 of this register on bits 1 and 6 of CR7.
CR12	In addition to the standard VGA extensions (bit 8 is bit 1 of CR7, bit 9 is bit 6 of CR7), bit 10 is bit 1 of CR5E.
CR13	Bit 2 of CR43 is the old extension bit (bit 8) of this register. Bits 5-4 of CR51 are the new extension bits (bits 9-8) of this register.
CR15	In addition to the standard VGA extensions (bit 8 is bit 3 of CR7, bit 9 is bit 5 of CR9), bit 10 is bit 2 of CR5E. Bit 4 of CR35 controls access to this register.
CR16	Bit 4 of CR35 controls access to this register.
CR17	Bit 5 of CR35 controls access to bit 2 of this register.
CR18	In addition to the standard VGA extensions (bit 8 is bit 4 of CR7, bit 9 is bit 6 of CR9), bit 10 is bit 6 of CR5E.
AR00-AR0F	Bit 6 of CR33 controls access to these registers.
46E8H	If bit 2 of CR65 is set to 1, the setup address is 3C3H instead of this address.
3C6H-3C9H	Bit 4 of CR33 controls writes to these registers.

For a detailed discussion of VGA programming, see *Programming Guide to the EGA and VGA Cards, Second Edition* by Richard F. Ferraro (Addison-Wesley Publishing Company, Inc.).



10.2 VESA SUPER VGA SUPPORT

The Vision864 supports the extended (Super) VGA modes defined by VESA. All modes are accelerated by the Vision864's Graphics Engine except for the planar (4 bits/pixel) ones.

10.3 BACKWARD COMPATIBILITY SUPPORT

The Vision864 supports CGA, MDA and HGC-compatible modes. None of these modes is accelerated.



Section 11: Enhanced Mode Programming

Enhanced mode provides a level of performance far beyond what is possible with the VGA architecture. Hardware line drawing, BitBlt, rectangle fill, and image transfers between CPU memory and display memory are implemented. Also implemented are data manipulation functions, such as data extension, data source selection, and read/write bitplane control. Hardware clipping is supported by 4 registers that define a rectangular clipping area. While in enhanced mode, the display memory bit map can be updated in two ways. One is to have the CPU write directly to memory. (This is also possible in non-Enhanced modes via paging.) The other is to have the CPU issue commands to the Graphics Engine, which then controls pixel updating. This section explains these two methods and provides a comprehensive set of Enhanced mode programming examples.

11.1 DIRECT BITMAP ACCESSING—LINEAR ADDRESSING

Linear addressing is useful when software requires direct access to display memory. In general, large image transfers to display memory can be performed faster using the Graphics Engine and memory-mapped I/O transfers. Linear addressing should not be enabled concurrently with memory-mapped I/O, which is described in the Software Setup section.

Enhanced mode operation must be enabled before linear addressing is enabled. This means that bit 0 of 4AE8H is set to 1 to enable Enhanced mode functions and bit 3 of CR31 is set to 1 to specify Enhanced mode memory mapping.

The Vision864 provides linear addressing of up to 4 MBytes of display memory. Linear addressing of more than 64 KBytes requires that the CPU be operated in 386 protected mode.

The Graphics Engine busy flag, bit 9 of 9AE8H, should be verified to be 0 (not busy) before linear addressing is enabled by setting bit 4 of CR58 or bit 4 of 4AE8H to 1. The size of the linear address window is set via bits 1-0 of CR58. The base address for the linear addressing window is set via CR59 and CR5A (or via the Base Address 0 (Index 10H) PCI configuration register for PCI systems).

The linear addressing window size can be set to 64 KBytes. The base address for the window is set by programming bits 31-16 of the window position in CR59-CR5A. This allows the CPU to be operated in real mode. If bit 0 of CR31 is set to 1, the memory page offset (64K bank) specified in bits 5-0 of CR6A is added to the linear addressing window position base address, allowing access to up to 4 MBytes of display memory through a 64-KByte window.



11.2 BITMAP ACCESS THROUGH THE GRAPHICS ENGINE

When updating the display bitmap through the Graphics Engine, all CPU data moves through the Pixel Data Transfer registers (E2E8H and E2EAH). These registers can be memory mapped as explained in Memory Mapping of Enhanced Mode Registers in the Software Setup section.

The Graphics Engine manipulates the bits for each pixel to assign a color index or true color value, which is then translated via a programmable RAMDAC before being displayed on a CRT. Selected bits in a pixel can be masked off from being displayed by programming the DAC Mask register (3C6H). The Vision864 can manipulate 64 bits each clock cycle, from two 32-bit pixels to eight 8-bit pixels.

Figure 11-1 is a flowchart for the process of updating the color of each pixel. Start at the block labeled 'New Color' in the middle of Figure 11-1. At this stage, a color has been determined that may or may not be used to update a pixel in the bitmap. How this color is determined will be covered later.

The first hurdle for the new color is the color compare process. If this is turned off (bit 8 of BEE8H, Index 0EH = 0), the new color is passed to the Write Mask register (AAE8H). If the plane to which the pixel update is directed has been masked off in this register, no update occurs. Otherwise, the new color value is written to the bitmap.

If color compare is enabled (bit 8 of BEE8H, Index 0EH = 1), the new color value (source) is compared to a color value programmed into the Color Compare (B2E8H) register. The sense of the color comparison is determined by the SRC NE (source not equal) bit (bit 7) of BEE8H, Index 0EH. If this bit is 0, the new pixel color value is passed to the write mask only when the source color does not match the color in the Color Compare register. If this bit is 1, the new pixel color value is passed to the write mask only when the source color matches the color in the Color Compare register. If the new pixel color value is not passed to the write mask, no update occurs. Notice that the source color is used for the comparison, as opposed to the destination (bitmap) color used by the standard VGA color compare operation.

The new color is the result of a logical mix performed on a color source and the current color in the bitmap. For example, the color source could be XORed with the bitmap color. The new color can also be selected by operating on only the color source or the bitmap color, e.g., NOT color source. Both the color source and the logical mix operation are specified in either the Background Mix register (B6E8H) or the Foreground Mix register (BAE8H). Which of these two registers is used is determined by the settings of bits [7:6] of the Pixel Control register (BEE8H, Index 0AH).

To set up the pixel color updating scheme, the programmer specifies one of four color sources by writing bits 6-5 of the Background Mix and Foreground Mix registers. The color sources are:

- Background Color register (A2E8H)
- Foreground Color register (A6E8H)
- CPU (via the Pixel Data Transfer registers (E2E8H, E2EAH))
- Current display bitmap color index

One of 16 logical operations is chosen by writing bits 3-0 of the Background Mix and Foreground Mix registers. Examples of logical operations are making the new pixel color index equal to the NOT of the current bitmap color index or making the new index equal to the XOR of the source and current bitmap indices.

When the logical operation and color source have been specified in the Background and Foreground Mix registers, bits 7-6 of the Pixel Control register are written to specify the source of the mask bit

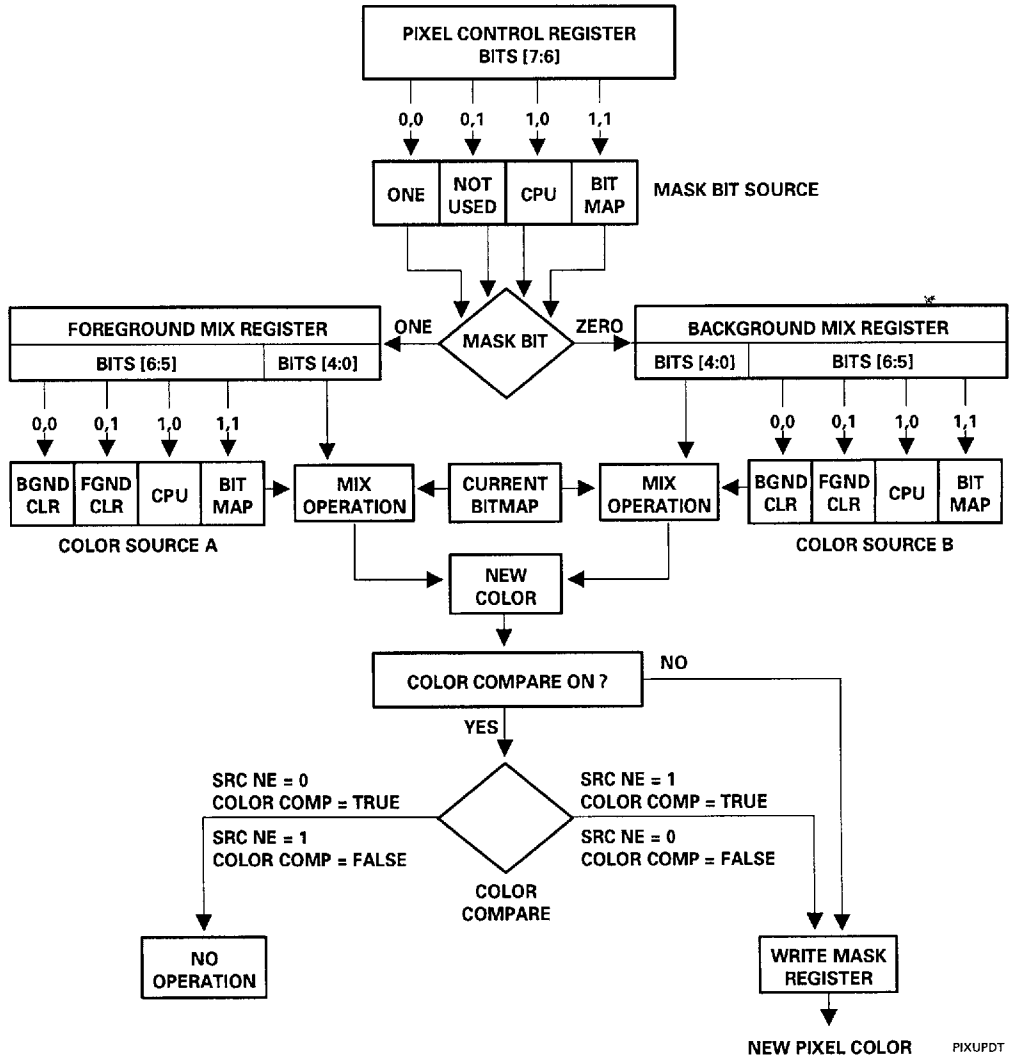


Figure 11-1. Pixel Update Flowchart



value. If the resulting mask bit is a 'ONE', the Foreground Mix register is used to determine the color source and mix. If the mask bit is a 'ZERO', the Background Mix register is used to determine the color source and mix. There are three sources for the mask bit value:

- Always ONE (Foreground Mix register used)
- CPU (via the Pixel Data Transfer registers (E2E8H, E2EAH))
- Bitmap

Setting bits 7-6 to 00b sets the mask bit to 'ONE'. All drawing updates to the video bitmap use the Foreground Mix register settings. This setup is used to draw solid lines, through-the-plane image transfers to display memory and BitBLTs.

If bits 7-6 are set to 10b, the mask bit source is the CPU. After the draw operation command is issued to the Drawing Command register (9AE8), a mask bit corresponding to every pixel drawn on the display must be provided via the Pixel Data Transfer register(s). If the mask bit is 'ONE', the Foreground Mix register is used. If the mask bit is 'ZERO', the Background Mix register is used. Note that if the color source is the CPU, the mask bit source cannot also be the CPU, and vice versa. This setup is used to transfer monochrome images such as fonts and icons to the screen.

If bits 7-6 are set to 11b, the current display bit map is selected as the mask bit source. The Read Mask register (AAE8H) is set up to indicate the active planes. When all bits of the read-enabled planes for a pixel are a 1, the mask bit 'ONE' is generated. If any one of the read-enabled planes is a 0, then a mask bit 'ZERO' is generated. If the mask bit is 'ONE', the Foreground Mix register is used. If the mask bit is 'ZERO', the Background Mix register is used. Note that if the color source is the bitmap, the mask bit source cannot also be the bitmap, and vice versa. This setting is used to BitBLT patterns and character images.

11.3 PROGRAMMING

This section provides programming examples of Enhanced mode features provided by the Vision864.

11.3.1 Notational Conventions

The REGMNEMONIC on the left hand side of the arrow is the register mnemonic of the I/O port being written into. Text following a ';' is a comment.

```
REGMNEMONIC ← XXXXH           ; Load a hexadecimal value into the register.
REGMNEMONIC ← XXXXD          ; Load a decimal value into the register.
REGMNEMONIC ← XXXX           ; Load a decimal value into the register
REGMNEMONIC ← XXXXXXXXXXXXXXXB ; Load a binary value into the register.
```

The programming examples often contain the following step:

wait for FIFO X empty

where X is some number between 1 and 13. This number equals the number of commands to follow that may need to be stored in the command FIFO before execution. The number of empty command FIFO entries is determined by reading the FIFO-STATUS bits of the Graphics Processor Status register (9AE8H, Read). See the register description for the interpretation of these bits.



11.3.2 Initial Setup

All examples assume the desired mode is selected. The RAMDAC must also be set up appropriately.

The Bitmap Access Through the Graphics Engine section earlier in this section explains in detail how the colors, mixes and the data extensions are set for each example. These registers need not be set repeatedly before a series of draw commands if they use the same colors, mixes and data extension.

All bitmap updates are affected by the settings in the clipping registers (BEE8H, Indices 1-4) and the choice of internal or external clipping (BEE8H, Index E, bit 5). These must be set up so they include the area being drawn into.

If color compare is to be used, it must be enabled by setting bit 8 of BEE8H, Index 0EH to 1. Bit 7 of this register determines whether a TRUE or FALSE comparison allows the pixel update to continue. The comparison color is programmed into the Color Compare register (B2E8).

All planes are enabled for writing unless explicitly set otherwise in an example. This is done via the Write Mask register (AAE8H).

11.3.3 Programming Examples

This section provides programming examples for the following Enhanced mode drawing operations:

- Solid Line
- Textured Line
- Rectangle
- Image Transfer—Through the Plane
- Image Transfer—Across the Plane
- BitBLT—Through the Plane
- BitBLT—Across the Plane
- Pattern Fill—Through the Plane
- Pattern Fill—Across the Plane
- Short Stroke Vectors
- Programmable Hardware Cursor

In addition, an example of the programming of the hardware cursor is provided.

A number of programming steps are repeated in multiple examples. They are explained in detail at their first occurrence. Therefore, readers are encouraged to work through the examples from first to last.

The register mnemonics used in the examples are listed in Table 11-1.

**Table 11-1 Mnemonics Used in the Programming Examples**

Mnemonic	Register
BKGD_COLOR	Background Color (A2E8)
BKGD_MIX	Background Mix (B6E8H)
CMD	Drawing Command (9AE8H)
CUR_X	Current X Position (86E8H)
CUR_Y	Current Y Position (82E8H)
DESTY_AXSTP	Destination Y-Position/Axial Step Constant (8AE8H)
DESTY_DIASTP	Destination X-Position/Diagonal Step Constant (8EE8H)
ERR_TERM	Error Term (92E8H)
FRGD_COLOR	Foreground Color (A6E8H)
FRGD_MIX	Foreground Mix (BAE8H)
MAJ_AXIS_PCNT	Major Axis Pixel Count (96E8H)
MIN_AXIS_PCNT	Minor Axis Pixel Count (BEE8H)
PIXEL_CNTL	Pixel Control (BEE8H)
PIX_TRANS	Pixel Data Transfer (E2E8H) - Also E2EAH for 32-bit transfers.
RD_MASK	Bitplane Read Mask (AEE8H)
SHORT_STROKE	Short Stroke Vector Transfer (9EE8H)
WRT_MASK	Bitplane Write Mask (AAE8H)
Mnemonic	Description
NEW	Mix = 00111b in bits 4-0 of BAE8H or B6E8H. This overwrites the present bitmap color value with a new value.
XOR	Mix = 00101b in bits 4-0 of BAE8H or B6E8H. The current bitmap color is XORed with the new color.



11.3.3.1 Solid Line

Draw a solid line using axial coordinates from x_1, y_1 to x_2, y_2 using the mix NEW and color index 2.

Setup:

Drawing a line using axial coordinates requires programming the axial step constant into the Destination Y-Position/Axial Step Constant (8AE8H) register (DESTY_AXSTP), the diagonal step constant into the Destination X-Position/Diagonal Step Constant (8EE8H) register (DESTX_DIASTP) and the error term into the Error Term (92E8H) register (ERR_TERM). Calculation of these three constants is based on the MAX and MIN parameters as calculated below.

MAX = maximum($ABS(x_2-x_1)$, $ABS(y_2-y_1)$)

MIN = minimum($ABS(x_2-x_1)$, $ABS(y_2-y_1)$)

where maximum means choose the largest of the two terms in parentheses and minimum means choose the smallest. ABS means take the absolute value of the expression.

Bits 7-5 of the Drawing Command (9AE8H) register (CMD) specify the drawing direction. Setting bit 7 to 1 means that the Y drawing direction is positive ($y_1 < y_2$). Clearing bit 7 to 0 means the Y drawing direction is negative ($y_1 > y_2$). Setting bit 6 to 1 means that Y is the major (longer) axis ($ABS(x_2-x_1) > ABS(y_2-y_1)$). Clearing bit 6 to 0 means that X is the major axis. Setting bit 5 to 1 means that the X drawing direction is positive ($x_1 < x_2$). Clearing bit 5 to 0 means that the X drawing direction is negative ($x_1 > x_2$). These values replace the DDD sequence in the write to the CMD register shown in the pseudocode below.

The mix NEW represents a setting of 0111b in bits 3-0 of the Foreground Mix (BAE8H) register (FRGD_MIX). This overwrites the present bitmap color value with a new value.

The remainder of the setup is:

Wait For FIFO 3 empty	; Three commands to follow
FRGD_MIX \leftarrow 0027H	; color source is FRGD_COLOR, mix type is NEW
FRGD_COLOR \leftarrow 00000002H	; color index
PIXEL_CNTL \leftarrow A000H	; FRGD_MIX provides color source and mix type

Drawing Operation:

Wait For FIFO 7 empty	; 7 commands to follow
CUR_X \leftarrow x_1	; set starting horizontal position
CUR_Y \leftarrow y_1	; set starting vertical position
MAJ_AXIS_PCNT \leftarrow MAX - 1	; length in pixels of the major axis - 1
DESTX_DIASTP \leftarrow 2 * (MIX-MAX)	; diagonal step constant
DESTY_AXSTP \leftarrow 2 * MIN	; axial step constant
If the X drawing direction is positive then	
ERR_TERM \leftarrow 2 * MIN - MAX	; error term
else if the X drawing direction is negative	
ERR_TERM \leftarrow 2 * MIN - MAX - 1	; error term
CMD \leftarrow 00100000DDD10011b	; Draw line command (bits 15-13), Draw (as opposed to ; just move current position)(bit 4), draw multiple pixels (bit 1), ; write (bit 0).



11.3.3.2 Textured Line

Draw a textured line from x_1, y_1 to x_2, y_2 using the mix NEW for the foreground mix, XOR for the background mix, foreground color index 2 and background color index 4. The 32-bit line texture/pattern (PATTERN) is 00110000111100110011000011110011b. When the pattern bit is a 1, the pixel is written with the foreground color and mix. When the bit is a 0, the pixel is written with the background color and mix.

Setup:

The XOR mix corresponds to a setting of 0101b in bits 3-0 of the Background Mix (B6E8H) register (BKGD_MIX). See the Solid Line example for an explanation of other parameters and registers used in this example.

```
Wait For FIFO 5 empty           ; 5 commands to follow
FRGD_MIX ← 0027H                ; color source is FRGD_COLOR, NEW mix type
FRGD_COLOR ← 00000002H          ; color index
BKGD_MIX ← 0005H                ; color source BKGD_COLOR, XOR mix type
BKGD_COLOR ← 00000004H         ; color index
PIXEL_CNTL ← A080H              ; mask data selecting mix register is provided by the CPU
```

Drawing Operation:

```
Wait For FIFO 7 empty           ; 7 commands to follow
CUR_X ← x1                       ; set starting horizontal position
CUR_Y ← y1                       ; set starting vertical position
MAJ_AXIS_PCNT ← MAX - 1          ; length in pixels of major axis - 1
DESTX_DIASTP ← 2 * (MIX-MAX)    ; diagonal step constant
DESTY_AXSTP ← 2 * MIN           ; axial step constant
If the X drawing direction is positive then
    ERR_TERM ← 2 * MIN - MAX    ; error term
else if the X drawing direction is negative
    ERR_TERM ← 2 * MIN - MAX - 1 ; error term
CMD ← 00100101DDD10011b        ; Draw line (bits 15-13), 32-bit bus (bits 10-9), wait for data from
                                ; the Pixel Data Transfer register (bit 8), Draw (bit 4),
                                ; Multi-pixel (bit 1), Write (bit 0),
```

COUNT (of PATTERN dwords) = (MAX + 31)/32 (See Note)

```
PIX_TRANS ← 00110000111100110011000011110011b ; Output PATTERN to Pixel Data Transfer
                                                    ; registers COUNT times
```

Note

The COUNT of the number of writes required by the CPU is a function of the number of bits to be transferred and the width of the transfer (8, 16 or 32 bits as specified by bits 10-9 of the Drawing Command register (9AE8H)). The number of bits transferred per line must be an even multiple of the transfer width. If this is not the case, the last write per line must be padded with one or more dummy bits to meet this requirement. For example, if the transfer width is 8 bits and nine bits are to be transferred for the line, two bytes must be written per line, with the upper 7 bits of the second byte padded. In general, the number of padding bits per line will vary from 0 to (n-1), where n is the transfer width in bits.



With a transfer width of 8 bits, the number of byte writes required per line can be determined from the formula $n = (MAX+7)/8$, with n being truncated to an integer if the result contains a fraction. Thus a MAX = 11 transfer requires $(11+7)/8 = 2 \frac{1}{4} = 2$ bytes. The formulas for all transfer widths are given below.

8-bit transfers: COUNT = $(MAX+7)/8$ bytes

16-bit transfers: COUNT = $(MAX+15)/16$ words

32-bit transfers: COUNT = $(MAX+31)/32$ dwords



11.3.3.3 Rectangle

Draw a rectangle with its top left corner at x1,y1, height = HEIGHT and width = WIDTH. Use the mix NEW and color index 2. The drawing direction (bits 7-5 in the write to the CMD register below) is set to X positive, X major and Y positive (101b).

Setup:

```

Wait For FIFO 3 empty           ; 3 commands to follow
FRGD_MIX ← 0027H                ; color source is FRGD_COLOR, NEW mix type
FRGD_COLOR ← 00000002H          ; color index
PIXEL_CNTL ← A000H              ; FRGD_MIX specifies the color source and mix type

```

Draw Operation:

```

Wait For FIFO 5 empty           ; 5 commands to follow
CUR_X ← x1                       ; set starting horizontal position
CUR_Y ← y1                       ; set starting vertical position
MAJ_AXIS_PCNT ← WIDTH-1          ; rectangle width
MIN_AXIS_PCNT ← HEIGHT-1         ; rectangle height
CMD ← 0100000010110011b         ; Draw rectangle (bits 15-13), Draw (bit 4), Multi-pixel (bit 1),
                                   ; Write (bit 0)

```

Note

The rectangle can be defined by specifying any one of the four corners and setting bits 7-5 accordingly. Always select X as the major axis (bit 6 =0). No matter how the rectangle is defined, it always fills from left to right and top to bottom.

Corner	X direction (bit 5)	Y direction (bit 7)
top left	positive (1)	positive (1)
top right	negative (0)	positive (1)
bottom left	positive (1)	negative (0)
bottom right	negative (0)	negative (0)



11.3.3.4 Image Transfer—Through the Plane

A rectangular image is transferred from the CPU to the display memory through the plane. The image is stored as an array of pixels arranged in row major fashion. This example uses a mix type of NEW and x1,y1 is the top left corner of the rectangle on the display. The height and width of the rectangle (in pixels) are HEIGHT and WIDTH.

Setup:

```
Wait For FIFO 6 empty          ; 6 commands to follow
FRGD_MIX ← 0047H              ; color source is the CPU, mix type is NEW
PIXEL_CNTL ← A000H            ; FRGD_MIX is the source for color source and mix type
```

Drawing Operation:

```
CUR_X ← x1                    ; set starting horizontal position
CUR_Y ← y1                    ; set starting vertical position
MAJ_AXIS_PCNT ← WIDTH-1      ; rectangle width
MIN_AXIS_PCNT ← HEIGHT-1     ; rectangle height
Wait for Graphics Engine not busy ; loop till bit 9 of 9AE8H register is 0
CMD ← 01010101D0110001b     ; Draw rectangle (bits 15-13), Swap ON (bit 12),
                              ; 32-bit transfers (bits 10-9), Wait for CPU data (bit 8),
                              ; Always X Major (bit 6) & X Positive (bit 5), Draw (bit 4),
                              ; Write (bit 0)
```

COUNT (of image pixel data to transfer) = (See Note)

PIX_TRANS ← IMAGEDATA; Output image data to the Pixel Data Transfer registers for COUNT dwords.

Note

The COUNT of the number of writes required by the CPU is a function of the number of pixels to be transferred, the width of the transfer (8, 16 or 32 bits as specified by bits 10-9 of the Drawing Command register (9AE8H)) and the color depth (bits/pixel). The number of pixels transferred per line must be an even multiple of the transfer width. If this is not the case, the last write per line must be padded with one or more dummy pixels to meet this requirement. For example, at 4 bits/pixel, each byte holds two pixels. If the transfer width is one byte and three pixels are to be transferred per line, two bytes must be written per line, with the upper nibble of the second byte a dummy pixel. If the transfer width is 16 bits, from one to three dummy pixels may be required to make the number of pixels per line an even multiple of 16. The number of word writes required per line can be determined from the formula $n = (W+3)/4$, with n being truncated to an integer if the result contains a fraction. Thus a six pixel transfer requires $(6+3)/4 = 2.25 = 2$ words. This is then multiplied by the height of the the image (in pixels) to determine the COUNT of words to be transferred. Similar procedures apply to every other combination of the variables affecting the COUNT. The formulas for all cases are given below, where W is the width of the image and H is the height of the image, both in pixels.

COUNT for 4 bits/pixel modes

8-bit transfers: COUNT = $(W+1)/2 * H$ bytes

16-bit transfers: COUNT = $(W+3)/4 * H$ words

32-bit transfers: COUNT = $(W+7)/8 * H$ dwords



COUNT for 8 bits/pixel modes

8-bit transfers: COUNT = $W * H$ bytes

16-bit transfers: COUNT = $(W+1)/2 * H$ words

32-bit transfers: COUNT = $(W+3)/4 * H$ dwords

COUNT for 16 bits/pixel modes

8-bit transfers: Do not use this combination

16-bit transfers: COUNT = $W * H$ words

32-bit transfers: COUNT = $(W+1)/2 * H$ dwords

COUNT for 32 bits/pixel modes

8-bit transfers: COUNT = Do not use this combination

16-bit transfers: COUNT = $2W * H$ words

32-bit transfers: COUNT = $W * H$ dwords

Note that in 32 bits/pixel modes, the upper byte is a dummy byte providing padding for a 24-bit pixel.



11.3.3.5 Image Transfer—Across the Plane

A rectangular image is transferred from the CPU to the display memory across the plane. The monochrome bit image is stored as an array of pixels arranged in row major fashion. A byte represents data for 8 pixels in a row. This example uses a mix type of NEW, and x1,y1 is the top left corner of the rectangle on the display. The height and width of the rectangle (in pixels) are HEIGHT and WIDTH. The monochrome image is translated so that pixels corresponding to a 1 in the bit image are given color index 4 and pixels corresponding to a 0 in the bit image are given color index 0.

Setup:

```
Wait For FIFO 5 empty           ; 5 commands to follow
FRGD_MIX ← 0027H                ; foreground color source, mix type NEW
FRGD_COLOR ← 00000004H          ; foreground color index 4
BKGD_MIX ← 0007H                ; background color source, mix type NEW
BKGD_COLOR ← 00000000H          ; background color index 0
PIXEL_CNTL ← A080H              ; selection of mix register is based on data from the CPU
```

Drawing Operation:

```
Wait For FIFO 4 empty           ; 4 commands to follow
CUR_X ← x1                       ; set starting horizontal position
CUR_Y ← y1                       ; set starting vertical position
MAJ_AXIS_PCNT ← WIDTH-1          ; rectangle width
MIN_AXIS_PCNT ← HEIGHT-1        ; rectangle height
Wait for Graphics Engine not busy ; loop till bit 9 of 9AE8H register is 0
CMD ← 01010011D0110011b         ; Draw rectangle (bits 15-13), Swap ON (bit 12),
                                ; 16-bit transfers (bits 10-9), Wait for CPU data (bit 8),
                                ; Always X Major (bit 6) & X Positive (bit 5), Draw (bit 4),
                                ; Multiple pixel (bit 1), Write (bit 0)
```

COUNT (of image pixel data to transfer) = ((WIDTH + 15)/16)*HEIGHT words

PIX_TRANS ← IMAGEDATA; Output image data to Pixel Transfer register for COUNT words

Notes

The COUNT of the number of writes required by the CPU is a function of the number of pixels to be transferred and the width of the transfer (8, 16 or 32 bits as specified by bits 10-9 of 9AE8H). The number of pixels transferred per line must be an even multiple of the transfer width. If this is not the case, the last write per line must be padded with one or more dummy pixels to meet this requirement. For example, if the transfer width is 8 bits and nine pixels are to be transferred per line, two bytes must be written per line, with the upper 7 bits of the second byte padded. In general, the number of padding bits per line will vary from 0 to (n-1), where n is the transfer width in bits.

With a transfer width of 8 bits, the number of byte writes required per line can be determined from the formula $n = (W+7)/8$, with n being truncated to an integer if the result contains a fraction. Thus a 13-bit pixel transfer requires $(13+7)/8 = 2.5 = 2$ bytes. This is then multiplied by the height of the image (in pixels) to determine the COUNT of bytes to be transferred. Similar procedures apply to every other combination of the variables affecting the COUNT. The formulas for all cases are given below, where W is the width of the image and H is the height of the image, both in pixels.



S3 Incorporated

8-bit transfers: $COUNT = (W+7)/8 * H$ bytes

16-bit transfers: $COUNT = (W+15)/16 * H$ words

32-bit transfers: $COUNT = (W+31)/32 * H$ dwords

To write to a single plane, set the foreground mix to 'logical one' (0002H), the background mix to 'logical zero' (0001H), and the Write Mask register (AAE8H) to select the desired (single) plane for updates.



11.3.3.6 BitBLT—Through the Plane

A source rectangular area in display memory is transferred to a specified destination in display memory. The pixels are written into the destination rectangle using the current foreground mix. Assume x_1, y_1 is the top left corner of the source rectangle in display memory and x_2, y_2 is the top left corner of the destination rectangle. The rectangles could be overlapping or disjoint. The height and width (in pixels) of the rectangle are HEIGHT and WIDTH.

Setup:

First, the values of the Srcx, Srcy, Destx and Desty must be determined.

Case 1: Source and destination rectangles do not overlap

For X Positive, Y Positive: Srcx = x_1 , Srcy = y_1 , Destx = x_2 , Desty = y_2

Case 2: Source and destination rectangles overlap

If $x_1 > x_2$

then if X Positive, Srcx = x_1 , Destx = x_2

else

Srcx = $x_1 + \text{WIDTH} - 1$, Desty = $x_2 + \text{WIDTH} - 1$; X Negative

If $y_1 > y_2$

then if Y Positive, Srcy = y_1 , Desty = y_2

else

Srcy = $y_1 + \text{HEIGHT} - 1$, Desty = $y_2 + \text{HEIGHT} - 1$; Y Negative

Wait For FIFO 2 empty ; 2 commands to follow
 PIXEL_CNTL \leftarrow A000H ; FRGD_MIX is the source of color source and mix type
 FRGD_MIX \leftarrow 0067H ; color source is display memory and mix type is NEW

Draw Operation:

Wait For FIFO 7 empty ; 7 commands to follow
 CUR_X \leftarrow Srcx ; set starting horizontal position
 CUR_Y \leftarrow Srcy ; set starting vertical position
 DESTX_DIASTP \leftarrow Destx ; set destination horizontal position
 DESTY_AXSTP \leftarrow Desty ; set destination vertical position
 MAJ_AXIS_PCNT \leftarrow WIDTH-1 ; rectangle width
 MIN_AXIS_PCNT \leftarrow HEIGHT-1 ; rectangle height
 CMD \leftarrow 11000000D0D10011b ; BitBLT (bits 15-13), Always X Major (bit 6) , Draw (bit 4),
 ; Multi-pixel (bit 1), Write (bit 0)



11.3.3.7 BitBLT—Across the Plane

A source rectangular area in display memory is transferred to a specified destination in display memory. The bits corresponding to a single plane specified by setting the Read Mask register (AEE8H) can be transferred. With more than 1 plane enabled for read, if all the bits in the planes enabled for read are '1's then a '1' is read. If a bit in any one of the planes enabled for read is a '0', then '0' is read. Assume x_1, y_1 is the top left corner of the source rectangle on the display, and x_2, y_2 is the top left corner of the destination rectangle. The image is read from plane 0 and written to plane 2. The rectangles could be overlapping or disjoint. The height and width (in pixels) of the rectangle are HEIGHT and WIDTH.

Setup:

First, the values of the Srcx, Srcy, Destx and Desty must be determined.

Case 1: Source and destination rectangles do not overlap

For X Positive, Y Positive: Srcx = x_1 , Srcy = y_1 , Destx = x_2 , Desty = y_2

Case 2: Source and destination rectangles overlap

If $x_1 > x_2$

 then if X Positive, Srcx = x_1 , Destx = x_2

else

 Srcx = $x_1 + \text{WIDTH} - 1$, Desty = $x_2 + \text{WIDTH} - 1$; X Negative

If $y_1 > y_2$

 then if Y Positive, Srcy = y_1 , Desty = y_2

else

 Srcy = $y_1 + \text{HEIGHT} - 1$, Desty = $y_2 + \text{HEIGHT} - 1$; Y Negative

```
Wait For FIFO 5 empty           ; 5 commands to follow
PIXEL_CNTL ← A0C0H             ; data from display memory selects mix register
FRGD_MIX ← 0002H               ; always 'logical 1'
BKGD_MIX ← 0001H               ; always 'logical 0'
RD_MASK ← 00000001H           ; Read from plane 0
WRT_MASK ← 00000004H           ; plane 2 enabled for write
```

Draw Operation:

```
Wait For FIFO 7 empty           ; 7 commands to follow
CUR_X ← Srcx                     ; set starting horizontal position
CUR_Y ← Srcy                     ; set starting vertical position
DESTX_DIASTP ← Destx             ; set destination horizontal position
DESTY_AXSTP ← Desty             ; set destination vertical position
MAJ_AXIS_PCNT ← WIDTH-1         ; rectangle width
MIN_AXIS_PCNT ← HEIGHT-1       ; rectangle height
CMD ← 11000000D0D10011b        ; BitBLT (bits 15-13), Always X Major (bit 6), Draw (bit 4),
                                ; Multi-pixel (bit 1), Write (bit 0)
```

**Note**

It is possible to translate a monochrome image, e.g., text fonts, stored in a single plane in display memory into a 2-color image. This is accomplished by setting the mix registers differently and setting the desired background and foreground colors. If the source bit is a '1', then the corresponding pixel at the destination is colored with the foreground color index. The destination pixel is colored with the background color index if the corresponding source bit is a '0'. The setup for this is as follows:

```
WRT_MASK ← FFFFFFFFH           ; enable all planes for writing
FRGD_MIX ← 0027H                ; color source foreground, mix type NEW
BKGD_MIX ← 0007H                ; color source background, mix type NEW
FRGD_COLOR ← 00000004H          ; foreground color
BKGD_COLOR ← 00000001H          ; background color
```



11.3.3.8 PatBLT—Pattern Fill Through the Plane

An 8x8 pixel pattern is initially copied into an off-screen area of display memory using an image transfer operation or a direct write. This source pattern is then repeatedly copied to a destination rectangle of arbitrary size. The destination rectangle must not overlap the source pattern. Each copy is aligned to an 8-pixel boundary (x coordinate = 0, 8, etc.). The pixels are written into the destination rectangle using the current foreground mix. Assume x1,y1 is the top left corner of the source rectangle on the display and x2,y2 is the top left corner of the destination rectangle. The height and width (in pixels) of the rectangle are HEIGHT and WIDTH.

Setup:

```

Wait For FIFO 2 empty           ; 2 commands to follow
PIXEL_CNTL ← A000H             ; FRGD_MIX is the source of color source and mix type
FRGD_MIX ← 0067H               ; color source is display memory, mix type is NEW

```

Draw Operation

```

Wait For FIFO 7 empty           ; 7 commands to follow
CUR_X ← x1                       ; set starting horizontal position
CUR_Y ← y1                       ; set starting vertical position
DESTX_DIASTP ← x2                ; set destination horizontal position
DESTY_AXSTP ← y2                 ; set destination vertical position
MAJ_AXIS_PCNT ← WIDTH-1          ; rectangle width
MIN_AXIS_PCNT ← HEIGHT-1        ; rectangle height
CMD ← 11100000D0D10011b         ; Pattern Fill (bits 15-13), Always X Major (bit 6) , Draw (bit 4),
                                ; Multi-pixel (bit 1), Write (bit 0)

```



11.3.3.9 PatBLT—Pattern Fill Across the Plane

An 8x8 pixel pattern is initially copied into an off-screen area of display memory using an image transfer operation or by a direct write. This source pattern is then transferred to a specified destination in display memory. The destination rectangle must not overlap the source rectangle. The bits corresponding to a single plane specified by setting the Read Mask register (AEE8H) can be transferred. With more than 1 plane enabled for read, if all the bits in the planes enabled for read are '1's, then a '1' is read. If a bit in any one of the planes enabled for read is a '0', then '0' is read. Assume x1,y1 is the top left corner of the source rectangle on the display, and x2,y2 is the top left corner of the destination rectangle. The image is read from plane 0 and written to plane 2. The height and width of the rectangle are HEIGHT and WIDTH.

Setup:

```
Wait For FIFO 5 empty           ; 5 commands to follow
PIXEL_CNTL ← A0C0H             ; data from display memory selects mix register
FRGD_MIX ← 0002H               ; always 'logical 1'
BKGD_MIX ← 0001H               ; always 'logical 0'
RD_MASK ← 00000001H           ; read from plane 0
WRT_MASK ← 00000004H           ; plane 2 enabled for write
```

Draw Operation:

```
Wait For FIFO 7 empty           ; 7 commands to follow
CUR_X ← x1                      ; set starting horizontal position
CUR_Y ← y1                      ; set starting vertical position
DESTX_DIASTP ← x2               ; set destination horizontal position
DESTY_AXSTP ← y2               ; set destination vertical position
MAJ_AXIS_PCNT ← WIDTH-1         ; rectangle width
MIN_AXIS_PCNT ← HEIGHT-1       ; rectangle height
CMD ← 11100000D0D10011b        ; Pattern Fill (bits 15-13), Always X Major (bit 6) , Draw (bit 4),
                                ; Multi-pixel (bit 1), Write (bit 0)
```

Note

To expand the source mono pattern into a 2-color pattern, set the foreground mix to 27H, the background mix to 7H and the foreground and background colors as desired. Also set the write mask (AAE8H) to FFFFFFFFH.



11.3.3.10 Short Stroke Vectors

Using short stroke vectors, short lines up to 15 pixels in length can be drawn rapidly because it is not necessary to calculate and set the line constants. Such lines are constrained to one of the 8 directions at 45 degree increments starting at 0 degrees. The current point x_1, y_1 is set and a NOP command is issued to set all the desired drawing parameters without actually writing a pixel. For example, bit 2 (Last Pixel Off) would be set to 1 (OFF) for drawing connected lines until the last line is drawn. The short stroke vector parameters are then loaded in the Short Stroke Vector Transfer (9EE8H) register (SHORT_STROKE). Two vectors can be defined at a time, one in the low byte and one in the high byte. For the low byte, bits [7:5] define the direction, with bit 4 set to '1' for a draw operation or to '0' for a move current position operation. Bits 3-0 define the length of the short line. Let SSVD0, SSVD1, ...SSVDN-1 bytes be the short stroke vector data for N lines.

Setup:

```
Wait For FIFO 3 empty           ; 3 commands to follow
PIXEL_CNTL ← A000H             ; FRGD_MIX is the source of color source and mix type
FRGD_MIX ← 0027H               ; use the foreground color, mix type NEW
FRGD_COLOR ← 00000004H        ; foreground color index 4
```

Draw Operation:

```
CUR_X ← x1                     ; set starting horizontal position
CUR_Y ← y1                     ; set starting vertical position
CMD ← 00010010XXX11111b       ; NOP (bits 15-13), Byte Swap (bit 12), 16-bit transfers (bits 10-9),
                                ; Draw (bit 4), RadialDir (bit 3), LPixelOff (bit 2), Multi-pixel (bit 1),
                                ; Write (bit 0)
```

While space available in the FIFO

```
SHORT_STROKE ← SSVD1 SHL 8 + SSVD0 ; SSVD1 shifted to high byte, SSVD0 in low byte
SHORT_STROKE ← SSVD3 SHL 8 + SSVD2 ; Byte swap turned on to read vectors out in
                                ; correct order
.
.
.
SHORT_STROKE ← SSVDN-1 SHL 8 + SSVDN-2
```



11.3.3.11 Programmable Hardware Cursor

A programmable cursor is supported which is compatible with the Microsoft Windows (bit 4 of CR55 = 0) and X11 (bit 4 of CR55 = 1) cursor definitions. The cursor size is 64 pixels wide by 64 pixels high, with the cursor pattern stored in an off-screen area of display memory. Two monochrome images 64 bits wide by 64 bits high (512 bytes per image) define the cursor shape. The first bit image is an AND mask and the second bit image is an XOR mask. The following is the truth table for the cursor display logic.

AND Bit	XOR Bit	Displayed (Microsoft Windows)	Displayed (X11)
0	0	Cursor Background Color	Current Screen Pixel
0	1	Cursor Foreground Color	Current Screen Pixel
1	0	Current Screen Pixel	Cursor Background Color
1	1	NOT Current Screen Pixel	Cursor Foreground Color

The Cursor Location High register (CRE) holds the hardware cursor foreground color and the Cursor Location Low register (CRF) holds the hardware cursor background color when hardware cursor color depth is 4/8 bits/pixel (CR45, bits 3-2 = 00b) and an 8-bit RAMDAC is being used. For all other values of bits 3-2 of CR45 when using an 8-bit RAMDAC, the hardware cursor color is taken from the Hardware Graphics Cursor Foreground Stack (CR4A) and the Hardware Graphics Cursor Background Stack (CR4B) registers. Each of these is a stack of four 8-bit registers. The stack pointers are reset to 0 by reading the Hardware Graphics Cursor Mode register (CR45). The color value is then programmed by consecutive writes (low byte, second byte, third byte, fourth byte) to the appropriate (foreground or background) register. When using a 16-bit RAMDAC, the cursor colors are always taken from CR4A and CR4B.

Enabling/Disabling the Cursor

The hardware cursor is disabled when a VGA-compatible mode is in use. It can be enabled or disabled when in Enhanced mode (bit 0 of 4AE8H = 1), as follows.

```
CR39 ← A0H           ; Unlock System Control registers
CR45_0 ← 1           ; Enable hardware cursor
CR45_0 ← 0           ; Disable hardware cursor
CR39 ← 00H           ; Lock System Control registers
```

Positioning the Cursor

The cursor can be positioned at any point on the display, with the X,Y coordinates ranging from 0 to 2047. This enables the full cursor images to be displayed on the screen and partial cursor images to be displayed at the right edge and the bottom edge of the screen. The cursor offset OX,OY has to be set to 0,0 for a 1024x768 resolution. If X is > (1024 - 64) or Y is > (768 - 64), then a partial cursor is visible at the right edge or top edge of the screen respectively. Note that if Y ≥ 768 then the cursor is not visible; it is residing in the off-screen area.

A partial cursor image can be displayed at the left edge or the top edge of the screen. To enable partial cursor display at the top edge of the screen, Y is set to 0 and the Y offset register is set to OY (range from 0 to 63). This displays the bottom 64-OY rows of the cursor image at the currently set X position and the top edge of the screen. Similarly, a partial cursor can be displayed at the left edge of the screen by setting X to 0 and the X offset register to OX (range from 0 to 63). This displays the right 64-OX columns of the cursor image at the currently set X and the left edge of the screen. The following pseudocode illustrates cursor positioning.



CR39 ← A0H ; Unlock System Control registers
 CR46_10-8 ← MS 3 bits of X cursor position
 CR47_7-0 ← LS 8 bits of X cursor position
 CR49_7-0 ← LS 8 bits of Y cursor position
 CR4E_5-0 ← Cursor Offset X position
 CR4F_5-0 ← Cursor Offset Y position
 CR48_10-8 ← MS 3 bits of Y cursor position
 CR39 ← 00H ; Lock System Control registers

The cursor position is updated by the hardware once each frame. Therefore, the programmer should ensure that the position is re-programmed no more than once for each vertical sync period.

Programming the Cursor Shape

The AND and the XOR cursor image bitmaps are 512 bytes each. These are stored in consecutive bytes of off-screen display memory, 512 AND bytes followed by 512 XOR bytes. The starting location must be on a 1024-byte boundary. This location is programmed into the Hardware Graphics Cursor Start Address registers (CR4C and CR4D) as follows:

CR39 ← A0H ; Unlock System Control registers
 CR4C_11-8 ← MS 4 bits of the cursor storage start 1024-byte segment
 CR4D ← LS 8 bits of the cursor storage start 1024-byte segment
 CR39 ← 0 ; Lock System Control registers

The value programmed is the 1024-byte segment of display memory at which the beginning of the hardware cursor bit pattern is located.

The 1024 bytes of cursor definition are then written directly to display memory by the CPU using linear addressing.

Note

If the cursor is not 64 bits by 64 bits, the given images should be padded to make the cursor image 64 bits by 64 bits. The padded area should be made transparent by padding the extra AND mask bits with '1's and the extra XOR bits by '0's.

11.4 RECOMMENDED READING

Graphics Programming for the 8514/A by Jake Richter and Bud Smith (M&T Publishing, Inc) provides extensive explanations and examples for programming most of the bits in the S3 Enhanced Registers.

Although not released at the time this data book was printed, the 3rd edition of *Programming Guide to the EGA and VGA Cards* by Richard F. Ferraro (Addison-Wesley Publishing Company, Inc) is scheduled to include a section on programming for S3 accelerator chips.



Section 12: CGA-Compatible Register Descriptions

In the following register descriptions, "U" stands for undefined or unused and "R" stands for reserved (write = 0, read = U).

See Appendix A for a table listing each register in this section and its page number.

Light Pen High Register (LPENH)

Read Only Address: 3D5H, Index 10H
Power-On Default: Undefined

15	14	13	12	11	10	9	8
U	U	Light Pen Strobe Address High					

Light Pen Low Register (LPENL)

Read Only Address: 3D5H, Index 11H
Power-On Default: Undefined

7	6	5	4	3	2	1	0
Light Pen Strobe Address Low							

These registers contain the 14 memory address bits at the time the light pen strobe signal was detected in CGA and HGC modes.

These registers are not available in VGA mode.

The light pen is not actually connected to most systems, but the LP set/reset flag can be used to read the video memory addresses at the vertical retrace interval. The CPU can read the video memory address through this register. The screen mode and the video memory address have a known ratio at the vertical retrace interval. Therefore, the CPU can guess the screen mode (ex: low or high resolution, and text or graphics) from the light pen detect address at the vertical retrace.

The mode register is a write-only register, except in VGA mode. The CPU cannot read any screen mode information directly. Therefore the light pen detect address at the vertical retrace interval is used as a mode indicator indirectly in CGA and HGC modes.



CGA Mode Control Register (CGA_MODE)

Read/Write Address: 3D8H
Power-On Default: 00H

7	6	5	4	3	2	1	0
R	R	TEXT BLNK	HRES GRPH	DISP ENB	B/W MODE	GRPH MODE	HRES TEXT

- Bit 0** HRES TEXT - High Resolution Text
0 = 40 x 25 alpha mode
1 = 80 x 25 alpha mode
- Bit 1** GRPH MODE - Graphics Mode
0 = Alpha Mode
1 = Graphics Mode
- Bit 2** B/W MODE - Black/White Mode
0 = Color enabled
1 = Color disabled. In 320 x 200 x 4 color mode, pixel bits represent:
00 = background
01 = cyan
10 = red
11 = white
- Bit 3** DISP ENB - Display Enable
0 = Screen Blank
1 = Video Enabled
- Bit 4** HRES GRPH - High Resolution Graphics
0 = all other modes
1 = Enable 640 x 200 graphics mode
- Bit 5** TEXT BLNK - Text Blinking
0 = Blinking disabled
1 = Blinking enabled

Bits 7-6 Reserved



CGA Color Select Register (CGA_COLOR)

Read/Write Address: 3D9H
Power-On Default: 00H

7	6	5	4	3	2	1	0
R	R	SEL CSET	SEL I-EN	BORDER/BKGR COLOR			
				I	R	G	B

In 640 x 200 (2 color) mode, pixel bit = 0 corresponds to black and pixel bit = 1 corresponds to the foreground color specified by bits 3-0 of this register.

- Bit 0** BORDER/BKGR COLOR - Blue Border Select
0 = Blue not selected
1 = Select blue border in alpha mode, select blue background and border color in 320 x 200 graphics mode, select blue foreground color in 640 x 200 graphics mode.
- Bit 1** BORDER/BKGR COLOR - Green Border Select
0 = Green not selected
1 = Select green border in alpha mode, select green background and border color in 320 x 200 graphics mode, select green foreground color in 640 x 200 graphics mode.
- Bit 2** BORDER/BKGR COLOR - Red Border Select
0 = Red not selected
1 = Select red border in alpha mode, select red background and border color in 320 x 200 graphics mode, select red foreground color in 640 x 200 graphics mode.
- Bit 3** BORDER/BKGR COLOR - Intensified Border
0 = No intensification
1 = Select intensified border in alpha mode, select intensified background and border color in 320 x 200 graphics mode, select intensified foreground color in 640 x 200 graphics mode.
- Bit 4** SEL I-EN - Alternate Color Set
0 = Alternate color set not enabled
1 = Background color in alpha mode. Enable alternate (high intensity) color set in graphics mode.
- Bit 5** SEL CSET - Select color set in 320x200 mode
0 = Pixel Bits
 00 = Background determined by bits 3-0
 01 = Green
 10 = Red
 11 = Yellow
1 = Pixel Bits
 00 = Background determined by bits 3-0
 01 = Cyan
 10 = Violet
 11 = White

Bits 7-6 Reserved



CGA Status Register (CGA_STAT)

Read Only Address: 3DAH
Power-On Default: Undefined

7	6	5	4	3	2	1	0
= 1	= 1	= 1	= 1	VSY	= 1	LPF	DTM

Bit 0 $\overline{\text{DTM}}$ - Border/Blanking Active
0 = Active display
1 = Border/Blanking Active

Bit 1 LPF - Light Pen Flag
0 = Light Pen Latch cleared
1 = Light Pen Latch triggered

Bit 2 = 1
0 = Light Pen switch closed (not available)
1 = Light Pen switch open

Bit 3 VSY - Vertical Sync Active
0 = Inactive Vertical Sync
1 = Active Vertical Sync

Bits 7-4 Reserved = 1



Clear Light Pen Flag Register (CLPEN)

Write Only Address: 3DBH
Power-On Default: Undefined

7	6	5	4	3	2	1	0
Reset Light Pen Flag							

The CPU can control the light pen flag with I/O writes with any data to 3B9H or 3DCH to set, and 3BBH or 3DBH to reset. The CPU can guess the screen mode indirectly by reading the video memory address at the vertical retrace interval. When the light pen flag is set to 1, the video memory address at that time is stored in the Light Pen High and Low registers. The sequence to read the light pen detect address is:

1. Clear the light pen flag with an I/O write to 3BBH or 3DBH.
2. Wait for the vertical sync signal (VSY) to set.
3. Set light pen flag with an I/O write to 3B9H or 3DCH.
4. Read the light pen detect address.
5. Return to 1.

Set Light Pen Flag Register(SLPEN)

Write Only Address: 3DCH
Power-On Default: Undefined

7	6	5	4	3	2	1	0
Set Light Pen Flag							

A write of anything to this register sets the light pen flag. See the description for the Reset Lightpen Flag register above.



Section 13: MDA- and HGC-Compatible Register Descriptions

In the following register descriptions, "U" stands for undefined or unused and "R" stands for reserved (write = 0, read = U). See Appendix A for a table listing each register in this section and its page number.

Light Pen High Register (LPENH)

Read Only Address: 3B5H, Index 10H
Power-On Default: Undefined

Refer to the description in Section 12.

Light Pen Low Register (LPENL)

Read Only Address: 3B5H, Index 11H
Power-On Default: Undefined

Refer to the description in Section 12.

MDA-Mode Control Register (MDA_MODE)

Read/Write Address: 3B8H
Power-On Default: 00H

7	6	5	4	3	2	1	0
R	R	TXT BLK	R	DSP ENB	R	R	R

Bits 2-0 Reserved



Bit 3 DSP ENB - Enable Display
0 = (screen blank)
1 = Video enabled

Bit 4 Reserved

Bit 5 TXT BLK - Text Blinking
0 = Blinking disabled
1 = Blinking enabled

Bits 7-6 Reserved

HGC- Mode Control Register (HGC_MODE)

Read/Write Address: 3B8H
Power-On Default: 00H

7	6	5	4	3	2	1	0
HGC PAGE	R	TXT BLK	R	DSP ENB	R	GRPPH MODE	R

Bit 0 Reserved

Bit 1 GRPH MODE - Graphics Mode
0 = 80 x 25 alpha mode enabled
1 = 720 x 348 graphics mode enabled

Bit 2 Reserved

Bit 3 DSP ENB - Enable Display
0 = (screen blank)
1 = Video enabled

Bit 4 Reserved

Bit 5 TXT BLK - Text Blinking
0 = Blinking disabled
1 = Blinking enabled

Bit 6 Reserved

Bit 7 HGC PAGE - Hercules Graphics Page
0 = graphics mode buffer displayed from B0000H (video page 0)
1 = graphics mode buffer displayed from B8000H (video page 1)



Set Light Pen Flag Register (HGC_SLPEN)

Write Only Address: 3B9H
Power-On Default: Undefined

Refer to the description in Section 12.

HGC Status Register (HGC_STS)

Read Only Address: 3BAH
Power-On Default: Undefined

7	6	5	4	3	2	1	0
$\overline{\text{VSY}}$	= 1	= 1	= 1	V-DT	= 1	LPF	HSY

Bit 0 HSY - Horizontal Sync
0 = Active display
1 = Border/Blanking Active

Bit 1 LPF - Light Pen Flag
0 = Light Pen Flag off
1 = Light Pen Flag on

Bit 2 Reserved = 1

Bit 3 V-DT - Black/White Video
0 = B/W Video disabled
1 = B/W Video enabled

Bits 6-4 Reserved = 1

Bit 7 $\overline{\text{VSY}}$ - Vertical Sync Inactive
0 = Active Vertical Sync
1 = Inactive Vertical Sync



MDA Status Register (MDA_STS)

Read Only Address: 3BAH
Power-On Default: Undefined

7	6	5	4	3	2	1	0
= 1	= 1	= 1	= 1	TEST	=1	= 1	HSY

Bit 0 HSY - Horizontal Sync
0 = Active display
1 = Border/Blanking Active

Bits 2-1 Reserved = 1

Bit 3 TEST
0 = B/W Video disabled
1 = B/W Video enabled

Bits 7-4 Reserved = 1

Clear Light Pen Flag Register (HGC_CLPEN)

Write Only Address: 3BBH
Power-On Default: Undefined

Refer to the description in Section 12.

HGC Configuration Register (CONFIG)

Write Only Address: 3BFH
Power-On Default: 00H

7	6	5	4	3	2	1	0
U	U	U	U	U	U	ENB PAGE	ENB GRPH

Bit 0 ENB PAGE - Enable Page
0 = Alpha mode is forced.
1 = Allows graphics mode.

Bit 1 ENB GRPH - Enable Graphics
0 = Bit 7 of Hercules Mode register can't be set, thus video memory occupies B0000H-B7FFFH, which allows the CGA to coexist.
1 = Bit 7 of Hercules Mode register can be set, allowing upper memory page access.



Section 14: VGA Standard Register Descriptions

In the following register descriptions, 'U' stands for undefined or unused and 'R' stands for reserved (write = 0, read = U). A question mark in an address stands for a hexadecimal value of either 'B' or 'D'. If bit 0 of the Miscellaneous Output Register (3C2H, Write) is set to 1, the address is based at 3DxH for color emulation. If this bit is reset to 0, the address is based at 3BxH for monochrome emulation.

See Appendix A for a table listing each register in this section and its page number.

14.1 GENERAL REGISTERS

This section describes general input status and output control registers.

Miscellaneous Output Register (MISC)

Write Only Address: 3C2H
Read Only Address: 3CCH
Power-On Default: 00H

This register controls miscellaneous output signals. A hardware reset sets all bits to zero.

7	6	5	4	3	2	1	0
VSP	HSP	PGSL	= 0	CLK 1	SEL 0	ENB RAM	IOA SEL

Bit 0 IOA SEL - I/O Address Select
0 = Monochrome emulation. Address based at 3Bx
1 = Color emulation. Address based at 3Dx

Bit 1 ENB RAM - Enable CPU Display Memory Access
0 = Disable access of the display memory from the CPU
1 = Enable access of the display memory from the CPU



Bit 3-2 Clock Select - Select the Video Clock Source
 00 = Selects 25.175 MHz clock for 640 horizontal pixels
 01 = Selects 28.322 MHz clock for 720 horizontal pixels
 10 = Reserved
 11 = Enable dot clock select bits in the Mode Control register (CR42), bits 3-0. This is an enhanced function

Bit 4 Reserved = 0

Bit 5 PGSL -Select High 64K Page
 0 = Select the low 64K page of memory
 1 = Select the high 64K page of memory

Bit 6 $\overline{\text{HSP}}$ - Select Negative Horizontal Sync Pulse
 0 = Select a positive horizontal retrace sync pulse
 1 = Select a negative horizontal retrace sync pulse

Bit 7 $\overline{\text{VSP}}$ - Select Negative Vertical Sync Pulse
 0 = Select a positive vertical retrace sync pulse
 1 = Select a negative vertical retrace sync pulse

Feature Control Register (FCR_WT, FCR_AD)

Write Only Address: 37AH
 Read Only Address: 3CAH
 Power-On Default: 00H

7	6	5	4	3	2	1	0
= 0	= 0	= 0	= 0	VSSL	= 0	= 0	= 0

Bits 2-0 Reserved = 0

Bit 3 VSSL - Vertical Sync Type Select
 0 = Enable normal vertical sync output to the monitor
 1 = The 'vertical sync' output is the logical OR of 'vertical sync' and 'vertical active display enable' (an internal signal).

Bits 7-4 Reserved = 0

**Input Status 0 Register (STATUS_0)**

Read Only Address: 3C2H

Power-On Default: Undefined

This register indicates the status of the VGA adapter.

7	6	5	4	3	2	1	0
CRT INTPE	= 0	= 0	MON SENS	= 0	= 0	= 0	= 0

Bits 3-0 Reserved = 0**Bit 4** MON SENS - Monitor Sense Input Status0 = The $\overline{\text{SENSE/BREQ}}$ input is a logical 01 = The $\overline{\text{SENSE/BREQ}}$ input is a logical 1The $\overline{\text{SENSE/BREQ}}$ input functions as $\overline{\text{BREQ}}$ (memory bus request from another memory master) when bit 2 of CR50 is set to 1.**Bits 6-5** Reserved = 0**Bit 7** CRT INTPE - CRT Interrupt Status

0 = Vertical retrace interrupt cleared

1 = Vertical retrace interrupt pending. Interrupt generation is enabled via bit 5 of CR11 for VGA modes and bit 8 of 42E8H for Enhanced modes.

Input Status 1 Register (STATUS_1)

Read Only Address: 37AH

Power-On Default: Undefined

This register indicates video sync timing and video wraparound.

7	6	5	4	3	2	1	0
= 0	= 0	TST-VDT 1 0	VSY	= 1	LPF	DTM	

Bit 0 $\overline{\text{DTM}}$ - Display Mode Inactive

0 = The display is in the display mode.

1 = The display is not in the display mode. Either the horizontal or vertical retrace period is active

Bit 1 LPF - Light Pen Flag Triggered

0 = Light pen has not been triggered

1 = Light pen has been triggered

Bit 2 Reserved = 1



Bit 3 VSY - Vertical Sync Active
0 = Display is in the display mode
1 = Display is in the vertical retrace mode

Bits 5-4 TST-VDT - Video Signal Test
Video Data Feedback 1,0. These bits are feedback video signals to do read back tests. These bits are selectively connected to two of the eight color outputs of the attribute controller. Bits 5 and 4 of the color plane enable register (AR12) control the multiplexer for this video output observation.

Bits 7-6 Reserved = 0

14.2 SEQUENCER REGISTERS

The sequencer registers are located at two-byte address spaces. These registers are accessed by first writing the data to the index register of the sequencer at I/O address 3C4H and then writing to or reading from the data register at 3C5H.

Sequencer Index Register (SEQX)

Read/Write Address: 3C4H
Power-On Default: Undefined

This register is loaded with a binary value that indexes the sequencer register for read/write data. This value is referred to as the "Index Number" of the SR register in this document.

7	6	5	4	3	2	1	0
R	R	R	R	SEQ ADDRESS			

Bits 3-0 SEQ ADDRESS - Sequencer Register Index
A binary value indexing the register where data is to be accessed.

Bits 7-4 Reserved = 0



Sequencer Data Register (SEQ_DATA)

Read/Write Address: 3C5H
Power-On Default: Undefined

This register is the data port for the sequencer register indexed by the Sequencer Index register (3C4H).

7	6	5	4	3	2	1	0
SEQ DATA							

Bit 7-0 SEQ DATA - Sequencer Register Data
Data to the sequencer register indexed by the sequencer address index.

Reset Register (RST_SYNC) (SR0)

Read/Write Address: 3C5H, Index 00H
Power-On Default: 00H

7	6	5	4	3	2	1	0
= 0	= 0	= 0	= 0	= 0	= 0	SYN RST	ASY RST

Bit 0 $\overline{\text{ASY RST}}$ - Asynchronous Reset

This bit is for VGA software compatibility only. It has no function for the Vision864.

Bit 1 $\overline{\text{SYN RST}}$ - Synchronous Reset

This bit is for VGA software compatibility only. It has no function for the Vision864.

Bits 7-2 Reserved = 0



Clocking Mode Register (CLK_MODE) (SR1)

Read/Write Address: 3C5H, Index 01H
Power-On Default: 00H

This register controls the operation mode of dot clock and character clock.

7	6	5	4	3	2	1	0
= 0	= 0	SCRN OFF	SHF 4	DCK 1/2	SHF LD	= 0	8DC

- Bit 0** 8DC - 8 Dot Clock Select
0 = Character clocks 9 dots wide are generated
1 = Character clocks 8 dots wide are generated
- Bit 1** Reserved = 0
- Bit 2** SHF LD - Load Serializers Every Second Character Clock
0 = Load the video serializer every character clock
1 = Load the video serializers every other character clock
- Bit 3** DCK 1/2 - Internal dot clock = 1/2 DCLK
0 = Set the internal dot clock to the same frequency as the DCLK input
1 = Set the internal dot clock to 1/2 the frequency of the DCLK input
- Bit 4** SHF 4 - Load Serializers Every Fourth Character Clock
0 = Load the serializers every character clock cycle
1 = Load the serializers every fourth character clock cycle
- Bit 5** SCRNOFF - Screen Off
0 = Screen is turned on
1 = Screen is turned off
- Bit 7-6** Reserved = 0

Enable Write Plane Register (EN_WT_PL) (SR2)

Read/Write Address: 3C5H, Index 02H
Power-On Default: 00H

This register selects write protection or write permission for CPU write access into video memory.

7	6	5	4	3	2	1	0
= 0	= 0	= 0	= 0	EN.WT.PL			

- Bits 3-0** EN.WT.PL - Enable Write to a Plane
0 = Disables writing into the corresponding plane
1 = Enables the CPU to write to the corresponding color plane



Bits 7-4 Reserved = 0

Character Font Select Register (CH_FONT_SL) (SR3)

Read/Write Address: 3C5H, Index 03H
Power-On Default: 00H

7	6	5	4	3	2	1	0
= 0	= 0	SLA 2	SLB 2	SLA 1 0		SLB 1 0	

In text modes, bit 3 of the attribute byte normally turns the foreground intensity on or off. This bit can be redefined to be a switch between two character sets. The switch is enabled when there is a difference between the value of character font select A and character font select B bits. Memory Mode (SR4) register bit 1 = 1 (extended memory) enables all bits of this function; otherwise character fonts 0 and 4 are available. 256 KBytes of video memory support 8 character sets. This register is reset to 0 asynchronously during a system reset.

Bits 4, 1-0 SLB - Select Font B

This value selects the portion of plane 2 used to generate text character fonts when bit 3 of the attribute byte is a logical 1, according to the following table:

Bits 4,1,0	Font Table Location	Bits 4, 1,0	Font Table Location
000	First 8K of plane 2	100	Second 8K of plane 2
001	Third 8K of plane 2	101	Fourth 8K of plane 2
010	Fifth 8K of plane 2	110	Sixth 8K of plane 2
011	Seventh 8K of plane 2	111	Eighth 8K of plane 2

Bits 5, 3-2 SLA - Select Font A

This value selects the portion of plane 2 used to generate text character fonts when bit 3 of attribute byte is a logical 0, according to the same table as the character font select A.

Bits 7-6 Reserved = 0



Memory Mode Control Register (MEM_MODE) (SR4)

Read/Write Address: 3C5H, Index 04H
Power-On Default: 00H

This register controls CPU memory addressing mode.

7	6	5	4	3	2	1	0
= 0	= 0	= 0	= 0	CHN 4M	SEQ MODE	EXT MEM	= 0

Bit 0 Reserved = 0

Bit 1 EXT MEM - Extended Memory Access
0 = Memory access restricted to 16/32 KBytes
1 = Allows complete memory access to 256 KBytes. Required for VGA

Bit 2 SEQ MODE - Sequential Addressing Mode
This bit affects only CPU write data accesses into video memory. Bit 3 of this register must be 0 for this bit to be effective.
0 = Enables the odd/even addressing mode. Even addresses access planes 0 and 2.
Odd addresses access planes 1 and 3
1 = Directs the system to use a sequential addressing mode

Bit 3 CHN 4M - Select Chain 4 Mode
0 = Enables odd/even mode.
1 = Chain 4 Mode. This bit selects modulo 4 addressing for CPU access to display memory. A logical 1 directs the two lower order bits of the CPU address used to select the plane in video memory to be accessed as follows:

A1	A0	Plane Selected
0	0	0
0	1	1
1	0	2
1	1	3

Bits 7-4 Reserved = 0



Unlock Extended Sequencer Register (UNLK_EXSR) (SR8)

Read/Write Address: 3C5H, Index 08H
Power-On Default: 00H

Loading xxxx0110b (e.g., 06H) unlocks the Extended Sequencer register (SRD) for reading/writing. (x = don't care).

7	6	5	4	3	2	1	0
R	R	R	R	=0	=1	=1	=0

Extended Sequencer Register (EX_SR_D) (SRD)

Read/Write Address: 3C5H, Index 0DH
Power-On Default: 00H

7	6	5	4	3	2	1	0
VSY-CTL		HSY-CTL		R	R	R	R
1	0	1	0				

This register provides independent control of the HSYNC and VSYNC signals, therefore supporting the VESA DPMS (Display Power Management Control) standard.

Bits 3-0 Reserved

Bits 5-4 HSY-CTL - HSYNC Control

- 00 = Normal operation
- 01 = HSYNC = 0
- 10 = HSYNC = 1
- 11 = Reserved

Bits 7-6 VSY-CTL - VSYNC Control

- 00 = Normal operation
- 01 = VSYNC = 0
- 10 = VSYNC = 1
- 11 = Reserved



14.3 CRT CONTROLLER REGISTERS

The CRT controller registers are located at two locations in I/O address space. These registers are accessed by first writing to the index register of the CRT controller and then accessing the data register. The index register is located at I/O address 374H and the CRT Controller Data register is at 375H. Which address is used (3BX or 3DX) depends on bit 0 of the Miscellaneous Output register at 3C2H.

CRT Controller Index Register (CRTC_ADR) (CRX)

Read/Write Address: 374H
Power-On Default: 00H

This register is loaded with a binary value that indexes the CRT controller register where data is to be accessed. This value is referred to as the "Index Number" of the CR register (CR00-18). This register is also used as an index to the S3 VGA registers, the System Control Registers and the System Extension registers.

7	6	5	4	3	2	1	0
CRTC ADDRESS							

Bits 7-0 CRTC ADDRESS - CRTC Register Index
A binary value indexing the register where data is to be accessed.

CRT Controller Data Register (CRTC_DATA) (CRT)

Read/Write Address: 375H
Power-On Default: Undefined

This register is the data port for the CRT controller register indexed by the CRT Controller Address register.

7	6	5	4	3	2	1	0
CRTC DATA							

Bits 7-0 CRTC DATA - CRTC Register Data
Data to the CRT controller register indexed by the CRT controller address index.



Horizontal Total Register (H_TOTAL) (CR0)

Read/Write Address: 375H, Index 00H
Power-On Default: Undefined

This register defines the number of character clocks from HSYNC going active to the next HSYNC going active. In other words, it is the total time required for both the displayed and non-displayed portions of a single scan line. Bit 8 of this value is bit 0 of CR5D.

7	6	5	4	3	2	1	0
HORIZONTAL TOTAL							

Bits 7-0 HORIZONTAL TOTAL.

9-bit Value = (number of character clocks in one scan line) - 5. This register contains the least significant 8 bits of this value.

Horizontal Display End Register (H_D_END) (CR1)

Read/Write Address: 375H, Index 01H
Power-On Default: Undefined

This register defines the number of character clocks for one line of the active display. Bit 8 of this value is bit 1 of CR5D.

7	6	5	4	3	2	1	0
HORIZONTAL DISPLAY END							

Bits 7-0 HORIZONTAL DISPLAY END

9-bit Value = (number of character clocks of active display) - 1. This register contains the least significant 8 bits of this value.



Start Horizontal Blank Register (S_H_BLNK) (CR2)

Read/Write Address: 375H, Index 02H
Power-On Default: Undefined

This register specifies the value of the character clock counter at which the $\overline{\text{BLANK}}$ signal is asserted. Bit 8 of this value is bit 2 of CR5D.

7	6	5	4	3	2	1	0
START HORIZONTAL BLANK							

Bits 7-0 START HORIZONTAL BLANK
9-bit Value = character clock value at which horizontal blanking begins. This register contains the least significant 8 bits of this value.

End Horizontal Blank Register (E_H_BLNK) (CR3)

Read/Write Address: 375H, Index 03H
Power-On Default: Undefined

This register determines the pulse width of the $\overline{\text{BLANK}}$ signal and the display enable skew.

7	6	5	4	3	2	1	0
R	DSP-SKW 1 0		END HORIZONTAL BLANK				

Bits 4-0 END HORIZONTAL BLANK
6-bit Value = least significant 6 bits of the character clock counter value at which time horizontal blanking ends. To obtain this value, add the desired $\overline{\text{BLANK}}$ pulse width in character clocks to the Start Horizontal Blank value, which is also in character clocks. The 5 least significant bits of this sum are programmed into this field. The sixth bit is programmed into bit 7 of CR5. This allows a maximum pulse width of 63 character clocks. This pulse width can be extended by 64 DCLKs via bit 3 of CR5D.

Bits 6-5 DSP-SKW - Display Skew
These two bits determine the amount of display enable skew. Display enable skew control provides sufficient time for the CRT Controller to access the display buffer to obtain a character and attribute code, access the character generator font, and then go through the Horizontal Pixel Panning register in the Attribute Controller. Each access requires the display enable signal to be skewed one character clock unit so the video output is synchronous with the HSYNC and VSYNC signals. The bit values and amount of skew are shown in the following table:
00 = Zero character clock skew
01 = One character clock skew
10 = Two character clock skew
11 = Three character clock skew

Bit 7 Reserved

**Start Horizontal Sync Position Register (S_H_SY_P) (CR4)**

Read/Write Address: 375H, Index 04H
 Power-On Default: Undefined

This register is used to adjust the screen center horizontally and to specify the character position at which HSYNC becomes active. Bit 8 of this value is bit 4 of CR5D.

7	6	5	4	3	2	1	0
START HORIZONTAL SYNC POSITION							

Bits 7-0 START HORIZONTAL SYNC POSITION.

9-bit Value = character clock counter value at which HSYNC becomes active. This register contains the least significant 8 bits of this value.

End Horizontal Sync Position Register (E_H_SY_P) (CR5)

Read/Write Address: 375H, Index 05H
 Power-On Default: Undefined

This register specifies when the HSYNC signal becomes inactive and the horizontal skew. The HSYNC pulse defined by this register can be extended by 32 DCLKs via bit 5 of CR5D.

7	6	5	4	3	2	1	0
EHB b5	HOR-SKW 1 0		END HORIZONTAL SYNC POS				

Bits 4-0 END HORIZONTAL SYNC POS

5-bit Value = 5 least significant bits of the character clock counter value at which time HSYNC becomes inactive. To obtain this value, add the desired HSYNC pulse width in character clocks to the Start Horizontal Sync Position value, also in character clocks. The 5 least significant bits of this sum are programmed into this field. This allows a maximum HSYNC pulse width of 31 character clocks. This pulse width can be extended by 32 DCLKs via bit 5 of CR5D.

Bits 6-5 HOR-SKW - Horizontal Skew

These bits control the skew of the HSYNC signal. A binary 00 equals no HSYNC delay. For some modes, it is necessary to provide an HSYNC signal that takes up the entire blanking interval. Some internal timings are generated by the falling edge of the HSYNC signal. To guarantee the signals are latched properly, HSYNC is asserted before the end of the display enable signal, and then skewed several character clock times to provide the proper screen centering.

00 = Zero character clock skew
 01 = One character clock skew
 10 = Two character clock skew
 11 = Three character clock skew



Bit 7 EHB b5
End Horizontal Blanking bit 5.

Vertical Total Register (V_TOTAL) (CR6)

Read/Write Address: 375H, Index 06H
Power-On Default: Undefined

This register specifies the number of scan lines from one VSYNC active to the next VSYNC active. The scan line counter resets to 0 at this point. Bit 8 is bit 0 of CR7. Bit 9 is bit 5 of CR7. Bit 10 is bit 0 of CR5E.

7	6	5	4	3	2	1	0
VERTICAL TOTAL							

Bits 7-0 VERTICAL TOTAL
11-bit Value = (number of scan lines from VSYNC active to the next VSYNC active) - 2.
This register contains the least significant 8 bits of this value.

CRTC Overflow Register (OVFL_REG) (CR7)

Read/Write Address: 375H, Index 07H
Power-On Default: Undefined

7	6	5	4	3	2	1	0
VRS 9	VDE 9	VT 9	LCM 8	SVB 8	VRS 8	VDE 8	VT 8

This register provides extension bits for fields in other registers.

- Bit 0** Bit 8 of the Vertical Total register (CR6)
- Bit 1** Bit 8 of the Vertical Display End register (CR12)
- Bit 2** Bit 8 of the Vertical Retrace Start register (CR10)
- Bit 3** Bit 8 of the Start Vertical Blank register (CR15)
- Bit 4** Bit 8 of the Line Compare register (CR18)
- Bit 5** Bit 9 of the Vertical Total register (CR6)
- Bit 6** Bit 9 of the Vertical Display End register (CR12)
- Bit 7** Bit 9 of the Vertical Retrace Start register (CR10)



Preset Row Scan Register (P_R_SCAN) (CR8)

Read/Write Address: 375H, Index 08H
Power-On Default: Undefined

This register is used for the pixel scrolling and panning, and text formatting and vertical scrolling.

7	6	5	4	3	2	1	0
= 0	BYTE-PAN 1 0		PRE-SET ROW SCAN COUNT				

Bits 4-0 PRE-SET ROW SCAN COUNT

Value = starting row within a character cell for the first character row displayed after vertical retrace. This allows a partial character row to be displayed at the top of the display and is used for scrolling.

Bits 6-5 BYTE-PAN

Value = number of bytes to pan. The number of pixels to pan is specified in AR13.

Bit 7 Reserved = 0

Maximum Scan Line Register (MAX_S_LN) (CR9)

Read/Write Address: 375H, Index 09H
Power-On Default: Undefined

This register specifies the number of scan lines per character row and provides one scanning control bit and two overflow bits.

7	6	5	4	3	2	1	0
DBL SCN	LCM 9	SVB 9	MAX SCAN LINE				

Bits 4-0 MAX SCAN LINE

Value = (number of scan lines per character row) - 1

Bit 5 SVB 9

Bit 9 of the Start Vertical Blank Register (CR15)

Bit 6 LCM 9

Bit 9 of the Line Compare Register (CR18)

Bit 7 DBL SCN

0 = Normal operation

1 = Enables double scanning operation. Each line is displayed twice by repeating the row scan counter and video memory address. Vertical parameters in the CRT controller are not affected.



Cursor Start Scan Line Register (CSSL) (CRA)

Read/Write Address: 375H, Index 0AH
Power-On Default: Undefined

The cursor start register defines the row scan of a character line where the cursor begins.

7	6	5	4	3	2	1	0
= 0	= 0	CSR OFF	CSR CURSOR START SCAN LINE				

Bits 4-0 CSR CURSOR START SCAN LINE

Value = (starting cursor row within the character cell) - 1. When the cursor start register is programmed with a value greater than the cursor end register, no cursor is generated.

Bit 5 CSR OFF

0 = Turns on the text cursor
1 = Turns off the text cursor

Bits 7-6 Reserved = 0

Cursor End Scan Line Register (CESL) (CRB)

Read/Write Address: 375H, Index 0BH
Power-On Default: Undefined

This register defines the row scan of a character line where the cursor ends.

7	6	5	4	3	2	1	0
= 0	CSR-SKW		CURSOR END SCAN LINE				
	1	0					

Bits 4-0 CURSOR END SCAN LINE

Value = ending scan line number within the character cell for the text cursor. If the value of the cursor start scan line is greater than the value of cursor end line, then no cursor is generated.

Bits 6-5 CSR-SKW - Cursor Skew

These bits control the delay skew of the cursor signal. Cursor skew delays the text cursor by the selected number of clocks. For example, a skew of 1 moves the cursor right one character position on the screen.

- 00 = Zero character clock skew
- 01 = One character clock skew
- 10 = Two character clock skew
- 11 = Three character clock skew

Bit 7 Reserved = 0



Start Address High Register (STA(H)) (CRC)

Read/Write Address: 375H, Index 0CH
Power-On Default: Undefined

15	14	13	12	11	10	9	8
DISPLAY START ADDRESS (HIGH)							

20-bit Value = the first address after a vertical retrace at which the display on the screen begins on each screen refresh. These along with bits 3-0 of CR69 are the high order start address bits.

Start Address Low Register (STA(L)) (CRD)

Read/Write Address: 375H, Index 0DH
Power-On Default: Undefined

7	6	5	4	3	2	1	0
DISPLAY START ADDRESS (LOW)							

Start address (low) contains the 8 low order bits of the address.

Cursor Location Address High Register (CLA(H)) (CRE)

Read/Write Address: 375H, Index 0EH
Power-On Default: Undefined

15	14	13	12	11	10	9	8
CURSOR LOCATION ADDRESS (HIGH)							

20-bit Value = the cursor location address of the video memory where the text cursor is active. This register along with bits 3-0 of CR69 are the high order bits of the address. When using a 4/8 bits/pixel color depth and an 8-bit RAMDAC in Enhanced mode, this register contains the hardware cursor foreground color.



Cursor Location Address Low Register (CLA(L)) (CRF)

Read/Write Address: 3?5H, Index 0FH
Power-On Default: Undefined

7	6	5	4	3	2	1	0
CURSOR LOCATION ADDRESS (LOW)							

Cursor location address (low) contains the 8 low order bits of the address. When using a 4/8 bits/pixel color depth and an 8-bit RAMDAC in Enhanced mode, this register contains the hardware cursor background color.

Vertical Retrace Start Register (VRS) (CR10)

Read/Write Address: 3?5H, Index 10H
Power-On Default: Undefined

7	6	5	4	3	2	1	0
VERTICAL RETRACE START							

Bits 7-0 VERTICAL RETRACE START.
11-bit Value = number of scan lines at which VSYNC becomes active. These are the low-order 8 bits. Bit 8 is bit 2 of CR7. Bit 9 is bit 7 of CR7. Bit 10 is bit 4 of CR5E.

Vertical Retrace End Register (VRE) (CR11)

Read/Write Address: 3?5H, Index 11H
Power-On Default: 0xH

This register controls the vertical interrupt and CR0-7

7	6	5	4	3	2	1	0
LOCK R0-7	REF 3/5	DIS VINT	CLR VINT	VERTICAL RETRACE END			

Bits 3-0 VERTICAL RETRACE END
Value = least significant 4 bits of the scan line counter value at which VSYNC goes inactive. To obtain this value, add the desired VSYNC pulse width in scan line units to the CR10 value, also in scan line units. The 4 least significant bits of this sum are programmed into this field. This allows a maximum VSYNC pulse width of 15 scan line units.



Bit 4 CLR VINT - Clear Vertical Retrace Interrupt

0 = Vertical retrace interrupt cleared

1 = The flip-flop is able to catch the next interrupt request

At the end of active vertical display time, a flip-flop is set for a vertical interrupt. The output of this flip-flop goes to the system interrupt controller. The CPU has to reset this flip-flop by writing a logical 0 to this bit while in the interrupt process, then set the bit to 1 to allow the flip-flop to catch the next interrupt request. Do not change the other bits in this register. This bit is cleared to 0 by the BIOS during a mode set, a reset, or power-on.

Bit 5 DIS VINT - Disable Vertical Interrupt

0 = Vertical retrace interrupt enabled

1 = Vertical interrupt disabled. This bit is cleared to 0 by the BIOS during a mode set, a reset, or power-on

Bit 6 REF 3/5 - Refresh Cycle Select

0 = Three DRAM refresh cycles generated per horizontal line

1 = Five DRAM refresh cycles generated per horizontal line. Selecting five refresh cycles allows use of the VGA chip with slow sweep rate displays (15.75 KHz).

This bit is cleared to 0 by the BIOS during a mode set, a reset, or power-on. This setting can be overridden via bits 1-0 of CR3A

Bit 7 LOCK R0-7 - Lock Writes to CRT Controller Registers

0 = Writing to all CRT Controller registers enabled

1 = Writing to all bits of the CRT Controller registers CR0-CR7 except bit 4 of CR7 (LCM8) disabled. This bit is set to 1 by the BIOS during a mode set, a reset or power-on

Vertical Display End Register (VDE) (CR12)

Read/Write

Address: 375H, Index 12H

Power-On Default: Undefined

The vertical display enable end register defines 8 bits of the 10-bit address of the scan line where the display on the screen ends. The ninth and the tenth bits are bits 1 and 6 of CR7. Bit 11 is bit 1 of CR5E.

7	6	5	4	3	2	1	0
VERTICAL DISPLAY END							

Bit 7-0 VERTICAL DISPLAY END

11-bit Value = (number of scan lines of active display) - 1. This register contains the least significant 8 bits of this value.

**Offset Register (SCREEN-OFFSET) (CR13)**

Read/Write Address: 375H, Index 13H
 Power-On Default: Undefined

This register specifies the logical line width of the screen and is sometimes called the screen pitch. The starting memory address for the next display row is larger than the current row by two, four or eight times this amount. Bits 5-4 of CR51 are extension bits 9-8 of this register. If these bits are 00b, bit 2 of CR43 is extension bit 8 of this register.

7	6	5	4	3	2	1	0
LOGICAL SCREEN WIDTH							

Bits 7-0 LOGICAL SCREEN WIDTH

10-bit Value = quantity that is multiplied by 2 (byte mode), 4 (word) mode or 8 (doubleword mode) to specify the difference between the starting byte addresses of two consecutive scan lines. This register contains the least significant 8 bits of this value. The addressing mode is specified by bit 6 of CR14 and bit 3 of CR17. Setting bit 3 of CR31 to 1 forces doubleword mode.

Underline Location Register (ULL) (CR14)

Read/Write Address: 375H, Index 14H
 Power-On Default: Undefined

This register specifies the horizontal row scan position of underline and display buffer addressing modes.

7	6	5	4	3	2	1	0
= 0	DBWD MODE	CNT BY4	UNDER LINE LOCATION				

Bits 4-0 UNDER LINE LOCATION

5-bit Value = (scan line count of a character row on which an underline occurs) - 1

Bit 5 CNT BY4 - Select Count by 4 Mode

0 = The memory address counter depends on bit 3 of CR17 (count by 2)
 1 = The memory address counter is incremented every four character clocks

The CNT BY4 bit is used when double word addresses are used.

Bit 6 DBLWD MODE - Select Doubleword Mode

0 = The memory addresses are byte or word addresses
 1 = The memory addresses are doubleword addresses

Bit 7 Reserved = 0



Start Vertical Blank Register (SVB) (CR15)

Read/Write Address: 375H, Index 15H
Power-On Default: Undefined

This register specifies the scan line at which the vertical blanking period begins. Bit 8 is bit 3 of CR7. Bit 9 is bit 5 of CR9. Bit 10 is bit 2 of CR5E.

7	6	5	4	3	2	1	0
START VERTICAL BLANK							

Bits 7-0 START VERTICAL BLANK.
11-bit value = (scan line count at which $\overline{\text{BLANK}}$ becomes active) - 1. This register contains the least significant 8 bits of this value.

End Vertical Blank Register (EVB) (CR16)

Read/Write Address: 375H, Index 16H
Power-On Default: Undefined

This register specifies the scan line count value when the vertical blank period ends.

7	6	5	4	3	2	1	0
END VERTICAL BLANK							

Bits 7-0 END VERTICAL BLANK
Value = least significant 8 bits of the scan line counter value at which vertical blanking ends. To obtain this value, add the desired width of the vertical blanking pulse in scan lines to [(value in the Start Vertical Blank register)-1], also in scan lines. The 8 least significant bits of this sum are programmed into this field. This allows a maximum vertical blanking pulse of 63 scan line units.

**CRTC Mode Control Register (CRT_MD) (CR17)**

Read/Write Address: 375H, Index 17H

Power-On Default: 00H

This register is a multifunction control register, with each bit defining a different specification.

7	6	5	4	3	2	1	0
RST	BYTE MODE	ADW 16K	= 0	WRD MODE	VT X2	4BK HGC	2BK CGA

Bit 0 $\overline{2BK}$ CGA - Select Bank 2 Mode for CGA Emulation

0 = Row scan counter bit 0 is substituted for memory address bit 13 during active display time

1 = Memory address bit 13 appears on the memory address output bit 13 signal of the CRT controller

This bit allows memory mapping compatibility with the IBM CGA graphics mode.

Bit 1 $\overline{4BK}$ HGC - Select Bank 4 Mode for HGA Emulation

0 = Row scan counter bit 1 is substituted for memory address bit 14 during active display time

1 = Memory address bit 14 appears on the memory address output bit 14 signal of the CRT controller

The combination of this bit and bit 0 of this register allows compatibility with Hercules HGC graphics memory mapping.

Bit 2 VT X2 - Select Vertical Total Double Mode

0 = Horizontal retrace clock selected

1 = Horizontal retrace clock divided by two selected

This bit selects horizontal retrace clock or horizontal retrace clock divided by two as the clock that controls the vertical timing counter. If the vertical retrace counter is clocked with the horizontal retrace clock divided by 2, then the vertical resolution is double.

Bit 3 CNT BY2 - Select Word Mode

0 = Memory address counter is clocked with the character clock input, and byte mode addressing for the video memory is selected

1 = Memory address counter is clocked by the character clock input divided by 2, and word mode addressing for the video memory is selected

Bit 4 Reserved = 0



Bit 5 \overline{ADW} 16K - Address Wrap

- 0 = When word mode is selected by bit 6 of this register, memory address counter bit 13 appears on the memory address output bit 0 signal of the CRT controller and the video memory address wraps around at 16 KBytes
- 1 = When word mode is selected by bit 6 of this register, memory address counter bit 15 appears on the memory address output bit 0 signal of the CRT controller

This bit is useful in implementing IBM CGA mode.

Bit 6 BYTE MODE - Select Byte Addressing Mode

- 0 = Word mode shifts all memory address counter bits down one bit, and the most significant bit of the counter appears on the least significant bit of the memory address output
- 1 = Byte address mode

Bit 7 \overline{RST} - Hardware Reset

- 0 = Vertical and horizontal retrace pulses cleared (always 0)
- 1 = Vertical and horizontal retrace pulses enabled

This bit does not reset any other registers or outputs.

Line Compare Register (LCM) (CR18)

Read/Write Address: 375H, Index 18H

Power-On Default: Undefined

This register is used to implement a split screen function. When the scan line counter value is equal to the content of this register, the memory address counter is cleared to 0. The linear address counter then sequentially addresses the display buffer starting at address 0. Each subsequent row address is determined by the addition of the Offset (CR13) register content. Bit 8 is bit 4 of CR7. Bit 9 is bit 6 of CR9. Bit 10 is bit 6 of CR5E.

7	6	5	4	3	2	1	0
LINE COMPARE POSITION							

Bit 7-0 LINE COMPARE POSITION

11-bit Value = number of scan lines at which the screen is split into screen A and screen B. This register contains the least significant 8 bits of this value.



CPU Latch Data Register (GCCL) (CR22)

Read Only Address: 375H, Index 22H
Power-On Default: Undefined

This register is used to read the CPU latch in the Graphics Controller.

7	6	5	4	3	2	1	0
GRAPHICS CONTROLLER CPU LATCH - N							

Bits 7-0 GRAPHICS CONTROLLER CPU LATCH - N
Bits 1-0 of GR4 select the latch number N (3-0) of the CPU Latch.

Attribute Index Register (ATC_F/I) (CR24)

Read Only Address: 375H, Index 24H, 26H
Power-On Default: Undefined

This register is used to read the value of the Attribute Controller Index register and its associated internal address flip-flop (AFF).

7	6	5	4	3	2	1	0
AFF	= 0	ENV	ATTRIBUTE CONTROLLER INDEX				

Bits 4-0 ATTRIBUTE CONTROLLER INDEX
This value is the Attribute Controller Index Data at I/O port 3C0H.

Bit 5 ENV- Enable Video Display
This is the setting of bit 5 of 3C0H, indicating video display enabled status (1 = enabled).

Bit 6 Reserved = 0

Bit 7 $\overline{\text{AFF}}$
Inverted Internal Address flip-flop



14.4 GRAPHICS CONTROLLER REGISTERS

The graphics controller registers are located at a two byte I/O address space. These registers are accessed by first writing an index to the Graphics Address register (at 3CEH) and then accessing the Data register (at 3CFH).

Graphics Controller Index Register (GRC_ADR)

Read/Write Address: 3CEH
Power-On Default: Undefined

This register is loaded with a binary index value that determines which graphics controller register will be accessed. This value is referred to as the "Index Number" of the GR register (GR0-6).

7	6	5	4	3	2	1	0
= 0	= 0	= 0	= 0	GR CONT ADDRESS			

Bits 3-0 GR CONT ADDRESS - Graphics Controller Register Index
A binary value indexing the register where data is to be accessed.

Bits 7-4 Reserved = 0

Graphics Controller Data Register (GRC_DATA)

Read/Write Address: 3CFH
Power-On Default: Undefined

This register is the data port for the graphics controller register indexed by the Graphics Controller Index register.

7	6	5	4	3	2	1	0
GRAPHICS CONTROLLER DATA							

Bit 7-0 GRAPHICS CONTROLLER DATA
Data to the Graphics Controller register indexed by the graphics controller address.



Set/Reset Data Register (SET/RST_DT) (GR0)

Read/Write Address: 3CFH, Index 00H
Power-On Default: Undefined

This register represents the value written to all 8 bits of the respective memory plane when the CPU executes a memory write in write modes 0 and 3.

7	6	5	4	3	2	1	0
= 0	= 0	= 0	= 0	SET/RESET DATA			

Bits 3-0 SET/RESET DATA

These bits become the color value for CPU memory write operations. In write mode 0, the set/reset data can be enabled on the corresponding bit of the Enable Set/Reset Data register. In write mode 3, there is no effect on the Enable Set/Reset Data register.

Bits 7-4 Reserved = 0

Enable Set/Reset Data Register (EN_S/R_DT) (GR1)

Read/Write Address: 3CFH, Index 01H
Power-On Default: Undefined

These bits enable the set/reset data, and affect write mode 0.

7	6	5	4	3	2	1	0
= 0	= 0	= 0	= 0	ENB SET/RST DATA			

Bits 3-0 ENB SET/RST DATA

When each bit is a logical 1, the respective memory plane is written with the value of the Set/Reset Data register. A logical 0 disables the set/reset data in a plane, and that plane is written with the value of CPU write data.

Bits 7-4 Reserved = 0



Color Compare Register (COLOR-CMP) (GR2)

Read/Write Address: 3CFH, Index 02H
Power-On Default: Undefined

These bits represent a 4-bit color value to be compared. In read mode 1, the CPU executes a memory read, the read data is compared with this value and returns the results. This register works in conjunction with the Color Don't Care register.

7	6	5	4	3	2	1	0
= 0	= 0	= 0	= 0	COLOR COMPARE DATA			

Bits 3-0 COLOR COMPARE DATA

This value becomes the reference color used to compare each pixel. Each of the 8-bit positions of the read data are compared across four planes and a logical 1 is returned in each bit position for which the colors match.

Bits 7-4 Reserved = 0

Raster Operation/Rotate Count Register (WT_ROP/RTC) (GR3)

Read/Write Address: 3CFH, Index 03H
Power-On Default: Undefined

This register selects a raster operation function and indicates the number of bits the CPU data will be rotated (right) on the video memory write operation.

7	6	5	4	3	2	1	0
= 0	= 0	= 0	RST-OP 1	0	ROTATE-COUNT		

Bits 2-0 ROTATE-COUNT

These bits define a binary encoded value of the number of positions to right-rotate data during a CPU memory write. To write non-rotated data, the CPU must preset a count of 0.



Bits 4-3 RST-OP - Select Raster Operation

The data written to memory can operate logically with the data already in the processor latches. This function is not available in write mode 1. The logical functions are defined as follows:

- 00 = No operation
- 01 = Logical AND with latched data
- 10 = Logical OR with latched data
- 11 = Logical XOR with latched data

The logical function specified by this register is applied to data being written to memory while in modes 0, 2 and 3.

Bits 7-5 Reserved = 0

Read Plane Select Register (RD_PL_SL) (GR4)

Read/Write Address: 3CFH, Index 04H

Power-On Default: Undefined

7	6	5	4	3	2	1	0
= 0	= 0	= 0	= 0	= 0	= 0	RD-PL-SL 1	0

The contents of this register represent the memory plane from which the CPU reads data in read mode 0. This register has no effect on the color compare read mode (read mode 1). In odd/even mode, bit 0 is ignored. Four memory planes are selected as follows:

Bits 1-0 RD-PL-SL - Read Plane Select

The memory plane is selected as follows:

- 00 = Plane 0
- 01 = Plane 1
- 10 = Plane 2
- 11 = Plane 3

Bits 7-2 Reserved = 0



Graphics Controller Mode Register (GRP_MODE) (GR5)

Read/Write Address: 3CFH, Index 05H
Power-On Default: Undefined

7	6	5	4	3	2	1	0
= 0	SHF-MODE 256	O/E O/E	O/E MAP	RD CMP	= 0	WRT-MD 1	0

This register controls the mode of the Graphics Controller as follows:

Bit 1-0 WRT-MD - Select Write Mode

These bits select the CPU write mode into video memory. The function of each mode is defined as follows:

- 00 = Write Mode 0. Each of four video memory planes is written with the CPU data rotated by the number of counts in the rotate register. If the Set/Reset register is enabled for any of four planes, the corresponding plane is written with the data stored in the set/reset register. Raster operations and bit mask registers are effective
- 01 = Write Mode 1. Each of four video memory planes is written with the data in the processor latches. These latches are loaded during previous CPU read operations. Raster operation, rotate count, set/reset data, enable set/reset data and bit mask registers are not effective
- 10 = Write Mode 2. Memory planes 0-3 are filled with 8 bits of the value of CPU write data bits 0-3, respectively. For example, if write data bit 0 is a 1, eight 1's are written to memory plane 0. The data on the CPU data bus is treated as the color value. The Bit Mask register is effective as the Mask register. A logical 1 in the Bit Mask register sets the corresponding pixel in the addressed byte to the color specified on the data bus. A logical 0 in the Bit Mask register sets the corresponding pixel in the addressed byte to the corresponding pixel in the processor latches. The Set/Reset, Enable Set/Reset and Rotate Count registers are ignored
- 11 = Write Mode 3. Each of four video memory planes is written with 8 bits of the color value contained in the set/reset register for that plane. The Enable Set/Reset register is not effective. Rotated CPU write data is ANDed with the bit mask register to form an 8-bit value that performs the same function as the Bit Mask register in write modes 0 and 2. This write mode can be used to fill an area with a single color and pattern

Bit 2 Reserved = 0

Bit 3 RD CMP - Enable Read Compare

- 0 = The CPU reads data from the video memory planes. The plane is selected by the Read Plane Select register. This is called read mode 0
- 1 = The CPU reads the results of the logical comparison between the data in four video memory planes selected by the contents of the Color Don't Care register and the contents of the Color Compare register. The result is a 1 for a match and 0 for a mismatch on each pixel. This is called read mode 1



- Bit 4** O/E MAP - Select Odd/Even Addressing
 0 = Standard addressing.
 1 = Odd/even addressing mode selected. Even CPU addresses access plane 0 and 2, while odd CPU addresses access plane 1 and 3. This option is useful for emulating the CGA compatible mode. The value of this bit should be the inverted value programmed in bit 2 of the Sequencer Memory Mode register (SR4). This bit affects reading of display memory by the CPU
- Bit 5** SHF-MODE - Select Odd/Even Shift Mode
 0 = Normal shift mode
 1 = The video shift registers in the graphics section are directed to format the serial data stream with even-numbered bits from both planes on the even-numbered planes and odd-numbered bits from both planes on the odd planes
- Bit 6** SHF-MODE - Select 256 Color Shift Mode
 0 = Bit 5 in this register controls operation of the video shift registers
 1 = The shift registers are loaded in a manner that supports the 256 color mode
- Bit 7** Reserved = 0

Memory Map Mode Control Register (MISC_GM) (GR6)

Read/Write Address: 3CFH, Index 06H
Power-On Default: Undefined

This register controls the video memory addressing.

7	6	5	4	3	2	1	0
= 0	= 0	= 0	= 0	MEM-MAP 1	0	CHN O/E	TXT /GR

- Bit 0** $\overline{\text{TXT}}/\text{GR}$ - Select Text/Graphics Mode
 0 = Text mode display addressing selected
 1 = Graphics mode display addressing selected. When set to graphics mode, the character generator address latches are disabled
- Bit 1** CHN O/E - Chain Odd/Even Planes
 0 = A0 address bit unchanged
 1 = CPU address bit A0 is replaced by a higher order address bit. The content of A0 determines which memory plane is to be addressed. A0 = 0 selects planes 0 and 2, and A0 = 1 selects planes 1 and 3. This mode can be used to double the address space into video memory



Bits 3–2 MEM-MAP - Memory Map Mode

These bits control the address mapping of video memory into the CPU address space. The bit functions are defined below.

00 = A0000H to BFFFFH (128 KBytes)

01 = A0000H to AFFFFH (64 KBytes)

10 = B0000H to B7FFFH (32 KBytes)

11 = B8000H to BFFFFH (32 KBytes)

Bits 7–4 Reserved = 0

Color Don't Care Register (CMP_DNTC) (GR7)

Read/Write Address: 3CFH, Index 07H

Power-On Default: Undefined

This register is effective in read mode 1, and controls whether the corresponding bit of the Color Compare Register is to be ignored or used for color comparison.

7	6	5	4	3	2	1	0
= 0	= 0	= 0	= 0	COMPARE PLANE SEL			

Bits 3–0 COMPARE PLANE SEL - Compare Plane Select

0 = The corresponding color plane becomes a don't care plane when the CPU read from the video memory is performed in read mode 1

1 = The corresponding color plane is used for color comparison with the data in the Color Compare register

Bits 7–4 Reserved = 0

Bit Mask Register (BIT_MASK) (GR8)

Read/Write Address: 3CFH, Index 08H

Power-On Default: Undefined

Any bit programmed to 0 in this register will cause the corresponding bit in each of four memory planes to be immune to change. The data written into memory in this case is the data which was read in the previous cycle, and was stored in the processor latches. Any bit programmed to 1 allows unimpeded writes to the corresponding bits in the plane.

7	6	5	4	3	2	1	0
BIT MASK							

Bits 7–0 BIT MASK

A logical 0 means the corresponding bit of each plane in memory is set to the corresponding bit in the processor latches. A logical 1 means the corresponding bit of each plane in memory is set as specified by other conditions.



14.5 ATTRIBUTE CONTROLLER REGISTERS

The attribute controller registers are located at the same byte I/O address for writing address and data. An internal address flip-flop (AFF) controls the selection of either the attribute index or data registers. To initialize the address flip-flop (AFF), an I/O read is issued at address 3BAH or 3DAH. This presets the address flip-flop to select the index register. After the index register has been loaded by an I/O write to address 3C0H, AFF toggles and the next I/O write loads the data register. Every I/O write to address 3C0H toggles this address flip-flop. However, it does not toggle for I/O reads at address 3C0H or 3C1H. The Attribute Controller Index register is read at 3C0H, and the Attribute Controller Data register is read at address 3C1H.

Attribute Controller Index Register (ATR_AD)

Read/Write Address: 3C0H
Power-On Default: Undefined

This register is loaded with a binary index value that determines which attribute controller register will be accessed. This value is referred to as the "Index Number" of the AR register (AR0-14).

7	6	5	4	3	2	1	0
R	R	ENB PLT	ATTRIBUTE ADDRESS				

Bits 4-0 ATTRIBUTE ADDRESS

A binary value that points to the attribute controller register where data is to be written.

Bit 5 ENB PLT - Enable Video Display

0 = Video display access to the palette registers disabled. The Attribute Controller register can be accessed by the CPU

1 = Display video using the palette registers enabled (normal display operation). The palette registers (AR0-ARF) cannot be accessed by the CPU

Bits 7-6 Reserved



Attribute Controller Data Register (ATR_DATA)

Read/Write Address: R: 3C1H/W: 3C0H
Power-On Default: Undefined

This register is the data port for the attribute controller register indexed by the Attribute Controller Index register.

7	6	5	4	3	2	1	0
ATTRIBUTE DATA							

Bits 7-0 ATTRIBUTE DATA
Data to the attribute controller register indexed by the attribute controller address.

Palette Registers (PLT_REG) (AR00-0F)

Read/Write Address: 3C1H/3C0H, Index 00H-0FH
Power-On Default: Undefined

These are 16, 6-bit registers pointed to by the index and color code. They allow a dynamic mapping between the text attribute or graphics color input and the display color on the CRT screen.

7	6	5	4	3	2	1	0
= 0	= 0	SECONDARY SR SG SB			PRIMARY R G B		

Bits 5-0 PALETTE COLOR
The six bit display color, bits 5-0 are output as SR, SG/I, SB/V, R, G and B, respectively.

Bits 7-6 Reserved = 0

**Attribute Mode Control Register (ATR_MODE) (AR10)**

Read/Write Address: 3C1H/3C0H, Index 10H

Power-On Default: 00H

The contents of this register controls the attribute mode of the display function.

7	6	5	4	3	2	1	0
SEL V54	256 CLR	TOP PAN	= 0	ENB BLNK	ENB LGC	MONO ATRB	TX/GR

Bit 0 $\overline{\text{TX/GR}}$ - Select Graphics Mode

0 = Selects text attribute control mode

1 = Selects graphics control mode

Bit 1 MONO ATRB - Select Monochrome Attributes

0 = Selects color display text attributes

1 = Selects monochrome display text attributes

Bit 2 ENB LGC - Enable Line Graphics

0 = The ninth dot of a text character (bit 0 of SR1 = 0) is the same as the background

1 = Special line graphics character codes enabled

When this bit is set to 1, it forces the ninth dot of a line graphics character to be identical to the eighth dot of the character. The line graphics character codes are C0H through DFH. For other characters, the ninth dot is the same as the background.

Bit 3 ENB BLNK - Enable Blinking

0 = Selects the background intensity for the text attribute input

1 = Selects blink attribute in text modes

This bit must also be set to 1 for blinking graphics modes. The blinking counter is operated by the vertical retrace counter (VRTC) input. It divides the VRTC input by 32. The blinking rates are ON for 16 VRTC clocks and OFF for 16 VRTC clocks. In the graphics mode, when blink is activated, the most significant color bit (bit 3) for each dot is inverted alternately, thus allowing two different colors to be displayed for 16 VRTC clocks each.

When the cursor is displayed in the text mode, it is blinked at a rate of ON for 8 VRTC clocks and OFF for 8 VRTC clocks (period by 16 frames). The displayed characters are independently blinked at the rate of 32 frames as above.

Bit 4 Reserved = 0**Bit 5** TOP PAN - Top Panning Enable

0 = Line compare has no effect on the output of the pixel panning register

1 = Forces the output of the pixel panning register to 0 after matching line compare until VSYNC occurs in the CRT controller. At the top of screen the output of the Pixel Panning register returns to its programmed value. This bit allows a top portion of a split screen to be panned.



Bit 6 256 CLR - Select 256 Color Mode

0 = 4 bits of video (translated to 6 bits by the palette) are output every internal dot-clock cycle

1 = Two 4-bit sets of video data are assembled to generate 8-bit video data at half the frequency of the internal dot-clock

Bit 7 SEL V54 - Select V[5:4]

0 = In VGA, mode, bits 5-4 of video output are generated by the attribute palette registers. Bits 7-6 of video output are always generated by bits 3-2 of AR14

1 = Bits 5-4 of video output are generated by bits 1-0 of AR14

Border Color Register (BDR_CLR) (AR11)

Read/Write Address: 3C1H/3C0H, Index 11H

Power-On Default: 00H

7	6	5	4	3	2	1	0
BORDER COLOR							

Bits 7-0 Border Color. This 8-bit register determines the border color displayed on the CRT screen. The border is an area around the screen display area.

Color Plane Enable Register (DISP_PLN) (AR12)

Read/Write Address: 3C1H/3C0H, Index 12H

Power-On Default: 00H

This register enables the respective video memory color plane 3-0 and selects video color outputs to be read back in the display status.

7	6	5	4	3	2	1	0
= 0	= 0	VDT-SEL		DISPLAY PLANE ENBL			
		1	0				

Bits 3-0 DISPLAY PLANE ENBL

A 0 in any of these bits forces the corresponding color plane bit to 0 before accessing the internal palette. A 1 in any of these bits enables the data on the corresponding color plane.



Bits 5-4 VDT-SEL - Video Test Select

These bits select two of the eight bit color outputs to be available in the Input Status 1 register. The output color combinations available on the status bits are as follows:

D STS MUX		STS 1	
Bit 5	Bit 4	Bit 5	Bit 4
0	0	Video 2	Video 0
0	1	Video 5	Video 4
1	0	Video 3	Video 1
1	1	Video 7	Video 6

Bits 7-6 Reserved = 0

Horizontal Pixel Panning Register (H_PX_PAN) (AR13)

Read/Write Address: 3C1H/3C0H, Index 13H
Power-On Default: 00H

This register specifies the number of pixels to shift the display data horizontally to the left. Pixel panning is available in both text and graphics modes.

7	6	5	4	3	2	1	0
= 0	= 0	= 0	= 0	NUMBER OF PAN SHIFT			

Bits 3-0 NUMBER OF PAN SHIFT

This register selects the number of pixels to shift the display data horizontally to the left. In the 9 pixels/character text mode, the output can be shifted a maximum shift of 8 pixels. In the 8 pixels/character text mode and all graphics modes, except 256 color mode, a maximum shift of 7 pixels is possible. In the 256 color mode, bit 0 of this register must be 0 resulting in only 4 panning positions per display byte. The panning is controlled as follows:

Bits 3-0	Number of pixels shifted in		
	9 pixel/char.	8 pixel/char.	256 color mode
0000	1	0	0
0001	2	1	-
0010	3	2	1
0011	4	3	-
0100	5	4	2
0101	6	5	-
0110	7	6	3
0111	8	7	-
1000	0	-	-

Bits 7-4 Reserved = 0



Pixel Padding Register (PX_PADD) (AR14)

Read/Write Address: 3C1H/3C0H, Index 14H
Power-On Default: 00H

This register specifies the high-order bits of video output when pixel padding is enabled and disabled in the 256 color mode.

7	6	5	4	3	2	1	0
= 0	= 0	= 0	= 0	PIXEL PADDING			
				V7	V6	V5	V4

Bits 1-0 PIXEL PADDING V5, V4

These bits are enabled with a logical 1 of bit 7 of AR10, and can be used in place of the V5 and V4 bits from the Palette registers to form the 8-bit digital color value output.

Bits 3-2 PIXEL PADDING V7, V6

In all modes except 256 color mode, these bits are the two high-order bits of the 8-bit digital color value output.

Bits 7-4 Reserved = 0



14.6 SETUP REGISTERS

This section describes the Video Subsystem Setup registers on the system board.

The I/O functions of the system board use POS information during the setup procedure. The I/O controllers on the system board are treated as a single device. Although the VGA is a part of the system board, POS treats it as a separate device. The Setup Enable register is used to place the system board or the Video Subsystem into setup. The Setup Enable register is read/write at I/O address 46E8H. The bit definitions are provided below.

Setup Option Select Register (SETUP_MD)

Read/Write Address: 102H

Power-On Default: 00H

7	6	5	4	3	2	1	0
R	R	R	R	R	R	R	SLP MODE

Bit 0 SLP MODE- Disable Sleep Mode

When in setup mode (I/O address 46E8H, bit 4 =1, the Vision864 responds to a single option select byte at I/O address 102H and treats this bit as the Video Subsystem sleep bit.

0 = Vision864 does not respond to commands, addresses, or data on the data bus. If the Vision864 was set up and is generating video output when this bit is cleared to 0, the output is still generated

1 = Vision864 responds to commands, addresses, or data on the data bus

The Vision864 responds only to address 102H when in the setup mode. No other addresses are valid at that time. The Vision864 ignores address 102H when in the enabled mode (I/O address 46E8H, bit 4 = 0, and decodes normal I/O and memory addresses.

If bit 2 of CR65 is set to 1, 3C3H is the address used for setup instead of 46E8H.

Bit 7-1 Reserved



Video Subsystem Enable Register (SETUP_MD)

Write Only

Address: 46E8H

Power-On Default: 00H

7	6	5	4	3	2	1	0
R	R	R	EN SUP	AD DEC	R	R	R

Bits 2-0 Reserved

Bit 3 AD DEC - Vision864 Address Decoding
 0 = Video I/O and memory address decoding are disabled
 1 = Video I/O and memory address decoders are enabled

Bit 4 EN SUP - Enable Vision864 Setup
 0 = The Vision864 is in operational mode
 1 = The Vision864 is placed in setup mode

If bit 2 of CR65 is set to 1, 3C3H is the address used for setup instead of 46E8H.

Bits 7-5 Reserved



14.7 RAMDAC REGISTERS

Of all the RAMDAC registers described in this section, only the DAC Status Register (3C7H, Read Only) is physically located inside the Vision864. The others are located in the RAMDAC. The Vision864 decodes these addresses for RAMDAC data byte steering.

DAC Mask Register (DAC_AD_MK)

Read/Write Address: 3C6H
Power-On Default: Undefined

This register is the pixel read mask register to select pixel video output. The CPU can access this register at any time. An access to this register causes 10b to be driven to the RS[1:0] outputs to the RAMDAC.

7	6	5	4	3	2	1	0
DAC ADDRESS MASK							

Bits 7-0 DAC ADDRESS MASK

The contents of this register are bit-wise logically ANDed with the pixel select video output (PA[7:0]). This register is initialized to FFH by the BIOS during a video mode set.

DAC Read Index Register (DAC_RD_AD)

Write Only Address: 3C7H
Power-On Default: Undefined

This register contains the pointer to one of 256 palette data registers and is used when reading the color palette. A write to this register causes 11b to be driven to the RS[1:0] outputs to the RAMDAC.

7	6	5	4	3	2	1	0
DAC READ ADDRESS							

Bits 7-0 DAC READ ADDRESS

Each time the color code is written to this register, it identifies that a read sequence will occur. A read sequence consists of three successive byte reads from the RAMDAC data register at I/O address 3C9H. The order is red byte first, then green, and finally blue. The sequence of events for a read cycle is:

1. Write the color code to this register (RAMDAC Read Index) at address 3C7H.
2. The contents of the location in the color look-up table pointed to by the color code are transferred to the RAMDAC data register at address 3C9H.
3. Three bytes are read back from the RAMDAC data register.
4. The contents of this register auto-increment by one.
5. Go to step 2.



The effects of writing to the RAMDAC data register during a three-byte read cycle or reading from the RAMDAC data register during a 3-byte write cycle (i.e., interrupting the sequence) are undefined and may change the look-up table contents.

DAC Status Register (DAC_STS)

Read Only Address: 3C7H
Power-On Default: Undefined

A read of this register causes 11b to be driven to the RS[1:0] outputs to the RAMDAC.

7	6	5	4	3	2	1	0
= 0	= 0	= 0	= 0	= 0	= 0	DAC-STS	

Bits 1-0 DAC-STS - RAMDAC Cycle Status
The last executing cycle was:
00 = Write Palette cycle
11 = Read Palette cycle

Reads from the RAMDAC Write Index at address 3C8H or the DAC status register at address 3C7H do not interfere with read or write cycles and may take place at any time.

Bits 7-2 Reserved = 0

DAC Write Index Register (DAC_WR_AD)

Read/Write Address: 3C8H
Power-On Default: Undefined

An access to this register causes 00b to be driven to the RS[1:0] outputs to the RAMDAC.

7	6	5	4	3	2	1	0
DAC WRITE ADDRESS/GIP READ DATA							

Bits 7-0 DAC WRITE ADDRESS/GIP READ DATA
This register contains the pointer to one of 256 palette data registers and is used during a palette load. Each time the color code is written to this register, it identifies that a write sequence will occur. A write sequence consists of three successive byte writes to the DAC data register at I/O address 3C9H. For 18-bit DACs, the least significant 6 bits of each byte are concatenated to form the value placed in the 18-bit data register. The order is red byte first, then green, and finally blue. Once the third byte has been written, the value in the data register is written to the location pointed to by the color code. The sequence of events for a write cycle is:



1. Write the color code to this register (DAC Write Index) at address 3C8H.
2. Three bytes are written to the DAC Data register at address 3C9H.
3. The contents of the DAC data register are transferred to the location in the color look-up table pointed to by the color code.
4. The DAC Write Index register auto-increments by 1.
5. Go to step 2.

If bit 2 of the Extended RAMDAC Control register (CR55) is set to 1 to enable the General I/O Port read function, a read of 3C8H retrieves data from an external input buffer.

RAMDAC Data Register (DAC_DATA)

Read/Write Address: 3C9H
 Power-On Default: Undefined

This register is a data port to read or write the contents of the location in the color look-up table pointed to by the DAC Read Index or the DAC Write Index registers. An access to this register causes 01b to be driven to the RS[1:0] outputs to the RAMDAC.

7	6	5	4	3	2	1	0
DAC READ/WRITE DATA							

Bits 7-0 DAC READ/WRITE DATA

To prevent "snow flicker" on the screen, an application reading data from or writing data to the DAC Data register should ensure that the BLANK input to the RAMDAC is asserted. This can be accomplished either by restricting data transfers to retrace intervals, checking the Input Status 1 register to determine when retrace is occurring, or by using the screen-off bit in the Clocking Mode register of the sequencer.



Section 15: S3 VGA Register Descriptions

The Vision864 has additional registers to extend the functions of basic VGA. These registers are located in CRT Controller address space at locations not used by IBM. All of these registers are read/write protected at power-up by hardware reset. In order to read/write these registers, the Register Lock 1 register (CR38) must be loaded with a changed key pattern (see the register description). The registers will remain unlocked until the key pattern is reset by altering a significant bit.

In the following register descriptions, 'R' stands for reserved (write =0, read = undefined). See Appendix A for a table listing each register in this section and its page number.

Chip ID/REV Register (CHIP_ID/REV) (CR30)

Read Only Address: 375H, Index 30H
Power-On Default: CxH (x will change with the stepping)

7	6	5	4	3	2	1	0
CHIP ID				REVISION STATUS			

Bits 7-0 CHIP ID AND REVISION STATUS

Memory Configuration Register (MEM_CNFG) (CR31)

Read/Write Address: 375H, Index 31H
Power-On Default: 00H

7	6	5	4	3	2	1	0
R	HST DFF	OLD-DSAD 17 16	ENH MAP	VGA 16B	SCRN 2.PG	CPUA BASE	

Bit 0 CPUA BASE - Enable Base Address Offset

0 = Address offset bits 3-0 of CR35 and bits 3-2 of CR51 or the new address offset bits (5-0 of CR6A) are disabled

1 = Address offset bits 3-0 CR35 and bits 3-2 of CR51 or the new address offset bits (5-0 of CR6A) are enabled for specifying the 64K page of display memory. This allows access to up to 4 MBytes of display memory through a 64K window.



Bit 1 SCR N 2.PG - Enable Two-Page Screen Image
 0 = Normal Mode
 1 = Enable 2K x 1K x 4 map image screen for 1024 x 768 or 800 x 600 screen resolution, or 2K x 512 x 8 map image screen for 640 x 480 screen resolution

Bit 2 VGA 16B - Enable VGA 16-bit Memory Bus Width
 0 = 8-bit memory bus operation
 1 = Enable 16-bit bus VGA memory read/writes

Bit 3 ENH MAP - Use Enhanced Mode Memory Mapping
 0 = Force IBM VGA mapping for memory accesses
 1 = Force Enhanced Mode mappings

Setting this bit to 1 overrides the settings of bit 6 of CR14 and bit 3 of CR17 and causes the use of doubleword memory addressing mode.

Bits 5-4 OLD-DSAD 17, 16 - Old Display Start Address Bits 17-16
 Bits 17-16 of start address (CRC, CRD) and cursor location (CRE, CRF)

Bits 1-0 of the Extended System Control 2 register (CR51) are bits 19-18 of the address and enable access to up to 4 MBytes of display memory. If a value is programmed into bits 3-0 of the Extended System Control 3 register (CR69), this value becomes the upper 4 bits of the display start base address and bits 5-4 of CR31 and bits 1-0 of CR51 are ignored.

Bit 6 HST DFF - Enable High Speed Text Display Font Fetch Mode
 0 = Normal font access mode
 1 = Enable high speed text display

Setting this bit to 1 is only required for DCLK rates greater than 40 MHz.

Bit 7 Reserved

Backward Compatibility 1 Register (BKWD_1) (CR32)

Read/Write Address: 375H, Index 32H
 Power-On Default: 00H

7	6	5	4	3	2	1	0
R	VGA FXPG	(R)	ENB VIRQ	BKWD MODE	FCHI CHCK	CH-CLK 1 0	

Bits 1-0 CH-CLK - Set Character Clock Period
 00 = Same as IBM VGA (8 or 9 dot clocks, as set via bit 0 of SR1)
 01 = 7 dots (overrides setting of 00)
 10 = 9 dots (overrides setting of 00)
 11 = Reserved

This is used only for non-standard modes (not VGA or backwards compatible).



Bit 2 FCHI CHCK - Force Character Clock High
 0 = Normal character clock
 1 = Force character clock of horizontal timing to high rate (not 1/2 dot clock rate) for CGA and HGC emulations

Bit 3 BKWD MODE - Enable Backward Compatibility Modes
 0 = VGA
 1 = All other backward compatibility modes

Bits 5-4 Reserved

Bit 6 VGA FXPG - Use Standard VGA Memory Wrapping
 0 = Memory accesses extending past a 256K boundary do not wrap
 1 = Memory accesses extending past a 256K boundary wrap at the boundary

The standard 256K VGA memory page always ends on a natural 256K boundary and accesses beyond this boundary will wrap. If the starting address is moved via bits 4-0 of CR69 (or bits 5-4 of CR31 and bits 1-0 of CR51), the 256K page may not end on a 256K boundary and accesses past the boundary will not wrap. This is the case when this bit is cleared to 0. For standard VGA compatibility when the page base address is moved, this bit is set to 1 to cause wrapping at a 256K boundary.

Bit 7 Reserved

Backward Compatibility 2 Register (BKWD_2) (CR33)

Read/Write Address: 375H, Index 33H
 Power-On Default: 00H

7	6	5	4	3	2	1	0
DISA FLKR	LOCK PLTW	BDR SEL	LOCK DACW	VCLK= -DCK	R	DIS VDE	R

Bit 0 Reserved

Bit 1 DIS VDE - Disable Vertical Display End Extension Bits Write Protection
 0 = VDE protection enabled
 1 = Disables the write protect setting of the bit 7 of CR11 on bits 1 and 6 of CR7

Bit 2 Reserved

Bit 3 VCLK = -DCK - VCLK is Inverted DCLK
 0 = VCLK is the inverted internal dot clock (see bit 3 of SR1)
 1 = VCLK is the inverted DCLK

Bit 4 LOCK DACW - Lock RAMDAC Writes
 0 = Enable writes to RAMDAC registers
 1 = Disable writes to RAMDAC registers



- Bit 5** BDR SEL - Blank/Border Select
 0 = BLANK active time is defined by CR2 and CR3
 1 = BLANK is active during entire display inactive period (no border)
- Bit 6** LOCK PLTW - Lock Palette/Border Color Registers
 0 = Unlock Palette/Border Color registers
 1 = Lock Palette/Border Color registers
- Bit 7** DISA FLKR - Remove Flicker
 0 = No effect
 1 = Overrides the 3D8H video enable (bit 3). This eliminates flicker (CGA snow)

Backward Compatibility 3 Register (BKWD_3) (CR34)

Read/Write Address: 375H, Index 34H
 Power-On Default: 00H

7	6	5	4	3	2	1	0
LOCK CKSL	R	LOCK 8/9D	ENB SFF	R	R	R	R

Bits 3-0 Reserved

- Bit 4** ENB SFF - Enable Start Display FIFO Fetch Register
 0 = Start Display FIFO Fetch register (CR3B) disabled
 1 = Start Display FIFO Fetch register (CR3B) enabled
- Bit 5** LOCK 8/9D - Lock 8/9 Dots
 0 = Bit 0 of the Clocking Mode register (SR1) is unlocked
 1 = Bit 0 of the Clocking Mode register (SR1) is locked

When emulating EGA hardware, horizontal timing registers are programmed for an 8 dot character clock period (via bit 0 of SR1) and these registers are locked. This prevents EGA software from modifying this bit. Writes to bits 1-0 of CR32 override this register setting.

Bit 6 Reserved

- Bit 7** LOCK CKSL - Lock Clock Select
 0 = Bits 3-2 of the Miscellaneous Output register (3C2H) are unlocked
 1 = Bits 3-2 of the Miscellaneous Output register (3C2H) are locked. This locks the DCLK frequency to a fixed value in VGA and backwards compatibility modes. If 11b is programmed in bits 3-2 of 3C2H, the DCLK frequency can still be changed via bits 3-0 of CR42.



CRT Register Lock Register (CRTR_LOCK) (CR35)

Read/Write Address: 375H, Index 35H
Power-On Default: 00H

7	6	5	4	3	2	1	0
R	R	LOCK HTMG	LOCK VTMG	OLD-CPU-BASE-ADDRESS			
				17	16	15	14

Bits 3-0 OLD-CPU-BASE-ADDRESS

CPU Base Address bits 17-14. These four bits define the CPU address base in 64 KByte units of display memory. These bits are added with CPU address bit 17 (MSB of video memory addressing) to bit 14 for display buffer accesses.

Bits 3-2 of the Extended System Control 2 register (CR51) are bits 19-18 of the address and enable access to up to 4 MBytes of display memory. If a value is programmed into bits 5-0 of the Extended System Control 4 register (CR6A), this value becomes the upper 6 bits of the CPU base address and bits 3-0 of CR35 and bits 3-2 of CR51 are ignored.

Bit 4 LOCK VTMG - Lock Vertical Timing Registers

- 0 = Vertical timing registers are unlocked
- 1 = The following vertical timing registers are locked:

- CR6
- CR7 (bits 7,5,3,2,0)
- CR9 (bit 5)
- CR10
- CR11 (bits 3-0)
- CR15
- CR16

CR6, CR7 registers are also locked by bit 7 of the Vertical Retrace End register (CR11).



Bit 5 LOCK HTMG - Lock Horizontal Timing Registers
0 = Horizontal timing registers are unlocked
1 = The following horizontal timing registers are locked:

CR00
CR1
CR2
CR3
CR4
CR5
CR17 (bit 2)

All these registers (except bit 2 of CR17) are also locked by bit 7 of the Vertical Retrace End register (CR11).

Bit 7-6 Reserved

**Configuration 1 Register (CONFIG_REG1) (CR36)**

Read/Write* Address: 375H, Indices 36H

Power-On Default: Depends on Strapping

* Bits 1-0 are read only. The other bits can be written only after 0A5H is written to CR39.

This register samples the reset state from PD bus pins [7:0]. Other configuration strapping bits are found in CR37 and CR68.

PD Bits	CR 36 Bits	Value	Function
System Bus Select			
1-0	1-0	00	Reserved
		01	VESA local bus
		10	PCI local bus
		11	Reserved
Memory Page Mode Select			
3-2	3-2	00	Reserved
		01	Reserved
		10	Extended Data Out (EDO) Mode
		11	Fast Page Mode
Enable Video BIOS Accesses (VL-Bus)			
4	4	0	Disable video BIOS accesses
		1	Enable video BIOS accesses
Display Memory Size			
7-5	7-5	000	4 MBytes
		001	Reserved
		010	3 MBytes
		011	Reserved
		100	2 MBytes
		101	Reserved
		110	1 MByte
		111	Reserved



Configuration 2 Register (CONFIG_REG2) (CR37)

Read/Write* Address: 375H, Indices 37H

Power-On Default: Depends on Strapping

* These bits can be written only after 0A5H is written to CR39.

This register samples the reset state from PD bus pins [15:7]. Other configuration strapping bits are found in CR36 and CR68.

PD Bits	CR37 Bits	Value	Function
Setup Select (VL-Bus)			
8	0	0	Disable Vision864 except for video BIOS accesses
		1	Enable Vision864
Test Mode			
9	1	0	Test mode enabled (most outputs tri-stated)
		1	Test mode disabled (normal operation)
Video BIOS ROM Size (VL-Bus)			
10	2	0	64-KByte video BIOS ROM
		1	32-KByte video BIOS ROM
Dual CAS Select			
11	3	0	Dual \overline{WE} byte select
		1	Dual \overline{CAS} byte select
RAMDAC Write Snooping (VL-Bus)			
12	4	0	Disable $\overline{LOCA/SRDY}$ for RAMDAC writes
		1	Enable $\overline{LOCA/SRDY}$ for RAMDAC writes
Monitor Type Identification			
15-13	7-5		Optional monitor information



Register Lock 1 Register (REG_LOCK1) (CR38)

Read/Write Address: 375H, Index 38
Power-On Default: 00H

Loading 01xx10xx (e.g., 48H) into this register unlocks the S3 VGA register set for read/writes. (x = don't care)

7	6	5	4	3	2	1	0
= 0	= 1			= 1	= 0		

Register Lock 2 Register (REG_LOCK2) (CR39)

Read/Write Address: 375H, Index 39
Power-On Default: 00H

Loading 101xxxxx (e.g., A0H) unlocks the system control and system extension registers for reading/writing (x = don't care). Loading A5H allows bits 7-2 of CR36, bits 7-0 of CR37 and bits 7-0 of CR68 to be written.

7	6	5	4	3	2	1	0
= 1	= 0	= 1					



Miscellaneous 1 Register (MISC_1) (CR3A)

Read/Write Address: 375H, Index 3AH
Power-On Default: 00H

7	6	5	4	3	2	1	0
PCIRB DISA	R	HST DFW	ENH 256	TOP MEM	ENB RFC	REF-CNT 1 0	

Bits 1-0 REF-CNT - Alternate Refresh Count Control

- 00 = Refresh Count 0
- 01 = Refresh Count 1
- 10 = Refresh Count 2
- 11 = Refresh Count 3

If enabled by setting bit 2 of this register to 1, these bits override the refresh count in bit 6 of CR11 and specify the number of refresh cycles per horizontal line.

Bit 2 ENB RFC - Enable Alternate Refresh Count Control

- 0 = Alternate refresh count control (bits 1-0) is disabled
- 1 = Alternate refresh count control (bits 1-0) is enabled

Bit 3 TOP MEM - Enable Top of Memory Access

- 0 = Top of memory access disabled
- 1 = Simultaneous VGA text and Enhanced modes are enabled. CPU and CRTG accesses are then directed to the top 32- or 64-KByte area of display memory depending on whether address bit 13 is 0 or 1 respectively.

Bit 4 ENH 256 - Enable 8 Bits/Pixel or Greater Color Enhanced Mode

- 0 = Attribute controller shift registers configured for 4-bit modes
- 1 = Attribute controller shift register configured for 8-, 16- and 24/32-bit color Enhanced modes

Bit 5 HST DFW - Enable High Speed Text Font Writing

- 0 = Disable high speed text font writing
- 1 = Enable high speed text font writing

Setting this bit to 1 is only required for DCLK rates greater than 40 MHz.

Bit 6 Reserved

Bit 7 PCIRB DISA - PCI Read Bursts Disabled

- 0 = PCI read burst cycles enabled
- 1 = PCI read burst cycles disabled

Note: Bit 7 of CR66 must be set to 1 before this bit is set to 1.



Start Display FIFO Register (DT_EX_POS) (CR3B)

Read/Write Address: 375H, Index 3BH
Power-On Default: 00H

Filling of the display FIFO is stopped at the end of active display for each scan line as defined by the L parameter (bits 2-0 of CR61 and bits 7-0 of CR62). The Start Display FIFO Fetch value specifies the time in character clocks from the start of a scan line until the restart of fetching of display FIFO data for screen refresh. This value must lie in the horizontal blanking period and is typically 5 less than the value programmed in CR0. This parameter helps to ensure that adequate time is available during horizontal blanking for activities such as RAM refresh that require control of the display memory. Bit 9 of this value is bit 6 of CR5D. This register must be enabled by setting bit 4 of CR34 to 1.

7	6	5	4	3	2	1	0
START DISPLAY FIFO FETCH							

Bits 7-0 START DISPLAY FIFO FETCH

9-bit Value = the time in character clocks from the active display start until the restart of fetching of FIFO data after the start of horizontal blanking. This register contains the low-order 8 bits of this value.

Interlace Retrace Start Register (IL_RTSTART) (CR3C)

Read/Write Address: 375H, Index 3CH
Power-On Default: 00H

This value allows determination of the even/odd row active display starting positions when operating in an interlaced mode. This register is enabled by bit 5 of CR42.

7	6	5	4	3	2	1	0
INTERLACE RETRACE START POSITION							

Bits 7-0 INTERLACE RETRACE START POSITION

Value = offset in terms of character clocks for Interlaced mode start/end in even/odd frames.



Section 16: System Control Register Descriptions

System Control registers are configuration registers, mode control registers, and hardware graphics cursor control registers. They are positioned in the same indexed register space as VGA S3 registers. All of these registers are read/write protected at power-up by hardware reset. In order to read/write these registers, the Register Lock 2 register (CR39) must be loaded with a key pattern (see the register description). The registers will remain unlocked until the key pattern is reset by changing a significant bit.

In the following register descriptions, 'R' stands for reserved (write = 0, read = undefined). See Appendix A for a table listing each of the registers in this section and its page number.

System Configuration Register (SYS_CNFG) (CR40)

Read/Write Address: 375H, Index 40H
Power-On Default: 10H

7	6	5	4	3	2	1	0
BUS TNO	WDL	RDY					EN
1 0	DLAY	CTL	R	R	R	R	ENH

Bit 0 EN ENH - Enable Enhanced Register Access
0 = Enhanced register access disabled
1 = Enhanced register (x2E8H) access enabled

Bits 3-1 Reserved

Bits 4 RDY CTL- Ready Control (VL-Bus only)
0 = Minimum 0 wait state delay from \overline{SADS} asserted to assertion of \overline{SRDY} (for writes to the FIFO). Bit 3 of CR58 must be set to 1 for this mode.
1 = Minimum 1 wait state delay from \overline{SADS} asserted to assertion of \overline{SRDY} (for writes to the FIFO)(Default)

Bit 5 WDL DLAY - Write Latching Delay (VL-Bus only)
0 = Latch write data on the first rising SCLK edge after the assertion of \overline{RDYIN} (Default)
1 = Latch write data on the first rising SCLK edge after the assertion of \overline{SRDY}



Bits 7-6 BUS TNO- Bus Turnaround Non-Overlap (VL-Bus only)

00 = \overline{ABEN} - \overline{DBEN} non-overlap delay = 1 unit

01 = \overline{ABEN} - \overline{DBEN} non-overlap delay = 2 units

10 = \overline{ABEN} - \overline{DBEN} non-overlap delay = 3 units

11 = \overline{ABEN} - \overline{DBEN} non-overlap delay = 4 units

These bits control the gap between the deassertion of \overline{ABEN} and the assertion of \overline{DBEN} and vice versa. This action switches the multiplexed AD[31:0] bus function from address to data.

BIOS Flag Register (BIOS_FLAG) (CR41)

Read/Write Address: 375H, Index 41H

Power-On Default: 00H

7	6	5	4	3	2	1	0
BIOS-FLAG-REGISTER-1							

Bits 7-0 BIOS-FLAG-REGISTER-1

Used by the video BIOS. Users should not write to this register.

Mode Control Register (MODE_CTL) (CR42)

Read/Write Address: 375H, Index 42H

Power-On Default: 00H

7	6	5	4	3	2	1	0
R	R	INTL MODE	R	DOT-CLOCK-SELECT			

Bits 3-0 DOT-CLOCK-SELECT

These bits are effective when 11b is programmed in bits 3-2 of the Miscellaneous Output register (3C2H) and are strobed on GD[3:0] by the STWR signal. The bit coding is dependent on the clock generator capabilities.

Bit 4 Reserved

Bit 5 INTL MODE - Interlaced Mode

0 = Noninterlaced

1 = Interlaced

This bit enables the function of CR3C.

Bits 7-6 Reserved



Extended Mode Register (EXT_MODE) (CR43)

Read/Write Address: 375H, Index 43H
Power-On Default: 00H

7	6	5	4	3	2	1	0
HCTR X2	R	R	R	R	OLD LSW8	OLD RS2	VCLK EDG

Bit 0 VCLK EDG - Video Clock Edge Mode Select
0 = PA[15:0] values change every VCLK rising edge
1 = PA[15:0] values change every VCLK rising and falling edge (15/16 bits/pixel only)

Bit 1 OLD RS2 - Old DAC Register Select Bit 2
This is an extension bit of RS[1:0] for RAMDAC addressing. This is disabled if bit 0 of the Extended Video DAC Control register (CR55) is set to 1.

Bit 2 OLD LSW8 - Logical Screen Width Bit 8
This is an extension of the Offset (Screen Width) register (CR13). This is disabled if bits 5-4 of the Extended System Control 2 register (CR51) are not 00b.

Bits 6-3 Reserved

Bit 7 HCTR X2 - Horizontal Counter Double Mode
0 = Disable horizontal counter double mode
1 = Enable horizontal counter double mode (horizontal CRT parameters are doubled)

Hardware Graphics Cursor Mode Register (HGC_MODE) (CR45)

Read/Write Address: 375H, Index 45H
Power-On Default: 00H

7	6	5	4	3	2	1	0
R	R	R	HWGC 1280	HWC-CSEL 1	0	R	HWGC ENB

Bit 0 HWGC ENB - Hardware Graphics Cursor Enable
0 = Hardware graphics cursor disabled in any mode
1 = Hardware graphics cursor enabled in Enhanced mode

Bit 1 Reserved



Bits 3-2 HWC-CSEL - Hardware Cursor Color Select

8-bit RAMDAC

00 = Cursor colors are 4/8 bits/pixel (colors from CRE and CRF)

01 = Cursor colors are 16 bits/pixel (colors from CR4A and CR4B)

10 = Cursor colors are 24 bits/pixel (colors from CR4A and CR4B)

11 = Cursor colors are 32 bits/pixel (colors from CR4A and CR4B)

These bits settings must match the pixel length settings in bits 5-4 of CR50.

16-bit RAMDAC

00 = Cursor colors are 4/8/16 bits/pixel (colors from CR4A and CR4B)

01 = Cursor colors are 24/32 bits/pixel (colors from CR4A and CR4B)

10 = Reserved

11 = Reserved

These bits are used to select the color depth of the hardware cursor. The Hardware Graphics Cursor Foreground and Background Color Stack registers (CR4A, CR4B), stack pointers 0-3 define the color except when using 4/8 bits/pixel with an 8-bit RAMDAC.

Bit 4 HWGC 1280 - Hardware Cursor Right Storage

0 = Function disabled

1 = For 4 bits/pixel, the last 256 bytes in each 1-KByte line of the hardware cursor start address become the hardware graphics cursor storage area. For 8 bits/pixel, the last 512 bytes in each 2-KByte line of the hardware cursor start address become the hardware graphics cursor storage area. In either case, bits 1-0 of CR4D must be 11b.

Bits 7-5 Reserved

Hardware Graphics Cursor Origin-X Registers (HWGC_ORGX(H)(L)) (CR46, CR47)

Read/Write Address: 375H, Index 46H, 47H

Power-On Default: 0000H

The high order three bits are written into CR46 and the low order byte is written into CR47.

15	14	13	12	11	10	9	8	7	6	5	4	3	2	1	0
R	R	R	R	R	HWGC ORG X (H)			HWGC ORG X (L)							

Bits 10-0 HWGC ORG X(H) (L) - X-Coordinate of Cursor Left Side

Bits 15-11 Reserved



Hardware Graphics Cursor Origin-Y Registers (HWGC_ORGY(H)(L)) (CR48, CR49)

Read/Write Address: 375H, Index 48H, 49H
Power-On Default: Undefined

The high order three bits are written into CR48 and the low order byte is written into CR49.

15	14	13	12	11	10	9	8	7	6	5	4	3	2	1	0
R	R	R	R	R	HWGC ORG Y (H)			HWGC ORG Y (L)							

Bits 10-0 HWGC ORG Y (H)(L) - Y-Coordinate of Cursor Upper Line
The cursor X, Y position is registered upon writing HWGC ORG Y (H).

Bits 15-11 Reserved

Hardware Graphics Cursor Foreground Color Stack Register (HWGC_FGSTK) (CR4A)

Read/Write Address: 375H, Index 4AH
Power-On Default: Undefined

7	6	5	4	3	2	1	0
TRUE COLOR FOREGROUND STACK (0-3)							

Bits 7-0 TRUE COLOR FOREGROUND STACK (0-3)

Four foreground color registers are stacked at this address. The stack pointer (common with CR4B) is reset to 0 by reading the Hardware Graphics Cursor Mode register (CR45). Each write to this register (CR4A) increments the stack pointer by 1, so four writes provide 32 bits of true color information. These registers are selectively enabled by bits 3-2 of CR45.



Hardware Graphics Cursor Background Color Stack Register (HWGC_BGSTK) (CR4B)

Read/Write Address: 3?5H, Index 4BH
Power-On Default: Undefined

7	6	5	4	3	2	1	0
TRUE COLOR BACKGROUND STACK (0-3)							

Bits 7-0 TRUE COLOR BACKGROUND STACK (0-3)

Four background color registers are stacked at this address. The stack pointer (common with CR4A) is reset to 0 by reading the Hardware Graphics Cursor Mode register (CR45). Each write to this register (CR4B) increments the stack pointer by 1, so four writes provide 32 bits of true color information. These registers are selectively enabled by bits 3-2 of CR45.

Hardware Graphics Cursor Storage Start Address Registers (HWGC_STA(H)(L) (CR4C, CR4D)

Read/Write Address: 3?5H, Index 4CH, 4DH
Power-On Default: Undefined

The high order four bits are written into CR4C and the low order byte is written into CR4D.

15	14	13	12	11	10	9	8	7	6	5	4	3	2	1	0
R	R	R	R	HWGC STA(H)				HWGC STA(L)							

Bits 11-0 HWGC STA(H)(L) - Hardware Graphics Cursor Storage Start Address

Bits 15-12 Reserved



Hardware Graphics Cursor Pattern Display Start X-PXL-Position Register (HWGC_DX) (CR4E)

Read/Write Address: 375H, Index 4EH
Power-On Default: Undefined

7	6	5	4	3	2	1	0
R	R	HWGC PAT DISP START X-POS					

Bits 5–0 HWGC PAT DISP START X-POS - HWGC Pattern Display Start-X Pixel Position

This value is the offset (in pixels) from the left side of the 64x64 cursor pixel pattern from which the cursor is displayed. This allows a partial cursor to be displayed at the left border of the display.

Bits 7–6 Reserved

Hardware Graphics Cursor Pattern Disp Start Y-PXL-Position Register (HGC_DY) (CR4F)

Read/Write Address: 375H, Index 4FH
Power-On Default: Undefined

7	6	5	4	3	2	1	0
R	R	HWGC PAT DISP START Y-POS					

Bits 5–0 HWGC PAT DISP START Y-POS - HWGC Pattern Display Start-Y Pixel Position

This value is the offset (in pixels) from the top of the 64x64 cursor pixel pattern from which the cursor is displayed. This allows a partial cursor to be displayed at the top of the display.

Bits 7–6 Reserved



Section 17: System Extension Register Descriptions

These registers provide extended system and memory control, external sync control and addressing window control. They are enabled in the same way as the System Control registers via the Register Lock 2 register (CR39).

In the following register descriptions, 'R' stands for reserved (write = 0, read = undefined). See Appendix A for a table listing each of the registers in this section and its page number.

Extended System Cont 1 Register (EX_SCTL_1) (CR50)

Read/Write Address: 375H, Index 50H
Power-On Default: 00H

7	6	5	4	3	2	1	0
GE-SCR-W		PXL-LNGH		R	ENB BREQ	R	GESW
1 0		1 0					2

Bit 0 Extension bit 2 of the screen width definition. See bits 7-6 below.

Bit 1 Reserved

Bit 2 ENB $\overline{\text{BREQ}}$ - Enable $\overline{\text{BREQ}}$ Function
0 = $\overline{\text{BREQ}}$, $\overline{\text{BGNT}}$ functions disabled
1 = $\overline{\text{BREQ}}$, $\overline{\text{BGNT}}$ functions enabled

Bit 3 Reserved

Bits 5-4 PXL-LNGH - Pixel Length Select
00 = 1 byte (Default). This corresponds to a pixel length of 4 or 8 bits/pixel in bit 7 of the Subsystem Status register (42E8H)
01 = 2 bytes. 16 bits/pixel
10 = Reserved
11 = 4 bytes. 32 bits/pixel

These bits select the pixel length for Enhanced mode command execution through the Graphics Engine.



- Bits 7-6** GE-SCR-W - Graphics Engine Command Screen Pixel Width
 Bit 0 of this register is the most significant bit of this definition.
 000 = 1024 (or 2048 if bit 1 of CR31 = 1) (Default)
 001 = 640
 010 = 800 (or 1600x1200x4 if bit 2 of 4AE8H = 1)
 011 = 1280
 100 = 1152
 101 = Reserved
 110 = 1600
 111 = Reserved

Extended System Control 2 Register (EX_SCTL_2) (CR51)

Read/Write Address: 375H, Index 51H
Power-On Default: 00H

7	6	5	4	3	2	1	0
R	R	LOG-SCR-W 9 8	OLD-CBAD 19 18	OLD-DSAD 19 18		19	18

- Bits 1-0** OLD-DSAD - Old Display Start Address Bits 19-18
 These are extension bits of Memory Configuration register (CR31) bits 5-4 (Display Start Base Address). If the upper 4 display start address bits are programmed into bits 3-0 of CR69, these bits and bits 5-4 of CR31 are ignored.
- Bits 3-2** OLD-CBAD - Old CPU Base Address Bits 19-18
 These are extension bits of CRT Register Lock register (CR35) bits 3-0 (CPU Base Address). They becomes bits 19-18 of the CPU base address, enabling access to up to 4 MBytes of display memory. If the upper 6 CPU base address bits are programmed into bits 5-0 of CR6A, these bits and bits 3-0 of CR35 are ignored.
- Bits 5-4** LOG-SCR-W - Logical Screen Width Bits 9-8
 These are two extension bits of the Offset register (CR13). If the value of these bits is not 00b, bit 2 of the Extended Mode register (CR43) is disabled.
- Bits 7-6** Reserved



Extended BIOS Flag 1 Register (EXT_BBFLG1) (CR52)

Read/Write Address: 375H, Index 52H
Power-On Default: 00H

7	6	5	4	3	2	1	0
EXT-BIOS-FLAG-REGISTER-1							

Bits 7-0 EXT-BIOS-FLAG-REGISTER-1

See the S3 video BIOS documentation for the coding of this register. Note that this coding is different from that used with previous S3 accelerators.

Extended Memory Control 1 Register (EX_MCTL_1) (CR53)

Read/Write Address: 375H, Index 53H
Power-On Default: 00H

7	6	5	4	3	2	1	0
R	SWP NBL	R	ENB MMIO	R	R	R	ENB WPB

Bit 0 ENB WPB - Enable Write Per Bit
0 = Disable write per bit for all memory banks
1 = Enable write per bit for all memory banks

Bits 3-1 Reserved

Bit 4 ENB MMIO - Enable MMIO Access
0 = Disable (Default)
1 = Enable Memory-Mapped I/O

The first 32-KByte MMIO area (A0000H-A7FFFH) is used for image transfers via E2E8H and E2EAH. The second 32-KByte MMIO area (A8000H-AFFFFH) is used for the Enhanced command registers (from 82E8H to BEE8H).

Bit 5 Reserved

Bit 6 SWP NBL - Swap Nibbles
0 = No nibble swap
1 = Swap nibbles in each byte of a linear memory address read or write operation

Bit 7 Reserved

**Extended Memory Control 2 Register (EX_MCTL_2) (CR54)**

Read/Write Address: 375H, Index 54H
 Power-On Default: 00H

7	6	5	4	3	2	1	0
M PARAMETER					R	R	R

Bits 2-0 Reserved

Bits 7-3 M PARAMETER

5-bit Value = (number of 8-byte memory access cycles available for purposes other than filling the display FIFO) - 1. This parameter should be maximized within the constraint that a display FIFO underrun is not allowed. See Section 7.4, Display Memory Access Control, for more information.

Extended RAMDAC Control Register (EX_DAC_CT) (CR55)

Read/Write Address: 375H, Index 55H
 Power-On Default: 00H

7	6	5	4	3	2	1	0
TOFF VCLK	R	R	MS /X11	R	ENB GIR	R	DAC RS2

Bit 0 DAC RS2 - DAC Register Select Bit 2

This is the extension bit of the RS[1:0] signals for RAMDAC addressing. If the value of this bit is one, bit 1 of the Extended Mode register (CR43) is disabled and the RS2 output pin is driven high. If the value of this bit is 0, the state of RS2 is determined by bit 1 of CR43.

Bit 1 Reserved

Bit 2 ENB GIR - Enable General Input Port Read

0 = RAMDAC reads enabled

1 = RAMDAC reads disabled. The $\overline{\text{RMSTRD}}$ and $\overline{\text{RS2}}$ strobes for reading the General Input Port data are enabled.

Bit 3 Reserved

Bit 4 MS/X11 - Hardware Cursor MS/X11 Mode

0 = MS-Windows mode (Default)

1 = X11-Windows mode

This bit select the type of decoding used for the 64x64x2 storage array of the hardware graphics cursor. See the Programming the Hardware Cursor section for a description of the decoding.



Bits 6-5 Reserved

Bit 7 TOFF VCLK - Tri-State Off VCLK Output
0 = Normal operation
1 = VCLK output is tri-stated off

External Sync Control 1 Register (EX_SYNC_1) (CR56)

Read/Write Address: 375H, Index 56H
Power-On Default: 00H

7	6	5	4	3	2	1	0
R	R	TOFF SYNC	PRST ODDF	ESYN R/V	R	R	RMT ON

Bit 0 RMT ON - Remote Mode Operation
0 = Remote Mode operation off
1 = Remote Mode operation on. The VSYNC pin becomes the input for genlocking.

Bits 2-1 Reserved

Bit 3 ESYN R/V - External Sync Vertical Counter Reset Select
0 = Horizontal/Vertical counter reset sync (Default)
1 = Vertical counter-only reset sync with genlocking

If bit 0 (Remote Mode) is set to 1, the falling edge of the VSYNC input signal resets the vertical counter (every other frame in the interlaced mode) or both the horizontal and vertical counters.

Bit 4 PRST ODDF - Preset Frame Select (-EVEN/ODD)
0 = Start with the Even Frame after a V-counter reset (Default)
1 = Start with the Odd Frame after a V-counter reset

This bit is effective only when bit 3 = 1 with remote mode on (bit 0 = 1).

Bit 5 TOFF SYNC - Tri-State Off Sync Outputs
0 = Normal operation
1 = HSYNC, VSYNC, and $\overline{\text{BLANK}}$ become tri-state off outputs

Bits 7-6 Reserved



External Sync Control 2 Register (EX_SYNC_2) (CR57)

Read/Write Address: 375H, Index 57H
Power-On Default: 00H

7	6	5	4	3	2	1	0
HSYN-RESET-ADJUST				VSYNC-RESET-ADJUST			
3	2	1	0	3	2	1	0

Bits 3-0 VSYNC-RESET-ADJUST

This specifies the vertical delay line number of the V-counter reset from the falling edge of VSYNC. The set value must be not equal zero in Remote mode (bit 0 of CR56 = 1).

Bits 7-4 HSYN-RESET-ADJUST

This specifies the horizontal delay character number of the H-counter reset from the falling edge of VSYNC after VSYNC Reset Adjust.

Linear Address Window Control Register (LAW_CTL) (CR58)

Read/Write Address: 375H, Index 58H
Power-On Default: 00H

7	6	5	4	3	2	1	0
R	R	R	ENB LA	LAT DEL	R	LAW-SIZE 1 0	

Bits 1-0 LAW-SIZE - Linear Address Window Size

00 = 64 KBytes (Default)

01 = 1 MByte

10 = 2 MBytes

11 = 8 MBytes

Programmers should set these bits to 11b for a 4-MByte memory configuration and be aware that the second 4-MByte region of enabled address space is not backed with real memory.

Bit 2 Reserved

Bit 3 LAT DEL - Address Latch Delay Control (VL-Bus only)

0 = Address latching is delayed one clock (T2 cycle)

1 = Address latching occurs in the T1 cycle

This bit is effective only when one decode wait state is selected by setting bit 4 of CR40 to 1.



Bit 4 ENB LA - Enable Linear Addressing
0 = Disable linear addressing (Default)
1 = Enable linear addressing

Enabling linear addressing disables access to the A000H-AFFFH region unless banking is enabled via bit 0 of CR31, the window size is set to 64K via bits 1-0 of this register and A000H is specified as the base in CR59-5A.

Bits 7-5 Reserved

Linear Address Window Position Registers (LAW_POS(X) (CR59-5A)

Read/Write Address: 3?5H, Index 59H-5AH
Power-On Default: 000AH

15	14	13	12	11	10	9	8	7	6	5	4	3	2	1	0
LINEAR-ADDRESS-WINDOW-POSITION															

CR59 contains the upper byte (15-8) and CR5A contains the lower byte (7-0). These registers specify the Linear Address Window Position in 32-bit CPU address space. The Linear Address Window resides on a 64KB, 1MB, 2MB or 8MB memory boundary (size-aligned boundary). Some LSBs of this register (illustrated by "xx..xx" in the following table) are ignored because of the size-aligned boundary scheme.

LAW Size	Linear Address Window Position Register Bit(s)														
64KB	31-25	24	23	22	21	20	19	18	17	16					
1MB	31-25	24	23	22	21	20	xx	xx	xx	xx					
2MB	31-25	24	23	22	21	xx	xx	xx	xx	xx					
8MB	31-25	24	23	xx	xx	xx	xx	xx	xx	xx					

Bits 15-0 LINEAR-ADDRESS-WINDOW-POSITION - LA Window Position Bits 31-16
16-bit Value = the linear address window position in 32-bit CPU address space.

Bits 31-23 are common with bits 31-23 of the base address programmed into the PCI Base Address 0 register at address 10H-12H. Writes to these bits in either register will also be written to the other. In general, the bits should be programmed via the PCI configuration register. Writes to CR59 and CR5A should be read-modify- writes that do not change bits 31-23.

If a 64K window is specified and bit 0 of CR31 is set to 1, bits 5-0 of CR6A specify the 64K page of display memory to be accessed through a 64K window located at the address specified in these registers.



Extended BIOS Flag 2 Register (EXT_BFLG2) (CR5B)

Read/Write Address: 375H, Index 5BH
Power-On Default: 00H

15	14	13	12	11	10	9	8
EXT-BIOS-FLAG-REGISTER-2							

Bits 7-0 EXT-BIOS-FLAG-REGISTER-2
Used by the BIOS.

General Output Port Register (GOUT_PORT) (CR5C)

Read/Write: See Bit Descriptions Address: 375H, Index 5CH
Power-On Default: 00H

7	6	5	4	3	2	1	0
GENERAL-OUT-PORT				CLOCK-SELECT-OUT			

Bits 3-0 CLOCK-SELECT-OUT (Read Only) - DCLK Select
The value stored in these bits is determined as shown in the following table. The bit values are driven on GD[3:0] when CR42 bits 3-0, 3C2H bits 3-2 or this register (bits 7-4) are written to and are strobed into the clock generator by STWR.

3C2H, Bits 3-2	CLOCK-SELECT-OUT
00	0000
01	0001
10	0010
11	Content of CR42 [3:0]

Bits 7-4 GENERAL-OUT-PORT (Read/Write)
These bits are user definable. They are driven on GD[7:4] when written and also when CR42 bits 3-0 or 3C2H bits 3-2 are written and are strobed into an external buffer by STWR.



Extended Horizontal Overflow Register (EXT_H_OVF) (CR5D)

Read/Write Address: 375H, Index 5DH
Power-On Default: 00H

7	6	5	4	3	2	1	0
BGT 8	SFF 8	EHS +32	SHS 8	EHB +64	SHB 8	HDE 8	HT 8

- Bit 0** HT 8 - Horizontal Total (CR0) Bit 8
- Bit 1** HDE 8 - Horizontal Display End (CR1) Bit 8
- Bit 2** SHB 8 - Start Horizontal Blank (CR2) Bit 8
- Bit 3** EHB+64 - End Horizontal Blank (CR3) + 64
0 = BLANK pulse unaffected
1 = BLANK pulse extended by 64 DCLKs
- Bit 4** SHS 8 - Start Horizontal Sync Position (CR4) Bit 8
- Bit 5** EHS+32 - End Horizontal Sync (CR5) + 32
0 = HSYNC pulse unaffected
1 = HSYNC pulse extended by 32 DCLKs
- Bit 6** SFF 8 - Start FIFO Fetch (CR3B) Bit 8
- Bit 7** BGT 8 - Bus-Grant Terminate Position (CR5F) Bit 8

Extended Vertical Overflow Register (EXT_V_OVF) (CR5E)

Read/Write Address: 375H, Index 5EH
Power-On Default: 00H

7	6	5	4	3	2	1	0
R	LCM 10	R	VRS 10	R	SVB 10	VDE 10	VT 10

- Bit 0** VT 10 - Vertical Total (CR6) Bit 10
- Bit 1** VDE 10 - Vertical Display End (CR12) Bit 10
- Bit 2** SVB 10 - Start Vertical Blank (CR15) Bit 10
- Bit 3** Reserved
- Bit 4** VRS 10 - Vertical Retrace Start (CR10) Bit 10



Bit 5 Reserved

Bit 6 LCM 10 - Line Compare Position (CR18) Bit 10

Bit 7 Reserved

Bus Grant Termination Position Register (BGNT_TPOS) (CR5F)

Read/Write Address: 375H, Index 5FH
Power-On Default: 00H

The Bus Grant Termination Position is a 9-bit value specifying the horizontal line position (in character clocks) at which an active BGNT signal is deasserted, requiring a secondary controller to give up control of the memory bus. A subsequent BREQ from the secondary memory controller will not be granted until after the start of the next scan line. This must be set to a value that ensures that enough time is available for RAM refresh and hardware cursor fetch. The ninth bit is bit 7 of CR5D. This value is effective only if bit 2 of CR50 is set to 1.

7	6	5	4	3	2	1	0
BGNT-TPOS							

Bits 7-0 BGNT_TPOS - Bus Grant Termination Position
9-bit Value = the horizontal line position (in character clocks) at and beyond which a bus grant (BGNT) to an alternate memory controller is deasserted. This register contains the least significant 8 bits of this value.

Extended Memory Control 3 Register (EXT-MCTL-3) (CR60)

Read/Write Address: 375H, Index 60H
Power-On Default: 00H

7	6	5	4	3	2	1	0
N(DISP-FETCH-PAGE)							

Bits 7-0 N(DISP-FETCH-PAGE) - N Parameter
Value = (number of 4-byte (1 MByte of memory) or 8-byte (2 or 4 MBytes of memory) units written to the display FIFO before memory access is allowed to other requestors) -1. See Section 7.4, Display Memory Access Control, for more information.



Extended Memory Control 4 Register (EXT-MCTL-4) (CR61)

Read/Write Address: 375H, Index 61H
Power-On Default: 00H

7	6	5	4	3	2	1	0
ENB DFLC	R	R	R	R	L(DISPLAY-FETCH-LENGTH) 10-8		

Bits 2-0 L(DISPLAY-FETCH-LENGTH) 10-8 - L Parameter (Bits 10-8)
These are bits 10-8 of the L parameter. See the description of the L parameter in the description for CR62.

Bits 6-3 Reserved

Bit 7 ENB DFCL - Enable Display Fetch Length Control
0 = Display fetch length control (L parameter) disabled
1 = Display fetch length control (L parameter) enabled

Extended Memory Control 5 Register (EXT-MCTL-5) (CR62)

Read/Write Address: 375H, Index 62H
Power-On Default: 07H

These are the lower 8 bits of an 11-bit value used in conjunction with the M and N parameters to optimize performance. If the display FIFO is being filled when this value is reached, FIFO filling will be stopped and memory control will be switched to the M parameter. The upper three bits are bits 2-0 of CR61.

7	6	5	4	3	2	1	0
L(DISPLAY-FETCH-LENGTH) 7-0							

Bits 7-0 L(DISPLAY-FETCH-LENGTH) 7-0 - L Parameter (Bits 7-0)
11-bit Value = (number of bytes of displayed pixels per scan line) divided by 4 for 1-Byte memory configurations or divided by 8 for 2- or 4-MByte memory configurations. This register contains the least significant 8 bits of this value.

**External Sync Delay Adjust High Register (EX-DL-ADJUST-HI) (CR63)**

Read/Write Address: 375H, Index 63H
 Power-On Default: 00H

This register provides the high order bits of values that specify delays for the vertical and horizontal sync resets. These delays are required for genlocking a second video source to a primary video source (both feeding the same RAMDAC). The purpose of the adjustment is to have the origin (0,0 coordinate) at the same screen position for both video sources.

7	6	5	4	3	2	1	0
HSYNC-RESET-ADJUST				VSYNC-RESET-ADJUST			

Bits 3-0 VSYNC-RESET-ADJUST - VSYNC Reset Adjust (Bits 7-4)

This specifies the upper 4 bits of the VSYNC Reset Adjust. The lower 4 bits are bits 3-0 of CR57. This value specifies the number of scan lines the VSYNC reset in the slave is delayed from the falling edge of the VSYNC input from the master.

Bits 7-4 HSYNC-RESET-ADJUST - HSYNC Reset Adjust (Bits 7-4)

This specifies the upper 4 bits of the HSYNC Reset Adjust. The lower 4 bits are bits 7-4 of CR57. This value specifies the number of character clocks the HSYNC reset in the slave is delayed from the falling edge of the VSYNC input from the master.

Genlocking Adjustment Register (CH-CRT-DOT-ADJUST) (CR64)

Read/Write Address: 375H, Index 64H
 Power-On Default: 00H

This register allows finer-grain genlocking adjustments than those provided by CR57 and CR63.

7	6	5	4	3	2	1	0
CH ENB	CH-CLK-PH-ADJUST			H-CTR ENB	H-CTR-DOT-ADD-ADJUST		

Bits 2-0 H-CTR-DOT-ADD-ADJUST - H-Counter Dot Addition Adjust

This value adjusts the timing of the H-Counter reset delay in terms of dot clocks. Bit 3 is the enable for this function.

Bit 3 H-CTR ENB - Enable for H-Counter Dot Addition Adjust

0 = Disable H-Counter Dot Addition Adjust
 1 = Enable H-Counter Dot Addition Adjust

Bits 6-4 CH-CLK-PH-ADJUST - Character Clock Phase Adjust

This specifies the delay (in dot clock units) of the character clock from the rising edge of VSYNC. Bit 7 is the enable for this function.



- Bit 7** CH ENB - Enable for Character Clock Phase Adjust
0 = Disable character clock phase adjustment
1 = Enable character clock phase adjustment

Extended Miscellaneous Control Register (EXT-MISC-CTL) (CR65)

Read/Write Address: 375H, Index 65H
Power-On Default: 00H

7	6	5	4	3	2	1	0
R	R	R	R	R	ENB 3C3	R	R

Bits 1-0 Reserved

- Bit 2** ENB 3C3 - Enable 3C3H for Video Subsystem Setup
0 = 46E8H is the address for video subsystem setup
1 = 3C3H is the address for video subsystem setup

This bit allows the CPU to initialize a second video card.

Bits 7-3 Reserved

Extended Miscellaneous Control 1 Register (EXT-MISC-1) (CR66)

Read/Write Address: 375H, Index 66H
Power-On Default: 00H

7	6	5	4	3	2	1	0
PCI DE	TOFF PADT	R	R	R	DIV-VCLK 2 1 0		

- Bits 2-0** DIV-VCLK
000 = VCLK = DCLK
001 = VCLK = DCLK/2
010 = VCLK = DCLK/4
011 = VCLK = DCLK/8
100 = VCLK = DCLK/16
101 = VCLK = DCLK/32
111 = Reserved

Bits 5-3 Reserved

- Bit 6** TOFF PADT - Tri-State Off Pixel Address Bus
0 = Normal operation
1 = PA[15:0] are set to tri-state off



Bit 7 PCI DE - PCI Bus Disconnect Enable

0 = PCI bus disconnect disabled

1 = PCI bus disconnect enabled

Setting this bit to 1 allows PCI burst cycles to be interrupted if AD[1:0] ≠ 00b or if the address during the burst goes outside the address ranges supported by the Vision864.

Extended Miscellaneous Control 2 Register (EXT-MISC-2)(CR67)

Read/Write

Address: 375H, Index 67H

Power-On Default: 00H

7	6	5	4	3	2	1	0
PA16B-COLOR-MODE				R	R	R	VCLK
3	2	1	0				PHS

Bit 0 VCLK PHS - VCLK Phase With Respect to DCLK

0 = VCLK is 180° out of phase with DCLK (inverted)

1 = VCLK is in phase with DCLK

Bits 3-1 Reserved

Bits 7-4 PA16B-COLOR-MODE - 16-bit RAMDAC Color Mode

0000 = Mode 0: 8-bit color, 1 VCLK/pixel

0010 = Mode 1: 15-bit color, 2 VCLKs/pixel

0100 = Mode 2: 24-bit color, 3 VCLKs/pixel

0110 = Mode 3: 16-bit color, 2 VCLKs/pixel

0001 = Mode 8: Two 8-bit color, 1 VCLK/2 pixels

0011 = Mode 9: 15-bit color, 1 VCLK/pixel

0101 = Mode 10: 16-bit color, 1 VCLK/pixel

0111 = Mode 11: 24/32-bit color, 2 VCLKs/pixel



Configuration 3 Register (CNFG-REG-3) (CR68)

Read/Write Address: 375H, Index 68H
Power-On Default: Depends on Strapping

This is the third byte (along with CR36 and CR37) of the power-on strapping bits. PD[23:16] are sampled on power-on reset and their states are written to bits 7-0 of this register. A5H must be written to CR39 to provide read/write access to this register.

7	6	5	4	3	2	1	0
RAS-PCG		RAS-LOW		MA-D-SEL		CAS-STR	
1	0	1	0	1	0	1	0

- Bits 1-0** $\overline{\text{CAS}}$, $\overline{\text{WE}}$, $\overline{\text{OE}}$ Stretch Time
 00 = 6.5 ns delay (nominal)
 01 = 5 ns delay (nominal)
 10 = 3.5 ns delay (nominal)
 11 = no delay

This parameter adjusts the timing for the rising edges of the $\overline{\text{CAS}}$, $\overline{\text{WE}}$ and $\overline{\text{OE}}$ signals. This allows stretching of the signal active time. The falling edges of these signals are not affected. The delay times shown above are approximations. They are affected by both process and signal loading and must be measured for each design.

- Bits 3-2** MA-D-SEL - Memory Address Depth Select
 00 = Reserved
 01 = Reserved
 10 = Reserved
 11 = 256K (512 rows x 512 columns)

- Bits 5-4** $\overline{\text{RAS-LOW}}$ - $\overline{\text{RAS}}$ Low Timing Select
 00 = 6.5 MCLKs
 01 = 5.5 MCLKs
 10 = 4.5 MCLKs
 11 = 3.5 MCLKs

This parameter specifies the length of the $\overline{\text{RAS}}$ active time for a single row/column access. $\overline{\text{RAS}}$ may be held low longer to accommodate additional page mode accesses to the same row.

- Bits 7-6** $\overline{\text{RAS-PCG}}$ - $\overline{\text{RAS}}$ Precharge Timing Select
 00 = Reserved
 01 = 4.5 MCLKs
 10 = 3.5 MCLKs
 11 = 2.5 MCLKs

When $\overline{\text{RAS}}$ goes high to end a memory cycle, this parameter specifies the minimum period it must be held high before beginning another memory access cycle.



Extended System Control 3 Register (EXT-SCTL-3)(CR69)

Read/Write Address: 375H, Index 69H
Power-On Default: 00H

7	6	5	4	3	2	1	0
R	R	R	R	DISPLAY-START-ADDRESS			

Bits 3-0 DISPLAY-START-ADDRESS

This field contains the upper 4 bits (19-16) of the display start address, allowing addressing of up to 4 MBytes of display memory. When a non-zero value is programmed in this field, bits 5-4 of CR31 and 1-0 of CR51 (the old display start address bits) are ignored.

Bits 7-4 Reserved

Extended System Control 4 Register (EXT-SCTL-4)(CR6A)

Read/Write Address: 375H, Index 6AH
Power-On Default: 00H

7	6	5	4	3	2	1	0
R	R	CPU-BASE-ADDRESS					

Bits 5-0 CPU-BASE-ADDRESS

This field contains the upper 6 bits (19-14) of the CPU base address, allowing accessing of up to 4 MBytes of display memory via 64K pages. When a non-zero value is programmed in this field, bits 3-0 of CR35 and 3-2 of CR51 (the old CPU base address bits) are ignored. Bit 0 of CR31 must be set to 1 to enable this field. If linear addressing is enabled and a 64 KByte window is specified, these bits specify the 64K page to be accessed at the base address specified in CR59 and CR5A. Otherwise, the base address is normally at A000H.

Bits 7-6 Reserved



Extended BIOS Flag 3 Register (EBIOS-FLG3)(CR6B)

Read/Write Address: 375H, Index 6BH
Power-On Default: 00H

7	6	5	4	3	2	1	0
EXT-BIOS-FLAG-REGISTER-3							

Bits 7-0 EXT-BIOS-FLAG-REGISTER-3
This register is reserved for use by the S3 BIOS.

Extended BIOS Flag 4 Register (EBIOS-FLG4)(CR6C)

Read/Write Address: 375H, Index 6CH
Power-On Default: 00H

7	6	5	4	3	2	1	0
EXT-BIOS-FLAG-REGISTER-4							

Bits 7-0 EXT-BIOS-FLAG-REGISTER-4
This register is reserved for use by the S3 BIOS.

Extended Miscellaneous Control 3 Register (EXT-MISC-3)(CR6D)

Read/Write Address: 375H, Index 6DH
Power-On Default: 00H

7	6	5	4	3	2	1	0
R	R	R	R	R	DELAY-BL-BY-DCLK		

Bits 2-0 DELAY-BL-BY-DCLK - Delay $\overline{\text{BLANK}}$ by DCLK
The BLANK active pulse is delayed by the number of DCLK units programmed into this field. The pulse width is not affected.

Bits 7-3 Reserved



Section 18: Enhanced Commands Register Descriptions

These registers support the Vision864 Enhanced drawing commands. Access to these registers is enabled via bit 0 of the System Configuration register (CR40).

In the following register descriptions, 'R' stands for reserved (write = 0, read = undefined). See Appendix A for a table listing each of the registers in this section and its page number.

Subsystem Status Register (SUBSYS_STAT)

Read Only Address: 42E8H
Power-On Default: 0000H

This read-only register provides information on interrupt status, monitor I.D. and the number of bits per pixel. See the Subsystem Control (42E8H, Write Only) register for details on enabling and clearing interrupts.

15	14	13	12	11	10	9	8	7	6	5	4	3	2	1	0
R	R	R	R	R	R	R	R	PXL LNG	GIP DATA 2 1 0			FIFO EMP	FIFO OVF	GE BSY	VSY INT

Bit 0 VSYS INT - Vertical Sync Interrupt Status
0 = No interrupt
1 = Interrupt generated if enabled

Bit 1 GE BSY - Graphics Engine Busy Interrupt Status
0 = No interrupt
1 = Interrupt generated if enabled

Bit 2 FIFO OVF - FIFO Overflow Interrupt Status
0 = No interrupt
1 = Interrupt generated if enabled

Bit 3 FIFO EMP - FIFO Empty Interrupt Status
0 = No interrupt
1 = Interrupt generated if enabled



Bits 6-4 GIP DATA - General Input Port Data

These bits reflect the states of GD[7:5] during power-on reset. These lines are strapped to provide design-specific information.

Bit 7 PXL LNG - Pixel Length (# of bit planes)

0 = 4-bit

1 = 8-bit

This reflects the number of bit planes when bits 5-4 of the Extended System Control 1 register (CR50) are 00b.

Bits 15-8 Reserved

Subsystem Control Register (SUBSYS_CNTL)

Write Only

Address: 42E8H

Power-On Default: 0000H

This register allows each of several interrupt sources to be enabled or disabled. Interrupt status (Subsystem Status (42E8H, Read Only) can be cleared. This register also controls the software reset of the graphics engine.

15	14	13	12	11	10	9	8	7	6	5	4	3	2	1	0
GE-RST				FIFO-ENB	GE	VSY						FIFO	FIFO	GEB	VSY
1	0	R	R	EMP	OVF	BSY	ENB	R	R	R	R	CLE	CLO	CLR	CLR

Bit 0 VSY CLR - Clear Vertical Sync Interrupt Status

0 = No change

1 = Clear

Bit 1 GEB CLR - Clear Graphics Engine Busy Interrupt Status

0 = No change

1 = Clear

Bit 2 FIFO CLO - Clear FIFO Overflow Interrupt Status

0 = No change

1 = Clear

Bit 3 FIFO CLE - Clear FIFO Empty Interrupt Status

0 = No change

1 = Clear

Bits 7-4 Reserved

Bit 8 VSY ENB - Vertical Sync Interrupt Enable

0 = Disable

1 = Enable



Bit 9 GE BSY- Graphics Engine Busy Interrupt Enable

0 = Disable

1 = Enable

Bit 10 FIFO-ENB OVF - FIFO Overflow Interrupt Enable

0 = Disable

1 = Enable

Bit 11 FIFO-ENB EMP - FIFO Empty Interrupt Enable

0 = Disable

1 = Enable

Bits 13-12 Reserved

Bits 15-14 GE-RST - Graphics Engine Software Reset

00 = No change

01 = Graphics Engine enabled

10 = Reset

11 = Reserved

Advanced Function Control Register (ADVFUNC_CNTL)

Read/Write

Address: 4AE8H

Power-On Default: 0000H

This register enables or disables the enhanced display functions.

15	14	13	12	11	10	9	8	7	6	5	4	3	2	1	0
R	R	R	R	R	R	R	R	R	R	MIO	LA	R	ENH PL	R	ENB EHFC

Bit 0 ENB EHFC - Enable Enhanced Functions

0 = Enable VGA and VESA planar (4 bits/pixel) modes

1 = Enable all other modes (Enhanced and VESA non-planar)

Bit 1 Reserved

Bit 2 ENH PL - Enhanced modes pixel length

0 = 8 or more bits/pixel enhanced modes

1 = 4 bits/pixel enhanced modes

Bits 5-4 of CR50 are used to differentiate between 8-, 16- and 32-bit pixel lengths.

Bit 3 Reserved



Bit 4 LA - Enable Linear Addressing
0 = Disable linear addressing
1 = Enable linear addressing

This bit is ORed with bit 4 of CR58 and is equivalent to it.

Bit 5 MIO - Enable Memory Mapped I/O (MMIO)
0 = Disable MMIO
1 = Enable MMIO

This bit is ORed with bit 4 of CR53 and is equivalent to it.

Bits 15-6 Reserved

Current Y-Position Register(CUR_Y)

Read/Write Address: 82E8H
Power-On Default: Undefined

Writing to this register defines the vertical screen coordinate at which the next pixel will be drawn. Reading it produces the current vertical coordinate.

15	14	13	12	11	10	9	8	7	6	5	4	3	2	1	0
R	R	R	R	CURRENT Y-POSITION											

Bits 11-0 CURRENT Y-POSITION

Bits 15-12 Reserved

Current X-Position Register (CUR_X)

Read/Write Address: 86E8H
Power-On Default: Undefined

Writing to this register defines the horizontal screen coordinate at which the next pixel will be drawn. Reading it produces the current horizontal coordinate.

15	14	13	12	11	10	9	8	7	6	5	4	3	2	1	0
R	R	R	R	CURRENT X-POSITION											

Bits 11-0 CURRENT X-POSITION

Bits 15-12 Reserved



Destination Y-Position/Axial Step Constant Register (DESTY_AXSTP)

Read/Write Address: 8AE8H
Power-On Default: Undefined

This register defines the destination Y position for BitBLTs and pattern fills or the axial step constant for line draws.

15	14	13	12	11	10	9	8	7	6	5	4	3	2	1	0
R	R	R	R	DESTINATION Y-POSITION											

Bits 11–0 DESTINATION Y-POSITION
This setting applies only to BitBLTs and pattern fills.

Bits 15–12 Reserved

15	14	13	12	11	10	9	8	7	6	5	4	3	2	1	0
R	R	LINE PARAMETER AXIAL STEP CONSTANT													

Axial Step Constant = $2 * (\min(|dx|, |dy|))$ In other words, when drawing a line from point A to point B, determine the change in the X coordinate from A to B and the change in the Y coordinate from A to B. Take the smaller of the two changes and multiply its absolute value by 2.

Bits 13–0 LINE PARAMETER AXIAL STEP CONSTANT
This setting applies only to line draws.

Bits 15–14 Reserved

Destination X-Position/Diagonal Step Constant Register (DESTX_DIASTP)

Read/Write Address: 8EE8H
Power-On Default: Undefined

This register defines the destination X position for BitBLTs and pattern fills or the diagonal step constant for line draws.

15	14	13	12	11	10	9	8	7	6	5	4	3	2	1	0
R	R	R	R	DESTINATION X-POSITION											

Bits 11–0 DESTINATION X-POSITION
This setting applies only to BitBLTs and pattern fills.

Bits 15–12 Reserved



15	14	13	12	11	10	9	8	7	6	5	4	3	2	1	0
R	R	LINE PARAMETER DIAGONAL STEP CONSTANT													

Diagonal Step Constant = 2 * [min(|dx|,|dy|) - max(|dx|,|dy|)] See the Destination Y-Position/Axial Step Constant (8AE8H) register for an explanation of the terms used in this equation.

Bits 13-0 LINE PARAMETER DIAGONAL STEP CONSTANT
This setting applies only to line draws.

Bits 15-14 Reserved

Line Error Term Read/Write Register (ERR_TERM)

Read/Write Address: 92E8H
Power-On Default: Undefined

This register specifies the initial error term for the line draw operation.

15	14	13	12	11	10	9	8	7	6	5	4	3	2	1	0
R	R	LINE PARAMETER/ERROR TERM													

Error Term = 2 * min(|dx|,|dy|) - max(|dx|,|dy|) - 1 if the starting X < the ending X
Error Term = 2 * min(|dx|,|dy|) - max(|dx|,|dy|) if the starting X ≥ the ending X

See the Destination Y-Position/Axial Step Constant (8AE8H) register for an explanation of the terms used in these equations.

Bits 13-0 LINE PARAMETER/ERROR TERM

Bits 15-14 Reserved

Major Axis Pixel Count Register (MAJ_AXIS_PCNT)

Read/Write Address: 96E8H
Power-On Default: Undefined

This register specifies the length (in pixels) of the major (longest) axis.

15	14	13	12	11	10	9	8	7	6	5	4	3	2	1	0
R	R	R	R	RECTANGLE WIDTH/LINE PARAMETER MAX											

Bits 11-0 RECTANGLE WIDTH/LINE PARAMETER MAX
This parameter applies to BitBLTs, line draws and rectangle fills and pattern fills. Its value is the number of pixels along the major axis - 1.

Bits 15-12 Reserved



Graphics Processor Status Register (GP_STAT)

Read Only Address: 9AE8H
Power-On Default: Undefined

Table with 16 columns (bits 15-0) and 2 rows. Row 1: Bit labels (15-0). Row 2: Bit descriptions (FIFO-STATUS, AE, HDW BSY, R, FIFO-STATUS).

Bits 7-0 FIFO-STATUS

In the following table, the leftmost column represents the value of FIFO status bit 1 (register bit 7). Each column to the right represents the value of the next higher FIFO status bit. A value of 0 read from any particular status bit position guarantees at least as many open FIFO slots as the number of that status bit.

- 0000000000000 = 13 FIFO slots available
0000000000001 = 12 FIFO slots available
0000000000011 = 11 FIFO slots available
0000000000111 = 10 FIFO slots available
0000000001111 = 9 FIFO slots available
0000000011111 = 8 FIFO slots available
0000000111111 = 7 FIFO slots available
0000001111111 = 6 FIFO slots available
0000011111111 = 5 FIFO slots available
0000111111111 = 4 FIFO slots available
0001111111111 = 3 FIFO slots available
0011111111111 = 2 FIFO slots available
0111111111111 = 1 FIFO slots available
1111111111111 = 0 FIFO slots available

Bit 8 Reserved

Bit 9 HDW BSY - Hardware (Graphics Engine) Busy
0 = not busy
1 = busy - graphics command is executing

Bit 10 AE - All FIFO Slots Empty
0 = At least one FIFO slot is occupied
1 = All FIFO slots empty

Bits 15-11 FIFO-STATUS
These are the upper 5 bit of the FIFO status. See bits 7-0 for the interpretation.

**Drawing Command Register (CMD)**

Write Only Address: 9AE8H

Power-On Default: Undefined

This register specifies the drawing command and a number of associated control parameters.

15	14	13	12	11	10	9	8	7	6	5	4	3	2	1	0
CMD-TYPE			BYTE		BUS SIZE		WAIT	DRWG-DIR.			DRAW	DIR	LAST	PX	
2	1	0	SWP	R	1	0	YES	2	1	0	YES	TYP	POF	MD	R

Bit 0 Reserved

Bit 1 PX MD - Select Across the Plane Pixel Mode
 0 = Single pixel transferred at a time (through the plane mode)
 1 = Multiple pixels transferred at a time (across the plane mode)

Bit 2 LAST POF - Last Pixel Off
 0 = Last pixel of line or vector draw will be drawn
 1 = Last pixel of line or vector draw will not be drawn

Bit 3 DIR TYP - Select Radial Direction Type
 0 = x-y (axial)
 1 = Radial

Bit 4 DRAW YES - Draw Pixel
 0 = Move the current position only - don't draw
 1 = Draw pixel(s)

Bits 7-5 DRWG-DIR - Select Drawing Direction
 In the following table, radial drawing angle is measured counterclockwise from the X axis. For axial line draws, the line is drawn from left to right or a +X and from right to left for a -X, down for a +Y and up for a -Y. X or Y maj specifies the longest axis.

7-5	Radial (bit 3 = 1)	x-y (Axial - bit 3 = 0)
000	0°	-Y,X maj,-X
001	45°	-Y,X maj,+X
010	90°	-Y,Y maj,-X
011	135°	-Y,Y maj,+X
100	180°	+Y,X maj,-X
101	225°	+Y,X maj,+X
110	270°	+Y,Y maj,-X
111	315°	+Y,Y maj,+X

**Bit 8** WAIT YES - Wait for CPU Data

0 = Use Graphics Engine-based data

1 = Wait for data to be transferred to or from the CPU through the E2E8H port

Bits 10-9 BUS SIZE - Select System Bus Size

00 = 8-bit

01 = 16-bit

10 = 32-bit

11 = Reserved

This parameter applies only to the Pixel Data Transfer (E2E8H, E2EAH) registers or when using memory-mapped I/O.

Bit 11 Reserved**Bit 12** BYTE SWP - Enable Byte Swap

0 = High byte first, low byte second

1 = Low byte first, high byte second

Bits 15-13 CMD-TYPE - Select Command Type

000 = NOP. This is used to set up short stroke vector drawing without writing a pixel.

001 = Draw Line. If bit 3 of this register is cleared to 0, the axial step constant, diagonal step constant and error term are used to draw the line. If bit 3 is set to 1, the line will be drawn at the angle specified by bits 7-5 and with a length in pixels as specified by the Major Axis Pixel Count (96E8H) register.

010 = Rectangle Fill. The Major Axis Pixel Count register specifies the number of pixels in each horizontal line and the Minor Axis Pixel Count (BEE8H, Index 00H) register specifies the number of horizontal lines.

011 = Reserved

100 = Reserved

101 = Reserved

110 = BitBLT. This operation copies a rectangle from one part of display memory to another. It uses the Destination X and Y, the Current X and Y and the Major and Minor Pixel Count registers.

111 = Pattern Fill. Same as a BitBlt except that an 8x8 patterned rectangle is transferred repeatedly to the destination rectangle. The starting X coordinate of the source rectangle should always be on an 8 pixel boundary.



Short Stroke Vector Transfer Register (SHORT_STROKE)

Write Only Address: 9EE8H
Power-On Default: Undefined

This register defines two short stroke vectors. These are drawn one at a time based on the setting of the BYTE SWAP bit (bit 12) in the Command (9AE8H) register.

15	14	13	12	11	10	9	8	7	6	5	4	3	2	1	0
DRWG-DIR			DRW	PIXEL-LENGTH				DRWG-DIR.			DRW	PIXEL-LENGTH			
2	1	0	-MV	3	2	1	0	2	1	0	-MV	3	2	1	0

Bits 3-0 PIXEL-LENGTH
Value = # pixels - 1

Bit 4 DRW -MV - Draw Pixel
0 = Move current position only - don't draw
1 = Draw pixel

Bits 7-5 DRWG-DIR.- Select Drawing Direction (measured counterclockwise from the X axis)
000 = 0°
001 = 45°
010 = 90°
011 = 135°
100 = 180°
101 = 225°
110 = 270°
110 = 315°

Bits 15-8 These bits duplicate bits 7-0 to define the second short stroke vector.



Background Color Register (BKGD_COLOR)

Read/Write Address: A2E8H
Power-On Default: Undefined

See the Enhanced Mode Bitmap Accessing Through the Graphics Engine section in the Functional Description for a detailed explanation of how and when this color value is used when writing a pixel to display memory.

15	14	13	12	11	10	9	8	7	6	5	4	3	2	1	0
BACKGROUND COLOR															
31	30	29	28	27	26	25	24	23	22	21	20	19	18	17	16
BACKGROUND COLOR															

Bits 31–0 BACKGROUND COLOR

If bit 9 of BEE8_EH is set to 1, this becomes a 32-bit register. If bit 9 of BEE8_EH is cleared to 0, this is two 16-bit registers. In 32 bpp mode with 16-bit registers, the upper and lower doublewords are read or written sequentially, depending on the state of the RSF flag (bit 4 of BEE8H, Index EH). If RSF = 0, the lower 16 bits are accessed. If RSF = 1, the upper 16 bits are accessed. The RSF flag toggles automatically when a doubleword is read or written.

Foreground Color Register (FRGD_COLOR)

Read/Write Address: A6E8H
Power-On Default: Undefined

See the Enhanced Mode Bitmap Accessing Through the Graphics Engine section in the Functional Description for a detailed explanation of how and when this color value is used when writing a pixel to display memory.

15	14	13	12	11	10	9	8	7	6	5	4	3	2	1	0
FOREGROUND COLOR															
31	30	29	28	27	26	25	24	23	22	21	20	19	18	17	16
FOREGROUND COLOR															

Bits 31–0 FOREGROUND COLOR

If bit 9 of BEE8_EH is set to 1, this becomes a 32-bit register. If bit 9 of BEE8_EH is cleared to 0, this is two 16-bit registers. In 32 bpp mode with 16-bit registers, the upper and lower doublewords are read or written sequentially, depending on the state of the RSF flag (bit 4 of BEE8H, Index EH). If RSF = 0, the lower 16 bits are accessed. If RSF = 1, the upper 16 bits are accessed. The RSF flag toggles automatically when a doubleword is read or written.



Bitplane Write Mask Register (WRT_MASK)

Read/Write Address: AAE8H
Power-On Default: Undefined

15	14	13	12	11	10	9	8	7	6	5	4	3	2	1	0
BIT-PLANE WRITE MASK															
31	30	29	28	27	26	25	24	23	22	21	20	19	18	17	16
BIT-PLANE WRITE MASK															

Bits 31-0 BIT-PLANE WRITE MASK
If bit i = 0, bitplane i is not updated
If bit i = 1, bitplane i is updated

Bits 31-0 control planes 31-0 respectively. If bit 9 of BEE8_EH is set to 1, this becomes a 32-bit register. If bit 9 of BEE8_EH is cleared to 0, this is two 16-bit registers. In 32 bpp mode with 16-bit registers, the upper and lower doublewords are read or written sequentially, depending on the state of the RSF flag (bit 4 of BEE8H, Index EH). If RSF = 0, the lower 16 bits are accessed. If RSF = 1, the upper 16 bits are accessed. The RSF flag toggles automatically when a doubleword is read or written.

Bitplane Read Mask Register (RD_MASK)

Read/Write Address: AEE8H
Power-On Default: Undefined

15	14	13	12	11	10	9	8	7	6	5	4	3	2	1	0
BIT-PLANE READ MASK															
31	30	29	28	27	26	25	24	23	22	21	20	19	18	17	16
BIT-PLANE READ MASK															

Bits 31-0 BIT-PLANE READ MASK
If bit i = 0, bitplane i is not used as a data source
If bit i = 1, bitplane i is used as a data source

Bit-plane read mask for BitBLT and image transfer functions. Bits 31-0 control planes 31-0 respectively. If bit 9 of BEE8_EH is set to 1, this becomes a 32-bit register. If bit 9 of BEE8_EH is cleared to 0, this is two 16-bit registers. In 32 bpp mode with 16-bit registers, the upper and lower doublewords are read or written sequentially, depending on the state of the RSF flag (bit 4 of BEE8H, Index EH). If RSF = 0, the lower 16 bits are accessed. If RSF = 1, the upper 16 bits are accessed. The RSF flag toggles automatically when a doubleword is read or written.



Color Compare Register (COLOR_CMP)

Read/Write Address: B2E8H
Power-On Default: Undefined

This register contains the color value that is compared against the current bitmap color if the color compare option is turned on by setting bit 8 of the Pixel Control (BEE8H, Index 0EH) to 1. Bit 7 of the Pixel Control register determines whether a match or a non-match results in a pixel update.

15	14	13	12	11	10	9	8	7	6	5	4	3	2	1	0
COMPARISON COLOR WITH SOURCE															
31	30	29	28	27	26	25	24	23	22	21	20	19	18	17	16
COMPARISON COLOR WITH SOURCE															

Bits 31-0 COMPARISON COLOR WITH SOURCE

If bit 9 of BEE8_EH is set to 1, this becomes a 32-bit register. If bit 9 of BEE8_EH is cleared to 0, this is two 16-bit registers. In 32 bpp mode with 16-bit registers, the upper and lower doublewords are read or written sequentially, depending on the state of the RSF flag (bit 4 of BEE8H, Index EH). If RSF = 0, the lower 16 bits are accessed. If RSF = 1, the upper 16 bits are accessed. The RSF flag toggles automatically when a doubleword is read or written.

Background and Foreground Mix Registers (BKGD_MIX, FRGD_MIX)

Read/Write Address: B6E8H (Background), BAE8H (Foreground)
Power-On Default: Undefined

See the Enhanced Mode Bitmap Accessing Through the Graphics Engine section in the Functional Description for a detailed explanation of how and when these registers are used when writing a pixel to display memory.

15	14	13	12	11	10	9	8	7	6	5	4	3	2	1	0
									CLR-SRC			MIX-TYPE			
R	R	R	R	R	R	R	R	R	1	0	R	3	2	1	0

Bits 3-0 MIX-TYPE - Select Mix Type

In the general case, a new color is defined. A logical operation such as AND or OR is then performed between it and the current bitmap color. If the bitplane to be written is enabled, the result of this logical "mix" is written to the bitmap as the new pixel color. The following table shows the mix types available (! = logical NOT).



0000	!current	1000	!current OR !new
0001	logical zero	1001	current OR !new
0010	logical one	1010	!current OR new
0011	leave current as is	1011	current OR new
0100	!new	1100	current AND new
0101	current XOR new	1101	!current AND new
0110	!current XOR new	1110	current AND !new
0111	new	1111	!current AND !new

Bit 4 Reserved

Bits 6-5 CLR-SRC - Select Color Source

00 = Background color (the register is the color source)

01 = Foreground color (the register is the color source)

10 = CPU data (the CPU is the color source)

11 = Display memory (the display memory is the color source)

Bits 15-7 Reserved

Read Register Data Register (RD_REG_DT)

Read Only Address: BEE8H
Power-On Default: Undefined

A read of this register produces a read of the register specified by bits 2-0 of the Read Register Select (BEE8H, Index 0FH) register. Each read of BEE8H causes the read index (bits 2-0 of BEE8H, Index 0FH) to increment by one. Registers BEE8H, Indices 0H to 0EH, 9AE8H, 42E8H and 46E8H can thus be rapidly read by successive reads from BEE8H.

Note: Writes to the BEE8H registers (except the read index register, Index 0FH) are pipelined. Therefore, to correctly read back a write to one of these registers, issue a NOP drawing command (a write to 9AE8H with bits 15-13 programmed to 000b) immediately after the BEE8H register write. Next, write the desired register index to BEE8H, Index 0FH and read the data from BEE8H.

The BEE8H registers are written directly by writing to BEE8H with the appropriate register index in bits 15-12.

15	14	13	12	11	10	9	8	7	6	5	4	3	2	1	0
----	----	----	----	----	----	---	---	---	---	---	---	---	---	---	---



Minor Axis Pixel Count Register (MIN_AXIS_PCNT)

Write Only Address: BEE8H, Index 0H
Power-On Default: Undefined

This register specifies the length of the minor (smallest) axis in pixels.

15	14	13	12	11	10	9	8	7	6	5	4	3	2	1	0
0	0	0	0	RECTANGLE HEIGHT											

Bits 11-0 RECTANGLE HEIGHT
Value = (number of pixels in minor axis) - 1

Bits 15-12 INDEX = 0H

Top Scissors (SCISSORS_T)

Write Only Address: BEE8H, Index 1H
Power-On Default: Undefined

This register specifies the top of the clipping rectangle. It is the lowest Y value that will be drawn.

15	14	13	12	11	10	9	8	7	6	5	4	3	2	1	0
0	0	0	1	CLIPPING TOP LIMIT											

Bits 11-0 CLIPPING TOP LIMIT

Bits 15-12 INDEX = 1H

Left Scissors (SCISSORS_L)

Write Only Address: BEE8H, Index 2H
Power-On Default: Undefined

This register specifies the left side of the clipping rectangle. It is the lowest X value that will be drawn.

15	14	13	12	11	10	9	8	7	6	5	4	3	2	1	0
0	0	1	0	CLIPPING LEFT LIMIT											

Bits 11-0 CLIPPING LEFT LIMIT

Bits 15-12 INDEX = 2H

**Bottom Scissors (SCISSORS_B)**

Write Only Address: BEE8H, Index 3H
 Power-On Default: Undefined

This register specifies the bottom of the clipping rectangle. It is the highest Y value that will be drawn.

15	14	13	12	11	10	9	8	7	6	5	4	3	2	1	0
0	0	1	1	CLIPPING BOTTOM LIMIT											

Bits 11–0 CLIPPING BOTTOM LIMIT

Bits 15–12 INDEX = 3H

Right Scissors (SCISSORS_R)

Write Only Address: BEE8H, Index 4H
 Power-On Default: Undefined

This register specifies the right side of the clipping rectangle. It is the highest Y value that will be drawn.

15	14	13	12	11	10	9	8	7	6	5	4	3	2	1	0
0	1	0	0	CLIPPING RIGHT LIMIT											

Bits 11–0 CLIPPING RIGHT LIMIT

Bits 15–12 INDEX = 4H

Pixel Control Register (PIX_CNTL)

Write Only Address: BEE8H, Index 0AH
 Power-On Default: Undefined

See Bitmap Access Through the Graphics Engine in the Enhanced Mode Programming section for an explanation of how and when bits 7-6 of this register are used when writing a pixel to display memory.

15	14	13	12	11	10	9	8	7	6	5	4	3	2	1	0
1	0	1	0	R	R	R	R	DT-EX-SRC		R	R	R	R	R	R
								1	0						

Bits 5–0 Reserved



Bits 7-6 DT-EX-SRC - Select Mix Register
 00 = Foreground Mix register is always selected
 01 = Reserved
 10 = CPU data determines Mix register selected
 11 = Display memory current value determines Mix register selected

Bits 11-8 Reserved

Bits 15-12 INDEX = 0AH

Multifunction Control Miscellaneous 2 Register (MULT_MISC2)

Write Only Address: BEE8H, Index 0DH
 Power-On Default: D000H

15	14	13	12	11	10	9	8	7	6	5	4	3	2	1	0
=1	=1	=0	=1	=0	=0	=0	=0	=0	SRC-BASE		=0	DST=BASE			

Bits 2-0 DST-BASE - Destination Base Address
 000 = First destination memory address is in the 1st MByte of display memory
 001 = First destination memory address is in the 2nd MByte of display memory
 010 = First destination memory address is in the 3rd MByte of display memory
 011 = First destination memory address is in the 4th MByte of display memory

This field supersedes bits 1-0 of BEE8H, Index E if any of these 3 bits are set to 1.

Bit 3 Reserved

Bits 6-4 SRC-BASE - Source Base Address
 000 = First source memory address is in the 1st MByte of display memory
 001 = First source memory address is in the 2nd MByte of display memory
 010 = First source memory address is in the 3rd MByte of display memory
 011 = First source memory address is in the 4th MByte of display memory

This field supersedes bits 3-2 of BEE8H, Index E if any of these three bits are set to 1.

Bits 11-7 Reserved

Bits 15-12 INDEX = 0DH

**Multifunction Control Miscellaneous Register (MULT_MISC)**

Write Only

Address: BEE8H, Index 0EH

Power-On Default: E000H

15	14	13	12	11	10	9	8	7	6	5	4	3	2	1	0
				R	R	CMR 32B	ENB CMP	SRC NE	SLW RM	EXT CLIP	RSF	SRC-BA 21 20		DEST-BA 21 20	
1	1	1	0												

Bits 1–0 DEST-BA 21 20 - Destination Base Address Bits 21-20

- 00 = First destination memory address is in the 1st MByte of display memory
- 01 = First destination memory address is in the 2nd MByte of display memory
- 10 = First destination memory address is in the 3rd MByte of display memory
- 11 = First destination memory address is in the 4th MByte of display memory

This field is superseded by bits 2-0 of BEE8H if any of the BEE8H bits is set to 1.

Bits 3–2 SRC-BA 21 20 - Source Base Address Bits 21-20

- 00 = First source memory address is in the 1st MByte of display memory
- 01 = First source memory address is in the 2nd MByte of display memory
- 10 = First source memory address is in the 3rd MByte of display memory
- 11 = First source memory address is in the 4th MByte of display memory

This field is superseded by bits 6-4 of BEE8H if any of the BEE8H bits is set to 1.

Bit 4 RSF - Select Upper Word in 32 Bits/Pixel Mode

- 0 = Selects lower 16 bits for accesses to 32-bit registers in 32 bpp mode
- 1 = Selects upper 16 bits for accesses to 32-bit registers in 32 bpp mode

Bit 5 EXT CLIP - Enable External Clipping

- 0 = Only pixels inside the clipping rectangle are drawn
- 1 = Only pixels outside the clipping rectangle are drawn

Bit 6 SLW RMW - Select Slow Read/Modify/Write Cycle

- 0 = Fast Read/Modify/Write Cycle
- 1 = Slow Read/Modify/Write Cycle

When the Graphics Engines does a raster operation involving current screen data, it must do a read/modify/write cycle. For a fast cycle, the read, modify and write each take one MCLK. For a slow cycle, a wait state is inserted so that the entire process requires 4 MCLKs.

Bit 7 SRC NE - Don't Update Bitmap if Source Not Equal to Color Compare Color

- 0 = Don't update current bitmap if the Color Compare (B2E8) register value is equal to the color value of the source bitmap
- 1 = Don't update current bitmap if the Color Compare (B2E8) register value is not equal to the color value of the source bitmap

This bit is only active if bit 8 of this register is set to 1.



Bit 8 ENB CMP - Enable Color Compare

- 0 = Disable color comparison
- 1 = Enable color comparison

Bit 9 CMR 32B - Select 32-Bit Command Registers

- 0 = Command registers (A2E8H, A6E8H, AAE8H, AEE8H, B2E8H) are 16-bit
- 1 = Command registers (A2E8H, A6E8H, AAE8H, AEE8H, B2E8H) are 32-bit. Byte and word accesses cannot be made.

Bits 11-10 Reserved = 0

Bits 15-12 INDEX = 0EH

Read Register Select Register (READ_SEL)

Write Only Address: BEE8H, Index 0FH
Power-On Default: Undefined

15	14	13	12	11	10	9	8	7	6	5	4	3	2	1	0
1	1	1	1	R	R	R	R	R	R	R	R	READ-REG-SEL			

Bits 2-0 READ-REG-SEL - Read Register Select

When BEE8H is read, the value returned is determined by this read register index according to the following:

- 0000 = BEE8H, Index 0H
- 0001 = BEE8H, Index 1H
- 0010 = BEE8H, Index 2H
- 0011 = BEE8H, Index 3H
- 0100 = BEE8H, Index 4H
- 0101 = BEE8H, Index 0AH
- 0110 = BEE8H, Index 0EH
- 0111 = 9AE8H (Bits 15-13 of the read data are forced to 0)
- 1000 = 42E8H (Bits 15-12 of the read data are forced to 0)
- 1001 = 46E8H
- 1010 = BEE8H, Index 0DH

The read register index increments by one with each reading of BEE8H.

Bits 11-4 Reserved

Bits 15-12 INDEX = 0FH



Pixel Data Transfer Register (PIX_TRANS)

Write Only Address: E2E8H
Power-On Default: Undefined

All data to the Graphics Engine must pass through this register.

15	14	13	12	11	10	9	8	7	6	5	4	3	2	1	0
IMAGE WRITE DATA															

Bits 15-0 IMAGE WRITE DATA

Pixel Data Transfer - Extension Register (PIX_TRANS_EXT)

Write Only Address: E2EAH
Power-On Default: Undefined

This register is an extension of E2E8H for 32-bit operations.

15	14	13	12	11	10	9	8	7	6	5	4	3	2	1	0
IMAGE WRITE DATA															

Bits 15-0 IMAGE WRITE DATA



Section 19: PCI Register Descriptions

The PCI specification defines a configuration register space. These registers allow device relocation, device independent system address map construction and automatic configurations. The Vision864 provides a subset of these registers, which are described below.

The configuration register space occupies 256 bytes. When a configuration read or write command is issued, the AD[7:0] lines contain the address of the register in this space to be accessed. The Vision864 supports or returns 0 for the first 64 bytes of this space.

In the following register descriptions, 'R' stands for reserved (write = 0, read = undefined). See Appendix A for a table listing each of the registers in this section and its page number.

Vendor ID

Read Only Address: 00H
Power-On Default: 5333H

This read-only register identifies the device manufacturer.

15	14	13	12	11	10	9	8	7	6	5	4	3	2	1	0
Vendor ID															

Bits 15-0 Vendor ID
This is hardwired to 5333H to identify S3 Incorporated.



Device ID

Read Only Address: 02H
Power-On Default: 88C0H or 88C1H

This read-only register identifies the device.

15	14	13	12	11	10	9	8	7	6	5	4	3	2	1	0
Device ID															

Bits 15-0 Device ID
88C0H or 88C1H

Command

Read/Write Address: 04H
Power-On Default: 0000H

This register controls which types of PCI cycles the Vision864 can generate and respond to.

15	14	13	12	11	10	9	8	7	6	5	4	3	2	1	0
R	R	R	R	R	R	R	R	R	R	DAC RSP	R	R	R	MEM	I/O

Bit 0 I/O - Enable Response to I/O Accesses
0 = Response to I/O space accesses is disabled
1 = Response to I/O space accesses enabled

Bit 1 MEM - Enable Response to Memory Accesses
0 = Response to memory space accesses is disabled
1 = Response to memory space accesses enabled

Bits 4-2 Reserved

Bit 5 DAC RSP - No Response to RAMDAC Register Accesses
0 = Vision864 responds to RAMDAC register accesses
1 = Vision864 does not respond to RAMDAC register accesses

Bits 15-6 Reserved



Status

Read/Write Address: 06H
Power-On Default: 0200H

15	14	13	12	11	10	9	8	7	6	5	4	3	2	1	0
R	R	R	R	R	DEVSEL	Reserved									

Bits 8-0 Reserved

Bits 10-9 DEVSEL - Device Select Timing
01 = Medium DEVSEL timing. (hardwired)

Bits 15-11 Reserved

Revision ID

Read/Write Address: 08H
Power-On Default: Stepping Dependent

This register contains the revision level of the Vision864.

7	6	5	4	3	2	1	0
REVISION ID							

Bits 7-0 REVISION ID

Programming Interface

Read/Write Address: 0AH
Power-On Default: 01H

7	6	5	4	3	2	1	0
R	R	R	R	R	R	R	VGA

Bit 0 VGA
1 = The Vision864 supports the standard VGA programming interface. (hardwired)

Bits 7-1 Reserved

**Base Address 0**

Read/Write Address: 12H (high) 10H (low)
 Power-On Default: 0000 0000H

This is a 32-bit register in PCI configuration space that provides for address relocation. The Vision864 maps the upper 9 bits of the register to the Linear Address Window Position registers CR59-CR5A. Bit 23 maps to bit 7 of CR5A and bits [31:24] map to bits 7-0 of CR59. Consequently, these bits map to system address bits [31:23].

15	14	13	12	11	10	9	8	7	6	5	4	3	2	1	0
R	R	R	R	R	R	R	R	R	R	R	R	PREF = 0	TYPE =00		MSI = 0

31	30	29	28	27	26	25	24	23	22	21	20	19	18	17	16
BASE ADDRESS 0									R	R	R	R	R	R	R

Bit 0 MSI - Memory Space Indicator
 0 = Base registers map into memory space (hardwired)

Bits 2-1 TYPE - Type of Address Relocation
 00 = Locate anywhere in 32-bit address space (hardwired)

Bit 3 PREF - Prefetchable
 0 = Does not meet the prefetchable requirements (hardwired)

Bits 22-4 Reserved

Bits 31-23 BASE ADDRESS 0
 See the description for the Linear Address Window Position registers (CR59, CR5A).
 Writes to CR59 and CR5A will also update this field.



BIOS ROM Base Address

Read/Write Address: 32H (high) 30H (low)
Power-On Default: 000C 0000H

This is a 32-bit register in PCI configuration space that provides for video BIOS ROM address relocation.

15	14	13	12	11	10	9	8	7	6	5	4	3	2	1	0
R	R	R	R	R	R	R	R	R	R	R	R	R	R	R	ADE

31	30	29	28	27	26	25	24	23	22	21	20	19	18	17	16
BIOS ROM BASE ADDRESS															

Bit 0 ADE - Address Decode Enable
0 = Accesses to the BIOS ROM address space defined in this register are disabled
1 = Accesses to the BIOS ROM address space defined in this register are enabled

Bits 15-1 Reserved

Bits 31-16 BIOS ROM BASE ADDRESS
These are the upper 16 bits of the BIOS ROM address.



Appendix A: Register Reference

This Appendix contains tables listing all the registers in each of categories corresponding to Sections 12-19 of this data book.

- CGA-Compatible
- MDA- and HGC- Compatible
- VGA
- S3 VGA
- System Control
- System Extension
- Enhanced Commands
- PCI Configuration Space

Within each table, registers are listed in order of increasing addresses/indices. Name, address, register bit descriptions with read/write status and the page number of the detailed register description are provided for each register. All addresses and indices are hexadecimal values.



A.1 CGA-COMPATIBLE REGISTERS

Table A-1. CGA-Compatible Registers

Address	Index Bit(s)	R/W	Register Name Bit Description	Description Page
3D5	10		Light Pen High	12-1
	5-0	R	High 6 bits of light pen strobe address	
	7-6		Undefined	
3D5	11		Light Pen Low	12-1
		R	Low byte of light pen strobe address	
3D8			CGA Mode Control	12-2
	0	R/W	Select high resolution (80x25) text	
	1	R/W	Select graphics mode	
	2	R/W	Select black/white mode	
	3	R/W	Enable video output	
	4	R/W	Enable high resolution (640x200) graphics mode	
	5	R/W	Enable text blinking	
	7-6	R/W	Reserved	
3D9			CGA Color Select	12-3
	0	R/W	Select blue border	
	1	R/W	Select green border	
	2	R/W	Select red border	
	3	R/W	Select intensified border	
	4	R/W	Select background in alpha, high intensity in graphics	
	5	R/W	Select color set in 320x200 mode	
	7-6	R/W	Reserved	
3DA			CGA Status	12-4
	0	R	Border/blanking active (horizontal sync)	
	1	R	Light pen latch triggered	
	2	R	Reserved = 1 (light pen switch open)	
	3	R	Vertical sync active	
		7-4	R	
3DB			Reset Light Pen Flag	12-5
	7-0	W	Reset light pen flag	
3DC			Set Light Pen Flag	12-5
	7-0	W	Set light pen flag	



A.2 MD- AND HGC-COMPATIBLE REGISTERS

Table A-2. MDA- and HGC-Compatible Registers

Address	Index Bit(s)	R/W	Register Name Bit Description	Description Page
3B5	10		Light Pen High	12-1
	5-0	R	High 6 bits of the light pen strobe address	
	7-6	R	Undefined	
3B5	11		Light Pen Low	12-1
	7-0	R	Low byte of the light pen strobe address	
3B8			MDA-Mode Control	13-1
	2-0	R/W	Reserved	
	3	R/W	Enable video output	
	4	R/W	Reserved	
	5	R/W	Enable text blinking	
	7-6	R/W	Reserved	
3B8			HGC-Mode Control	13-2
	0	R/W	Reserved	
	1	R/W	Enable graphics mode (720x348)	
	2	R/W	Reserved	
	3	R/W	Enable video output	
	4	R/W	Reserved	
	5	R/W	Enable text blinking	
	6	R/W	Reserved	
	7	R/W	Select Hercules graphics video page 1 (B8000H)	
3B9			HGC-Set Light Pen Flag	13-3
	7-0	W	Set light pen flag	
3BA			HGC Status	13-3
	0	R	Border/blanking active (horizontal sync)	
	1	R	Light pen flag on	
	2	R	Reserved = 1	
	3	R	Black/white video enabled	
	6-4	R	Reserved = 1	
	7	R	Vertical sync active	
3BA			MDA Status	13-4
	0	R	Border/blank active (horizontal sync)	
	2-1	R	Reserved = 1	
	3	R	Black/white video enabled	
	7-4	R	Reserved = 1	



Table A-2. MDA- and HGC-Compatible Registers (continued)

Add ress	Index Bit(s)	R/W	Register Name Bit Description	Description Page
3BB			Reset Light Pen Flag	13-4
	7-0	W	Reset light pen flag	
3BF		R/W	HGC Configuration	13-4
	0	W	Graphics mode allowed	
	1	W	Unlock bit 7 of Hercules Mode register (upper memory page)	
	7-2	W	Undefined	

A.3 VGA REGISTERS

? = B for monochrome, D for color.

Table A-3. VGA Registers

Add ress	Index Bit(s)		Register Name Bit Description	Description Page
General or External Registers				
3C2			Miscellaneous Output	14-1
	0	W	Color emulation. Address based at 3Dx	
	1	W	Enable CPU access of video memory	
	3-2	W	Video (DCLK) select. See also bits 3-0 of CR42	
	4	W	Reserved	
	5	W	Select the high 64K page of memory	
	6	W	Make HSYNC an active low signal	
	7	W	Make VSYNC an active low signal	
3CC			Miscellaneous Output	14-1
	0	R	Color emulation. Address based at 3Dx	
	1	R	Enable CPU access of video memory	
	3-2	R	Video (DCLK) select. See also bits 3-0 of CR42	
	4	R	Reserved	
	5	R	Select the high 64K page of memory	
	6	R	Make HSYNC an active low signal	
	7	R	Make VSYNC an active low signal	
37A			Feature Control	14-2
	2-0	W	Reserved	
	3	W	VSYNC is ORed with the internal display enable signal	
	7-4	W	Reserved	
3CA			Feature Control	14-2
	2-0	R	Reserved	
	3	R	VSYNC is ORed with the internal display enable signal	
	7-4	R	Reserved	



Table A-3. VGA Registers (continued)

Address	Index Bit(s)	R/W	Register Name Bit Description	Description Page
3C2			Input Status 0	14-3
	3-0	R	Reserved	
	4	R	The SENSE/BREQ input is a logical 1	
	6-5	R	Reserved	
	7	R	Vertical retrace interrupt to the CPU is pending	
37A			Input Status 1	14-3
	0	R	The display is not in active display mode	
	1	R	Light pen has been triggered	
	2	R	Reserved	
	3	R	Vertical retrace period is active	
	5-4	R	Feedback of two color outputs for test purposes	
	7-6	R	Reserved	
Sequencer Registers				
3C4			Sequencer Index	14-4
	7-0	R/W	Index to the sequencer register to be accessed	
3C5			Sequencer Data	14-5
	7-0	R/W	Data to or from the accessed sequencer register accessed	
3C5	00		Reset (SR0)	14-5
	0	R/W	Asynchronous reset (not functional for the Vision864)	
	1	R/W	Synchronous reset (not functional for the Vision864)	
	7-2	R/W	Reserved	
3C5	01		Clocking Mode (SR1)	14-6
	0	R/W	Character clocks are 8 dots wide	
	1	R/W	Reserved	
	2	R/W	Load the video serializers every second character clock	
	3	R/W	The internal dot clock is 1/2 the DCLK frequency	
	4	R/W	Load the video serializers every fourth character clock	
	5	R/W	Screen is turned off	
3C5	02		Enable Write Plane (SR2)	14-6
	3-0	R/W	Enables a CPU write to the corresponding color plane	
	7-4	R/W	Reserved	
3C5	03		Character Font Select (SR3)	14-7
	4, 1-0	R/W	Primary text mode character select	
	5,3-2	R/W	Secondary text mode character select	
	7-6	R/W	Reserved	



Table A-3. VGA Registers (continued)

Address	Index Bit(s)	R/W	Register Name Bit Description	Description Page
3C5	04		Memory Mode Control (SR4)	14-8
	0	R/W	Reserved	
	1	R/W	Memory access to 256K allowed (required for VGA)	
	2	R/W	Sequential addressing for CPU video memory accesses	
	3	R/W	Module 4 addressing for CUP video memory accesses	
	7-4	R/W	Reserved	
3C5	08		Unlock Extended Sequencer (SR8)	14-9
	7-0	R/W	Load xxxx0110b to unlock SRD	
3C5	0D		Extended Sequencer (SRD)	14-9
	3-0	R/W	Reserved	
	5-4	R/W	HSYNC control for Green PC requirements	
	7-6	R/W	VSYNC control for Green PC requirements	
CRT Controller Registers				
374			CRT Controller Index	14-10
	7-0	R/W	Index to the CRTC register to be accessed	
375			CRT Controller Data	14-10
	7-0	R/W	Data to or from the CRTC register accessed	
375	00		Horizontal Total (CR0)	14-11
	7-0	R/W	Number of characters in a line -5	
375	01		Horizontal Display End (CR1)	14-11
	7-0	R/W	One less than the total number of displayed characters	
375	02		Start Horizontal Blank (CR2)	14-12
	7-0	R/W	Character count where horizontal blanking starts	
375	03		End Horizontal Blank (CR3)	14-12
	4-0	R/W	End position of horizontal blanking	
	6-5	R/W	Display enable skew in character clocks	
	7	R/W	Reserved	
375	04		Start Horizontal Sync Position (CR4)	14-13
	7-0	R/W	Character count where HSYNC goes active	
375	05		End Horizontal Sync Position (CR5)	14-13
	4-0	R/W	Position where HSYNC goes inactive	
	6-5	R/W	Horizontal retrace end delay in character clocks	
	7	R/W	End horizontal blanking bit 5	
375	06		Vertical Total (CR6)	14-14
	7-0	R/W	Number of lines - 2	



Table A-3. VGA Registers (continued)

Add ress	Index Bit(s)	R/W	Register Name	Description	Page
			Bit Description		
375	07		CRTC Overflow (CR7)		14-14
		0	R/W	Vertical total bit 8	
		1	R/W	Vertical display end bit 8	
		2	R/W	Vertical retrace start bit 8	
		3	R/W	Start vertical blank bit 8	
		4	R/W	Line compare bit 8	
		5	R/W	Vertical total bit 9	
		6	R/W	Vertical display end bit 9	
375	08		Preset Row Scan (CR8)		14-15
		4-0	R/W	Line where first character row begins	
		6-5	R/W	Number of bytes to pan horizontally	
		7	R/W	Reserved	
375	09		Maximum Scan Line (CR9)		14-15
		4-0	R/W	Character height in scan lines -1	
		5	R/W	Start vertical blank bit 9	
		6	R/W	Line compare bit 9	
375	0A		Cursor Start Scan Line (CRA)		14-16
		4-0	R/W	Cursor starting line within the character cell	
		5	R/W	Turns off the cursor	
375	0B		Cursor End Scan Line (CRB)		14-16
		4-0	R/W	Cursor ending line within the character cell	
		6-5	R/W	Cursor skew to right in characters	
375	0C		Start Address High (CRC)		14-17
		7-0	R/W	Bits 15-8 of the display start address	
		375	0D		
7-0	R/W	Bits 7-0 of the display start address			
375	0E		Cursor Location Address High (& Hardware Cursor Foreground Color in Enhanced Mode) (CRE)		14-17
		7-0	R/W	Bits 15-8 of the cursor location start address. For 4/8 bit Enhanced modes with an 8-bit DAC, this specifies the hardware cursor foreground color.	
375	0F		Cursor Location Address Low (& Hardware Cursor Background Color in Enhanced Mode) (CRF)		14-18
		7-0	R/W	Bits 7-0 of the cursor location start address. For 4/8 bit Enhanced modes with an 8-bit DAC, this specifies the hardware cursor background color.	



Table A-3. VGA Registers (continued)

Address	Index Bit(s)	R/W	Register Name Bit Description	Description Page
375	10		Vertical Retrace Start (CR10)	14-18
	7-0	R/W	Vertical retrace start in scan lines	
375	11		Vertical Retrace End (CR11)	14-18
	3-0	R/W	Vertical retrace end in scan lines	
	4	R/W	Clear the vertical retrace interrupt flip-flop	
	5	R/W	Disable vertical interrupts	
	6	R/W	Five RAM refresh cycles per horizontal line	
	7	R/W	Lock writes to CR0-CR7	
375	12		Vertical Display End (CR12)	14-19
	7-0	R/W	Number of scan lines of active video	
375	13		Offset (CR13)	14-20
	7-0	R/W	Memory start address jump from one scan line to the next	
375	14		Underline Location (CR14)	14-20
	4-0	R/W	Horizontal scan line where underline occurs	
	5	R/W	Memory address counter increment is 4 character clocks	
	6	R/W	Memory accessed as doublewords	
	7	R/W	Reserved	
375	15		Start Vertical Blank (CR15)	14-21
	7-0	R/W	Horizontal scan line where vertical blanking starts	
375	16		End Vertical Blank (CR16)	14-21
	7-0	R/W	Horizontal scan line where vertical blanking ends	
375	17		CRTC Mode Control (CR17)	14-22
	0	R/W	Enable bank 2 mode for CGA emulation	
	1	R/W	Enable bank 4 mode for CGA emulation	
	2	R/W	Use horizontal retrace clock divided by 2	
	3	R/W	Enable count by 2 mode	
	4	R/W	Reserved	
	5	R/W	Enable CGA mode address wrap	
	6	R/W	Use byte address mode	
	7	R/W	Horizontal and vertical retrace signals enabled	
375	18		Line Compare (CR18)	14-23
	7-0	R/W	Line at which memory address counter cleared to 0	
375	22		CPU Latch Data (CR22)	14-24
	7-0	R	Value in the CPU latch in the graphics controller	
375	24,26		Attribute Controller Flag/Index	14-24
	5-0	R	Value of the attribute controller index data at 3C0H	
	6	R	Reserved	
	7	R	State of inverted internal address flip-flop	



Table A-3. VGA Registers (continued)

Address	Index Bit(s)	R/W	Register Name Bit Description	Description Page
Graphics Controller Registers				
3CE			Graphics Controller Index	14-25
	3-0	R/W	Index to the graphics controller register to be accessed	
	7-4	R/W	Reserved	
3CF			Graphics Controller Data	14-25
	7-0	R/W	Data to or from the graphics controller register accessed	
3CF	00		Set/Reset (GR0)	14-26
	3-0	R/W	Color value for CPU memory writes	
	7-4	R/W	Reserved	
3CF	01		Enable Set/Reset (GR1)	14-26
	3-0	R/W	Enable planes for writing GR0 data	
	7-4	R/W	Reserved	
3CF	02		Color Compare (GR2)	14-27
	3-0	R/W	Reference color for color compare operations	
	7-4	R/W	Reserved	
3CF	03		Raster Operation/Rotate Counter (GR3)	14-27
	2-0	R/W	Number of right rotate positions for a CPU memory write	
	4-3	R/W	Select raster operation (logical function)	
	7-5	R/W	Reserved	
3CF	04		Read Plane Select (GR4)	14-28
	1-0	R/W	Select planes for reading	
	7-2	R/W	Reserved	
3CF	05		Graphics Controller Mode (GR5)	14-29
	1-0	R/W	Select write mode	
	2	R/W	Reserved	
	3	R/W	Enable read compare operation	
	4	R/W	Select odd/even addressing	
	5	R/W	Select odd/even shift mode	
	6	R/W	Select 256 color shift mode	
	7	R/W	Reserved	
3CF	06		Memory Map Mode Control (GR6)	14-30
	0	R/W	Select graphics mode memory addressing	
	1	R/W	Chain odd/even planes	
	3-2	R/W	Select memory mapping	
	7-4	R/W	Reserved	
3CF	07		Color Don't Care (GR7)	14-31
	3-0	R/W	Select color plane used for color comparison	
	7-4	R/W	Reserved	



Table A-3. VGA Registers (continued)

Add ress	Index Bit(s)	R/W	Register Name Bit Description	Description Page
3CF	08		Bit Mask (GR8)	14-31
	7-0	R/W	Each bit is a mask for the corresponding memory plane bit	
Attribute Registers				
3C0			Attribute Controller Index	14-32
	4-0	R/W	Index to the attribute controller register to be accessed	
	5	R/W	Enable video display	
	7-6	R/W	Reserved	
3C1/0			Attribute Controller Data	14-33
	7-0	R/W	Data to or from the attribute controller register accessed	
3C1/0	00-0F		Palette Register (AR0-ARF)	14-33
	5-0	R/W	Color value	
	7-6	R/W	Reserved	
3C1/0	10		Attribute Mode Control (AR10)	14-34
	0	R/W	Select graphics mode	
	1	R/W	Select monochrome display	
	2	R/W	Enable line graphics characters	
	3	R/W	Enable blinking	
	4	R/W	Reserved	
	5	R/W	Enable top panning	
	6	R/W	Select 256 color mode	
	7	R/W	Bits 5-4 of video output come from AR14_1-0	
3C1/0	11		Border Color (AR11)	14-35
	7-0	R/W	Border color value	
3C1/0	12		Color Plane Enable (AR12)	14-35
	3-0	R/W	Display plane enable	
	5-4	R/W	Select inputs to bits 5-4 of 3?AH	
	7-6	R/W	Reserved	
3C1/0	13		Horizontal Pixel Panning (AR13)	14-36
	3-0	R/W	Number of pixels to shift the display to the left	
	7-4	R/W	Reserved	
3C1/0	14		Pixel Padding (AR14)	14-37
	1-0	R/W	Bits 5-4 of the video output if AR10_7 = 1	
	3-2	R/W	Bits 7-6 of the video output	
	7-4	R/W	Reserved	
Setup Registers				
102			Setup Option Select	14-38
	0	R/W	Chip responds to commands, addresses and data	
	7-1	R/W	Reserved	



Table A-3. VGA Registers (continued)

Add ress	Index Bit(s)	R/W	Register Name Bit Description	Description Page
46E8			Video Subsystem Enable	14-39
	2-0	W	Reserved	
	3	W	Enable video I/O and memory address decoding	
	4	W	Put chip in setup mode	
	7-5	W	Reserved	
RAMDAC Registers				
3C6			DAC Mask	14-40
	7-0	R/W	Pixel read mask	
3C7			DAC Read Index	14-40
	7-0	W	Index to palette register to be read	
3C7			DAC Status	14-41
	1-0	R	Shows whether previous DAC cycle was a read or write	
	7-2	R	Reserved	
3C8			DAC Write Index	14-41
	7-0	R/W	Index to palette register to be written or General Input Port read data	
3C9			DAC Data	14-42
	7-0	R/W	Data from register pointed to by DAC Read or Write Index	



A.4 S3 VGA REGISTERS

The Vision864 has additional registers to extend the functions of basic VGA. These registers are located in CRT Controller address space at locations not used by IBM. All of these registers are read/write protected at power-up by hardware reset. In order to read/write these registers, the Register Lock 1 register (CR38) must be loaded with a binary unlock key pattern (see the register description). The registers will remain unlocked until the key pattern is reset. ? = B for monochrome, D for color.

The additional VGA registers are described in the following table:

Table A-4. S3 VGA Registers

Add ress	Index Bit(s)	R/W	Register Name Bit Description	Description Page
375	30		Chip ID/Rev (CR30)	15-1
	3-0	R	Chip revision status (stepping)	
	7-4	R	Chip Identification	
375	31		Memory Configuration (CR31)	15-1
	0	R/W	Enable base address offset (CR6A_6-0)	
	1	R/W	Enable two-page screen image	
	2	R/W	Enable VGA 16-Bit Memory Bus Width	
	3	R/W	Use Enhanced mode memory mapping	
	5-4	R/W	Old display start address bits 17-16 (see CR69_3-0)	
	6	R/W	Enable high speed text display font fetch mode	
	7	R/W	Reserved	
375	32		Backward Compatibility 1 (CR32)	15-2
	1-0	R/W	Force 7 or 9 dot clocks/character clock	
	2	R/W	Force character clock to high rate (not 1/2 dot clock)	
	3	R/W	Enable backward compatibility modes (CGA, MDA, HGC)	
	5-4	R/W	Reserved	
	6	R/W	Use standard VGA memory wrapping at 256K boundary	
	7	R/W	Reserved	
375	33		Backward Compatibility 2 (CR33)	15-3
	0	R/W	Reserved	
	1	R/W	Disable write protection provided by CR11_7 on CR7_1,6	
	2	R/W	Reserved	
	3	R/W	VCLK is inverted DCLK	
	4	R/W	Disable writes to RAMDAC registers (3C6H-3C9H)	
	5	R/W	BLANK signal active during entire non-active video period	
	6	R/W	Disable writes to Palette/Overscan registers (AR0-ARF)	
	7	R/W	Override 3D8H_3 video enable to eliminate flicker	



Table A-4. S3 VGA Registers (continued)

Add ress	Index Bit(s)	R/W	Register Name Bit Description	Description Page
375	34		Backward Compatibility 3 (CR34)	15-4
	3-0	R/W	Reserved	
	4	R/W	Enable Display Start FIFO Fetch register (CR3B)	
	5	R/W	Lock SR1_0 to fix selection of 8/9 dots/character	
	6	R/W	Reserved	
	7	R/W	Lock 3C2H_3-2 to fix DCLK frequency	
375	35		CRT Register Lock (CR35)	15-5
	3-0	R/W	Old CPU base address (see CR6A_6-0)	
	4	R/W	Lock Vertical Timing registers	
	5	R/W	Lock Horizontal Timing registers	
	7-6	R/W	Reserved	
375	36		Configuration 1 (CR36)	15-7
	1-0	R	Select System bus (PCI or VL-Bus)	
	3-2	R/W	Select Memory page mode (fast page or EDO)	
	4	R/W	Enable BIOS ROM accesses (VL-Bus)	
	7-5	R/W	Define display memory size	
375	37		Configuration 2 (CR37)	15-7
	0	R/W	Enable Vision864 operation (VL-Bus)	
	1	R/W	Enable test mode (outputs tri-stated)	
	2	R/W	Select 32K or 64K BIOS ROM size	
	3	R/W	Select dual $\overline{\text{CAS}}$ or dual $\overline{\text{WE}}$ DRAMs	
	4	R/W	Define RAMDAC write snooping (VL-Bus)	
	7-5	R/W	Specify monitor information	
375	38		Register Lock 1 (CR38)	15-9
	7-0	R/W	Unlock S3 VGA registers (CR30-CR3C)	
375	39		Register Lock 2 (CR39)	15-9
	7-0	R/W	Unlock System Control, System Extension and Strapping registers (CR40-CR4F, CR50-CR6D)	
375	3A		Miscellaneous 1 (CR3A)	15-10
	1-0	R/W	Select alternate refresh count per horizontal line	
	2	R/W	Enable alternate refresh count (CR3A_1-0)	
	3	R/W	Enable simultaneous VGA text and Enhanced modes	
	4	R/W	Enable 8-, 16- or 24/32-bit color Enhanced modes	
	5	R/W	Enable high speed text font writing	
	6	R/W	Reserved	
	7	R/W	Disable PCI bus read burst cycles	



Table A-4. S3 VGA Registers (continued)

Add ress	Index Bit(s)	R/W	Register Name Bit Description	Description Page
375	3B		Start Display FIFO Fetch (CR3B)	15-11
	7-0	R/W	Specify start of display FIFO fetches for screen refreshing	
375	3C		Interlace Retrace Start (CR3C)	15-11
	7-0	R/W	Specify interlaced mode retrace start position	

A.5 SYSTEM CONTROL REGISTERS

System Control registers are configuration registers, mode control registers, and hardware graphics cursor control registers. They are positioned in the same indexed register space as VGA S3 registers. All of these registers are read/write protected at power-up by hardware reset. In order to read/write these registers, the Register Lock 2 register (CR39) must be loaded with a binary unlock key pattern (see the register description). The registers will remain unlocked until the key pattern is reset. ? = B for monochrome, D for color.

The following table summarizes the System Control registers.

Table A-5. System Control Registers

Add ress	Index Bit(s)	R/W	Register Name Bit Description	Description Page
375	40		System Configuration (CR40)	16-1
	0	R/W	Enable Enhanced mode register access	
	3-1	R/W	Reserved	
	4	R/W	Ready Control (VL-Bus)	
	5	R/W	Select write data latch timing (VL-Bus)	
	7-6	R/W	Select A/D bus turnaround non-overlap timing (VL-Bus)	
375	41		BIOS Flag (CR41)	16-2
	7-0	R/W	Used by the video BIOS	
375	42		Mode Control (CR42)	16-2
	3-0	R/W	DCLK select when 3C2H_3-2 are 11b	
	4	R/W	Reserved	
	5	R/W	Select Interlaced mode	
	6	R/W	Reserved	



Table A-5. System Control Registers (continued)

Address	Index Bit(s)	R/W	Register Name Bit Description	Description Page	
375	43		Extended Mode (CR43)	16-3	
		0	R/W		Select 16 bits/pixel double-edge clocking
		1	R/W		Old DAC register select bit 2
		2	R/W		Old logical screen width bit 8
		3	R/W		Reserved
		4	R/W		Enable I/O port accesses at x148H
		6-5	R/W		Reserved
		7	R/W		Enable horizontal counter double mode
375	45		Hardware Graphics Cursor Mode (CR45)	16-3	
		0	R/W		Enable hardware graphics cursor
		1	R/W		Reserved
		3-2	R/W		Select hardware cursor color depth
		4	R/W		Set up space at right of bit map for hardware cursor
7-5	R/W	Reserved			
375	46-47		Hardware Graphics Cursor Origin-X (CR46-CR47)	16-4	
		10-0	R/W		X-coordinate of the hardware cursor left side
	15-11	R/W	Reserved		
375	48-49		Hardware Graphics Cursor Origin-Y (CR48-CR49)	16-5	
		10-0	R/W		Y-coordinate of the hardware cursor upper line
	15-11	R/W	Reserved		
375	4A		Hardware Graphics Cursor Foreground Stack (CR4A)	16-5	
		7-0	R/W		Hardware cursor foreground color (4 registers)
375	4B		Hardware Graphics Cursor Background Stack (CR4B)	16-6	
		7-0	R/W		Hardware cursor background color (4 registers)
375	4C-4D		Hardware Graphics Cursor Start Address (CR4C-CR4D)	16-6	
		12-0	R/W		Hardware cursor start address
	15-13	R/W	Reserved		
375	4E		Hardware Graphics Cursor Pattern Display Start X-Pixel Position (CR4E)	16-7	
		5-0	R/W		Hardware cursor display start x-coordinate
	7-6	R/W	Reserved		
375	4F		Hardware Graphics Cursor Pattern Display Start Y-Pixel Position (CR4F)	16-7	
		5-0	R/W		Hardware cursor display start y-coordinate
	7-6	R/W	Reserved		



A.6 SYSTEM EXTENSION REGISTERS

These registers provide extended system and memory control, external sync control and addressing window control. They are enabled in the same way as the System Control registers via the Register Lock 2 register (CR39). ? = B for monochrome, D for color.

Table A-6. System Extension Registers

Add dress	Index Bit(s)	R/W	Register Name Bit Description	Description Page
375	50		Extended System Cont 1 (CR50)	17-1
	0	R/W	Most significant bit of screen width definition (see bits 7-6)	
	1	R/W	Reserved	
	2	R/W	Enable shared frame buffer memory bus arbitration	
	3	R/W	Reserved	
	5-4	R/W	Pixel length select	
	7-6	R/W	With bit 0, screen width definition	
375	51		Extended System Cont 2 (CR51)	17-2
	1-0	R/W	Old display start address bits 19-18	
	3-2	R/W	Old CPU base address bits 19-18	
	5-4	R/W	Logical screen width bits 9-8	
	7-6	R/W	Reserved	
375	52		Extended BIOS Flag 1 (CR52)	17-3
	7-0	R/W	Used by the video BIOS	
375	53		Extended Memory Cont 1 (CR53)	17-3
	0	R/W	Enable write per bit	
	3-1	R/W	Reserved	
	4	R/W	Enable memory-mapped I/O access	
	5	R/W	Reserved	
	6	R/W	Enable nibble swap	
	7	R/W	Reserved	
375	54		Extended Memory Cont 2 (CR54)	17-4
	2-0	R/W	Reserved	
	7-3	R/W	Specify M parameter	
375	55		Extended DAC Control (CR55)	17-4
	1-0	R/W	DAC register select bit 2 if set to 1, otherwise use CR43_1	
	2	R/W	Enable General Input Port read	
	3	R/W	Reserved	
	4	R/W	Enable X-11 windows hardware cursor mode	
	6-5	R/W	Reserved	
	7	R/W	VCLK output pin is tri-stated	



Table A-6. System Extension Registers (continued)

Address	Index Bit(s)	R/W	Register Name	Description Page	
			Bit Description		
375	56		External Sync Cont 1 (CR56)	17-5	
		0	R/W		Enable remote mode operation (genlocking)
		2-1	R/W		Reserved
		3	R/W		Select vertical counter-only reset sync with genlocking
		4	R/W		Select odd frame after a vertical counter reset
		5	R/W		HSYNC, VSYNC and $\overline{\text{BLANK}}$ become tri-state off
	7-6	R/W	Reserved		
375	57		External Sync Cont 2 (CR57)	17-6	
		3-0	R/W		Vertical reset adjustment from falling edge of VSYNC
	7-4	R/W	Horizontal reset adjustment from falling edge of VSYNC		
375	58		Linear Address Window Control (CR58)	17-6	
		1-0	R/W		Linear addressing window size
		2	R/W		Reserved
		3	R/W		Address latch timing control (VL-Bus)
		4	R/W		Enable linear addressing
	7-5	R/W	Reserved		
375	59-5A		Linear Address Window Position (CR59-5A)	17-7	
		15-0	R/W		Linear addressing window position bits 31-16
375	5B		Extended BIOS Flag 2 (CR5B)	17-8	
		7-0	R/W		Used by the video BIOS
375	5C		General Out Port (CR5C)	17-8	
		3-0	R		Reflection of content of CR42_3-0 (DCLK select bits)
		7-4	R/W		General Output Port
375	5D		Extended Horizontal Overflow (CR5D)	17-9	
		0	R/W		Horizontal total bit 8 (CR0)
		1	R/W		Horizontal display end bit 8 (CR1)
		2	R/W		Start horizontal blank bit 8 (CR2)
		3	R/W		$\overline{\text{BLANK}}$ pulse extended by 64 DCLKs
		4	R/W		Start horizontal sync position bit 8 (CR4)
		5	R/W		HSYNC pulse extended by 32 DCLKs
		6	R/W		Start FIFO Fetch bit 8 (CR3B)
7	R/W	Bus grant terminate position bit 8 (CR5F)			



Table A-6. System Extension Registers (continued)

Add ress	Index Bit(s)	R/W	Register Name Bit Description	Description Page	
375	5E		Extended Vertical Overflow (CR5E)	17-9	
		0	R/W		Vertical total bit 10 (CR6)
		1	R/W		Vertical display end bit 10 (CR12)
		2	R/W		Start vertical blank bit 10 (CR15)
		3	R/W		Reserved
		4	R/W		Vertical retrace start bit 10 (CR10)
		5	R/W		Reserved
		6	R/W		Line compare position bit 10 (CR18)
	7	R/W	Reserved		
375	5F		Bus Grant Termination Position (CR5F)	17-10	
		7-0	R/W		Termination position in character clocks for $\overline{\text{BGNT}}$ signal
375	60		Extended Memory Control 3 (CR60)	17-10	
		7-0	R/W		Specify N parameter
375	61		Extended Memory Control 4 (CR61)	17-11	
		2-0	R/W		Specify bits 10-8 of the L parameter (CR62)
		6-3	R/W		Reserved
		7	R/W		Enable display fetch length (L parameter) control
375	62		Extended Memory Control 5 (CR62)	17-11	
		7-0	R/W		Specify bits 7-0 of the L parameter
375	63		External Sync Delay Adjust High (CR63)	17-12	
		3-0	R/W		VSYNC reset adjustment - upper 4 bits
			R/W		HSYNC reset adjustment - upper 4 bits
375	64		Genlocking Adjustment (CR64)	17-12	
		2-0	R/W		Horizontal counter dot addition adjustment
		3	R/W		Enable for bits 2-0
		6-4	R/W		Character clock phase adjustment
		7	R/W		Enable for bits 6-4
375	65		Extended Miscellaneous Control (CR65)	17-13	
		1-0	R/W		Reserved
		2	R/W		Enable 3C3H port for video subsystem setup
		7-3	R/W		Reserved
375	66		Extended Miscellaneous Control 1 (CR66)	17-13	
		2-0	R/W		VCLK = fractions of DCLK
		5-3	R/W		Reserved
		6	R/W		PA[15:0] are tri-stated off
		7	R/W		Enable PCI bus disconnect



Table A-6. System Extension Registers (continued)

Address	Index Bit(s)	R/W	Register Name	Description Page	
			Bit Description		
375	67		Extended Miscellaneous Control 2 (CR67)	17-14	
		0	R/W		VCLK is in phase with DCLK
		3-1	R/W		Reserved
		7-4	R/W		Select 16-bit RAMDAC color mode
375	68		Configuration 3 (CR68)	17-15	
		1-0	R/W		CAS, WE and OE stretch time selection
		3-2	R/W		Memory address depth select
		5-4	R/W		RAS low timing select
		7-6	R/W		RAS precharge timing select
375	69		Extended System Control 3 (CR69)	17-16	
		4-0	R/W		Display start address bits 19-16
		7-5	R/W		Reserved
375	6A		Extended System Control 4 (CR6A)	17-16	
		5-0	R/W		CPU base address bits 19-14
		7-6	R/W		Reserved
375	6B		Extended BIOS Flag 3 (CR6B)	17-17	
		7-0	R/W		Used by the video BIOS
375	6C		Extended BIOS Flag 4 (CR6C)	17-17	
		7-0	R/W		Used by the video BIOS
375	6D		Extended Miscellaneous Control (CR6D)	17-17	
		2-0	R/W		Number of DCLK periods to delay BLANK
		7-3	R/W		Reserved



A.7 ENHANCED COMMANDS REGISTERS

This section lists the registers which support the Vision864 enhanced drawing functions. All of these registers are byte or word-addressed and are enabled only if bit 0 of the System Configuration register (CR40) is set to 1.

Table A-7. Enhanced Commands Registers

Add ress	Index Bit(s)	R/W	Register Name Bit Description	Description Page
42E8			Subsystem Status	18-1
	0	R	Vertical sync interrupt status	
	1	R	Graphics Engine busy interrupt status	
	2	R	FIFO overflow interrupt status	
	3	R	FIFO empty interrupt status	
	6-4	R	General Input Port data from power-on strapping	
	7	R	4 or 8 bit planes	
	15-8	R	Reserved	
42E8			Subsystem Control	18-2
	0	W	Clear vertical sync interrupt status	
	1	W	Clear Graphics Engine busy interrupt status	
	2	W	Clear FIFO overflow interrupt status	
	3	W	Clear FIFO empty interrupt status	
	7-4	W	Reserved	
	8	W	Vertical sync interrupt enabled	
	9	W	Graphics Engine busy interrupt enabled	
	10	W	FIFO overflow interrupt enabled	
	11	W	FIFO empty interrupt enabled	
	13-12	W	Reserved	
	15-14	W	Graphics Engine software reset selection	
4AE8			Advanced Function Control	18-3
	0	R/W	Enable Enhanced mode functions	
	1	R/W	Reserved	
	2	R/W	Specify 4 bits/pixel Enhanced mode	
	3	R/W	Reserved	
	4	R/W	Enable linear addressing	
	5	R/W	Enable memory-mapped I/O	
	15-6	R/W	Reserved	
82E8			Current Y Position	18-4
	11-0	R/W	Pixel vertical screen coordinate	
	15-12	R/W	Reserved	
86E8			Current X Position	18-4
	11-0	R/W	Pixel horizontal screen coordinate	
	15-12	R/W	Reserved	



Table A-7. Enhanced Commands Registers (continued)

Address	Index Bit(s)	R/W	Register Name Bit Description	Description Page
8AE8			Destination Y Position/ Axial Step Constant	18-5
	11-0/ 13-0	R/W	Destination Y position for BitBlts and pattern fills/Axial step constant for line draws	
	15-12	R/W	Reserved (Bits 15-14 for step constant)	
8EE8			Destination X Position/ Diagonal Step Constant	18-5
	11-0/ 13-0	R/W	Destination X position for BitBlts and pattern fills/Axial step constant for line draws	
	15-12	R/W	Reserved (Bits 15-14 for step constant)	
92E8			Error Term	18-6
	13-0	R/W	Error term for line draws	
	15-14	R/W	Reserved	
96E8			Major Axis Pixel Count	18-6
	11-0	R/W	Length of the longest axis (pixels - 1)	
	15-12	R/W	Reserved	
9AE8			Graphics Processor Status	18-7
	7-0	R	Low 8 bits of field showing FIFO slots available (see bits 15-11)	
	8	R	Reserved	
	9	R	Graphics Engine busy	
	10	R	All FIFO slots empty	
	5-11	R	High 5 bits of FIFO status (see bits 7-0)	
9AE8			Drawing Command	18-8
	0	W	Reserved	
	1	W	Select across the plane pixel mode	
	2	W	Last pixel will not be drawn	
	3	W	Select radial drawing direction	
	4	W	Draw pixels	
	7-5	W	Select drawing direction	
	8	W	Wait for CPU data	
	10-9	W	Select system bus size	
	11	W	Reserved	
	12	W	Enable byte swap	
	15-13	W	Select command type	
9EE8			Short Stroke Vector Transfer	18-10
	3-0	W	Length of vector 1 (pixels - 1)	
	4	W	Draw pixels	
	7-5	W	Select drawing direction	
	15-8	W	Duplicate of bits 7-0 to define second short stroke vector	
A2E8			Background Color	18-11
	31-0	R/W	Background color value	



Table A-7. Enhanced Commands Registers (continued)

Address	Index Bit(s)	R/W	Register Name Bit Description	Description Page
A6E8			Foreground Color	18-11
	31-0	R/W	Foreground Color value	
AAE8			Bitplane Write Mask	18-12
	31-0	R/W	Each bit enables updating of corresponding bit plane	
AEE8			Bitplane Read Mask	18-12
	31-0	R/W	Each bit enables reading of corresponding bit plane	
B2E8			Color Compare	18-13
	31-0	R/W	Color value to be compared with current bitmap color	
B6E8			Background Mix	18-13
	3-0	W	Select mix type	
	4	W	Reserved	
	6-5	W	Select color source	
	15-7	W	Reserved	
BAE8			Foreground Mix	18-13
	3-0	W	Select mix type	
	4	W	Reserved	
	6-5	W	Select color source	
	15-7	W	Reserved	
BEE8			Read Register Data	18-14
	15-0	R	Data from register selected by bits 2-0 of BEE8H_E	
BEE8	0		Minor Axis Pixel Count	18-15
	11-0	W	Rectangle height (pixels - 1)	
	15-12	W	Reserved	
BEE8	1		Top Scissors	18-15
	11-0	W	Top side of the clipping rectangle	
	15-12	W	Reserved	
BEE8	2		Left Scissors	18-15
	11-0	W	Left side of the clipping rectangle	
	15-12	W	Reserved	
BEE8	3		Bottom Scissors	18-16
	11-0	W	Bottom side of the clipping rectangle	
	15-12	W	Reserved	
BEE8	4		Right Scissors	18-16
	11-0	W	Right side of the clipping rectangle	
	15-12	W	Reserved	



Table A-7. Enhanced Commands Registers (continued)

Add ress	Index Bit(s)	R/W	Register Name Bit Description	Description Page
BEE8	A		Pixel Control	18-16
	5-0	W	Reserved	
	7-6	W	Select mix register	
	11-8	W	Reserved	
	15-12	W	0AH (index)	
BEE8	D		Multifunction Control Miscellaneous 2	18-17
	2-0	W	Destination base address location in memory	
	3	W	Reserved	
	6-4	W	Source base address location in memory	
	11-7	W	Reserved	
	15-12	W	0DH (index)	
BEE8	E		Multifunction Control Miscellaneous	18-18
	1-0	W	Destination base address bits 21-20	
	3-2	W	Source base address bits 21-20	
	4	W	Select upper word for 32-bit register accesses	
	5	W	Only pixels outside the clipping rectangle are drawn	
	6	W	Select slow read/modify/write cycle	
	7	W	Don't update bitmap if source is not equal to color compare color	
	8	W	Enable color comparison	
	9	W	Select 32-bit command registers	
	11-10	W	Reserved	
	15-12	W	0EH (index)	
BEE8	F		Read Register Select	18-19
	2-0	W	Select register to be read	
	11-4	W	Reserved	
	15-12	W	0FH (index)	
E2E8			Pixel Data Transfer	18-14
	15-0	W	Data transfer register (CPU to Graphic Engine) - low word	
E2EA			Pixel Data Transfer-Extension	18-20
	15-0	W	Data transfer register (CPU to Graphic Engine) - high word	



A.8 PCI CONFIGURATION SPACE REGISTERS

When a PCI configuration read or write command is issued, AD[7:0] contain the address of the register in the configuration space to be accessed.

Table A-8. PCI Configuration Space Registers

Add dress	Index Bit(s)	R/W	Register Name Bit Description	Description Page
00			Vendor ID	19-1
	15-0	R	Hardwired to 5333H	
02			Device ID	19-2
	15-0	R	Hardwired to 88C0H	
04			Command	19-2
	0	R/W	Response to I/O space accesses enabled	
	1	R/W	Response to memory space accesses enabled	
	4-2	R/W	Reserved	
	5	R/W	No response to RAMDAC register accesses	
	15-6	R/W	Reserved	
06			Status	19-3
	8-0	R/W	Reserved	
	10-9	R/W	Hardwired to select medium device select timing	
	15-11	R/W	Reserved	
08			Revision ID	
	7-0	R/W	Revision level of the chip (stepping)	
0A			Programming Interface	19-3
	0	R/W	Hardwired to indicate support for standard VGA programming	
	7-1	R/W	Reserved	
10			Base Address 0	19-4
	0	R/W	Hardwired to indicate base registers map into memory space	
	2-1	R/W	Hardwired to allow mapping anywhere in 32-bit address space	
	3	R/W	Hardwired to indicate does not meet prefetchable requirements	
	22-4	R/W	Reserved	
	31-23	R/W	Base address 0	
30			BIOS Base Address	19-5
	0	R/W	Enable access to BIOS ROM address space	
	15-1	R/W	Reserved	
	31-16	R/W	Upper 16 bits of BIOS ROM address	



Section 2: Mechanical Data

2.1 THERMAL SPECIFICATIONS

Parameter	Min	Typ	Max	Unit
Thermal Resistance Θ_{jc}		8		$^{\circ}\text{C}/\text{W}$
Thermal Resistance Θ_{JA} (Still Air)		37		$^{\circ}\text{C}/\text{W}$
Power Dissipation		1.5	1.75	W
Junction Temperature			125	$^{\circ}\text{C}$

2.2 MECHANICAL DIMENSIONS

The Vision864 comes in a 208-pin PQFP package. The mechanical dimensions are given in Figure 2-1.



S3 Incorporated

Vision864 Graphics Accelerator

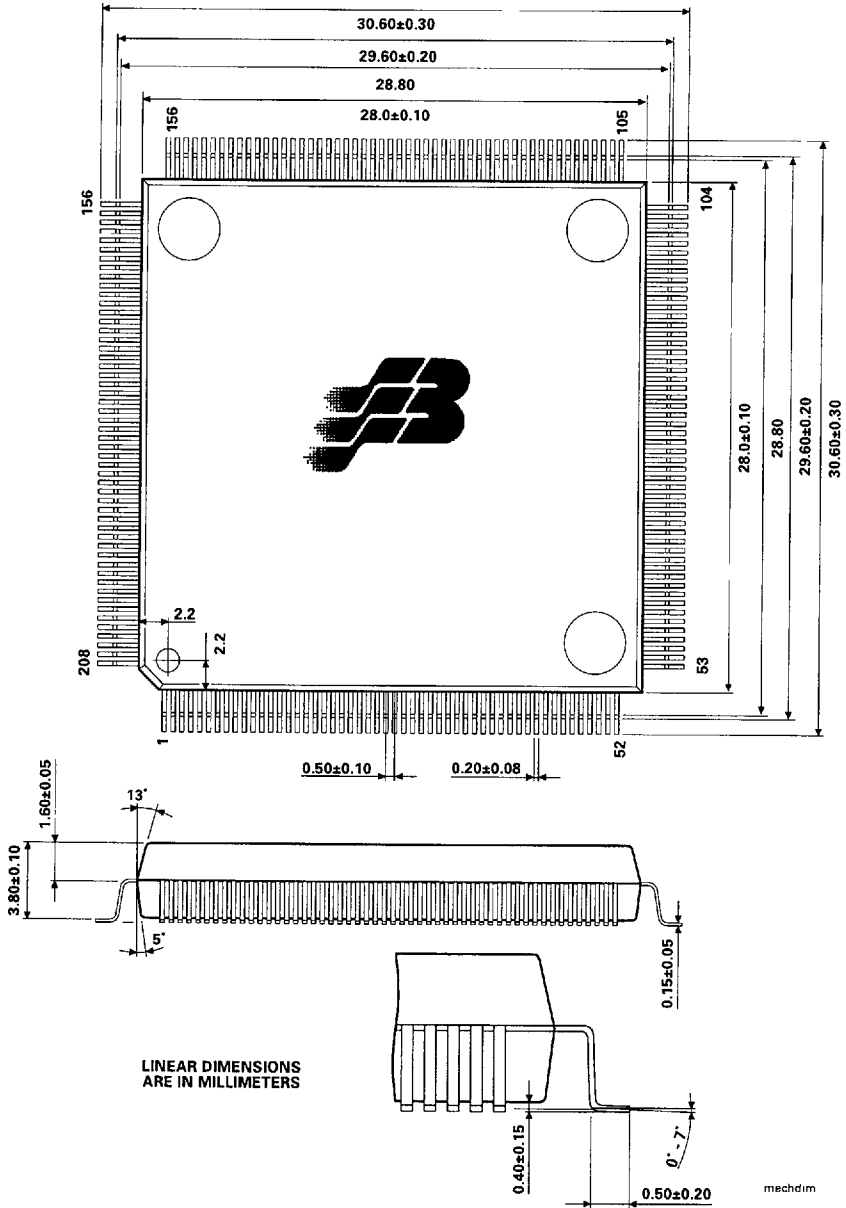


Figure 2-1. 208-pin PQFP Mechanical Dimensions

9005049 0000741 59T

2-2 MECHANICAL DATA