



# Data Sheet

## CLE266

### Version CD/CE

## North Bridge

Revision 2.06  
December 1, 2004

VIA TECHNOLOGIES, INC.

## Copyright Notice:

Copyright © 2002-2004 VIA Technologies Incorporated. All Rights Reserved. No part of this document may be reproduced, transmitted, transcribed, stored in a retrieval system, or translated into any language, in any form or by any means, electronic, mechanical, magnetic, optical, chemical, manual or otherwise without the prior written permission of VIA Technologies Incorporated. The material in this document is for information only and is subject to change without notice. VIA Technologies Incorporated reserves the right to make changes in the product design without reservation and without notice to its users.

Copyright © 2002-2004 S3 Graphics Incorporated. All rights reserved. If you have received this document from S3 Graphics Incorporated in electronic form, you are permitted to make the following copies for business use related to products of S3 Graphics Incorporated: one copy onto your computer for the purpose of on-line viewing, and one printed copy. With respect to all documents, whether received in hard copy or electronic form, other use, copying or storage, in whole or in part, by any means electronic, mechanical, photocopying or otherwise, is not permitted without the prior written consent of S3 Graphics Incorporated. The material in this document is for information only and is subject to change without notice. S3 Graphics Incorporated reserves the right to make changes in the product design without reservation and without notice to its users.

## Trademark Notices:

VT8233A and CLE266 may only be used to identify products of VIA Technologies

C3™ is a registered trademark of VIA Technologies.

Windows XP™, Windows 2000™, Windows ME™, Windows 98™ and Plug and Play™ are registered trademarks of Microsoft Corporation.

PCI™ is a registered trademark of the PCI Special Interest Group.

PS/2™ is a registered trademark of International Business Machines Corporation.

VESA™ is a trademark of the Video Electronics Standards Association.

All trademarks are the properties of their respective owners.

## Disclaimer Notice:

No license is granted, implied or otherwise, under any patent or patent rights of VIA Technologies or S3 Graphics. VIA Technologies and S3 Graphics make no warranties, implied or otherwise, in regard to this document and to the products described in this document. The information provided by this document is believed to be accurate and reliable as of the publication date of this document. However, VIA Technologies and S3 Graphics assume no responsibility for any errors in this document. Furthermore, VIA Technologies and S3 Graphics assume no responsibility for the use or misuse of the information in this document and for any patent infringements that may arise from the use of this document. The information and product specifications within this document are subject to change at any time, without notice and without obligation to notify any person of such change.

## Offices:

### VIA Technologies Incorporated

#### Taiwan Office:

8<sup>th</sup> Floor, No. 533

Chung-Cheng Road, Hsin-Tien

Taipei, Taiwan ROC

Tel : (886-2) 2218-5452

Fax : (886-2) 2218-5453

Home page : <http://www.via.com.tw>

### VIA Technologies Incorporated

#### USA Office :

940 Mission Court

Fremont, CA 94539

USA

Tel : (510) 683-3300

Fax : (510) 683-3301 or (510) 687-4654

Home Page : <http://www.viatech.com>

### S3 Graphics Incorporated

#### USA Office:

1045 Mission Court

Fremont, CA 94539

USA

Tel : (510) 687-4900

Fax : (510) 687-4901

Home Page: <http://www.s3graphics.com>

## REVISION HISTORY

Document Release	Date	Revision	Initials
1.0	1/14/03	Initial public release, same as internal revision 0.92 with confidential watermark removed	DH
1.01	4/8/03	Updated Table 1 in Overview to indicate correct CRT screen resolutions supported Updated mechanical specs to fix incorrect JEDEC-spec reference	DH
1.1	4/25/03	Changed chipset name to north bridge chip name and removed VT# Changed incorrect figure captions to table captions	DH
1.2	5/29/03	Added "Version CD" to cover page Fixed supported screen and LCD resolutions (1400x1050 max)	DH
2.0	5/29/03	Changed "Version CD" to "Version CD / CE"	DH
2.01	7/1/03	Removed 8MB Frame Buffer support Fixed internal AGP speed & resolutions supported in graphics feature bullets & overview Removed CPU/DRAM 133/100 freq support; added "Version CD/CE" to page header	DH
2.02	7/17/03	Added 8MB Frame Buffer support information in product features, Table 1 (supported CRT screen resolutions) and register setting of Device 0 RxE1[6:4] Fixed typo of VCC25 information in notes of the pin list	AL
2.03	3/22/04	Updated cover page, legal page and header Updated the RSET resistor value in pin description table Capitalized north bridge and south bridge Modified the name of table 2 and table 3 Modified legend in mechanical specification	SV
2.04	4/19/04	Added mechanical specifications for lead-free concern	EY
2.05	8/11/04	Updated mechanical specification figure	SV
2.06	12/1/04	Updated top marking in mechanical specifaition	VL

# TABLE OF CONTENTS

REVISION HISTORY .....	I
TABLE OF CONTENTS.....	II
LIST OF FIGURES .....	IV
LIST OF TABLES .....	IV
PRODUCT FEATURES.....	1
CLE266 SYSTEM OVERVIEW .....	5
<u>CLE266 VERSION CD / CE OVERVIEW</u> .....	5
<u>SYSTEM POWER MANAGEMENT</u> .....	6
<u>HIGH-PERFORMANCE 3D ACCELERATOR</u> .....	6
<u>128-BIT 2D GRAPHICS ENGINE</u> .....	6
<u>DVD PLAYBACK AND VIDEO CONFERENCING</u> .....	6
<u>TV DISPLAY OUTPUT SUPPORT</u> .....	7
<u>VIDEO CAPTURE INTERFACE</u> .....	7
<u>LCD, FLAT PANEL MONITOR AND TV OUTPUT DISPLAY SUPPORT</u> .....	7
<u>HIGH SCREEN RESOLUTION CRT SUPPORT</u> .....	7
PINOUTS.....	8
<u>PIN DESCRIPTIONS</u> .....	11
REGISTERS.....	19
<u>REGISTER OVERVIEW</u> .....	19
<u>MISCELLANEOUS I/O</u> .....	30
<u>PCI CONFIGURATION SPACE I/O</u> .....	30
<u>DEVICE 0 REGISTER DESCRIPTIONS</u> .....	31
Device 0 Host Bridge Header Registers .....	31
Device 0 Host Bridge Device-Specific Registers .....	33
V-Link Control .....	33
Host CPU Control .....	36
DRAM Control.....	37
PCI Bus Control .....	43
GART / Graphics Aperture Control .....	45
AGP Control.....	46
V-Link Control.....	48
Power Management.....	49
Frame Buffer and High Memory Control .....	50
BIOS Scratch.....	50
<u>DEVICE 1 REGISTER DESCRIPTIONS</u> .....	51
Device 1 PCI-to-PCI Bridge Header Registers .....	51
Device 1 PCI-to-PCI Bridge Device-Specific Registers .....	53
Internal AGP Bus Control .....	53
Power Management.....	55

**FUNCTIONAL DESCRIPTION** ..... 56

**INTEGRATED GRAPHICS CONTROLLER** ..... 56

        Internal Architecture ..... 56

**GRAPHICS MODES** ..... 57

        Desktop Modes - Single Display ..... 57

        Desktop Modes - LCD VGA 640x480 Multiple Display ..... 58

        Desktop Modes - LCD SVGA 800x600 Multiple Display ..... 59

        Desktop Modes - LCD XGA 1024x768 Multiple Display ..... 60

        Desktop Modes - LCD SXGA 1280x1024 Multiple Display ..... 61

        Desktop Modes - LCD SXGA+ 1400x1050 Multiple Display ..... 62

        Graphics Modes That Allow LCD Centering and Expansion ..... 63

        VGA Graphics Modes ..... 64

        Direct Draw Graphics Modes ..... 65

        Graphics Modes for TV Display ..... 66

        Additional Graphics Modes for IA Devices ..... 67

**FLAT PANEL DISPLAY RGB MAPPING** ..... 68

**ELECTRICAL SPECIFICATIONS** ..... 69

**ABSOLUTE MAXIMUM RATINGS** ..... 69

**DC CHARACTERISTICS** ..... 69

**AC TIMING SPECIFICATIONS** ..... 69

**MECHANICAL SPECIFICATIONS** ..... 70

## LIST OF FIGURES

FIGURE 1. SYSTEM BLOCK DIAGRAM.....	5
FIGURE 2. BALL DIAGRAM (TOP VIEW).....	8
FIGURE 3. GRAPHICS APERTURE ADDRESS TRANSLATION.....	45
FIGURE 4. GRAPHICS CONTROLLER INTERNAL BLOCK DIAGRAM.....	56
FIGURE 5. MECHANICAL SPECIFICATIONS – 548-PIN 27X27MM BALL GRID ARRAY PACKAGE WITH 1MM BALL PITCH.....	70
FIGURE 6. LEAD-FREE MECHANICAL SPECIFICATIONS – 548-PIN 27X27MM BALL GRID ARRAY PACKAGE WITH 1MM BALL PITCH .....	71

## LIST OF TABLES

TABLE 1. SUPPORTED CRT SCREEN RESOLUTIONS.....	7
TABLE 2. PIN LIST (LISTED BY PIN NUMBER).....	9
TABLE 3. PIN LIST (LISTED BY PIN NAME) .....	10
TABLE 4. PIN DESCRIPTIONS .....	11
TABLE 5. REGISTERS .....	19
TABLE 6. SYSTEM MEMORY MAP.....	37
TABLE 7. MA MAP TYPE ENCODING.....	38
TABLE 8. MEMORY ADDRESS MAPPING TABLE .....	38
TABLE 9. VGA / MDA MEMORY / IO REDIRECTION .....	53
TABLE 10. DESKTOP GRAPHICS MODES – SINGLE DISPLAY .....	57
TABLE 11. DESKTOP GRAPHICS MODES – LCD VGA 640X480 MULTIPLE DISPLAY .....	58
TABLE 12. DESKTOP GRAPHICS MODES – LCD SVGA 800X600 MULTIPLE DISPLAY .....	59
TABLE 13. DESKTOP GRAPHICS MODES – LCD XGA 1024X768 MULTIPLE DISPLAY .....	60
TABLE 14. DESKTOP GRAPHICS MODES – LCD SXGA 1280X1024 MULTIPLE DISPLAY .....	61
TABLE 15. DESKTOP GRAPHICS MODES – LCD SXGA+ 1400X1050 MULTIPLE DISPLAY .....	62
TABLE 16. GRAPHICS MODES THAT ALLOW LCD CENTERING AND EXPANSION.....	63
TABLE 17. VGA GRAPHICS MODES.....	64
TABLE 18. DIRECT DRAW GRAPHICS MODES.....	65
TABLE 19. GRAPHICS MODES FOR TV DISPLAY .....	66
TABLE 20. ADDITIONAL GRAPHICS MODES FOR IA DEVICES .....	67
TABLE 21. FPD RGB MAPPING.....	68
TABLE 22. ABSOLUTE MAXIMUM RATINGS.....	69
TABLE 23. DC CHARACTERISTICS.....	69
TABLE 24. AC TIMING MIN / MAX CONDITIONS.....	69

# CLE266 VERSION CD / CE

## NORTH BRIDGE

Single-Chip SMA North Bridge  
 with 133 / 100 / 66 MHz Front Side Bus for VIA C3 CPUs  
 with Integrated 2D / 3D AGP Graphics Core  
 plus Advanced DDR Memory Controller  
 supporting DDR266 / 200 DDR SDRAM  
 and PC133 / PC100 SDR SDRAM  
 for Desktop PC Systems

### PRODUCT FEATURES

- **Defines Integrated Solutions for Value PC Desktop Designs**
  - High performance SMA North Bridge: Integrated Apollo Pro266T and graphics accelerator in a single chip
  - 64-bit advanced memory controller supporting DDR266 / 200 DDR SDRAM and PC133 / PC100 SDR SDRAM
  - Combines with VIA VT8233A V-Link South Bridge for integrated audio, ATA-133 IDE and 4 USB ports
- **High Performance CPU Interface**
  - Support for Socket-370 VIA C3 processors
  - 133 / 100 / 66 MHz CPU Front Side Bus (FSB)
  - Built-in Phase Lock Loop circuitry for optimal skew control within and between clocking regions
  - Five outstanding transactions (Four In-Order Queue (IOQ) plus one output latch)
  - Dynamic deferred transaction support
- **High Bandwidth 266 MB / Sec 8-Bit V-Link Host Controller**
  - Supports 66 MHz V-Link Host interface with total bandwidth of 266 MB/Sec
  - V-Link operates at 2x or 4x modes
  - Full-duplex commands with separate strobe / command
  - Request / Data split transaction
  - Configurable outstanding transaction queue for Host to V-Link Client accesses
  - Supports Defer / Defer-Reply transactions
  - Transaction assurance for V-Link Host to Client access (eliminates V-Link Host-Client Retry cycles)
  - Intelligent V-Link transaction protocol to minimize data wait-states / throttle transfer latency. All V-Link transactions (both Host and Client) have a consistent view of transaction data depth and buffer size to avoid data overflow.
  - Highly efficient V-Link arbitration with minimum overhead. All V-Link transactions have predictable cycle length with known Command / Data duration.

- **Advanced High-Performance DDR / SDR DRAM Controller**

- Supports DDR266 / 200 DDR SDRAM and PC133 / PC100 SDR SDRAM memory types
- DRAM interface synchronous with host CPU (133 / 100 MHz) for most flexible configuration
- DRAM interface may be faster or slower than CPU by 33 MHz
- Concurrent CPU, AGP and V-Link access
- Mixed 1M / 2M / 4M / 8M / 16M / 32M / 64MxN DRAMs
- Supports 4 banks up to 2 GB DRAMs (512Mb x8 / x16 DRAM technology)
- Flexible row and column addresses. 64-bit data width only
- LVTTL 3.3V DRAM interface with 2.5V SSTL-2 DRAM interface (DDR) and 5V-tolerant inputs (SDR)
- Programmable I/O drive capability for MA, command and MD signals
- Two-bank interleaving for 16Mbit SDRAM support
- Two-bank and four bank interleaving for 64Mbit SDRAM support
- Supports maximum 8-bank interleave (i.e., 8 pages open simultaneously); banks are allocated based on LRU
- Seamless DRAM command scheduling for maximum DRAM bus utilization (e.g., precharge other banks while accessing the current bank)
- Four cache lines (16 quadwords) of CPU to DRAM write buffers
- Four cache lines of CPU to DRAM read prefetch buffers
- Read around write capability for non-stalled CPU read
- Speculative DRAM read before snoop result
- Burst read and write operation
- x-1/2-1/2-1/2-1/2-1/2-1/2 back-to-back accesses for DDR SDRAM (x-1-1-1-1-1-1 for SDR)
- Supports DDR SDRAM CL 2/2.5/3 and 1T per command
- Decoupled and burst DRAM refresh with staggered RAS timing (CAS before RAS or self refresh)

- **Integrated Graphics / Video Accelerator**

- Optimized Shared Memory Architecture (SMA)
- 8 / 16 / 32 / 64MB frame buffer using system memory
- Internal AGP 4x-equivalent performance
- Separate 128-bit data paths between North Bridge and graphics core for pixel data flow and texture / command access
- Graphics engine clocks up to 133 MHz decoupled from memory clock
- Direct hardware inputs to force graphics accelerator into suspend / standby states
- High quality DVD video playback
- VIP 1.1 / VIP 2.0-compatible video capture inputs up to 165 MHz data rate
- Internal hardware VGA controller with true-color / high-color sprite for hardware cursor implementation
- 128-bit 2D graphics engine
- 128-bit 3D graphics engine
- Floating point triangle setup engine
- 3M triangles/second setup engine
- 133M pixels/second trilinear fill rate

- **Extensive Display Support**

- CRT display interface with 24-bit true-color RAMDAC up to 250 MHz pixel rate with gamma correction capability
- Direct TFT flat panel interface up to 24-bit data width supporting 18, 24 or 18+18 TFT panels or LVDS encoders
- 12-bit DVI 1.0-compatible interface for drive of flat panel monitor using external TMDS encoders
- Interface to external TV Encoder for NTSC or PAL TV display
- Flexible output configuration: CRT output plus 8-bit video capture port plus either 1) LCD Panel + DVI or TV-Out or 2) DVI + TV-Out + 2<sup>nd</sup> 8-bit video capture port (or video capture port extension to 16-bit)
- Support for panel resolutions up to 1600x1200, CRT resolutions up to 1400x1050 and DVI up to 1280x1024
- Automatic panel power sequencing and VESA DPMS CRT power-down
- Dual view capability where CRT and Flat Panel Monitor can have a different resolution and refresh rate
- Built-in reference voltage generator and monitor sense circuits
- I<sup>2</sup>C Serial Bus and DDC Monitor Communications for CRT Plug-and-Play configuration



- **Video Support**

- Up to three video windows for video conferencing applications
- High quality scaler (up or down) for both horizontal and vertical scaling (linear interpolation for horizontal and vertical up-scaling and filtering for horizontal and vertical down-scaling)
- Color space conversion
- Color enhancement (contrast, hue, saturation, brightness and gamma correction)
- Color and chroma key support
- Hardware sub-picture blending
- Bob / weave de-interlacing mode and advanced de-interlacing to improve video quality
- Video capture inputs (one or two 8-bit ports or one 16-bit port) with built-in phase adjuster to fine tune the clock/data signal timing
- PAL / NTSC TV output capability using external TV encoder
- Supports CCIR601 standard

- **MPEG-2/1 Video Decoder**

- Motion compensation for full speed DVD playback
- Hardware accelerated Slice layer, IDCT and Motion compensation

- **2D Hardware Acceleration Features**

- BitBLT (bit block transfer) functions including alpha blts
- Text function
- Bresenham line drawing / style line function
- ROP3, 256 operation
- Color expansion
- Source and destination color keys
- Transparency mode
- Window clipping
- 8, 15/16 and 32 bpp mode acceleration

- **3D Hardware Acceleration Features**

- Microsoft DirectX 7.0 and 8.0 compatible
- OpenGL driver available
- Floating-point setup engine
- Triangle rate up to 3-million triangles per second and Pixel rate up to 133-million pixels per second for 2 texture, depth test and alpha blending
- Flat and Gouraud shading
- Hardware back-face culling
- 16-bit, 32-bit Z test and 24+8 Z+Stencil test support
- Z-Bias support
- Stipple Test, Line-Pattern test, Texture-Transparency test, Alpha test support
- Edge anti-aliasing support
- Two textures per pass
- Tremendous Texture Format: 16/32 bpp ARGB, 1/2/4/8 bpp Luminance, 1/2/4/8 bpp Intensity, 1/2/4/8 bpp Paletized (ARGB), YUV 422/420 format
- Texture sizes up to 2048x2048
- High quality texture filter modes: Nearest, Linear, Bi-linear, Tri-linear, Anisotropic
- LOD-Bias support
- Vertex Fog and Fog Table
- Specular Lighting
- Alpha Blending
- High quality dithering
- ROP2 support
- Internal full 32-bit ARGB format for high rendering quality
- System balance to achieve high performance

- **Advanced System Power Management**
  - Power down of SDRAM (CKE)
  - Independent clock stop controls for CPU / SDRAM and on-chip AGP bus
  - Suspend power plane for preservation of memory data
  - Suspend-to-DRAM and self-refresh power down
  - Low-leakage I/O pads
  - ACPI 1.0B and PCI Bus Power Management 1.1 compliant
- **Full Software Support**
  - Drivers for major operating systems and APIs: [Windows® 9x, Windows NT, Windows 2000, Windows XP, Direct3D™, DirectDraw™ and DirectShow™, OpenGL™ ICD for Windows 9x, NT, 2000 and XP]
  - North Bridge / Chipset and Video BIOS support (including all standard VESA CRT display modes)
- **2.5V Core and Mixed 3.3V / 5V Tolerant and GTL+ I/O**
- **27 x 27mm Ball Grid Array Package with 548 Balls and 1mm Ball Pitch**

## CLE266 SYSTEM OVERVIEW

CLE266 is a high performance, cost-effective and energy efficient SMA chipset North Bridge which may be used for the implementation of desktop personal computer systems with 133 / 100 / 66 MHz CPU host bus ("Front Side Bus") frequencies and based on 64-bit Socket-370 VIA C3 processors.

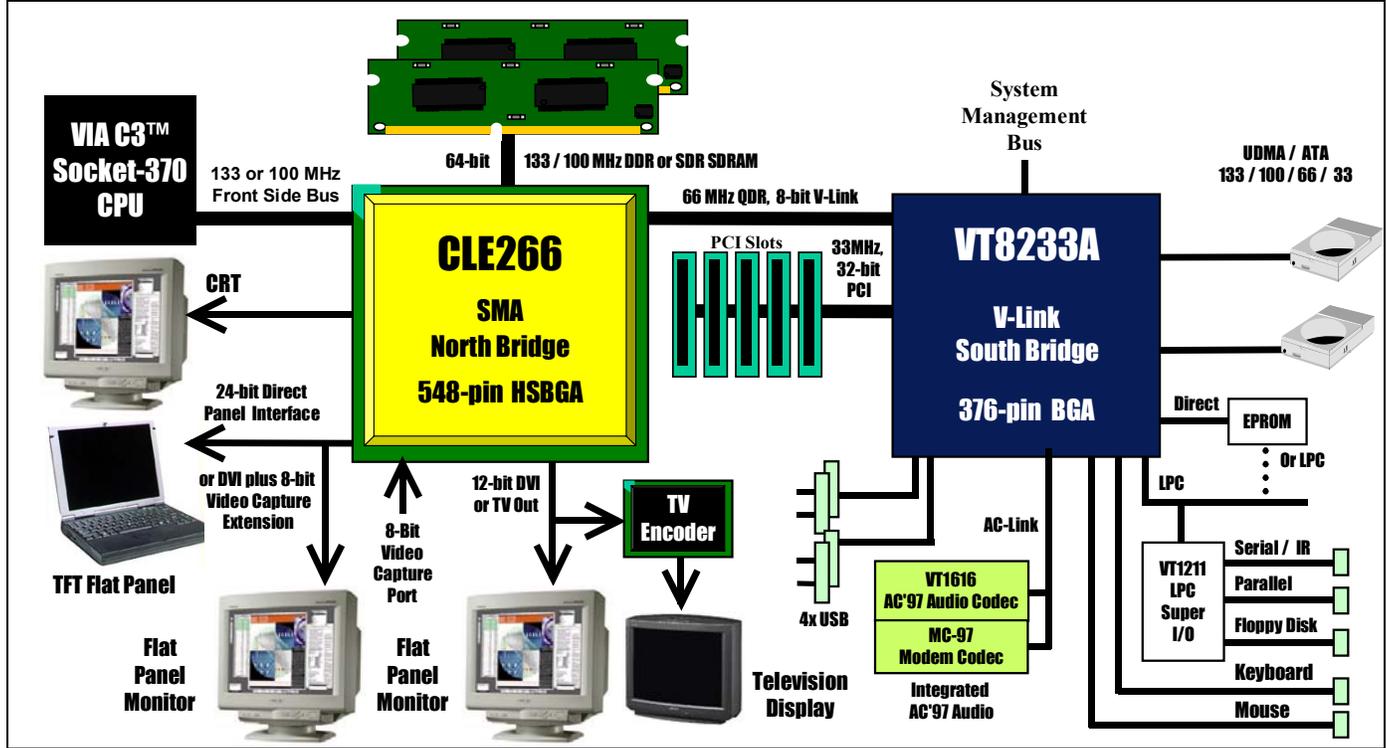


Figure 1. System Block Diagram

The complete chipset consists of the CLE266 North Bridge and the VT8233A V-Link South Bridge. The CLE266 North Bridge integrates VIA's Apollo Pro266T system controller, 128-bit graphics accelerator and flat panel interfaces into a single 548 BGA package. The CLE266 provides superior performance between the CPU, DRAM, V-Link bus and internal AGP 8x graphics controller bus with pipelined, burst and concurrent operation. The VT8233A V-Link Client controller is a highly integrated PCI / LPC controller. Its internal bus structure is based on a 66 MHz PCI bus that provides 2x bandwidth compared to previous generation PCI / ISA bridge chips. The VT8233A also provides a 266 MB / Sec bandwidth Host / Client V-Link interface with V-Link-PCI and V-Link-LPC controllers. It supports five PCI slots of arbitration and decoding for all integrated functions and LPC bus.

### CLE266 Version CD / CE Overview

The CLE266 supports four banks of DDR / SDR SDRAMs up to 2 GB. The DRAM controller supports DDR266 / 200 Double-Data-Rate (DDR) SDRAM but can also support standard PC133 / PC100 Synchronous DRAM (SDR SDRAM). The DDR / SDR DRAM interface allows zero wait state bursting between the DRAM and the data buffers at 133 / 100 MHz. The different banks of DRAM can be composed of an arbitrary mixture of 1M / 2M / 4M / 8M / 16M / 32M / 64M xN DRAMs. The DRAM controller can run either synchronous or pseudo-synchronous with the host CPU bus.

The CLE266 host system controller supports a high speed 8-bit 66 MHz Quad Data Transfer interconnect (V-Link) to the VT8233A South Bridge. Each chip also contains a built-in bus-to-bus bridge to allow simultaneous concurrent operations on each bus. Five levels (doublewords) of post write buffers are included to allow for concurrent CPU and V-Link operation. For V-Link Host operation, forty-eight levels (doublewords) of post write buffers and sixteen levels (doublewords) of prefetch buffers are included for concurrent V-Link bus and DRAM/cache accesses. The combined V-Link Host and Client controllers realize a complete PCI sub-system that supports enhanced PCI bus commands such as Memory-Read-Line, Memory-Read-Multiple and Memory-Write-Invalid commands to minimize snoop overhead. In addition, advanced features are supported such as snoop ahead,

snoop filtering, L1 write-back forward to PCI master and L1 write-back merged with PCI post write buffers to minimize PCI master read latency and DRAM utilization. Delay transaction and read caching mechanisms are also implemented for further improvement of overall system performance.

The CLE266 North Bridge also integrates a VIA-designed 128-bit graphics accelerator into the chip. This brings mainstream graphics performance to the Value PC with leading-edge 2D, 3D and DVD video acceleration into a cost effective package. Based on its capabilities, the CLE266 is an ideal solution for the consumer, corporate desktop users and entry-level professionals.

The industry's first low-cost integrated AGP 8x solution to support DDR memory, the CLE266 North Bridge combines internal AGP 8x equivalent performance with massive 2Kx2K textures to deliver unprecedented performance and image quality for the Value PC desktop market.

The 376-pin Ball Grid Array VT8233A Client V-Link PCI / LPC controller supports four levels (doublewords) of line buffers, type F DMA transfers and delay transaction to allow efficient PCI bus utilization and (PCI-2.1 compliant). The VT8233A integrated PCI controller and PCI arbitration for up to five PCI slots. One of the PCI REQ / GNT pairs can be configured as high-priority to better support a low latency PCI bus master device.

The VT8233A also includes an integrated keyboard controller with PS2 mouse support, integrated DS12885 style real time clock with extended 256 byte CMOS RAM, integrated master mode enhanced IDE controller with full scatter / gather capability and extension to UltraDMA-133 / 100 / 66 / 33 for 133 / 100 / 66 / 33 MB/sec transfer rate, integrated USB interface with two root hubs and four functional ports with built-in physical layer transceivers, Distributed DMA support and OnNow / ACPI compliant advanced configuration and power management interface.

### **System Power Management**

For sophisticated power management, the CLE266 provides independent clock stop control for the CPU / SDRAM and PCI and CKE control for powering down of the SDRAM. A separate suspend-well plane is implemented for the SDRAM control signals for Suspend-to-DRAM operation. Using the CLE266 North Bridge coupled with the VT8233A South Bridge, a complete power conscious PC main board can be implemented with no external TTLs.

### **High-Performance 3D Accelerator**

Featuring an internal 128-bit 3D graphics engine, the CLE266 North Bridge utilizes a single cycle architecture that provides high performance along with superior image quality. Several new features enhance the 3D architecture, including single-pass multitexturing, anisotropic filtering and an 8-bit stencil buffer. The chip also offers the industry's only simultaneous usage of single-pass multitexturing and single-cycle trilinear filtering – enabling stunning image quality without performance loss. Image quality is further enhanced with true 32-bit color rendering throughout the 3D pipeline to produce more vivid and realistic images. The advanced triangle setup engine provides industry leading 3D performance for a realistic user experience in games and other interactive 3D applications. The 3D engine is optimized for AGP texturing from system memory.

### **128-bit 2D Graphics Engine**

The CLE266 North Bridge advanced 128-bit 2D graphics engine delivers high-speed 2D acceleration for productivity applications. The enhanced 2D architecture optimizes SMA performance and provides acceleration of all color depths.

### **DVD Playback and Video Conferencing**

The CLE266 North Bridge provides the ideal architecture for high quality MPEG-2 based DVD applications and video conferencing. For DVD playback, the integrated video accelerator offloads the CPU by performing the planar to packed format conversion and motion compensation tasks, while it is enhanced scaling algorithm delivers incredible full-screen video playback. For video conferencing, multiple video windows enable a cost effective solution.

**TV Display Output Support**

The CLE266 North Bridge provides an interface to an external TV Encoder (VIA VT1621, VT1622 or compatible).

**Video Capture Interface**

The CLE266 North Bridge provides a VIP 2.0-compatible interface to allow capture of video from an external source. This interface can be configured as one 8-bit, one 16-bit or two 8-bit ports.

**LCD, Flat Panel Monitor and TV Output Display Support**

The CLE266 North Bridge supports a wide variety of LCD panels through a direct interface up to 24-bits wide. This includes support for VGA, SVGA, XGA, SXGA+, UXGA and UXGA+ TFT color panels with 18-bit and 24-bit interfaces (both 1 pixel/clock and 2 pixels/clock for both 18 and 24-bit interfaces). The CLE266 North Bridge supports UXGA (1600x1200) and higher resolutions only with the VIA VT1631 LVDS Transmitter chip since the VT1631 supports dual-edge data transfer.

In addition to the 24-bit panel interface, also provided is a 12-bit interface to a TMDS encoder. This interface is Digital Visual Interface (DVI) 1.0 compliant for driving an external flat panel monitor. The pins of the DVI port can optionally be configured for support of an external TV-Encoder for display of video on a TV display. An alternate configuration, however, allows the upper bits of the 24-bit direct flat panel interface to be configured as a DVI interface with display resolution support up to 1280x1024. This allows both TV out and DVI capability at the same time with the lower bits of the flat panel interface configured for either an 8-bit direct panel interface, a second 8-bit video capture port or an extension of the basic 8-bit capture port to 16 bits.

Available display interface combinations:

- CRT + DVI + TV-Out + 8-Bit or 16-Bit Video Capture Port
- CRT + DVI + TV-Out + Two 8-Bit Video Capture Ports
- CRT + 24-bit LCD Panel + DVI or TV-Out + 8-bit Video Capture Port

**High Screen Resolution CRT Support**

Resolutions Supported	System Memory Frame Buffer Size		
	8 MB	16/32 MB	64 MB
VGA - 640x480x8/16/32	✓	✓	✓
SVGA - 800x600x8/16/32	✓	✓	✓
XGA - 1024x768x8/16/32	✓	✓	✓
SXGA - 1280x1024x8	✓	✓	✓
SXGA - 1280x1024x16	✓	✓	✓
SXGA - 1280x1024x32	✓	✓	✓
SXGA+ - 1400x1050x8	✓	✓	✓
SXGA+ - 1400x1050x16	✓	✓	✓
SXGA+ - 1400x1050x32	✓	✓	✓

Note: WHQL's DCT certification requires frame buffer size to be 16MB or above. For non-Window based applications, CLE266 supports 8MB frame buffer to reserve more available memory space for the system. Please refer to the register setting of Device 0 Offset E1[6:4] for more details.

**Table 1. Supported CRT Screen Resolutions**

PINOUTS

Figure 2. Ball Diagram (Top View)

Key	1	2	3	4	5	6	7	8	9	10	11	12	13	14	15	16	17	18	19	20	21	22	23	24	25	26
A	TVVS DVIVS	TVD1 DVID1	TVD3 DVID3	TVD6 DVID6	TVD9 DVID9	DFT IN	AGP STDBY	SP CLK2	H SYNC	AB	RSET	GND PLL1	GND PLL3	HD56	HD54	HD57	HD47	HD51	HD39	HD36	HD34	HD32	HD33	HD26	HD23	HD21
B	TVHS DVHS	TVD0 DVID0	TVD2 DVID2	TVD5 DVID5	TVD8 DVID8	INT A#	BIST IN	AGP BUSY#	V SYNC	AG	GND RGB	VCC PLL1	GND	HD61	HD55	GND	HD40	HD49	GND	HD37	HD22	GND	HD19	HD24	GND	HD16
C	NC	TVCLK DVICLK	TVCKR NC	TVD4 DVID4	TVD7 DVID7	TVD10 DVID10	AGP SUSP	AGP STP#	SP DAT2	AR	VCC DAC	GND PLL2	VCC PLL3	HD60	HD46	HD52	HD63	HD41	HD45	HD38	HD28	HD31	HD25	HD30	HD7	HD3
D	CPD 3	CPD 2	CPD 1	CPD 0	TVBL# DVIDE	TVD11 DVID11	GPIO 0	GPIO 2	SP DAT1	VCC RGB	GND DAC	VCC PLL2	HD50	HD53	HD62	HD59	HD48	HD42	HD27	HD43	HD29	HD35	HD20	HD13	HD14	HD11
E	CPD 5	CPD 4	CP CLK	CPD 6	VCC FP	GND	GPIO 1	GPIO 3	SP CLK1	GND	GND	XIN	HD58	GND	GND	VTT	VTT	GND	HD44	GTL VREF	GND	VTT	HD2	HD9	GND	HD18
F	FPDE CPD8	FPHS CPHS	FPVS CPVS	CPD 7	VCC FP	F6	7	8	9	10	11	12	13	14	15	16	17	18	19	20	F21	VTT	HD8	HD12	HD17	HD10
G	FPD2 CPD11	FPD1 CPD10	FPD0 CPD9	EN VDD	EN VEE	G	VCC FP	VCC FP	VCC FP	VCC FP	VCC FP	VCC FP	GND	VTT	VTT	VTT	VTT	VTT	VTT	G	HD5	HD1	HD4	HD6	HD15	
H	FPD5 CPD13	FPD4 CPD12	FPD3 CPCK1	DCLK 1	EN BLT	H	VCC FP	VCC 25	VCC 25	VCC 25	VCC 25	VCC 25	VCC 25	VCC 25	VCC 25	VCC 25	VCC 25	VCC 25	VCC 25	VTT	H	HA26	HA18	CPU RST#	GND	HD0
J	FPD7 CPD15	FPD6 CPD14	FPCLK DFCLK	DCLK 0	GND	J	VCC FP	VCC 25	Flat	K10	11	12	13	14	15	16	K17	CPU	VCC 25	VTT	J	VTT	HA29	HA24	HA27	HA30
K	FPD10 DFDE	FPD9 DFHS	FPD8 DFVS	FPD11 DFD0	GND	K	VCC FP	VCC 25	Panel	L	GND	GND	GND	GND	GND	GND	L	VCC 25	VTT	K	VTT	HA20	HA19	HA22	HA17	
L	FPD15 DFD4	FPD14 DFD3	FPD13 DFD2	FPD12 DFD1	VCC FP	L	VCC FP	VCC 25	L	GND	GND	GND	GND	GND	GND	GND	L	VCC 25	VTT	L	GND	HA23	HA31	GND	HA25	
M	FPD18 DFD7	FPD17 DFD6	FPD19 DFD8	FPD16 DFD5	VCC FP	M	VCC FP	VCC 25	M	GND	GND	GND	GND	GND	GND	M	VCC 25	VTT	M	GND	HA15	HA28	HA21	HA10		
N	FPD21 DFD10	FPD22 DFD11	FPD20 DFD9	FPD23 DFDE1	GND	N	VCC FP	VCC 25	N	GND	GND	GND	GND	GND	GND	N	VCC 25	VTT	N	GND	HA5	HA12	HA16	HA13		
P	VAD 0	GND	VAD 1	G CLK	GND	P	VCC VL	VCC 25	P	GND	GND	GND	GND	GND	GND	P	VCC 25	VTT	P	GND	HA6	HA9	GND	HA3		
R	VAD 5	VDN STB	VDN STB#	VAD 3	VBE#	R	VCC VL	VCC 25	VL	R	GND	GND	GND	GND	GND	R	VCC 25	VTT	R	BNR#	HA14	HA8	HA4	HA11		
T	VUP STB#	VUP STB	VDN CMD	VL VREF	VUP CMD	T	VCC VL	VCC 25	Bus	T	GND	GND	GND	GND	GND	T	VCC 25	VTT	T	GTL VREF	HREQ 1#	HA7	HREQ 4#	B PRI#		
U	VAD 2	GND	VL PAR	GND	VCC VL	U	VCC M	VCC 25	U10	11	12	13	14	15	16	U17	VCC 25	VTT	U	VTT	DE FER#	H REQ0#	GND	H REQ2#		
V	VAD 6	VAD 7	VAD 4	VL COMP	VCC VL	V	VCC M	VCC 25	DRAM	V	VCC M	VCC 25	VCC M	VCC 25	VCC M	VCC 25	VCC M	VCC 25	VCC M	V	VTT	HIT M#	H REQ3#	LOCK#	RS1#	
W	PWR OK	SUS ST#	RE SET#	CS3#	VSUS 25	W	VCC M	VCC 25	W	VCC 25	VCC 25	VCC 25	VCC 25	VCC 25	VCC 25	VCC 25	VCC 25	VCC 25	VCC 25	VCC 25	W	GND	HIT#	D BSY#	HT RDY#	RS0#
Y	MD59	GND	CS1#	GND	VCC M	Y	VCC M	VCC M	VCC M	VCC M	VCC M	VCC M	VCC M	VCC M	VCC M	VCC M	VCC M	VCC M	VCC M	Y	GND	H CLK	GND HCK	RS2#	D RDY#	
AA	MD63	MD58	MD62	CS0#	VCC M	AA6	7	8	9	10	11	12	13	14	15	16	17	18	19	20	AA21	GND	MD0	VCC HCK	ADS#	B REQ0#
AB	DQS 7#	DQM 7	MD57	S CAS#	S WE#	MA11	M VREF	VCC M	VCC M	NC	GND	GND	MA3	GND	GND	MA7	MA9	VCC M	VCC M	M VREF	VCC M	VCC M	MCLK	VCC MCK	MD5	MD4
AC	MD61	GND	CS2#	MD53	GND	MA10	MD42	GND	MD40	NC	MA2	MD32	MA4	MA5	DQM 3	MA8	MA13	GND	MA14	CKE 0	CKE 2	CKE 1	MCLK FB	GND MCK	GND	MD1
AD	MD56	MD60	MD51	MD52	S RAS#	MA12	DQS 5#	MD44	MD38	MA0	MA1	MD37	MD31	MA6	DQS 3#	MD24	MD23	MD18	MD17	MD11	MD10	DQM 1	CKE 3	MD2	DQM 0	DQS 0#
AE	MD55	GND	DQS 6#	GND	MD47	MD46	GND	MD41	MD39	GND	DQM 4	MD33	GND	MD30	MD25	GND	MD22	DQS 2#	GND	MD16	MD14	GND	MD12	MD8	GND	MD6
AF	MD50	MD54	DQM 6	MD49	MD48	MD43	DQM 5	MD45	MD35	MD34	DQS 4#	MD36	MD27	MD26	MD29	MD28	MD19	DQM 2	MD21	MD20	MD15	DQS 1#	MD13	MD9	MD3	MD7

**Table 2. Pin List (Listed by Pin Number)**

Pin #	Pin Name	Pin #	Pin Name	Pin #	Pin Name	Pin #	Pin Name	Pin #	Pin Name	Pin #	Pin Name
A01	O TVVS / DVIVS	D01	I CPD03	G19	P VTT	P01	IO VAD0 / strap	Y09	P VCCM	AD01	IO MD56
A02	O TVD01 / DVID01	D02	I CPD02	G22	IO HD05	P02	P GND	Y10	P VCCM	AD02	IO MD60
A03	O TVD03 / DVID03	D03	I CPD01	G23	IO HD01	P03	IO VAD1 / strap	Y11	P VCCM	AD03	IO MD51
A04	O TVD06 / DVID06	D04	I CPD00	G24	IO HD04	P04	I GCLK	Y12	P VCCM	AD04	IO MD52
A05	O TVD09 / DVID09	D05	O TVBL# / DVIDE	G25	IO HD06	P05	P GND	Y13	P VCCM	AD05	O SRAS#
A06	I DFTIN	D06	O TVD11 / DVID11	G26	IO HD15	P07	P VCCVL	Y14	P VCCM	AD06	O MA12
A07	I AGPSTDBY	D07	IO GPIO0	H01	O FPD05 / CPD13	P20	P VTT	Y15	P VCCM	AD07	O DQS5#
A08	IO SPCLK2	D08	IO GPIO2	H02	O FPD04 / CPD12	P22	P GND	Y16	P VCCM	AD08	IO MD44
A09	O HSYNC	D09	IO SPDAT1	H03	O FPD03 / CPCK1	P23	IO HA06	Y17	P VCCM	AD09	IO MD38
A10	O AB	D10	P VCCRGB	H04	I DCLK1	P24	IO HA09	Y18	P VCCM	AD10	O MA00
A11	A RSET	D11	P GNDDAC	H05	O ENBLT	P25	P GND	Y19	P VCCM	AD11	O MA01
A12	P GNDPLL1	D12	P VCCPLL2	H07	P VCCFP	P26	IO HA03	Y22	P GND	AD12	IO MD37
A13	P GNDPLL3	D13	IO HD50	H20	P VTT	R01	IO VAD5	Y23	I HCLK	AD13	IO MD31
A14	IO HD56	D14	IO HD53	H22	IO HA26	R02	O VDNSTB	Y24	P GNDHCK	AD14	O MA06
A15	IO HD54	D15	IO HD62	H23	IO HA18	R03	O VDNSTB#	Y25	IO RS2#	AD15	O DQS3#
A16	IO HD57	D16	IO HD59	H24	O CPURST#	R04	IO VAD3 / strap	Y26	IO DRDY#	AD16	IO MD24
A17	IO HD47	D17	IO HD48	H25	P GND	R05	IO VBE#	AA01	IO MD63	AD17	IO MD23
A18	IO HD51	D18	IO HD42	H26	IO HD00	R07	P VCCVL	AA02	IO MD58	AD18	IO MD18
A19	IO HD39	D19	IO HD27	J01	O FPD07 / CPD15	R20	P VTT	AA03	IO MD62	AD19	IO MD17
A20	IO HD36	D20	IO HD43	J02	O FPD06 / CPD14	R22	IO BNR#	AA04	O CS0#	AD20	IO MD11
A21	IO HD34	D21	IO HD29	J03	O FPCLK / DFCLK	R23	IO HA14	AA05	P VCCM	AD21	IO MD10
A22	IO HD32	D22	IO HD35	J04	O DCLKO	R24	IO HA08	AA22	P GND	AD22	O DQM1
A23	IO HD33	D23	IO HD20	J05	P GND	R25	IO HA04	AA23	IO MD00	AD23	O CKE3
A24	IO HD26	D24	IO HD13	J07	P VCCFP	R26	IO HA11	AA24	P VCCMCK	AD24	IO MD02
A25	IO HD23	D25	IO HD14	J20	P VTT	T01	I VUPSTB#	AA25	IO ADS#	AD25	O DQS0
A26	IO HD21	D26	IO HD11	J22	P VTT	T02	I VUPSTB	AA26	O BREQ0#	AD26	O DQM0#
B01	O TVHS / DVIHS	E01	I CPD05	J23	IO HA29	T03	O VDNCMD	AB01	O DQS7#	AE01	IO MD55
B02	O TVD00 / DVID00	E02	I CPD04	J24	IO HA24	T04	P VLVREF	AB02	O DQM7	AE02	P GND
B03	O TVD02 / DVID02	E03	I CPCLK	J25	IO HA27	T05	I VUPCMD	AB03	IO MD57	AE03	O DQS#
B04	O TVD05 / DVID05	E04	I CPD06	J26	IO HA30	T07	P VCCVL	AB04	O SCAS#	AE04	P GND
B05	O TVD08 / DVID08	E05	P VCCFP	K01	O FPD10 / DFDE / strap	T20	P VTT	AB05	O SWE#	AE05	IO MD47
B06	O INTA#	E06	P GND	K02	O FPD09 / DFHS / strap	T22	P GTLVREF	AB06	O MA11	AE06	IO MD46
B07	I BISTIN	E07	IO GPIO1	K03	O FPD08 / DFVS / strap	T23	IO HREQ1#	AB07	P MEMVREF	AE07	P GND
B08	O AGPBUSY#	E08	IO GPIO3	K04	O FPD11 / DFD00 / strap	T24	IO HA07	AB08	P VCCM	AE08	IO MD41
B09	O VSYNC	E09	IO SPCLK1	K05	P GND	T25	IO HREQ4#	AB09	P VCCM	AE09	IO MD39
B10	O AG	E10	P GND	K07	P VCCFP	T26	IO BPRI#	AB10	- NC	AE10	P GND
B11	P GNDRGB	E11	P GND	K20	P VTT	U01	IO VAD2 / strap	AB11	P GND	AE11	P GND
B12	P VCCPLL1	E12	I XIN	K22	P VTT	U02	P GND	AB12	P GND	AE12	IO MD33
B13	P GND	E13	IO HD58	K23	IO HA20	U03	IO VLPAR	AB13	O MA03	AE13	P GND
B14	IO HD61	E14	P GND	K24	IO HA19	U04	P GND	AB14	P GND	AE14	IO MD30
B15	IO HD55	E15	P GND	K25	IO HA22	U05	P VCCVL	AB15	P GND	AE15	IO MD25
B16	P GND	E16	P VTT	K26	IO HA17	U07	P VCCM	AB16	O MA07	AE16	P GND
B17	IO HD40	E17	P VTT	L01	O FPD15 / DFD04 / strap	U20	P VTT	AB17	O MA09	AE17	IO MD22
B18	IO HD49	E18	P GND	L02	O FPD14 / DFD03 / strap	U22	P VTT	AB18	P VCCM	AE18	O DQS2#
B19	P GND	E19	IO HD44	L03	O FPD13 / DFD02 / strap	U23	IO DEFER#	AB19	P VCCM	AE19	P GND
B20	IO HD37	E20	P GTLVREF	L04	O FPD12 / DFD01 / strap	U24	IO HREQ0#	AB20	P MEMVREF	AE20	IO MD16
B21	IO HD22	E21	P GND	L05	P VCCFP	U25	P GND	AB21	P VCCM	AE21	IO MD14
B22	P GND	E22	P VTT	L07	P VCCFP	U26	IO HREQ2#	AB22	P VCCM	AE22	P GND
B23	IO HD19	E23	IO HD02	L20	P VTT	V01	IO VAD6	AB23	O MCLK	AE23	IO MD12
B24	IO HD24	E24	IO HD09	L22	P GND	V02	IO VAD7	AB24	P VCCMCK	AE24	IO MD08
B25	P GND	E25	P GND	L23	IO HA23	V03	IO VAD4	AB25	IO MD05	AE25	P GND
B26	IO HD16	E26	IO HD18	L24	IO HA31	V04	A VLCOMP	AB26	IO MD04	AE26	IO MD06
C01	I DVIDET	F01	O FPDE / CPD08	L25	P GND	V05	P VCCVL	AC01	IO MD61	AF01	IO MD50
C02	O TVCLK / DVICLK	F02	O FPVS / CPVS	L26	IO HA25	V07	P VCCM	AC02	P GND	AF02	IO MD54
C03	I TVCLKR / NC	F03	O FPVS / CPVS	M01	O FPD18 / DFD07 / strap	V20	P VCCM	AC03	O CS2#	AF03	O DQM6
C04	O TVD04 / DVID04	F04	I CPD07	M02	O FPD17 / DFD06 / strap	V22	P VTT	AC04	IO MD53	AF04	IO MD49
C05	O TVD07 / DVID07	F05	P VCCFP	M03	O FPD19 / DFD08 / strap	V23	I HITM#	AC05	P GND	AF05	IO MD48
C06	O TVD10 / DVID10	F22	P VTT	M04	O FPD16 / DFD05 / strap	V24	IO HREQ3#	AC06	O MA10	AF06	IO MD43
C07	I AGPSUSP	F23	IO HD08	M05	P VCCFP	V25	I HLOCK#	AC07	IO MD42	AF07	O DQM5
C08	IO AGPSTP#	F24	IO HD12	M07	P VCCFP	V26	IO RS1#	AC08	P GND	AF08	IO MD45
C09	IO SPDAT2	F25	IO HD17	M20	P VTT	W01	I PWROK	AC09	IO MD40	AF09	IO MD35
C10	O AR	F26	IO HD10	M22	P GND	W02	I SUSST#	AC10	- NC	AF10	IO MD34
C11	P VCCDAC	G01	O FPD02 / CPD11	M23	IO HA15	W03	I RESET#	AC11	O MA02	AF11	O DQS4#
C12	P GNDPLL2	G02	O FPD01 / CPD10	M24	IO HA28	W04	O CS3#	AC12	IO MD32	AF12	IO MD36
C13	P VCCPLL3	G03	O FPD00 / CPD9	M25	IO HA21	W05	P VSUS25	AC13	O MA04	AF13	IO MD37
C14	IO HD60	G04	O ENVDD	M26	IO HA10	W07	P VCCM	AC14	O MA05	AF14	IO MD26
C15	IO HD46	G05	O ENVEE	N01	O FPD21 / DFD10 / strap	W20	P VCCM	AC15	O DQM3	AF15	IO MD29
C16	IO HD52	G08	P VCCFP	N02	O FPD22 / DFD11 / strap	W22	P GND	AC16	O MA08	AF16	IO MD28
C17	IO HD63	G09	P VCCFP	N03	O FPD20 / DFD09 / strap	W23	IO HIT#	AC17	O MA13	AF17	IO MD19
C18	IO HD41	G10	P VCCFP	N04	O FPD23 / DFD07	W24	IO DBSY#	AC18	P GND	AF18	O DQM2
C19	IO HD45	G11	P VCCFP	N05	P GND	W25	IO HTRDY#	AC19	O MA14	AF19	IO MD21
C20	IO HD38	G12	P VCCFP	N07	P VCCFP	W26	IO RS0#	AC20	O CKE0	AF20	IO MD20
C21	IO HD28	G13	P GND	N20	P VTT	Y01	IO MD59	AC21	O CKE2	AF21	IO MD15
C22	IO HD31	G14	P VTT	N22	P GND	Y02	P GND	AC22	O CKE1	AF22	O DQS1#
C23	IO HD25	G15	P VTT	N23	IO HA05	Y03	O CS1#	AC23	I MCLKFB	AF23	IO MD13
C24	IO HD30	G16	P VTT	N24	IO HA12	Y04	P GND	AC24	P GNDMCK	AF24	IO MD09
C25	IO HD07	G17	P VTT	N25	IO HA16	Y05	P VCCM	AC25	P GND	AF25	IO MD03
C26	IO HD03	G18	P VTT	N26	IO HA13	Y08	P VCCM	AC26	IO MD01	AF26	IO MD07

Center **VCC25** Pins (44 pins): H8-19, J8, J9, K8,19, L8,19, M8,19, N8,19, P8,19, R8,19, T8,19, V8,19, W8-19.

Center **GND** Pins (37 pins): G13, L11-16, M11-16, N11-16, P11-16, R11-16, T11-16

**Table 3. Pin List (Listed by Pin Name)**

Pin #	Pin Name	Pin #	Pin Name	Pin #	Pin Name	Pin #	Pin Name	Pin #	Pin Name	Pin #	Pin Name
A10	O AB	N01	O FPD21 / DFD10 / strap	P24	IO HA09	A15	IO HD54	AC09	IO MD40	K07	P VCCFP
B10	O AG	N02	O FPD22 / DFD11 / strap	M26	IO HA10	B15	IO HD55	AE08	IO MD41	L05	P VCCFP
AA25	IO ADS#	N04	O FPD23 / DFDET	R26	IO HA11	A14	IO HD56	AC07	IO MD42	L07	P VCCFP
B08	O AGPBUSY#	F01	O FPDE / CPD08	N24	IO HA12	A16	IO HD57	AF06	IO MD43	M05	P VCCFP
A07	I AGPSTDBY	F02	O FPDS / CPHS	N26	IO HA13	E13	IO HD58	AD08	IO MD44	M07	P VCCFP
C08	IO AGPSTP#	F03	O FPVS / CPVS	R23	IO HA14	D16	IO HD59	AF08	IO MD45	N07	P VCCFP
C07	I AGPSUSP	P04	I GCLK	M23	IO HA15	C14	IO HD60	AE06	IO MD46	AA24	P VCCCHK
C10	O AR	B13	P GND	N25	IO HA16	B14	IO HD61	AE05	IO MD47	U07	P VCCM
B07	I BISTIN	B16	P GND	K26	IO HA17	D15	IO HD62	AF05	IO MD48	V07	P VCCM
R22	IO BNR#	B19	P GND	H23	IO HA18	C17	IO HD63	AF04	IO MD49	V20	P VCCM
T26	IO BPR1#	B22	P GND	K24	IO HA19	W20	IO HIT#	AF01	IO MD50	W07	P VCCM
AA26	O BREQ0#	B25	P GND	K23	IO HA20	V23	I HITM#	AD03	IO MD51	W20	P VCCM
AC20	O CKE0	E06	P GND	M25	IO HA21	V25	I HLOCK#	AD04	IO MD52	Y05	P VCCM
AC22	O CKE1	E10	P GND	K25	IO HA22	U24	IO HREQ0#	AC04	IO MD53	Y08	P VCCM
AC21	O CKE2	E11	P GND	L23	IO HA23	T23	IO HREQ1#	AF02	IO MD54	Y09	P VCCM
AD23	O CKE3	E14	P GND	J24	IO HA24	U26	IO HREQ2#	AE01	IO MD55	Y10	P VCCM
E03	I CPCLK	E15	P GND	L26	IO HA25	V24	IO HREQ3#	AD01	IO MD56	Y11	P VCCM
D04	I CPD00	E18	P GND	H22	IO HA26	T25	IO HREQ4#	AB03	IO MD57	Y12	P VCCM
D03	I CPD01	E21	P GND	J25	IO HA27	A09	O HSYNC	AA02	IO MD58	Y13	P VCCM
D02	I CPD02	E25	P GND	M24	IO HA28	W25	IO HTRDY#	Y01	IO MD59	Y14	P VCCM
D01	I CPD03	G13	P GND	J23	IO HA29	B06	O INTA#	AD02	IO MD60	Y15	P VCCM
E02	I CPD04	H25	P GND	J26	IO HA30	AD10	O MA00	AC01	IO MD61	Y16	P VCCM
E01	I CPD05	J05	P GND	L24	IO HA31	AD11	O MA01	AA03	IO MD62	Y17	P VCCM
E04	I CPD06	K05	P GND	Y23	I HCLK	AC11	O MA02	AA01	IO MD63	Y18	P VCCM
F04	I CPD07	L22	P GND	H26	IO HD00	AB13	O MA03	AB07	P MEMVREF	Y19	P VCCM
H24	O CPURST#	L25	P GND	G23	IO HD01	AC13	O MA04	AB20	P MEMVREF	AA05	P VCCM
AA04	O CS0#	M22	P GND	E23	IO HD02	AC14	O MA05	AB10	- NC	AB08	P VCCM
Y03	O CS1#	N05	P GND	C26	IO HD03	AD14	O MA06	AC10	- NC	AB09	P VCCM
AC03	O CS2#	N22	P GND	G24	IO HD04	AB16	O MA07	W01	I PWROK	AB18	P VCCM
W04	O CS3#	P02	P GND	G22	IO HD05	AC16	O MA08	W03	I RESET#	AB19	P VCCM
W24	IO DBSY#	P05	P GND	G25	IO HD06	AB17	O MA09	W26	IO RS0#	AB21	P VCCM
H04	I DCLKI	P22	P GND	C25	IO HD07	AC06	O MA10	V26	IO RS1#	AB22	P VCCM
J04	O DCLKO	P25	P GND	F23	IO HD08	AB06	O MA11	Y25	IO RS2#	AB24	P VCCMCK
U23	IO DEFER#	U02	P GND	E24	IO HD09	AD06	O MA12	A11	A RSET	B12	P VCCPLL1
A06	IO DFTIN	U04	P GND	F26	IO HD10	AC17	O MA13	AB04	O SCAS#	D12	P VCCPLL2
AD25	O DQM0	U25	P GND	D26	IO HD11	AC19	O MA14	E09	IO SPCLK1	C13	P VCCPLL3
AD22	O DQM1	W22	P GND	F24	IO HD12	AC23	I MCLKFB	A08	IO SPCLK2	D10	P VCCRGB
AF18	O DQM2	Y02	P GND	D24	IO HD13	AB23	O MCLK	D09	IO SPDAT1	P07	P VCCVL
AC15	O DQM3	Y04	P GND	D25	IO HD14	AA23	IO MD00	C09	IO SPDAT2	R07	P VCCVL
AE11	O DQM4	Y22	P GND	G26	IO HD15	AC26	IO MD01	AD05	O SRAS#	T07	P VCCVL
AF07	O DQM5	AA22	P GND	B26	IO HD16	AD24	IO MD02	W02	I SUSST#	U05	P VCCVL
AF03	O DQM6	AB11	P GND	F25	IO HD17	AF25	IO MD03	AB05	O SWE#	V05	P VCCVL
AB02	O DQM7	AB12	P GND	E26	IO HD18	AB26	IO MD04	D05	O TVBL# / DVIDE	T03	O VDNCMD
AD26	IO DQS0#	AB14	P GND	B23	IO HD19	AB25	IO MD05	C02	O TVCLK / DVICLK	R02	O VDNSTB
AF22	IO DQS1#	AB15	P GND	D23	IO HD20	AE26	IO MD06	C03	I TVCLKR	R03	O VDNSTB#
AE18	IO DQS2#	AC02	P GND	A26	IO HD21	AF26	IO MD07	B02	O TVD00 / DVID00	V04	A VLNCOMP
AD15	IO DQS3#	AC05	P GND	B21	IO HD22	AE24	IO MD08	A02	O TVD01 / DVID01	U03	IO VLPAR
AF11	IO DQS4#	AC08	P GND	A25	IO HD23	AF24	IO MD09	B03	O TVD02 / DVID02	T04	P VLVREF
AD07	IO DQS5#	AC18	P GND	B24	IO HD24	AD21	IO MD10	A03	O TVD03 / DVID03	W05	P VLSUS25
AE03	IO DQS6#	AC25	P GND	C23	IO HD25	AD20	IO MD11	C04	O TVD04 / DVID04	B09	O VSYNC
AB01	IO DQS7#	AE02	P GND	A24	IO HD26	AE23	IO MD12	B04	O TVD05 / DVID05	E16	P VTT
Y26	IO DRDY#	AE04	P GND	D19	IO HD27	AF23	IO MD13	A04	O TVD06 / DVID06	E17	P VTT
C01	I DVIDET	AE07	P GND	C21	IO HD28	AE21	IO MD14	C05	O TVD07 / DVID07	E22	P VTT
H05	O ENBLT	AE10	P GND	D21	IO HD29	AF21	IO MD15	B05	O TVD08 / DVID08	F22	P VTT
G04	O ENVDD	AE13	P GND	C24	IO HD30	AE20	IO MD16	A05	O TVD09 / DVID09	G14	P VTT
G05	O ENVVEE	AE16	P GND	C22	IO HD31	AD19	IO MD17	C06	O TVD10 / DVID10	G15	P VTT
J03	O FPCLK / DFCLK	AE19	P GND	A22	IO HD32	AD18	IO MD18	D06	O TVE11 / DVID11	G16	P VTT
G03	O FPD00 / CPD9	AE22	P GND	A23	IO HD33	AF17	IO MD19	B01	O TVHS / DVIHS	G17	P VTT
G02	O FPD01 / CPD10	AE25	P GND	A21	IO HD34	AF20	IO MD20	A01	O TVVS / DVIVS	G18	P VTT
G01	O FPD02 / CPD11	D11	P GNDDAC	D22	IO HD35	AF19	IO MD21	P01	IO VAD0 / strap	G19	P VTT
H03	O FPD03 / CPCK1	Y24	P GNDHCK	A20	IO HD36	AE17	IO MD22	P03	IO VAD1 / strap	H20	P VTT
H02	O FPD04 / CPD12	AC24	P GNDMCK	B20	IO HD37	AD17	IO MD23	U01	IO VAD2 / strap	J20	P VTT
H01	O FPD05 / CPD13	A12	P GNDPLL1	C20	IO HD38	AD16	IO MD24	R04	IO VAD3 / strap	J22	P VTT
J02	O FPD06 / CPD14	C12	P GNDPLL2	A19	IO HD39	AE15	IO MD25	V03	IO VAD4	K20	P VTT
J01	O FPD07 / CPD15	A13	P GNDPLL3	B17	IO HD40	AF14	IO MD26	R01	IO VAD5	K22	P VTT
K03	O FPD08 / DFVS / strap	B11	P GNDRGB	C18	IO HD41	AF13	IO MD27	V01	IO VAD6	L20	P VTT
K02	O FPD09 / DFHS / strap	D07	IO GPIO0	D18	IO HD42	AF16	IO MD28	V02	IO VAD7	M20	P VTT
K01	O FPD10 / DFDE / strap	E07	IO GPIO1	D20	IO HD43	AF15	IO MD29	R05	IO VBE#	N20	P VTT
K04	O FPD11 / DFD00 / strap	D08	IO GPIO2	E19	IO HD44	AE14	IO MD30	C11	P VCCDAC	P20	P VTT
L04	O FPD12 / DFD01 / strap	E08	IO GPIO3	C19	IO HD45	AD13	IO MD31	E05	P VCCFP	R20	P VTT
L03	O FPD13 / DFD02 / strap	E20	P GTLVREF	C15	IO HD46	AC12	IO MD32	F05	P VCCFP	T20	P VTT
L02	O FPD14 / DFD03 / strap	T22	P GTLVREF	A17	IO HD47	AE12	IO MD33	G08	P VCCFP	U20	P VTT
L01	O FPD15 / DFD04 / strap	P26	IO HA03	D17	IO HD48	AF10	IO MD34	G09	P VCCFP	U22	P VTT
M04	O FPD16 / DFD05 / strap	R25	IO HA04	B18	IO HD49	AF09	IO MD35	G10	P VCCFP	V22	P VTT
M02	O FPD17 / DFD06 / strap	N23	IO HA05	D13	IO HD50	AF12	IO MD36	G11	P VCCFP	T05	I VUPCMD
M01	O FPD18 / DFD07 / strap	P23	IO HA06	A18	IO HD51	AD12	IO MD37	G12	P VCCFP	T02	I VUPSTB
M03	O FPD19 / DFD08 / strap	T24	IO HA07	C16	IO HD52	AD09	IO MD38	H07	P VCCFP	T01	I VUPSTB#
N03	O FPD20 / DFD09 / strap	R24	IO HA08	D14	IO HD53	AE09	IO MD39	J07	P VCCFP	E12	I XIN

Center **VCC25** Pins (44 pins): H8-19, J8,19, K8,19, L8,19, M8,19, N8,19, P8,19, R8,19, T8,19, V8,19, W8-19.  
Center **GND** Pins (37 pins): G13, L11-16, M11-16, N11-16, P11-16, R11-16, T11-16



## Pin Descriptions

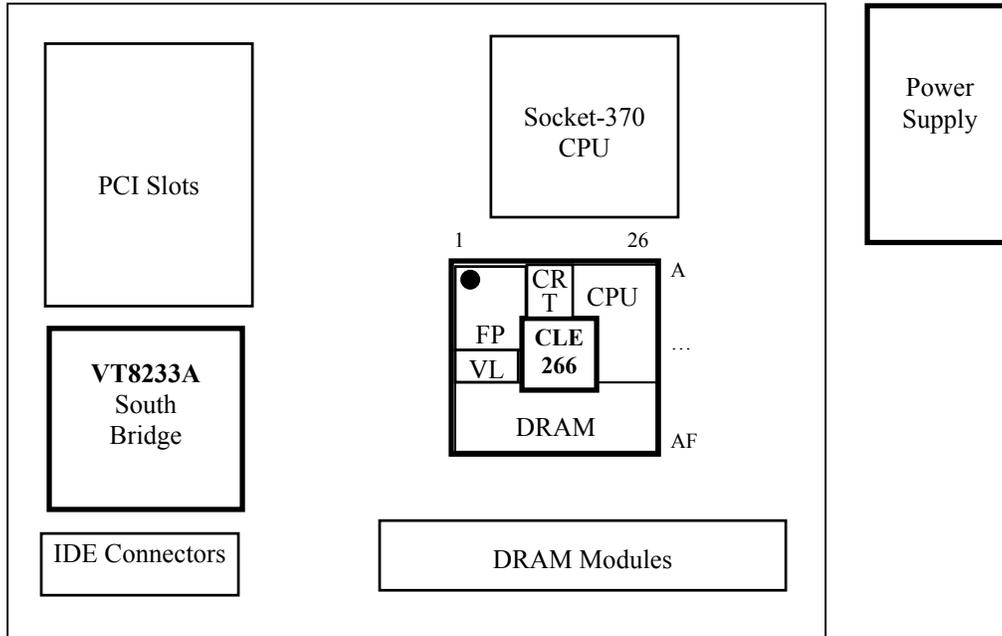
**Table 4. Pin Descriptions**

<b>CPU Interface</b>																					
<b>Signal Name</b>	<b>Pin #</b>	<b>I/O</b>	<b>Signal Description</b>																		
<b>HA[31:3]#</b>	(see pin list)	IO	<b>Host Address Bus.</b> HA[31:3] connect to the address bus of the host CPU. During CPU cycles HA[31:3] are inputs. These signals are driven by the CLE266 North Bridge during cache snooping operations.																		
<b>HD[63:0]#</b>	(see pin list)	IO	<b>Host CPU Data.</b> These signals are connected to the CPU data bus.																		
<b>ADS#</b>	AA25	IO	<b>Address Strobe.</b> The CPU asserts ADS# in T1 of the CPU bus cycle.																		
<b>BNR#</b>	R22	IO	<b>Block Next Request.</b> Used to block the current request bus owner from issuing new requests. This signal is used to dynamically control the processor bus pipeline depth.																		
<b>BPRI#</b>	T26	IO	<b>Priority Agent Bus Request.</b> The owner of this signal will always be the next bus owner. This signal has priority over symmetric bus requests and causes the current symmetric owner to stop issuing new transactions unless the HLOCK# signal is asserted. The CLE266 North Bridge drives this signal to gain control of the processor bus.																		
<b>DBSY#</b>	W24	IO	<b>Data Bus Busy.</b> Used by the data bus owner to hold the data bus for transfers requiring more than one cycle.																		
<b>DEFER#</b>	U23	IO	<b>Defer.</b> A dynamic deferring policy is used to optimize system performance. The DEFER# signal is also used to indicate a processor retry response.																		
<b>DRDY#</b>	Y26	IO	<b>Data Ready.</b> Asserted for each cycle that data is transferred.																		
<b>HIT#</b>	W23	IO	<b>Hit.</b> Indicates that a caching agent holds an unmodified version of the requested line. Also driven in conjunction with HITM# by the target to extend the snoop window.																		
<b>HITM#</b>	V23	I	<b>Hit Modified.</b> Asserted by the CPU to indicate that the address presented with the last assertion of EADS# is modified in the L1 cache and needs to be written back.																		
<b>HLOCK#</b>	V25	I	<b>Host Lock.</b> All CPU cycles sampled with the assertion of HLOCK# and ADS# until the negation of HLOCK# must be atomic.																		
<b>HREQ[4:0]#</b>	T25, V24, U26, T23, U24	IO	<b>Request Command.</b> Asserted during both clocks of the request phase. In the first clock, the signals define the transaction type to a level of detail that is sufficient to begin a snoop request. In the second clock, the signals carry additional information to define the complete transaction type.																		
<b>HTRDY#</b>	W25	IO	<b>Host Target Ready.</b> Indicates that the target of the processor transaction is able to enter the data transfer phase.																		
<b>RS[2:0]#</b>	Y25, V26, W26	IO	<b>Response Signals.</b> Indicates the type of response per the table below: <table border="1" style="margin-left: 20px;"> <thead> <tr> <th><b>RS[2:0]#</b></th> <th><b>Response type</b></th> </tr> </thead> <tbody> <tr> <td>000</td> <td>Idle State</td> </tr> <tr> <td>001</td> <td>Retry Response</td> </tr> <tr> <td>010</td> <td>Defer Response</td> </tr> <tr> <td>011</td> <td>Reserved</td> </tr> <tr> <td>100</td> <td>Hard Failure</td> </tr> <tr> <td>101</td> <td>Normal Without Data</td> </tr> <tr> <td>110</td> <td>Implicit Writeback</td> </tr> <tr> <td>111</td> <td>Normal With Data</td> </tr> </tbody> </table>	<b>RS[2:0]#</b>	<b>Response type</b>	000	Idle State	001	Retry Response	010	Defer Response	011	Reserved	100	Hard Failure	101	Normal Without Data	110	Implicit Writeback	111	Normal With Data
<b>RS[2:0]#</b>	<b>Response type</b>																				
000	Idle State																				
001	Retry Response																				
010	Defer Response																				
011	Reserved																				
100	Hard Failure																				
101	Normal Without Data																				
110	Implicit Writeback																				
111	Normal With Data																				
<b>CPURST#</b>	H24	O	<b>CPU Reset.</b> Reset output to CPU. External pullup and filter capacitor to ground should be provided per CPU manufacturer's recommendations.																		
<b>BREQ0#</b>	AA26	O	<b>Bus Request 0.</b> Bus request output to CPU.																		

Note: Clocking of the CPU interface is performed with HCLK.

Note: Internal pullup resistors are provided on all GTL interface pins. If the CPU does not have internal pullups, the North Bridge internal pullups may be enabled to allow the interface to meet GTL bus interface specifications (see strap descriptions).

The pinouts were defined assuming the ATX PCB layout model shown below (and general pin layout shown) as a guide for PCB component placement. Other PCB layouts (AT, LPX and NLX) were also considered and can typically follow the same general component placement.



V-Link Interface							
Signal Name	Pin #	I/O	Signal Description				
VAD7,	V2	IO	Address/Data Bus.				
VAD6,	V1	IO					
VAD5,	R1	IO					
VAD4,	V3	IO	<u>Strap</u>	<u>Function</u>	<u>Setting (L=strap low, H=strap high)</u>	<u>Register</u>	<u>SB Pin</u>
VAD3 / strap,	R4	IO	VAD3	GTL Pullup Enable	L=Disable, H=Enable	Rx50[6]	SA19
VAD2 / strap,	U1	IO	VAD2	IOQ Depth	L=1-Level, H=8-Level	Rx50[7]	SA18
VAD1 / strap,	P3	IO	VAD1	CPU FSB Clock Msb	LL=66 MHz, LH=100 MHz	Rx54[7]	SA17
VAD0 / strap	P1	IO	VAD0	CPU FSB Clock Lsb	Hx=133 MHz	Rx54[6]	SA16
VLPAR	U3	IO	Parity.				
VBE#	R5	IO	Byte Enable.				
VUPCMD	T5	I	Command from Client-to-Host.				
VUPSTB	T2	I	Strobe from Client-to-Host.				
VUPSTB#	T1	I	Complement Strobe from Client-to-Host.				
VDNCMD	T3	O	Command from Host-to-Client.				
VDNSTB	R2	O	Strobe from Host-to-Client.				
VDNSTB#	R3	O	Complement Strobe from Host-to-Client.				

<b>DDR Synchronous DRAM Memory Interface</b>			
<b>Signal Name</b>	<b>Pin #</b>	<b>I/O</b>	<b>Signal Description</b>
<b>MD[63:0]</b>	(see pinout tables)	IO	<b>Memory Data.</b> These signals are connected to the DRAM data bus. Output drive strength may be set by Device 0 Rx6D[1-0].
<b>MA[14:0]</b>	AC19, AC17, AD6, AB6, AC6, AB17, AC16, AB16, AD14, AC14, AC13, AB13, AC11, AD11, AD10	O	<b>Memory Address.</b> DRAM address lines. Output drive strength may be set by Device 0 Rx6C[7-6].
<b>CS[3:0]#</b>	W4, AC3, Y3, AA4	O	<b>Chip Select.</b> Chip select of each bank. Output drive strength may be set by Device 0 Rx6D[3-2].
<b>DQM[7:0]</b>	AB2, AF3, AF7, AE11, AC15, AF18, AD22, AD25	O	<b>Data Mask.</b> Data mask of each byte lane. Output drive strength may be set by Device 0 Rx6D[5-4].
<b>DQS[7:0]#</b>	AB1, AE3, AD7, AF11, AD15, AE18, AF22, AD26	IO	<b>DDR Data Strobe.</b> Data strobe of each byte lane. Output drive strength may be set by Device 0 Rx6C[3-2].
<b>SRAS#</b>	AD5	O	<b>Row Address Command Indicator.</b> Output drive strength may be set by Device 0 Rx6C[7-4].
<b>SCAS#</b>	AB4	O	<b>Column Address Command Indicator.</b> Output drive strength may be set by Device 0 Rx6C[7-4].
<b>SWE#</b>	AB5	O	<b>Write Enable Command Indicator.</b> Output drive strength may be set by Device 0 Rx6C[7-4].
<b>CKE[3:0]</b>	AD23, AC21, AC22, AC20	O	<b>Clock Enables.</b> Clock enables for each DRAM bank for powering down the SDRAM or clock control for reducing power usage and for reducing heat / temperature in high-speed memory systems. See Device 0 Rx6B[4].

<b>SMB / I2C Interface</b>			
<b>Signal Name</b>	<b>Pin #</b>	<b>I/O</b>	<b>Signal Description</b>
<b>SPCLK[2:1]</b>	A8, E9	IO	<b>Serial Port (SMB/I2C) Clocks.</b> These are the clocks for serial data transfer. SPCLK1 is typically used for DDC communications with a CRT monitor. As an output, it is programmed via CRA0[0]. As an input, its status is read via CRA0[2]. In either case the serial port must be enabled by CRA0[4] = 1. SPCLK2 is typically used for I <sup>2</sup> C communications. As an output, it is programmed via CRB1[0]. As an input, its status is read via CRB1[2]. The port is enabled via CRB1[4] = 1.
<b>SPDAT[2:1]</b>	C9, D9	IO	<b>Serial Port (SMB/I2C) Data.</b> These are the data signals used for serial data transfer. SPDAT1 is typically used for DDC communications with a CRT monitor. As an output, it is programmed via CRA0[1]. As an input, its status is read via CRA0[3]. In either case the serial port must be enabled by CRA0[4] = 1. SPDAT2 is typically used for I <sup>2</sup> C communications. As an output, it is programmed via CRB1[1]. As an input, its status is read via CRB1[3]. The port is enabled via CRB1[4] = 1.

<b>Digital Monitor (DVI) Interface</b>			
<b>Signal Name</b>	<b>Pin #</b>	<b>I/O</b>	<b>Signal Description</b>
<b>DVID11</b> / TVD11, <b>DVID10</b> / TVD10, <b>DVID09</b> / TVD9, <b>DVID08</b> / TVD8, <b>DVID07</b> / TVD7, <b>DVID06</b> / TVD6, <b>DVID05</b> / TVD5, <b>DVID04</b> / TVD4, <b>DVID03</b> / TVD3, <b>DVID02</b> / TVD2, <b>DVID01</b> / TVD1, <b>DVID00</b> / TVD0	D6 C6 A5 B5 C5 A4 B4 C4 A3 B3 A2 B2	O	<b>Digital Monitor Data Out.</b> Internally pulled down during reset
<b>DVICLK</b> / TVCLK	C2	O	<b>Digital Monitor Clock Out.</b> Internally pulled down during reset
<b>DVIHS</b> / TVHS	B1	O	<b>Digital Monitor Horizontal Sync.</b> Internally pulled down during reset
<b>DVIVS</b> / TVVS	A1	O	<b>Digital Monitor Vertical Sync.</b> Internally pulled down during reset
<b>DVIDE</b> / TVBL#	D5	O	<b>Digital Monitor Display Enable.</b> Indicates valid data on DVID[11:0]. Internally pulled down during reset
<b>DVIDET</b> / NC	C1	I	<b>Digital Monitor Detect.</b> Rx?? will read 1 if a digital monitor is connected. Must be tied to GND if not used.

<b>TV Encoder Interface</b>			
<b>Signal Name</b>	<b>Pin #</b>	<b>I/O</b>	<b>Signal Description</b>
<b>TVD11</b> / DVID11, <b>TVD10</b> / DVID10, <b>TVD9</b> / DVID09, <b>TVD8</b> / DVID08, <b>TVD7</b> / DVID07, <b>TVD6</b> / DVID06, <b>TVD5</b> / DVID05, <b>TVD4</b> / DVID04, <b>TVD3</b> / DVID03, <b>TVD2</b> / DVID02, <b>TVD1</b> / DVID01, <b>TVD0</b> / DVID00	D6 C6 A5 B5 C5 A4 B4 C4 A3 B3 A2 B2	O	<b>TV Encoder Data.</b> Internally pulled down during reset
<b>TVCLKR</b> / NC	C3	I	<b>TV Encoder Clock In.</b> Input clock from encoder. Internally pulled down.
<b>TVCLK</b> / DVICLK	C2	O	<b>TV Encoder Clock Out.</b> Output clock to TV encoder. Internally pulled down.
<b>TVHS</b> / DVIHS	B1	O	<b>TV Encoder Horizontal Sync.</b> Internally pulled down during reset
<b>TVVS</b> / DVIVS	A1	O	<b>TV Encoder Vertical Sync.</b> Internally pulled down during reset
<b>TVBL#</b> / DVIDE	D5	O	<b>TV Encoder Blanking.</b> Internally pulled down during reset

<b>CRT Interface</b>			
<b>Signal Name</b>	<b>Pin #</b>	<b>I/O</b>	<b>Signal Description</b>
<b>AR</b>	C10	A	<b>Analog Red.</b> Analog red output to the CRT monitor.
<b>AB</b>	A10	A	<b>Analog Blue.</b> Analog blue output to the CRT monitor.
<b>AG</b>	B10	A	<b>Analog Green.</b> Analog green output to the CRT monitor.
<b>HSYNC</b>	A9	O	<b>Horizontal Sync.</b> Output to CRT.
<b>VSYNC</b>	B9	O	<b>Vertical Sync.</b> Output to CRT.
<b>RSET</b>	A11	A	<b>Reference Resistor.</b> Tie to GNDRGB through an external $147\ \Omega \pm 1\%$ resistor to control the RAMDAC full-scale current value.

<b>Direct LCD Panel Interface</b>																																																			
<b>Signal Name</b>	<b>Pin #</b>	<b>I/O</b>	<b>Signal Description</b>																																																
<b>FPD23 / DFDET,</b>	N4	O	<b>Flat Panel Data Out.</b> Bits 8-22 also function as strap inputs that are sampled on the rising edge of RESET#. These straps are defined per the table below. "L" indicates strap low (4.7K $\Omega$ to ground), "H" = strap high (4.7K $\Omega$ to 10K $\Omega$ t 3.3V). See Design Guide for details.																																																
<b>FPD22 / DFD11 / strap,</b>	N2	O																																																	
<b>FPD21 / DFD10 / strap,</b>	N1	O																																																	
<b>FPD20 / DFD09 / strap,</b>	N3	O																																																	
<b>FPD19 / DFD08 / strap,</b>	M3	O																																																	
<b>FPD18 / DFD07 / strap,</b>	M1	O																																																	
<b>FPD17 / DFD06 / strap,</b>	M2	O																																																	
<b>FPD16 / DFD05 / strap,</b>	M4	O																																																	
<b>FPD15 / DFD04 / strap,</b>	L1	O																																																	
<b>FPD14 / DFD03 / strap,</b>	L2	O																																																	
<b>FPD13 / DFD02 / strap,</b>	L3	O																																																	
<b>FPD12 / DFD01 / strap,</b>	L4	O																																																	
<b>FPD11 / DFD00 / strap,</b>	K4	O																																																	
<b>FPD10 / DFDE / strap,</b>	K1	O																																																	
<b>FPD9 / DFHS / strap,</b>	K2	O																																																	
<b>FPD8 / DFVS / strap,</b>	K3	O																																																	
<b>FPD7 / CPD15,</b>	J1	O																																																	
<b>FPD6 / CPD14,</b>	J2	O																																																	
<b>FPD5 / CPD13,</b>	H1	O																																																	
<b>FPD4 / CPD12,</b>	H2	O																																																	
<b>FPD3 / CPCK1,</b>	H3	O																																																	
<b>FPD2 / CPD11,</b>	G1	O																																																	
<b>FPD1 / CPD10,</b>	G2	O																																																	
<b>FPD0 / CPD09</b>	G3	O																																																	
<b>FPD22</b>			<table border="1"> <thead> <tr> <th>Strap</th> <th>Function</th> <th>Setting</th> <th>Register</th> </tr> </thead> <tbody> <tr> <td>FPD22</td> <td>Reserved for Test</td> <td>Always Strap Low</td> <td>–</td> </tr> <tr> <td>FPD21-20</td> <td>TV Mode</td> <td>LL=PAL, LH=NTSC, HL=PAL-N, HH=PAL-NC</td> <td>EXSR13[4:3]</td> </tr> <tr> <td>FPD19</td> <td>TV # of Lines</td> <td>L=525 Lines, H=625 Lines</td> <td>EXSR12[6]</td> </tr> <tr> <td>FPD18</td> <td>DVI Port Configuration</td> <td>L=DVI, H=TV</td> <td>EXSR12[5]</td> </tr> <tr> <td>FPD17</td> <td>Panel Interface Config</td> <td>L=DVI / Capture, H=Panel</td> <td>EXSR12[4]</td> </tr> <tr> <td>FPD16-13</td> <td>Panel Type</td> <td>Customer Defined (contact VIA)</td> <td>EXSR12[3:0]</td> </tr> <tr> <td>FPD12</td> <td>Reserved for Test</td> <td>Always Strap Low</td> <td>–</td> </tr> <tr> <td>FPD11</td> <td>Reserved for Test</td> <td>Always Strap Low</td> <td>–</td> </tr> <tr> <td>FPD10</td> <td>Reserved for Test</td> <td>Always Strap Low</td> <td>–</td> </tr> <tr> <td>FPD9</td> <td>Reserved for Test</td> <td>Always Strap Low</td> <td>–</td> </tr> <tr> <td>FPD8</td> <td>Reserved for Test</td> <td>Always Strap Low</td> <td>–</td> </tr> </tbody> </table>	Strap	Function	Setting	Register	FPD22	Reserved for Test	Always Strap Low	–	FPD21-20	TV Mode	LL=PAL, LH=NTSC, HL=PAL-N, HH=PAL-NC	EXSR13[4:3]	FPD19	TV # of Lines	L=525 Lines, H=625 Lines	EXSR12[6]	FPD18	DVI Port Configuration	L=DVI, H=TV	EXSR12[5]	FPD17	Panel Interface Config	L=DVI / Capture, H=Panel	EXSR12[4]	FPD16-13	Panel Type	Customer Defined (contact VIA)	EXSR12[3:0]	FPD12	Reserved for Test	Always Strap Low	–	FPD11	Reserved for Test	Always Strap Low	–	FPD10	Reserved for Test	Always Strap Low	–	FPD9	Reserved for Test	Always Strap Low	–	FPD8	Reserved for Test	Always Strap Low	–
Strap	Function	Setting	Register																																																
FPD22	Reserved for Test	Always Strap Low	–																																																
FPD21-20	TV Mode	LL=PAL, LH=NTSC, HL=PAL-N, HH=PAL-NC	EXSR13[4:3]																																																
FPD19	TV # of Lines	L=525 Lines, H=625 Lines	EXSR12[6]																																																
FPD18	DVI Port Configuration	L=DVI, H=TV	EXSR12[5]																																																
FPD17	Panel Interface Config	L=DVI / Capture, H=Panel	EXSR12[4]																																																
FPD16-13	Panel Type	Customer Defined (contact VIA)	EXSR12[3:0]																																																
FPD12	Reserved for Test	Always Strap Low	–																																																
FPD11	Reserved for Test	Always Strap Low	–																																																
FPD10	Reserved for Test	Always Strap Low	–																																																
FPD9	Reserved for Test	Always Strap Low	–																																																
FPD8	Reserved for Test	Always Strap Low	–																																																
<b>FPVS / CPVS</b>	F3	O	<b>Flat Panel Vertical Sync.</b> Internally pulled down.																																																
<b>FPHS / CPHS</b>	F2	O	<b>Flat Panel Horizontal Sync.</b> Internally pulled down.																																																
<b>FPDE / CPD08</b>	F1	O	<b>Flat Panel Data Enable.</b> Internally pulled down.																																																
<b>FPCLK / DFCLK</b>	J3	O	<b>Flat Panel Clock.</b> Internally pulled down during reset.																																																
<b>ENVDD</b>	G4	O	<b>Enable VDD.</b> This signal is driven high to initiate a flat panel power up sequence.																																																
<b>ENVEE</b>	G5	O	<b>Enable VEE.</b> This signal is driven high for a programmable time after ENVDD is driven high during a flat panel power up sequence.																																																
<b>ENBLT</b>	H5	O	<b>Enable Backlight.</b>																																																

Video Capture Interface			
Signal Name	Pin #	I/O	Signal Description
CPD15 / FPD7, CPD14 / FPD6, CPD13 / FPD5, CPD12 / FPD4, CPD11 / FPD2, CPD10 / FPD1, CPD09 / FPD0, CPD08 / FPDE CPD07 CPD06 CPD05 CPD04 CPD03 CPD02 CPD01 CPD00	J1 J2 H1 H2 G1 G2 G3 F1 F4 E4 E1 E2 D1 D2 D3 D4	I	<b>Flat Panel Data Out.</b>
CPVS / FPVS	F3	I	<b>Video Capture Vertical Sync.</b> Internally pulled down.
CPHS / FPHS	F2	I	<b>Video Capture Horizontal Sync.</b> Internally pulled down.
CPCLK	E3	I	<b>Video Capture Clock 0.</b> Clock for capture data inputs 0-7 (or 0-15 when capture port is configured as 16-bit)
CPCK1 / FPD3	H3	I	<b>Video Capture Clock 1.</b> Clock for capture data inputs 8-15 when used as a second 8-bit capture port.

Note: The Video Capture Port may always be used in 8-bit input mode. The “upper” data bits (CPD[15:8]) may be used as a 16-bit extension or as a second 8-bit port if the 24-bit direct flat panel interface is not used.

Alternate Digital Monitor (DVI) Interface			
Signal Name	Pin #	I/O	Signal Description
DFD11 / FPD22, DFD10 / FPD21, DFD09 / FPD20, DFD08 / FPD19, DFD07 / FPD18, DFD06 / FPD17, DFD05 / FPD16, DFD04 / FPD15, DFD03 / FPD14, DFD02 / FPD13, DFD01 / FPD12, DFD00 / FPD11	N2 N1 N3 M3 M1 M2 M4 L1 L2 L3 L4 K4	O	<b>Digital Monitor Data Out.</b>
DFCLK / FPCLK	J3	O	<b>Digital Monitor Clock.</b> Internally pulled down during reset.
DFHS / FPD9	K2	O	<b>Digital Monitor Horizontal Sync.</b> Internally pulled down during reset
DFVS / FPD8	K3	O	<b>Digital Monitor Vertical Sync.</b> Internally pulled down during reset
DFDE / FPD10	K1	O	<b>Digital Monitor Display Enable.</b> Indicates valid data on DFD[11:0]. Internally pulled down during reset
DFDET / FPD23	N4	O	<b>Digital Monitor Detect.</b> Rx?? will read 1 if a digital monitor is connected. Must be tied to GND if not used.

Note: All “DFxxx” pins perform the same function as the “DMxxx” pins (the other DVI interface muxed with the TV-out pins).

<b>Clocks, Resets, Power Control, General Purpose I/O, Interrupts and Test</b>			
<b>Signal Name</b>	<b>Pin #</b>	<b>I/O</b>	<b>Signal Description</b>
<b>HCLK</b>	Y23	I	<b>Host Clock.</b> This pin receives the host CPU clock (100 / 133 MHz). This clock is used by all CLE266 logic that is in the host CPU domain.
<b>MCLK</b>	AB23	O	<b>Memory (SDRAM) Clock.</b> Output from the internal clock generator to the external clock buffer.
<b>MCLKFB</b>	AC23	I	<b>Memory (SDRAM) Clock Feedback.</b> Input from the external clock buffer.
<b>DCLKI</b>	H4	I	<b>Dot Clock (Pixel Clock) In.</b> Used for external EMI reduction circuit if used. Loop back from DCLKO if external EMI reduction circuit not implemented.
<b>DCLKO</b>	J4	O	<b>Dot Clock (Pixel Clock) Out.</b> Used for external EMI reduction circuit if used. Loop back to DCLKI if external EMI reduction circuit not implemented.
<b>XIN</b>	E12	I	<b>Reference Frequency Input.</b> 14.31818 MHz reference clock input for the internal graphics controller Phase Locked Loops (PLLs). All internal graphics controller clocks are synthesized on chip using this frequency as a reference.
<b>RESET#</b>	W3	I	<b>Reset.</b> When asserted low, this signal resets the internal logic of the chip and sets all register bits to their default values. The rising edge of this signal is used to sample all power-up strap options. Normally driven by the South Bridge.
<b>PWROK</b>	W1	I	<b>Power OK.</b> When asserted high, this signal indicates that system voltages are correct and stable. Driven by on-board Power Good circuitry. Also connected to the chipset South Bridge.
<b>SUSST#</b>	W2	I	<b>Suspend Status.</b> For implementation of the Suspend-to-DRAM feature. Normally driven by the South Bridge. Connect to an external pullup if not used.
<b>INTA#</b>	B6	O	<b>Interrupt.</b> PCI interrupt output (handled by the interrupt controller in the South Bridge)
<b>AGPBUSY#</b>	B8	O	<b>AGP Interface Busy.</b> Connect to a South Bridge GPIO pin for monitoring the status of the internal AGP bus. See CLE266 Design Guide for details.
<b>GPIO0</b>	D7	O	<b>General Purpose Input / Output 0.</b>
<b>GPIO1</b>	E7	O	<b>General Purpose Input / Output 1.</b>
<b>GPIO2</b>	D8	O	<b>General Purpose Input / Output 2.</b>
<b>GPIO3</b>	E8	O	<b>General Purpose Input / Output 3.</b>
<b>AGPSTOP#</b>	C8	I	<b>AGP Stop.</b> Assert low to stop the internal AGP interface (for power measurement only, not used in normal operation)
<b>AGPSTDBY</b>	A7	I	<b>AGP Standby.</b> Assert high to put the internal AGP interface into standby mode (for power measurement only, not used in normal operation)
<b>AGPSUSP</b>	C7	I	<b>AGP Suspend.</b> Assert high to put the internal AGP interface into suspend mode (for power measurement only, not used in normal operation)
<b>GCLK</b>	P4	I	<b>Graphics Clock.</b> 66 MHz clock from system clock synthesizer.
<b>BISTIN</b>	B7	I	<b>BIST (Built-In-Self-Test) In.</b> This pin is used for testing and must be tied low on all board designs.
<b>DFTIN</b>	A6	I	<b>DFT (Design-For-Test) In.</b> This pin is used for testing and must be tied low on all board designs.
<b>NC</b>	AB10, AC10	–	<b>No Connect.</b> Do not connect. Reserved for future use.

<b>Power, Ground and Test</b>			
<b>Signal Name</b>	<b>Pin #</b>	<b>I/O</b>	<b>Signal Description</b>
<b>VTT</b>	(see pin list)	P	<b>Power for CPU I/O Interface Logic.</b> Voltage is CPU dependent. See CLE266 Design Guide for details.
<b>GTLVREF</b>	E20, T22	P	<b>CPU Interface GTL+ Voltage Reference.</b> 2/3 VTT $\pm 2\%$ typically derived using a resistive voltage divider. See CLE266 Design Guide for details.
<b>VCCM</b>	(see pin list)	P	<b>Power for Memory I/O Interface Logic.</b> 2.5 $\pm 5\%$ .
<b>MEMVREF</b>	AB7, AB20	P	<b>Memory Voltage Reference.</b>
<b>VCCVL</b>	P7, R7, T7, U5, V5	P	<b>Power for V-Link I/O Interface Logic.</b> 2.5V $\pm 5\%$ .
<b>VLCOMP</b>	V4	I	<b>V-Link P-Channel Compensation.</b> Connect 70 $\Omega$ 1% resistor to ground.
<b>VLVREF</b>	T4	P	<b>V-Link Voltage Reference.</b> 0.9V derived using a resistive voltage divider between VCC25 and ground (see Design Guide for details).
<b>VCC25</b>	(see pin list)	P	<b>Power for Internal Digital Logic.</b> 2.5V $\pm 5\%$ .
<b>VSUS25</b>	W5	P	<b>Suspend Power.</b> 2.5V $\pm 5\%$ .
<b>VCCHCK</b>	AA24	P	<b>Power for Host CPU Clock DLL.</b> 2.5V $\pm 5\%$ .
<b>VCCMCK</b>	AB24	P	<b>Power for Memory Clock DLL.</b> 2.5V $\pm 5\%$ .
<b>VCCFP</b>	(see pin table)	P	<b>Power for Flat Panel, DVI, TV-Out and Video Capture Interfaces.</b> 3.3V $\pm 5\%$ .
<b>VCCRGB</b>	D10	P	<b>Power for CRT RGB Outputs.</b> 2.5V $\pm 5\%$ .
<b>VCCDAC</b>	C11	P	<b>Power for DAC Digital Logic.</b> 2.5V $\pm 5\%$ .
<b>VCCPLL1</b>	B12	P	<b>Power for Graphics Controller PLL 1.</b> 2.5V $\pm 5\%$ .
<b>VCCPLL2</b>	D12	P	<b>Power for Graphics Controller PLL 2.</b> 2.5V $\pm 5\%$ .
<b>VCCPLL3</b>	C13	P	<b>Power for Graphics Controller PLL 3.</b> 2.5V $\pm 5\%$ .
<b>GND</b>	(see pin table)	P	<b>Ground for Internal Digital Logic.</b> Connect to primary PCB ground plane.
<b>GNDHCK</b>	Y24	P	<b>Ground for Host CPU Clock Circuitry.</b> Connect to main ground plain through a ferrite bead.
<b>GNDMCK</b>	AC24	P	<b>Ground for Memory Clock Circuitry.</b> Connect to main ground plain through a ferrite bead.
<b>GNDRGB</b>	B11	P	<b>Connection Point for RGB Load Resistors.</b>
<b>GNDDAC</b>	D11	P	<b>Ground for DAC Digital Circuitry.</b>
<b>GNDPLL1</b>	A12	P	<b>Ground for Graphics Controller PLL 1.</b>
<b>GNDPLL2</b>	C12	P	<b>Ground for Graphics Controller PLL 2.</b>
<b>GNDPLL3</b>	A13	P	<b>Ground for Graphics Controller PLL 3.</b>



# REGISTERS

## Register Overview

The following tables summarize the configuration and I/O registers. These tables also document the power-on default value (“Default”) and access type (“Acc”) for each register. Access type definitions used are RW (Read/Write), RO (Read/Only), “—” for reserved / used (essentially the same as RO) and RWC (or just WC) (Read / Write 1’s to Clear individual bits). Registers indicated as RW may have some read/only bits that always read back a fixed value (usually 0 if unused); registers designated as RWC or WC may have some read-only or read write bits (see individual register descriptions following these tables for details). All offset and default values are shown in hexadecimal unless otherwise indicated.

**Table 5. Registers**

### I/O Ports

<b>Port #</b>	<b>I/O Port</b>	<b>Default</b>	<b>Acc</b>
0022	PCI / AGP Arbiter Disable	00	RW
0CFB-0CF8	Configuration Address	0000 0000	RW
0CFF-0CFC	Configuration Data	0000 0000	RW

**Device 0 Registers - Host Bridge**
**Header Registers**

Offset	Configuration Space Header	Default	Acc
1-0	Vendor ID	<b>1106</b>	RO
3-2	Device ID	<b>3123</b>	RO
5-4	Command	<b>0006</b>	<b>RW</b>
7-6	Status	<b>0210</b>	<b>WC</b>
8	Revision ID	<b>0n</b>	RO
9	Program Interface	00	RO
A	Sub Class Code	00	RO
B	Base Class Code	<b>06</b>	RO
C	-reserved-	00	—
D	Latency Timer	00	<b>RW</b>
E	Header Type	00	RO
F	Built In Self Test (BIST)	00	RO
13-10	Graphics Aperture Base	<b>0000 0008</b>	<b>RW</b>
14-2B	-reserved-	00	—
2D-2C	Subsystem Vendor ID	0000	<b>W1</b>
2F-2E	Subsystem ID	0000	<b>W1</b>
30-33	-reserved-	00	—
34	Capability Pointer	<b>A0</b>	RO
35-3F	-reserved-	00	—

**Device-Specific Registers**

Offset	V-Link Control	Default	Acc
40	V-Link Revision ID	00	<b>RO</b>
41	V-Link NB Capability	<b>18</b>	<b>RO</b>
42	V-Link NB Downlink Command	<b>88</b>	RW
44-43	V-Link NB Uplink Status	<b>8280</b>	<b>RO</b>
45	V-Link NB Bus Timer	<b>44</b>	RW
46	V-Link Misc NB Control	00	RW
47	V-Link Control	00	RW
48	V-Link NB/SB Configuration	<b>18</b>	RW
49	V-Link SB Capability	<b>18</b>	RW
4A	V-Link SB Downlink Status	<b>88</b>	<b>RO</b>
4C-4B	V-Link SB Uplink Command	<b>8280</b>	RW
4D	V-Link SB Bus Timer	<b>44</b>	RW
4E	CCA Master High Priority	00	RW
4F	V-Link SB Miscellaneous Control	00	RW

Offset	Host CPU Protocol Control	Default	Acc
50	CPU Interface Request Phase Control	<b>20</b>	RW
51	CPU Interface Basic Control	00	RW
52	CPU Interface Advanced Control	00	RW
53	CPU Interface Arbitration Control	<b>03</b>	RW
54	CPU Miscellaneous Control	00	RW

**Device-Specific Registers (continued)**

Offset	DRAM Control	Default	Acc
55	DRAM Control	00	RW
56-57	-reserved-	00	—
58	MA Map Type	<b>22</b>	RW
59	-reserved-	00	—
5F-5A	DRAM Row Ending Address:		
5A	Bank 0 Ending (HA[31:24])	<b>01</b>	RW
5B	Bank 1 Ending (HA[31:24])	<b>01</b>	RW
5C	Bank 2 Ending (HA[31:24])	<b>01</b>	RW
5D	Bank 3 Ending (HA[31:24])	<b>01</b>	RW
5E-5F	-reserved-	<b>01</b>	RW
60	DRAM Type	00	RW
61	ROM Shadow Control C0000-CFFFF	00	RW
62	ROM Shadow Control D0000-DFFFF	00	RW
63	ROM Shadow Control E0000-FFFFF	00	RW
64	DRAM Timing for All Banks	<b>E4</b>	RW
65	DRAM Arbitration Timer	00	RW
66	DRAM Arbitration Control	00	RW
67	DRAM DQS/SDR/MD Read Delay	00	RW
68	DRAM DDR Control	00	RW
69	Extended SMRAM Control	00	RW
6A	DRAM Refresh Counter	00	RW
6B	DRAM Arbitration Control	00	RW
6C	SDRAM Control	00	RW
6D	DRAM Control Drive Strength	00	RW
6E-6F	-reserved-	00	—

Offset	PCI Bus Control	Default	Acc
70	PCI Buffer Control	00	RW
71	CPU to PCI Flow Control	<b>48</b>	RW
72	-reserved-	00	—
73	PCI Master Control 1	00	RW
74	-reserved-	00	—
75	PCI Arbitration 1	00	RW
76	PCI Arbitration 2	00	RW
77-7F	-reserved-	00	—

**Device 0 Device-Specific Registers (continued)**

Offset	GART/TLB Control	Default	Acc
83-80	GART/TLB Control	0000 0000	RW
84	Graphics Aperture Size	00	RW
85	Write Policy	00	RW
86-87	-reserved-	00	—
8B-88	Gr. Aperture TLB Base Register Base	0000 0000	RW
8C-9F	-reserved-	00	—

Offset	AGP Control	Default	Acc
A0	AGP ID	02	RO
A1	AGP Next Item Pointer	C0	RO
A2	AGP Specification Revision	20	RO
A3	-reserved-	00	—
A7-A4	AGP Status	1F00 0207	RO
AB-A8	AGP Command	0000 0000	RW
AC	AGP Control	00	RW
AD	AGP Miscellaneous Control 1	02	RW
AE	AGP Miscellaneous Control 2	00	RW
AF-B3	-reserved-	00	—

Offset	V-Link Control	Default	Acc
B4	V-Link NB Compensation Control	00	RW
B5	V-Link NB Drive Control	00	RW
B6-B7	-reserved-	00	—
B8	V-Link SB Compensation Control	00	RW
B9	V-Link SB Drive Control	00	RW
BA-BB	-reserved-	00	—

**Device 0 Device-Specific Registers (continued)**

Offset	Power Management Control	Default	Acc
BC	Power Management Mode	00	RW
BD	DRAM Power Management	00	RW
BE	Dynamic Clock Stop	00	RW
BF	MA / SCMD Pad Toggle Reduction	00	RW
C0	Power Management Capability	01	RO
C1	Power Management Next Pointer	00	RO
C2	Power Management Capabilities I	02	RO
C3	Power Management Capabilities II	00	RO
C4	Power Management Control/Status	00	RW
C5	Power Management Status	00	RW
C6	PCI-to-PCI Bridge Support Extension	00	RW
C7	Power Management Data	00	RW
C8-DF	-reserved-	00	—

Offset	Frame Buffer & High Memory Ctrl	Default	Acc
E0	CPU Direct Access FB Base	00	RW
E1	CPU Direct Access FB Size	00	RW
E2	VGA Arbitration Timer 1	00	RW
E3	UMA Control	00	RW
E4-E5	-reserved-	00	—
E6	SMM / APIC Decoding	01	RW
E7	-reserved-	00	—
E8	VGA Arbitration Timer 2	40	RW
E9-EF	-reserved-	00	—

Offset	Test, BIOS Scratch, Miscellaneous	Default	Acc
F7-F0	BIOS Scratch Registers	00	RW
F8-FB	-reserved-	00	—
FC-FF	Reserved (Do Not Program)	0000	RW

**Device 1 Registers - PCI-to-PCI Bridge**
**Header Registers**

Offset	Configuration Space Header	Default	Acc
1-0	Vendor ID	<b>1106</b>	RO
3-2	Device ID	<b>B091</b>	RO
5-4	Command	<b>0007</b>	<b>RW</b>
7-6	Status	<b>0230</b>	<b>WC</b>
8	Revision ID	<b>0n</b>	RO
9	Programming Interface	00	RO
A	Sub Class Code	<b>04</b>	RO
B	Base Class Code	<b>06</b>	RO
C	-reserved-	00	—
D	Latency Timer	00	RO
E	Header Type	<b>01</b>	RO
F	-reserved- (Built In Self Test)	00	—
10-17	-reserved-	00	—
18	Primary Bus Number	00	<b>RW</b>
19	Secondary Bus Number	00	<b>RW</b>
1A	Subordinate Bus Number	00	<b>RW</b>
1B	Secondary Latency Timer	00	RO
1C	I/O Base	<b>F0</b>	<b>RW</b>
1D	I/O Limit	00	<b>RW</b>
1F-1E	Secondary Status	0000	RO
21-20	Memory Base	<b>FFF0</b>	<b>RW</b>
23-22	Memory Limit (Inclusive)	0000	<b>RW</b>
25-24	Prefetchable Memory Base	<b>FFF0</b>	<b>RW</b>
27-26	Prefetchable Memory Limit	0000	<b>RW</b>
28-33	-reserved-	00	—
34	Capability Pointer	<b>80</b>	RO
35-3D	-reserved-	00	—
3F-3E	PCI-to-PCI Bridge Control	0000	<b>RW</b>

**Device-Specific Registers**

Offset	AGP Bus Control	Default	Acc
40	CPU-to-AGP Flow Control 1	00	RW
41	CPU-to-AGP Flow Control 2	<b>08</b>	RW
42	AGP Master Control	00	RW
43	AGP Master Latency Timer	<b>22</b>	RW
44	Reserved (Do Not Program)	<b>20</b>	RW
45	Fast Write Control	<b>72</b>	RW
47-46	PCI-to-PCI Bridge Device ID	0000	RW
48	AGP Parity Error Control	00	RW
49-7F	-reserved-	00	—

Offset	Power Management	Default	Acc
80	Capability ID	<b>01</b>	<b>RO</b>
81	Next Pointer	00	<b>RO</b>
82	Power Management Capabilities 1	<b>02</b>	<b>RO</b>
83	Power Management Capabilities 2	00	<b>RO</b>
84	Power Management Control / Status	00	RW
85	Power Management Status	00	<b>RO</b>
86	PCI-PCI Bridge Support Extensions	00	<b>RO</b>
87	Power Management Data	00	<b>RO</b>
88-FF	-reserved-	00	—

**Graphics Controller Registers**
**PCI Configuration Space Header Registers**

Offset	Configuration Space Header	Default	Acc
1-0	Vendor ID	<b>1106</b>	RO
3-2	Device ID	<b>3122</b>	RO
5-4	Command	<b>0000</b>	<b>RW</b>
7-6	Status	<b>0230</b>	<b>WC</b>
8	Revision ID	<b>0n</b>	RO
9	Program Interface	00	RO
A	Sub Class Code	00	RO
B	Base Class Code	<b>03</b>	RO
C	-reserved-	00	—
D	Latency Timer	00	RO
E	Header Type	00	RO
F	Built In Self Test (BIST)	00	RO
13-10	Memory Base 0	<b>0000 0008</b>	<b>RW</b>
17-14	Memory Base 1	0000 0000	<b>RW</b>
18-2B	-reserved-	00	—
2D-2C	Subsystem Vendor ID	0000	RO
2F-2E	Subsystem ID	0000	RO
30-33	-reserved-	00	—
34	Capability Pointer	<b>60</b>	RO
35-3B	-reserved-	00	—
3C	Interrupt Line	00	<b>RW</b>
3D	Interrupt Pin	<b>01</b>	<b>RW</b>
3E-3F	-reserved-	00	—

**PCI Configuration Space Device-Specific Registers**

Offset	Power Management Configuration	Default	Acc
40-5F	-reserved-	00	—
60	Capability ID	<b>01</b>	<b>RO</b>
61	Next Item Pointer	<b>70</b>	<b>RO</b>
63-62	Power Management Capabilities	<b>0622</b>	<b>RO</b>
65-64	Power Management Control / Status	0000	RW
67-66	Data + PM Control / Status BSE	0000	<b>RO</b>
68-6F	-reserved-	00	—

Offset	AGP Configuration	Default	Acc
70	Capability ID	<b>02</b>	<b>RO</b>
71	Next Item Pointer	00	<b>RO</b>
73-72	Revision Number	<b>0020</b>	<b>RO</b>
77-74	AGP Status	<b>1F00 0207</b>	<b>RO</b>
7B-78	AGP Command	0000 0000	RW
7C-FF	-reserved-	00	—

**Memory Base 0**

Up to 64 MB for the graphics and video playback buffer.

**Memory Base 1**

16 MB for memory mapped I/O, 2D host Bitblt space and burst command area.

Offset Range	Memory Mapped I/O (0 to 2M-1)	Acc
0000-01FF	2D Engine Control	RW
0200-03FF	Video-related Engines Control	RW
0400-07FF	3D Engine Control	RW
0800-0BFF	Burst Command Area	RW
0C00-0DFF	DVD Engine (MPEG) Control	RW
0E00-0FFF	DMA / AGP Control	RW
1000-83BF	-reserved-	—
83Cx-83Dx	VGA Memory Mapped I/O	RW
83E0-FFFF	-reserved-	—

Offset Range	2D Host Bitblt / Burst Command Area	Acc
2M to 4M-1	2D Host Bitblt Space	RW
4M to 8M-1	Burst Command Area	RW
8M to 16M-1	-reserved-	—

**VGA Registers**

Port	Index	General Registers	Acc
3C2	-	Miscellaneous Output	<b>WO</b>
3CC	-	Miscellaneous Output	<b>RO</b>
3C2	-	Input Status 0	<b>RO</b>
3?A	-	Input Status 1	<b>RO</b>
3C3	-	Video Subsystem Enable	RW
46E8	-	Video Adapter Enable	RW

In the port column above "?" = B for monochrome mode and D for color mode.

Port	Index	Attribute Controller Registers	Acc
3C0	-	Index	RW
3C1	00-0F	Color Palette	RW
3C1	10	Mode Control	RW
3C1	11	Overscan Color	RW
3C1	12	Color Plane Enable	RW
3C1	13	Horizontal Pixel Panning	RW
3C1	14	Color Select	RW
3C1	15-7F	-reserved-	—

Port	Index	Sequencer Registers	Acc
3C4	-	Index	RW
3C5	00	Reset	RW
3C5	01	Clocking Mode	RW
3C5	02	Map Mask	RW
3C5	03	Character Map Select	RW
3C5	04	Memory Mode	RW
3C5	05-0F	-reserved-	—
3C5	10-7F	<b>(extended registers - see next page)</b>	

Port	Index	Graphics Controller Registers	Acc
3CE	-	Index	RW
3CF	00	Set / Reset	RW
3CF	01	Set / Reset Enable	RW
3CF	02	Color Compare	RW
3CF	03	Data Rotate	RW
3CF	04	Read Map Select	RW
3CF	05	Mode	RW
3CF	06	Miscellaneous	RW
3CF	07	Color Don't Care	RW
3CF	08	Bit Mask	RW
3CF	09-1F	-reserved-	—
3CF	20-7F	<b>(extended registers - see next page)</b>	

Refer to any VGA book or technical reference for detailed descriptions of the bits of the above VGA-standard registers.

Port	Index	CRT Controller Registers	Acc
3?4	-	Index	RW
3?5	00	Horizontal Total	RW
3?5	01	Horizontal Display End	RW
3?5	02	Start Horizontal Blank	RW
3?5	03	End Horizontal Blank	RW
3?5	04	Start Horizontal Retrace	RW
3?5	05	End Horizontal Retrace	RW
3?5	06	Vertical Total	RW
3?5	07	Overflow	RW
3?5	08	Preset Row Scan	RW
3?5	09	Max Scan Line	RW
3?5	0A	Cursor Start	RW
3?5	0B	Cursor End	RW
3?5	0C	Start Address High	RW
3?5	0D	Start Address Low	RW
3?5	0E	Cursor Location High	RW
3?5	0F	Cursor Location Low	RW
3?5	10	Vertical Retrace Start	RW
3?5	11	Vertical Retrace End	RW
3?5	12	Vertical Display End	RW
3?5	13	Offset	RW
3?5	14	Underline Location	RW
3?5	15	Start Vertical Blank	RW
3?5	16	End Vertical Blank	RW
3?5	17	CRTC Mode Control	RW
3?5	18	Line Compare	RW
3?5	19-31	-reserved-	—
3?5	32-7F	<b>(extended registers - see next page)</b>	

In the port column above "?" = B for monochrome mode and D for color mode.

Refer to any VGA book or technical reference for detailed descriptions of the bits of the above VGA-standard registers.

**VGA Extended Registers**

Port	Index	Extended Sequencer Registers	Acc
3C5	10	Extended Register Unlock	RW
3C5	11	Configuration 0	RO
3C5	12	Configuration 1	RO
3C5	13	Configuration 2	RO
3C5	14	Memory Clock DPA 0	RW
3C5	15	Display Mode Control	RW
3C5	16	Display FIFO Threshold Control	RW
3C5	17	Display FIFO Control	RW
3C5	18	Display Arbitor Control 0	RW
3C5	19	Clock Control	RW
3C5	1A	PCI Bus Control	RW
3C5	1B	Power Management Control 0	RW
3C5	1C	Horiz Display Quadword Count Data	RW
3C5	1D	Horiz Display Quadword Count Control	RW
3C5	1E	Power Management Control	RW
3C5	1F	Memory Control 0	RW
3C5	20	Typical Arbitor Control 0	RW
3C5	21	Typical Arbitor Control 1	RW
3C5	22	Display Arbitor Control 1	RW
3C5	23	Memory Control 1	RW
3C5	24	Memory Control 2	RW
3C5	25	General Purpose I/O Port	RW
3C5	26	IIC Serial Port Control 0	RW
3C5	27	Memory Control 3	RW
3C5	28	Memory Control 4	RW
3C5	29	Memory Control 5	RW
3C5	2A	MCK De-skew Control 0	RW
3C5	2B	MCK De-skew Control 1	RW
3C5	2C	General Purpose I/O Port	RW
3C5	2D	Power Management Control 1	RW
3C5	2E	Power Management Control 2	RW
3C5	2F	PCI Config Memory Base Shadow 0	RW
3C5	30	PCI Config Memory Base Shadow 1	RW
3C5	31	IIC Serial Port Control 1	RW
3C5	32	SPR 1	RW
3C5	33	SPR 2	RW
3C5	34	SPR 3	RW
3C5	36-35	Subsystem Vender ID	RW
3C5	38-37	Subsystem ID	RW
3C5	3A-39	BIOS Reserved Register 1-0	RW
3C5	3F-3B	-reserved-	—
3C5	40	AGP Pad Control 1	RW
3C5	41	Typical Arbitor Control 1	RW
3C5	42	Typical Arbitor Control 2	RW
3C5	43	-reserved-	—

("3C5" Sequencer Extended Registers table continued at top of next column)

Port	Index	Extended Sequencer Regs (continued)	Acc
3C5	44	LCDCK Clock Synth D Value (def=C3h)	RW
3C5	45	LCDCK Clock Synth N Value (def=2Ah)	RW
3C5	46	VCK Clock Synthesizer D Value (C3h)	RW
3C5	47	VCK Clock Synthesizer N Value (2Ah)	RW
3C5	48	ECK Clock Synthesizer D Value (47h)	RW
3C5	49	ECK Clock Synthesizer N Value (6Ah)	RW
3C5	4A	MCK Clock Synthesizer D Value	RW
3C5	4B	MCK Clock Synthesizer N Value	RW
3C5	4C-7F	-reserved-	—

Port	Index	Extended Graphics Controller Regs	Acc
3CF	20	Offset Register Control	RW
3CF	21	Offset Register A	RW
3CF	22	Offset Register B	RW
3CF	23-7F	-reserved-	—

Port	Index	Extended CRT Controller Regs	Acc
3?5	32	Mode Control	RW
3?5	33	HSYNC Adjuster	RW
3?5	34	Starting Address Overflow	RW
3?5	35	Extended Overflow	RW
3?5	36	Power Mgmt Control 3 (Monitor Control)	RW
3?5	37	-reserved-	—
3?5	38	Signature Data Register B0	RW
3?5	39	Signature Data Register B1	RW
3?5	3A	Signature Data Register B2	RW
3?5	3F-3B	BIOS Reserved Register 6-2	RW
3?5	40	Test Mode Control 0	RW
3?5	41-45	-reserved-	—
3?5	46	Test Mode Control 1	RW
3?5	47	Test Mode Control 2	RW
3?5	48	Test Mode Control 3	RW
3?5	49-7F	-reserved-	—

**2D Graphics Engine Registers**

Offset	2D Graphics Engine Registers	Acc
0000	GE Command	RW
0004	GE Mode / Status	RW
0008	BitBLT Source Address	RW
000C	BitBLT Destination Address	RW
0010	Dimension	RW
0014	Pattern Address	RW
0018	FG Color or Destination Color Key	RW
001C	BG Color or Source Color Key	RW
0020	Scissors Top and Left Limit	RW
0024	Scissors Bottom and Right Limit	RW
0028	Offset	RW
002C	Direct3D Control	RW
0030	Source Map Base Address	RW
0034	Destination Map Base Address	RW
0038	Pitch	RW
003C	Mono Pattern Data Port 0	WO
0040	Mono Pattern Data Port 1	WO
0044	-reserved-	—
0100-01FF	Color Pattern RAM Ports 0-63	WO

All registers above are 32-bit memory mapped with offsets relative to Memory Base 1.



**Video Engine Registers**

Offset	Video Playback & Blending Registers	Acc
0200	Interrupt Flags & Masks Control	RW
0204	Ram Table & Address Flip Status	RO
0208	Alpha Win & HI H & V Start	RW
020C	Alpha Win H & V End & HI Center Offset	RW
0210	Alpha Window Control	RW
0214	CRT Starting Address	RW
0218	Second Display Start Address	RW
021C	Alpha Stream Frame Buffer Stride	RW
0220	CRT Color Key	RW
0224	Alpha Win & HI FB Start Address	RW
0228	Chroma Key Lower Bound	RW
022C	Chroma Key Upper Bound	RW
0230	Video Stream 1 Control	RW
0234	Video Win 1 Fetch Count.	RW
0238	Video Win 1 FB Y Start Address 1	RW
023C	Video Win 1 FB Stride	RW
0240	Video Win 1 H & V Start	RW
0244	Video Win 1 H & V End	RW
0248	Video Win 1 FB Y Start Address 2	RW
024C	Video Win 1 Display Zoom Control	RW
0250	Video Win 1 Minify & Interpolation Ctrl	RW
0254	Video Win 1 FB Y Start Address 0	RW
0258	Video 1 FIFO Depth / Threshold Control	RW
025C	Video Win 1 FB Y Start Address 3	RW
0260	HI Control	RW
0264	Second Display Color Key	RW
0268	V3 & Alpha Win FIFO Depth & Thr Ctrl	RW
026C	V1 Source Image Line Count	RW
0270	HI Transparent Color	RW
0274	V1 Display Temporary Zoom Control	RW
0278	V3 & Alpha Win FIFO Depth / Thr Ctrl	RW
027C, 0280	-reserved-	—
0284	V1 CSC & Enhancement Control (I)	RW
0288	V1 CSC & Enhancement Control (II)	RW
028C	V1 FB U Start Address 0	RW
0290, 0294	-reserved-	—
0298	Compose Outputs Mode Select	RW
029C	-reserved-	—
02A0	V3 Control	RW
02A4	V3 Frame Buffer Starting Address 0	RW
02A8	V3 Frame Buffer Starting Address 1	RW
02AC	V3 Frame Buffer Stride	RW
02B0	V3 Horizontal and Vertical Start	RW
02B4	V3 Horizontal and Vertical End	RW
02B8	V3 & Alpha Window Fetch Count	RW
02BC	V3 Display Zoom Control 1	RW
02C0	V3 Minify & Interpolation Control	RW
02C4	V3 CSC & Enhancement Control (I)	RW
02C8	V3 CSC & Enhancement Control (II)	RW
02CC	V3 Display Temporary Zoom Control	RW

Offset	Video Playback & Blending Regs (cont)	Acc
02D0	Graphics Hardware Cursor Mode Control	RW
02D4	Graphics Hardware Cursor Position	RW
02D8	Graphics Hardware Cursor Origin	RW
02DC	Graphics Hardware Cursor FG Color	RW
02E0	Graphics Hardware Cursor BG Color	RW
02E4	Video Window 1 FB U Start Address 1	RW
02E8	Video Window 1 FB U Start Address 2	RW
02EC	Video Window 1 FB U Start Address 3	RW
02F0	Video Window 1 FB V Start Address 0	RW
02F4	Video Window 1 FB V Start Address 1	RW
02F8	Video Window 1 FB V Start Address 2	RW
02FC	Video Window 1 FB V Start Address 3	RW

All registers above are 32-bit memory mapped with offsets relative to Memory Base 1. FG = Foreground, BG = Background, Win = Window, FB = Frame Buffer, CSC = Color Space Conversion, Thr = Threshold

**Video Engine Registers (continued)**

Offset	Video Capture Engine & HQV Regs	Acc
0300	C0 Interrupt Flags and Masks Control	RW
0304	C1 Interrupt Flags and Masks Control	RW
0308, 030C	-reserved-	—
0310	C0 Interface Control	RW
0314	C0 Video H Range (CCIR601 only)	RW
0318	C0 Video V Range (CCIR601 only)	RW
031C	C0 Scaling Control	RW
0320	C0 VBI Data Horizontal Range	RW
0324	C0 VBI Data Vertical Range	RW
0328	C0 VBI Memory Starting Address	RW
032C	C0 VBI Memory Stride	RW
0330	C0 Ancillary Data Count Setting	RW
0334	C0 Max Count of Active Video Data	RW
0338	C0 Max VBI or ANC Memory Data Count	RW
033C	C0 Capture Data Count	<b>RO</b>
0340	C0 Video Capture Data 1st FB Start Addr	RW
0344	C0 Video Capture Data 2nd FB Start Addr	RW
0348	C0 Video Capture Data 3rd FB Start Addr	RW
034C	-reserved-	—
0350	C0 Active Video Data Memory Stride & Coring Function	RW
0354	C1 Interface Control	RW
0358-377	-reserved-	—
0378	C1 Max Count of Active Video Data	RW
037C	-reserved-	—
0380	C1 Capture Data Count	RW
0384	C1 Video Capture Data 1st FB Start Addr	RW
0388	C1 Video Capture Data 2nd FB Start Addr	RW
038C	C1 Active Video Data Memory Stride & Coring function	RW
0390-3BF	-reserved-	—
03C0	Sub-picture FB Stride & Control	RW
03C4	Sub-picture FB Start Address	RW
03C8	Sub-picture 4 X 16 RAM Table Write Ctrl	RW
03CC	Sub-picture RAM Table Read Data	<b>RO</b>
03D0	HQV Stream Control / Status	RW
03D4	HQV SW Source Data Start Address 0 (Y)	RW
03D8	HQV SW Source Data Start Address 1 (U)	RW
03DC	HQV SW Source Data Start Address 2 (V)	RW
03E0	HQV Source Data Line Count & Fetch Count Per Line	RW
03E4	HQV Filter Control	RW
03E8	HQV Minify Control	RW
03EC	HQV Destination Data Start Address 0	RW
03F0	HQV Destination Data Start Address 1	RW
03F4	HQV Destination FB Stride	RW
03F8	HQV Source FB Stride	RW
03FC	-reserved-	—

All registers above are 32-bit memory mapped with offsets relative to Memory Base 1. FB = Frame Buffer, C0 = Capture 0, C1 = Capture 1, HQV = High Quality Video, VBI = Vertical Blanking Interval

**3D Engine Registers**

Offset	3D Graphics Engine Registers	Acc
(see CLE266 graphics programming manual for details)		

All registers above are 32-bit memory mapped with offsets relative to Memory Base 1.

**DVD Engine Registers**

Offset	DVD Engine (MPEG) Regs	Default	Acc
0C00	Picture Description	0000 0000	RW
0C04	Macroblock Description	0000 0000	RW
0C08	Null	xxxx xxxx	W
0C0C	MPEG Control	0000 0000	RW
0C10	Motion Vector 0	xxxx xxxx	W
0C14	Motion Vector 1	xxxx xxxx	W
0C18	Motion Vector 2	xxxx xxxx	W
0C1C	Motion Vector 3	xxxx xxxx	W
0C20	Buffer 0 Y Base Address	xxxx xxxx	W
0C24	Buffer 0 Cb Base Address	xxxx xxxx	W
0C28	Buffer 0 Cr Base Address	xxxx xxxx	W
0C2C	Buffer 1 Y Base Address	xxxx xxxx	W
0C30	Buffer 1 Cb Base Address	xxxx xxxx	W
0C34	Buffer 1 Cr Base Address	xxxx xxxx	W
0C38	Buffer 2 Y Base Address	xxxx xxxx	W
0C3C	Buffer 2 Cb Base Address	xxxx xxxx	W
0C40	Buffer 2 Cr Base Address	xxxx xxxx	W
0C44	Buffer 3 Y Base Address	xxxx xxxx	W
0C48	Buffer 3 Cb Base Address	xxxx xxxx	W
0C4C	Buffer 3 Cr Base Address	xxxx xxxx	W
0C50	Line Offset	xxxx xxxx	W
0C54	MPEG Decoder Status	xxxx xxxx	RW
0C58	IDCT Block Data	xxxx xxxx	W
0C5C	Quantizer Matrix Selection	xxxx xxxx	W
0C60	Quantizer Matrix Content	xxxx xxxx	W
0C64	Slice Bit Stream Content	xxxx xxxx	R
0C80-0C8C	IDCT Coefficients / Datum	xxxx xxxx	W
0C90	Slice Control 1	xxxx xxxx	W
0C94	Slice Control 2	xxxx xxxx	W
0C98	Slice Control 3	xxxx xxxx	W
0C9C	Slice Control 4	xxxx xxxx	W
0CA0	Slice Bit Stream	xxxx xxxx	W
0CA4-0DFE	-reserved-	—	—

All registers above are 32-bit memory mapped with offsets relative to Memory Base 1.

**DMA Controller Registers**

Offset	DMA Controller Registers	Default	Acc
0E00-0E3F	-reserved-	—	—
0E40	Channel 0 Memory Address	0000 0000	RW
0E44	Channel 0 Device Address	0000 0000	RW
0E48	Channel 0 Byte Count	0000 0000	RW
0E4C	Channel 0 Descriptor Pointer	0000 0000	RW
0E50	Channel 1 Memory Address	0000 0000	RW
0E54	Channel 1 Device Address	0000 0000	RW
0E58	Channel 1 Byte Count	0000 0000	RW
0E5C	Channel 1 Descriptor Pointer	0000 0000	RW
0E60	Channel 2 Memory Address	0000 0000	RW
0E64	Channel 2 Device Address	0000 0000	RW
0E68	Channel 2 Byte Count	0000 0000	RW
0E6C	Channel 2 Descriptor Pointer	0000 0000	RW
0E70	Channel 3 Memory Address	0000 0000	RW
0E74	Channel 3 Device Address	0000 0000	RW
0E78	Channel 3 Byte Count	0000 0000	RW
0E7C	Channel 3 Descriptor Pointer	0000 0000	RW
0E80	Channel 0 Mode	0000 0000	RW
0E84	Channel 1 Mode	0000 0000	RW
0E88	Channel 2 Mode	0000 0000	RW
0E8C	Channel 3 Mode	0000 0000	RW
0E90	Channel 0 Command / Status	0000 0000	RW
0E94	Channel 1 Command / Status	0000 0000	RW
0E98	Channel 2 Command / Status	0000 0000	RW
0E9C	Channel 3 Command / Status	0000 0000	RW
0EA0	Priority Type	0000 0000	RW
0EA4-0FFF	-reserved-	—	—

All registers above are 32-bit memory mapped with offsets relative to Memory Base 1. Channels 2 and 3 are currently reserved.

**Miscellaneous I/O**

One I/O port is defined: Port 22.

**Port 22 – PCI / AGP Arbiter Disable .....RW**

- 7-2 Reserved** ..... always reads 0
- 1 AGP Arbiter Disable**
  - 0 Respond to GREQ# signal .....default
  - 1 Do not respond to GREQ# signal
- 0 PCI Arbiter Disable**
  - 0 Respond to all REQ# signals.....default
  - 1 Do not respond to any REQ# signals, including PREQ#

This port can be enabled for read/write access by setting bit-7 of Device 0 Configuration Register 78.

**PCI Configuration Space I/O**

All registers (listed above in the “register summary” section of this document) are addressed via the following configuration mechanism:

**Mechanism #1**

These ports respond only to double-word accesses. Byte or word accesses will be passed on unchanged.

**Port CFB-CF8 - Configuration Address..... RW**

- 31 Configuration Space Enable**
  - 0 Disabled..... default
  - 1 Convert configuration data port writes to configuration cycles on the PCI bus
- 30-24 Reserved** .....always reads 0
- 23-16 PCI Bus Number**  
Used to choose a specific PCI bus in the system
- 15-11 Device Number**  
Used to choose a specific device in the system (devices 0 and 1 are defined)
- 10-8 Function Number**  
Used to choose a specific function if the selected device supports multiple functions (only function 0 is defined).
- 7-2 Register Number (also called the "Offset")**  
Used to select a specific DWORD in the configuration space
- 1-0 Fixed** .....always reads 0

**Port CFF-CFC - Configuration Data..... RW**

Refer to PCI Bus Specification Version 2.2 for further details on operation of the above configuration registers.

**Device 0 Register Descriptions**

**Device 0 Host Bridge Header Registers**

All registers are located in PCI configuration space. They should be programmed using PCI configuration mechanism 1 through 0CF8 / 0CFC with bus number, function number and device number equal to zero.

**Device 0 Offset 1-0 - Vendor ID (1106h) .....RO**

**15-0 ID Code** (reads 1106h to identify VIA Technologies)

**Device 0 Offset 3-2 - Device ID (3123h).....RO**

**15-0 ID Code** (reads 3123h to identify the CLE266 North Bridge chip)

**Device 0 Offset 5-4 –Command (0006h).....RW**

- 15-10 Reserved** ..... always reads 0
- 9 Fast Back-to-Back Cycle Enable** ..... **RO**
  - 0 Fast back-to-back transactions only allowed to the same agent.....default
  - 1 Fast back-to-back transactions allowed to different agents
- 8 SERR# Enable**..... **RO**
  - 0 SERR# driver disabled.....default
  - 1 SERR# driver enabled

(SERR# is used to report ECC errors)
- 7 Address / Data Stepping**..... **RO**
  - 0 Device never does stepping.....default
  - 1 Device always does stepping
- 6 Parity Error Response**..... **RW**
  - 0 Ignore parity errors & continue.....default
  - 1 Take normal action on detected parity errors
- 5 VGA Palette Snoop**..... **RO**
  - 0 Treat palette accesses normally.....default
  - 1 Don't respond to palette accesses on PCI bus
- 4 Memory Write and Invalidate Command**..... **RO**
  - 0 Bus masters must use Mem Write.....default
  - 1 Bus masters may generate Mem Write & Inval
- 3 Special Cycle Monitoring**..... **RO**
  - 0 Does not monitor special cycles.....default
  - 1 Monitors special cycles
- 2 PCI Bus Master**..... **RO**
  - 0 Never behaves as a bus master
  - 1 Can behave as a bus master.....default
- 1 Memory Space**..... **RO**
  - 0 Does not respond to memory space
  - 1 Responds to memory space.....default
- 0 I/O Space** ..... **RO**
  - 0 Does not respond to I/O space .....default
  - 1 Responds to I/O space

**Device 0 Offset 7-6 – Status (0210h)..... RWC**

- 15 Detected Parity Error**
  - 0 No parity error detected..... default
  - 1 Error detected in either address or data phase. This bit is set even if error response is disabled (command register bit-6).....**write one to clear**
- 14 Signaled System Error (SERR# Asserted)** ..... always reads 0
- 13 Signaled Master Abort**
  - 0 No abort received ..... default
  - 1 Transaction aborted by the master ..... **write one to clear**
- 12 Received Target Abort**
  - 0 No abort received ..... default
  - 1 Transaction aborted by the target ..... **write one to clear**
- 11 Signaled Target Abort** ..... always reads 0
  - 0 Target Abort never signaled
- 10-9 DEVSEL# Timing**
  - 00 Fast
  - 01 Medium ..... **always reads 01**
  - 10 Slow
  - 11 Reserved
- 8 Data Parity Error Detected**
  - 0 No data parity error detected ..... default
  - 1 Error detected in data phase. Set only if error response enabled via command bit-6 = 1 and The CLE266 was initiator of the operation in which the error occurred ..... **write one to clear**
- 7 Fast Back-to-Back Capable** ..... always reads 0
- 6 User Definable Features**..... always reads 0
- 5 66MHz Capable**..... always reads 0
- 4 Supports New Capability list**..... **always reads 1**
- 3-0 Reserved** ..... always reads 0

**Device 0 Offset 8 - Revision ID (0nh)..... RO**

**7-0 Chip Revision Code**..... always reads 0nh

**Device 0 Offset 9 - Programming Interface (00h)..... RO**

**7-0 Interface Identifier** ..... always reads 00h

**Device 0 Offset A - Sub Class Code (00h)..... RO**

**7-0 Sub Class Code**..... reads 00 to indicate Host Bridge

**Device 0 Offset B - Base Class Code (06h)..... RO**

**7-0 Base Class Code**.. reads 06 to indicate Bridge Device

**Device 0 Offset D - Latency Timer (00h)..... RW**

Specifies the latency timer value in PCI bus clocks.

- 7-3 Guaranteed Time Slice for CPU** ..... default=0
- 2-0 Reserved** (fixed granularity of 8 clks) .. always read 0  
Bits 2-1 are writeable but read 0 for PCI specification compatibility. The programmed value may be read back in Offset 75 bits 5-4 (PCI Arbitration 1).

**Device 0 Host Bridge Header Registers (continued)**

**Device 0 Offset E - Header Type (00h).....RO**

7-0 Header Type Code ..... reads 00: single function

**Device 0 Offset F - Built In Self Test (BIST) (00h).....RO**

7 BIST Supported .....reads 0: no supported functions

6-0 Reserved ..... always reads 0

**Device 0 Offset 13-10 - Graphics Aperture Base**

**(0000008h) ..... RW**

31-28 Upper Programmable Base Address Bits ..... def=0

27-20 Lower Programmable Base Address Bits ..... def=0

These bits behave as if hardwired to 0 if the corresponding Graphics Aperture Size register bit (Device 0 Offset 84h) is 0.

27	26	25	24	23	22	21	20	(This Register)
<u>7</u>	<u>6</u>	<u>5</u>	<u>4</u>	<u>3</u>	<u>2</u>	<u>1</u>	<u>0</u>	(Gr Aper Size)
RW	RW	RW	RW	RW	RW	RW	RW	1M
RW	RW	RW	RW	RW	RW	RW	0	2M
RW	RW	RW	RW	RW	RW	0	0	4M
RW	RW	RW	RW	RW	0	0	0	8M
RW	RW	RW	RW	0	0	0	0	16M
RW	RW	RW	0	0	0	0	0	32M
RW	RW	0	0	0	0	0	0	64M
RW	0	0	0	0	0	0	0	128M
0	0	0	0	0	0	0	0	256M

19-0 Reserved ..... always reads 00008

Note: The locations in the address range defined by this register are prefetchable.

**Device 0 Host Bridge Header Registers (continued)**

**Device 0 Offset 2D-2C – Subsys Vendor ID (0000h)... W1/R**

15-0 Subsystem Vendor ID ..... default = 0

This register may be written once and is then read only.

**Device 0 Offset 2F-2E – Subsystem ID (0000h)..... W1/R**

15-0 Subsystem ID ..... default = 0

This register may be written once and is then read only.

**Device 0 Offset 34 - Capability Pointer (A0h)..... RO**

Contains a byte offset from the start of configuration space.

7-0 AGP Capability List Pointer .....always reads A0h

**Device 0 Host Bridge Device-Specific Registers**

These registers are normally programmed once at system initialization time.

**V-Link Control**

**Device 0 Offset 40 – V-Link Specification ID (00h).....RO**

7-0 Specification Revision..... always reads 00

**Device 0 Offset 41 – NB V-Link Capability (18h) .....RO**

- 7-6 Reserved ..... always reads 0
- 5 16-bit Bus Width Supported .....RO
  - 0 Not Supported .....default
  - 1 Supported
- 4 8-Bit Bus Width Supported.....RO
  - 0 Not Supported
  - 1 Supported .....default
- 3 4x Rate Supported .....RO
  - 0 Not Supported
  - 1 Supported .....default
- 2 2x Rate Supported .....RO
  - 0 Not Supported .....default
  - 1 Supported
- 1-0 Reserved ..... always reads 0

**Device 0 Offset 42 – NB Downlink Command (88h).....RW**

- 7-4 DnCmd Max Request Depth (0=1 DnCmd).. def = 8
- 3-0 DnCmd Write Buffer Size (doublewords)..... def = 8

**Device 0 Offset 44-43 – NB Uplink Status (8280h).....RO**

- 15-12 UpCmd P2C Write Buffer Size (max lines).. def = 8
- 11-8 UpCmd P2P Write Buffer Size (max lines).. def = 2
- 7-4 UpCmd Max Request Depth (0=1 UpCmd).. def = 8
- 3-0 Reserved ..... always reads 0

**Device 0 Offset 45 –NB V-Link Bus Timer (44h)..... RW**

- 7-4 Timer for Normal Priority Requests from SB
  - 0000 Immediate
  - 0001 1\*4 VCLKs
  - 0010 2\*4 VCLKs
  - 0011 3\*4 VCLKs
  - 0100 4\*4 VCLKs.....default (both timers)
  - 0101 5\*4 VCLKs
  - 0110 6\*4 VCLKs
  - 0111 7\*4 VCLKs
  - 1000 8\*4 VCLKs
  - 1001 16\*4 VCLKs
  - 1010 32\*4 VCLKs
  - 1011 64\*4 VCLKs
  - 11xx Own the bus for as long as there is a request
- 3-0 Timer for High Priority Requests from SB
  - 0000 Immediate
  - 0001 1\*2 VCLKs
  - 0010 2\*2 VCLKs
  - 0011 3\*2 VCLKs
  - 0100 4\*2 VCLKs.....default (both timers)
  - 0101 5\*2 VCLKs
  - 0110 6\*2 VCLKs
  - 0111 7\*2 VCLKs
  - 1000 8\*2 VCLKs
  - 1001 16\*2 VCLKs
  - 1010 32\*2 VCLKs
  - 1011 64\*2 VCLKs
  - 11xx Own the bus for as long as there is a request

**Device 0 Offset 46 – NB V-Link Misc Control (00h).....RW**

- 7 Downstream High Priority**
  - 0 Disable High Priority Down Commands .....def
  - 1 Enable High Priority Down Commands
- 6 Downlink Priority**
  - 0 Treat Downlink Cycles as Normal Priority.def
  - 1 Treat Downlink Cycles as High Priority
- 5-4 Combine Multiple STPGNT Cycles into V-Link Command**
  - 00 Compatible, 1 command per V-Link cmd....def
  - 01 2 commands per V-Link command
  - 10 3 commands per V-Link command
  - 11 4 commands per V-Link command
- 3-2 V-Link Master Access Ordering Rules**
  - 00 High priority read, pass normal read (not pass write) .....default
  - 01 Read (high/normal) pass write (HR>LR>W)
  - 1x Read / write in order
- 1-0 Reserved** ..... always reads 0

**Device 0 Offset 47 – V-Link Control (00h).....RW**

- 7-6 Reserved** ..... always reads 0
- 5 C2P Read L1 Ready Returned After P2C Write Flush**
  - 0 Disable .....default
  - 1 Enable
- 4-3 Reserved** ..... always reads 0
- 2 Auto-Disconnect**
  - 0 Disable .....default
  - 1 Enable
- 1 V-Link Disconnect Cycle for HALT cycle**
  - 0 Disable .....default
  - 1 Enable
- 0 V-Link Disconnect Cycle for STPGNT Cycle**
  - 0 Disable .....default
  - 1 Enable

**Device 0 Offset 48 – NB/SB V-Link Configuration (18h)RW**

- 7 Reserved** .....always reads 0
- 6 Rest Bus Width Supported**
  - 0 Not Supported..... default
  - 1 Supported
- 5 16-bit Bus Width Supported**
  - 0 Not Supported..... default
  - 1 Supported
- 4 8-Bit Bus Width Supported**
  - 0 Not Supported
  - 1 Supported ..... default
- 3 4x Rate Supported**
  - 0 Not Supported
  - 1 Supported ..... default
- 2 2x Rate Supported**
  - 0 Not Supported..... default
  - 1 Supported
- 1-0 Reserved** .....always reads 0



**Device 0 Offset 49 – SB V-Link Capability (18h).....RO**

- 7-6 **Reserved** ..... always reads 0
- 5 **16-bit Bus Width Supported** .....RO
  - 0 Not Supported .....default
  - 1 Supported
- 4 **8-Bit Bus Width Supported**.....RO
  - 0 Not Supported
  - 1 Supported .....default
- 3 **4x Rate Supported** .....RO
  - 0 Not Supported
  - 1 Supported .....default
- 2 **2x Rate Supported** .....RO
  - 0 Not Supported .....default
  - 1 Supported
- 1-0 **Reserved** ..... always reads 0

**Device 0 Offset 4A – SB Downlink Status (88h).....RO**

- 7-4 **DnCmd Max Request Depth** (0=1 DnCmd).. def = 8
- 3-0 **DnCmd Write Buffer Size** (doublewords)..... def = 8

**Device 0 Offset 4C-4B – SB Uplink Command (8280h).RW**

- 15-12 **UpCmd P2C Write Buffer Size** (max lines).. def = 8
- 11-8 **UpCmd P2P Write Buffer Size** (max lines).. def = 2
- 7-4 **UpCmd Max Request Depth** (0=1 UpCmd).. def = 8
- 3-0 **Reserved** ..... always reads 0

**Device 0 Offset 4D – SB V-Link Bus Timer (44h).....RW**

- 7-4 **Timer for Normal Priority Requests from SB**
  - 0000 Immediate
  - 0001 1\*4 VCLKs
  - 0010 2\*4 VCLKs
  - 0011 3\*4 VCLKs
  - 0100 4\*4 VCLKs ..... default (both timers)
  - 0101 5\*4 VCLKs
  - 0110 6\*4 VCLKs
  - 0111 7\*4 VCLKs
  - 1000 8\*4 VCLKs
  - 1001 16\*4 VCLKs
  - 1010 32\*4 VCLKs
  - 1011 64\*4 VCLKs
  - 11xx Own the bus for as long as there is a request
- 3-0 **Timer for High Priority Requests from SB**
  - 0000 Immediate
  - 0001 1\*2 VCLKs
  - 0010 2\*2 VCLKs
  - 0011 3\*2 VCLKs
  - 0100 4\*2 VCLKs ..... default (both timers)
  - 0101 5\*2 VCLKs
  - 0110 6\*2 VCLKs
  - 0111 7\*2 VCLKs
  - 1000 8\*2 VCLKs
  - 1001 16\*2 VCLKs
  - 1010 32\*2 VCLKs
  - 1011 64\*2 VCLKs
  - 11xx Own the bus for as long as there is a request

**Device 0 Offset 4E – CCA Master Priority (00h)..... RW**

- 7 **1394 High Priority**
  - 0 Low priority..... default
  - 1 High priority
- 6 **LAN / NIC High Priority**
  - 0 Low priority..... default
  - 1 High priority
- 5 **Reserved** ..... always reads 0
- 4 **USB High Priority**
  - 0 Low priority..... default
  - 1 High priority
- 3 **Reserved** ..... always reads 0
- 2 **IDE High Priority**
  - 0 Low priority..... default
  - 1 High priority
- 1 **AC97-ISA High Priority**
  - 0 Low priority..... default
  - 1 High priority
- 0 **PCI High Priority**
  - 0 Low priority..... default
  - 1 High priority

**Device 0 Offset 4F – SB V-Link Misc Control (00h)..... RW**

- 7 **Upstream Command High Priority**
  - 0 Disable high priority up commands..... default
  - 1 Enable high priority up commands
- 6-1 **Reserved** ..... always reads 0
- 0 **Down Cycle Wait for Up Cycle Write Flush (Except Down Cycle Post Write)**
  - 0 Disable..... default
  - 1 Enable

**Host CPU Control**

**Device 0 Offset 50 – Request Phase Control (00h) .....RW**

- 7 CPU Hardwired IOQ (In Order Queue) Size**  
Default via VAD2 from strap on South Bridge LA18.  
0 1-Level  
1 8-Level
- 6 GTL Pullup**  
Default via VAD3 from strap on South Bridge LA19.  
0 Disable  
1 Enable
- 5 GTL Always Pullup Mode**  
0 Disable  
1 Enable .....default
- 4-0 Dynamic Defer Snoop Stall Count**

**Device 0 Offset 51 – CPU Interface Basic Control (00h)RW**

- 7 Add 1T Delay for CPU-to-Memory Requests**  
0 Disable .....default  
1 Enable
- 6 Read Around Write**  
0 Disable .....default  
1 Enable
- 5 DRQ Control**  
0 Non pipelined.....default  
1 Pipelined
- 4 CPU to PCI Read Defer**  
0 Disable .....default  
1 Enable
- 3 Two Defer / Retry Entries**  
0 Disable .....default  
1 Enable
- 2 Two Defer / Retry Entries Shared**  
0 Each entry is dedicated to 1 CPU.....default  
1 Each entry is shared by 2 CPUs
- 1 PCI Master Pipelined Access**  
0 Disable .....default  
1 Enable
- 0 Dual Processor Mode Enhancement**  
0 Disable .....default  
1 Enable

**Device 0 Offset 52 – CPU Interface Advanced Ctrl (00h)RW**

- 7 CPU RW DRAM 0WS for Back-to-Back Pipeline Access**  
0 Disable..... default  
1 Enable
- 6 HREQ / HPRI**  
0 Disable..... default  
1 Enable
- 5 GTL POS**  
0 Disable..... default  
1 Enable
- 4 Dynamic Snoop Stall for CPU FIFO Full**  
0 Disable..... default  
1 Enable
- 3 Write Retire Policy After 2 Writes**  
0 Disable..... default  
1 Enable
- 2 133 / 100 DADS Fast Conversion**  
0 Disable..... default  
1 Enable
- 1 Consecutive Speculative Read**  
0 Disable..... default  
1 Enable
- 0 Speculative Read**  
0 Disable..... default  
1 Enable

**Device 0 Offset 53 – CPU Arbitration Control (03h).... RW**

- 7-4 Host Timer** ..... default = 0
- 3-0 BPRI Timer** (units of 4 HCLKs) ..... default = 3

**Device 0 Offset 54 – CPU Miscellaneous Control (00h) RW**

- 7-6 CPU Frequency** (VAD1-0 strap from South Bridge pins SA[16-17])  
00 -reserved-  
01 100  
1x 133
- 5 SDRAM Burst Length of 8**  
0 Disable..... default  
1 Enable
- 4-3 Reserved** .....always reads 0
- 2 AGP Capability Header Support**  
0 Disable..... default  
1 Enable
- 1-0 Reserved** .....always reads 0

**DRAM Control**

These registers are normally set at system initialization time and not accessed after that during normal system operation. Some of these registers, however, may need to be programmed using specific sequences during power-up initialization to properly detect the type and size of installed memory (refer to the CLE266 BIOS porting guide for details).

**Table 6. System Memory Map**

<u>Space</u>	<u>Start</u>	<u>Size</u>	<u>Address Range</u>	<u>Comment</u>
DOS	0	640K	00000000-0009FFFF	Cacheable
VGA	640K	128K	000A0000-000BFFFF	Used for SMM
BIOS	768K	16K	000C0000-000C3FFF	Shadow Ctrl 1
BIOS	784K	16K	000C4000-000C7FFF	Shadow Ctrl 1
BIOS	800K	16K	000C8000-000CBFFF	Shadow Ctrl 1
BIOS	816K	16K	000CC000-000CFFFF	Shadow Ctrl 1
BIOS	832K	16K	000D0000-000D3FFF	Shadow Ctrl 2
BIOS	848K	16K	000D4000-000D7FFF	Shadow Ctrl 2
BIOS	864K	16K	000D8000-000DBFFF	Shadow Ctrl 2
BIOS	880K	16K	000DC000-000DFFFF	Shadow Ctrl 2
BIOS	896K	64K	000E0000-000EFFFF	Shadow Ctrl 3
BIOS	960K	64K	000F0000-000FFFFFF	Shadow Ctrl 3
Sys	1MB	—	00100000-DRAM Top	Can have hole
Bus	D Top		DRAM Top-FFFFFFF	
Init	4G-64K	64K	FFFFFFF-FFFFFFF	000Fxxxx alias

**Device 0 Offset 55 – DRAM Control (00h)..... RW**

- 7 0WS Back-to-Back Write to Different DDR Bank**
  - 0 Disable..... default
  - 1 Enable
- 6 Reserved** .....always reads 0
- 5 DQS Input DLL Adjustment**
  - 0 Disable..... default
  - 1 Enable
- 4 DQS Output DLL Adjustment**
  - 0 Disable..... default
  - 1 Enable
- 3 DQM Removal (Always Perform 4-Burst RW)**
  - 0 Disable..... default
  - 1 Enable
- 2 DQS Output**
  - 0 Disable..... default
  - 1 Enable
- 1 Auto Precharge for TLB Read or CPU WriteBack**
  - 0 Disable..... default
  - 1 Enable
- 0 Write Recovery Time**
  - 0 1T ..... default
  - 1 2T

**Device 0 Offset 58 - DRAM MA Map Type (22h) .....RW**

- 7-5 **Bank 1/0 MA Map Type** (see Table 7 below)
- 4 **Bank 1/0 1T Command Rate**
  - 0 2T Command .....default
  - 1 1T Command
- 3-1 **Bank 3/2 MA Map Type** (see Table 7 below)
- 0 **Bank 3/2 1T Command Rate**
  - 0 2T Command .....default
  - 1 1T Command

**Table 7. MA Map Type Encoding**

000	<u>16Mb</u>	8-bit, 9-bit, 10-bit Column Address
001	<u>64/128Mb</u>	8-bit Column Address .....default
010	<u>64/128Mb</u>	9-bit Column Address
011	<u>64/128Mb</u>	10/11-bit Column Address
100		-reserved-
101	<u>256Mb</u>	8-bit Column Address
110	<u>256Mb</u>	9-bit Column Address
111	<u>256Mb</u>	10/11-bit Column Address

**Device 0 Offset 5F-5A – DRAM Row Ending Address:**

- Offset 5A – Bank 0 Ending (HA[31:24]) (01h)..... RW**
- Offset 5B – Bank 1 Ending (HA[31:24]) (01h)..... RW**
- Offset 5C – Bank 2 Ending (HA[31:24]) (01h)..... RW**
- Offset 5D – Bank 3 Ending (HA[31:24]) (01h)..... RW**

Note : BIOS is required to fill the ending address registers for all banks even if no memory is populated. The endings have to be in incremental order.

**Device 0 Offset 60 – DRAM Type (00h)..... RW**

- 7-4 **Reserved** .....always reads 0
- 3-2 **DRAM Type for Bank 3/2**
  - 00 SDR SDRAM..... default
  - 01 -reserved-
  - 10 DDR SDRAM
  - 11 -reserved-
- 1-0 **DRAM Type for Bank 1/0**
  - 00 SDR SDRAM..... default
  - 01 -reserved-
  - 10 DDR SDRAM
  - 11 -reserved-

**Table 8. Memory Address Mapping Table**

**SDR / DDR SDRAM (x4 DRAMs supported by SDR only)**

MA:	14	13	12	11	10	9	8	7	6	5	4	3	2	1	0	
<u>16Mb</u> (000)		24		13	12	11	14	22	21	20	19	18	17	16	15	12 row 10,9,8 col
<u>64/128Mb</u>																x16 (14,8)
2K page 001	14	24	14	13	12	11	23	22	21	20	19	18	17	16	15	x32 (14,8) x8 (14,9)
4K page 010	14	25	14	13	12	24	23	22	21	20	19	18	17	16	15	x16 (14,9) x4 (14,10)
8K page 011	14	26	14	13	25	24	23	22	21	20	19	18	17	16	15	x8 (14,10) x4 (14,11)
<u>256Mb</u>																
2K page 101	25	24	14	13	12	11	23	22	21	20	19	18	17	16	15	x32 (15,8)
4K page 110	26	25	14	13	12	24	23	22	21	20	19	18	17	16	15	x16 (15,9) x4 (15,10)
8K page 111	27	26	14	13	25	24	23	22	21	20	19	18	17	16	15	x8 (15,10) x4 (15,11)

**Device 0 Offset 61 - Shadow RAM Control 1 (00h).....RW**

- 7-6 CC000h-CFFFFh**
  - 00 Read/write disable.....default
  - 01 Write enable
  - 10 Read enable
  - 11 Read/write enable
- 5-4 C8000h-CBFFFh**
  - 00 Read/write disable.....default
  - 01 Write enable
  - 10 Read enable
  - 11 Read/write enable
- 3-2 C4000h-C7FFFh**
  - 00 Read/write disable.....default
  - 01 Write enable
  - 10 Read enable
  - 11 Read/write enable
- 1-0 C0000h-C3FFFh**
  - 00 Read/write disable.....default
  - 01 Write enable
  - 10 Read enable
  - 11 Read/write enable

**Device 0 Offset 62 - Shadow RAM Control 2 (00h).....RW**

- 7-6 DC000h-DFFFFh**
  - 00 Read/write disable.....default
  - 01 Write enable
  - 10 Read enable
  - 11 Read/write enable
- 5-4 D8000h-DBFFFh**
  - 00 Read/write disable.....default
  - 01 Write enable
  - 10 Read enable
  - 11 Read/write enable
- 3-2 D4000h-D7FFFh**
  - 00 Read/write disable.....default
  - 01 Write enable
  - 10 Read enable
  - 11 Read/write enable
- 1-0 D0000h-D3FFFh**
  - 00 Read/write disable.....default
  - 01 Write enable
  - 10 Read enable
  - 11 Read/write enable

**Device 0 Offset 63 - Shadow RAM Control 3 (00h)..... RW**

- 7-6 E0000h-EFFFFh**
  - 00 Read/write disable ..... default
  - 01 Write enable
  - 10 Read enable
  - 11 Read/write enable
- 5-4 F0000h-FFFFFh**
  - 00 Read/write disable ..... default
  - 01 Write enable
  - 10 Read enable
  - 11 Read/write enable
- 3-2 Memory Hole**
  - 00 None ..... default
  - 01 512K-640K
  - 10 15M-16M (1M)
  - 11 14M-16M (2M)
- 1-0 SMI Mapping Control**

	<u>SMM</u>		<u>Non-SMM</u>	
	<u>Code</u>	<u>Data</u>	<u>Code</u>	<u>Data</u>
00	DRAM	DRAM	PCI	PCI
01	DRAM	DRAM	DRAM	DRAM
10	DRAM	PCI	PCI	PCI
11	DRAM	DRAM	DRAM	DRAM

**Device 0 Offset 64 - DRAM Timing for All Banks (E4h)RW**

- 7 **Precharge Command to Active Command Period**
  - 0 TRP = 2T
  - 1 TRP = 3T ..... default
- 6 **Active Command to Precharge Command Period**
  - 0 TRAS = 5T
  - 1 TRAS = 6T ..... def
- 5-4 **CAS Latency**

	<u>SDR</u>	<u>DDR</u>
00	1T	-
01	2T	2T
10	3T	2.5T..... default
11	-	3T
- 3 **Reserved** ..... always reads 0
- 2 **ACTIVE to CMD**
  - 0 2T
  - 1 3T ..... default
- 1-0 **Bank Interleave**
  - 00 No Interleave..... default
  - 01 2-way
  - 10 4-way
  - 11 Reserved

For 16Mb SDRAMs bank interleave is always 2-way

**Device 0 Offset 67 – DDR Strobe Input Delay (00h)..... RW**

- SDR:**
- 7-5 **Reserved** ..... always reads 0
  - 4 **MD Latch Clock Select**
    - 0 Internal clock..... default
    - 1 External feedback clock
  - 3 **Reserved** ..... always reads 0
  - 2-0 **MD Latch Delay**
- DDR:**
- 7-6 **CS Early Clock Select** ..... default = 0
  - 5-0 **DQS Input Delay** ..... default = 0  
(if Rx66[7]=0, read DLL calibration result)

**Device 0 Offset 68 – DDR Strobe Output Delay (00h)... RW**

- 7-0 **DDR DQS Output Delay** ..... default = 0

**Device 0 Offset 65 - DRAM Arbitration Timer (00h) ....RW**

- 7-4 **AGP Timer** (units of 4 MCLKs)..... default = 0
- 3-0 **CPU Timer** (units of 4 MCLKs)..... default = 0

**Device 0 Offset 66 - DRAM Arbitration Control (00h)..RW**

- 7 **SDR – Feedback Clock Select**
- DDR - DQS Input Delay Setting**
  - 0 Auto (Rx67 reads DLL calibration result) ...def
  - 1 Manual (Rx67 reads DQS input delay)
- 6 **Reserved** ..... always reads 0
- 5-4 **Arbitration Parking Policy**
  - 00 Park at last bus owner ..... default
  - 01 Park at CPU
  - 10 Park at AGP
  - 11 -reserved-
- 3-0 **AGP / CPU Priority** (units of 4 MCLKs)

**Device 0 Offset 69 – DRAM Clock Select (00h).....RW**

- 7 CPU Operating Frequency Faster Than DRAM**
  - 0 CPU Same As or Equal to DRAM.....default
  - 1 CPU Faster Than DRAM by 33 MHz

- 6 DRAM Operating Frequency Faster Than CPU**
  - 0 DRAM Same As or Equal to CPU.....default
  - 1 DRAM Faster Than CPU by 33 MHz

Rx54[7-6]	Rx69[7-6]	CPU / DRAM
01	10	100 / 66
01	00	100 / 100
01	01	100 / 133†
1x	00	133 / 133

†Rx53[6] must also be set to 1 for DRAM > CPU  
All other bit combinations are not supported

- 5 DRAM Controller Queue Greater Than 2**
  - 0 Disable .....default
  - 1 Enable

- 4 DRAM Controller Queue Not Equal to 4**
  - 0 Disable .....default
  - 1 Enable

- 3 DRAM 8K Page Enable**
  - 0 Disable .....default
  - 1 Enable

- 2 DRAM 4K Page Enable**
  - 0 Disable .....default
  - 1 Enable

- 1 Reserved** ..... always reads 0

- 0 Multiple Page Mode**
  - 0 Disable .....default
  - 1 Enable

**Device 0 Offset 6A - Refresh Counter (00h)..... RW**

- 7-0 Refresh Counter** (in units of 16 MCLKs)
  - 00 DRAM Refresh Disabled ..... default
  - 01 32 MCLKs
  - 02 48 MCLKs
  - 03 64 MCLKs
  - 04 80 MCLKs
  - 05 96 MCLKs
  - ... ..

The programmed value is the desired number of 16-MCLK units minus one.

**Device 0 Offset 6B - DRAM Arbitration Control (00h) RW**

- 7 Fast Read to Write turn-around**
  - 0 Disable..... default
  - 1 Enable

- 6 Page Kept Active When Cross Bank**
  - 0 Disable..... default
  - 1 Enable

- 5 Burst Refresh**
  - 0 Disable..... default
  - 1 Enable

- 4 CKE Function**
  - 0 Disable..... default
  - 1 Enable

- 3 CA22 / CA14 Swap**
  - 0 Disable..... default
  - 1 Enable for performance enhancement

**2-0 SDRAM Operation Mode Select**

- 000 Normal SDRAM Mode ..... default
- 001 NOP Command Enable
- 010 All-Banks-Precharge Command Enable (CPU-to-DRAM cycles are converted to All-Banks-Precharge commands).
- 011 MSR Enable  
CPU-to-DRAM cycles are converted to commands and the commands are driven on MA[14:0]. The BIOS selects an appropriate host address for each row of memory such that the right commands are generated on MA[14:0].
- 100 CBR Cycle Enable (if this code is selected, CAS-before-RAS refresh is used; if it is not selected, RAS-Only refresh is used)
- 101 Reserved
- 11x Reserved

**Device 0 Offset 6C - Drive Control 1 (00h) .....RW**

- 7-6 SRAS#, SCAS#, SWE#, MA Drive**
  - 00 Lowest.....default
  - 01
  - 10
  - 11 Highest
- 5-4 Reserved** ..... always reads 0
- 3-2 DDR DQS# Drive**
  - 00 Lowest.....default
  - 01
  - 10
  - 11 Highest
- 1-0 MD/MECC/CAS/CKE Early Clock Select**
  - 00 Latest .....default
  - 01
  - 10
  - 11 Earliest

**Device 0 Offset 6D - Drive Control 2 (00h)..... RW**

- 7-6 Early Clock Select for SCMD, MA Output (for 1T Command)**
  - 00 Latest ..... default
  - 01
  - 10
  - 11 Earliest
- 5-4 DQM Drive**
  - 00 Lowest ..... default
  - 01
  - 10
  - 11 Highest
- 3-2 CS# Drive**
  - 00 Lowest ..... default
  - 01
  - 10
  - 11 Highest
- 1-0 Memory Data Drive (MD, MECC)**
  - 00 Lowest ..... default
  - 01
  - 10
  - 11 Highest



**PCI Bus Control**

These registers are normally programmed once at system initialization time.

**Device 0 Offset 70 - PCI Buffer Control (00h).....RW**

- 7 CPU to PCI Post-Write**
  - 0 Disable .....default
  - 1 Enable
- 6 Reserved** ..... always reads 0
- 5-4 PCI Master to DRAM Prefetch**
  - 00 Always prefetch .....default
  - x1 Never prefetch
  - 10 Prefetch only for Enhance command
- 3 Reserved** ..... always reads 0
- 2 PCI Master Read Caching**
  - 0 Disable .....default
  - 1 Enable
- 1 Delay Transaction**
  - 0 Disable .....default
  - 1 Enable
- 0 Reserved** ..... always reads 0

**Device 0 Offset 71 - CPU to PCI Flow Control (48h)..RWC**

- 7 Retry Status.....RWC**
  - 0 No retry occurred .....default
  - 1 Retry occurred
- 6 Retry Timeout Action**
  - 0 Retry forever (record status only)
  - 1 Flush buffer or return FFFFFFFFh for reads  
.....default
- 5-4 Retry Count and Retry Backoff**
  - 00 Retry 2 times, backoff CPU .....default
  - 01 Retry 16 times
  - 10 Retry 4 times
  - 11 Retry 64 times
- 3 PCI Burst**
  - 0 Disable
  - 1 Enable .....default
- 2 Reserved** ..... always reads 0
- 1 Compatible Type#1 Configuration Cycles**
  - 0 Disable (fixed AD31).....default
  - 1 Enable
- 0 IDSEL Control**
  - 0 AD11, AD12 .....default
  - 1 AD30, AD31

**Device 0 Offset 73 - PCI Master Control (00h)..... RW**

- 7 Reserved** .....always reads 0
- 6 PCI Master 1-Wait-State Write**
  - 0 Zero wait state TRDY# response..... default
  - 1 One wait state TRDY# response
- 5 PCI Master 1-Wait-State Read**
  - 0 Zero wait state TRDY# response..... default
  - 1 One wait state TRDY# response
- 4 WSC#**
  - 0 Disable..... default
  - 1 Enable
- 3-1 Reserved** .....always reads 0
- 0 PCI Master Broken Timer Enable**
  - 0 Disable..... default
  - 1 Enable. Force into arbitration when there is no FRAME# 16 PCICLK's after the grant.

**Device 0 Offset 75 - PCI Arbitration 1 (00h) .....RW**

- 7 Arbitration Mode**
  - 0 REQ-based (arbitrate at end of REQ#) ..default
  - 1 Frame-based (arbitrate at FRAME# assertion)
- 6-4 Latency Timer** ..... read only, reads Rx0D bits 2:0
- 3 Reserved** ..... always reads 0
- 2-0 PCI Master Bus Time-Out**  
(force into arbitration after a period of time)
  - 000 Disable .....default
  - 001 1x16 PCICLKs
  - 010 2x16 PCICLKs
  - 011 3x16 PCICLKs
  - 100 4x16 PCICLKs
  - ... ..
  - 111 7x16 PCICLKs

**Device 0 Offset 76 - PCI Arbitration 2 (00h)..... RW**

- 7 I/O Port 22 Access**
  - 0 CPU access to I/O address 22h is passed on to the PCI bus ..... default
  - 1 CPU access to I/O address 22h is processed internally
- 6 Reserved** .....always reads 0
- 5-4 Master Priority Rotation Control**
  - 00 Disable..... default
  - 01 Grant to CPU after every PCI master grant
  - 10 Grant to CPU after every 2 PCI master grants
  - 11 Grant to CPU after every 3 PCI master grants

Setting 01: the CPU will always be granted access after the current bus master completes, no matter how many PCI masters are requesting.

Setting 10: if other PCI masters are requesting during the current PCI master grant, the highest priority master will get the bus after the current master completes, but the CPU will be guaranteed to get the bus after that master completes.

Setting 11: if other PCI masters are requesting, the highest priority will get the bus next, then the next highest priority will get the bus, then the CPU will get the bus.

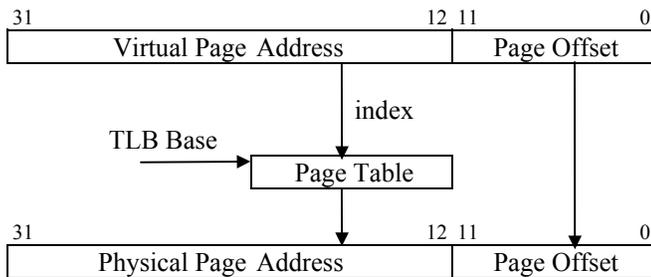
In other words, with the above settings, even if multiple PCI masters are continuously requesting the bus, the CPU is guaranteed to get access after every master grant (01), after every other master grant (10) or after every third master grant (11).
- 3-2 Select REQn# to REQ4# mapping**
  - 00 REQ4# ..... default
  - 01 REQ0#
  - 10 REQ1#
  - 11 REQ2#
- 1 Reserved** .....always reads 0
- 0 REQ4# is High Priority Master**
  - 0 Disable..... default
  - 1 Enable

**GART / Graphics Aperture Control**

The function of the Graphics Address Relocation Table (GART) is to translate virtual 32-bit addresses issued by an AGP device into 4K-page based physical addresses for system memory access. In this translation, the upper 20 bits (A31-A12) are remapped, while the lower 12 address bits (A11-A0) are used unchanged.

A one-level fully associative lookup scheme is used to implement the address translation. In this scheme, the upper 20 bits of the virtual address are used to point to an entry in a page table located in system memory. Each page table entry contains the upper 20 bits of a physical address (a "physical page" address). For simplicity, each page table entry is 4 bytes. The total size of the page table depends on the GART range (called the "aperture size") which is programmable.

This scheme is shown in the figure below.



**Figure 3. Graphics Aperture Address Translation**

Since address translation using the above scheme requires an access to system memory, an on-chip cache (called a "Translation Lookaside Buffer" or TLB) is utilized to enhance performance. The on-chip TLB contains 16 entries. Address "misses" in the TLB require an access of system memory to retrieve translation data. Entries in the TLB are replaced using an LRU (Least Recently Used) algorithm.

Addresses are translated only for accesses within the "Graphics Aperture" (GA). The Graphics Aperture can be any power of two in size from 1MB to 256MB (i.e., 1MB, 2MB, 4MB, 8MB, etc). The base of the Graphics Aperture can be anywhere in the system virtual address space on an address boundary determined by the aperture size (e.g., if the aperture size is 4MB, the base must be on a 4MB address boundary). The Graphics Aperture Base is defined in register offset 10 of device 0. The Graphics Aperture Size and TLB Table Base are defined in the following register group (offsets 84 and 88 respectively) along with various control bits.

**Device 0 Offset 83-80 - GART/TLB Control (00000000h) RW**

- 31-16 Reserved** .....always reads 0
- 15-8 Reserved (test mode status)** .....RO
- 7 Flush Page TLB**
  - 0 Disable..... default
  - 1 Enable
- 6-0 Reserved (always program to 0)**..... RW

Note: For any master access to the Graphics Aperture range, snoop will not be performed.

**Device 0 Offset 84 - Graphics Aperture Size (00h)..... RW**

- 7-0 Graphics Aperture Size**
  - 00000000 256M ..... default
  - 10000000 128M
  - 11000000 64M
  - 11100000 32M
  - 11110000 16M
  - 11111000 8M
  - 11111100 4M
  - 11111110 2M
  - 11111111 1M

**Offset 85 – Write Policy (00h) ..... RW**

- 7 Reserved** .....always reads 0
- 6-4 Write Request Limit** ..... default = 0
- 3 DRAM Bus Float When Idle**
  - 0 Disable..... default
  - 1 Enable
- 2-0 Write Request Base**..... default = 0

**Offset 8B-88 - GA Translation Table Base (00000000h) RW**

- 31-12 Graphics Aperture Translation Table Base.** Pointer to the base of the translation table in system memory used to map addresses in the aperture range (the pointer to the base of the "Directory" table).
  - 11-2 Reserved** .....always reads 0
  - 1 Graphics Aperture A[31:28]**
    - 0 Disable..... default
    - 1 Enable
- Note: To disable the Graphics Aperture, set this bit to 0 and set all bits of the Graphics Aperture Size to 0. To enable the Graphics Aperture, set this bit to 1 and program the Graphics Aperture Size to the desired aperture size.
- 0 Reserved** .....always reads 0

AGP Control

**Device 0 Offset A3-A0 - AGP Capability Identifier (0020C002h) .....RO**

- 31-24 **Reserved** ..... always reads 00
- 23-20 **Major Specification Revision** .... always reads 0010  
Major rev # of AGP spec to which device conforms
- 19-16 **Minor Specification Revision** .... always reads 0000  
Minor rev # of AGP spec to which device conforms  
Bits 23-16 indicate the device conforms to AGP 2.0
- 15-8 **Pointer to Next Item** .... always reads C0h (last item)
- 7-0 **AGP ID** .. (always reads 02 to indicate it is AGP)

**Device 0 Offset A7-A4 - AGP Status (1F000207h) .....RO**

- 31-24 **Maximum AGP Requests** ..... always reads 1F†  
Max # of AGP requests the device can manage (32)  
† See also RxFC[1] and RxFD[2-0]
- 23-10 **Reserved** ..... always reads 0
- 9 **Supports Side Band Addressing** ..... always reads 1
- 8-6 **Reserved** ..... always reads 0
- 5 **4G Supported** ..... (can be written at RxAE[5])
- 4 **Fast Write Supported** .... (can be written at RxAE[4])
- 3 **Reserved** ..... always reads 0
- 2 **2X Rate Supported** ..... always reads 1
- 1 **2X Rate Supported** ..... always reads 1
- 0 **1X Rate Supported** ..... always reads 1

**Device 0 Offset AB-A8 - AGP Command (00000000h)..RW**

- 31-24 **Request Depth** (reserved for target) ..always reads 0s
- 23-10 **Reserved** .....always reads 0s
- 9 **Side Band Addressing Enable**  
0 Disable .....default  
1 Enable
- 8 **AGP Enable**  
0 Disable .....default  
1 Enable
- 7-6 **Reserved** .....always reads 0s
- 5 **4G Enable**  
0 Disable .....default  
1 Enable
- 4 **Fast Write Enable**  
0 Disable .....default  
1 Enable
- 3 **Reserved** .....always reads 0s
- 2 **4X Mode Enable**  
0 Disable .....default  
1 Enable
- 1 **2X Mode Enable**  
0 Disable .....default  
1 Enable
- 0 **1X Mode Enable**  
0 Disable .....default  
1 Enable

**Device 0 Offset AC - AGP Control (00h)..... RW**

- 7 **Reserved** .....always reads 0
- 6 **AGP Read Synchronization**  
0 Disable..... default  
1 Enable
- 5 **AGP Read Snoop DRAM Post-Write Buffer**  
0 Disable..... default  
1 Enable
- 4 **GREQ# Priority Becomes Higher When Arbiter is Parked at AGP Master**  
0 Disable..... default  
1 Enable
- 3 **2X Rate Supported**  
0 Disable..... default  
1 Enable
- 2 **Fence / Flush**  
0 Disable – low priority requests may be executed out of order. .... default  
1 Enable – all normal priority AGP operations will be executed in order
- 1 **AGP Grant Parking Policy**  
0 Non-Parking Grant – if GFRM# or GPIPE# is asserted, GGNT# is deasserted..... default  
1 Parking Grant – if GFRM# or GPIPE# is asserted, GGNT# is not de-asserted until GREQ# is deasserted or timeout
- 0 **AGP to PCI Master or CPU to PCI Turnaround Cycle**  
0 2T or 3T Timing ..... default  
1 1T Timing

**Device 0 Offset AD – AGP Misc Control 1 (02h).....RW**

- 7-6 **Reserved** ..... always reads 0
- 5 **Input on AGP GD / GBE Pads**
  - 0 Disable .....default
  - 1 Enable
- 4 **Choose First or Last Ready of DRAM**
  - 0 Last ready chosen.....default
  - 1 First ready chosen
- 3-0 **AGP Data Phase Latency Timer** ..... default = 02h

**Device 0 Offset AE – AGP Misc Control 2 (00h)..... RW**

- 7-6 **Reserved** .....always reads 0
- 5 **4G Supported**
  - 0 4G not supported ..... default
  - 1 4G supported
- 4 **Fast Write Supported**
  - 0 Fast Write not supported ..... default
  - 1 Fast Write supported
- 3 **Reserved** .....always reads 0
- 2 **4X Rate Supported**
  - 0 Disable..... default
  - 1 Enable
- 1-0 **Reserved** .....always reads 0

**V-Link Control**

**Device 0 Offset B4 – V-Link NB Compensation Ctrl (00h)RW**

- 7-6 **V-Link Autocomp Output Value**..... always reads 0
- 5 **Pullup Compensation Selection**
  - 0 Auto Comp (use values in bits 7-6).....default
  - 1 Manual Comp (use values in bits 3-2)
- 4 **Pulldown Compensation Selection**
  - 0 Auto Comp (use values in bits 7-6).....default
  - 1 Manual Comp (use values in bits 1-0)
- 3-2 **Pullup Compensation Manual Setting** ..... def = 0
- 1-0 **Pulldown Compensation Manual Setting** .... def = 0

**Device 0 Offset B5 – V-Link NB Drive Control (00h)....RW**

- 7-6 **NB V-Link Strobe Pullup Manual Setting**
- 5-4 **NB V-Link Strobe Pulldown Manual Setting**
- 3-1 **Reserved** ..... always reads 0
- 0 **NB V-Link Slew Rate Control**
  - 0 Disable .....default
  - 1 Enable

**Device 0 Offset B8 – V-Link SB Compensation Ctrl (00h)RW**

- 7-6 **V-Link Autocomp Output Value** .....always reads 0
- 5 **Pullup Compensation Selection**
  - 0 Auto Comp (use values in bits 7-6)..... default
  - 1 Manual Comp (use values in bits 3-2)
- 4 **Pulldown Compensation Selection**
  - 0 Auto Comp (use values in bits 7-6)..... default
  - 1 Manual Comp (use values in bits 1-0)
- 3-2 **Pullup Compensation Manual Setting**..... def = 0
- 1-0 **Pulldown Compensation Manual Setting**..... def = 0

**Device 0 Offset B9 – V-Link SB Drive Control (00h).... RW**

- 7-6 **SB V-Link Strobe Pullup Manual Setting**
- 5-4 **SB V-Link Strobe Pulldown Manual Setting**
- 3-1 **Reserved** .....always reads 0
- 0 **SB V-Link Slew Rate Control**
  - 0 Disable..... default
  - 1 Enable

**Power Management**

**Device 0 Offset BC – Power Management Mode (00h)..RW**

- 7 **Dynamic Power Management**
  - 0 Disable .....default
  - 1 Enable
- 6-0 **Reserved** ..... always reads 0

**Device 0 Offset BD – DRAM Power Mgmt Mode (00h) RW**

- 7 **Reserved** ..... always reads 0
- 6 **Dynamic CKE When DRAM Is Idle**
  - 0 Disable .....default
  - 1 Enable
- 5 **Dynamic DRAM I/O Pad Power-Down (Float)**
  - 0 Disable .....default
  - 1 Enable
- 4-0 **Reserved** ..... always reads 0

**Device 0 Offset BE – Dynamic Clock Stop Control (00h)RW**

- 7 **Host CPU Interface Power Management**
  - 0 Disable .....default
  - 1 Enable
- 6 **System Memory Interface Power Management**
  - 0 Disable .....default
  - 1 Enable
- 5 **V-Link Interface Power Management**
  - 0 Disable .....default
  - 1 Enable
- 4 **AGP Interface Power Management**
  - 0 Disable .....default
  - 1 Enable
- 3 **Reserved** ..... always reads 0
- 2 **Graphics Memory Interface Power Management**
  - 0 Disable .....default
  - 1 Enable
- 1 **Configuration Registers Power Management**
  - 0 Disable .....default
  - 1 Enable
- 0 **Reserved** ..... always reads 0

**Device 0 Offset BF – DRAM Pad Toggle Reduction (00h)RW**

- 7 **MA / SCMD Pin Toggle Reduction**
  - 0 Disable .....default
  - 1 Enable (MA and S command pins won't toggle if not accessed)
- 6 **Slew Rate Control for MA / SCMD**
  - 0 Disable .....default
  - 1 Enable
- 5-0 **Reserved** ..... always reads 0

**Device 0 Offset C0 – Power Management Capability IDRO**

- 7-0 **Capability ID** .....always reads 01h

**Device 0 Offset C1 – Power Management Next Pointer. RO**

- 7-0 **Next Pointer** ..... always reads 00h (“Null” Pointer)

**Device 0 Offset C2 – Power Mgmt Capabilities I ..... RO**

- 7-0 **Power Management Capabilities** ..always reads 02h

**Device 0 Offset C3 – Power Mgmt Capabilities II..... RO**

- 7-0 **Power Management Capabilities** ..always reads 00h

**Device 0 Offset C4 – Power Mgmt Control / Status ..... RW**

- 7-2 **Reserved** .....always reads 0
- 1-0 **Power State**
  - 00 D0 ..... default
  - 01 -reserved-
  - 10 -reserved-
  - 11 D3 Hot

**Device 0 Offset C5 – Power Management Status..... RW**

- 7-0 **Power Management Status** ..... default = 00h

**Device 0 Offset C6 – PCI-to-PCI Bridge Support Ext... RW**

- 7-0 **P2P Bridge Support Extensions** ..... default = 00h

**Device 0 Offset C7 – Power Management Data ..... RW**

- 7-0 **Power Management Data** ..... default = 00h

**Frame Buffer and High Memory Control**

**Device 0 Offset E0 – CPU Direct Access FB Base (00h) RW**

- 7-1 CPU Direct Access FB Base Address[27:21] . def=0
- 0 CPU Direct Access Frame Buffer
  - 0 Disable .....default
  - 1 Enable

**Device 0 Offset E1 – CPU Direct Access FB Size (00h)..RW**

- 7 Internal VGA
  - 0 Disable .....default
  - 1 Enable
- 6-4 Frame Buffer Size
  - 000 None .....default
  - 001 -reserved-
  - 010 -reserved-
  - 011 8MB
  - 100 16MB
  - 101 32MB
  - 110 64MB
  - 111 -reserved-

Note: For WHQL certified driver, the frame buffer size is required to be 16MB or above.

- 3-0 CPU Direct Access FB Base Address[31:28] . def=0

**Device 0 Offset E2 – VGA Arbitration Timer 1 (00h)...RW**

- 7-4 Timer for Promoted High Priority Display Requests ..... def = 0
- 3-0 Timer for Promoted High Priority Display . def = 0

The fields above are defined in units of 16 memory (DRAM) clocks. (See also note under VGA Timer 2 description).

**Device 0 Offset E3 – UMA Control (00h).....RW**

- 7-5 Reserved ..... always reads 0
- 4 Frame Buffer Address Conversion
  - 0 Disable .....default
  - 1 Enable

Setting this bit further optimizes the MA table for VGA frame buffer accesses according to the DRAM page size in use. Setting this bit should improve VGA performance especially in tiling address mode. This bit cannot be used at the same time as CPU Direct Access FB mode. If used, this bit must be set before enabling the internal VGA to prevent display corruption.

- 3-2 Reserved ..... always reads 0
- 1-0 Frame Buffer Bank

**Device 0 Offset E6 – SMM / APIC Decoding (01h) ..... RW**

- 7-6 Reserved .....always reads 0
- 5 Reserved (Do Not Program) ..... default = 0
- 4 I/O APIC Decoding
  - 0 FECxxxxx accesses go to PCI..... default
  - 1 FEC00000 to FEC7FFFF accesses go to PCI  
FEC80000 to FECFFFFFF accesses go to AGP
- 3 MSI (Processor Message) Support
  - 0 Disable (master access to FEExxxxx will go to PCI) ..... default
  - 1 Enable (master access to FEExxxxx will be passed to host side to do snoop)
- 2 Top SMM
  - 0 Disable..... default
  - 1 Enable
- 1 High SMM
  - 0 Disable..... default
  - 1 Enable
- 0 Compatible SMM
  - 0 Disable
  - 1 Enable..... default

**Device 0 Offset E8 – VGA Arbitration Timer 2 (40h)... RW**

- 7-4 Timer for Promoted Low Priority Display Requests ..... default = 0100b
- 3-0 Timer for Promoted Low Priority Display ..def = 0

The fields above are defined in units of 16 memory (DRAM) clocks.

VGA timers 1 and 2 are access arbitration timers between the display engine and the graphics engine. Normally the display engine has lower priority than the graphics engine unless the display buffer is below the threshold level where display requests become high priority. The VGA Timers provide the ability to override this default behavior. These bits should be set prior to turning on the VGA.

**BIOS Scratch**

**Device 0 Offset F7-F0 – BIOS Scratch Registers..... RW**

- 7-0 No hardware function ..... default = 0



**Device 1 Register Descriptions**

**Device 1 PCI-to-PCI Bridge Header Registers**

All registers are located in PCI configuration space. They should be programmed using PCI configuration mechanism 1 through CF8 / CFC with bus number of 0 and function number equal to 0 and device number equal to one.

**Device 1 Offset 1-0 - Vendor ID (1106h) .....RO**

15-0 ID Code (reads 1106h to identify VIA Technologies)

**Device 1 Offset 3-2 - Device ID (B091h) .....RO**

15-0 ID Code (reads B091h to identify the on-chip PCI-to-PCI Bridge device)

**Device 1 Offset 5-4 – Command (0007h).....RW**

- 15-10 Reserved ..... always reads 0
- 9 **Fast Back-to-Back Cycle Enable** ..... RO
  - 0 Fast back-to-back transactions only allowed to the same agent.....default
  - 1 Fast back-to-back transactions allowed to different agents
- 8 **SERR# Enable**..... RO
  - 0 SERR# driver disabled.....default
  - 1 SERR# driver enabled
 (SERR# is used to report ECC errors)
- 7 **Address / Data Stepping** ..... RO
  - 0 Device never does stepping.....default
  - 1 Device always does stepping
- 6 **Parity Error Response**..... RW
  - 0 Ignore parity errors & continue.....default
  - 1 Take normal action on detected parity errors
- 5 **Reserved** ..... always reads 0
- 4 **Memory Write and Invalidate Command** ..... RO
  - 0 Bus masters must use Mem Write.....default
  - 1 Bus masters may generate Mem Write & Inval
- 3 **Special Cycle Monitoring** ..... RO
  - 0 Does not monitor special cycles.....default
  - 1 Monitors special cycles
- 2 **Bus Master** ..... RW
  - 0 Never behaves as a bus master
  - 1 Enable to operate as a bus master on the primary interface on behalf of a master on the secondary interface .....default
- 1 **Memory Space**..... RW
  - 0 Does not respond to memory space
  - 1 Enable memory space access .....default
- 0 **I/O Space** ..... RW
  - 0 Does not respond to I/O space
  - 1 Enable I/O space access .....default

**Device 1 Offset 7-6 - Status (Primary Bus) (0230h).... RWC**

- 15 **Detected Parity Error** .....always reads 0
- 14 **Signaled System Error (SERR#)**.....always reads 0
- 13 **Signaled Master Abort**
  - 0 No abort received ..... default
  - 1 Transaction aborted by the master with Master-Abort (except Special Cycles)..... write 1 to clear
- 12 **Received Target Abort**
  - 0 No abort received ..... default
  - 1 Transaction aborted by the target with Target-Abort .....write 1 to clear
- 11 **Signaled Target Abort** .....always reads 0
- 10-9 **DEVSEL# Timing**
  - 00 Fast
  - 01 Medium ..... always reads 01
  - 10 Slow
  - 11 Reserved
- 8 **Data Parity Error Detected** .....always reads 0
- 7 **Fast Back-to-Back Capable** .....always reads 0
- 6 **User Definable Features**.....always reads 0
- 5 **66MHz Capable**..... always reads 1
- 4 **Supports New Capability list**..... always reads 1
- 3-0 **Reserved** .....always reads 0

**Device 1 Offset 8 - Revision ID (0nh)..... RO**

7-0 Chip Revision Code..... always reads 0nh

**Device 1 Offset 9 - Programming Interface (00h)..... RO**

This register is defined in different ways for each Base/Sub-Class Code value and is undefined for this type of device.

7-0 Interface Identifier .....always reads 00

**Device 1 Offset A - Sub Class Code (04h)..... RO**

7-0 Sub Class Code .reads 04 to indicate PCI-PCI Bridge

**Device 1 Offset B - Base Class Code (06h)..... RO**

7-0 Base Class Code.. reads 06 to indicate Bridge Device

**Device 1 Offset D - Latency Timer (00h)..... RO**

7-0 Reserved .....always reads 0

**Device 1 Offset E - Header Type (01h) ..... RO**

7-0 Header Type Code..... reads 01: PCI-PCI Bridge

**Device 1 Offset 18 - Primary Bus Number (00h).....RW**

**7-0 Primary Bus Number** ..... default = 0  
This register is read write, but internally the chip always uses bus 0 as the primary.

**Device 1 Offset 19 - Secondary Bus Number (00h) .....RW**

**7-0 Secondary Bus Number** ..... default = 0  
Note: AGP must use these bits to convert Type 1 to Type 0.

**Device 1 Offset 1A - Subordinate Bus Number (00h) ....RW**

**7-0 Primary Bus Number** ..... default = 0  
Note: AGP must use these bits to decide if Type 1 to Type 1 command passing is allowed.

**Device 1 Offset 1B – Secondary Latency Timer (00h) ....RO**

**7-0 Reserved** ..... always reads 0

**Device 1 Offset 1C - I/O Base (F0h).....RW**

**7-4 I/O Base AD[15:12]** ..... default = 1111b  
**3-0 I/O Addressing Capability** ..... default = 0

**Device 1 Offset 1D - I/O Limit (00h).....RW**

**7-4 I/O Limit AD[15:12]** ..... default = 0  
**3-0 I/O Addressing Capability** ..... default = 0

**Device 1 Offset 1F-1E - Secondary Status.....RO**

**15-0 Secondary Status**  
Rx44[4] = 0: these bits read back 0000h  
Rx44[4] = 1: these bits read back same as Rx7-6

**Device 1 Offset 21-20 - Memory Base (FFF0h).....RW**

**15-4 Memory Base AD[31:20]** ..... default = FFFh  
**3-0 Reserved** ..... always reads 0

**Device 1 Offset 23-22 - Memory Limit (Inclusive) (0000h) RW**

**15-4 Memory Limit AD[31:20]** ..... default = 0  
**3-0 Reserved** ..... always reads 0

**Device 1 Offset 25-24 - Prefetchable Memory Base (FFF0h) .....RW**

**15-4 Prefetchable Memory Base AD[31:20]** ..def = FFFh  
**3-0 Reserved** ..... always reads 0

**Device 1 Offset 27-26 - Prefetchable Memory Limit (0000h) .....RW**

**15-4 Prefetchable Memory Limit AD[31:20]** ..... def = 0  
**3-0 Reserved** ..... always reads 0

**Device 1 Offset 34 - Capability Pointer (80h)..... RO**

Contains a byte offset from the start of configuration space.

**7-0 AGP Capability List Pointer** ..... always reads 80h

**Device 1 Offset 3F-3E – PCI-to-PCI Bridge Control (0000h) ..... RW**

**15-4 Reserved** .....always reads 0

**3 VGA-Compatible I/O and Memory Addresses**

0 Do not forward VGA accesses ..... default  
1 Forward VGA accesses

Note: VGA addresses are memory A0000-BFFFFh and I/O addresses 3B0-3BBh, 3C0-3CFh and 3D0-3DFh (10-bit decode). "Mono" text mode uses B0000-B7FFFh and "Color" Text Mode uses B8000-BFFFFh. Graphics modes use Axxxxh. Mono VGA uses I/O addresses 3Bx-3Cxh and Color VGA uses 3Cx-3Dxh. If an MDA is present, a VGA will not use the 3Bxh I/O addresses and B0000-B7FFFh memory space; if not, the VGA will use those addresses to emulate MDA modes.

**2 Block / Forward ISA I/O Addresses**

0 Forward all I/O accesses to the AGP bus if they are in the range defined by the I/O Base and I/O Limit registers (device 1 offset 1C-1D)

..... default  
1 Do not forward I/O accesses to the AGP bus that are in the 100-3FFh address range even if they are in the range defined by the I/O Base and I/O Limit registers.

**1-0 Reserved** .....always reads 0

**Device 1 PCI-to-PCI Bridge Device-Specific Registers**

**Internal AGP Bus Control**

**Device 1 Offset 40 - CPU-to-AGP Flow Control 1 (00h) RW**

- 7 CPU-AGP Post Write**
  - 0 Disable .....default
  - 1 Enable
- 6 Reserved** ..... always reads 0
- 5 CPU-AGP One Wait State Burst Write**
  - 0 Disable .....default
  - 1 Enable
- 4-3 Read Prefetch Control**
  - 00 Always prefetch .....default
  - 10 Prefetch only for “Enhance” command
  - x1 Prefetch Disable
- 2 MDA Present on AGP**
  - 0 Forward MDA accesses to AGP .....default
  - 1 Forward MDA accesses to PCI

Note: Forward despite IO / Memory Base / Limit  
 Note: MDA (Monochrome Display Adapter) addresses are memory addresses B0000h-B7FFFh and I/O addresses 3B4-3B5h, 3B8-3BAh and 3BFh (10-bit decode). 3BC-3BE are reserved for printers.  
 Note: If Rx3E bit-3 is 0, this bit is a don't care (MDA accesses are forwarded to the PCI bus).
- 1 AGP Master Read Caching**
  - 0 Disable .....default
  - 1 Enable
- 0 AGP Delay Transaction**
  - 0 Disable .....default
  - 1 Enable

**Device 1 Offset 41 - CPU-to-AGP Flow Control 2 (08h) RW**

- 7 Retry Status**
  - 0 No retry occurred..... default
  - 1 Retry Occurred ..... **write 1 to clear**
- 6 Retry Timeout Action**
  - 0 No action taken except to record status ..... def
  - 1 Flush buffer for write or return all 1s for read
- 5-4 Retry Count**
  - 00 Retry 2, backoff CPU ..... default
  - 01 Retry 4, backoff CPU
  - 10 Retry 16, backoff CPU
  - 11 Retry 64, backoff CPU
- 3 CPU-to-AGP Bursting Timeout**
  - 0 Disable
  - 1 Enable..... **default**
- 2 Reserved** .....always reads 0
- 1 CPU-to-PCI/AGP Cycles Invalidate PCI/AGP Buffered Read Data**
  - 0 Disable..... default
  - 1 Enable
- 0 AGP Read Bursting**
  - 0 Disable..... default
  - 1 Enable

**Table 9. VGA / MDA Memory / IO Redirection**

<u>3E[3]</u> <u>VGA</u> <u>Pres.</u>	<u>40[2]</u> <u>MDA</u> <u>Pres.</u>	<u>VGA</u> <u>is</u> <u>on</u>	<u>MDA</u> <u>is</u> <u>on</u>	<u>Axxxx,</u> <u>B8xxx</u> <u>Access</u>	<u>B0000</u> <u>-B7FFF</u> <u>Access</u>	<u>3Cx,</u> <u>3Dx</u> <u>I/O</u>	<u>3Bx</u> <u>I/O</u>
0	-	PCI	PCI	PCI	PCI	PCI	PCI
1	0	AGP	AGP	AGP	AGP	AGP	AGP
1	1	AGP	PCI	AGP	PCI	AGP	PCI

**Device 1 Offset 42 - AGP Master Control (00h).....RW**

- 7 AGP Performance Enhancement**
  - 0 Disable .....default
  - 1 Enable
- 6 AGP Master One Wait State Write**
  - 0 Disable .....default
  - 1 Enable
- 5 AGP Master One Wait State Read**
  - 0 Disable .....default
  - 1 Enable
- 4 Break Consecutive PCI Master Accesses**
  - 0 Disable .....default
  - 1 Enable
- 3 Dynamic AGP Mem Read Ready Head-Tail Select**
  - 0 Disable (use tail to return data) .....default
  - 1 Enable (dynamically use head or tail to return data)
- 2 Claim I/O R/W and Memory Read Cycles**
  - 0 Disable .....default
  - 1 Enable
- 1 Claim Local APIC FEE<sub>x</sub> xxxx Cycles**
  - 0 Disable .....default
  - 1 Enable
- 0 Support Host CPU Snoop Cycles at 2T Rate**
  - 0 Disable .....default
  - 1 Enable

**Device 1 Offset 43 - AGP Master Latency Timer (22h) RW**

- 7-4 Host to AGP Time slot**
  - 0 Disable (no timer)
  - 1 16 GCLKs
  - 2 32 GCLKs .....default
  - ... ..
  - F 240 GCLKs
- 3-0 AGP Master Time Slot**
  - 0 Disable (no timer)
  - 1 16 GCLKs
  - 2 32 GCLKs .....default
  - ... ..
  - F 240 GCLKs

**Device 1 Offset 45 – Fast Write Control (72h)..... RW**

- 7 Force Fast Write Cycle to be QW Aligned**  
(if Rx45[6] = 0)
  - 0 Disable..... default
  - 1 Enable
- 6 Merge Multiple CPU Transactions Into One Fast Write Burst Transaction**
  - 0 Disable
  - 1 Enable..... default
- 5 Merge Multiple CPU Write Cycles To Memory Offset 23-20 Into Fast Write Burst Cycles**  
(if Rx45[6] = 0)
  - 0 Disable
  - 1 Enable..... default
- 4 Merge Multiple CPU Write Cycles To Prefetchable Memory Offset 27-24 Into Fast Write Burst Cycles** (if Rx45[6] = 0)
  - 0 Disable
  - 1 Enable..... default
- 3 Reserved** .....always reads 0
- 2 Fast Write Burst 4T Max (No Slave Flow Control)**
  - 0 Disable..... default
  - 1 Enable
- 1 Fast Write Fast Back to Back**
  - 0 Disable
  - 1 Enable..... default
- 0 Fast Write Initial Block 1 Wait State**
  - 0 Disable..... default
  - 1 Enable

Rx45 Bits	CPU Write Address	CPU Write Address	Fast Write Cycle Alignment
<u>7-4</u>	<u>in Mem1</u>	<u>in Mem2</u>	
x1xx	-	-	QW aligned, burstable
0000	-	-	DW aligned, nonburstable
x010	0	0	n/a
0010	0	1	DW aligned, non-burstable
x010	1	-	QW aligned, burstable
x001	0	0	n/a
x001	-	1	QW aligned, burstable
0001	1	0	DW aligned, non-burstable
x011	0	0	n/a
x011	1	-	QW aligned, burstable
x011	0	1	QW aligned, burstable
1000	-	-	QW aligned, non-burstable
1010	0	1	QW aligned, non-burstable
1001	1	0	QW aligned, non-burstable

**Device 1 Offset 47-46 – PCI-to-PCI Bridge Device ID...RW**

15-0 PCI-to-PCI Bridge Device ID ..... default = 0000

**Device 1 Offset 48 – AGP Parity Error Control.....RW**

- 7-2 Reserved ..... always reads 0
- 1 Pass AGP Data Parity Error to V-Link
  - 0 Disable ..... default
  - 1 Enable
- 0 Pass AGP Address Parity Error to V-Link
  - 0 Disable ..... default
  - 1 Enable

**Power Management**

**Device 1 Offset 80 – Capability ID (01h) ..... RO**

7-0 Capability ID ..... always reads 01h

**Device 1 Offset 81 – Next Pointer (00h)..... RO**

7-0 Next Pointer: Null ..... always reads 00h

**Device 1 Offset 82 – Power Mgmt Capabilities 1 (02h).. RO**

7-0 Power Mgmt Capabilities ..... always reads 02h

**Device 1 Offset 83 – Power Mgmt Capabilities 2 (00h).. RO**

7-0 Power Mgmt Capabilities ..... always reads 00h

**Device 1 Offset 84 – Power Mgmt Ctrl/Status (00h)..... RW**

- 7-2 Reserved ..... always reads 0
- 1-0 Power State
  - 00 D0 ..... default
  - 01 -reserved-
  - 10 -reserved-
  - 11 D3 Hot

**Device 1 Offset 85 – Power Mgmt Status (00h)..... RO**

7-0 Power Mgmt Status ..... default = 00

**Device 1 Offset 86 – P2P Br. Support Extensions (00h). RO**

7-0 P2P Bridge Support Extensions ..... default = 00

**Device 1 Offset 87 – Power Management Data (00h) ..... RO**

7-0 Power Management Data ..... default = 00

# FUNCTIONAL DESCRIPTION

## Integrated Graphics Controller

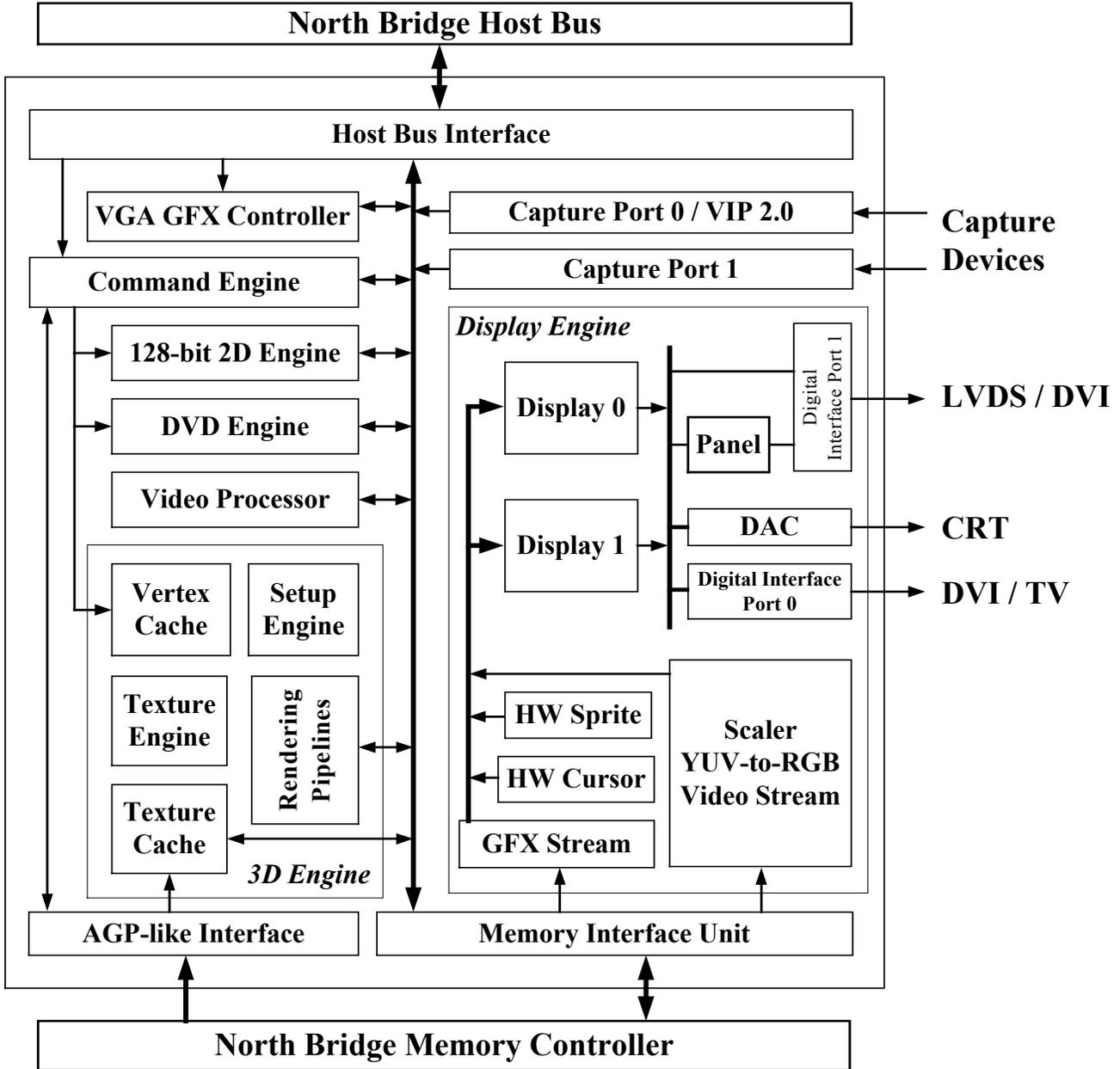


Figure 4. Graphics Controller Internal Block Diagram

### Internal Architecture

A high-level block diagram of the integrated graphics controller core is shown in Figure 4 above. This diagram is intended to be used for gaining an understanding of chip features and programming. It shows logical structure but is not intended to show actual internal implementation details.

**Graphics Modes**

Mode support is influenced by:

- Amount, speed and bus width of video memory
- Display resolution and color depth
- Maximum refresh capability detected for the display devices
- Panel Size
- Single IGA or Dual IGA setting
- SMM setting

**Desktop Modes - Single Display**

LCD Single Display modes follow the 60Hz refresh column in the table below.

		CRT MAXIMUM REFRESH				
RESOLUTION	BPP	60	75	85	100	120
<b>640x480</b>	8	√	√	√	√	√
	16	√	√	√	√	√
	32	√	√	√	√	√
<b>800x600</b>	8	√	√	√	√	√
	16	√	√	√	√	√
	32	√	√	√	√	
<b>1024x768</b>	8	√	√	√	√1	
	16	√	√	√1	√1	
	32	√	√	√1		
<b>1152x864</b>	8	√	√			
	16	√	√			
	32	√	√			
<b>1280x1024</b>	8	√	√	√		
	16	√	√	√		
	32	√	√	√3		
<b>1400x1050**</b>	8	√	√	√		
	16	√	√	√1		
	32	√	√3	√4		

**Table 10. Desktop Graphics Modes – Single Display**

**Key for Desktop Modes**

- \*\* = Mode available for systems where this LCD panel size is detected
- √ = Supported with DDR200 or DDR266: **Mode available and Overlay available**
- √1 = DDR200: **Mode available**, overlay not available. DDR266: **Mode available, overlay available.**
- √2 = DDR200: **Mode available**, overlay not available. DDR266: **Mode available**, overlay not available.
- √3 = DDR200: Mode not available, overlay not available. DDR266: **Mode available, overlay available.**
- √4 = DDR200: Mode not available, overlay not available. DDR266: **Mode available**, overlay not available.

**Desktop Modes - LCD VGA 640x480 Multiple Display**

CRT RESOLUTION	BPP	LCD 8BPP					LCD 16BPP					LCD 32BPP				
		CRT MAXIMUM REFRESH					CRT MAXIMUM REFRESH					CRT MAXIMUM REFRESH				
		60	75	85	100	120	60	75	85	100	120	60	75	85	100	120
<b>640x480</b>	8	√	√	√	√	√	√	√	√	√	√	√	√	√	√	√
	16	√	√	√	√	√	√	√	√	√	√	√	√	√	√	√
	32	√	√	√	√	√	√	√	√	√	√	√	√	√	√	√
<b>800x600</b>	8	√	√	√	√	√	√	√	√	√	√	√	√	√	√	√
	16	√	√	√	√	√	√	√	√	√	√	√	√	√	√	√1
	32	√	√	√	√		√	√	√	√		√	√	√	√1	
<b>1024x768</b>	8	√	√	√	√		√	√	√	√		√	√	√	√1	
	16	√	√	√	√1		√	√	√	√1		√	√	√1	√2	
	32	√	√	√1			√	√	√1			√	√	√1		
<b>1152x864</b>	8	√	√				√	√				√	√			
	16	√	√				√	√				√	√1			
	32	√	√1				√	√1				√	√1			
<b>1280x1024</b>	8	√	√1	√1			√	√1	√1			√	√1	√2		
	16	√	√1	√1			√	√1	√1			√1	√1	√2		
	32	√	√1	√4			√	√1	√4			√1	√2	√4		
<b>1400x1050</b>	8	√1	√2				√1	√2				√2	√2			
	16	√2	√2				√2	√2				√2	√2			
	32	√4					√4					√4				

**Table 11. Desktop Graphics Modes – LCD VGA 640x480 Multiple Display**

**Key for Desktop Modes**

- √ = Supported with DDR200 or DDR266: **Mode available and Overlay available**
- √1 = DDR200: **Mode available**, overlay not available. DDR266: **Mode available, overlay available.**
- √2 = DDR200: **Mode available**, overlay not available. DDR266: **Mode available**, overlay not available.
- √3 = DDR200: Mode not available, overlay not available. DDR266: **Mode available, overlay available.**
- √4 = DDR200: Mode not available, overlay not available. DDR266: **Mode available**, overlay not available.
- √5 = Mode and Motion Compensation available with LCD in standalone configuration only



**Desktop Modes - LCD SVGA 800x600 Multiple Display**

CRT RESOLUTION	BPP	LCD 8BPP					LCD 16BPP					LCD 32BPP				
		CRT MAXIMUM REFRESH					CRT MAXIMUM REFRESH					CRT MAXIMUM REFRESH				
		60	75	85	100	120	60	75	85	100	120	60	75	85	100	120
<b>640x480</b>	8	√	√	√	√	√	√	√	√	√	√	√	√	√	√	√
	16	√	√	√	√	√	√	√	√	√	√	√	√	√	√	√
	32	√	√	√	√	√	√	√	√	√	√	√	√	√	√	√
<b>800x600</b>	8	√	√	√	√	√	√	√	√	√	√	√	√	√	√	√
	16	√	√	√	√	√	√	√	√	√	√	√	√	√	√	√1
	32	√	√	√	√		√	√	√	√		√	√	√	√1	
<b>1024x768</b>	8	√	√	√	√		√	√	√	√		√	√	√	√1	
	16	√	√	√	√1		√	√	√	√1		√	√	√1	√2	
	32	√	√	√1			√	√	√1			√	√	√1		
<b>1152x864</b>	8	√	√				√	√				√	√			
	16	√	√1				√	√1				√	√1			
	32	√	√1				√	√1				√	√1			
<b>1280x1024</b>	8	√	√1	√1			√	√1	√1			√	√2	√2		
	16	√	√1	√1			√	√1	√1			√1	√2	√2		
	32	√	√1	√4			√	√1	√4			√1	√4	√4		
<b>1400x1050</b>	8	√2	√2				√2	√2				√2	√2			
	16	√2	√2				√2	√2				√2	√2			
	32	√4					√4					√4				

**Table 12. Desktop Graphics Modes – LCD SVGA 800x600 Multiple Display**

**Key for Desktop Modes**

- √ = Supported with DDR200 or DDR266: **Mode available and Overlay available**
- √1 = DDR200: **Mode available**, overlay not available. DDR266: **Mode available, overlay available.**
- √2 = DDR200: **Mode available**, overlay not available. DDR266: **Mode available**, overlay not available.
- √3 = DDR200: Mode not available, overlay not available. DDR266: **Mode available, overlay available.**
- √4 = DDR200: Mode not available, overlay not available. DDR266: **Mode available**, overlay not available.
- √5 = Mode and Motion Compensation available with LCD in standalone configuration only

**Desktop Modes - LCD XGA 1024x768 Multiple Display**

CRT RESOLUTION	BPP	LCD 8BPP					LCD 16BPP					LCD 32BPP				
		CRT MAXIMUM REFRESH					CRT MAXIMUM REFRESH					CRT MAXIMUM REFRESH				
		60	75	85	100	120	60	75	85	100	120	60	75	85	100	120
<b>640x480</b>	8	√	√	√	√	√	√	√	√	√	√	√	√	√	√	√
	16	√	√	√	√	√	√	√	√	√	√	√	√	√	√	√
	32	√	√	√	√	√	√	√	√	√	√	√	√	√	√	√
<b>800x600</b>	8	√	√	√	√	√	√	√	√	√	√	√	√	√	√	√
	16	√	√	√	√	√	√	√	√	√	√	√	√	√	√	√1
	32	√	√	√	√		√	√	√	√		√	√	√	√1	
<b>1024x768</b>	8	√	√	√	√		√	√	√	√		√	√	√	√1	
	16	√	√	√	√1		√	√	√	√1		√	√1	√1	√2	
	32	√	√	√1			√	√	√1			√1	√1	√1		
<b>1152x864</b>	8	√	√				√	√				√	√1			
	16	√	√1				√	√1				√1	√1			
	32	√	√1				√	√1				√1	√1			
<b>1280x1024</b>	8	√	√1	√1			√	√1	√1			√1	√2	√2		
	16	√1	√1	√1			√1	√1	√1			√1	√2	√2		
	32	√1	√1	√4			√1	√1	√4			√1	√2	√4		
<b>1400x1050</b>	8	√2	√2				√2	√2				√2	√2			
	16	√2	√2				√2	√2				√2	√2			
	32	√4					√4					√4				

**Table 13. Desktop Graphics Modes – LCD XGA 1024x768 Multiple Display**

**Key for Desktop Modes**

- √ = Supported with DDR200 or DDR266: **Mode available and Overlay available**
- √1 = DDR200: **Mode available**, overlay not available. DDR266: **Mode available, overlay available.**
- √2 = DDR200: **Mode available**, overlay not available. DDR266: **Mode available**, overlay not available.
- √3 = DDR200: Mode not available, overlay not available. DDR266: **Mode available, overlay available.**
- √4 = DDR200: Mode not available, overlay not available. DDR266: **Mode available**, overlay not available.
- √5 = Mode and Motion Compensation available with LCD in standalone configuration only

**Desktop Modes - LCD SXGA 1280x1024 Multiple Display**

CRT RESOLUTION	BPP	LCD 8BPP					LCD 16BPP					LCD 32BPP				
		CRT MAXIMUM REFRESH					CRT MAXIMUM REFRESH					CRT MAXIMUM REFRESH				
		60	75	85	100	120	60	75	85	100	120	60	75	85	100	120
<b>640x480</b>	8	√	√	√	√	√	√	√	√	√	√	√1	√1	√1	√1	√1
	16	√	√	√	√	√	√	√	√	√	√	√1	√1	√1	√3	√4
	32	√	√	√	√	√	√	√	√	√	√	√3	√3	√3	√4	√4
<b>800x600</b>	8	√	√	√	√	√	√	√	√	√	√	√1	√1	√1	√3	√2
	16	√	√	√	√	√1	√	√	√	√	√1	√3	√4	√4	√4	√4
	32	√	√	√	√1		√	√	√	√1		√3	√4	√4	√4	
<b>1024x768</b>	8	√	√	√	√1		√	√	√	√1		√1	√1	√2	√4	
	16	√	√1	√1	√1		√	√1	√1	√1		√4	√4	√4	√4	
	32	√1	√1	√2			√1	√1	√2			√4	√4	√4		
<b>1152x864</b>	8	√	√1				√	√1				√2	√2			
	16	√1	√1				√1	√1				√4	√4			
	32	√1	√2				√1	√2				√4	√4			
<b>1280x1024</b>	8	√1	√1	√2			√1	√1	√2			√4	√4	√4		
	16	√1	√2	√2			√1	√2	√2			√4	√4	√4		
	32	√2	√2	√4			√2	√2	√4			√4				
<b>1400x1050</b>	8	√2	√2				√2	√2				√4	√4			
	16	√2	√2				√2	√2				√4	√4			
	32	√4					√4									

**Table 14. Desktop Graphics Modes – LCD SXGA 1280x1024 Multiple Display**

**Key for Desktop Modes**

- √ = Supported with DDR200 or DDR266: **Mode available and Overlay available**
- √1 = DDR200: **Mode available**, overlay not available. DDR266: **Mode available, overlay available.**
- √2 = DDR200: **Mode available**, overlay not available. DDR266: **Mode available**, overlay not available.
- √3 = DDR200: Mode not available, overlay not available. DDR266: **Mode available, overlay available.**
- √4 = DDR200: Mode not available, overlay not available. DDR266: **Mode available**, overlay not available.
- √5 = Mode and Motion Compensation available with LCD in standalone configuration only

**Desktop Modes - LCD SXGA+ 1400x1050 Multiple Display**

Note: LCD at 32bpp is not supported with SXGA+ panels.

CRT RESOLUTION	BPP	LCD 8BPP					LCD 16BPP					LCD 32BPP <sup>5</sup>				
		CRT MAXIMUM REFRESH					CRT MAXIMUM REFRESH					CRT MAXIMUM REFRESH				
		60	75	85	100	120	60	75	85	100	120	60	75	85	100	120
<b>640x480</b>	8	√	√	√	√	√	√	√	√	√	√					
	16	√	√	√	√	√	√	√	√	√	√					
	32	√	√	√	√	√	√	√	√	√	√					
<b>800x600</b>	8	√	√	√	√	√	√	√	√	√	√					
	16	√	√	√	√	√1	√	√	√	√	√1					
	32	√	√	√	√1		√	√	√	√1						
<b>1024x768</b>	8	√	√	√	√1		√	√	√	√1						
	16	√	√1	√1	√2		√	√1	√1	√2						
	32	√1	√2	√2			√1	√2	√2							
<b>1152x864</b>	8	√	√1				√	√1								
	16	√1	√1				√1	√1								
	32	√1	√2				√1	√2								
<b>1280x1024</b>	8	√1	√1	√2			√1	√1	√2							
	16	√1	√2	√2			√1	√2	√2							
	32	√2	√2	√4			√2	√2	√4							
<b>1400x1050</b>	8	√2	√2				√2	√2								
	16	√2	√2				√2	√2								
	32	√4	√4				√4	√4								

**Table 15. Desktop Graphics Modes – LCD SXGA+ 1400x1050 Multiple Display**

**Key for Desktop Modes**

- √ = Supported with DDR200 or DDR266: **Mode available and Overlay available**
- √1 = DDR200: **Mode available**, overlay not available. DDR266: **Mode available, overlay available.**
- √2 = DDR200: **Mode available**, overlay not available. DDR266: **Mode available**, overlay not available.
- √3 = DDR200: Mode not available, overlay not available. DDR266: **Mode available, overlay available.**
- √4 = DDR200: Mode not available, overlay not available. DDR266: **Mode available**, overlay not available.
- √5 = Mode and Motion Compensation available with LCD in standalone configuration only

**Graphics Modes That Allow LCD Centering and Expansion**

When the LCD resolution is smaller than the panel’s native resolution, software and hardware may activate centering or expansion depending on the display setting, using the high quality interpolated scaler.

	LCD NATIVE RESOLUTION			
RESOLUTION	LCD XGA 1024x768	LCD WXGA 1280x1024	LCD SXGA+ 1400x1050	LCD UXGA 1600x1200
<b>640x480</b>	<b>CE</b>	<b>CE</b>	<b>CE</b>	<b>CE</b>
<b>800x600</b>	<b>CE</b>	<b>CE</b>	<b>CE</b>	<b>CE</b>
<b>1024x768</b>		<b>CE</b>	<b>CE</b>	<b>CE</b>
<b>1280x1024</b>			<b>CE</b>	<b>CE</b>
<b>1400x1050</b>				

**Table 16. Graphics Modes That Allow LCD Centering and Expansion**

- C** = Centered
- CE** = Centering and Expansion possible for LCD

**VGA Graphics Modes**

Legacy VGA modes may be supported by BIOS and DOS, but most are not enabled for drivers.

RESOLUTION	BPP	COLORS	MEMORY	MODE	CRT REFRESH				
					60	70	75	85	100
<b>40x25</b>	c	16	text	0,1		√			
<b>80x25</b>	c	16	text	2,3		√			
<b>320x200</b>	2	4	2-bit planar	4,5		√			
<b>640x200</b>	1	2	1-bit planar	6		√			
<b>80x25</b>	bw	mono	text	7		√			
<b>320x200</b>	4	16	4-bit planar	0D		√			
<b>640x200</b>	4	16	4-bit planar	0E		√			
<b>640x350</b>	bw	mono	1-bit planar	0F		√			
<b>640x350</b>	4	16	4-bit planar	10		√			
<b>640x480</b>	1	2	2-bit planar	11	√				
<b>640x480</b>	4	16	4-bit planar	12	√				
<b>320x200*</b>	8	256	8-bit packed	13		√			
<b>800x600**</b>	4	16	4-bit planar	102	√		√	√	√

**Table 17. VGA Graphics Modes**

- √ = Supported
- \* = Legacy VGA Mode 13, 320x200x8 is used by DirectDraw
- \*\* = Legacy VESA Mode 102, 800x600x4 is used by Windows XP
- bw = Black and White
- c = Color

**Direct Draw Graphics Modes**

Overlay is enabled for all the Direct Draw modes listed below.

			CRT REFRESH
RESOLUTION	BPP	MODE	85
<b>320x200</b>	8	13	√
	16	10E	√
	32	10F	√
<b>320x240</b>	8	131	√
	16	133	√
	32	134	√
<b>400x300</b>	8	141	√
	16	143	√
	32	144	√
<b>512x384</b>	8	151	√
	16	153	√
	32	154	√
<b>640x400</b>	8	100	√
	16	11D	√
	32	11E	√

**Table 18. Direct Draw Graphics Modes**

√ = Supported

**Graphics Modes for TV Display**

Modes supported on TV using an external TV encoder:

		VT1621		VT1622		CH7009/ CH7010		SAA7108/ SAA7109	
RESOLUTION	Bpp	NTSC	PAL	NTSC	PAL	NTSC	PAL	NTSC	PAL
<b>40x25_TEXT</b>	c	√	√	√	√	√	√	√	√
	c	√	√	√	√	√	√	√	√
<b>80x25_TEXT</b>	c	√	√	√	√	√	√	√	√
	c	√	√	√	√	√	√	√	√
	bw	√	√	√	√	√	√	√	√
<b>320x200</b>	8	√	√	√	√	√	√	√	√
<b>640x480</b>	4	√	√	√	√	√	√	√	√
	8	√	√	√	√	√	√	√	√
	16	√	√	√	√	√	√	√	√
	32	√	√	√	√	√	√	√	√
<b>800x600</b>	8	√	√	√	√	√	√	√	√
	16	√	√	√	√	√	√	√	√
	32	√	√	√	√	√	√	√	√
<b>1024x768</b>	8			√	√	√	√	√	√
	16			√	√	√	√	√	√
	32			√	√	√	√	√	√

**Table 19. Graphics Modes for TV Display**

- √ = Supported
- bw = Black and White
- c = Color



**Additional Graphics Modes for IA Devices**

These modes will be available for use in IA devices, but are not supported for PC configurations.

RESOLUTION	BPP	MODE	CRT REFRESH	
			60	75
<b>720x480</b>	8	171	√	√
	16	173	√	√
	32	175	√	√
<b>720x576</b>	8	17C	√	√
	16	17E	√	√
	32	17F	√	√
<b>848x480</b>	8	15C	√	√
	16	15D	√	√
	32	15F	√	√
<b>1024x512</b>	8	1A9	√	√
	16	1AA	√	√
	32	1AB	√	√

**Table 20. Additional Graphics Modes for IA Devices**

√ = Supported

**Flat Panel Display RGB Mapping**

**Table 21. FPD RGB Mapping**

	18Bit	24Bit
<b>Pin</b>	<b>RGB</b>	<b>RGB</b>
FPD0		B0
FPD1		B1
FPD2	B2	B2
FPD3	B3	B3
FPD4	B4	B4
FPD5	B5	B5
FPD6	B6	B6
FPD7	B7	B7
FPD8		G0
FPD9		G1
FPD10	G2	G2
FPD11	G3	G3
FPD12	G4	G4
FPD13	G5	G5
FPD14	G6	G6
FPD15	G7	G7
FPD16		R0
FPD17		R1
FPD18	R2	R2
FPD19	R3	R3
FPD20	R4	R4
FPD21	R5	R5
FPD22	R6	R6
FPD23	R7	R7

## ELECTRICAL SPECIFICATIONS

### Absolute Maximum Ratings

**Table 22. Absolute Maximum Ratings**

Symbol	Parameter	Min	Max	Unit	Notes
T <sub>C</sub>	Case operating temperature	0	85	°C	1
T <sub>S</sub>	Storage temperature	-55	125	°C	1
V <sub>IN</sub>	Input voltage	-0.5	V <sub>RAIL</sub> + 10%	Volts	1, 2
V <sub>OUT</sub>	Output voltage	-0.5	V <sub>RAIL</sub> + 10%	Volts	1, 2

Note 1. Stress above the conditions listed may cause permanent damage to the device. Functional operation of this device should be restricted to the conditions described under operating conditions.

Note 2. V<sub>RAIL</sub> is defined as the V<sub>CC</sub> level of the respective rail. The CPU interface can be 3.3V or 2.5V. Memory can be 3.3V only. PCI can be 3.3V or 5.0V. Video can be 3.3V or 5.0V. Flat Panel can be 3.3V only. AGP can be 1.5V (4x transfer mode) or 3.3V (2x transfer mode).

### DC Characteristics

T<sub>C</sub> = 0-85°C, V<sub>RAIL</sub> = V<sub>CC</sub> ±5%, V<sub>CORE</sub> = 2.5V ±5%, GND=0V

**Table 23. DC Characteristics**

Symbol	Parameter	Min	Max	Unit	Condition
V <sub>IL</sub>	Input Low Voltage	-0.50	0.8	V	
V <sub>IH</sub>	Input High Voltage	2.0	V <sub>CC</sub> +0.5	V	
V <sub>OL</sub>	Output Low Voltage	-	0.55	V	I <sub>OL</sub> = 4.0mA
V <sub>OH</sub>	Output High Voltage	2.4	-	V	I <sub>OH</sub> = -1.0mA
I <sub>IL</sub>	Input Leakage Current	-	±10	uA	0 < V <sub>IN</sub> < V <sub>CC</sub>
I <sub>OZ</sub>	Tristate Leakage Current	-	±20	uA	0.55 < V <sub>OUT</sub> < V <sub>CC</sub>

### AC Timing Specifications

AC timing specifications provided are based on external zero-pf capacitance load. Min/max cases are based on the following table:

**Table 24. AC Timing Min / Max Conditions**

Parameter	Min	Max	Unit
5.0V Power	4.75	5.25	Volts
3.3V Power (I/O Pads, VCCQ for 2x transfer mode)	3.135	3.465	Volts
2.5V Power (Internal Logic)	2.375	2.625	Volts
1.5V Power (VCCQ for 4x transfer mode)	1.425	1.575	Volts
Case Temperature	0	85	°C

# MECHANICAL SPECIFICATIONS

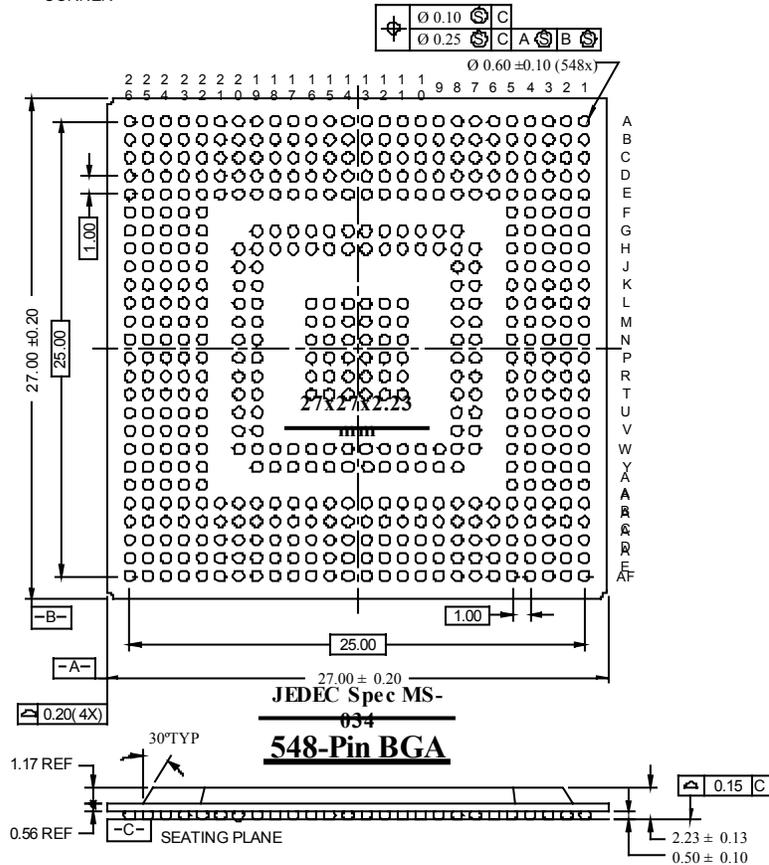
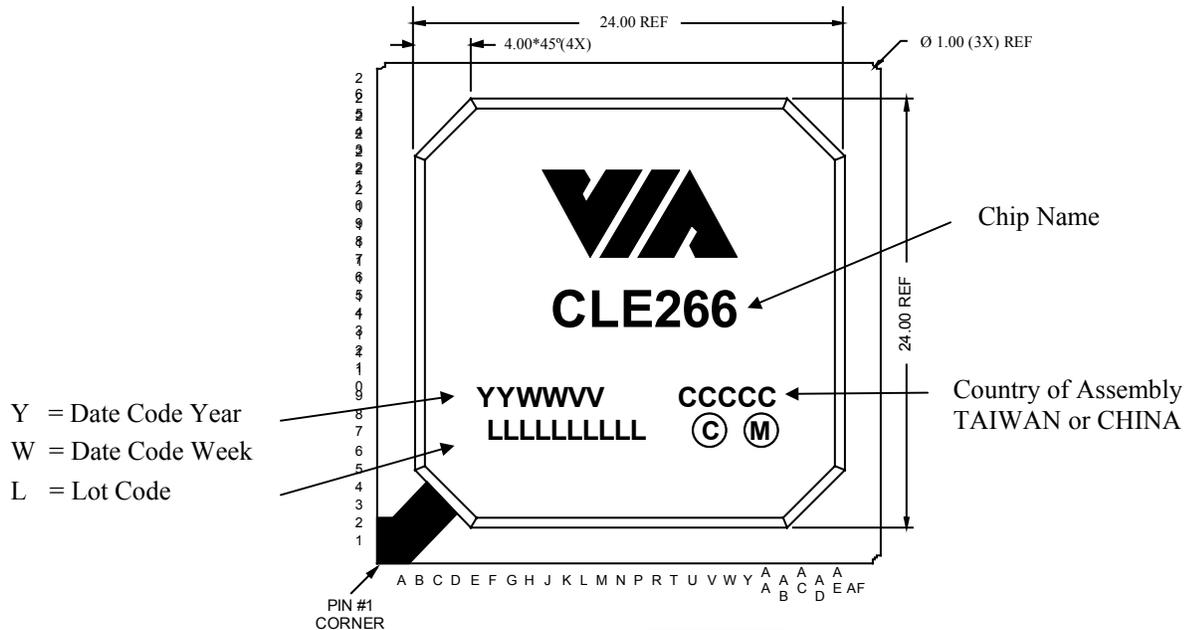


Figure 5. Mechanical Specifications – 548-Pin 27x27mm Ball Grid Array Package with 1mm Ball Pitch

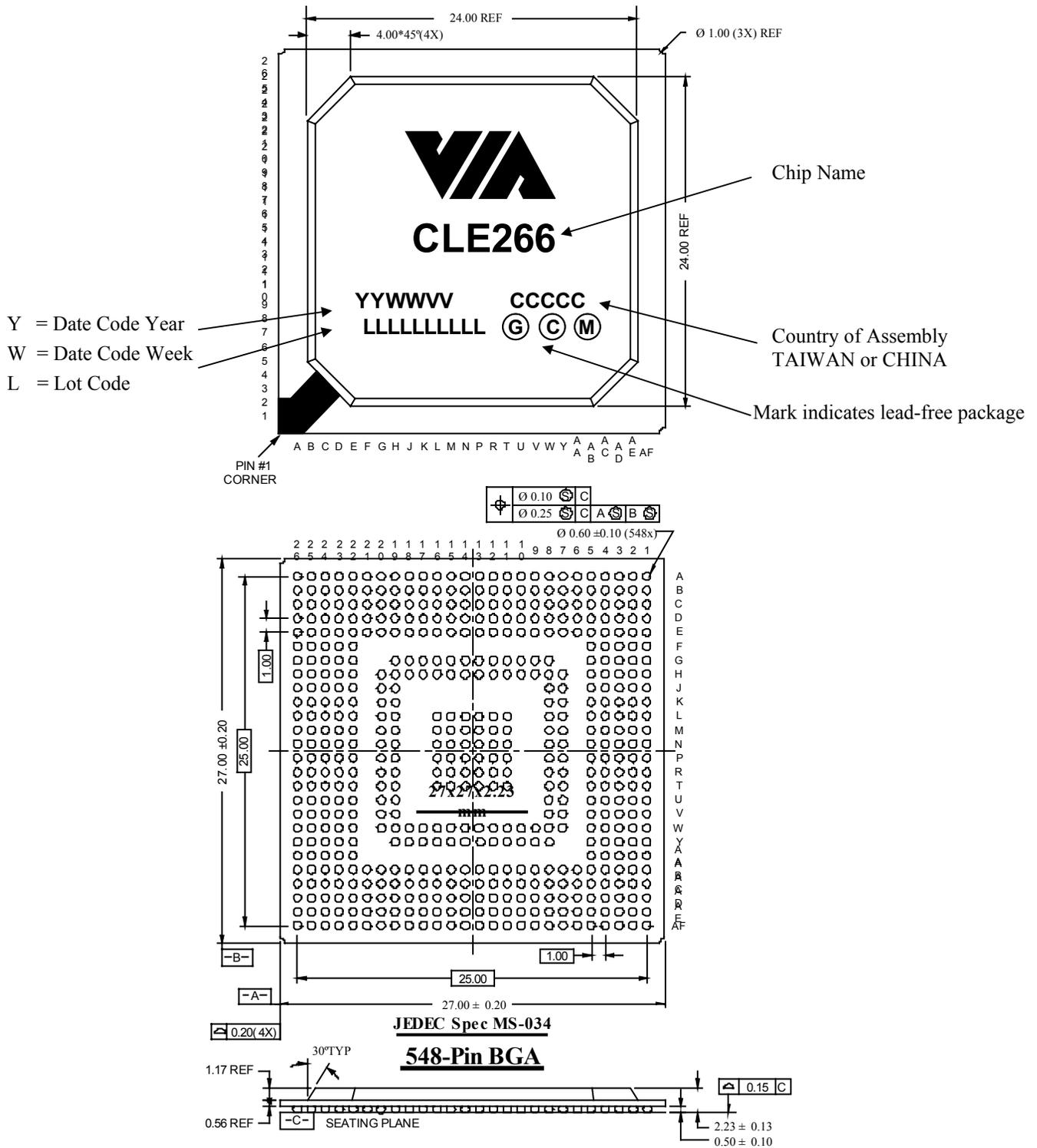


Figure 6. Lead-Free Mechanical Specifications – 548-Pin 27x27mm Ball Grid Array Package with 1mm Ball Pitch