



# 82C452



Super VGA  
Graphics Controller

Data Sheet

September 1991

P R E L I M I N A R Y



**CHIPS**<sup>®</sup>

### **Copyright Notice**

Copyright © 1990, Chips and Technologies, Inc. ALL RIGHTS RESERVED.

This manual is copyrighted by Chips and Technologies, Inc. You may not reproduce, transmit, transcribe, store in a retrieval system, or translate into any language or computer language, in any form or by any means, electronic, mechanical, magnetic, optical, chemical, manual, or otherwise, any part of this publication without the express written permission of Chips and Technologies, Inc.

### **Restricted Rights Legend**

Use, duplication, or disclosure by the Government is subject to restrictions set forth in subparagraph (c)(1)(ii) of the Rights in Technical Data and Computer Software clause at 252.277-7013.

### **Trademark Acknowledgement**

CHIPS and NEAT are registered trademarks of Chips and Technologies, Inc.

CHIPS, CHIPSset, MICROCHIPS, SCAT, NEATsx, LeAPSet, LeAPSetsx, PEAK, CHIPS/230, CHIPS/250, CHIPS/280, CHIPS/450, CHIPSPak, CHIPSPort, CHIPSlink, and SMARTMAP are trademarks of Chips and Technologies, Incorporated.

IBM AT, XT, PS/2, Micro Channel, Personal System/2, Enhanced Graphics Adapter, Color Graphics Adapter, Video Graphics Adapter, IBM Color Display, and IBM Monochrome Display are trademarks of International Business Machines.

Hercules is a trademark of Hercules Computer Technology.

MS-DOS is a trademark of Microsoft, Incorporated.

MultiSync is a trademark of Nippon Electric Company (NEC).

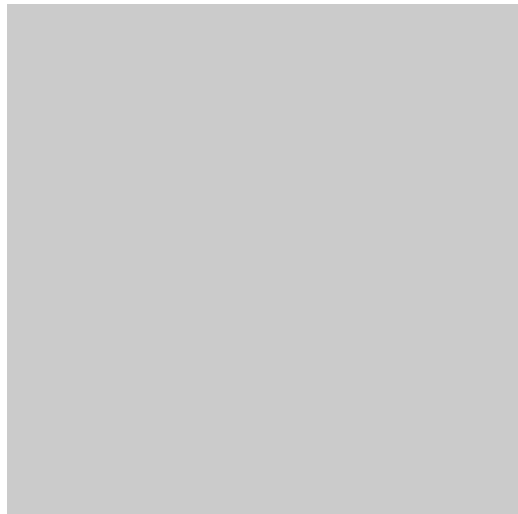
Brooktree and RAMDAC are trademarks of Brooktree Corporation.

Inmos is a trademark of Inmos Corporation.

### **Disclaimer**

This document is provided for the general information of the customer. Chips and Technologies, Inc., reserves the right to modify the information contained herein as necessary and the customer should ensure that it has the most recent revision of the data sheet. CHIPS makes no warranty for the use of its products and bears no responsibility for any errors which may appear in this document. The customer should be on notice that the field of personal computers is the subject of many patents held by different parties. Customers should ensure that they take appropriate action so that their use of the products does not infringe upon any patents. It is the policy of Chips and Technologies, Inc. to respect the valid patent rights of third parties and not to infringe upon or assist others to infringe upon such rights.

REVIEW COPY  
ONLY  
DO NOT  
REPRODUCE

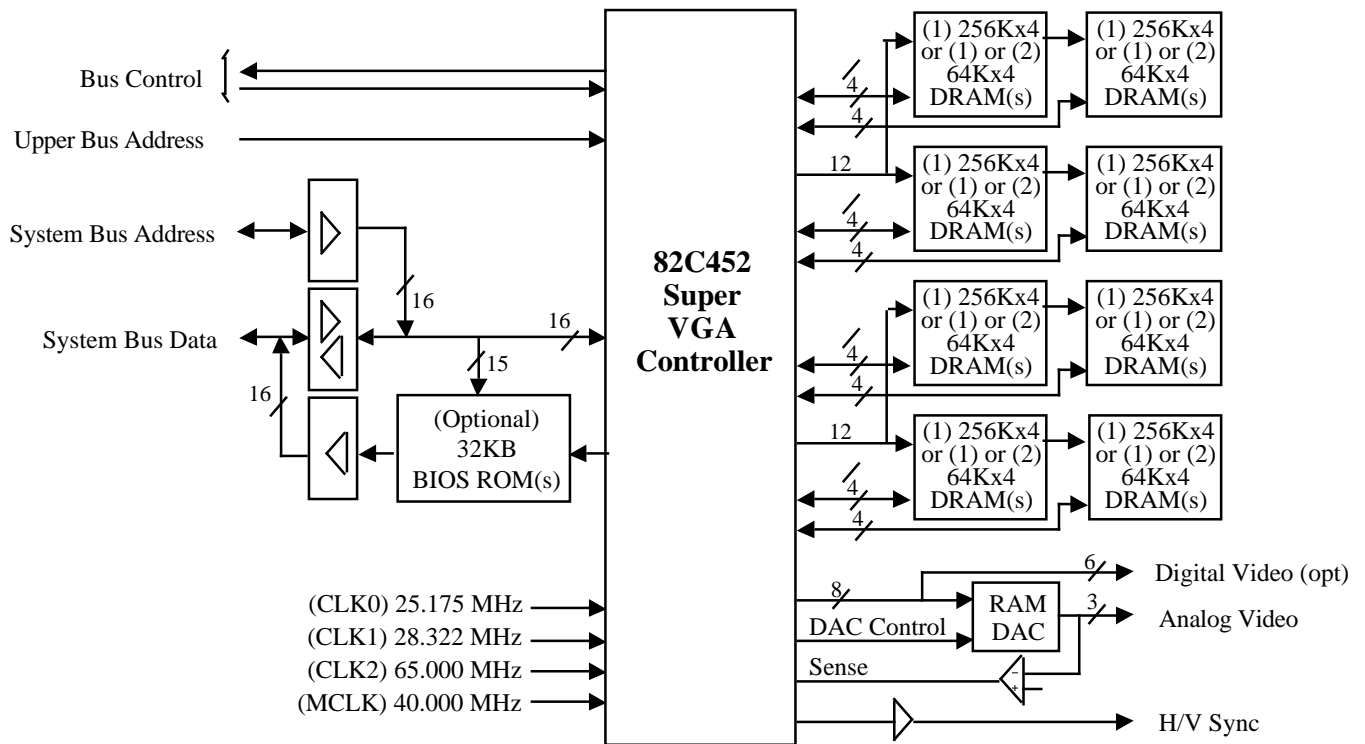


Chips and Technologies, Inc.  
3050 Zanker Road  
San Jose, California 95134  
Phone: 408-434-0600  
Telex: 272929 CHIPS UR  
FAX: 408-434-6452

Publication No.: DS82  
Stock No.: 010452-002  
Revision No.: 2.1

# 82C452 Super VGA Graphics Controller

- Supports maximum resolution of 1024x768 in 16 colors (non-interlaced)
- Fully compatible with IBM 8514 Standard at Adapter Interface (AI) level
- Fully Compatible with IBM™ VGA at hardware, register, and BIOS level
- Enhanced backward compatibility with EGA, CGA, Hercules™, and MDA without using NMIs
- Dual Bus Architecture, Integrated Interface to EISA/ISA (PC/AT) and MCA bus (CHIPS/250 and CHIPS/280)
- Highly integrated design resulting in lower chip count. Total of 15 chips required for a VGA implementation including memory
- Supports anti-aliased fonts
- On-chip hardware graphics cursor for high performance and improved user interface quality
- Single Chip Solution. Small low-cost package: 144-pin flat pack
- High performance resulting from 16-bit bus interface and intelligent memory arbitration
- Supports up to 1 megabyte of display memory
- Supports high performance Fast Page Mode DRAMs
- Supports Digital and Analog Monitors
- External palette DAC support for up to 16 million colors
- Standard part supports 65 MHz video clock rate (50 MHz version also available)
- Full complement of applications software drivers available from Chips and Technologies



**82C452 System Diagram**

## Revision History

<u>Revision</u>	<u>Date</u>	<u>By</u>	<u>Comment</u>
0.8	05/8/90	DH	Conversion to Chips Standard Data Sheet Format (CSDSF)
1.0	05/18/90	VS	Included Memory and Clock Interface Diagrams
1.1	05/31/90	DP	Updated Timings based on latest characterization data
1.2	06/19/90	DP	Edits (VS, DH, RR and GT )
2.1	08/90	ST	Initial Release

## Table of Contents

<u>Section</u>	<u>Page</u>	<u>Section</u>	<u>Page</u>
Introduction .....	5	Functional Description.....	89
CPU Interface.....	5	CPU Interface - EISA/ISA Bus.....	89
BIOS ROM Interface.....	5	8-Bit Interface.....	90
Extension Registers .....	5	16-Bit Interface .....	92
Configuration Switches.....	5	CPU Interface - MCA Bus .....	94
Multiple VGAs.....	5	Setup and Enable Modes.....	96
Display Memory Interface .....	5	Enabling Extension Registers .....	96
Clock Selection .....	6	DIP Switch Interface .....	97
General Purpose Outputs .....	6	Multiple VGAs.....	97
Feature Control Bits.....	6	Display Memory Interface .....	98
External Color Palette .....	6	Display Modes and Resolution.....	101
Graphics Cursor.....	6	Antialiased Fonts .....	101
Frame Interrupts .....	6	Extended Text Mode .....	101
Package.....	6	High Resolution Video.....	102
Video Subsystem Chip Count.....	7	Video Interface.....	103
Pinouts .....	8	Screen Blanking .....	103
Pin Diagram .....	8	Monitor Type Detection.....	103
Pin Descriptions - System Bus Interface.....	9	Clock Interface.....	103
Pin Descriptions - Display Memory .....	12	Graphics Cursor .....	107
Pin Descriptions - Video Interface.....	14	Special Write Modes .....	108
Pin Descriptions - Clock, Power & Ground	15	Frame Interrupts .....	108
Register and Port Address Summaries.....	16	Compatibility.....	109
CGA, MDA, and Hercules Registers .....	16	VGA Register Write Protection .....	109
EGA Registers .....	16	Alternate Display Parameter Register Sets... ..	109
VGA Registers.....	16	Compatibility Mode Programming .....	110
EGA/VGA Indexed Registers.....	17	VGA Mode .....	110
Extension Registers .....	18	EGA Mode .....	110
Register Descriptions .....	21	CGA Mode .....	110
Global Control (Setup) Registers.....	23	MDA Mode.....	110
General Control and Status.....	25	Hercules Mode.....	110
CGA / Hercules.....	27	Auto Emulation Traps.....	111
Sequencer Registers.....	31	Light Pen Registers .....	111
CRT Controller Registers.....	35	Electrical Specifications.....	112
Graphics Controller .....	51	Absolute Maximum Conditions.....	112
Attribute Controller Registers.....	59	Operating Conditions.....	112
Extension Registers .....	65	Electrical Specifications.....	112
		AC Electrical Specs - Clock Timing.....	113
		AC Electrical Specs - Reset Timing .....	113
		AC Electrical Specs - AD Bus Mux Timing .....	113
		AC Electrical Specs - EISA/ISA Timing....	115
		AC Electrical Specs - MCA Bus Timing.....	117
		AC Electrical Specs - DRAM Timing .....	120
		AC Electrical Specs - Video Timing.....	125
		Mechanical Specifications.....	126

## List of Figures and Tables

<u>Figure</u>	<u>Page</u>	<u>Table</u>	<u>Page</u>
System Diagram .....	1	82C452 Pin Usage Summary.....	6
82C452 Pinouts .....	8	Minimum Video Subsystem Chip Count .....	7
Block Diagram - 8-bit EISA/ISA Bus Interface .....	89	Register Summary - CGA/MDA/Hercules ....	16
Block Diagram - 16-bit EISA/ISA Bus (8bit ROM) .....	90	Register Summary - EGA Mode.....	16
Block Diagram - 16-bit EISA/ISA Bus (16bit ROM).....	91	Register Summary - VGA Mode .....	16
Block Diagram - ROM Paging .....	93	Register Summary - Indexed Registers.....	17
Block Diagram - 16-Bit Bios (32 X 8 Rom)	93	Register Summary - Extension Registers.....	18
Block Diagram - POS ID Interface.....	94	Global Control (Setup) Registers.....	23
Block Diagram - 16bit MCA Interface.....	92	General Control and Status Registers.....	25
Block Diagram - DIP Switch Interface (EISA/ISA).....	97	CGA/MDA/Hercules Registers .....	27
Block Diagram - DIP Switch Interface (MCA)	97	Sequencer Registers.....	31
Block Diagram - DRAM Interface - 256KB ...	98	CRT Controller Registers .....	35
Block Diagram - DRAM Interface - 512KB ...	99	Write Protect Register Grouping .....	49
Block Diagram - DRAM Interface - 1MB.....	100	Graphics Controller Registers .....	51
Block Diagram - Video Interface - Inmos.....	103	Attribute Controller and Color Palette Registers.....	59
Block Diagram - Video Interface - Brooktree..	103	Extension Registers .....	65
Block Diagram - Monitor Type Detection.....	103	Absolute Maximum Conditions.....	112
Block Diagram - Super High Res Video .....	104	Normal Operating Conditions.....	112
Block Diagram - Ultra High Res Video .....	104	DC Characteristic .....	112
Block Diagram - Clock Circuit - Minimum ...	105	AC Characteristics - Clock Timing.....	113
Block Diagram - Clock Circuit - Typical.....	105	AC Characteristics - Reset Timing .....	113
Block Diagram - Clock Circuit - Dig. Monitor.	106	AC Characteristics - AD Bus Mux Timing ....	114
Block Diagram - Clock Circuit - Clock Chip .	106	AC Characteristics - EISA/ISA Bus Timing ...	115
Clock Timing .....	113	AC Characteristics - MCA Bus Timing.....	117
AD Bus Multiplexer Timing.....	114	AC Characteristics - DRAM Timing .....	130
EISA/ISA Bus I/O Cycle Timing.....	115	AC Characteristics - Video Timing.....	125
EISA/ISA Bus Memory Cycle Timing.....	116		
MCA Bus I/O Cycle Timing .....	116		
MCA Bus Memory Cycle Timing .....	117		
DRAM Read/Write Cycle Timing .....	130		
DRAM Refresh Cycle Timing .....	121		
DRAM Page Mode Cycle Timing .....	122		
Video Timing .....	125		
PF-P-144 Package Mechanical Dimensions.....	126		

## Introduction

The 82C452 is Super VGA™ controller of the CHIPS 45x product family. It is 100% compatible to IBM™'s VGA standard at the Gate, hardware, register, and BIOS level. It also offers enhanced backward compatibility to EGA™, CGA™, Hercules™ and MDA™ standards without using NMIs.

The 82C452 Super VGA offers higher resolution and higher performance. The 82C452 has incorporated a high performance memory interface for fast CPU accesses into display memory. It includes a Hardware Graphics Cursor to reduce the CPU overhead in Windows™ like environments. The 82C452 also supports up to 1 MByte of display memory. The 82C452 Super VGA supports 640x480 256 colors and up to 1024x768 16 colors with the 65 Mhz option (non-interlaced). The 82C452 is also available in a 50Mhz version.

### EXTENSION REGISTERS

The capabilities of the 82C452 beyond the standard VGA are controlled via a set of 'extension' registers. All functionality of these extension registers is disabled on reset. Before the extension registers can be written to, they must be enabled by two sets of control bits (disabled on reset). None of the unused bits in the regular VGA registers are used for extensions.

### CPU INTERFACE

The 82C452 provides a strap option to select operation in either EISA/ISA (PC/AT) bus or MCA (Microchannel) bus systems. All control signals for both interface types are integrated onto the single VGA chip.

The 82C452 supports both 8-bit and 16-bit CPU interfaces to I/O, display memory, and/or BIOS ROM.

### BIOS ROM INTERFACE

In EISA/ISA (PC/AT) Bus systems, the 82C452 supports an 8-bit BIOS with one external BIOS ROM chip. The ROM address is internally decoded and the transceivers are enabled directly by the 82C452. The 82C452 implements a ROM chip select (ROMCS/) pin to enable the ROM.

A 16-bit BIOS ROM could be implemented with the 82C452 using two BIOS ROM chips, an external

PAL, and a 74LS244 buffer. However, a higher-performance and lower-cost video system will result from implementation of an 8-bit BIOS ROM which is copied into system RAM by the system BIOS on startup.

For motherboard EISA/ISA-bus implementations, the video BIOS may alternately be incorporated directly into the system BIOS. In Microchannel-based systems, the video BIOS is always included in the system BIOS.

### CONFIGURATION SWITCHES

The 82C452 supports up to 7 external DIP switches. These switches are multiplexed on input pins BHE/, RFSH/ (EISA/ISA) or DISA/ (MCA), AEN (EISA/ISA) or MIO/ (MCA), A16, A17, A18, and ADDHI. Two buffers (LS244s) are required to support this feature. The DIP switch state is read into an internal CPU accessible register when the command strobe (IORD/ or CMD/) is low.

### MULTIPLE VGAs

It is possible to support up to sixteen 82C452s in one system. Each 82C452 must have a unique number assigned to it through the above mentioned DIP switches. All 82C452s occupy the same memory and I/O address space. However, only one 82C452 responds to CPU accesses at a time. The currently active 82C452 is selected by writing an ID number for that 82C452 into the internal Extended Enable Register for all 82C452s. Only the 82C452 which has the same number on its DIP switches will respond to further CPU accesses.

### DISPLAY MEMORY INTERFACE

The 82C452 supports three display memory configurations:

- 1) Eight 64Kx4 DRAM devices (256Kbytes)
- 2) Sixteen 64Kx4 DRAM devices (512Kbytes)
- 3) Eight 256Kx4 DRAM devices (1Mbyte)

Implementing an 82C452 Video Subsystem with 256K Bytes results in a cost-efficient system which can support all VGA-standard modes. Implementing 512K or 1M Bytes allows support of higher-resolution modes such as 640x480x256-color and 1024x768x16-color modes.

Display memory control signals are derived from the memory clock (MCLK) input. The 82C452



supports a high-speed page mode DRAM interface (Fast Page Cycles). Fast page mode cycles provide higher performance than regular cycles specifically at high resolution modes.

### CLOCK SELECTION

The 82C452 provides separate inputs for dotclock selections 0, 1, and 2 (called CLK0, CLK1, and CLK2) which are normally selected by Misc Output Register bits 2 and 3. By default, CLK0 and CLK1 are inputs which must be connected to 25.175 MHz and 28.322 MHz for implementation of standard VGA capabilities. The MCLK input provides the memory clock (normally 40.000 MHz). If desired, extended capabilities may be implemented, such as 1024x768 non-interlaced sixteen-color graphics mode, by connecting a 65.000 MHz oscillator to CLK2. The 82C452 internally selects between these inputs and no additional circuitry is required.

### GENERAL PURPOSE OUTPUTS

The 82C452 supports four general purpose output pins. In the 82C452, the TRAP/, ERMEN/, CRSR0, and CRSR1 pins can be defined to serve the respective functions or can individually be 3-stated, forced low or forced high through the General Purpose Output registers. The 82C452 general purpose outputs are defined further in following sections.

Using the default video feature and general output pins, it is possible to have up to 32 general outputs. This can be achieved by forcing the video outputs to a predefined state using the Default Video Register. The video output state then can be latched externally by using the General purpose output pins.

### FEATURE CONTROL BITS

As in IBM's VGA, the 82C452 provides 2 inputs and outputs for the feature connector. The contents of bits 0 and 1 of the Feature Control Register are output on the FCOU0/ and FCOU1/ pins. The state of input pins FCIN0 and FCIN1 can be read by the CPU at bits 5 and 6 of the Input Status Register 0.

### GRAPHICS CURSOR

The 82C452 supports a 32 pixel wide and 512 pixel high graphics cursor. The cursor can be placed anywhere on the screen at pixel resolution. The cursor can also be made transparent. The Hardware cursor frees up CPU from managing the cursor in a Windows-like environment. This effectively improves performance.

### FRAME INTERRUPTS

The 82C452 supports frame interrupts on variable numbers of frames 1 through 32.

### EXTERNAL COLOR PALETTE

The 82C452 supports the programming of an external color palette DAC (RAMDAC™) by decoding the CPU addresses and generating the READ and WRITE signals for the external palette.

Inmos™, Brooktree™-style RAMDACs or compatible RAMDAC's may be used. The 82C452 normally decodes 3C6-3C9 port addresses for the RAMDAC, but may be configured to additionally decode 83C6-83C9 port addresses for the Brooktree RAMDAC extension registers.

Normally, each RAMDAC analog output provides 6-bit resolution (64 shades of color on each of the analog R, G, and B outputs). If 8-bit-per-color mode is desired for the DAC (e.g., if using Inmos IMMSG178 or Brooktree BT478 RAMDACs which provide 256 shades of color on each RGB output), the DAC 6/8-bit mode pin may be controlled via logic external to the 82C452.

### PACKAGE

The 82C452 is available in a 144-pin plastic flat pack (PFP). Complete descriptions of all 82C452 pins are included in this document. The pins are separated into the following logical groups for discussion: Bus Interface, Display memory, Video, Clock, Power, and Ground.

#### 82C452 Pin Usage Summary

Bus Interface:	41
Display Memory:	58
Video:	21
Clock:	4
Power:	8
Ground:	12
Total:	144

**VIDEO SUBSYSTEM CHIP COUNT**

Using the 82C452, a complete VGA-compatible 16-bit video subsystem for motherboard applications can be built with 15 ICs, including display memory, as shown in the following bill of materials table:

<u>Qty</u>	<u>Chip type</u>
1	82C452 VGA Chip
1	BT475 or BT477 RAMDAC
2	74LS245 Transceiver
2	74LS244 Buffer
1	74LS125 Buffer
8	<u>64Kx4 or 256Kx4 DRAMs</u>
15	Total

Additional components required are 25.175, 28.322, and 40.000 MHz oscillators, 15-pin video connector, and various resistors and capacitors.

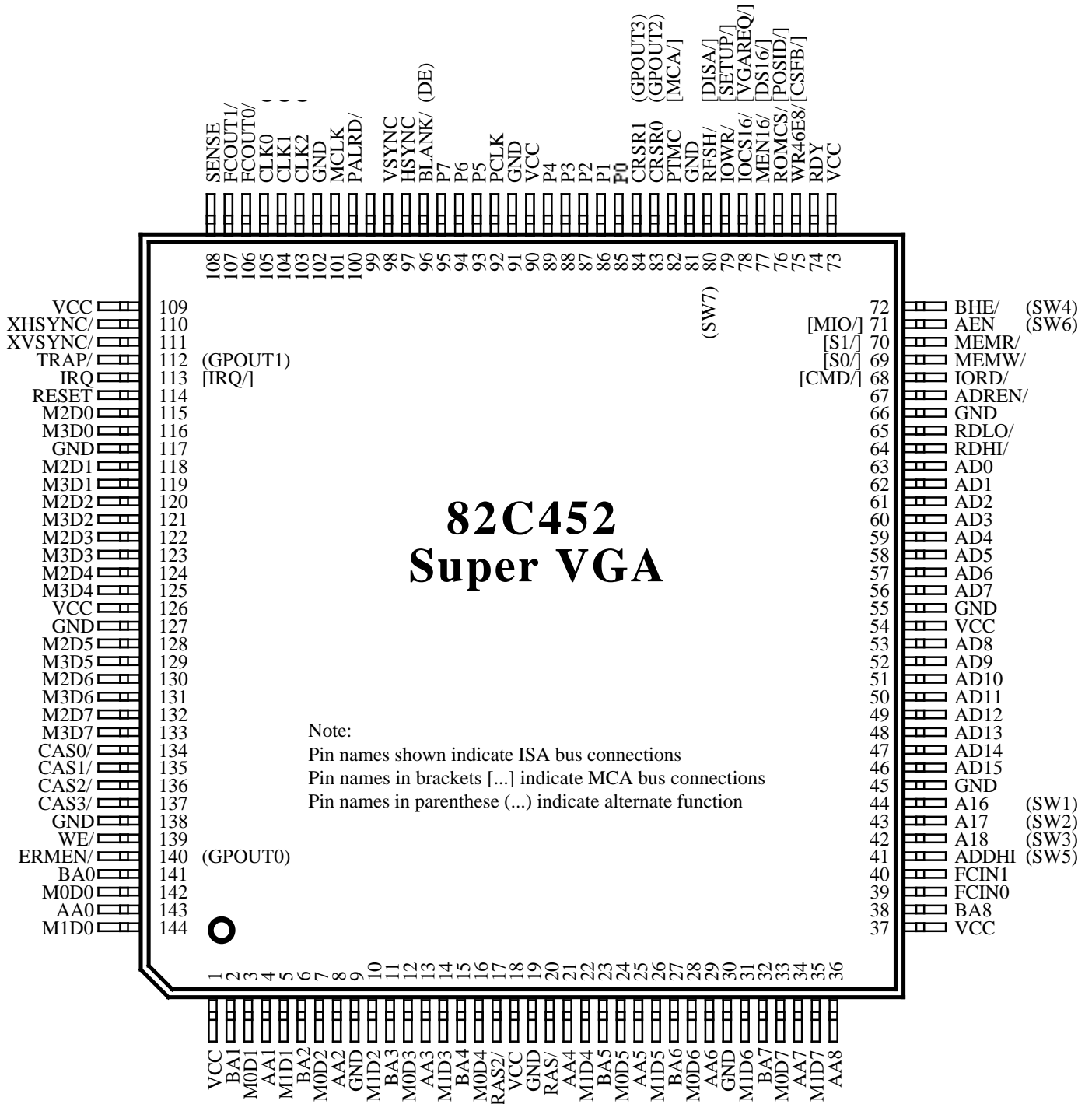
For add-in EISA/ISA-bus boards, two additional 27256 (32Kx8) BIOS ROMs and two LS244 buffers are required.

Support for 1024x768 non-interlaced 16-color graphics mode would require one additional 65 MHz oscillator.

If Inmos RAMDACs or Brooktree 471/476 RAMDACs are used, then an additional LM339 comparator, LM334 Current reference, and 1N4148 diode are required (the BT475 and BT477 RAMDACs shown in the bill of materials table above incorporate the comparator and reference functions on-chip). The RAMDAC speed requirements should be compatible with the highest dotclock frequency used.

To implement digital monitor support, the additional components required would be a 16.257 MHz oscillator, 6-position dipswitch, two TTL multiplexer ICs, and a 9-pin connector.

# 82C452 Pinouts



**82C452 Pinouts**

**82C452 PIN DESCRIPTIONS**
**System Bus Interface**

Pin #	Pin Name	Type	Active	Description
41	ADDHI (SW5)	In	High	Multiplexed memory address enable and auxiliary data bus. High order memory address enable (decoded A19-A23) when ADREN/ is low. This bit is read into bit 4 of the Internal Switch Register (XR01) when the Switch Register is accessed by the CPU and ADREN/ is high. Address latched internally. Defines the current memory address as a valid address for 82C452. Ignored for I/O cycles.
42	A18 (SW3)	In	High	Multiplexed upper address and auxiliary data bus. High order address when ADREN/ is low. These bits are read into bits 0-2 of the Internal Switch Register (XR01) when the Switch Register is accessed by the CPU and ADREN/ is high. In the MCA bus, address and status are latched internally on the leading edge of CMD/.
43	A17 (SW2)	In	High	
44	A16 (SW1)	In	High	
46	AD15	I/O	High	System upper multiplexed address and data bus. Address when ADREN/ is low and data when ADREN/ is high. In the MCA bus, the address is latched internally on the leading edge of CMD/.
47	AD14	I/O	High	
48	AD13	I/O	High	
49	AD12	I/O	High	
50	AD11	I/O	High	
51	AD10	I/O	High	
52	AD9	I/O	High	
53	AD8	I/O	High	
56	AD7	I/O	High	System lower multiplexed address and data bus. Address when ADREN/ is low and data when ADREN/ is high. In the MCA bus, address is latched internally on the leading edge of CMD/.
57	AD6	I/O	High	
58	AD5	I/O	High	
59	AD4	I/O	High	
60	AD3	I/O	High	
61	AD2	I/O	High	
62	AD1	I/O	High	
63	AD0	I/O	High	
67	ADREN/	Out	Low	Controls multiplexing of external address/data multiplexers. 0=Enable address, 1=Enable Data.
64	RDHI/	Out	Low	Data transceiver direction controls. Control direction of external data transceivers for the AD bus. 0: read from 82C452, 1: write to 82C452. Enable for the transceiver is externally generated by inverting ADREN/.
65	RDLO/	Out	Low	
72	BHE/ (SW4)	In	Low	Multiplexed Byte High Enable and auxiliary data bit. BHE/ when ADREN/ is low. BHE/ low indicates that the high order byte at the current word address is being accessed. This bit is read into bit 3 of Internal Switch Register (XR01) when the Switch register is accessed by the CPU and CMD/ (or I/O or memory strobe) is low. Status latched internally on falling edge of CMD/ (or I/O or memory strobe).

Note: Pin names in brackets [...] indicate MCA bus functionality if different from EISA/ISA (PC/AT) bus

## 82C452 PIN DESCRIPTIONS

## System Bus Interface (continued)

Pin #	Pin Name	Type	Active	Description															
114	RESET	In	High	Reset. Connect directly to the bus reset signal.															
68	IORD/ [CMD/]	In	Low	In EISA/ISA interface, indicates I/O Read Cycle. In MCA interface, indicates beginning of a command part of a bus cycle. Driven off CMD/ on MCA, VGACMD/ on CHIPS/250.															
79	IOWR/ [SETUP/]	In	Low	In EISA/ISA interface, indicates I/O Write Cycle. In MCA interface, indicates that the configuration register at 100-107 should be enabled. All other memory and I/O functions are disabled.															
70	MEMR/ [S1/]	In	Low	In EISA/ISA interface, indicates Memory Read cycle. In MCA interface, indicates Status 1.															
69	MEMW/ [S0/]	In	Low	In EISA/ISA interface, indicates Memory Write cycle. In MCA interface, indicates Status 0.															
				<table border="1"> <thead> <tr> <th>S1/</th> <th>S0/</th> <th>Operation</th> </tr> </thead> <tbody> <tr> <td>0</td> <td>0</td> <td>Undefined</td> </tr> <tr> <td>0</td> <td>1</td> <td>Read</td> </tr> <tr> <td>1</td> <td>0</td> <td>Write</td> </tr> <tr> <td>1</td> <td>1</td> <td>Undefined</td> </tr> </tbody> </table>	S1/	S0/	Operation	0	0	Undefined	0	1	Read	1	0	Write	1	1	Undefined
S1/	S0/	Operation																	
0	0	Undefined																	
0	1	Read																	
1	0	Write																	
1	1	Undefined																	
71	AEN [MIO/] (SW6)	In	Both	In EISA/ISA interface, defines valid I/O address: 0 = valid I/O address, 1 = Invalid I/O address (latched internally). In MCA interface, indicates memory or I/O cycle: 1 = memory, 0 = I/O. Latched internally. When ADREN/ is high, this bit is read into bit 5 of the Internal Switch register (XR01) when the Switch register is accessed by the CPU.															
80	RFSH/ [DISA/] (SW7)	In	Low	This pin is an active low signal which disables memory and I/O cycles in both PC and MCA systems (when this pin is low, display memory and I/O registers are not accessible). In PC bus systems, this pin is connected to the bus refresh pin (low indicates a memory refresh cycle to which the 82C452 should not respond). In MCA systems, this pin is connected to the VGA DISABLE/ signal). When ADREN/ is high, this bit is read into bit 6 of Internal Switch Register (XR01) when the Switch Register is accessed by the CPU.															
82	PTMC [MCA/]	In	Both	Indicates the type of CPU interface: 0 = MCA, 1 = EISA/ISA (PC).															

Note: Pin names in brackets [...] indicate MCA bus functionality if different from EISA/ISA (PC/AT) bus

**82C452 PIN DESCRIPTIONS**
**System Bus Interface (continued)**

<b>Pin #</b>	<b>Pin Name</b>	<b>Type</b>	<b>Active</b>	<b>Description</b>
74	RDY	Out	High	Ready. Driven low to indicate that current cycle should be extended with wait states. Driven high at end of cycle to indicate 'ready' then 3-stated.
113	IRQ [IRQ/]	Out	Both	Frame Interrupt Output. Interrupt polarity is programmable. Set when interrupt on VSYNC is enabled. Cleared by reprogramming register 11h in the CRT Controller. (EISA/ISA-Bus interrupts are active high, MCA bus interrupts are active low). See also XR14 bit-7.
78	IOCS16/ [VGAREQ/]	Out	Low	In PC-Bus interface systems, this output is an active low signal indicating a valid 16-bit I/O cycle. In MCA interface systems, this output is an active low signal indicating that a FAST cycle can be executed (this can be disabled through a register).
77	MEN16/ [DS16/]	Out	Low	Indicates 16-bit memory cycle in PC-Bus interface systems. Indicates 16-bit memory and I/O cycles in MCA interface systems. In PC Bus interface systems this signal is a DC level which is low when 16-bit interface is enabled and high when 16-bit interface is disabled.
75	WR46E8/ [CSFB/]	Out	Low	In PC-BUS interface systems, active low for I/O writes to port 46E8h. In MCA Interface systems, indicates any valid access to 82C452.
112	TRAP/ (GPOUT1)	Out	Low	Indicates trap condition requiring special CPU assistance. Can be redefined as a general purpose output pin.
100	PALRD/	Out	Low	Connected to the Read input of the Palette DAC (G176, BT471, or compatible). Asserted when the 82C452 is enabled and an I/O Read occurs from addresses 3C6h, 3C8h, or 3C9h (or 83C6h-83C9h if enabled). (The 82C452 responds directly for accesses to 3C7h).
99	PALWR/	Out	Low	Connected to the Write input of the Palette DAC (G176, BT471, or compatible). Asserted when the 82C452 is enabled and an I/O Write occurs to addresses 3C6-3C9h (or 83C6h-83C9h if enabled).
76	ROMCS/ [POSID/]	Out	Low	Indicates access to ROM space in PC-Bus interface systems. Indicates access to POS ID registers (address 100, 101, and SETUP/ low) in MCA interface systems.

Note: Pin names in brackets [...] indicate MCA bus functionality if different from EISA/ISA (PC/AT) bus

## 82C452 PIN DESCRIPTIONS

## Display Memory Interface

Pin #	Pin Name	Type	Active	Description
36	AA8	Out	High	DRAM address bus for planes 0-1. (Note: AA8 is a no-connect on the 82C451).
34	AA7	Out	High	
29	AA6	Out	High	
25	AA5	Out	High	
21	AA4	Out	High	
13	AA3	Out	High	
8	AA2	Out	High	
4	AA1	Out	High	
143	AA0	Out	High	
38	BA8	Out	High	DRAM address bus for planes 2-3. (Note: BA8 is a no-connect on the 82C451).
32	BA7	Out	High	
27	BA6	Out	High	
23	BA5	Out	High	
15	BA4	Out	High	
11	BA3	Out	High	
6	BA2	Out	High	
2	BA1	Out	High	
141	BA0	Out	High	
139	WE/	Out	Low	Write enable for all memory banks/planes
20	RAS/	Out	Low	Row address strobe for memory bank 0 (all display memory in 256KB and 1MB mode, first 256KB of display memory in 512KB mode).
17	RAS2/	Out	Low	Row address strobe for memory bank 1 (second 256KB of display memory) in 512KB mode (unused in 256KB and 1MB modes; no connect in the 82C451).
134	CAS0/	Out	Low	Column address strobes for memory planes 0-3.
135	CAS1/	Out	Low	
136	CAS2/	Out	Low	
137	CAS3/	Out	Low	
140	ERMEN/ (GPOUT0)	Out	Low	Indicates CRT memory cycle (High) or CPU memory cycle (low). Can be redefined as a general purpose output pin.

## 82C452 PIN DESCRIPTIONS

## Display Memory Interface

Pin #	Pin Name	Type	Active	Description
33	M0D7	I/O	High	DRAM address bus for planes 0
28	M0D6	I/O	High	
24	M0D5	I/O	High	
16	M0D4	I/O	High	
12	M0D3	I/O	High	
7	M0D2	I/O	High	
3	M0D1	I/O	High	
142	M0D0	I/O	High	
35	M1D7	I/O	High	DRAM data bus for plane 1
31	M1D6	I/O	High	
26	M1D5	I/O	High	
22	M1D4	I/O	High	
14	M1D3	I/O	High	
10	M1D2	I/O	High	
5	M1D1	I/O	High	
144	M1D0	I/O	High	
132	M2D7	I/O	High	DRAM data bus for plane 2
130	M2D6	I/O	High	
128	M2D5	I/O	High	
124	M2D4	I/O	High	
122	M2D3	I/O	High	
120	M2D2	I/O	High	
118	M2D1	I/O	High	
115	M2D0	I/O	High	
133	M3D7	I/O	High	DRAM data bus for plane 3
131	M3D6	I/O	High	
129	M3D5	I/O	High	
125	M3D4	I/O	High	
123	M3D3	I/O	High	
121	M3D2	I/O	High	
119	M3D1	I/O	High	
116	M3D0	I/O	High	



**82C452 PIN DESCRIPTIONS**
**Video Interface**

Pin #	Pin Name	Type	Active	Description
95	P7	Out	High	8-bit video pixel output
94	P6	Out	High	
93	P5	Out	High	
89	P4	Out	High	
88	P3	Out	High	
87	P2	Out	High	
86	P1	Out	High	
85	P0	Out	High	
92	PCLK	Out	High	Video Pixel Clock. Video data is synchronized to this clock.
96	BLANK/ (DE)	Out	Both	Blanking signal (active low) for external palette DAC. May be redefined under software control as active high DE (Display Enable).
97	HSYNC	Out	Both	Horizontal and vertical sync signals for the CRT (polarity is programmable).
98	VSYNC	Out	Both	
110	XHSYNC/	In	Low	External Sync inputs. 0: Horizontal and vertical counters should be preset to predefined values. 1: Horizontal and Vertical Counters should be free running. (Note: In the 82C451, these pins should be pulled high through 10K resistors).
111	XVSYNC/	In	Low	
108	SENSE	In	High	Input pin normally used for reading monitor sense. Normally connected to the outputs of an LM339 comparator on the analog RGB outputs. The state of this pin may read as bit-4 of Input Status Register 0 (port 3C2h).
84	CRSR1 (GPOUT3)	Out	High	Graphics Cursor Overlay Control. These pins output a 2-bit cursor pattern during the graphics cursor valid period. These outputs are low when the graphics cursor is disabled or inactive. Can be used with a Palette DAC like the Brooktree BT471. Can be redefined as General Purpose Output pins. (Note: these pins are no connects in the 82C451).
83	CRSR0 (GPOUT2)	Out	High	

## 82C452 PIN DESCRIPTIONS

## Clock, Power, and Ground

Pin #	Pin Name	Type	Active	Description
39	FCIN0	In	High	These two pins may be read as bits 5 (FCIN0) and 6 (FCIN1) of Input Status Register 0 (port 3C2h).
40	FCIN1	In	High	
106	FCOUT0/	Out	Low	These two pins indicate the inverse of bits 0 and 1 of the Feature Control Register (which may be written at port 3BA/3DAh and read at 3CAh).
107	FCOUT1/	Out	Low	
105	CLK0	In	High	CLK0, CLK1, and CLK2 are 3 clock inputs. One of the three is selected as the input dotclock per Misc Output Register (3C2h) bits 2 and 3.
104	CLK1	In	High	
103	CLK2	In	High	
101	MCLK	In	High	Memory Clock. Used to generate display memory control signals. Can be used as display dot clock (internally divided by 1, 2 or 4). Maximum frequency 40 Mhz in 82C452.
1	VCC	VCC	--	Power
18	VCC	VCC	--	
37	VCC	VCC	--	
54	VCC	VCC	--	
73	VCC	VCC	--	
90	VCC	VCC	--	
109	VCC	VCC	--	
126	VCC	VCC	--	
9	GND	GND	--	Ground
19	GND	GND	--	
30	GND	GND	--	
45	GND	GND	--	
55	GND	GND	--	
66	GND	GND	--	
81	GND	GND	--	
91	GND	GND	--	
102	GND	GND	--	
117	GND	GND	--	
127	GND	GND	--	
138	GND	GND	--	

**82C452 REGISTER SUMMARY - CGA, MDA, AND HERCULES MODES**

<u>Register</u>	<u>Register Name</u>	<u>Bits</u>	<u>Access</u>	<u>I/O Port - MGA</u>	<u>I/O Port - CGA</u>	<u>Comment</u>
STAT	Display Status	7	R	3BA	3DA	
CLPEN	Clear Light Pen Flip Flop	0	W	3BB (ignored)	3DB (ignored)	no light pen
SLPEN	Set Light Pen Flip Flop	0	W	3B9 (ignored)	3DC (ignored)	no light pen
MODE	CGA/MDA/Hercules Mode Control	7	RW	3B8	3D8	
COLOR	CGA Color Select	6	RW	n/a	3D9	
CONFIG	Hercules Configuration	2	W	3BF	n/a	
			R	3B6-3B7 index 14	n/a	XR14
RX, R0-11	'6845' Registers	0-8	RW	3B4-3B5	3D4-3D5	
XR, XR0-7F	Extension Registers	0-8	RW	3B6-3B7	3D6-3D7	if port 103 bit-7=1

**82C452 REGISTER SUMMARY - EGA MODE**

<u>Register</u>	<u>Register Name</u>	<u>Bits</u>	<u>Access</u>	<u>I/O Port - Mono</u>	<u>I/O Port - Color</u>	<u>Comment</u>
MISC	Miscellaneous Output	7	W	3C2	3C2	
FC	Feature Control	3	W	3BA	3DA	
FEAT	Feature Read (Input Status 0)	4	R	3C2	3C2	
STAT	Display Status (Input Status 1)	7	R	3BA	3DA	
CLPEN	Clear Light Pen Flip Flop	0	W	3BB (ignored)	3DB (ignored)	no light pen
SLPEN	Set Light Pen Flip Flop	0	W	3BC (ignored)	3DC (ignored)	no light pen
SRX, SR0-4	Sequencer	0-8	RW	3C4-3C5	3C4-3C5	
CRX, CR0-18	CRT Controller	0-8	RW	3B4-3B5	3D4-3D5	
GRX, GR0-8	Graphics Controller	0-8	RW	3CE-3CF	3CE-3CF	
ARX, AR0-13	Attributes Controller	0-8	RW	3C0-3C1	3C0-3C1	
XR, XR0-7F	Extension Registers	0-8	RW	3B6-3B7	3D6-3D7	if port 103 bit-7=1

**82C452 REGISTER SUMMARY - VGA MODE**

<u>Register</u>	<u>Register Name</u>	<u>Bits</u>	<u>Access</u>	<u>I/O Port - Mono</u>	<u>I/O Port - Color</u>	<u>Reg Type</u>	<u>Comment</u>
POSIDL	POS ID LSB	8	R	100 (Setup Only)	100 (Setup Only)	VGA	External
POSIDH	POS ID MSB	8	R	101 (Setup Only)	101 (Setup Only)	VGA	External
SLEEP	Video Subsystem Sleep Control	1	RW	102 (Setup Only)	102 (Setup Only)	VGA	
XENA	Extended Enable	7	RW	103 (Setup Only)	103 (Setup Only)	VGA	
GLOBID	Global ID (0A5h)	8	R	104 (Setup Only)	104 (Setup Only)	VGA	
MISC	Miscellaneous Output	7	W	3C2	3C2	VGA	
			R	3CC	3CC	VGA	
FC	Feature Control	3	W	3BA	3DA	VGA	
			R	3CA	3CA	VGA	
FEAT	Feature Read (Input Status 0)	4	R	3C2	3C2	VGA	
STAT	Display Status (Input Status 1)	6	R	3BA	3DA	VGA	
CLPEN	Clear Light Pen Flip Flop	0	W	3BB (ignored)	3DB (ignored)	n/a	no lpen
SLPEN	Set Light Pen Flip Flop	0	W	3BC (ignored)	3DC (ignored)	n/a	no lpen
VSE	Video Subsystem Enable	1	RW	3C3 if MCA	3C3 if MCA	Motherboard	
46E8	Setup / Disable Control	2	W	46E8 if ISA	46E8 if ISA	VGA	
DACMASK	Color Palette Pixel Mask	8	RW	3C6, 83C6	3C6, 83C6	DAC	
DACSTATE	Color Palette State	2	R	3C7, 83C7	3C7, 83C7	VGA	
DACRX	Color Palette Read-Mode Index	8	W	3C7, 83C7	3C7, 83C7	DAC	
DACWX	Color Palette Write-Mode Index	8	RW	3C8, 83C8	3C8, 83C8	DAC	
DACDATA	Color Palette Registers 0-FF	3x6 or 3x8	RW	3C9, 83C9	3C9, 83C9	DAC	
SRX, SR0-7	Sequencer	0-8	RW	3C4-3C5	3C4-3C5	VGA	
CRX, CR0-3F	CRT Controller	0-8	RW	3B4-3B5	3D4-3D5	VGA	
GRX, GR0-8	Graphics Controller	0-8	RW	3CE-3CF	3CE-3CF	VGA	
ARX, AR0-14	Attributes Controller	0-8	RW	3C0-3C1	3C0-3C1	VGA	
XR, XR0-7F	Extension Registers	0-8	RW	3B6-3B7	3D6-3D7	VGA	103 bit7=1

**82C452 REGISTER SUMMARY - INDEXED REGISTERS (EGA / VGA)**

<u>Register</u>	<u>Register Name</u>	<u>Bits</u>	<u>Register Type</u>	<u>Access (VGA)</u>	<u>Access (EGA)</u>	<u>I/O Port</u>
SRX	Sequencer Index	3	VGA/EGA	RW	RW	3C4
SR0	Reset	2	VGA/EGA	RW	RW	3C5
SR1	Clocking Mode	6	VGA/EGA	RW	RW	3C5
SR2	Plane Mask	4	VGA/EGA	RW	RW	3C5
SR3	Character Map Select	6	VGA/EGA	RW	RW	3C5
SR4	Memory Mode	3	VGA/EGA	RW	RW	3C5
SR7	Reset Horizontal Character Counter	0	VGA	W	n/a	3C5
CRX	CRTC Index	6	VGA/EGA	RW	RW	3B4 Mono, 3D4 Color
CR0	Horizontal Total	8	VGA/EGA	RW	RW	3B5 Mono, 3D5 Color
CR1	Horizontal Display End	8	VGA/EGA	RW	RW	3B5 Mono, 3D5 Color
CR2	Horizontal Blanking Start	8	VGA/EGA	RW	RW	3B5 Mono, 3D5 Color
CR3	Horizontal Blanking End	5+2+1	VGA/EGA	RW	RW	3B5 Mono, 3D5 Color
CR4	Horizontal Retrace Start	8	VGA/EGA	RW	RW	3B5 Mono, 3D5 Color
CR5	Horizontal Retrace End	5+2+1	VGA/EGA	RW	RW	3B5 Mono, 3D5 Color
CR6	Vertical Total	8	VGA/EGA	RW	RW	3B5 Mono, 3D5 Color
CR7	Overflow	5	VGA/EGA	RW	RW	3B5 Mono, 3D5 Color
CR8	Preset Row Scan	5+2	VGA/EGA	RW	RW	3B5 Mono, 3D5 Color
CR9	Character Cell Height	5+3	VGA/EGA	RW	RW	3B5 Mono, 3D5 Color
CRA	Cursor Start	5+1	VGA/EGA	RW	RW	3B5 Mono, 3D5 Color
CRB	Cursor End	5+2	VGA/EGA	RW	RW	3B5 Mono, 3D5 Color
CRC	Start Address High	8	VGA/EGA	RW	RW	3B5 Mono, 3D5 Color
CRD	Start Address Low	8	VGA/EGA	RW	RW	3B5 Mono, 3D5 Color
CRE	Cursor Location High	8	VGA/EGA	RW	RW	3B5 Mono, 3D5 Color
CRF	Cursor Location Low	8	VGA/EGA	RW	RW	3B5 Mono, 3D5 Color
LPENH	Light Pen High	8	VGA/EGA	R	R	3B5 Mono, 3D5 Color
LPENL	Light Pen Low	8	VGA/EGA	R	R	3B5 Mono, 3D5 Color
CR10	Vertical Retrace Start	8	VGA/EGA	RW	W	3B5 Mono, 3D5 Color
CR11	Vertical Retrace End	4+4	VGA/EGA	RW	W	3B5 Mono, 3D5 Color
CR12	Vertical Display End	8	VGA/EGA	RW	RW	3B5 Mono, 3D5 Color
CR13	Offset	8	VGA/EGA	RW	RW	3B5 Mono, 3D5 Color
CR14	Underline Row Scan	5+2	VGA/EGA	RW	RW	3B5 Mono, 3D5 Color
CR15	Vertical Blanking Start	8	VGA/EGA	RW	RW	3B5 Mono, 3D5 Color
CR16	Vertical Blanking End	8	VGA/EGA	RW	RW	3B5 Mono, 3D5 Color
CR17	CRT Mode Control	7	VGA/EGA	RW	RW	3B5 Mono, 3D5 Color
CR18	Line Compare	8	VGA/EGA	RW	RW	3B5 Mono, 3D5 Color
CR22	Graphics Controller Data Latches	8	VGA	R	n/a	3B5 Mono, 3D5 Color
CR24	Attribute Controller Index/Data Latch	1	VGA	R	n/a	3B5 Mono, 3D5 Color
CR3x	Clear Vertical Display Enable FF	0	VGA	W	n/a	3B5 Mono, 3D5 Color
GRX	Graphics Controller Index	4	VGA/EGA	RW	RW	3CE
GR0	Set/Reset	4	VGA/EGA	RW	RW	3CF
GR1	Enable Set/Reset	4	VGA/EGA	RW	RW	3CF
GR2	Color Compare	4	VGA/EGA	RW	RW	3CF
GR3	Data Rotate	5	VGA/EGA	RW	RW	3CF
GR4	Read Map Select	2	VGA/EGA	RW	RW	3CF
GR5	Mode	6	VGA/EGA	RW	RW	3CF
GR6	Miscellaneous	4	VGA/EGA	RW	RW	3CF
GR7	Color Don't Care	4	VGA/EGA	RW	RW	3CF
GR8	Bit Mask	8	VGA/EGA	RW	RW	3CF
ARX	Attribute Controller Index	6	VGA/EGA	RW	RW	3C0 (3C1)
AR0-F	Internal Palette Regs 0-15	6	VGA/EGA	RW	RW	3C0 (3C1)
AR10	Mode Control	7	VGA/EGA	RW	RW	3C0 (3C1)
AR11	Overscan Color	6	VGA/EGA	RW	RW	3C0 (3C1)
AR12	Color Plane Enable	6	VGA/EGA	RW	RW	3C0 (3C1)
AR13	Horizontal Pixel Panning	4	VGA/EGA	RW	RW	3C0 (3C1)
AR14	Color Select	4	VGA	RW	n/a	3C0 (3C1)

**82C452 EXTENSION REGISTER SUMMARY: 00-2F**
**Chips' 45x Product Family**

Reg	Register Name	Bits	Access	Port	Reset	450	451	452	455	456
XR0	Extension Index Register	7	R/W	3B7/3D6	0 x x x x x x x	✓	✓	✓	✓	✓
XR00	Chip Version	8	R/O	3B7/3D7	0 0 0 1 r r r r	✓	✓	✓	✓	✓
XR01	DIP Switch	8	R/O	3B7/3D7	0 d d d d d d d	✓	✓	✓	✓	✓
XR02	CPU Interface	8	R/W	3B7/3D7	R R R R R R 0 R	✓	✓	✓	✓	✓
XR03	ROM Interface	1		3B7/3D7	0 0 0 0 0 0 0 R	.	✓	✓	.	.
XR04	Memory Mapping	2	R/W	3B7/3D7	0 0 0 0 0 R R R	✓	✓	✓	✓	✓
XR05	Sequencer Control	6	R/W	3B7/3D7	0 R R R R 0 R R	.	.	✓	.	.
XR06	DRAM Interface	8	R/W	3B7/3D7	0 1 0 0 1 0 1 0	.	.	✓	.	.
XR07	-reserved-	--	--	3B7/3D7		.	.	.	.	.
XR08	General Purpose Output Select B	4	R/W	3B7/3D7	0 0 0 0 R R R R	.	✓	✓	✓	✓
XR09	General Purpose Output Select A	4	R/W	3B7/3D7	0 0 0 0 R R R R	.	✓	✓	✓	✓
XR0A	Cursor Address Top	2	R/W	3B7/3D7	0 0 0 0 R R R R	.	.	✓	.	.
XR0B	CPU Paging	3	R/W	3B7/3D7	0 0 0 0 0 R R R	✓	.	✓	✓	✓
XR0C	Start Address Top	2	R/W	3B7/3D7	0 0 0 0 0 0 R R	✓	.	✓	✓	✓
XR0D	Auxiliary Offset	2	R/W	3B7/3D7	0 0 0 0 0 0 R R	✓	✓	✓	✓	✓
XR0E	Text Mode	2	R/W	3B7/3D7	0 0 0 0 0 0 R R	✓	.	✓	.	.
XR0F	-reserved-	--	--	3B7/3D7		.	.	.	.	.
XR10	Single/Low Map Register	6	R/W	3B7/3D7	0 0 R R R R R R	✓	.	✓	.	.
XR11	High Map Register	6	R/W	3B7/3D7	0 0 R R R R R R	✓	.	✓	.	.
XR12	-reserved-	--	--	3B7/3D7		.	.	.	.	.
XR13	-reserved-	--	--	3B7/3D7		.	.	.	.	.
XR14	Emulation Mode	8	R/W	3B7/3D7	R R R R h h R R	✓	✓	✓	✓	✓
XR15	Write Protect	7	R/W	3B7/3D7	R R R R R R R R	✓	✓	✓	✓	✓
XR16	Trap Enable	6	R/W	3B7/3D7	0 0 R R R R R R	.	✓	✓	✓	✓
XR17	Trap Status	6	R/W	3B7/3D7	0 0 R R R R R R	.	✓	✓	✓	✓
XR18	Alternate H Display End	8	R/W	3B7/3D7	x x x x x x x x	✓	✓	✓	✓	✓
XR19	Alt H Retr Start/Half-line Comp	8	R/W	3B7/3D7	x x x x x x x x	✓	✓	✓	✓	✓
XR1A	Alternate H Retrace End	8	R/W	3B7/3D7	x x x x x x x x	✓	✓	✓	✓	✓
XR1B	Alternate H Total	8	R/W	3B7/3D7	x x x x x x x x	✓	✓	✓	✓	✓
XR1C	Alternate H Blank Start	8	R/W	3B7/3D7	x x x x x x x x	✓	✓	✓	✓	✓
XR1D	Alternate H Blank End	8	R/W	3B7/3D7	R x x x x x x x	✓	✓	✓	✓	✓
XR1E	Alternate Offset	8	R/W	3B7/3D7	x x x x x x x x	✓	✓	✓	✓	✓
XR1F	(Virtual EGA Switch Register)	--	--	3B7/3D7	0 0 0 0 x x x x	✓	.	.	.	.
XR20	Sliding Unit Delay / (453 Interface)	2	R/W	3B7/3D7	0 0 0 0 0 0 R R	.	.	✓	.	.
XR21	Sliding Hold A	8	R/W	3B7/3D7	x x x x x x x x	.	.	✓	.	.
XR22	Sliding Hold B	8	R/W	3B7/3D7	x x x x x x x x	.	.	✓	.	.
XR23	Sliding Hold C / (Wr Bit Mask Ctrl)	8	R/W	3B7/3D7	x x x x x x x x	.	.	✓	.	.
XR24	Sliding Hold D / (Wr Bit Mask Pattern)	8	R/W	3B7/3D7	x x x x x x x x	.	.	✓	.	.
XR25	(453 Pin Definition)	--	--	3B7/3D7		.	.	.	.	.
XR26	(453 Configuration)	--	--	3B7/3D7		.	.	.	.	.
XR27	Force Sync State	6	R/W	3B7/3D7	0 0 R R R R R R	.	.	✓	.	.
XR28	Video Interface	3	R/W	3B7/3D7	0 0 0 0 R R R R	✓	✓	✓	✓	✓
XR29	Function Control	6	R/W	3B7/3D7	R R R R R R 0 0	.	.	✓	.	.
XR2A	Frame Interrupt Count	4	R/W	3B7/3D7	0 0 0 R R R R R	.	.	✓	.	.
XR2B	Default Video	8	R/W	3B7/3D7	R R R R R R R R	✓	✓	✓	✓	✓
XR2C	Delay Horizontal High	4		3B7/3D7	0 0 0 0 R R R R	.	.	✓	.	.
XR2D	Delay Horizontal Low	8		3B7/3D7	R R R R R R R R	.	.	✓	.	.
XR2E	Delay Vertical High	4		3B7/3D7	0 0 0 0 0 0 R R	.	.	✓	.	.
XR2F	Delay Vertical Low	8		3B7/3D7	R R R R R R R R	.	.	✓	.	.

Reset Codes: x = Not changed by RESET (indeterminate on power-up)      0 = Not implemented (always reads 0)  
d = Set from the corresponding data bus pin on falling edge of RESET      r = Chip revision # (starting from 0001)  
h = Read-only Hercules Configuration Register Readback bits      R = Reset to 0 by falling edge of RESET

Note: Check marks in the table above indicate the register listed to the left is implemented in the chip named at the top of the column  
Note: 451 = Integrated VGA, 452 = Super VGA, 455 & 456 VGAs drive both CRT and Flat Panel displays (Plasma, EL, and LCD)

**82C452 EXTENSION REGISTER SUMMARY: 30-5F**

Reg	Register Name	Bits	Access	Port	Reset	Chips' 45x Product Family				
						450	451	452	455	456
XR30	Graphics Cursor Start Address High	8	RW	3B7/3D7	x x x x x x x x	.	.	✓	.	.
XR31	Graphics Cursor Start Address Low	8	RW	3B7/3D7	x x x x x x x x	.	.	✓	.	.
XR32	Graphics Cursor End Address	8	RW	3B7/3D7	x 0 0 x x x x x	.	.	✓	.	.
XR33	Graphics Cursor X Position High	5	RW	3B7/3D7	x x x x x x x x	.	.	✓	.	.
XR34	Graphics Cursor X Position Low	8	RW	3B7/3D7	0 0 0 x x x x x	.	.	✓	.	.
XR35	Graphics Cursor Y Position High	4	RW	3B7/3D7	x x x x x x x x	.	.	✓	.	.
XR36	Graphics Cursor Y Position Low	8	RW	3B7/3D7	0 R R R R R R R R	.	.	✓	.	.
XR37	Graphics Cursor Mode	5	RW	3B7/3D7	0 0 0 R R R R R	.	.	✓	.	.
XR38	Graphics Cursor Mask	8	RW	3B7/3D7	x x x x x x x x	.	.	✓	.	.
XR39	Graphics Cursor Color 0	8	RW	3B7/3D7	x x x x x x x x	.	.	✓	.	.
XR3A	Graphics Cursor Color 1	8	RW	3B7/3D7	x x x x x x x x	.	.	✓	.	.
XR3B	-reserved-	--	--	3B7/3D7		.	.	.	.	.
XR3C	-reserved-	--	--	3B7/3D7		.	.	.	.	.
XR3D	-reserved-	--	--	3B7/3D7		.	.	.	.	.
XR3E	-reserved-	--	--	3B7/3D7		.	.	.	.	.
XR3F	-reserved-	--	--	3B7/3D7		.	.	.	.	.
XR40	(I/O Flag)	--	--	3B7/3D7		.	.	.	.	.
XR41	-reserved-	--	--	3B7/3D7		.	.	.	.	.
XR42	-reserved-	--	--	3B7/3D7		.	.	.	.	.
XR43	-reserved-	--	--	3B7/3D7		.	.	.	.	.
XR44	(Scratch Register 0)	--	--	3B7/3D7		.	.	.	.	.
XR45	(Scratch Register 1 / FG Color)	--	--	3B7/3D7		.	.	.	.	.
XR46	-reserved-	--	--	3B7/3D7		.	.	.	.	.
XR47	-reserved-	--	--	3B7/3D7		.	.	.	.	.
XR48	-reserved-	--	--	3B7/3D7		.	.	.	.	.
XR49	-reserved-	--	--	3B7/3D7		.	.	.	.	.
XR4A	-reserved-	--	--	3B7/3D7		.	.	.	.	.
XR4B	-reserved-	--	--	3B7/3D7		.	.	.	.	.
XR4C	-reserved-	--	--	3B7/3D7		.	.	.	.	.
XR4D	-reserved-	--	--	3B7/3D7		.	.	.	.	.
XR4E	-reserved-	--	--	3B7/3D7		.	.	.	.	.
XR4F	-reserved-	--	--	3B7/3D7		.	.	.	.	.
XR50	(Panel Format)	--	--	3B7/3D7		.	.	.	✓	✓
XR51	(Display Type)	--	--	3B7/3D7		.	.	.	✓	✓
XR52	(Panel Size)	--	--	3B7/3D7		.	.	.	✓	✓
XR53	(Override)	--	--	3B7/3D7		.	.	.	✓	✓
XR54	(Alternate Misc Output)	--	--	3B7/3D7		.	.	.	✓	✓
XR55	(Text Mode 350_A Compensation)	--	--	3B7/3D7		.	.	.	✓	✓
XR56	(Text Mode 350_B Compensation)	--	--	3B7/3D7		.	.	.	✓	✓
XR57	(Text Mode 400 Compensation)	--	--	3B7/3D7		.	.	.	✓	✓
XR58	(Graphics Mode 350 Compensation)	--	--	3B7/3D7		.	.	.	✓	✓
XR59	(Graphics Mode 400 Compensation)	--	--	3B7/3D7		.	.	.	✓	✓
XR5A	(Flat Panel Vertical Display Start 400)	--	--	3B7/3D7		.	.	.	✓	✓
XR5B	(Flat Panel Vertical Display End 400)	--	--	3B7/3D7		.	.	.	✓	✓
XR5C	(Weight Control Clock A)	--	--	3B7/3D7		.	.	.	✓	✓
XR5D	(Weight Control Clock B)	--	--	3B7/3D7		.	.	.	✓	✓
XR5E	(ACDCLK Control)	--	--	3B7/3D7		.	.	.	✓	✓
XR5F	(Power Down Mode Refresh)	--	--	3B7/3D7		.	.	.	✓	✓

**82C452 EXTENSION REGISTER SUMMARY: 60-7F**

Reg	Register Name	Bits	Access	Port	Reset	Chips' 45x Product Family				
						450	451	452	455	456
XR60	<i>(Blink Rate Control)</i>	--	--	3B7/3D7		.	.	.	✓	✓
XR61	<i>(Text Color Mapping Control)</i>	--	--	3B7/3D7		.	.	.	✓	✓
XR62	<i>(Text Color Shift Parameter)</i>	--	--	3B7/3D7		.	.	.	✓	✓
XR63	<i>(Graphics Color Mapping Control)</i>	--	--	3B7/3D7		.	.	.	✓	✓
XR64	<i>(Alternate Vertical Total)</i>	--	--	3B7/3D7		.	.	.	✓	✓
XR65	<i>(Alternate Overflow)</i>	--	--	3B7/3D7		.	.	.	✓	✓
XR66	<i>(Alternate Vertical Sync Start)</i>	--	--	3B7/3D7		.	.	.	✓	✓
XR67	<i>(Alternate Vertical Sync End)</i>	--	--	3B7/3D7		.	.	.	✓	✓
XR68	<i>(Alternate Vertical Display Enable Enc</i>	--	--	3B7/3D7		.	.	.	✓	✓
XR69	<i>(Flat Panel Vertical Display Start 350)</i>	--	--	3B7/3D7		.	.	.	✓	✓
XR6A	<i>(Flat Panel Vertical Display End 350)</i>	--	--	3B7/3D7		.	.	.	✓	✓
XR6B	<i>(Flat Panel Vertical Overflow 2)</i>	--	--	3B7/3D7		.	.	.	✓	✓
XR6C	<i>(Weight Control Clock C)</i>	--	--	3B7/3D7		.	.	.	✓	✓
XR6D	<i>(External Palette Control)</i>	--	--	3B7/3D7		.	.	.	.	✓
XR6E	-reserved-	--	--	3B7/3D7		.	.	.	.	.
XR6F	-reserved-	--	--	3B7/3D7		.	.	.	.	.
XR70	-reserved-	--	--	3B7/3D7		.	.	.	.	.
XR71	-reserved-	--	--	3B7/3D7		.	.	.	.	.
XR72	-reserved-	--	--	3B7/3D7		.	.	.	.	.
XR73	-reserved-	--	--	3B7/3D7		.	.	.	.	.
XR74	-reserved-	--	--	3B7/3D7		.	.	.	.	.
XR75	-reserved-	--	--	3B7/3D7		.	.	.	.	.
XR76	-reserved-	--	--	3B7/3D7		.	.	.	.	.
XR77	-reserved-	--	--	3B7/3D7		.	.	.	.	.
XR78	-reserved-	--	--	3B7/3D7		.	.	.	.	.
XR79	-reserved-	--	--	3B7/3D7		.	.	.	.	.
XR7A	-reserved-	--	--	3B7/3D7		.	.	.	.	.
XR7B	-reserved-	--	--	3B7/3D7		.	.	.	.	.
XR7C	-reserved-	--	--	3B7/3D7		.	.	.	.	.
XR7D	-reserved-	--	--	3B7/3D7		.	.	.	.	.
XR7E	<b>CGA/Hercules Color Select</b>	6	R/O	3B7/3D7	00xxxxxx	✓	✓	✓	✓	✓
XR7F	<b>Diagnostic</b>	7	R/W	3B7/3D7	0RxxxxRR	✓	✓	✓	✓	✓

## 82C452 Registers

### GLOBAL CONTROL (SETUP) REGISTERS

The Setup Control Register is used to enable or disable the VGA. It is also used to place the VGA in normal or setup mode. This register is used only in the PC-bus interface. In the MCA Bus interface these functions are performed by the DISA/ and SETUP/ pins respectively.

The Global and Extension Enable Registers are accessible only during Setup mode. The Global ID Register contains the ID number that identifies the 82C452 as a Chips & Technologies product.

Note: In setup mode in the IBM VGA, the Global Setup Register (defined as port address 102) actually occupies the *entire I/O space*. Only the lower 3 bits are used to decode and select this register. To avoid bus conflicts with other peripherals, reads should only be performed at the 10xh port addresses while in setup mode. To eliminate potential compatibility problems in widely varying PC systems, the 82C452 decodes the Global Setup register at I/O port 102h only.

### GENERAL CONTROL REGISTERS

Two Input Status Registers read the SENSE pin, pending CRT interrupt, display enable/HSYNC output, and vertical retrace/video output. The Feature Control Register selects the VSYNC function while the Miscellaneous Output Register controls I/O address select, clock selection, access to video RAM, memory page, and video SYNC polarity.

### CGA / HERCULES REGISTERS

CGA Mode and Color Select registers are provided on-chip for emulation of CGA modes. Hercules Mode and Configuration registers are provided on-chip for emulation of Hercules mode.

### SEQUENCER REGISTERS

The Sequencer Index Register contains a 3-bit index to the Sequencer Data Registers. The Reset Register forces an asynchronous or synchronous reset of the Sequencer. The Sequencer Clocking Mode Register controls master clocking functions, video enable/disable and selects either an 8 or 9 dot character clock. A Plane/Map Mask Register enables the color plane and write protect. The Character

Font Select Register handles video intensity and character generation and controls the display memory plane through the character generator select. The Sequencer Memory Mode Register handles all memory, giving access by the CPU to 4/16/32 KBytes, Odd/Even addresses (planes) and writing of data to display memory.

### CRT CONTROLLER REGISTERS

The CRT Controller Index Register contains a 6-bit index to the CRT Controller Registers. Twenty eight registers perform all display functions for modes: horizontal and vertical blanking and sync, panning and scrolling, cursor size and location, light pen, and underline.

### GRAPHICS CONTROLLER REGISTERS

The Graphics Controller Index Register contains a 4-bit index to the Graphics Controller Registers. The Set/Reset Register controls the format of the CPU data to display memory. It also works with the Enable Set/Reset Register. Reducing 32-bits of display data to 8-bits of CPU data is accomplished by the Color Compare Register. Data Rotate Registers specify the CPU data bits to be rotated and subjected to logical operations. The Read Map Select Register reduces memory data for the CPU in the four plane (16 color) graphics mode. The Graphics Mode Register controls the write, read, and shift register modes. The Miscellaneous Register handles graphics/text, chaining of odd/even planes, and display memory mapping. Additional registers include Color Don't Care and Bit Mask.

### ATTRIBUTE CONTROLLER AND EXTERNAL COLOR PALETTE REGISTERS

The Attribute Controller Index Register contains a 5-bit index to the Attribute Controller Registers. A 6th bit is used to enable the video. The Attribute Controller Registers handle internal color lookup table mapping, text/graphics mode, overscan color, and color plane enable. The horizontal Pixel Panning and Pixel Padding Registers control pixel attributes on screen. External color palette registers handle CPU reads and writes to I/O address range 3C6h-3C9h. Some of the registers are located external to the 82C452 in the external color palette. Inmos IMSG176 (Brooktree BT471/476) compatible registers are documented in this manual.



## EXTENSION REGISTERS

The 82C452 defines a set of extension registers which are addressed with the 7-bit Extension Register Index. The I/O port address (3Bx/3Dxh) and Read/Write access to the extension registers are controlled by the Extension Enable Register (103h).

The extension registers handle a variety of interfacing, compatibility, and display functions as discussed below. They are grouped into the following logical groups for discussion purposes:

1. Miscellaneous Registers include the 82C452 Version number, Dip Switch, CPU interface, paging control, memory mode control, and diagnostic functions.
2. General Purpose Registers handle video blanking and the video default color.
3. Backwards Compatibility Registers control Hercules, MDA, and CGA emulation modes. Write Protect functions are provided to increase flexibility in providing backwards compatibility.
4. Alternate Horizontal and Vertical Registers handle all horizontal and vertical timing, including sync, blank and offset. These are used for backwards compatibility.

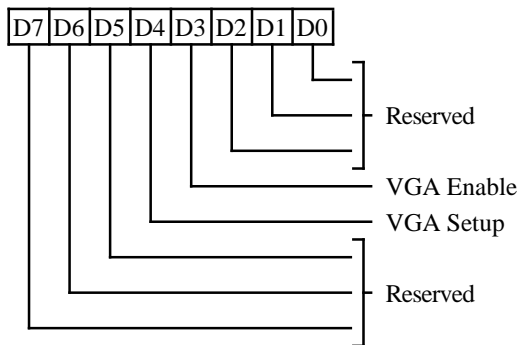
Note: The state of most of the Standard VGA Registers is undefined at reset. All registers specific to the 82C452 (Extension Registers) are summarized in the Extension Register Table.

## 82C452 Global Control (Setup) Registers

Register Mnemonic	Register Name	Index	Access	I/O Address	Protect Group	Page
–	Setup Control	–	W	46E8h (PC-Bus only)	–	23
–	Global Enable	–	RW	102h & Setup mode	–	23
–	Extension Enable	–	RW	103h & Setup mode	–	24
–	Global ID	–	R	104h & Setup mode	–	24

### SETUP CONTROL REGISTER

Write only at I/O Address 46E8h

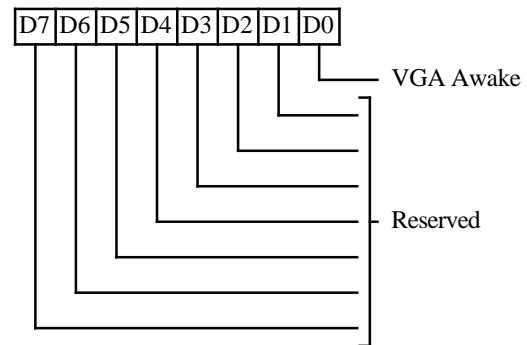


This register is used with the PC-Bus Interface only. It is cleared by RESET. In the MCA interface, the Setup mode and VGA Disable are controlled through the SETUP/ and DISA/ pins, respectively.

- 2-0** Reserved (0)
- 3** VGA Enable
  - 0: VGA is disabled
  - 1: VGA is enabled
- 4** Setup Mode
  - 0: VGA is in Normal Mode
  - 1: VGA is in Setup Mode
- 7-5** Reserved (0)

### GLOBAL ENABLE REGISTER

Read/Write at I/O Address 102h

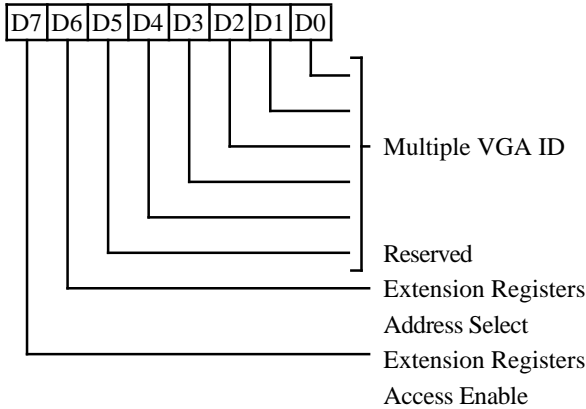


This register is only accessible in Setup Mode. It is cleared by RESET.

- 0** VGA Awake
  - 0: VGA is in sleep mode
  - 1: VGA is awake
- 7-1** Reserved (0)

**EXTENSION ENABLE REGISTER**

Read/Write at I/O Address 103h



This register is only accessible in Setup Mode. It is cleared by RESET.

**4-0** Multiple VGA ID. The ID number of the currently active VGA when multiple VGA feature is enabled.

D4	D3	D2	D1	D0	Comment
0	0	0	0	0	1 82C452, no DIP switch to be compared against
0	0	0	0	1	1 82C452, no DIP switch to be compared against
0	0	0	1	x	2 82C452, 1 DIP switch to be compared against
0	0	1	x	x	4 82C452, 2 DIP switch to be compared against
0	1	x	x		8 82C452, 3 DIP switch to be compared against
1	x	x	x	x	16 82C452, 4 DIP switch to be compared against

**5** Reserved (0)

**6** Address for Extension Registers

0: Extension registers at I/O Address 3D6/3D7h

1: Extension registers at I/O Address 3B6/3B7h.

**7** Extension Registers Access Enable. This bit controls access to the extension registers at

3D6/7 or 3B6/7. It also allows access to all CGA, MDA and Hercules registers in non-emulation mode.

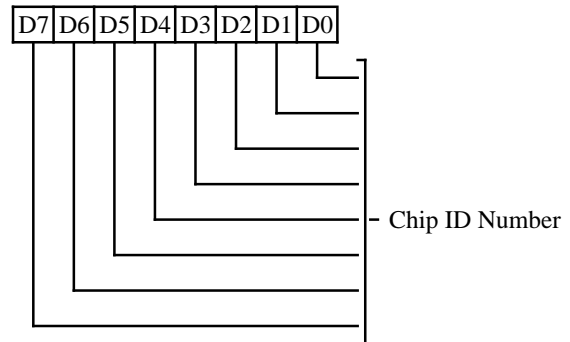
- 0: Disable Access
- 1: Enable Access

The CRT Controller and CGA/Hercules Registers are dependent on this bit and the emulation mode as follows:

Bit	Emulation Mode	CRTC Address	CGA/Hercules Registers
7	Mode	Address	3B8,3BF, 3D8, 3D9
0	VGA	3x4/5 only	not accessible
0	CGA	3D0/1,3D2/3 3D4/5,3D6/70	3D8,3D9 accessible
0	Hercules	3B0/1,3B2/3 3B4/5,3B6/7	3B8,3BF accessible
1	any	3x4/5 only	all accessible

**GLOBAL ID REGISTER**

Read only at I/O Address 104h



This register is only accessible in Setup Mode.

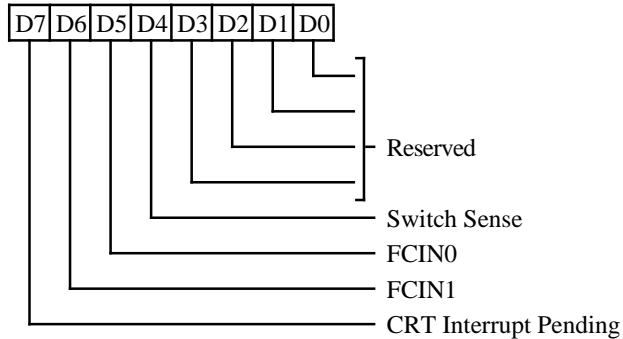
**7-0** These bits contain the ID number (0A5h). This identifies the chip as a Chips and Technologies product.

## 82C452 General Control & Status Registers

Register Mnemonic	Register Name	Index	Access	I/O Address	Protect Group	Page
ST00	Input Status 0	–	R	3C2h	–	25
ST01	Input Status 1	–	R	3BAh/3DAh	–	25
FCR	Feature Control	–	W	3BAh/3DAh	5	26
MSR	Miscellaneous Output	–	R	3CAh	5	26
			W	3C2h		
			R	3CCh		

### INPUT STATUS REGISTER 0 (ST00)

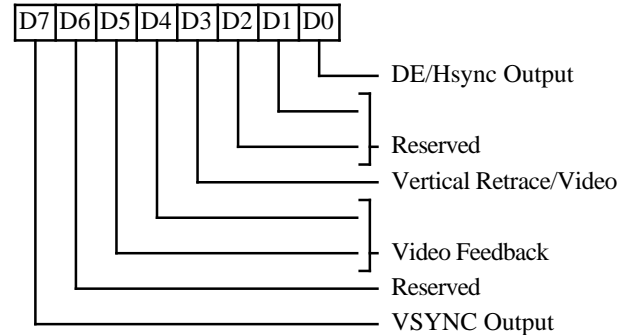
Read only at I/O Address at 3C2h



- 3-0** Reserved (0)
- 4** Switch Sense. This bit returns the Status of the SENSE pin.
- 6-5** These bits indicate the status of FCIN1 and FCIN0 input pins.
- 7** CRT Interrupt Pending
  - 0: Indicates no CRT interrupt is pending
  - 1: Indicates a CRT interrupt is waiting to be serviced

### INPUT STATUS REGISTER 1 (ST01)

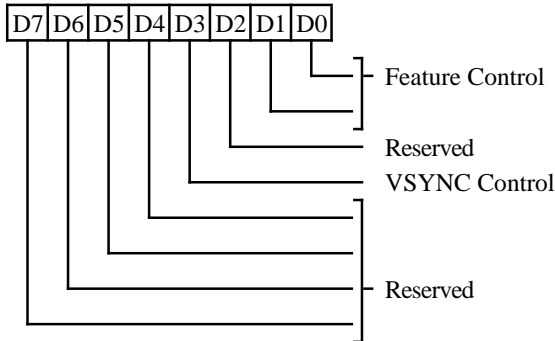
Read only at I/O Address 3BAh/3DAh



- 0** Display Enable/HSYNC Output. The functionality of this bit is controlled by the Emulation Mode register (XR14 D4).
  - 0: Indicates DE or HSYNC inactive
  - 1: Indicates DE or HSYNC active
- 2-1** Reserved (0)
- 3** Vertical Retrace/Video. The functionality of this bit is controlled by the Emulation Mode register (XR14 D5).
  - 0: Indicates VSYNC or video inactive
  - 1: Indicates VSYNC or video active
- 5-4** Video Feedback 1,0. These are diagnostic video bits which are selected via the Color Plane Enable Register.
- 6** Reserved (0)
- 7** VSYNC Output. The functionality of this bit is controlled by the Emulation Mode register (XR14 D6). It reflects the active status of the VSYNC output: 0=inactive, 1=active.

**FEATURE CONTROL REGISTER (FCR)**

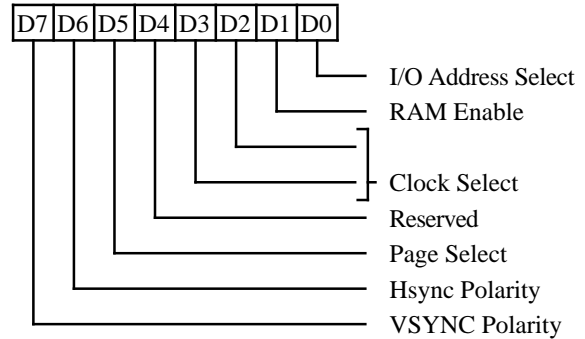
Write at I/O Address 3BAh/3DAh  
 Read at I/O Address 3CAh  
 Group 5 Protection



- 1-0** These two bits are inverted and output on the FCOUT1 and FCOUT0 pins.
- 2** Reserved (0)
- 3** VSYNC Control This bit is cleared by RESET.
  - 0: VSYNC output on the VSYNC pin
  - 1: Logical 'OR' of VSYNC and Display Enable output on the VSYNC pin
- 7-4** Reserved (0)

**MISCELLANEOUS OUTPUT REGISTER (MSR)**

Write at I/O Address 3C2h  
 Read at I/O Address 3CCh  
 Group 5 Protection



This register is cleared by RESET.

- 0** I/O Address Select. This bit selects 3Bxh or 3Dxh as the I/O address for the CRT Controller registers, the Feature Control Register (FCR), and Input Status Register 1 (ST01).
  - 0: Select 3Bxh I/O address
  - 1: Select 3Dxh I/O address
- 1** Enable RAM. 0: Prevent CPU access to display memory; 1: Allow CPU access to display memory.
- 3-2** Clock Select. These bits select the dot clock source for the CRT interface:
 

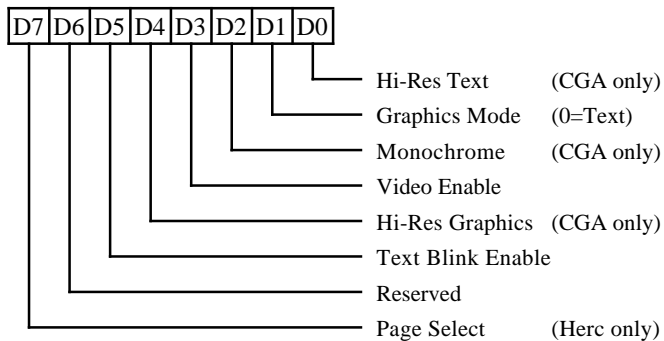
<u>32</u>	<u>Clock Source Selected</u>
00	CLK0
01	CLK1
10	CLK2
11	None
- 4** Reserved (0)
- 5** Page Select. In Odd/Even Memory Map Mode 1 (GR6), this bit selects the upper or lower 64K byte page in display memory for CPU access: 1=select lower page; 0=select upper page.
- 6** CRT HSYNC Polarity. 0=pos, 1=neg
- 7** CRT VSYNC Polarity. 0=pos, 1=neg  
 (Blank pin polarity can be controlled via the Video Interface Register)

## 82C452 CGA / Hercules Registers

Register Mnemonic	Register Name	Index	Access	I/O Address	Protect Group	Page
MODE	CGA/Hercules Mode	–	RW	3D8h	–	27
COLOR	CGA Color Select	–	RW	3D9h	–	28
HCFG	Hercules Configuration	–	RW	3BFh	–	29

### CGA / HERCULES MODE CONTROL REGISTER (MODE)

Read/Write at I/O Address 3B8h/3D8h



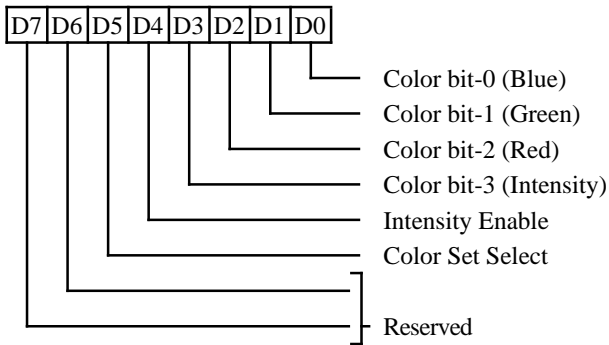
This register is effective only in CGA and Hercules modes. It is accessible if CGA or Hercules emulation mode is selected or the extension registers are enabled. If the extension registers are enabled, the address is determined by the address select in the Miscellaneous Outputs register. Otherwise the address is determined by the emulation mode. It is cleared by RESET.

- 0** CGA 80/40 Column Text Mode
  - 0: Select 40 column CGA text mode
  - 1: Select 80 column CGA text mode
- 1** CGA/Hercules Graphics/Text Mode
  - 0: Select text mode
  - 1: Select graphics mode

- 2** CGA Mono/Color Mode
  - 0: Select CGA color mode
  - 1: Select CGA monochrome mode
- 3** CGA/Hercules Video Enable
  - 0: Blank the screen
  - 1: Enable video output
- 4** CGA High Resolution Mode
  - 0: Select 320x200 graphics mode
  - 1: Select 640x200 graphics mode
- 5** CGA/Hercules Text Blink Enable
  - 0: Disable character blink attribute (blink attribute bit-7 used to control background intensity)
  - 1: Enable character blink attribute
- 6** Reserved (0)
- 7** Hercules Page Select
  - 0: Select the lower part of memory (starting address B0000h) in Hercules Graphics Mode
  - 1: Select the upper part of the memory (starting address B8000h) in Hercules Graphics Mode

**CGA COLOR SELECT REGISTER**

Read/Write at I/O Address 3D9h



This register is effective only in CGA modes. It is accessible if CGA emulation mode is selected or the extension registers are enabled. This register may also be read or written as an Extension Register (XR7E). It is cleared by RESET. In Hercules Graphics mode, this register should be accessed at 7Eh. A value of 0Fh in 7Eh will work for the Hercules Graphics mode.

**3-0 Color**

320x200 4-color: Background Color (color when the pixel value is 0)

The foreground colors (colors when the pixel value is 1-3) are determined by bit-5 of this register.

640x200 2-color: Foreground Color (color when the pixel value is 1)

The background color (color when the pixel value is 0) is black.

**4 Intensity Enable**

Text Mode: Enables intensified background colors

320x200 4-color: Enables intensified colors 0-3

640x200 2-color: Don't care

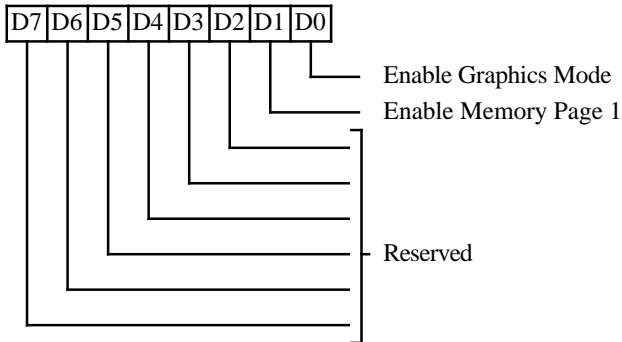
**5 Color Set Select.** This bit selects one of two available CGA color palettes to be used in 320x200 graphics mode (it is ignored in all other modes) according to the following table:

Pixel Value	Color Set 0	Color Set 1
0 0	Color per bits 0-3	Color per bits 0-3
0 1	Green	Cyan
1 0	Red	Magenta
1 1	Brown	White

**7-6 Reserved (0)**

## HERCULES CONFIGURATION REGISTER (HCFG)

Write only at I/O Address 3BFh



This register is effective only in Hercules mode. It is accessible in Hercules emulation mode or if the extension registers are enabled. It may be read back through XR14 D3 & D2. It is cleared by RESET.

### 0 Enable Graphics Mode

- 0: Lock the 82C452 in Hercules text mode. In this mode, the CPU has access only to memory address range B0000h-B7FFFh.
- 1: Permit entry to Hercules Graphics mode.

### 1 Enable Memory Page 1

- 0: Prevent setting of the Page Select bit (bit 7 of the Hercules Mode Control Register). This function also restricts memory usage to addresses B0000h-B7FFFh.
- 1: The Page Select bit can be set and the upper part of display memory (addresses B8000h - BFFFFh) is available.

### 7-2 Reserved (0)



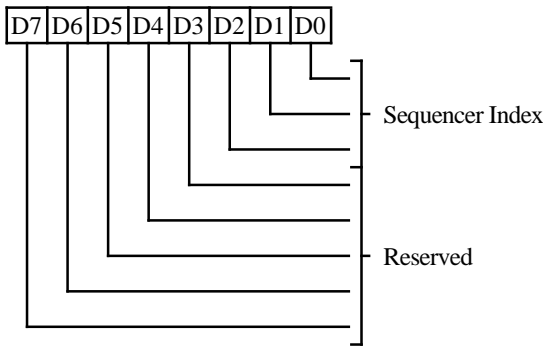
*This page was intentionally left  
blank*

## 82C452 Sequencer Registers

Register Mnemonic	Register Name	Index	Access	I/O Address	Protect Group	Page
SRX	Sequencer Index	–	RW	3C4h	1	31
SR00	Reset	00h	RW	3C5h	1	31
SR01	Clocking Mode	01h	RW	3C5h	1	32
SR02	Plane/Map Mask	02h	RW	3C5h	1	32
SR03	Character Font	03h	RW	3C5h	1	33
SR04	Memory Mode	04h	RW	3C5h	1	34
SR07	Horizontal Character Counter Reset	07h	W	3C5h	–	34

### SEQUENCER INDEX REGISTER (SRX)

Read/Write at I/O Address 3C4h



This register is cleared by RESET.

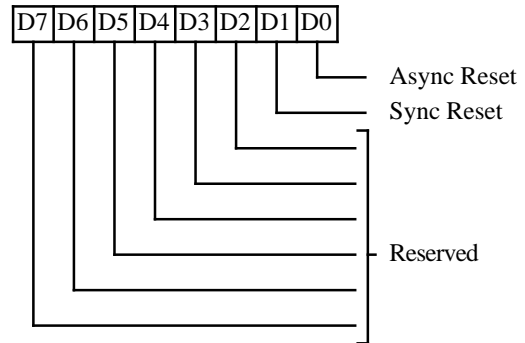
- 2-0** These bits contain a 3-bit Sequencer Index value used to access sequencer data registers at indices 0 through 7.
- 7-3** Reserved (0)

### SEQUENCER RESET REGISTER (SR00)

Read/Write at I/O Address 3C5h

Index 00h

Group 1 Protection



- 0** Asynchronous Reset
  - 0: Force asynchronous reset
  - 1: Normal operation

Display memory data will be corrupted if this bit is set to zero.

- 1** Synchronous Reset
  - 0: Force synchronous reset
  - 1: Normal operation

Display memory data is not corrupted if this bit is set to zero for a short period of time (a few tens of microseconds).

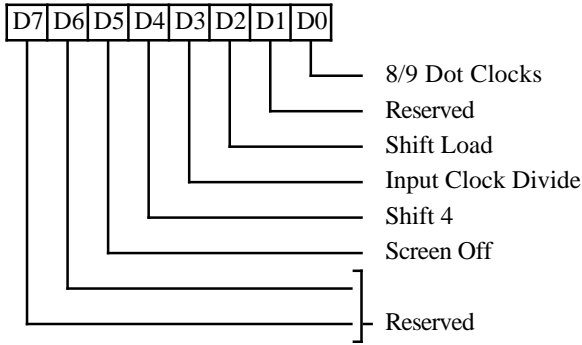
- 7-2** Reserved (0)

**SEQUENCER CLOCKING MODE REGISTER (SR01)**

Read/Write at I/O Address 3C5h

Index 01h

Group 1 Protection



- 0** 8/9 Dot Clocks. This bit determines whether a character clock is 8 or 9 dot clocks long.
  - 0: Select 9 dots/character clock
  - 1: Select 8 dots/character clock
- 1** Reserved (0)
- 2** Shift Load
  - 0: Load video data shift registers every character clock
  - 1: Load video data shift registers every other character clock

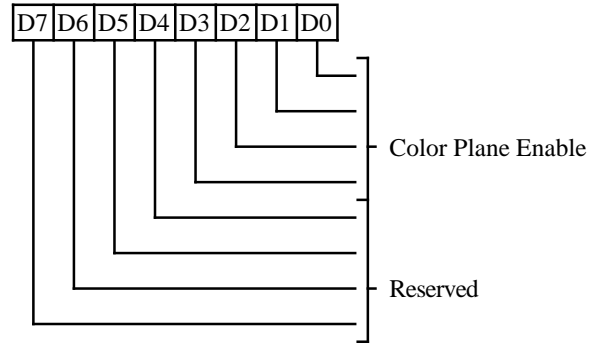
Bit-4 of this register must be 0 for this bit to be effective.
- 3** Input Clock Divide
  - 0: Sequencer master clock output on the PCLK pin (used for 640 (720) pixel modes)
  - 1: Master clock divided by 2 output on the PCLK pin (used for 320 (360) pixel modes)
- 4** Shift 4
  - 0: Load video shift registers every 1 or 2 character clocks (depending on bit-2 of this register)
  - 1: Load shift registers every 4th character clock.
- 5** Screen Off
  - 0: Normal Operation
  - 1: Disable video output and assign all display memory bandwidth for CPU accesses
- 7-6** Reserved (0)

**SEQUENCER PLANE/MAP MASK REGISTER (SR02)**

Read/Write at I/O Address 3C5h

Index 02h

Group 1 Protection



- 3-0** Color Plane Enable
  - 0: Write protect corresponding color plane
  - 1: Allow write to corresponding color plane

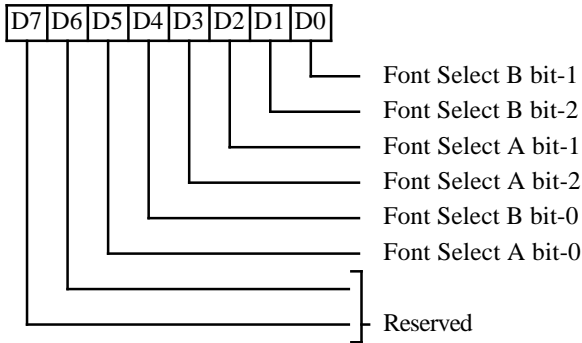
In Odd/Even and Quad modes, these bits still control access to the corresponding color plane.
- 7-4** Reserved (0)

**CHARACTER FONT SELECT REGISTER (SR03)**

Read/Write at I/O Address 3C5h

Index 03h

Group 1 Protection



In text modes, bit-3 of the video data's attribute byte normally controls the foreground intensity. This bit may be redefined to control switching between character sets. This latter function is enabled whenever there is a difference in the values of the Character Font Select A and the Character Font Select B bits. If the two values are the same, the character select function is disabled and attribute bit-3 controls the foreground intensity.

SR04 bit-1 must be 1 for the character font select function to be active. Otherwise, only character fonts 0 and 4 are available.

- 1-0** High order bits of Character Generator Select B
- 3-2** High order bits of Character Generator Select A
- 4** Low order bit of Character Generator Select B
- 5** Low order bit of Character Generator Select A
- 7-6** Reserved (0)

The following table shows the display memory plane selected by the Character Generator Select A and B bits.

Code	Character Generator Table Location
0	First 8K of Plane 2
1	Second 8K of Plane 2
2	Third 8K of Plane 2
3	Fourth 8K of Plane 2
4	Fifth 8K of Plane 2
5	Sixth 8K of Plane 2
6	Seventh 8K of Plane 2
7	Eighth 8K of Plane 2

where 'code' is:

Character Generator Select A (bits 3, 2, 5) when bit-3 of the the attribute byte is one.

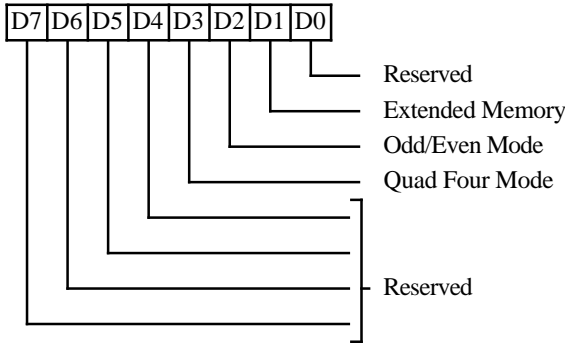
Character Generator Select B (bits 1, 0, 4) when bit-3 of the attribute byte is zero.

**SEQUENCER MEMORY MODE REGISTER (SR04)**

Read/Write at I/O Address 3C5h

Index 04h

Group 1 Protection



- 0** Reserved (0)
- 1** Extended Memory
  - 0: Restrict CPU access to 4/16/32 Kbytes
  - 1: Allow complete access to memory

This bit should normally be 1.
- 2** Odd/Even Mode
  - 0: CPU accesses to Odd/Even addresses are directed to corresponding odd/even planes
  - 1: All planes are accessed simultaneously (IRGB color)

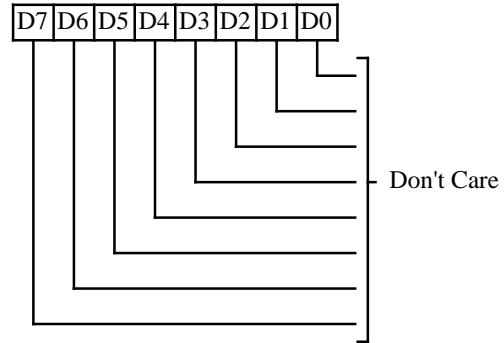
Bit-3 of this register must be 0 for this bit to be effective. This bit affects only CPU write accesses to display memory.
- 3** Quad Four Mode
  - 0: CPU addresses are mapped to display memory as defined by bit-2 of this register
  - 1: CPU addresses are mapped to display memory modulo 4. The two low order CPU address bits select the display memory plane.

This bit affects both CPU reads and writes to display memory.
- 7-4** Reserved (0)

**SEQUENCER HORIZONTAL CHARACTER COUNTER RESET (SR07)**

Read/Write at I/O Address 3C5h

Index 07h



Writing to SR07 with any data will cause the horizontal character counter to be held reset (character counter output = 0) until a write to any other sequencer register with any data value. The write to any index in the range 0-6 clears the latch that is holding the reset condition on the character counter.

The vertical line counter is clocked by a signal derived from horizontal display enable (which does not occur if the horizontal counter is held reset). Therefore, if the write to SR07 occurs during vertical retrace, the horizontal and vertical counters will both be set to zero. A write to any other sequencer register may then be used to start both counters with reasonable synchronization to an external event via software control.

*This is a standard VGA register which was not documented by IBM.*

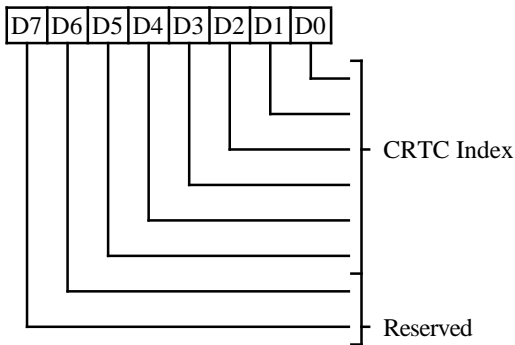
## 82C452 CRT Controller Registers

Register Mnemonic	Register Name	Index	Access	I/O Address	Protect Group	Page
CRX	CRTC Index	–	RW	3B4h/3D4h	–	36
CR00	Horizontal Total	00h	RW	3B5h/3D5h	0	36
CR01	Horizontal Display Enable End	01h	RW	3B5h/3D5h	0	36
CR02	Horizontal Blank Start	02h	RW	3B5h/3D5h	0	37
CR03	Horizontal Blank End	03h	RW	3B5h/3D5h	0	37
CR04	Horizontal Sync Start	04h	RW	3B5h/3D5h	0	38
CR05	Horizontal Sync End	05h	RW	3B5h/3D5h	0	38
CR06	Vertical Total	06h	RW	3B5h/3D5h	0	39
CR07	Overflow	07h	RW	3B5h/3D5h	0/3	40
CR08	Preset Row Scan	08h	RW	3B5h/3D5h	3	40
CR09	Maximum Scan Line	09h	RW	3B5h/3D5h	2/4	40
CR0A	Cursor Start Scan Line	0Ah	RW	3B5h/3D5h	2	41
CR0B	Cursor End Scan Line	0Bh	RW	3B5h/3D5h	2	41
CR0C	Start Address High	0Ch	RW	3B5h/3D5h	–	42
CR0D	Start Address Low	0Dh	RW	3B5h/3D5h	–	42
CR0E	Cursor Location High	0Eh	RW	3B5h/3D5h	–	42
CR0F	Cursor Location Low	0Fh	RW	3B5h/3D5h	–	42
CR10	Vertical Sync Start (See Note 2)	10h	W or RW	3B5h/3D5h	4	43
CR11	Vertical Sync End (See Note 2)	11h	W or RW	3B5h/3D5h	3/4	43
CR10	Lightpen High (See Note 2)	10h	R	3B5h/3D5h	–	43
CR11	Lightpen Low (See Note 2)	11h	R	3B5h/3D5h	–	43
CR12	Vertical Display Enable End	12h	RW	3B5h/3D5h	4	44
CR13	Offset	13h	RW	3B5h/3D5h	3	44
CR14	Underline Row	14h	RW	3B5h/3D5h	3	44
CR15	Vertical Blank Start	15h	RW	3B5h/3D5h	4	45
CR16	Vertical Blank End	16h	RW	3B5h/3D5h	4	45
CR17	CRT Mode Control	17h	RW	3B5h/3D5h	3/4	46
CR18	Line Compare	18h	RW	3B5h/3D5h	3	47
CR22	Memory Data Latches	22h	R	3B5h/3D5h	–	48
CR24	Attribute Controller Toggle	24h	R	3B5h/3D5h	–	48
CR3X	Clear Vertical Display Enable	3xh	W	3B5h/3D5h	–	48

Note 1: When MDA or Hercules emulation is enabled, the CRTC I/O address should be set to 3B0h-3B7h by setting the I/O address select bit in the Miscellaneous Output register (3C2h/3CCh bit-0) to zero. When CGA emulation is enabled, the CRTC I/O address should be set to 3D0h-3D7h by setting Misc Output Register bit-0 to 1.

Note 2: In both the EGA and VGA, the light pen registers are at index locations conflicting with the vertical sync registers. This would normally prevent reads and writes from occurring at the same index. Since the light pen registers are not normally useful, the VGA provides software control (CR03D7) of whether the vertical sync or light pen registers are readable at indices 10-11.

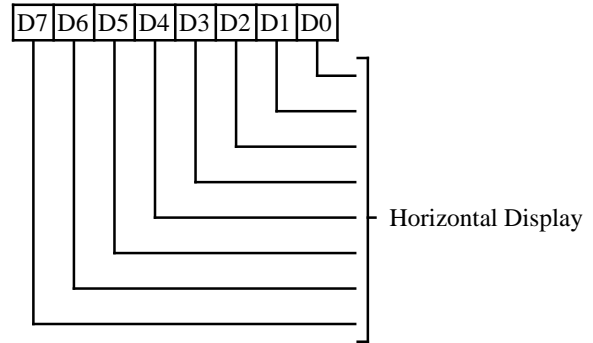
**CRTC INDEX REGISTER (CRX)**  
 Read/Write at I/O Address 3B4h/3D4h



- 5-0** CRTC data register index
- 7-6** Reserved (0)

**HORIZONTAL DISPLAY ENABLE END REGISTER (CR01)**

Read/Write at I/O Address 3B5h/3D5h  
 Index 01h  
 Group 0 protection

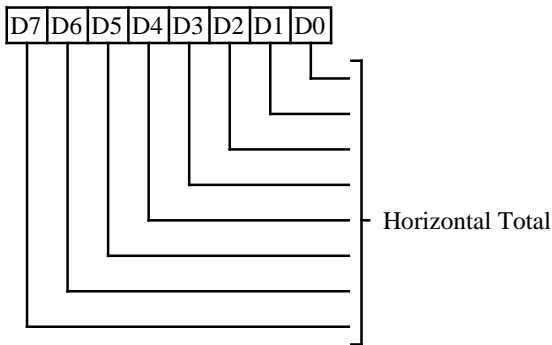


This register is used for all VGA and EGA modes on CRTs. It is also used for 640 column CGA modes and MDA/Hercules text mode. In all 320 column CGA modes and Hercules graphics mode, the alternate register is used.

- 7-0** Number of Characters displayed per scan line - 1.

**HORIZONTAL TOTAL REGISTER (CR00)**

Read/Write at I/O Address 3B5h/3D5h  
 Index 00h  
 Group 0 protection



This register is used for all VGA and EGA modes. It is also used for 640 column CGA modes and MDA/Hercules text mode. In all 320 column CGA modes and Hercules graphics mode, the alternate register is used.

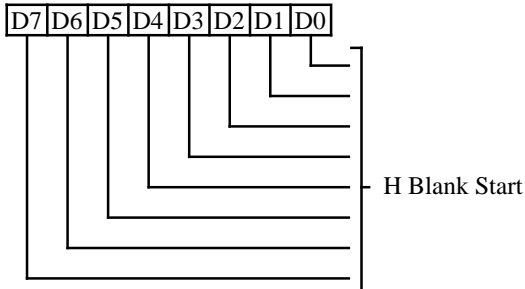
- 7-0** Horizontal Total. Total number of character clocks per line = contents of this register + 5. This register determines the horizontal sweep rate.

### HORIZONTAL BLANK START REGISTER (CR02)

Read/Write at I/O Address 3B5h/3D5h

Index 02h

Group 0 protection



This register is used for all VGA and EGA modes. It is also used for 640 column CGA modes and MDA/Hercules text mode. In all 320 column CGA modes and Hercules graphics mode, the alternate register is used.

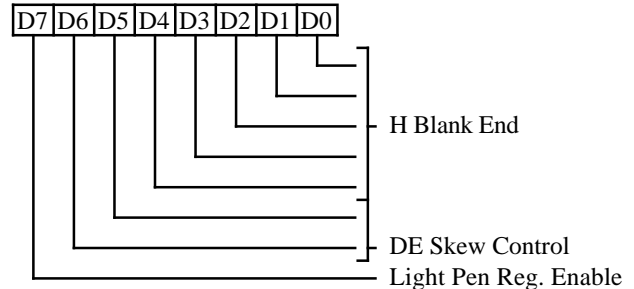
- 7-0** These bits specify the beginning of horizontal blank in terms of character clocks from the beginning of the display scan. The period between Horizontal Display Enable End and Horizontal Blank Start is the right side border on screen.

### HORIZONTAL BLANK END REGISTER (CR03)

Read/Write at I/O Address 3B5h/3D5h

Index 03h

Group 0 protection



This register is used for all VGA and EGA modes. It is also used for 640 column CGA modes and MDA/Hercules text mode. In all 320 column CGA modes and Hercules graphics mode, the alternate register is used.

- 4-0** These are the lower 5 bits of the character clock count used to define the end of horizontal blank. The interval between the end of horizontal blank and the beginning of the display (a count of 0) is the left side border on the screen. The horizontal blanking width,  $W$ , is: Value in Start Blanking Register +  $W = 6$ -bit value. Lower 5 bits programmed in this register, 6th bit programmed in bit 7 of CR05.
- 6-5** Display Enable Skew Control: Defines the number of character clocks that the Display Enable signal is delayed to compensate for internal pipeline delays.
- 7** Light Pen Reg. Enable: Must be 1 for normal operation; when this bit is 0, CRTC registers CR10 and CR11 function as lightpen readback registers.

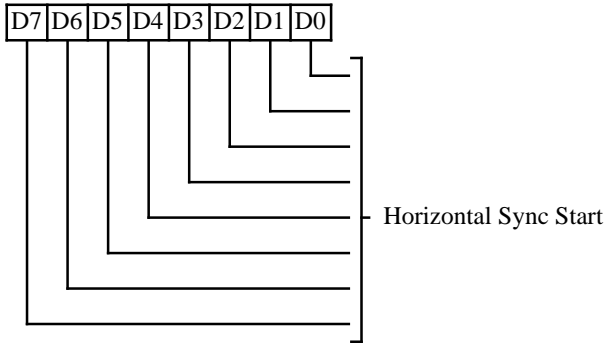


**HORIZONTAL SYNC START REGISTER (CR04)**

Read/Write at I/O Address 3B5h/3D5h

Index 04h

Group 0 protection



This register is used for all VGA and EGA modes. It is also used for 640 column CGA modes and MDA/Hercules text mode. In all 320 column CGA modes and Hercules graphics mode, the alternate register is used.

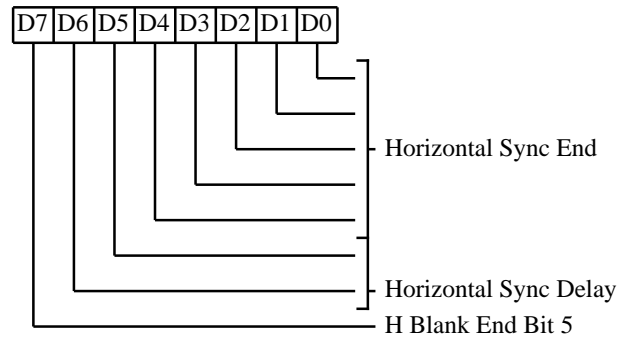
- 7-0** These bits specify the beginning of HSYNC in terms of Character clocks from the beginning of the display scan. These bits also determine display centering on the screen.

**HORIZONTAL SYNC END REGISTER (CR05)**

Read/Write at I/O Address 3B5h/3D5h

Index 05h

Group 0 protection



This register is used for all VGA and EGA modes. It is also used for 640 column CGA modes and MDA/Hercules text mode. In all 320 column CGA modes and Hercules graphics mode, the alternate register is used.

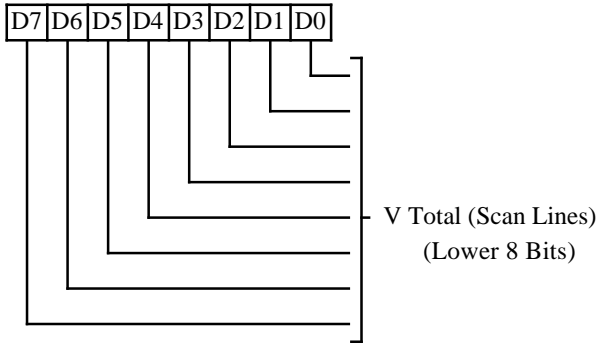
- 4-0** HSYNC End. Lower 5 bits of the character clock count which specifies the end of Horizontal Sync. The horizontal sync width, W, is: Value in Start Retrace Register + W = 5-bit value to be programmed in this register.
- 6-5** Horizontal Sync Delay. These bits specify the number of character clocks that the Horizontal Sync is delayed to compensate for internal pipeline delays.
- 7** Horizontal Blank End Bit 5. Sixth bit of the Horizontal Blank End Register (CR03).

**VERTICAL TOTAL REGISTER (CR06)**

Read/Write at I/O Address 3B5h/3D5h

Index 06h

Group 0 protection



This register is used in all modes.

- 7-0** These are the 8 low order bits of a 10-bit register. The 9th and 10th bits are located in the CRT Controller Overflow Register. The Vertical Total value specifies the total number of scan lines (horizontal retrace periods) per frame.

$$\text{Programmed Count} = \text{Actual Count} - 2$$

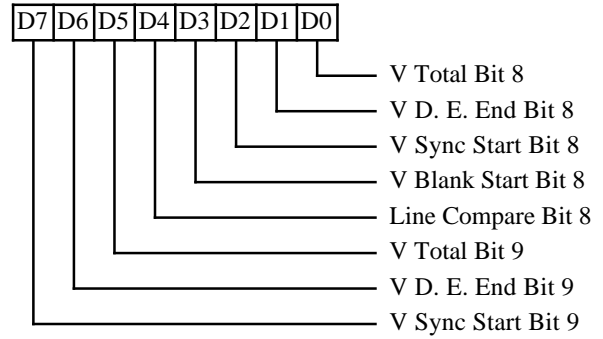
**OVERFLOW REGISTER (CR07)**

Read/Write at I/O Address 3B5h/3D5h

Index 07h

Group 0 protection on bits 0-3 and bits 5-7

Group 3 protection on bit 4



This register is used in all modes.

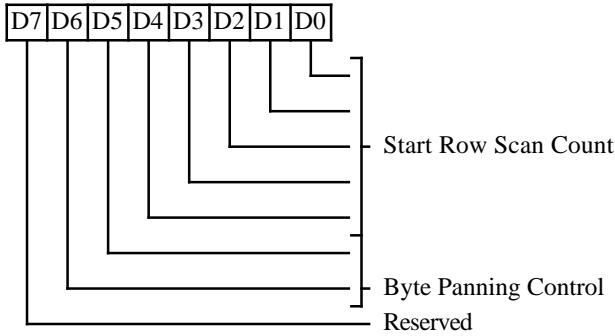
- 0** Vertical Total Bit 8
- 1** Vertical Display Enable End Bit 8
- 2** Vertical Sync Start Bit 8
- 3** Vertical Blank Start Bit 8
- 4** Line Compare Bit 8
- 5** Vertical Total Bit 9
- 6** Vertical Display Enable End Bit 9
- 7** Vertical Sync Start Bit 9

**PRESET ROW SCAN REGISTER (CR08)**

Read/Write at I/O Address 3B5h/3D5h

Index 08h

Group 3 Protection



- 4-0** These bits specify the starting row scan count after each vertical retrace. Every horizontal retrace increments the character row scan line counter. The horizontal row scan counter is cleared at maximum row scan count during active display. This register is used for soft scrolling in text modes.
- 6-5** Byte Panning Control. These bits specify the lower order bits for the display start address. They are used for horizontal panning in Odd/Even and Quad modes.
- 7** Reserved (0)

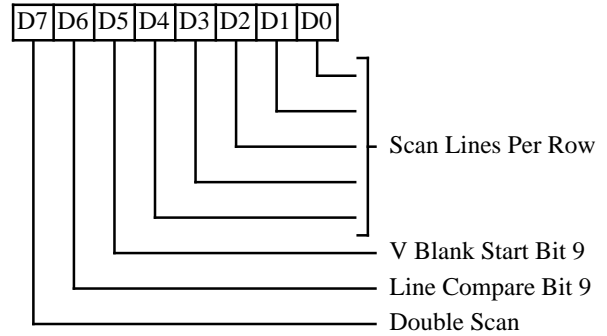
**MAXIMUM SCAN LINE REGISTER (CR09)**

Read/Write at I/O Address 3B5h/3D5h

Index 09h

Group 2 protection on bits 0-4

Group 4 Protection on bit 5-7



- 4-0** These bits specify the number of scan lines in a row: Number of scan lines per row = value + 1.
- 5** Bit 9 of the Vertical Blank Start register
- 6** Bit 9 of the Line Compare register
- 7** Double Scan
  - 0: Normal Operation
  - 1: Enable scan line doubling

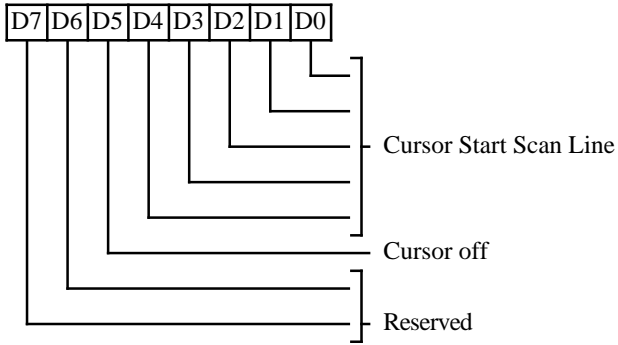
The vertical parameters in the CRT Controller (even for a split screen) are not affected, only the CRT row scan counter (bits 0-4 of this register) and display memory addressing screen refresh are affected.

**CURSOR START SCAN LINE REGISTER (CR0A)**

Read/Write at I/O Address 3B5h/3D5h

Index 0Ah

Group 2 Protection



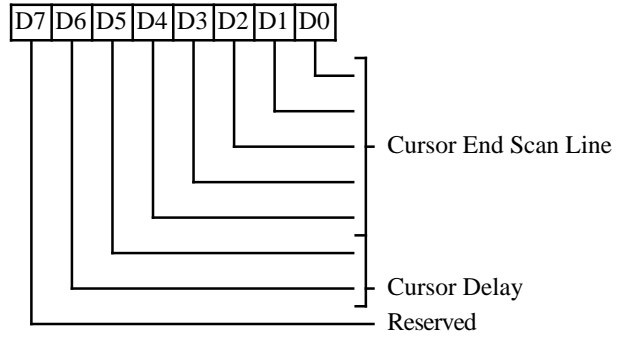
- 4-0** These bits specify the scan line of the character row where the cursor display begins.
- 5** Cursor Off
  - 0: Text Cursor On
  - 1: Text Cursor Off
- 7-6** Reserved (0)

**CURSOR END SCAN LINE REGISTER (CR0B)**

Read/Write at I/O Address 3B5h/3D5h

Index 0Bh

Group 2 protection

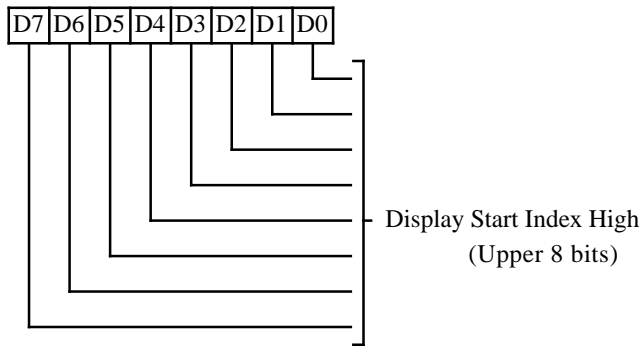


- 4-0** These bits specify the scan line of a character row where the cursor display ends: Last scan line for the block cursor = Value + 1.
- 6-5** These bits define the number of character clocks that the cursor is delayed to compensate for internal pipeline delay.
- 7** Reserved (0)

Note: If the Cursor Start Line is greater than the Cursor End Line, then no cursor is generated.

**START INDEX HIGH REGISTER (CR0C)**

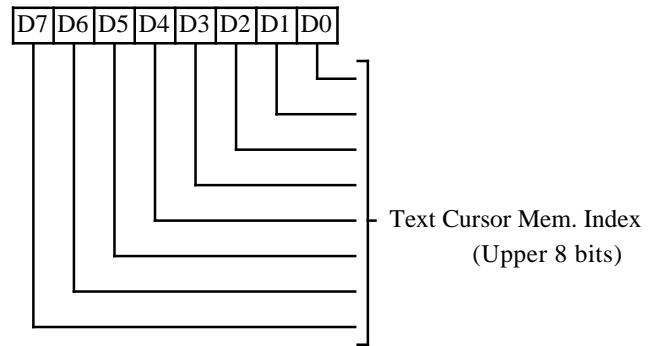
Read/Write at I/O Address 3B5h/3D5h  
Index 0Ch



**7-0** Upper 8 bits of display start address. In CGA/MDA/Hercules modes, this register wraps around at the 16, 32, and 64 K byte boundaries respectively.

**CURSOR LOCATION HIGH REGISTER (CR0E)**

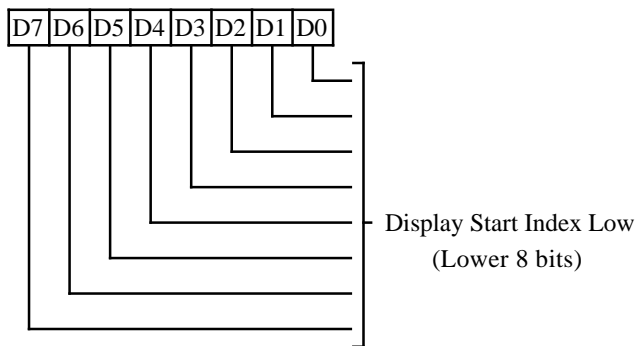
Read/Write at I/O Address 3B5h/3D5h  
Index 0Eh



**7-0** Upper 8 bits of the memory address where the text cursor is active. In CGA/MDA/Hercules modes, this register wraps around at 16, 32, and 64 K byte boundaries respectively.

**START INDEX LOW REGISTER (CR0D)**

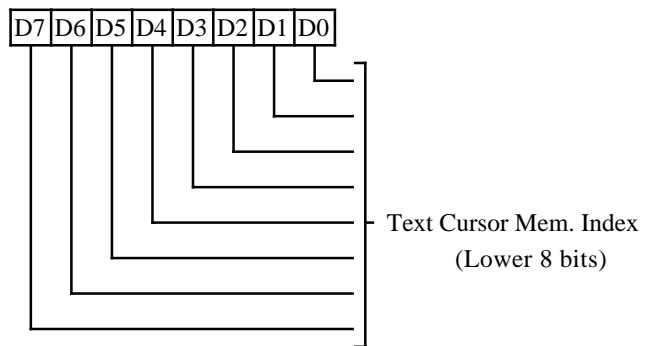
Read/Write at I/O Address 3B5h/3D5h  
Index 0Dh



**7-0** Lower 8 bits of the display start address. The display start address points to the memory address corresponding to the top left corner of the screen.

**CURSOR LOCATION LOW REGISTER (CR0F)**

Read/Write at I/O Address 3B5h/3D5h  
Index 0Fh



**7-0** Lower 8 bits of the memory address where the text cursor is active. In CGA/MDA/Hercules modes, this register wraps around at 16, 32, and 64 K byte boundaries respectively.

**LIGHTPEN HIGH REGISTER (CR10)**

Read only at I/O Address 3B5h/3D5h  
Index 10h

Read-only Register loaded at line compare (the light pen flip-flop is not implemented). Effective only in MDA and Hercules modes or when CR03 bit-7 = 0.

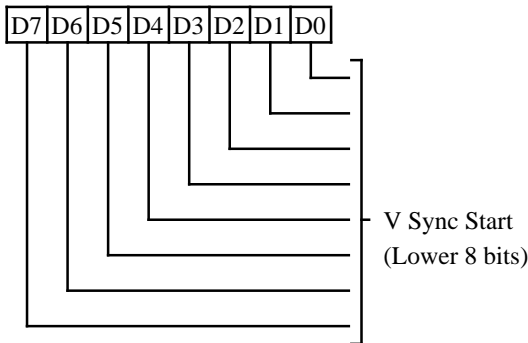
**LIGHTPEN LOW REGISTER (CR11)**

Read only at I/O Address 3B5h/3D5h  
Index 11h

Read-only Register loaded at line compare (the light pen flip-flop is not implemented). Effective only in MDA and Hercules modes or when CR03 bit-7 = 0.

**VERTICAL SYNC START REGISTER (CR10)**

Read/Write at I/O Address 3B5h/3D5h  
Index 10h  
Group 4 Protection



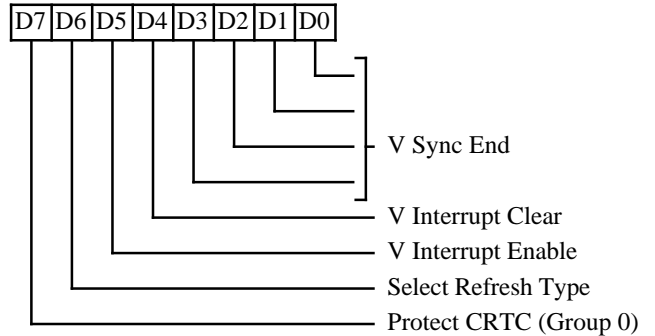
This register is used in all modes. This register is not readable in MDA/Hercules emulation or when CR03 D7=1.

- 7-0** The eight low order bits of a 10-bit register. The 9th and 10th bits are located in the CRTC Overflow Register. They define the scan line position at which Vertical Sync becomes active.

**VERTICAL SYNC END REGISTER (CR11)**

Read/Write at I/O Address 3B5h/3D5h  
Index 11h

Group 3 Protection for bits 4 and 5  
Group 4 Protection for bits 0-3, 6 and 7



This register is used in all modes. This register is not readable in MDA/Hercules emulation or when CR03D7=1.

- 3-0** Vertical Sync End. Lower 4 bits of the scan line count that defines the end of vertical sync. The vertical sync width, W, is: Value in vertical sync start register + W= 4-bit value to be programmed in this register.
- 4** Vertical Interrupt Clear. 0=Clear vertical interrupt generated on the IRQ output; 1=Normal operation. This bit is cleared by RESET.
- 5** Vertical Interrupt Enable. 0: Enable vertical interrupt; 1: Disable vertical interrupt. This bit is cleared by RESET.
- 6** Select Refresh Type:
  - 0: 3 refresh cycles per scan line
  - 1: 5 refresh cycles per scan line
- 7** Group Protect 0. This bit is logically ORed with XR15D6 to determine the protection for group 0 registers. This bit is cleared by RESET.
  - 0: Enable writes to CR00-CR07
  - 1: Disable writes to CR00-CR07

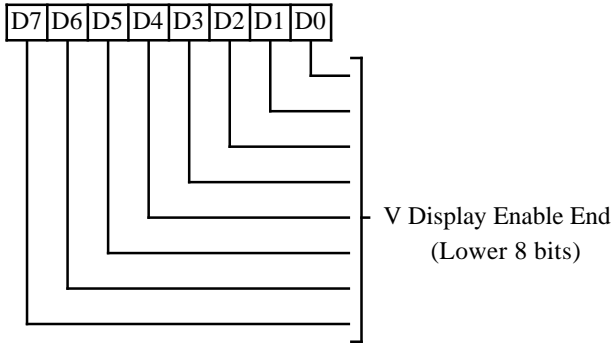
CR07 D4 (Line Compare bit-8) is not affected by this bit.

**VERTICAL DISPLAY ENABLE END REGISTER (CR12)**

Read/Write at I/O Address 3B5h/3D5h

Index 12h

Group 4 protection



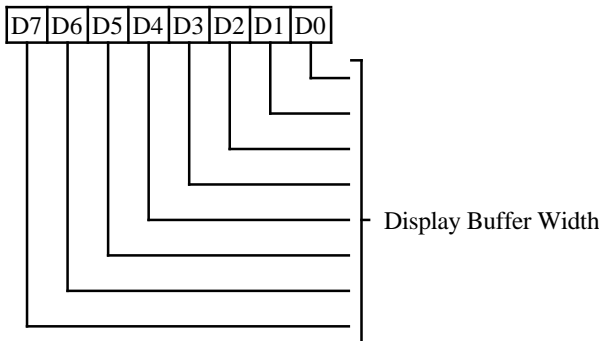
**7-0** These are the eight low order bits of a 10-bit register. The 9th and 10th bits are located in the CRT Controller Overflow register. The actual count = Contents of this register + 1.

**OFFSET REGISTER (CR13)**

Read/Write at I/O Address 3B5h/3D5h

Index 13h

Group 3 protection



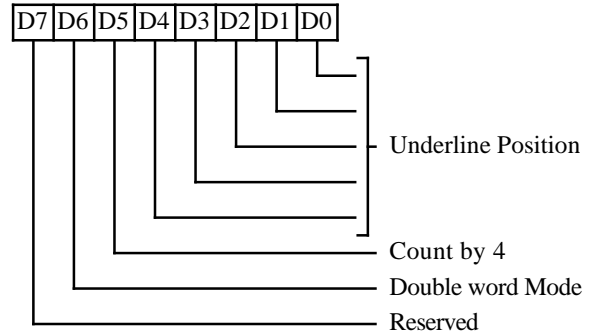
**7-0** Display Buffer Width. The byte starting address of the next display row = Byte Start Address for current row + K x (CR13), where K = 2 in byte mode, K = 4 in word mode. Byte, word and double word mode is selected by bit-6 of CR17 and bit-6 of CR14. A less significant bit than bit-0 of this register is defined in the Auxiliary Offset register (XR0D). This allows finer resolution of the bit map width. Byte, Word and Double word mode affects the translation of the 'logical' display memory address to the 'physical' display memory address.

**UNDERLINE LOCATION REGISTER (CR14)**

Read/Write at I/O Address 3B5h/3D5h

Index 14h

Group 3 protection



**4-0** These bits specify the underline's scan line position within a character row. Value = Actual scan line number - 1.

**5** Count by 4 for Double word Mode. 0: Frame Buffer Address is incremented by 1 or 2; 1: Frame Buffer Address is incremented by 4 or 2. See CR17 D3 for further details.

**6** Double word Mode. 0: Frame Buffer Address is byte or word address; 1: Frame Buffer Address is doubleword address. Used in conjunction with CR17 D6 to select the display memory addressing mode.

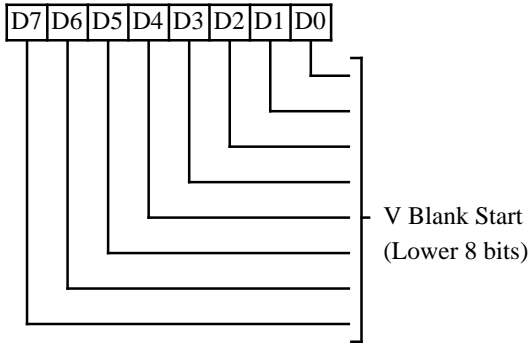
**7** Reserved (0)

**VERTICAL BLANK START REGISTER (CR15)**

Read/Write at I/O Address 3B5h/3D5h

Index 15h

Group 4 protection



This register is used in all modes.

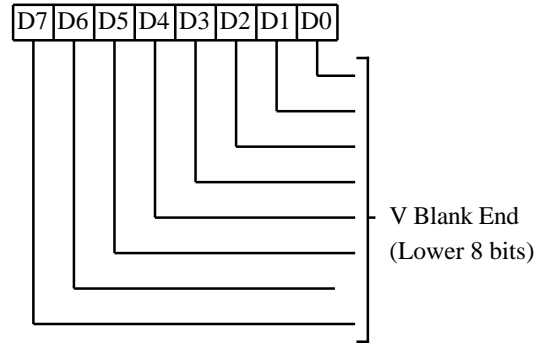
- 7-0** These are the 8 low order bits of a 10-bit register. The 9th and 10th bits are located in the CRT Controller Overflow and Maximum Scan Line Registers respectively. Together these 10 bits define the scan line position where vertical blank begins. The interval between the end of the vertical display and the beginning of vertical blank is the bottom border on the screen.

**VERTICAL BLANK END REGISTER (CR16)**

Read/Write at I/O Address 3B5h/3D5h

Index 16h

Group 4 protection



This register is used in all modes.

- 7-0** End Vertical Blank. These are the 8 low order bits of the scan line count which specifies the end of Vertical Blank. The vertical blank width, W, is: Value in Start Blanking Register - 1 + W = 8 bit value to be programmed in the register.



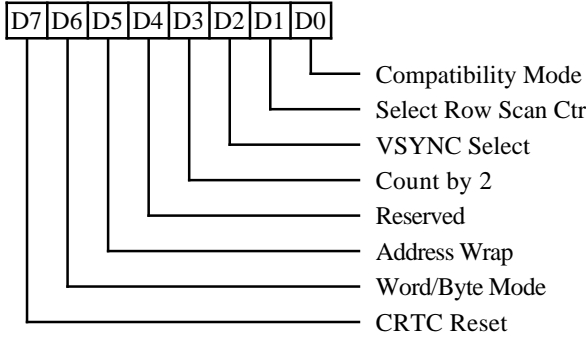
**CRT MODE CONTROL REGISTER (CR17)**

Read/Write at I/O Address 3B5h/3D5h

Index 17h

Group 3 Protection for bits 0,1 and 3-7

Group 4 Protection for bit 2.



- 0 Compatibility Mode Support. This bit allows compatibility with the IBM CGA two-bank graphics mode. 0: The character row scan line counter bit 0 is substituted for memory address bit 13 during active display time; 1: normal operation, no substitution takes place.
- 1 Select Row Scan Counter. This bit allows compatibility with Hercules graphics and with any other 4-bank graphics system. 0: Substitute character row scan line counter bit 1 for memory address bit 14 during active display time; 1: normal operation, no substitution takes place.
- 2 Vertical Sync Select. This bit controls the vertical resolution of the CRT Controller by permitting selection of the clock rate input to the vertical counters. When set to 1, the vertical counters are clocked by the horizontal retrace clock divided by 2.
- 3 Count By Two
  - 0: Memory address counter is incremented every character clock
  - 1: Memory address counter is incremented every two character clocks, used in conjunction with bit 5 of 0Fh.

**Note:** This bit is used in conjunction with CR14D5. The net effect is as follows:

CR14 D5	CR17 D3	Increment Addressing Every
0	0	1 CCLK
0	1	2 CCLK
1	0	4 CCLK
1	1	2 CCLK

Note: In Hercules graphics and Hi-res CGA modes, the address increments every two clocks.

- 4 Reserved (0)
- 5 Address Wrap (effective only in word mode.)
  - 0: Wrap display memory address at 16 Kbytes. This is used in IBM CGA mode.
  - 1: Normal operation (extended mode).
- 6 Word Mode or Byte Mode. 0: Word Mode is selected. In this mode the display memory address counter bits are shifted down by one, causing the most-significant bit of the counter to appear on the least-significant bit of the display memory address output; 1: Select byte mode.

Note: This bit is used in conjunction with CR14D6 to select byte, word, or double word memory addressing as follows:

CR14 D6	CR17 D6	Addressing Mode
0	0	Word Mode
0	1	Byte Mode
1	0	Double Word Mode
1	1	Double Word Mode

Display memory addresses are affected as shown in the table on the following page.

- 7 Hardware Reset (This bit is cleared by RESET)
  - 0: Force HSYNC and VSYNC to be inactive. No other registers or outputs affected.
  - 1: Normal Operation.

(continued on following page)

Display memory addresses are affected by CR17 D6 as shown in the table below:

Logical Memory Address	Physical Memory Address		
	Byte Mode	Word Mode	Double Word Mode
MA00	A00	Note 1	Note 2
MA01	A01	A00	Note 3
MA02	A02	A01	A00
MA03	A03	A02	A01
MA04	A04	A03	A02
MA05	A05	A04	A03
MA06	A06	A05	A04
MA07	A07	A06	A05
MA08	A08	A07	A06
MA09	A09	A08	A07
MA10	A10	A09	A08
MA11	A11	A10	A09
MA12	A12	A11	A10
MA13	A13	A12	A11
MA14	A14	A13	A12
MA15	A15	A14	A13

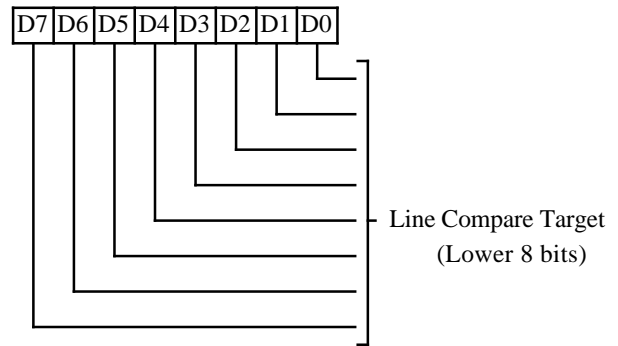
Note 1 =  $A13 * \text{NOT CR17 D5} + A15 * \text{CR17 D5}$   
 Note 2 =  $A12 \times$  or  $(A14 * \text{XR04 D2})$   
 Note 3 =  $A13 \times$  or  $(A15 * \text{XR04 D2})$

**LINE COMPARE REGISTER (CR18)**

Read/Write at I/O Address 3B5h/3D5h

Index 18h

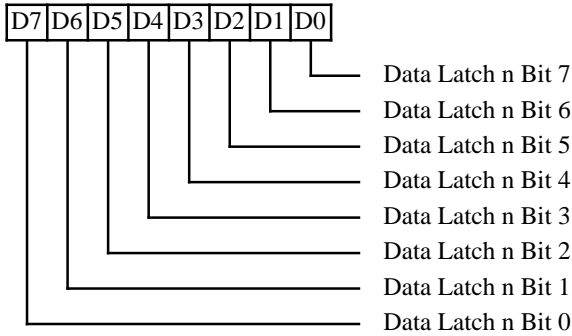
Group 3 protection



**7-0** These are the low order 8 bits of a 10-bit register. The 9th and 10th bits are located in the CRT Controller Overflow and Maximum Scan Line Registers, respectively. This register is used to implement a split screen function. When the scan line counter value is equal to the contents of this register, the memory address counter is cleared to 0. The display memory address counter then sequentially addresses the display memory starting at address 0. Each subsequent row address is generated by the addition of the Offset Register contents. This register is not affected by the double scanning bit (CR09 D7).

**MEMORY DATA LATCH REGISTER (CR22)**

Read only at I/O Address 3B5h/3D5h  
Index 22h



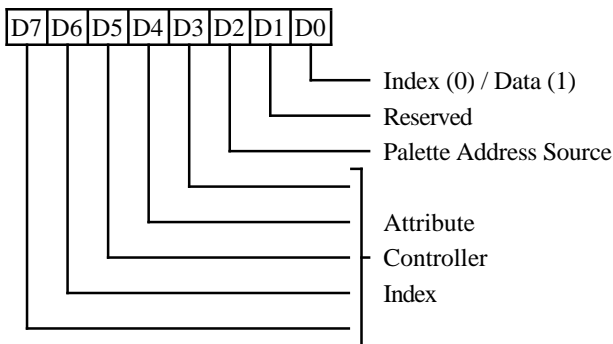
This register may be used to read the state of Graphics Controller Memory Data Latch 'n', where 'n' is controlled by the Graphics Controller Read Map Select Register (GR04 D0 & D1) and is in the range 0-3.

Writes to this register are not decoded and will be ignored.

*This is a standard VGA register which was not documented by IBM.*

**ATTRIBUTE CONTROLLER TOGGLE REGISTER (CR24)**

Read only at I/O Address 3B5h/3D5h  
Index 24h



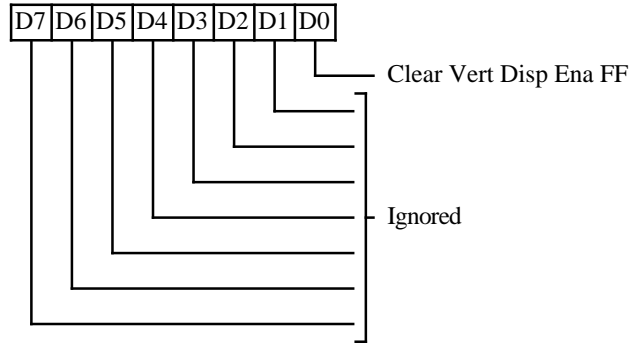
This register may be used to read back the state of the attribute controller index/data latch.

Writes to this register are not decoded and will be ignored.

*This is a standard VGA register which was not documented by IBM.*

**CLEAR VERTICAL DISPLAY ENABLE FFh (CR3X)**

Write only at I/O Address 3B5h/3D5h  
Index 3xh



Writing odd data values to CRTC index 30-3Fh causes the vertical display enable flip-flop to be cleared. The flip-flop is automatically set by reaching vertical total. The effect of this is to force a longer vertical retrace period. There are two side effects of terminating vertical display enable early: first, the screen blanks early for one frame causing a minor visual disturbance and second, the sequencer gives more display memory cycles to the CPU because vertical display is not enabled.

Reads from this register are not decoded and will return indeterminate data.

*This is a standard VGA register which was not documented by IBM.*

**Write Protect Register Grouping For CRT Registers**

<b>Register Number</b>	<b>Group 0</b>	<b>Group 2</b>	<b>Group 3</b>	<b>Group 4</b>	<b>Unprotected</b>
CR00	Yes	-	-	-	-
CR01	-	Yes	-	-	-
CR02	Yes	-	-	-	-
CR03	Yes	-	-	-	-
CR04	Yes	-	-	-	-
CR05	Yes	-	-	-	-
CR06	Yes	-	-	-	-
CR07	Bits 0-3, 5-7	-	Bit 4	-	-
CR08	-	-	Yes	-	-
CR09	-	Bits 0-4	-	Bits 5-7	-
CR0A	-	Yes	-	-	-
CR0B	-	Yes	-	-	-
CR0C	-	-	-	-	Yes
CR0D	-	-	-	-	Yes
CR0E	-	-	-	-	Yes
CR0F	-	-	-	-	Yes
CR10	-	-	-	Yes	-
CR11	-	-	Bits 4-5	0-3,6	-
CR12	-	-	Yes	-	-
CR13	-	-	Yes	-	-
CR14	-	-	Yes	-	-
CR15	-	-	-	Yes	-
CR16	-	-	-	Yes	-
CR17	-	-	0,1,3-7	Bit 2	-
CR18	-	-	Yes	-	-

**NOTE:** All the registers at address 3Cx fall under group 1.

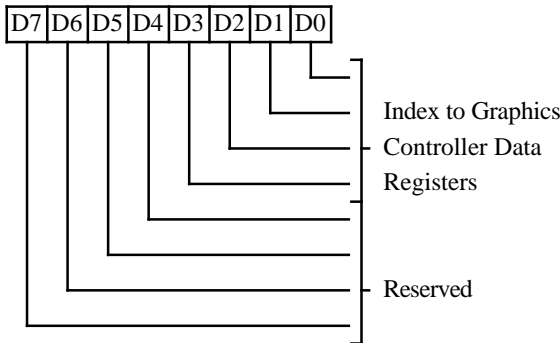
*This page was intentionally left  
blank*

## 82C452 Graphics Controller Registers

Register Mnemonic	Register Name	Index	Access	I/O Address	Protect Group	Page
GRX	Graphics Index	–	RW	3CEh	1	51
GR00	Set/Reset	00h	RW	3CFh	1	51
GR01	Enable Set/Reset	01h	RW	3CFh	1	52
GR02	Color Compare	02h	RW	3CFh	1	52
GR03	Data Rotate	03h	RW	3CFh	1	53
GR04	Read Map Select	04h	RW	3CFh	1	53
GR05	Graphics mode	05h	RW	3CFh	1	54
GR06	Miscellaneous	06h	RW	3CFh	1	56
GR07	Color Don't Care	07h	RW	3CFh	1	56
GR08	Bit Mask	08h	RW	3CFh	1	57

### GRAPHICS CONTROLLER INDEX REGISTER (GRX)

Read/Write at I/O Address 3CEh  
Group 1 Protection

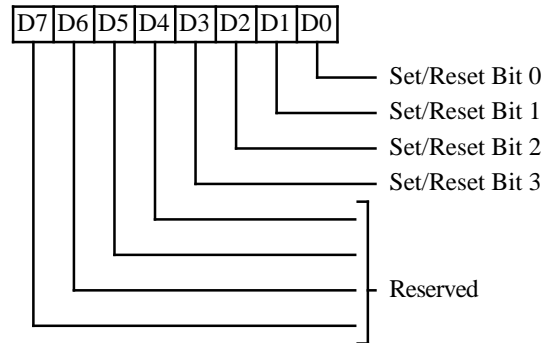


**3-0** 4-bit index to Graphics Controller registers

**7-4** Reserved (0)

### SET/RESET REGISTER (GR00)

Read/Write at I/O Address 3CFh  
Index 00h  
Group 1 Protection



The SET/RESET and ENABLE SET/RESET registers are used to 'expand' 8 bits of CPU data to 32 bits of display memory.

**3-0** When the Graphics Mode register selects Write Mode 0, all 8 bits of each display memory plane are set as specified in the corresponding bit in this register. The Enable Set/Rest register (GR01) allows selection of some of the source of data to be written to individual planes. In Write Mode 3 (see GR05), these bits determine the color value.

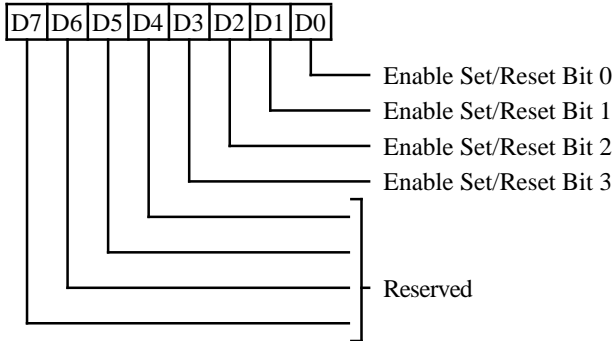
**7-4** Reserved (0)

**ENABLE SET/RESET REGISTER (GR01)**

Read/Write at I/O Address 3CFh

Index 01h

Group 1 Protection



**3-0** This register works in conjunction with the Set/Reset register (GR00). The Graphics Mode register must be programmed to Write Mode 0 in order for this register to have any effect.

0: The corresponding plane is written with the data from the CPU data bus

1: The corresponding plane is set to 0 or 1 as specified in the Set/Reset Register

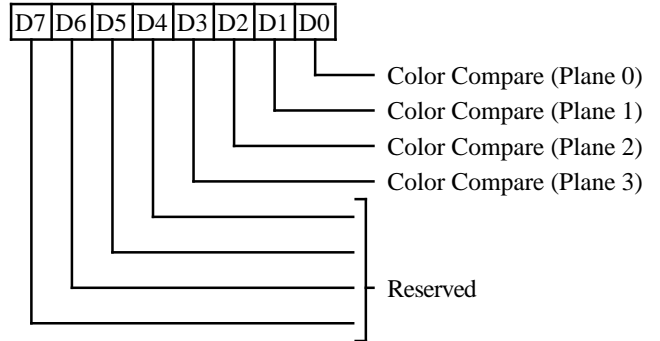
**7-4** Reserved (0)

**COLOR COMPARE REGISTER (GR02)**

Read/Write at I/O Address 3CFh

Index 02h

Group 1 Protection

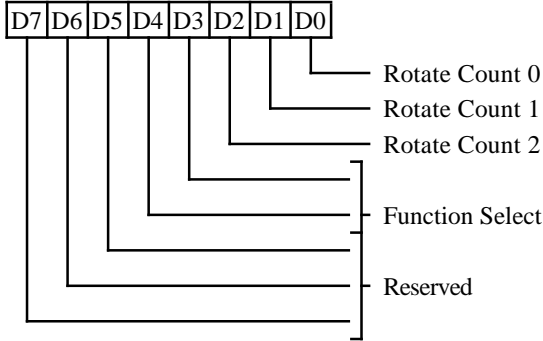


**3-0** This register is used to 'reduce' 32 bits of memory data to 8 bits for the CPU in 4-plane graphics mode. These bits provide a reference color value to compare to data read from display memory planes 0-3. The Color Don't Care register (GR07) is used to affect the result. This register is active only if the Graphics Mode register (GR05) is set to Read Mode 1. A match between the memory data and the Color Compare register (GR02) (for the bits specified in the Color Don't Care register) causes a logical 1 to be placed on the CPU data bus for the corresponding data bit, a mis-match returns a logical 0.

**7-4** Reserved (0)

**DATA ROTATE REGISTER (GR03)**

Read/Write at I/O Address 3CFh  
 Index 03h  
 Group 1 Protection



**2-0** These bits specify the number of bits to rotate to the right the data being written by the CPU. The CPU data bits are first rotated, then subjected to the logical operation as specified in the Function Select bit field. The rotate function is active only if the Graphics Mode register is programmed for Write Mode 0.

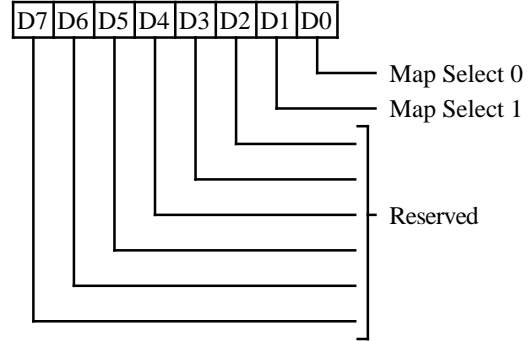
**4-3** These Function Select bits specify the logical function performed on the contents of the processor latches (loaded on a previous CPU read cycle) before the data is written to display memory. These bits operate as follows:

Bit 4	Bit 3	Result
0	0	No change to the Data, Latches are updated;
0	1	Logical 'AND' between Data and latched data;
1	0	Logical 'OR' between Data and latched data;
1	1	Logical 'XOR' between Data and latched data.

**7-5** Reserved (0)

**READ MAP SELECT REGISTER (GR04)**

Read/Write at I/O Address 3CFh  
 Index 04h  
 Group 1 Protection



**1-0** This register is also used to 'reduce' 32 bits of memory data to 8 bits for the CPU in the 4-plane graphics mode. These bits select the memory plane from which the CPU reads data in Read Mode 0. In Odd/Even mode, bit-0 is ignored. In Quad mode, bits 0 and 1 are both ignored.

The four memory maps are selected as follows:

Bit 1	Bit 0	Map Selected
0	0	Plane 0
0	1	Plane 1
1	0	Plane 2
1	1	Plane 3

**7-2** Reserved (0)

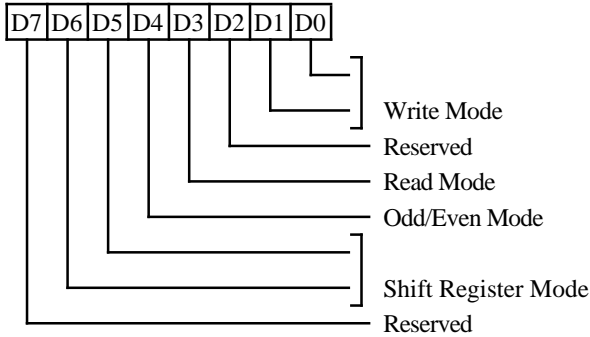


**GRAPHICS MODE REGISTER (GR05)**

Read/Write at I/O Address 3CFh

Index 05h

Group 1 Protection



**1-0** These bits specify the Write Mode as follows: (For 16-bit writes, the operation is repeated on the lower and upper bytes of CPU data).

D1	D0	Write Mode
0	0	<b>Write mode 0.</b> Each of the four display memory planes is written with the CPU data rotated by the number of counts in the Rotate Register, except when the Set/Reset Register is enabled for any of the four planes. When the Set/Reset Register is enabled, the corresponding plane is written with the data stored in the Set/Reset Register.
0	1	<b>Write mode 1.</b> Each of the four display memory planes is written with the data previously loaded in the processor latches. These latches are loaded during all read operations.
1	0	<b>Write mode 2.</b> The CPU data bus data is treated as the color value for the addressed byte in planes 0-3. All eight pixels in the addressed byte are modified unless protected by the Bit Mask register setting. A logical 1 in the Bit Mask register sets the corresponding pixel in the addressed byte to the color specified on the data bus. A 0 in the Bit Mask register sets the corresponding pixel in the addressed byte to the corresponding pixel in the

processor latches. The Set/Reset and Enable Set/Reset registers are ignored. The Function Select bits in the Data Rotate register are used.

**1 1 Write mode 3.** The CPU data is rotated then logically ANDed with the contents of the Bit Mask register (GR08) and then treated as the addressed data's bit mask, while the contents of the Set/Reset register is treated as the color value.

A '0' on the data bus (mask) causes the corresponding pixel in the addressed byte to be set to the corresponding pixel in the processor latches.

A '1' on the data bus (mask) causes the corresponding pixel in the addressed byte to be set to the color value specified in the Set/Reset register.

The Enable Set/Reset register is ignored. The Data Rotate is used. This write mode can be used to fill an area with a single color and pattern.

- 2 Reserved (0)
- 3 This bit specifies the Read Mode as follows:
  - 0: The CPU reads data from one of the planes as selected in the Read Map Select register.
  - 1: The CPU reads the 8-bit result of the logical comparison between all eight pixels in the four display planes and the contents of the Color Compare and Color Don't Care registers. The CPU reads a logical 1 if a match occurs for each pixel and logical 0 if a mis-match occurs. In 16-bit read cycles, this operation is repeated on the lower and upper bytes.

(Continued on following page)

4 Odd/Even Mode:

0: All CPU addresses sequentially access all planes

1: Even CPU addresses access planes 0 and 2, while odd CPU addresses access planes 1 and 3. This option is useful for IBM CGA-compatible memory organization.

6-5 Shift Register Mode. These two bits select the data shift pattern used when passing data from the four memory planes through the four video shift registers. If the data bits in the memory planes (0-3) are represented as M0D0-M0D7, M1D0-M1D7, M2D0-M2D7, and M3D0-M3D7 respectively, then the data in the serial shift registers is shifted out as follows:

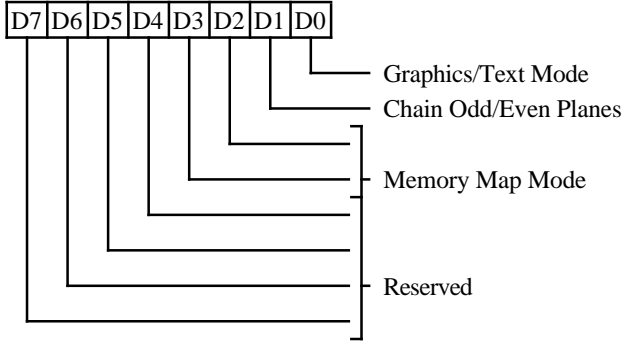
65	Last Bit Shifted Out	Shift Direction →							1st Bit Shifted Out	Out- put to:
00:	M0D0	M0D1	M0D2	M0D3	M0D4	M0D5	M0D6	M0D7	Bit0	
	M1D0	M1D1	M1D2	M1D3	M1D4	M1D5	M1D6	M1D7	Bit1	
	M2D0	M2D1	M2D2	M2D3	M2D4	M2D5	M2D6	M2D7	Bit2	
	M3D0	M3D1	M3D2	M3D3	M3D4	M3D5	M3D6	M3D7	Bit3	
01:	M1D0	M1D2	M1D4	M1D6	M0D0	M0D2	M0D4	M0D6	Bit0	
	M1D1	M1D3	M1D5	M1D7	M0D1	M0D3	M0D5	M0D7	Bit1	
	M3D0	M3D2	M3D4	M3D6	M2D0	M2D2	M2D4	M2D6	Bit2	
	M3D1	M3D3	M3D5	M3D7	M2D1	M2D3	M2D5	M2D7	Bit3	
1x:	M3D0	M3D4	M2D0	M2D4	M1D0	M1D4	M0D0	M0D4	Bit0	
	M3D1	M3D5	M2D1	M2D5	M1D1	M1D5	M0D1	M0D5	Bit1	
	M3D2	M2D2	M3D6	M2D6	M1D3	M1D6	M0D2	M0D6	Bit2	
	M3D3	M3D7	M2D3	M2D7	M1D3	M1D7	M0D3	M0D7	Bit3	

**Note:** If the Shift Register is not loaded every character clock (see SR01 D2 & D4) then the four 8-bit shift registers are effectively 'chained' with the output of shift register 1 becoming the input to shift register 0 and so on. This allows one to have a large monochrome (or 4 color) bit map and display one portion thereof.

7 Reserved (0)

**MISCELLANEOUS REGISTER (GR06)**

Read/Write at I/O Address 3CFh  
 Index 06h  
 Group 1 Protection



- 0** Graphics/Text Mode
  - 0: Text Mode
  - 1: Graphics mode
- 1** Chain Odd/Even Planes. This mode can be used to double the address space into display memory.
  - 0: A0 not replaced
  - 1: CPU address bit A0 is replaced by a higher order address bit. The state of A0 determines which memory plane is to be selected:
    - A0 = 0: select planes 0 and 2
    - A0 = 1: select planes 1 and 3

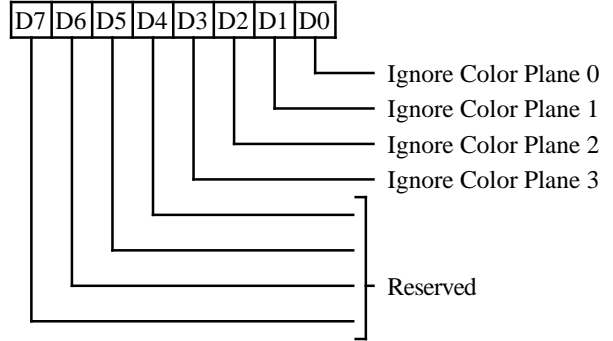
**3-2** Memory Map mode. These bits control the mapping of the display memory into the CPU address space as follows (also used in extended modes):

Bit 3	Bit 2	CPU Address
0	0	A0000h-BFFFFh
0	1	A0000h-AFFFFh
1	0	B0000h-B7FFFh
1	1	B8000h-BFFFFh

**7-4** Reserved (0)

**COLOR DON'T CARE REGISTER (GR07)**

Read/Write at I/O Address 3CFh  
 Index 07h  
 Group 1 Protection



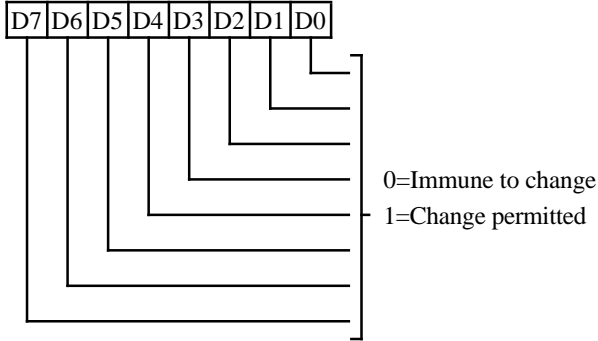
- 3-0** Ignore Color Plane (0-3)
  - 0: This causes the corresponding bit of the Color Compare register to be a don't care during a comparison.
  - 1: The corresponding bit of the Color Compare register is enabled for color comparison. This register is active in Read Mode 1 only.
- 7-4** Reserved (0)

**BIT MASK REGISTER (GR08)**

*Read/Write at I/O Address 3CFh*

*Index 08h*

*Group 1 Protection*



**7-0** This bit mask is applicable to any data written by the CPU, including that subject to a rotate, logical function (AND, OR, XOR), Set/Reset, and No Change. In order to execute a proper read-modify-write cycle into displayed memory, each byte must first be read (and latched by the VGA), the Bit Mask register set, and the new data then written. The bit mask applies to all four planes simultaneously.

- 0: The corresponding bit in each of the four memory planes is written from the corresponding bit in the latches.
- 1: Unrestricted manipulation of the corresponding data bit in each of the four memory planes is permitted.

*This page was intentionally left  
blank*

## 82C452 Attribute Controller and Color Palette Registers

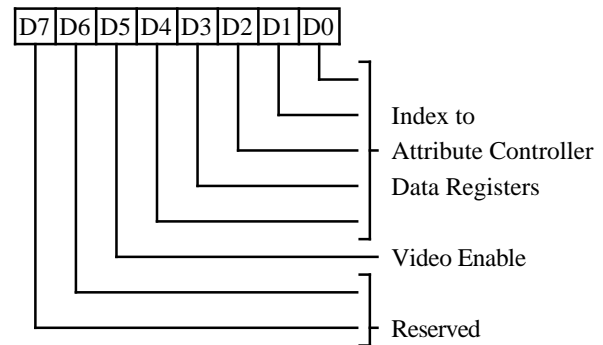
Register Mnemonic	Register Name	Index	Access	I/O Address	Protect Group	Page
ARX	Attribute Index (for 3C0/3C1h)	–	RW	3C0h	1	59
AR00-AR0F	Internal Color Palette Data	00-0Fh	RW	3C0h/3C1h	1	60
AR10	Mode Control	10h	RW	3C0h/3C1h	1	60
AR11	Overscan Color	11h	RW	3C0h/3C1h	1	61
AR12	Color Plane Enable	12h	RW	3C0h/3C1h	1	61
AR13	Horizontal Pixel Panning	13h	RW	3C0h/3C1h	1	62
AR14	Pixel Pad	14h	RW	3C0h/3C1h	1	62
DACMASK	External Color Palette Pixel Mask	–	RW	3C6h	6	63
DACSTATE	DAC State	–	R	3C7h	–	63
DACRX	External Color Palette Read-Mode Index	–	W	3C7h	6	64
DACX	External Color Palette Index (for 3C9h)	–	RW	3C8h	6	64
DACDATA	External Color Palette Data	00-FFh	RW	3C9h	6	64

In regular VGA mode, all Attribute Controller registers are located at the same byte address (3C0h) in the CPU I/O space. An internal flip-flop controls the selection of either the Attribute Index or Data Registers. To select the Index Register, an I/O Read is executed to address 3BAh/3DAh to clear this flip-flop. After the Index Register has been loaded by an I/O Write to address 3C0h, this flip-flop toggles, and the Data Register is ready to be accessed. Every I/O Write to address 3C0h toggles this flip-flop. The flip-flop does not have any effect on the reading of the Attribute Controller registers. The Attribute Controller index register is always read back at address 3C0h, the data register is always read back at address 3C1h.

In one of the extended modes (See "CPU Interface Register"), the Attribute Controller Index register is located at address 3C0h and the Attribute Controller Data register is located at address 3C1h (to allow word I/O accesses). In another extended mode, the Attribute Controller can be both read and written at either 3C0h or 3C1h (EGA compatible mode).

### ATTRIBUTE INDEX REGISTER (ARX)

*Read/Write at I/O Address 3C0h  
Group 1 Protection*



**4-0** These bits point to one of the internal registers of the Attribute Controller

**5** Enable Video:

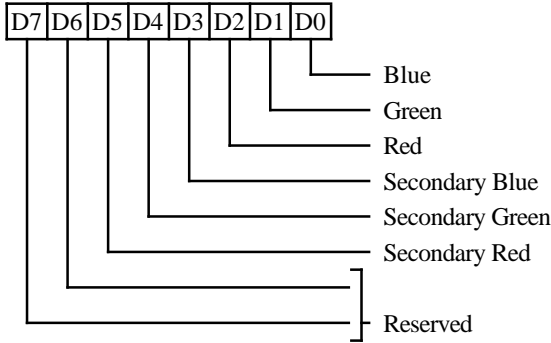
0: Disables the video, allowing the Attribute Controller color registers to be accessed by the CPU

1: Enables the video and causes the Attribute Controller Color registers (AR00-AR0F) to be inaccessible by the CPU

**7-6** Reserved (0)

**ATTRIBUTE CONTROLLER COLOR PALETTE DATA REGISTERS (AR00-AR0F)**

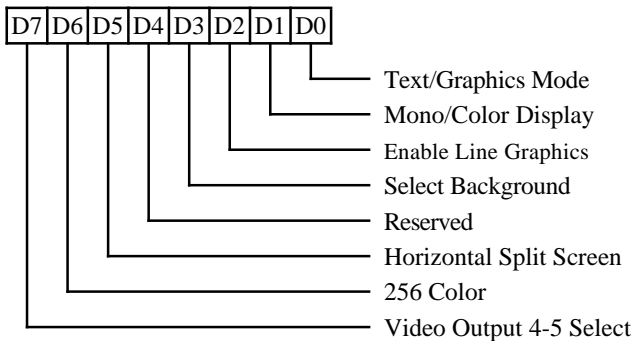
Read at I/O Address 3C1h  
 Write at I/O Address 3C0/1h  
 Index 00-0Fh  
 Group 1 Protection



- 5-0** These bits are the color value in the respective palette register as pointed to by the index register.
- 7-6** Reserved (0)

**ATTRIBUTE CONTROLLER MODE CONTROL REGISTER (AR10)**

Read at I/O Address 3C1h  
 Write at I/O Address 3C0/1h  
 Index 10h  
 Group 1 Protection

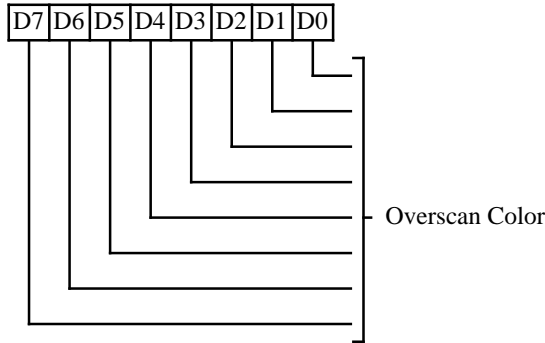


- 0** Text/Graphics Mode
  - 0: Select text mode
  - 1: Select graphics mode
- 1** Monochrome/Color Display
  - 0: Select color display attributes
  - 1: Select mono display attributes

- 2** Enable Line Graphics Character Codes. This bit is dependent on bit 0 of the Override register.
  - 0: Make the ninth pixel appear the same as the background.
  - 1: For special line graphics character codes (0C0h-0DFh), make the ninth pixel identical to the eighth pixel of the character. For other characters, the ninth pixel is the same as the background.
- 3** Enable Blink/Select Background Intensity. The blinking counter is clocked by the VSYNC signal. The Blink frequency is defined in the Blink Rate Control Register (XR60).
  - 0: Disable Blinking and enable text mode background intensity.
  - 1: Enable the blink attribute in text and graphics modes.
- 4** Reserved (0)
- 5** Split Screen Horizontal Panning Mode
  - 0: Scroll both screens horizontally as specified in the Pixel Panning register.
  - 1: Scroll horizontally only the top screen as specified in the Pixel panning register.
- 6** 256 Color Output Assembler
  - 0: 6-bits of video (translated from 4-bits by the internal color palette) are output every dot clock.
  - 1: Two 4-bit sets of video data are assembled to generate 8-bit video data at half the frequency of the internal dot clock (256 color mode).
- 7** Video Output 5-4 Select
  - 0: Video bits 4 and 5 are generated by the internal Attribute Controller color palette registers.
  - 1: Video bits 4 and 5 are the same as bits 0 and 1 in the Pixel Pad register (AR14).

**OVERSCAN COLOR REGISTER (AR11)**

Read at I/O Address 3C1h  
 Write at I/O Address 3C0/1h  
 Index 11H  
 Group 1 Protection

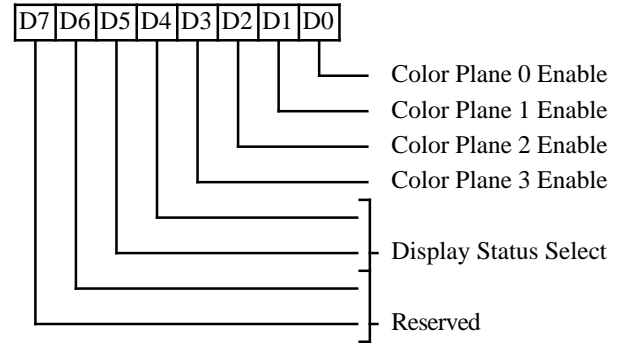


**7-0** Overscan Color. These 8 bits define the overscan (border) color value. For monochrome displays, these bits should be zero.

The border color is displayed in the interval after Display Enable End and before Blank Start (end of display area; i.e. right side and bottom of screen) and between Blank End and Display Enable Start (beginning of display area; i.e. left side and top of screen).

**COLOR PLANE ENABLE REGISTER (AR12)**

Read at I/O Address 3C1h  
 Write at I/O Address 3C0/1h  
 Index 12h  
 Group 1 Protection



**3-0** Color Plane (0-3) Enable

- 0: Force the corresponding color plane pixel bit to 0 before it addresses the color palette
- 1: Enable the plane data bit of the corresponding color plane to pass

**5-4** Display Status Select. Select two of the eight color outputs to be read back in the Input Status Register 1 (port 3BAh or 3DAh). The output color combinations available on the status bits are as follows:

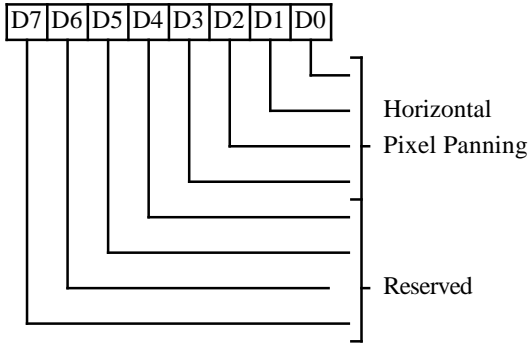
		Status Register 1	
Bit 5	Bit 4	Bit 5	Bit 4
0	0	P2	P0
0	1	P5	P4
1	0	P3	P1
1	1	P7	P6

**7-6** Reserved (0)



**ATTRIBUTE CONTROLLER HORIZONTAL PIXEL PANNING REGISTER (AR13)**

Read at I/O Address 3C1h  
 Write At I/O Address 3C0/1h  
 Index 13h  
 Group 1 Protection



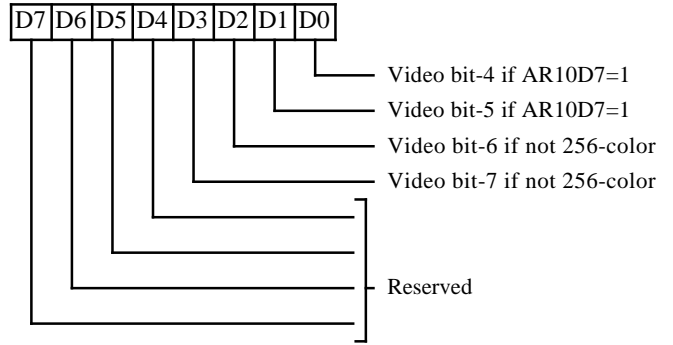
**3-0** Horizontal Pixel Panning. These bits select the number of pixels to shift the display horizontally to the left. Pixel panning is available in both text and graphics modes. In 9 pixels/character text mode, the output can be shifted a maximum of 9 pixels. In 8 pixels/character text mode and all graphics modes a maximum shift of 8 pixels is possible. In 256-color mode (output assembler AR10 D6 = 1), bit 0 of this register must be 0 which results in only 4 panning positions per display byte. In Shift Load 2 and Shift Load 4 modes, register CR08 provides single pixel resolution for panning. Panning is controlled as follows:

AR13	Number of Pixels Shifted		
	9-dot mode	8-dot mode	256-color mode
0	1	0	0
1	2	1	--
2	3	2	1
3	4	3	--
4	5	4	2
5	6	5	--
6	7	6	3
7	8	7	--
8	0	--	--

**7-4** Reserved (0)

**ATTRIBUTE CONTROLLER PIXEL PAD REGISTER (AR14)**

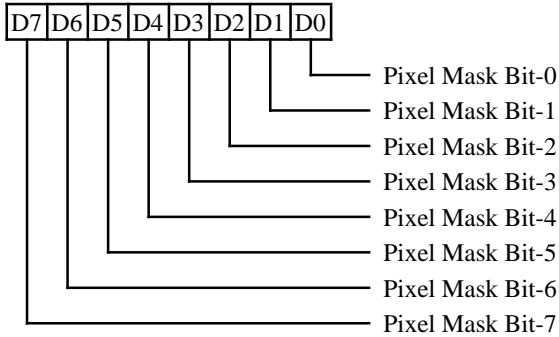
Read at I/O Address 3C1h  
 Write At I/O Address 3C0/1h  
 Index 14h  
 Group 1 Protection



- 1-0** These bits are output as video bits 5 and 4 when AR10 D7 = 1. They are disabled in 256 color mode.
- 3-2** These bits are output as video bits 7 and 6 in all modes except 256-color mode.
- 7-4** Reserved (0)

**EXTERNAL COLOR PALETTE  
PIXEL MASK REGISTER (DACMASK)**

Read/Write at I/O Address 3C6h  
Group 6 Protection

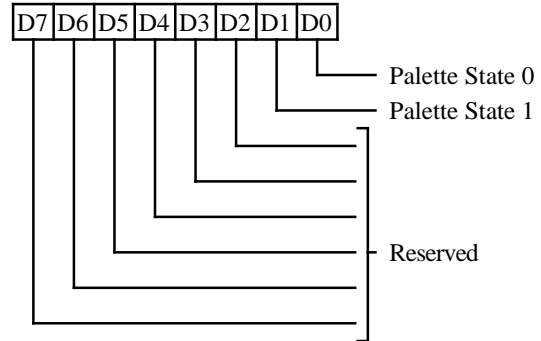


The contents of this register are logically ANDed with the 8 bits of video data coming into the external color palette. Zero bits in this register therefore cause the corresponding address input to the external color palette to be zero. For example, if this register is programmed with 7, only external color palette registers 0-7 would be accessible; video output bits 3-7 would be ignored and all color values would map into the lower 8 locations in the color palette.

This register is physically located in the external color palette chip (used for displaying analog data to the CRT). Reads from this I/O location cause the PALRD/ pin to be asserted. Writes to this I/O location cause the PALWR/ pin to be asserted. The functionality of this port is determined by the external palette chip.

**EXTERNAL COLOR PALETTE  
STATE REGISTER (DACSTATE)**

Read only at I/O Address 3C7h



**1-0** Status bits indicate the I/O address of the last CPU write to the external DAC/Color Palette:

- 00 The last write was to 3C8h (write mode)
- 11 The last write was to 3C7h (read mode)

**7-2** Reserved (0)

To allow saving and restoring the state of the video subsystem, this register is required since the external color palette chip automatically increments its index register differently depending on whether the index is written at 3C7h or 3C8h.

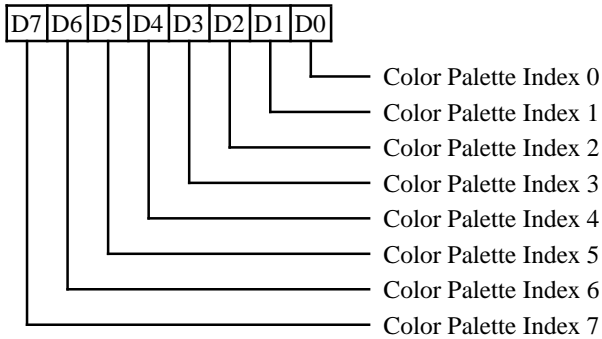
This register is physically located in the 82C452 chip (PALRD/ is *not* asserted for reads from this I/O address).

**EXTERNAL COLOR PALETTE  
READ-MODE INDEX REGISTER (DACRX)**

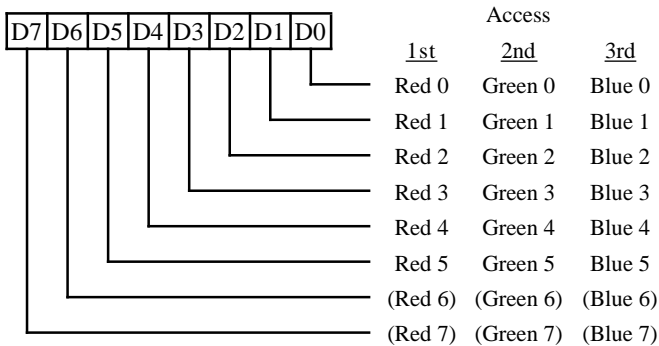
Write only at I/O Address 3C7h  
Group 6 Protection

**EXTERNAL COLOR PALETTE  
INDEX REGISTER (DACX)**

Read/Write at I/O Address 3C8h  
Group 6 Protection


**EXTERNAL COLOR PALETTE  
DATA REGISTERS (DACDATA 00-FF)**

Read/Write at I/O Address 3C9h  
Index 00h-FFh  
Group 6 Protection



The color palette index and data registers are physically located in the external color palette chip. The index register is used to point to one of 256 data registers. Each data register is either 18 or 24 bits in length depending on the type of palette chip used (6 or 8 bits each for red, green, and blue), so the data values must be read as a sequence of 3 bytes. After writing the index register (3C7h or 3C8h), data values may be read from or written to the color palette data register port (3C9h) in sequence: first red, then green, then blue, then repeat for the next

location if desired (the index is incremented automatically by the palette chip).

The index may be written at 3C7h and may be read or written at 3C8h. When the index value is written to either port, it is written to both the index register and a 'save' register internal to the color palette chip.

The save register (not the index register) is used internally by the palette chip to point at the current data register. When the index value is written to 3C7h (**read mode**), it is written to both the index register and the save register, then the index register is automatically incremented. When the index value is written to 3C8h (**write mode**), the automatic incrementing of the index register does not occur.

After the third of the three sequential data reads from (or writes to) 3C9h is completed, the save and index registers are both automatically incremented by the palette chip. This allows the entire palette (or any subset) to be read (written) by writing the index of the first color in the set, then sequentially reading (writing) the values for each color, without having to reload the index every three bytes.

The state of the RGB sequence is not saved; the user must access each three bytes in an uninterruptable sequence (or be assured that interrupt service routines will not access the palette index or data registers). When the index register is written (at either port), the RGB sequence is restarted. Data value reads and writes may be intermixed; either reads or writes increment the palette chip internal RGB sequence counter.

The palette chip internal save register always contains a value one less than the readable index value if the last index write was to the 'read mode' port. The 82C452 therefore saves the state of which port (3C7h or 3C8h) was last written and returns that information on reads from 3C7h (PALRD/ is only asserted on reads from 3C8h and not on reads from 3C7h). Writes to 3C7h or 3C8h cause the PALWR/ pin to be asserted.

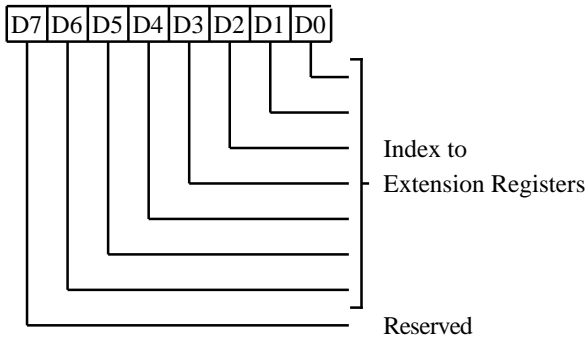
The functionality of the index and data ports is determined by the external palette chip.

## 82C452 Extension Registers

Register Mnemonic	Register Group	Register Name	Index	I/O Access	Address	State After Reset	Page
XRX	--	Extension Index	--	RW	3B6h / 3D6h	- x x x x x x x	66
XR00	Misc	Chip Version	00h	R	3B7h / 3D7h	0 0 0 1 r r r r	66
XR01	Misc	DIP Switch	01h	R	3B7h / 3D7h	- d d d d d d d	66
XR02	Misc	CPU Interface	02h	RW	3B7h / 3D7h	0 0 0 0 0 0 - 0	67
XR03	Misc	ROM Decode	03h	RW	3B7h / 3D7h	- - - - - 0	67
XR04	Misc	Memory Mode	04h	RW	3B7h / 3D7h	- - - - - 0 0 0	68
XR05	Misc	Sequencer Control	05h	RW	3B7h / 3D7h	- 0 0 0 - 0 0	68
XR06	Misc	DRAM Interface	06h	RW	3B7h / 3D7h	0 1 0 0 1 0 1 0	69
XR0E	Misc	Text Mode	0Eh	RW	3B7h / 3D7h	- - - - - 0 0	72
XR2A	Misc	Frame Interrupt Count	2Ah	RW	3B7h / 3D7h	- - - 0 0 0 0 0	82
XR7F	Misc	Diagnostic	7Fh	RW	3B7h / 3D7h	- 0 x x x x 0 0	88
XR0A	Mapping	Cursor Address Top	0Ah	RW	3B7h/3D7h	- - - - - 0 0	71
XR0B	Mapping	CPU Paging	0Bh	RW	3B7h / 3D7h	- - - - - 0 0 0	71
XR0C	Mapping	Start Address Top	0Ch	RW	3B7h / 3D7h	- - - - - 0 0	72
XR10	Mapping	Single/Low Map	10h	RW	3B7h / 3D7h	- - 0 0 0 0 0 0	73
XR11	Mapping	High Map	11h	RW	3B7h / 3D7h	- - 0 0 0 0 0 0	73
XR08	General	General Purpose Output Select B	08h	RW	3B7h / 3D7h	- - - - 0 0 0 0	70
XR09	General	General Purpose Output Select A	09h	RW	3B7h / 3D7h	- - - - 0 0 0 0	70
XR0D	General	Auxiliary Offset	0Dh	RW	3B7h / 3D7h	- - - - - 0 0	72
XR28	General	Video Interface	28h	RW	3B7h / 3D7h	- - - - 0 0 0 0	81
XR2B	General	Default Video	2Bh	RW	3B7h / 3D7h	0 0 0 0 0 0 0 0	82
XR14	Compatibility	Emulation Mode	14h	RW	3B7h / 3D7h	0 0 0 0 x x 0 0	74
XR15	Compatibility	Write Protect	15h	RW	3B7h / 3D7h	- 0 0 0 0 0 0 0	75
XR16	Compatibility	Trap Enable	16h	RW	3B7h / 3D7h	- - 0 0 0 0 0 0	76
XR17	Compatibility	Trap Status	17h	RW	3B7h / 3D7h	- - 0 0 0 0 0 0	76
XR7E	Compatibility	CGA Color Select	7Eh	RW	3B7h / 3D7h	- - x x x x x x	88
XR18	Alternate	Alternate H Display End	18h	RW	3B7h / 3D7h	x x x x x x x x	77
XR19	Alternate	Alternate H Sync Start	19h	RW	3B7h / 3D7h	x x x x x x x x	77
XR1A	Alternate	Alternate H Sync End	1Ah	RW	3B7h / 3D7h	x x x x x x x x	77
XR1B	Alternate	Alternate H Total	1Bh	RW	3B7h / 3D7h	x x x x x x x x	77
XR1C	Alternate	Alternate H Blank Start or End	1Ch	RW	3B7h / 3D7h	x x x x x x x x	78
XR1D	Alternate	Alternate H Blank End or Start	1Dh	RW	3B7h / 3D7h	0 x x x x x x x	78
XR1E	Alternate	Alternate Offset	1Eh	RW	3B7h / 3D7h	x x x x x x x x	78
XR20	SUD	Sliding Unit Delay	20h	RW	3B7h / 3D7h	- - - - - 0 0	79
XR21	SUD	Sliding Hold A	21h	RW	3B7h / 3D7h	x x x x x x x x	79
XR22	SUD	Sliding Hold B	22h	RW	3B7h / 3D7h	x x x x x x x x	79
XR23	SUD	Sliding Hold C	23h	RW	3B7h / 3D7h	x x x x x x x x	80
XR24	SUD	Sliding Hold D	24h	RW	3B7h / 3D7h	x x x x x x x x	80
XR27	Ext. Sync	Force Sync State	27h	RW	3B7h / 3D7h	- - 0 0 0 0 0 0	80
XR29	Ext. Sync	External Sync Control	29h	RW	3B7h / 3D7h	0 0 0 0 0 0 - -	81
XR2C	Ext. Sync	Delay Horizontal High	2Ch	RW	3B7h / 3D7h	- - - - 0 0 0 0	82
XR2D	Ext. Sync	Delay Horizontal Low	2Dh	RW	3B7h / 3D7h	0 0 0 0 0 0 0 0	82
XR2E	Ext. Sync	Delay Vertical High	2Eh	RW	3B7h / 3D7h	- - - - - 0 0	83
XR2F	Ext. Sync	Delay Vertical Low	2Fh	RW	3B7h / 3D7h	0 0 0 0 0 0 0 0	83
XR30	Cursor	Graphics Cursor Start Address High	30h	RW	3B7h / 3D7h	x x x x x x x x	84
XR31	Cursor	Graphics Cursor Start Address Low	31h	RW	3B7h / 3D7h	x x x x x x x x	84
XR32	Cursor	Graphics Cursor End Address	32h	RW	3B7h / 3D7h	0 0 0 0 0 0 0 0	84
XR33	Cursor	Graphics Cursor X Position High	33h	RW	3B7h / 3D7h	x - - - x x x x	84
XR34	Cursor	Graphics Cursor X Position Low	34h	RW	3B7h / 3D7h	x x x x x x x x	85
XR35	Cursor	Graphics Cursor Y Position High	35h	RW	3B7h / 3D7h	- - - - x x x x	85
XR36	Cursor	Graphics Cursor Y Position Low	36h	RW	3B7h / 3D7h	x x x x x x x x	85
XR37	Cursor	Graphics Cursor Mode	37h	RW	3B7h / 3D7h	- - - 0 0 0 0 0	86
XR38	Cursor	Graphics Cursor Mask	38h	RW	3B7h / 3D7h	x x x x x x x x	86
XR39	Cursor	Graphics Cursor Color 0	39h	RW	3B7h / 3D7h	x x x x x x x x	87
XR3A	Cursor	Graphics Cursor Color 1	3Ah	RW	3B7h / 3D7h	x x x x x x x x	87

**EXTENSION INDEX REGISTER (XR0)**

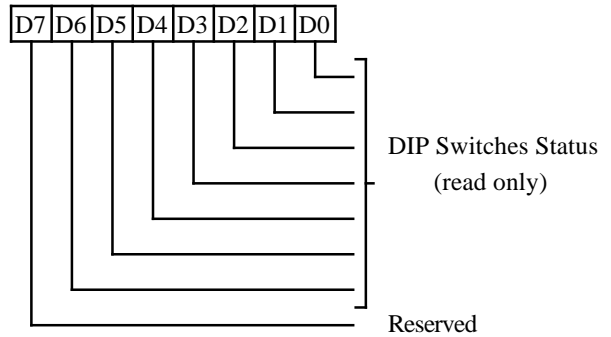
Read/Write at I/O Address 3B6h/3D6h  
Index Xh



- 6-0** Index value used to access the extension registers.
- 7** Reserved (0)

**DIP SWITCH REGISTER (XR01)**

Read only at I/O Address 3B7h/3D7h  
Index 01h

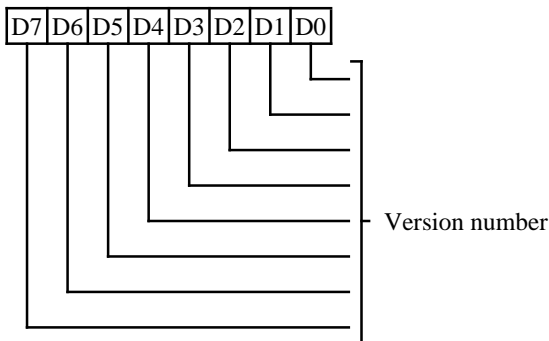


- 6-0** These bits give the state of the DIP switches which are multiplexed with address/data/control signals on pins RFSH/, AEN, ADDHI, BHE/ and A18-16.
- 7** Reserved (0)

*This register is not related to the EGA Dip Switches .*

**CHIPS VERSION REGISTER (XR00)**

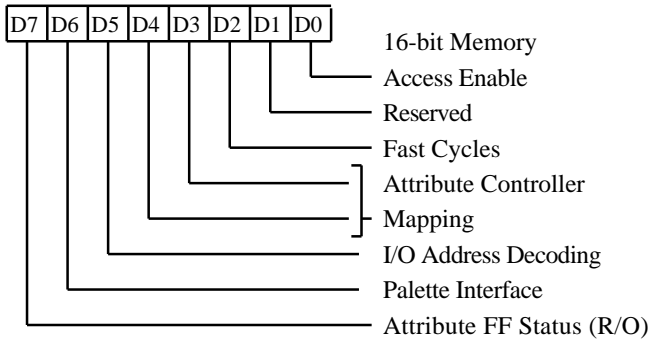
Read only at I/O Address 3B7h/3D7h  
Index 00h



- 7-0** This register contains the version number for the 82C452. Values start at 11h and are incremented for every silicon step. The current production silicon reads 14h in this register.

**CPU INTERFACE REGISTER (XR02)**

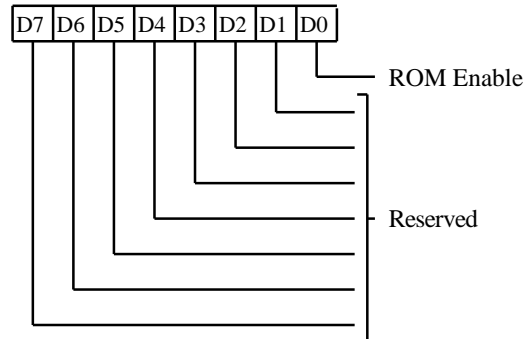
Read/Write at I/O Address 3B7h/3D7h  
Index 02h



- 0** 16-bit Memory Access Enable
  - 0: Disabled
  - 1: Enabled
- 1** Reserved (0)
- 2** Fast Cycles Enable. Default is disabled (0) on Reset. The Fast option works only with a 16-bit MCA interface (bit-0 =1 and input signal pin PTMC = Low).
- 4-3** Attribute Controller Mapping
  - 00: Write Index at 3C0h and Data at 3C0h (8-bit access only). (Default on Reset; VGA type mapping).
  - 01: Write Index at 3C0h and Data at 3C1h (8 or 16-bit access), the attribute flip-flop is always reset in this mode (16-bit mapping)
  - 10: Write Index and Data at 3C0h/3C1h (8-bit access only EGA type mapping).
  - 11: Reserved (0)
- 5** I/O Address Decoding. This bit affects 3B4/5h, 3D4/5h, 3C0-2h, 3C4/5h, 3CE/Fh, 3BAh, 3BFh and 3D8h.
  - 0: Decode all 16 bits of I/O address (Default on Reset)
  - 1: Decode only the lower 10 bits.
- 6** Palette Interface
  - 0: Decode only address 3C6-3C9h (Selected on Reset)
  - 1: Activate Palette at 3C6-3C9h and 83C6-83C9h.
- 7** Attribute Flip-flop Status (read only)
  - 0: Index
  - 1: Data

**ROM DECODE REGISTER (XR03)**

Read/Write at I/O Address 3B7h/3D7h  
Index 03h

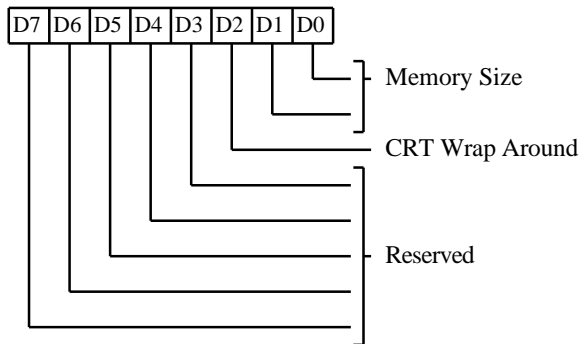


- 0** ROM Decode Enable
  - 0: ROM space decode enabled. On reset ROM decode enabled with EISA/ISA-Bus interface, disabled with MCA interface. ROMCS/ active (low) for CPU reads to C0000h-C7FFFh.
  - 1: ROM space decode disabled.
- 7-1** Reserved (0)

**MEMORY MODE REGISTER (XR04)**

Read/Write at I/O Address 3B7h/3D7h

Index 04h


**1-0 Memory Size**
**10 Memory Size Selected**

00: 256 KBytes of display memory (4 planes 64k each using 64k x 4 devices). (Default on Reset).

01: 512 KBytes of display memory (2 Banks, 4 planes 64k each using 64k x 4 devices).

10: 1 MByte of display memory (4 planes 256 k each using 256k x 4 devices).

11: Not Used.

**2 CRT Wrap Around**

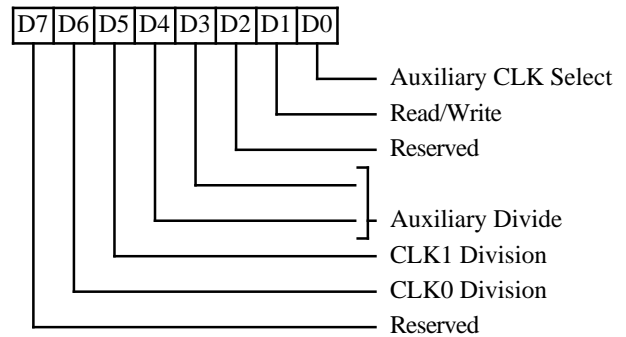
0: 82C452 will wrap around CRT addresses at 64k boundary for VGA compatibility regardless of the amount of memory on the board. (Default on Reset).

1: 82C452 generates addresses for the entire memory on the board. This bit should be set for extended modes which use more than 256 Kbytes of display memory.

**7-3 Reserved (0)**
**SEQUENCER CONTROL REGISTER (XR05)**

Read/Write at I/O Address 3B7h/3D7h

Index 05h


**0 Auxiliary Clock Select**

0: Select one of CLK0, CLK1, or CLK2 as defined by the Miscellaneous Output Register to be the display clock.

1: Select MCLK as the display clock.

**1 Read/Write**

0: Normal Operation.

1: All CRT Controller Read Cycles are converted to write cycles. DRAM Data pins are tri-stated.

**2 Reserved (0)**

**4-3 Auxiliary Divide;** Divides the Display Clock selected by the Miscellaneous Output register/bit 0 of this register by 1, 2, 3 or 4 before being used internally. The additional divide by two in the sequencer is still effective (SR1 bit 3).

**43 Function**

00: Divide by 1

01: Divide by 2

10: Divide by 3

11: Divide by 4

**5 CLK1 Division.** This bit controls the division operation on CLK1 as specified by bits 4-3 of this register.

0: No division on CLK1.

1: Divide the CLK0 as specified by 4-3.

**6 CLK0 Division.** This bit controls the division operation on CLK0 as specified by bits 4-3 of this register.

0: No division on CLK0.

1: Divide the CLK0 as specified by 4-3

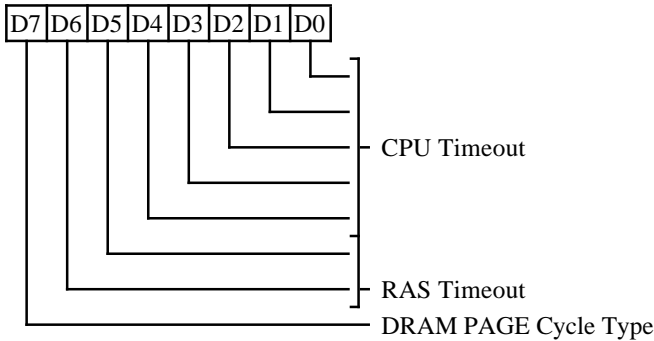
**7 Reserved (0)**

**Note:** Bits 5&6 control the division of CLK1 and CLK0. CLK2 is always divided if selected and bits 3-4 are set.

**DRAM INTERFACE REGISTER (XR06)**

Read/Write at I/O Address 3B7h/3D7h

Index 06h



**4-0** CPU Timeout. Specifies the max CPU hold-off time for a given MCLK frequency. the time out is determined by the following equation:

$$\text{CPU Timeout} = (22 + 7N)/\text{fmclk}$$

where, N = number programmed in 4-0  
 fmclk = MCLK frequency  
 The default on power up is 3 μsec with 32MHz MCLK.

**6-5** RAS Timeout. Specifies the max duration for which RAS can be low. Time out is derived as follows:

$$\text{RAS Timeout} = (196 + 50N)/\text{fmclk}$$

where N = number programmed in 6-5.

- 7** DRAM PAGE Cycle type
- 0: Normal Page mode
  - 1: Fast Page Mode (Static Column)

**Note:** The above register on power up will default to 01001010.

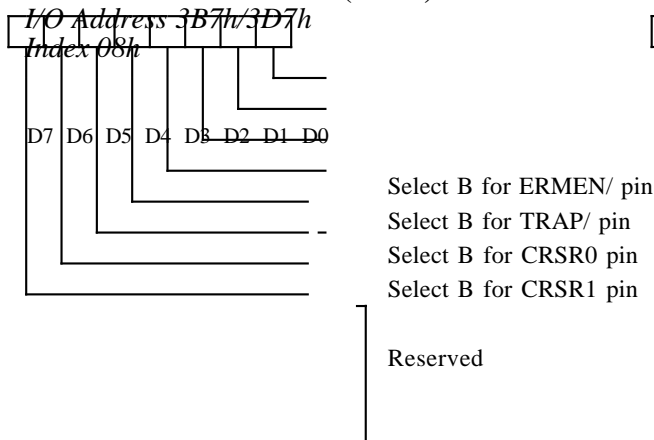


General Purpose Output Select Registers

These two 4 bit registers allow the CPU to define the functions of TRAP/, ERMEN/, CRSR0 and CRSR1 pins. These pins can be defined to work in their normal mode or they can be defined as general purpose outputs. Each pin is controlled by 2 bits defined in the General Purpose Output Select A and General Purpose Output Select B Registers.

Select Bits		<u>Pin Function</u>
<u>B</u>	<u>A</u>	
0	0	Normal Function of pin
0	1	3-State
1	0	Force low
1	1	Force high

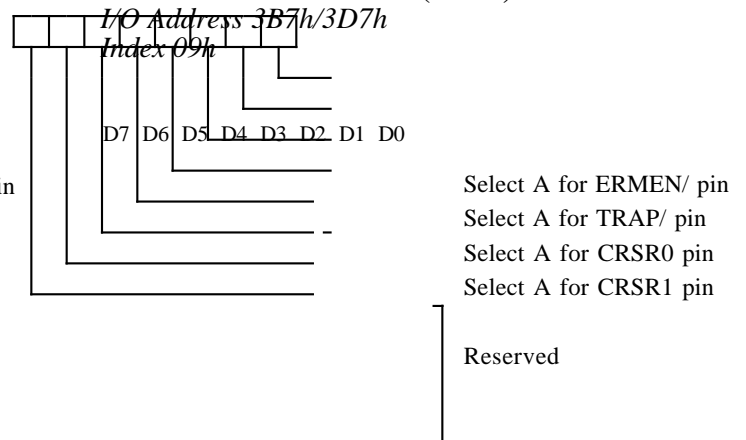
**GENERAL PURPOSE OUTPUT SELECT B REGISTER (XR08)**



Select bit B determines if the pin should be a general purpose output or perform its normal function.

- 0** Select bit B for ERMEN/ pin
- 1** Select bit B for TRAP/ pin
- 2** Select bit B for CRSR0 pin
- 3** Select bit B for CRSR1 pin
- 7-4** Reserved (0)

**GENERAL PURPOSE OUTPUT SELECT A REGISTER (XR09)**

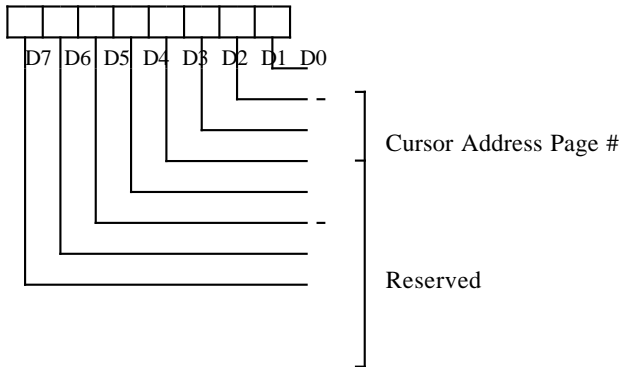


Select bit A determines if the pin should be a general purpose output or perform its normal function.

- 0** Select bit A for ERMEN/ pin
- 1** Select bit A for TRAP/ pin
- 2** Select bit A for CRSR0 pin
- 3** Select bit A for CRSR1 pin
- 7-4** Reserved (0)

**CURSOR ADDRESS TOP (XR0A)**

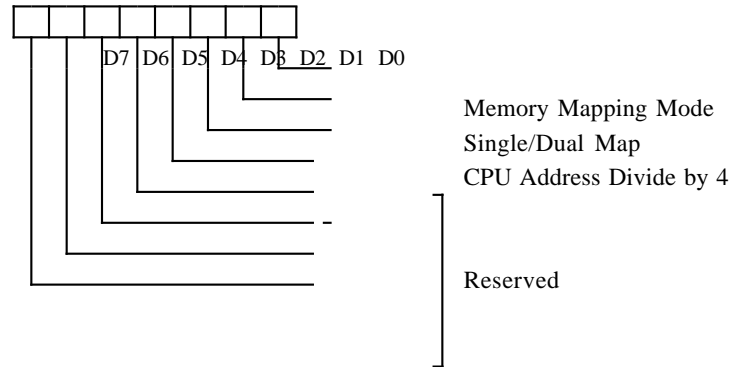
Read/Write at I/O Address 3B7h/3D7h  
Index 0Ah



- 1-0** Cursor Address Page Number. Defines the 1 or 2 high order bits for the Display Cursor Address when 512 KB or 1 MB of memory is used.
- 7-2** Reserved (0)

**CPU PAGING REGISTER (XR0B)**

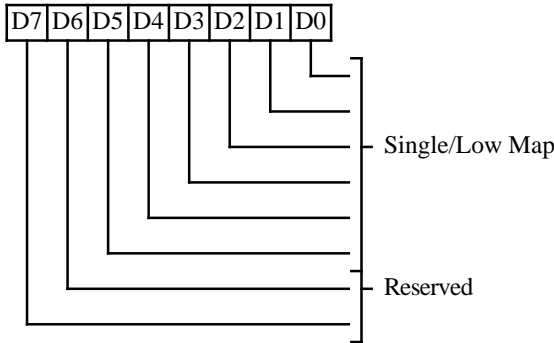
Read/Write at I/O Address 3B7h/3D7h  
Index 0Bh



- 0** Memory Mapping Mode
  - 0: Normal Mode (VGA Compatible).
  - 1: Extended Mode, mapping for 512 KBytes or 1 MByte memory configuration.
- 1** Single/Dual Map
  - 0: CPU uses only single map to access the extended video memory space.
  - 1: CPU uses two maps to access the extended video memory space. The base addresses for two maps are defined in Low and High Map registers.
- 2** CPU Address divide by 4
  - 0: Disable divide by 4. Normal mode.
  - 1: Enable divide by 4 for CPU addresses. This allows the video memory to be accessed sequentially in mode 13. Also, all of the memory is available in mode 13 by setting this bit.
- 7-3** Reserved (0)

**SINGLE/LOW MAP REGISTER (XR10)**

Read/Write at I/O Address 3B7h/3D7h  
Index 10h



**5-0** These six bits define the Single or Lower Map (in Dual Map Mode) base address bits 17-12. The map starts on 4k boundary. In the case of Dual mapping this register controls the CPU window into the display memory based on the contents of GR6 as follows:

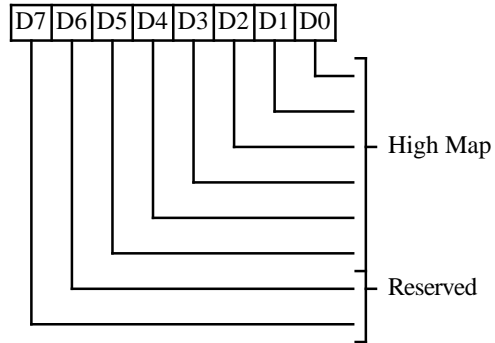
GR6	Low Map
0	0A0000-0Affffh
1	0A0000-0A7ffffh
2	0B0000-0Bffffh
3	0B0000-0Bffffh

**7-6** Reserved (0)

**Note:** Dual mapping is not allowed in the last two cases. In the last two instances the CPU uses single mapping.

**HIGH MAP REGISTER (XR11)**

Read/Write at I/O Address 3B7h/3D7h  
Index 11h



**5-0** These six bits define the High Map (in Dual Map Mode) base address bits 17-12. The map starts on 4k boundary. In the case of Dual mapping this register controls the CPU window into the display memory based on the contents of GR6 as follows:

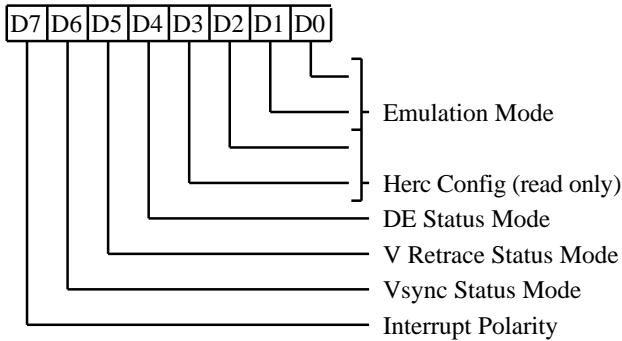
GR6	High Map
0	0B0000-0Bffffh
1	0A8000-0Affffh
2	Don't care
3	Don't care

**7-6** Reserved (0)

**EMULATION MODE REGISTER (XR14)**

Read/Write at I/O Address 3B7h/3D7h

Index 14h



**1-0 Emulation Mode**

10 Mode

00: VGA/EGA

01: CGA

10: MDA

11: MDA / Hercules

**3-2 Hercules Configuration Register (3BFh) readback (read only).**

**4 Display Enable Status Mode**

0: Select Display Enable status to appear at bit 0 of Input Status register 1 (I/O Address 3xAh in CGA and VGA modes).

1: Select HSYNC status to appear at bit 0 of Input Status register 1 (I/O Address 3xAh in MDA and Hercules modes).

**5 Vertical Retrace Status Mode**

0: Select Vertical Retrace status to appear at bit 3 of Input Status register 1 (I/O Address 3xAh in CGA and VGA modes).

1: Select Video to appear at bit 3 of Input Status register 1 (I/O Address 3xAh in MDA and Hercules modes).

**6 VSYNC Status Mode**

0: Prevent Vsync status from appearing at bit 7 of Input Status register 1 (I/O Address 3xAh in CGA and VGA modes).

1: Enable Vsync status to appear at bit 7 of Input Status register 1 (I/O Address 3xAh in MDA and Hercules modes).

**7 Interrupt Output Function**

This bit controls the function of the IRQ/ output in both MCA-bus and PC-bus.

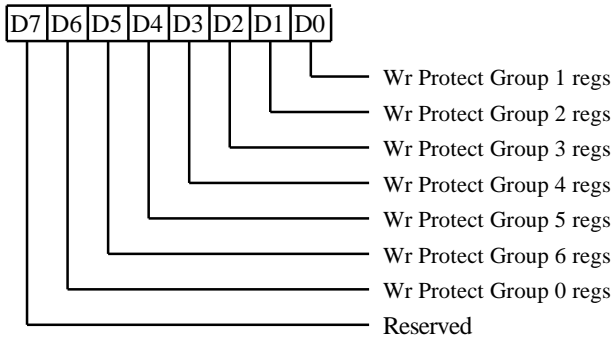
	XR14 D7=0	XR14 D7=0	XR14 D7=1
<u>Interrupt State</u>	<u>PC Bus</u>	<u>MCA Bus</u>	<u>PC Bus</u>
Disabled	3-state	3-state	3-state
Enabled, Inactive	3-state	3-state	Low
Enabled, Active	3-state	Low	High

**Note:** Bit 7 should be set to '1' to enable the CRT interrupt function in the PC BUS.

**WRITE PROTECT REGISTER (XR15)**

Read/Write at I/O Address 3B7h/3D7h

Index 15h



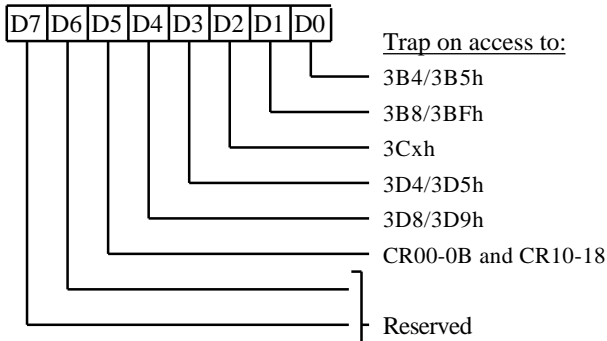
This register controls write protection for various groups of registers as shown. 0 = unprotected, 1= protected.

- 0** Write Protect Group 1 Registers:
  - Sequencer (SR00-SR04)
  - Graphics Controller (GR00-GR08)
  - Attribute Controller (AR00-AR14)
- 1** Write Protect Group 2 Registers:
  - Cursor Size register (CR09) bits 0-4
  - Character Height regs (CR0A, CR0B)
- 2** Write Protect Group 3 Registers:
  - CRT Controller CR07 bit-4
  - CRT Controller CR08
  - CRT Controller CR11 bits 4 and 5
  - CRT Controller CR13 and CR14
  - CRT Controller CR17 bits 0,1 & 3-7
  - CRT Controller CR18
  - (Split screen, smooth scroll, & CRTC Mode)
- 3** Write Protect Group 4 Registers:
  - CRT Controller CR09 bits 5-7
  - CRT Controller CR10
  - CRT Controller CR11 bits 0-3 & 6
  - CRT Controller CR12, CR15, CR16
  - CRT Controller CR17 bit-2
- 4** Write Protect Group 5 Registers:
  - Miscellaneous Output (3C2h)
  - Feature Control (3BA/3DAh)

- 5** Write Protect Group 6. (I/O Addresses 3C6-3C9h). The PALRD/ and PALWR/ output signals are disabled and the 82C452 DAC state register is write protected.
- 6** Write Protect Group 0. Auxiliary Write Protect for CRT Controller registers CR00-CR07 except CR07 D4. This bit is logically ORed with CR11 D7.
- 7** Reserved (0)

**TRAP ENABLE REGISTER (XR16)**

Read/Write at I/O Address 3B7h/3D7h  
Index 16h



Trap Enable bits:

- 0** Generate Trap on Access to I/O Addresses 3B4h or 3B5h.
- 1** Generate Trap on Access to I/O Addresses 3B8h or 3BFh.
- 2** Generate Trap on Access to I/O Addresses 3Cxxh.
- 3** Generate Trap on Access to I/O Addresses 3D4h or 3D5h.
- 4** Generate Trap on Access to I/O Addresses 3D8h or 3D9h.
- 5** Generate Trap on Access to registers CR0B and CR10 through CR18.
- 7-6** Reserved (0)

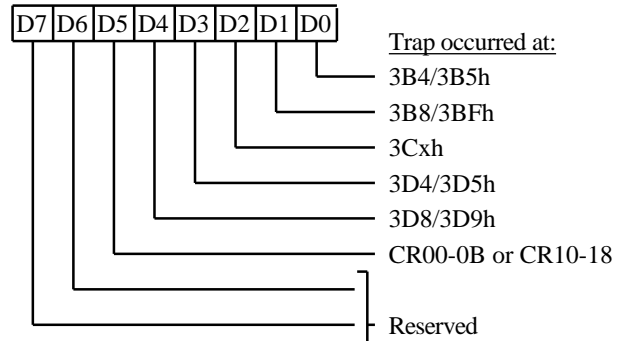
For all bits:

- 0: Disable trap
- 1: Enable trap

This register is cleared (0) on reset.

**TRAP STATUS REGISTER (XR17)**

Read/Clear at I/O Address 3B7h/3D7h  
Index 17h



Trap Status bits:

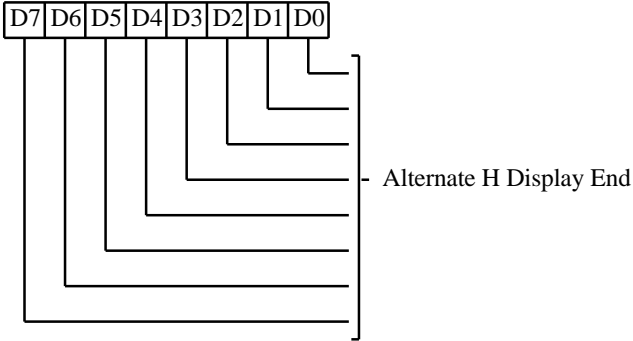
- 0** Trap occurred on access to I/O Address 3B4h or 3B5h.
- 1** Trap occurred on access to I/O Address 3B8h or 3BFh.
- 2** Trap occurred on access to I/O Address 3Cxxh.
- 3** Trap occurred on access to I/O Address 3D4h or 3D5h.
- 4** Trap occurred on access to I/O Address 3D8h or 3D9h.
- 5** Trap occurred on access to CRT Controller registers CR00 through CR0B and CR10 through CR18.
- 7-6** Reserved (0)

For all bits:

- 0: No access occurred
- 1: Access occurred

**ALTERNATE HORIZONTAL DISPLAY ENABLE END (XR18)**

*Read/Write at I/O Address 3B7h/3D7h  
Index 18h*

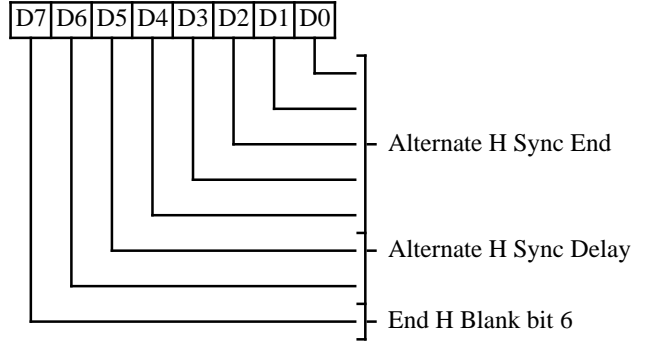


This register is used in CRT low resolution CGA modes, Hercules graphics mode.

- 7-0** Alternate Horizontal Display Enable End. See CR01 for description.

**ALTERNATE HORIZONTAL SYNC END (XR1A)**

*Read/Write at I/O Address 3B7h/3D7h  
Index 1Ah*

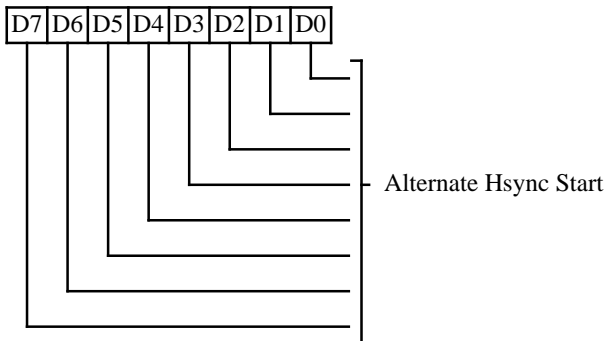


This register is used in CRT low resolution CGA modes, Hercules graphics modes.

- 4-0** Alternate Horizontal Sync End. See CR05 for description.
- 6-5** Alternate Horizontal Sync Delay. See CR05 for description.
- 7** End Horizontal Blank bit 6. Sixth bit of the Alternate Horizontal Blanking Register.

**ALTERNATE HORIZONTAL SYNC START (XR19)**

*Read/Write at I/O Address 3B7h/3D7h  
Index 19h*

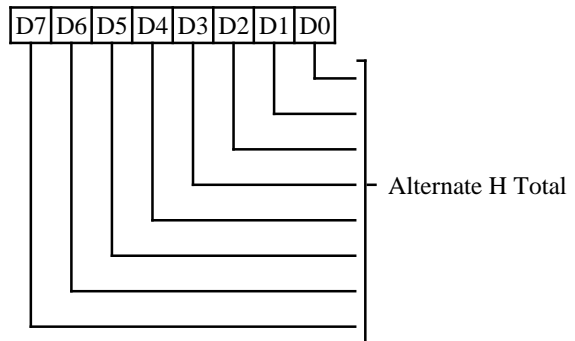


This register is used in CRT low resolution CGA modes, Hercules graphics modes.

- 7-0** Alternate Horizontal Sync Start. See CR04 for description.

**ALTERNATE HORIZONTAL TOTAL (XR1B)**

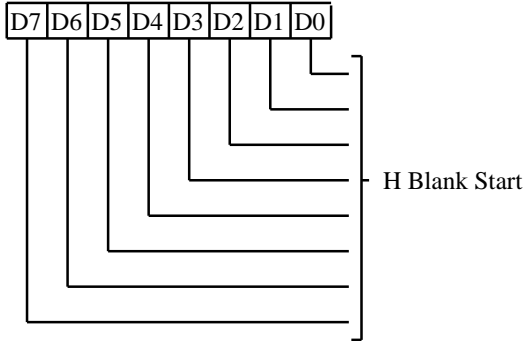
*Read/Write at I/O Address 3B7h/3D7h  
Index 1Bh*



This register is used in CRT low resolution CGA modes, Hercules graphics modes.

- 7-0** Alternate Horizontal Total. See CR00 for description.

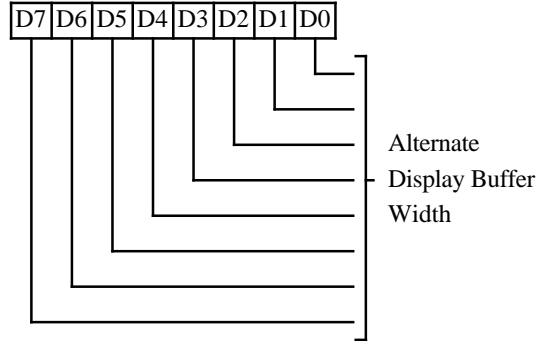
**ALTERNATE HORIZONTAL BLANK START (XR1C)**  
 Read/Write at I/O Address 3B7h/3D7h  
 Index 1Ch



This register is used in CRT low resolution CGA modes and Hercules graphics modes.

**7-0** Alternate Horizontal Blank Start. See CR02 for description.

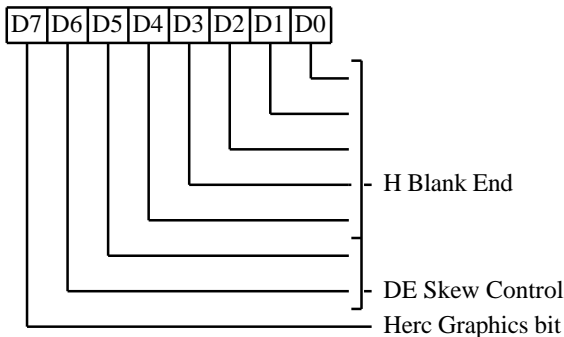
**ALTERNATE OFFSET (XR1E)**  
 Read/Write at I/O Address 3B7h/3D7h  
 Index 1Eh



This register is used in low resolution CGA modes and Hercules graphics modes.

**7-0** Alternate Offset. See CR13 for description.

**ALTERNATE HORIZONTAL BLANK END (XR1D)**  
 Read/Write at I/O Address 3B7h/3D7h  
 Index 1Dh



This register is used in CRT low resolution CGA modes and Hercules graphics modes.

**4-0** Alternate Horizontal Blank End. See CR03 for description.

**6-5** Display Enable Skew Control. See CR03 for description.

**7** Herc Graphics bit.

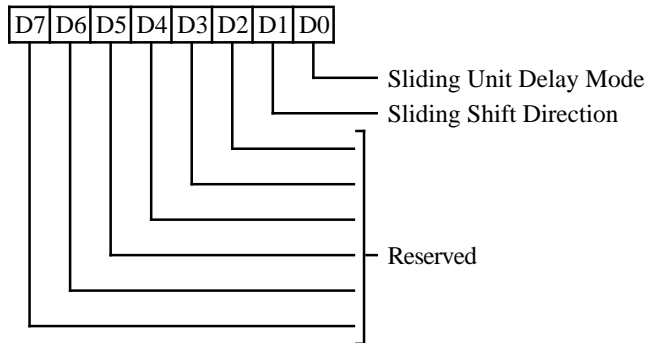
- 0: For IBM VGA compatible operation.
- 1: Enhances split screen functionality. Also this bit should be \* for Hercules Graphics mode (720x348 line mode).



**SLIDING UNIT DELAY REGISTER (XR20)**

Read/Write at I/O Address 3B7h/3D7h

Index 20h



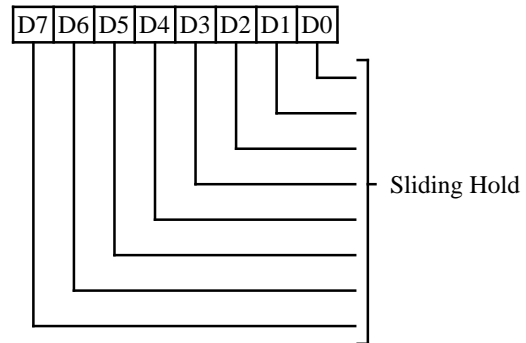
- 0** Sliding Unit Delay Mode. Defines Sliding Unit Delay Mode.
  - 0: Disabled (normal VGA operation).
  - 1: Enabled. CPU Data Written into memory is shifted and mixed with carry over from previous write operation. The new data is now subject to rotation and logic operation. The new data is now subject to rotation and logic operation.
- 1** Sliding Shift Direction Defines Sliding Unit Delay Shift Direction;
  - 0: Shift left
  - 1: Shift right. Effective only when bit 0 of this register is 1.

**7-2** Reserved (0)

**SLIDING HOLD REGISTER A (XR21)**

Read/Write at I/O Address 3B7h/3D7h

Index 21h

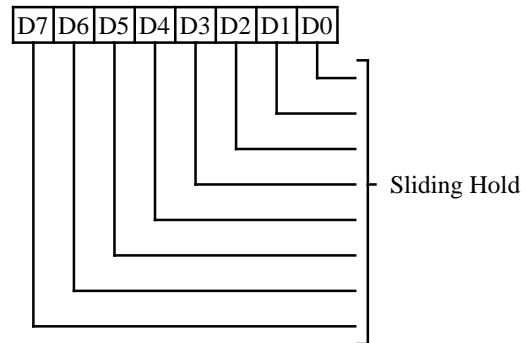


- 7-0** Sliding Hold Register A. Carryover bits (plane 0) from previous write operation that will be used in the following write cycle when sliding unit delay is enabled. This is the only register used in extended write modes 0 and 3. Software must write into this register to initialize the hardware.

**SLIDING HOLD REGISTER B (XR22)**

Read/Write at I/O Address 3B7h/3D7h

Index 22h

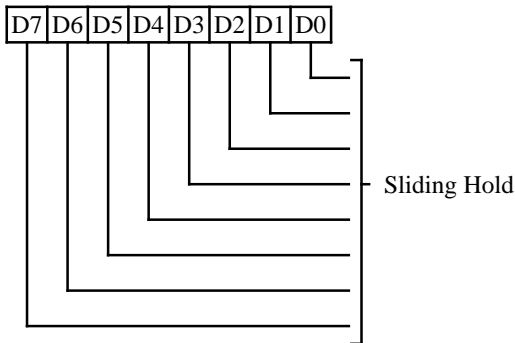


- 7-0** Sliding Hold Register B. Carryover bits (plane 1) from previous write operation that will be used in the following write cycle when sliding unit delay is enabled. This is the only register used in extended write mode 1. Software must write into this register to initialize the hardware.

**SLIDING HOLD REGISTER C (XR23)**

Read/Write at I/O Address 3B7h/3D7h

Index 23h

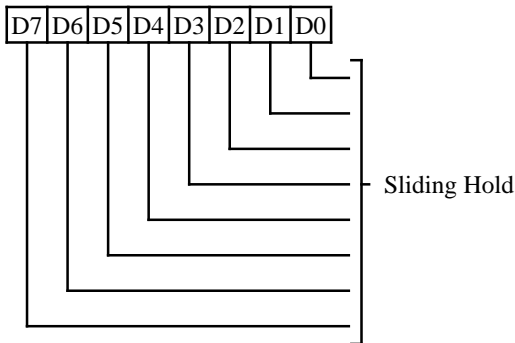


**7-0** Sliding Hold Register C. Carryover bits (plane 2) from previous write operation that will be used in the following write cycle when sliding unit delay is enabled. This is the only register used in extended write mode 1. Software must write into this register to initialize the hardware.

**SLIDING HOLD REGISTER D (XR24)**

Read/Write at I/O Address 3B7h/3D7h

Index 24h

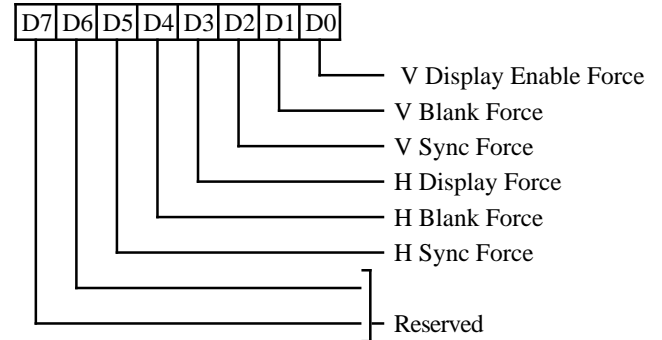


**7-0** Sliding Hold Register D. Carryover bits (plane 3) from previous write operation that will be used in the following write cycle when sliding unit delay is enabled. This is the only register used in extended write mode 1. Software must write into this register to initialize the hardware.

**FORCE SYNC STATE REGISTERS (XR27)**

Read/Write at I/O Address 3B7h/3D7h

Index 27h

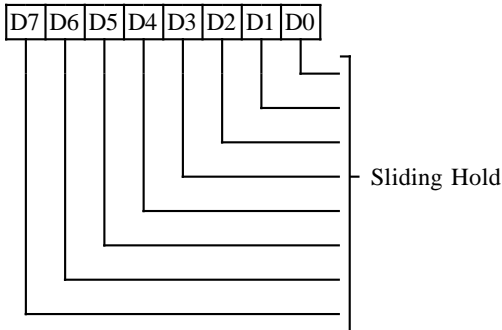


This register selects the level of display enable, blank and sync signals.

- 0** Vertical Display Enable Force
  - 0: Set Vertical Display Enable Force Level to 0
  - 1: Set Vertical Display Enable Force Level to 1
- 1** Vertical Blank Force
  - 0: Set Vertical Blank Force Level to 0
  - 1: Set Vertical Blank Force Level to 1
- 2** Vertical Sync Force
  - 0: Set Vertical Sync Force Level to 0
  - 1: Set Vertical Sync Force Level to 1
- 3** Horizontal Display Enable Force
  - 0: Set Horizontal Display Enable Force Level to 0
  - 1: Set Horizontal Display Enable Force Level to 1
- 4** Horizontal Blank Force
  - 0: Set Horizontal Blank Force Level to 0
  - 1: Set Horizontal Blank Force Level to 1
- 5** Horizontal Sync Force
  - 0: Set Horizontal Sync Force Level to 0
  - 1: Set Horizontal Sync Force Level to 1
- 7-6** Reserved (0)

**SLIDING HOLD REGISTER C (XR23)**

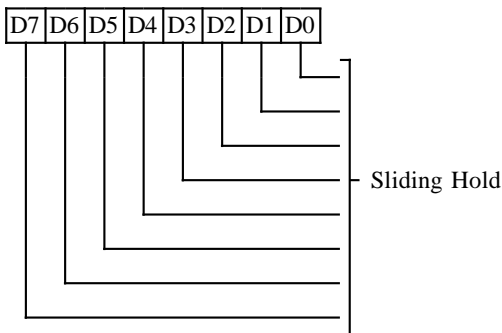
Read/Write at I/O Address 3B7h/3D7h  
Index 23h



**7-0** Sliding Hold Register C. Carryover bits (plane 2) from previous write operation that will be used in the following write cycle when sliding unit delay is enabled. This is the only register used in extended write mode 1. Software must write into this register to initialize the hardware.

**SLIDING HOLD REGISTER D (XR24)**

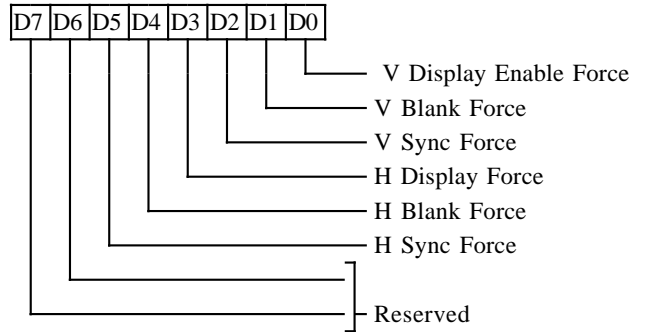
Read/Write at I/O Address 3B7h/3D7h  
Index 24h



**7-0** Sliding Hold Register D. Carryover bits (plane 3) from previous write operation that will be used in the following write cycle when sliding unit delay is enabled. This is the only register used in extended write mode 1. Software must write into this register to initialize the hardware.

**FORCE SYNC STATE REGISTERS (XR27)**

Read/Write at I/O Address 3B7h/3D7h  
Index 27h



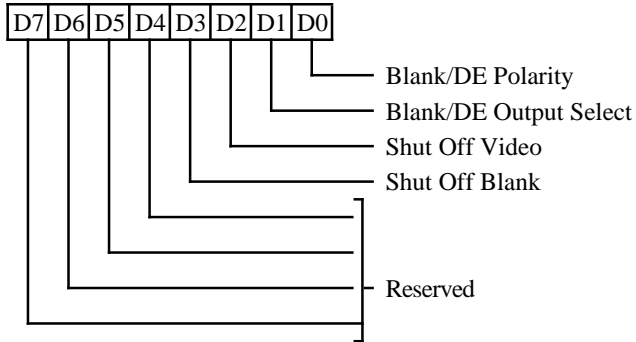
This register selects the level of display enable, blank and sync signals.

- 0** Vertical Display Enable Force
  - 0: Set Vertical Display Enable Force Level to 0
  - 1: Set Vertical Display Enable Force Level to 1
- 1** Vertical Blank Force
  - 0: Set Vertical Blank Force Level to 0
  - 1: Set Vertical Blank Force Level to 1
- 2** Vertical Sync Force
  - 0: Set Vertical Sync Force Level to 0
  - 1: Set Vertical Sync Force Level to 1
- 3** Horizontal Display Enable Force
  - 0: Set Horizontal Display Enable Force Level to 0
  - 1: Set Horizontal Display Enable Force Level to 1
- 4** Horizontal Blank Force
  - 0: Set Horizontal Blank Force Level to 0
  - 1: Set Horizontal Blank Force Level to 1
- 5** Horizontal Sync Force
  - 0: Set Horizontal Sync Force Level to 0
  - 1: Set Horizontal Sync Force Level to 1
- 7-6** Reserved (0)

**VIDEO INTERFACE REGISTER (XR28)**

Read/Write at I/O Address 3B7h/3D7h

Index 28h



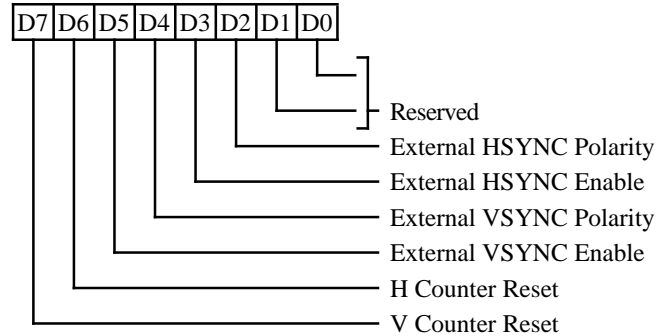
- 0** BLANK/Display Enable Polarity
  - 0: Negative
  - 1: Positive
- 1** Blank / Display Enable Select
  - 0: BLANK/ pin outputs BLANK/
  - 1: BLANK/ pin outputs DE

The signal polarity selected by bit 0 is applicable for either selection
- 2** Shut off Video
  - 0: Video not forced to Default Video Register during blank time.
  - 1: Video forced to default video when the screen is blanked
- 3** Shut Off Blank
  - 0: The BLANK/ output is not forced to be active when the screen is blanked (using bit 5 of the Sequencer Clocking Mode register SR01)
  - 1: The BLANK/ output is forced active when the screen is blanked (Bit 5 of SR01)
- 7-4** Reserved (0)

**EXTERNAL SYNC CONTROL REGISTER (XR29)**

Read/Write at I/O Address 3B7h/3D7h

Index 29h

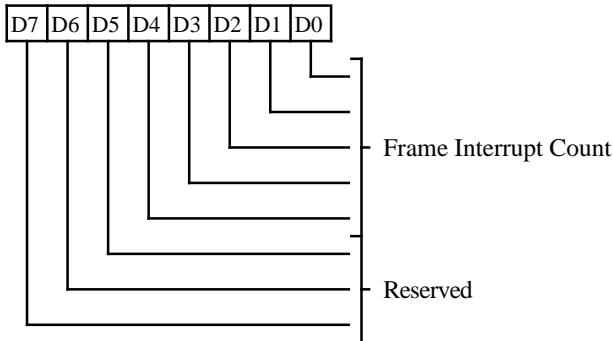


- 1-0** Reserved (0)
- 2** External HSYNC Polarity
  - 0: Detects 0 to 1 transition on XHSYNC
  - 1: Detects 1 to 0 transition on XHSYNC
- 3** External HSYNC Enable
  - 0: Disable XHSYNC
  - 1: Enable XHSYNC
- 4** External VSYNC Polarity
  - 0: Detects 0 to 1 transition on XVSYNC
  - 1: Detects 1 to 0 transition on XVSYNC
- 5** External XVSYNC Enable
  - 0: Disable XVSYNC
  - 1: Enable XVSYNC
- 6** Horizontal Counter Reset
  - 0: Normal Operation
  - 1: A strobe on XHSYNC will reset the Horizontal counter
- 7** Vertical Counter Reset
  - 0: Normal Operation
  - 1: A strobe on XVSYNC will reset the Vertical counter

**Note:** Bit 6 and 7 should be set to 0 for normal operation.

**FRAME INTERRUPT COUNT REGISTER (XR2A)**

Read/Write at I/O Address 3B6h/3D6h  
Index 2Ah

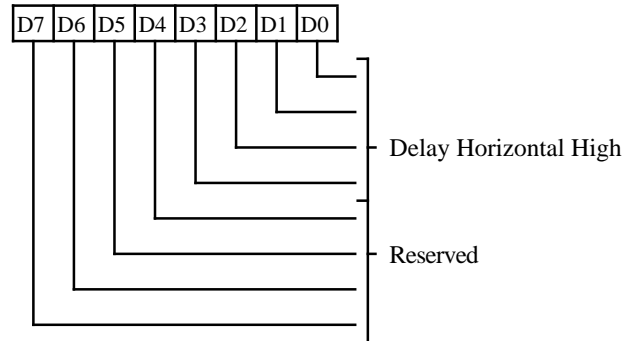


**4-0** Frame Interrupt Count. This 5 bit counter controls how often the Vertical Interrupt is generated. When the value is 0 in the counter, interrupt is generated every frame. When the value is 31, interrupt is generated every 32 frames.

**7-5** Reserved (0).

**DELAY HORIZONTAL HI (XR2C)**

Read/Write at I/O Address 3B6h/3D6h  
Index 2Ch

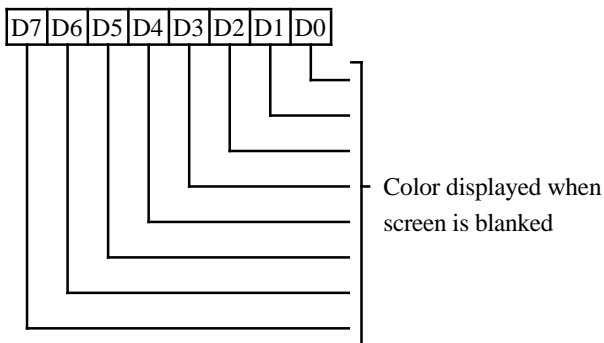


**3-0** Delay Horizontal High. Upper bits of delay loaded into the internal horizontal counter when external HSYNC triggers.

**7-4** Reserved (0).

**DEFAULT VIDEO REGISTER (XR2B)**

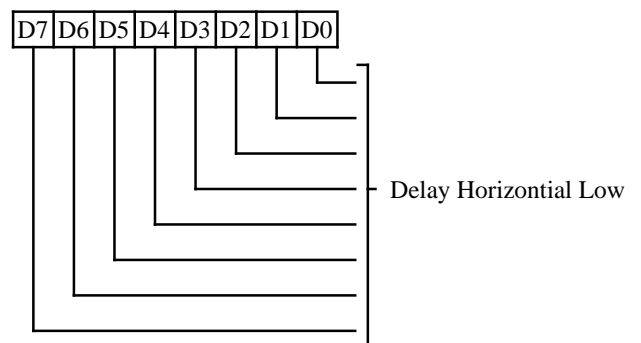
Read/Write at I/O Address 3B7h/3D7h  
Index 2Bh



**7-0** Color to be displayed when the screen is forced to blank state (using bit 5 of SR1). This color is also displayed when ever there is a FIFO under run. This FIFO will never under run unless the 'Dot Clock' is driven faster than the maximum 'Dot Clock' frequency supported by the current MCLK.

**DELAY HORIZONTAL LOW REGISTER (XR2D)**

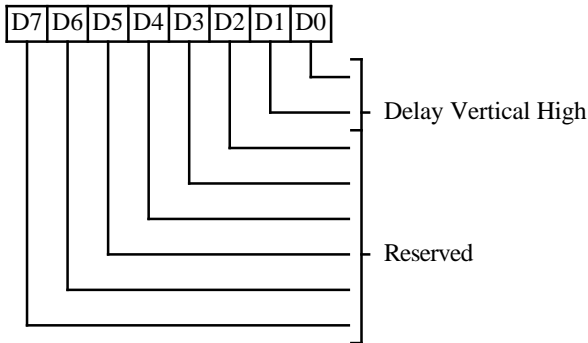
Read/Write at I/O Address 3B7h/3D7h  
Index 2Dh



**7-0** Lower bits of delay loaded into the internal horizontal counter when external HSYNC triggers. The value loaded determines the delay from external HSYNC detect to start of the horizontal timing chain.

**DELAY VERTICAL HI (XR2E)**

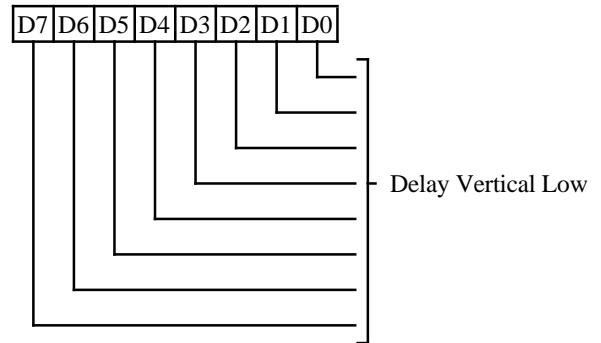
Read/Write at I/O Address 3B6h/3D6h  
Index 2Eh



- 1-0** Delay Vertical High. Upper bits of delay loaded into the internal vertical counter when external VSYNC triggers.
- 7-2** Reserved

**DELAY VERTICAL LOW REGISTER (XR2F)**

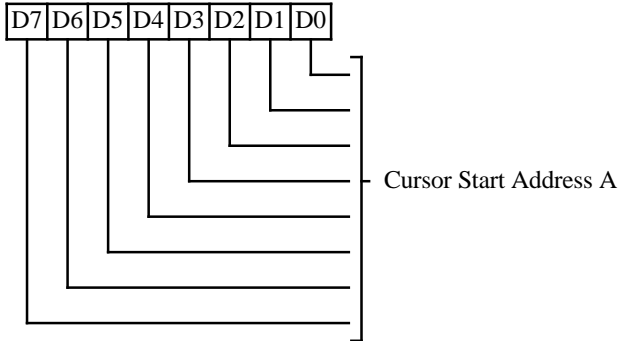
Read/Write at I/O Address 3B7h/3D7h  
Index 2Fh



- 7-0** Lower bits of delay loaded into the internal Vertical counter when external VSYNC triggers. The value loaded determines the delay from external VSYNC detect to start of the Vertical timing chain.

**GRAPHICS CURSOR START ADDRESS REGISTER A (XR30)**

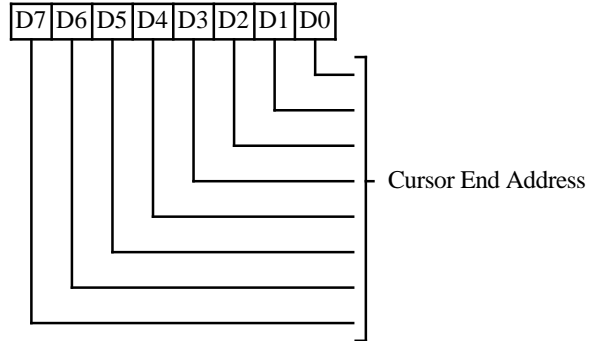
Read/Write at I/O Address 3B7h/3D7h  
Index 30h



**7-0** Cursor Start Address Register A. Bits 17 to 10 of the Graphics Cursor Pattern Start Address. Maximum memory address is 256 KB (4 plane/byte).

**GRAPHICS CURSOR END ADDRESS REGISTER (XR32)**

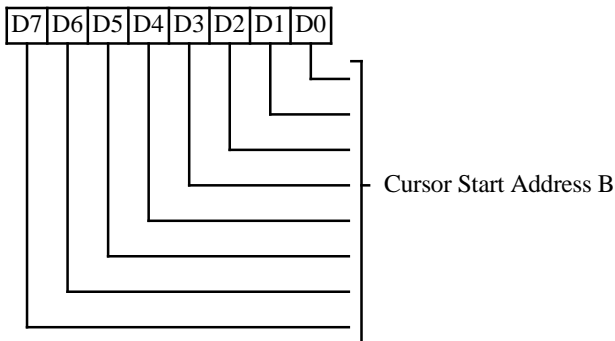
Read/Write at I/O Address 3B7h/3D7h  
Index 32h



**7-0** Cursor End Address Register. Bits 9 to 2 of the last address in memory for the Graphics Cursor Pattern. Once the Current Graphics Cursor address exceeds this value, the cursor is disabled.

**GRAPHICS CURSOR START ADDRESS REGISTER B (XR31)**

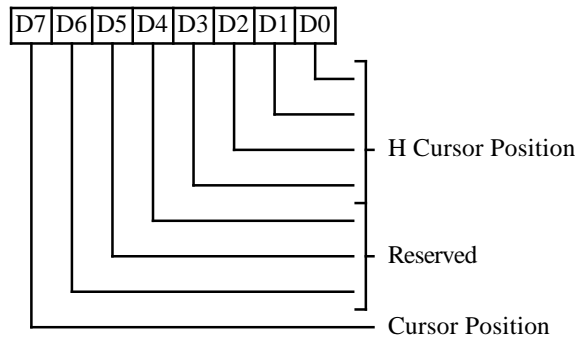
Read/Write at I/O Address 3B7h/3D7h  
Index 31h



**7-0** Cursor Start Address Register B. Bits 9 to 2 of the Graphics Cursor Pattern Start Address. Bits 1 and 0 are always 0.

**GRAPHICS CURSOR POSITION X-HIGH REGISTER (XR33)**

Read/Write at I/O Address 3B7h/3D7h  
Index 33h



**3-0** Horizontal Cursor Position. Upper bits of Graphics Cursor Horizontal pixel position

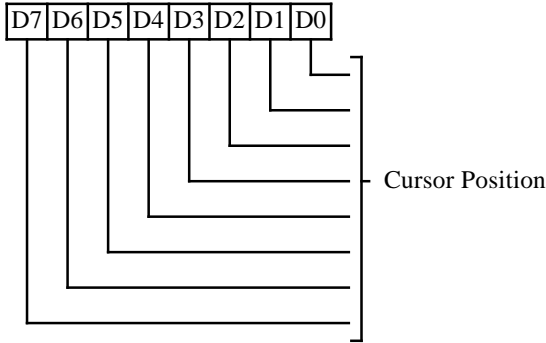
**6-4** Reserved (0)

**7** Cursor Position

- 0: Cursor position is positive
- 1: Cursor position is negative

**GRAPHICS CURSOR POSITION X-LOW REGISTER (XR34)**

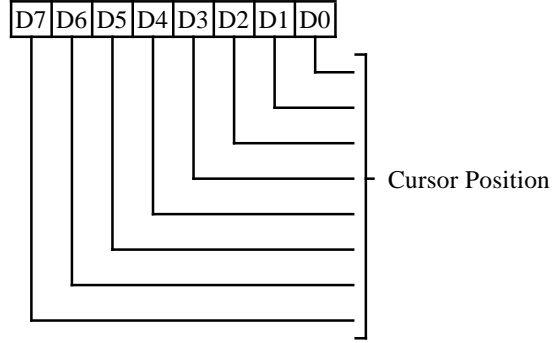
Read/Write at I/O Address 3B7h/3D7h  
Index 34h



**7-0** Cursor Position. Lower bits of Graphics Cursor Horizontal pixel position. The cursor position can also be negative. The lower six bits define the negative position in 2's complement. MSB of the Graphics Cursor Position X-Hi determine whether the Cursor position is positive or negative.

**GRAPHICS CURSOR POSITION Y-LOW REGISTER (XR36)**

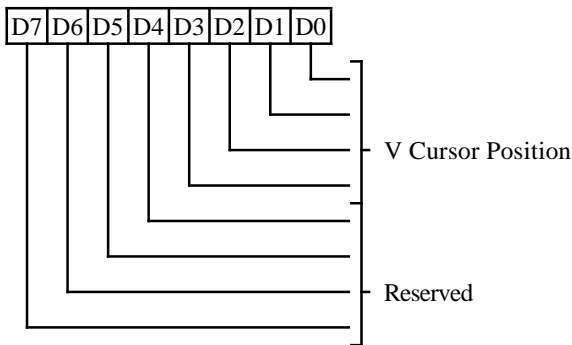
Read/Write at I/O Address 3B7h/3D7h  
Index 36h



**7-0** Cursor Position. Lower bits of Graphics Cursor Vertical pixel position.

**GRAPHICS CURSOR POSITION Y-HIGH REGISTER (XR35)**

Read/Write at I/O Address 3B7h/3D7h  
Index 35h



**3-0** Vertical Cursor Position. Upper bits of Graphics Cursor Vertical pixel position.

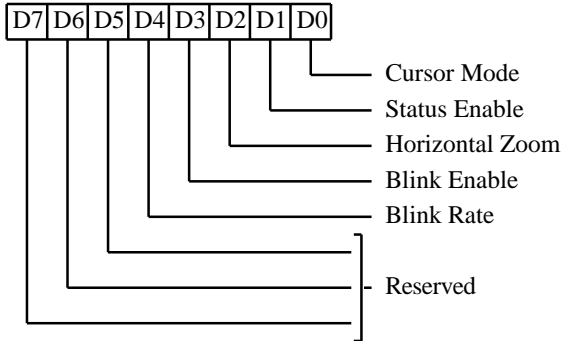
**7-4** Reserved (0)



**GRAPHICS CURSOR MODE (XR37)**

Read/Write at I/O Address 3B7h/3D7h

Index 37h

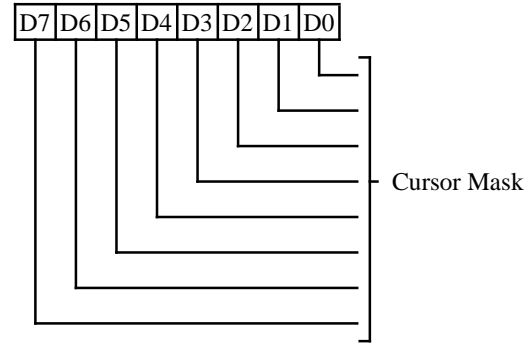


- 0** Cursor Mode
  - 0: Cursor Disabled
  - 1: Color/Inverted/Transparent Cursor
- 1** Status Enable
  - 0: Cursor Status pins CRSR0-1 always 0
  - 1: Cursor Status pins CRSR0-1 follow the cursor pattern
- 2** Horizontal Zoom
  - 0: 32 pixel wide cursor displayed
  - 1: 32 pixel pattern zoomed to display 64 pixels on the screen
- 3** Blink Enable
  - 0: Graphics Cursor Blink Disabled
  - 1: Blink Enabled
- 4** Blink Rate
  - 0: 8 frames on and off
  - 1: 16 frames on and off
- 7-5** Reserved (0)

**GRAPHICS CURSOR MASK (PLANE ENABLE) REGISTER (XR38)**

Read/Write at I/O Address 3B7h/3D7h

Index 38h



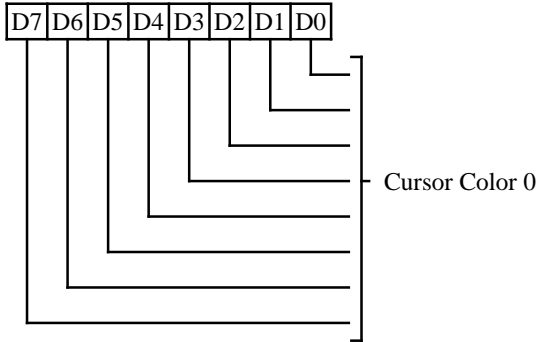
- 7-0** Cursor Mask
  - 0: No Graphics Cursor action on corresponding color plane
  - 1: Enable Graphics Cursor on corresponding color plane

**GRAPHICS CURSOR COLOR 0 REGISTER**

**(XR39)**

*Read/Write at I/O Address 3B7h/3D7h*

*Index 39h*



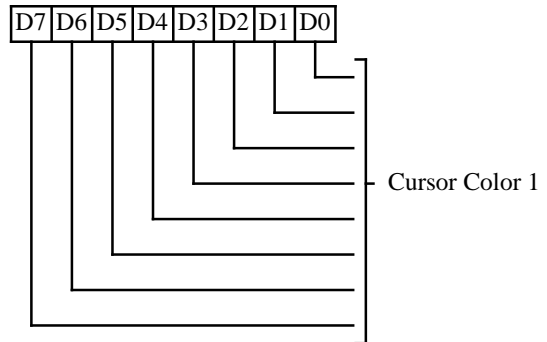
**7-0** Cursor Color 0. Color value 0 for cursor mode 1.

**GRAPHICS CURSOR COLOR 1 REGISTER**

**(XR3A)**

*Read/Write at I/O Address 3B7h/3D7h*

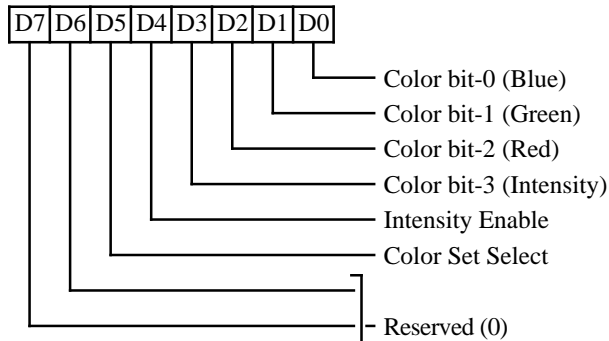
*Index 3Ah*



**7-0** Cursor Color 1. Color value 1 for cursor mode 1.

**CGA COLOR SELECT (XR7E)**

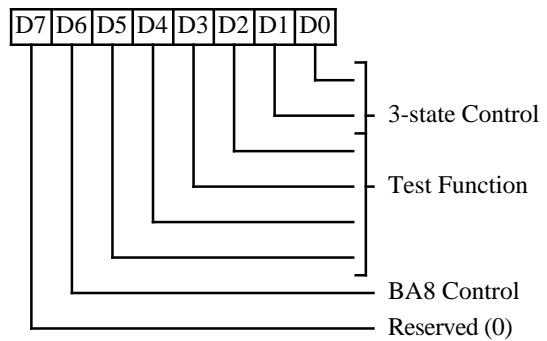
Read/Write at I/O Address 3B7h/3D7h  
Index 7Eh



This register is a copy of the CGA color select register 3D9h. Writes to this register will change the copy at 3D9h. It is effective in CGA emulation mode. The copy at 3D9h is visible only in CGA emulation mode. The copy at XR7E is always visible.

**DIAGNOSTIC (XR7F)**

Read/Write at I/O Address 3B7h/3D7h  
Index 7Fh



Diagnostic Register (I/O Address 3D7h; Address Pointer: 7Fh). Read - Write Register.

- 0** 3-State Control bit 0:
  - 0: Normal Outputs;
  - 1: 3-state output pins PALRD/, PALWR/, WR46E8/, HSYNC, VSYNC, RDLO/, RDHI/, ROMCS/, IRQ.
- 1** 3-state Control bit 1;
  - 1: 3-state output pins WE/, RAS/, RAS2/, CAS0/, CAS1/, CAS2/, CAS3/, AA0-7 and BA0-7.
- 5-2** Test Function Pins. These bits are used for internal testing of the chip. They should be 0 for normal operation.
- 6** BA8 Control bit
  - 0: BA8 is the 9th memory address output.
  - 1: BA8 is a test input
- 7** Reserved (0)

## Functional Description

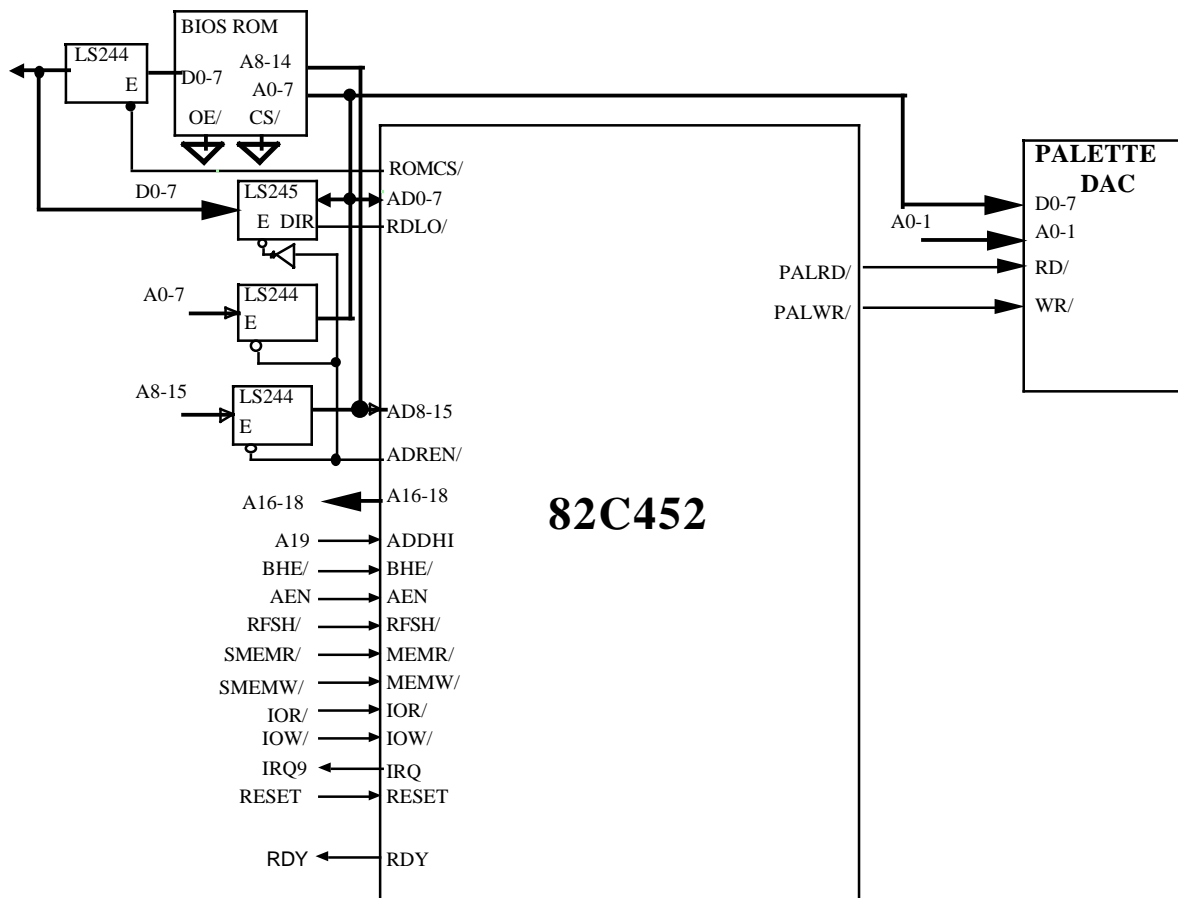
### CPU INTERFACE - PC (EISA/ISA) BUS

The 82C452 supports both PC (EISA/ISA or Industry Standard Architecture) and MCA (Microchannel: PS/2™ or CHIPS/2™) interface configurations. The interface type is selected by strapping the PTMC pin high (EISA/ISA bus) or low (MCA bus).

The 82C452 supports both 8-bit and 16-bit CPU interface configurations. The 16-bit interface can be independently enabled/disabled for memory cycles through the CPU Interface Register; 16 bit I/O operation is dependent on the state of BHE/. In 16 bit AT slot 82C452 always supports 16 bit I/O operation and in 8 bit slot, 8 bit I/O cycles are

supported. On reset, the chip is configured for 8-bit accesses for memory and I/O cycles. The 16-bit interface for I/O cycles is restricted to index/data pairs of registers. This includes the Sequencer (3C4h), Graphics Controller (3CEh), CRT Controller (3B4h/3D4h), extended registers (3D6/3D7h) and the Attribute Controller (3C0h). There is an independent control for 16-bit interface to the Attribute Controller. All other I/O addresses (color palette, Miscellaneous Output and Status) are always treated as 8-bit ports; DS16/ (IOCS16/) is never asserted for these ports.

When the 16-bit interface is chosen, the 82C452 will always assert DS16/ (MEMCS16/ or IOCS16/) after



Block Diagram – 8-Bit EISA/ISA Bus Interface

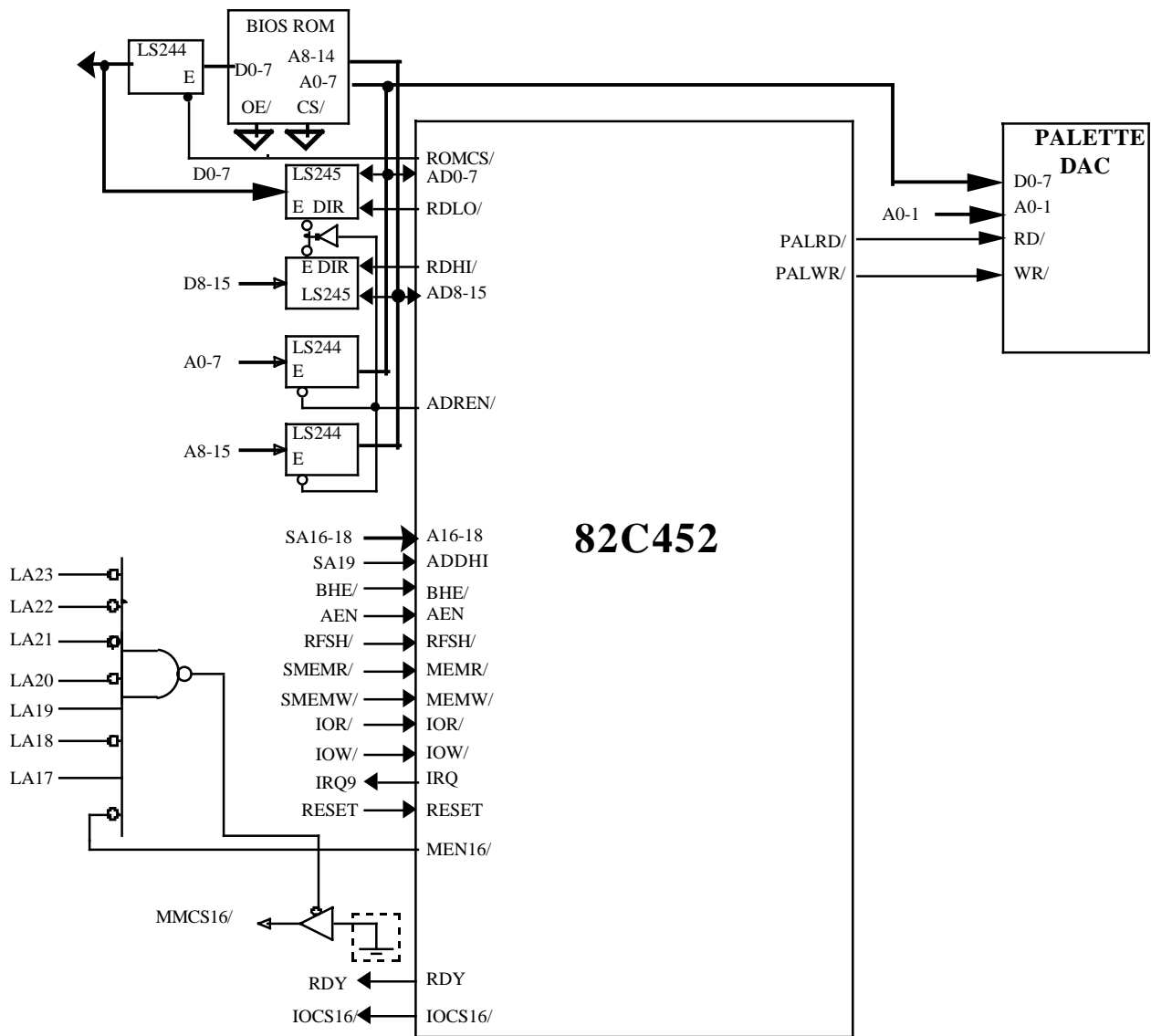
a valid memory or I/O address is recognized. Depending on the state of A0 and BHE/, either an 8-bit or 16-bit cycle will actually be executed. This ensures that even for software-directed 8-bit accesses, faster non-converted cycles will be executed by the system logic. If both A0 and BHE/ are high, then a byte transfer will be executed from the lower data bus to the odd byte (default 8-bit transfer mode); connecting BHE/ to VCC results in forcing 8-bit transfers. Regardless of the 8-bit cycle being directed to an odd or even address, only one half of the data bus will respond. In case of read cycles, only one half of the data bus will be driven.

### 8-Bit EISA/ISA Interface

The PTMC pin should be strapped high to enable the EISA/ISA bus interface.

To use an 8-bit CPU interface, an external 8-bit multiplexer is required. This can be implemented using one buffer (LS244) for the lower 8 bits of the address bus and one transceiver (LS245) for the data bus. Address bus bits 8-15 are connected directly to the 82C452. The control and direction signals for the multiplexer are provided by the 82C452.

Since the EISA/ISA bus supports only 1 MB of memory, the high address pin ADDHI is connected



Block Diagram – 16-Bit EISA/ISA Bus Interface (8-Bit BIOS ROM)

to A19.

The RDY line on the EISA/ISA Bus can be driven directly by the 82C452. Depending on the load on the bus, it may be desirable to buffer this signal using a 3-state buffer.

An EISA/ISA bus implementation of the 82C452 also requires a BIOS ROM. The 82C452 supports a 32 KByte ROM BIOS. To interface a BIOS ROM, addresses 0C0000-0C7fffh are decoded and the ROMCS/ pin is pulled low for these addresses. When the ROM is being accessed, the 82C452 always keeps the external multiplexer in the address state. The ROM address pins can therefore be connected to the 82C452 multiplexed address/data bus. An additional buffer (LS244) is needed to buffer the ROM data onto the EISA/ISA data bus. The enable for this buffer is the ROMCS/ pin out of

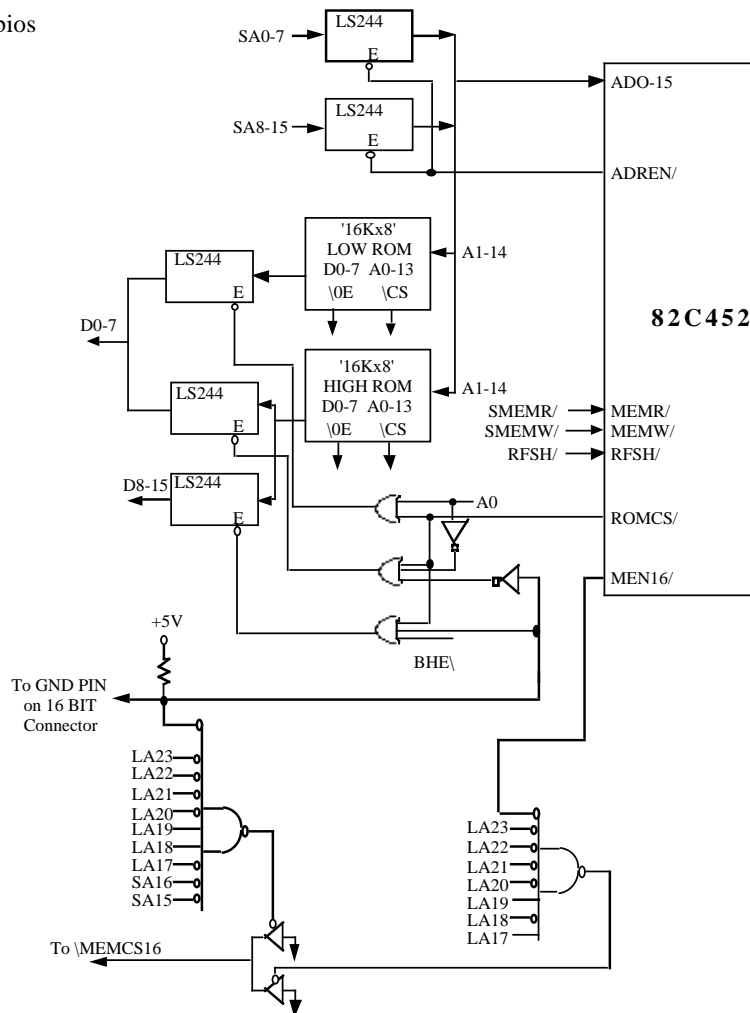
the 82C452.

To support the ROM paging scheme as done in IBM™'s VGA add in card for the EISA/ISA-bus, the 82C452 decodes I/O writes to the Paging Control Register (46E8h). External hardware must latch data bits 0-2 at this time and use the latched data bits to translate the ROM address. In this case, the ROMCS/ pin out of the 82C452 must be qualified by the external hardware to enable the buffer for the appropriate ROM addresses.

Like the IBM VGA add in card for the EISA/ISA bus, the 82C452 supports both a setup mode and an enable/disable mode. This is controlled by bits 3 and 4 of I/O port 46E8h. All hardware to implement this is included inside the 82C452.

**Note:**

This diagram shows the 16 bit bios interface in detail. Refer to previous diagram for 16 bit interface to the 82C452.



Block Diagram – 16-Bit EISA/ISA Bus Interface with 16-Bit BIOS ROM (16Kx8 ROMs)

### 16-Bit EISA/ISA Interface

The 16-bit interface supports 16-bit accesses to display memory and to the index/data pairs of I/O registers. The stand-alone registers and BIOS ROM are still accessed as 8-bit devices. A 16-bit BIOS interface can be supported. This is explained later in this section. Also, 16-bit accesses to display memory assume that the 82C452 controls the entire 0A0000-0Bffffh address space. This requires that the 82C452 be the only active video card in the system.

The PTMC pin is strapped high to enable the EISA/ISA bus interface.

The external 16-bit multiplexer can be implemented using two buffers (LS244s) for the address bus and two transceivers (LS245s) for the data bus. The control and direction signals for the multiplexer are provided by the 82C452.

Since the 82C452 resides only in the first megabyte of the CPU address space, the MEMR/ and MEMW/ pins are connected to the SMEMR/ and SMEMW/ signals on the EISA/ISA bus. The high address pin ADDHI is connected to A19. The 82C452 provides a pin called MEN16/ to support the 16-bit interface. This pin is low when the 16-bit memory interface is enabled and high when the 16-bit interface is disabled. This pin is controlled by bit 0 of the CPU Interface Register in the extended I/O address space. MEMCS16/ should be generated externally by decoding LA17 - LA23. MEN16/ can be used in the external decoding.

Pulling MEMCS16/ or IOCS16/ low causes the system logic to generate 235ns (min.) memory cycles (MEMR/ and MEMW/) and 175ns (min.) I/O cycles (IORD/ and IOWR/). If these pins are not pulled low then all command signals will be low for a minimum of 540ns.

A 16-bit I/O interface is supported. IOCS16/ is pulled low whenever the address pins A0-15 match a valid 16-bit I/O address and AEN is low. It is possible for this pin to be pulled low for memory

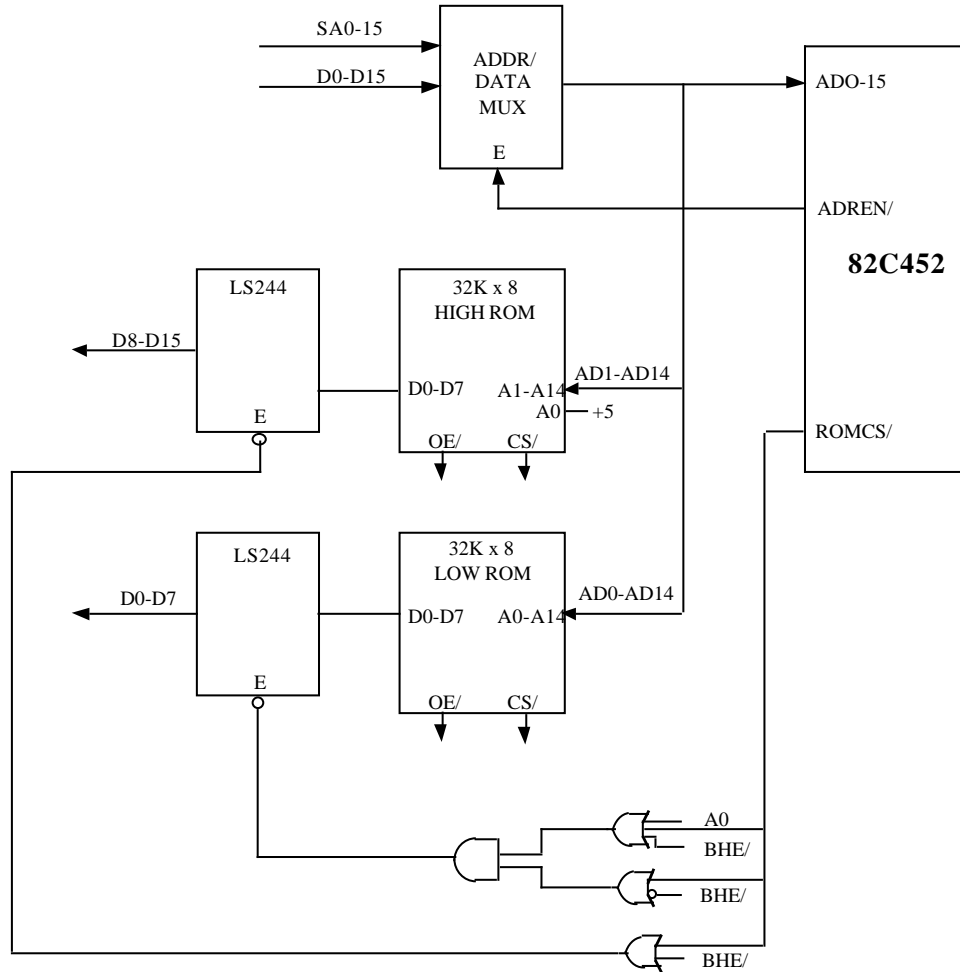
accesses. Pulling IOCS16/ active for memory accesses has no effect.

The RDY and IOCS16/ lines on the EISA/ISA bus can be driven directly by the 82C452. Depending on the load on the bus, it may be desirable to also buffer these signals using a 3-State buffer. The BIOS interface is similar to the 8-bit EISA/ISA bus interface. The ROM paging scheme is also similar to the 8-bit EISA/ISA bus interface as explained in the 8-bit EISA/ISA interface section.

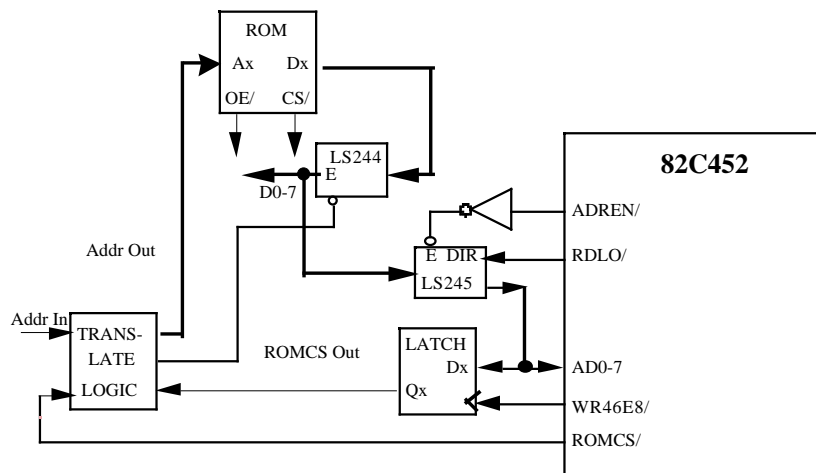
The 82C452 also supports a 16-bit BIOS interface. Note that extreme care should be taken to decode A15 - A23. In the PC/AT bus, addresses A15 and A16 are not available in the unlatched form. Care should be taken to guarantee that MEMCS16/ timing meets system specifications. This requires fast decoding of the addresses to generate the MEMCS16/ back to the system logic.

There are two ways to implement the 16-bit BIOS interface. 32K bytes of BIOS data can be split into two 16Kx8 ROMs. External control logic can steer the proper data byte on low or high data bus. This scheme is shown on the previous page. Another option is to use two 32k x 8 ROMs for low and high data bytes. In this scheme, BIOS does not have to be split. Both ROMs contain identical data. This is shown on the following page.

RDY is generated after a valid address and status (S0/, S1/ or MEMR/, MEMW/) is seen. In the EISA/ISA bus interface, RDY will always be low until after the data is available to the CPU. In the MCA case, RDY can go high before data is available.



Block Diagram - 16 bit BIOS ROM Interface (32Kx8 ROMs)



Block Diagram - ROM Paging



**CPU INTERFACE - MCA BUS**

The 82C452 supports the MCA interface when the strap pin (PTMC) is pulled low. The 82C452 has a multiplexed address and data bus. To use a 16-bit CPU interface, an external 16-bit multiplexer is required. This multiplexer can be implemented using two buffers (LS244s) on the address bus and two transceivers (LS245s) on the data bus. The control and direction signals for the external multiplexer are provided by the 82C452. The multiplexer control signal (ADREN/) is tied to the enable inputs of the buffers and is inverted and connected to the enable inputs of the transceivers. The direction of the transceivers is controlled by the RDLO/ and RDHI/ outputs from 82C452. Unless otherwise specified, the 82C452 always drives the transceivers away from the external bus.

The circuit diagram for the MCA interface is shown in the figure on the following page.

The CPU interface for the 82C452 is optimized for the CHIPS/250 and /280 Chipsets. The 82C452 also supports fast cycles with the Chipsets™. Using the VGAREQ/ signal, the 82C452 can request the /250 or /280 Chipsets to execute the current cycle at the fastest rate - 0 WS (200ns) at 10 MHz and 1 WS (187.5ns) at 16 MHz. The FAST VGA cycle gives additional boost to the system performance.

Since the 82C452 resides only in the first megabyte of CPU address space, the high address pin ADDHI is connected to decoded address A19-A23 (A31 on 80386 based systems). This signal is directly available in the CHIPS/250 and /280 Chipsets. All the address pins on 82C452 are connected (through the multiplexer) to the unlatched address lines in the system (MCA address bus). The 82C452 latches all

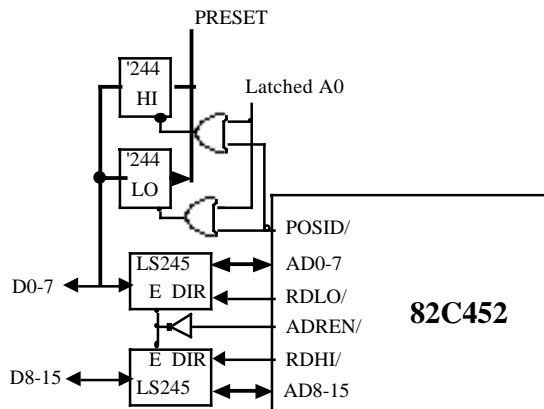
the addresses internally.

The 82C452 generates DS16/, RDY, and CSFB/ by decoding ADDHI, A0-18, and MIO/ as a valid memory or I/O address in the current display memory & I/O address space. These pins directly correspond to the DS16/, RDY and CSFB/ pins on the MCA. Although not necessary, it may be desirable for ESD protection to buffer these signals using 3-state buffers.

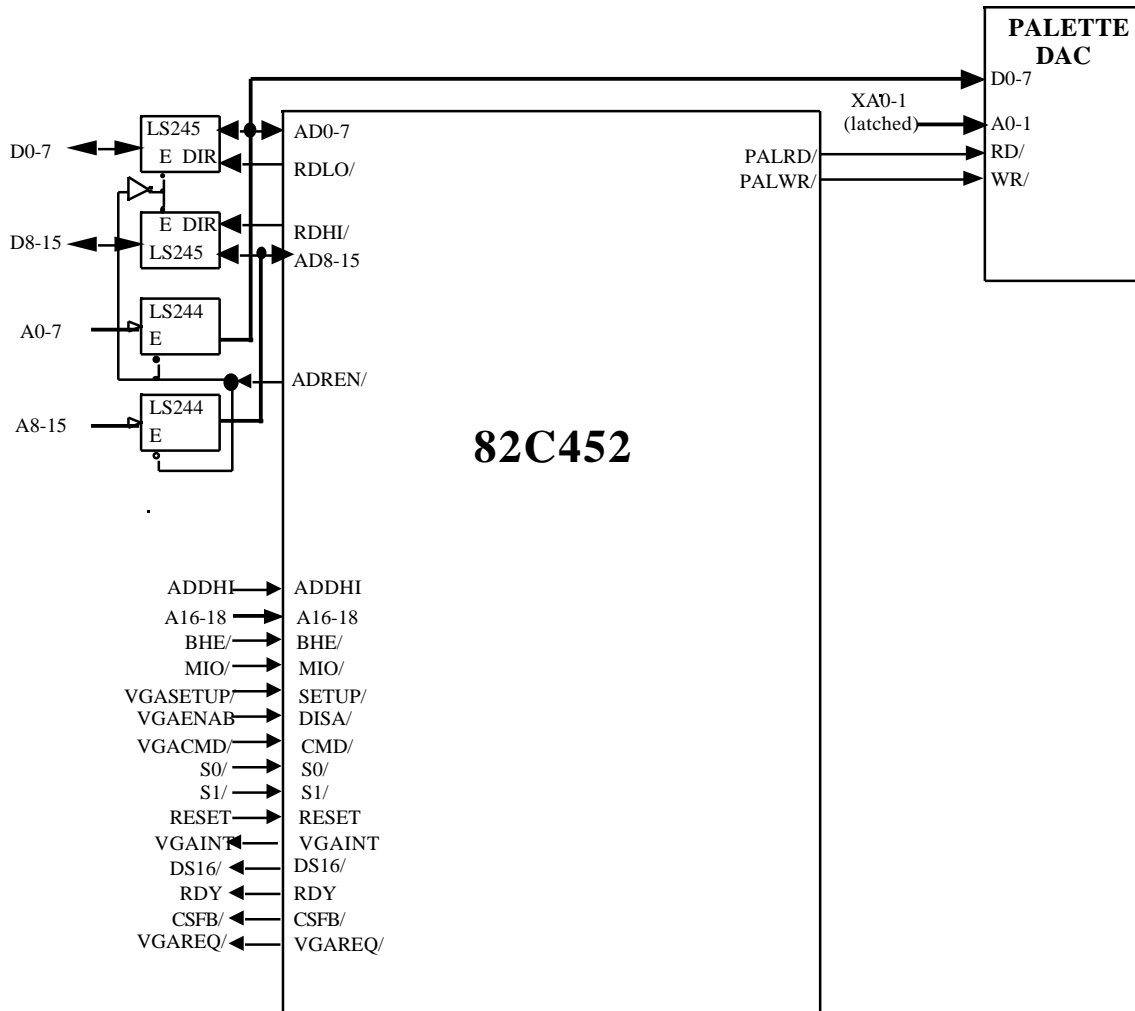
The RESET, S0/, S1/, MIO/ signals on the MCA can directly drive the corresponding pins on 82C452. The CMD/ signal on the MCA must be qualified with RFSH/ and then connected to the CMD/ pin on 82C452. The CHIPS/250 and /280 Chipsets provide a qualified command signal called VGACMD/.

In an MCA implementation, the 82C452 can be disabled by pulling the DISA/ pin low. This pin is typically controlled by bit 0 of port 3C3. CHIPS/250 and /280 Chipsets provide bit 0 of port 3C3 on the VGAENAB signal. The 82C452 can also be put in the setup mode by pulling SETUP/ pin low. This is typically done using bit-5 of port 94h. Again, the CHIPS/250 and /280 Chipsets provide this bit on a signal called VGASETUP/.

The standard IBM MCA implementation of VGA does not have a ID number. However, the 82C452 does support an external optional POS ID number. On I/O accesses to ports 100h and 101h during the setup mode, the POSID/ pin out of 82C452 is pulled low. External hardware can use this pin to gate the contents of an external POS ID number register on the CPU data bus (see figure below).



Block Diagram – POS ID Interface



Block Diagram – 16-bit MCA Interface

## SETUP AND ENABLE MODES

### Setup Mode

The 82C452 supports a setup mode. In this mode, only the configuration registers in the 82C452 are accessible. In the MCA interface, the setup mode is invoked when the SETUP/ pin is low. Typically, this pin is controlled by bit 5 of port 94h and is implemented in the system logic. In the PC-bus interface, setup mode is invoked by writing a '1' to bit 4 of port 46E8h. This port is incorporated inside the 82C452.

### Enable Mode

The 82C452 should be enabled for normal operation. With the MCA interface, the 82C452 disappears from the CPU memory and I/O space if the DISA/ input pin is low. This pin is controlled by bit 0 of port 3C3h. In the PC bus interface, bit 3 of port 46E8 = 0 disables the 82C452; 46E8 bit 3 = 1 enables the 82C452. For normal operation, the VGA should be programmed as follows:

#### MCA Bus Interface

- A. Bit 0 of port 3C3h must be 1; This will cause the DISA/ pin to be high, and
- B. The 82C452 should be put in setup mode (bit-5 of port 94h = 1 causing SETUP/ pin to go low); bit 0 of port xx2h = 1 then the 82C452 will be put back in normal mode (bit-5 of port 94h = 0)

#### PC Bus Interface

- A. Bit-3 of port 46E8h must be 1, and
- B. The 82C452 should be put in setup mode (bit-4 of port 46e8h = 1); and bit 0 of port xx2 = 1 then the 82C452 will be put back in normal mode (bit 4 of port 46e8h = 0).

## ENABLING EXTENDED REGISTERS

The 82C452 has extended registers to support the extra functionality of the chips. All functionality of the extended registers in the 82C452 is disabled on reset. The extended registers can be enabled by two sets of control bits (disabled on reset). No new bits are defined nor are any of the unused bits used, in the regular VGA registers.

Two separate registers are accessed to enable the extended functionality of the 82C452. The read/write accesses to the extended registers are controlled by the enable control bits. The functionality of the registers is always enabled (disabled on reset). The two registers are defined as follows:

- A. Global Enable Register. This register can be accessed at I/O address xx2 (octal) in setup mode. Bit 0 of this register determines if the VGA is in sleep mode or awake mode.
- B. Extended Enable Register. This register can be accessed at I/O address 103H in the setup mode. This register defines:
  - If the extended registers are enabled (bit 7)
  - If the Multiple VGA ID feature is to be enabled and if so, then the ID number of the currently active VGA (bits 0-4)

These registers are described in detail in the register description.

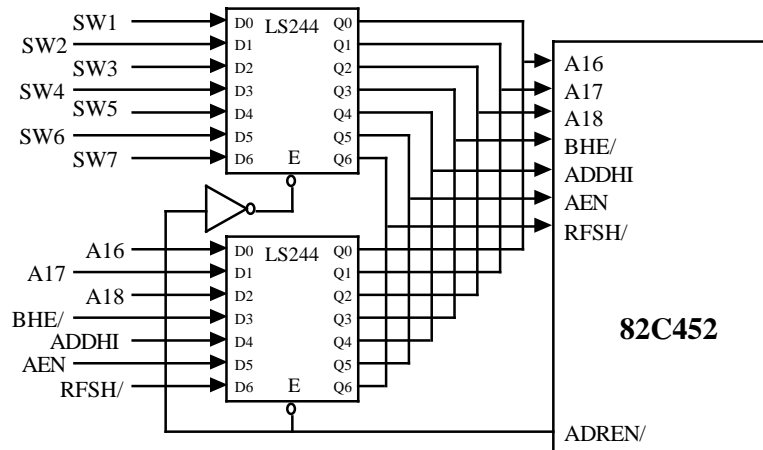
**DIP SWITCH INTERFACE**

The 82C452 supports up to 7 external DIP switches (see figures below). In the Microchannel interface, these switches are multiplexed on input pins BHE/, DISA/, MIO/, A16, A17, A18, and ADDHI. Two buffers (LS244s) are required to support this feature. The DIP switch state is read into an internal CPU accessible register when CMD/ is low.

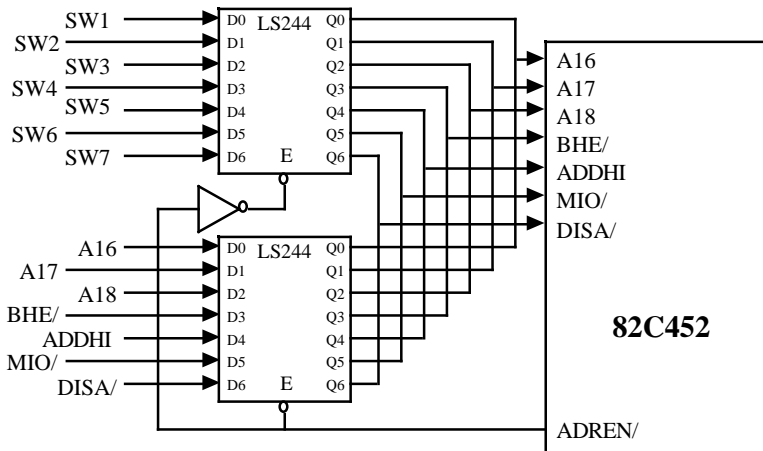
In the PC BUS interface, these switches are multiplexed on input pins BHE/, AEN, RFSH/, A16, A17, A18, and ADDHI. Two Buffers (LS244s) are required to support this feature. The DIP switch state is read into an internal CPU accessible register when IORD/ is low.

**MULTIPLE VGAs**

It is possible to support up to sixteen 82C452s in one system. Each 82C452 must have a unique number assigned to it through the above mentioned DIP switches. All 82C452s occupy the same memory and I/O address space. However, only one 82C452 responds to CPU accesses at a time. The currently active 82C452 is selected by writing an ID number for that 82C452 into the internal Extended Enable Register for all 82C452s. Only the 82C452 which has the same number on its DIP switches will respond to further CPU accesses.



Block Diagram – DIP Switch Interface (EISA/ISA Bus)



Block Diagram – DIP Switch Interface (MCA Bus)

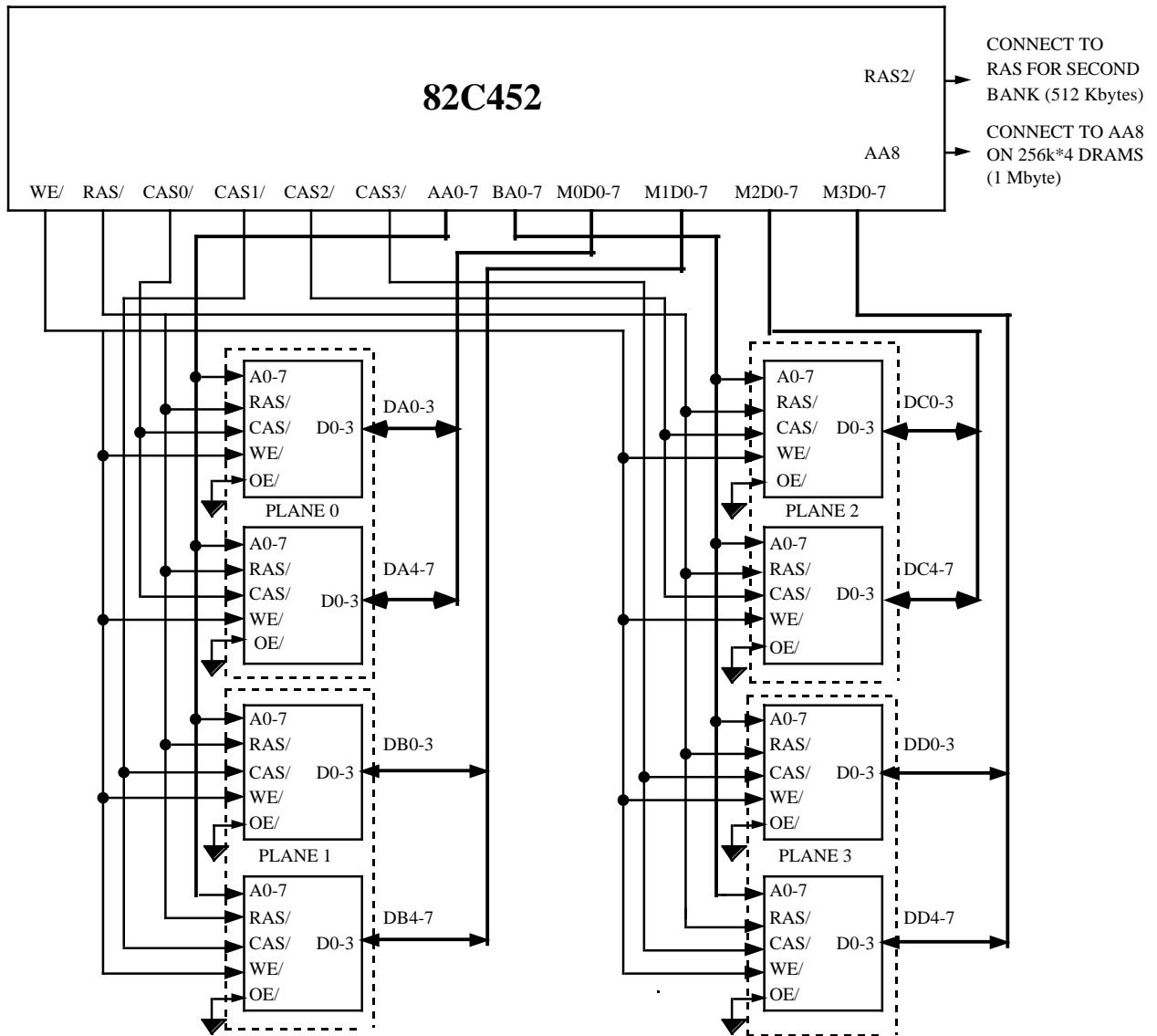
**DISPLAY MEMORY INTERFACE**

The DRAMs are organized as 4 planes. There are 4 bidirectional 8 bit data buses, one for each of the 4 planes. There are two 8 bit multiplexed address buses for planes 0, 1 and planes 2, 3, respectively. There is a common WE/ line for all 4 planes. To selectively write only to some memory planes, the 82C452 has four CAS/ lines, one for each plane. The DRAM data bus direction is indirectly controlled by RAS/, CAS/ and WE/ (the OE/ pins on the DRAMS are grounded). Proper damping resistors are required between the control pins on the 82C452 and the DRAM inputs.

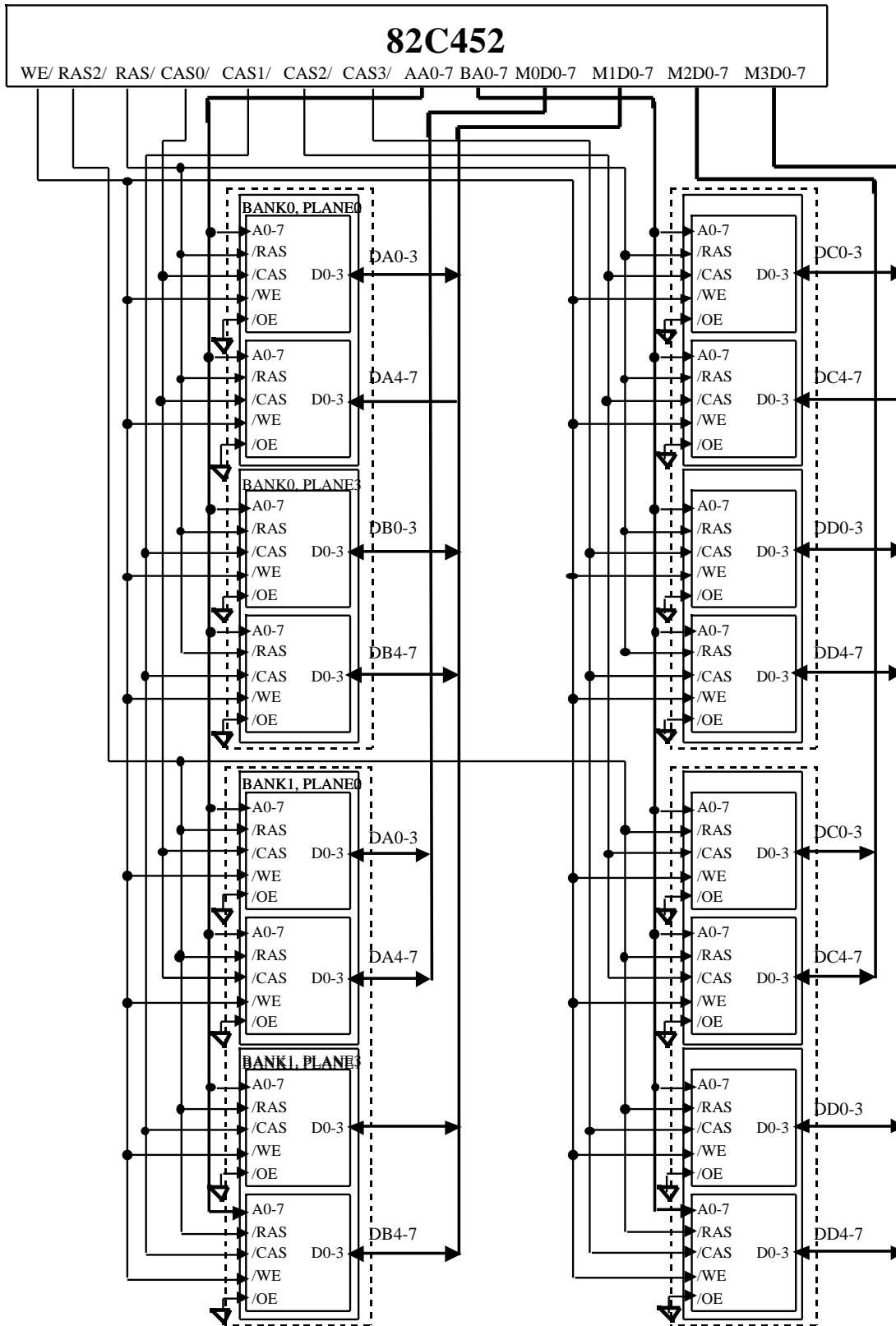
The typical loading on the DRAM interface lines is:

RAS	8 devices
CAS	2 devices
WE	8 devices
Addr	4 devices
Data	2 devices

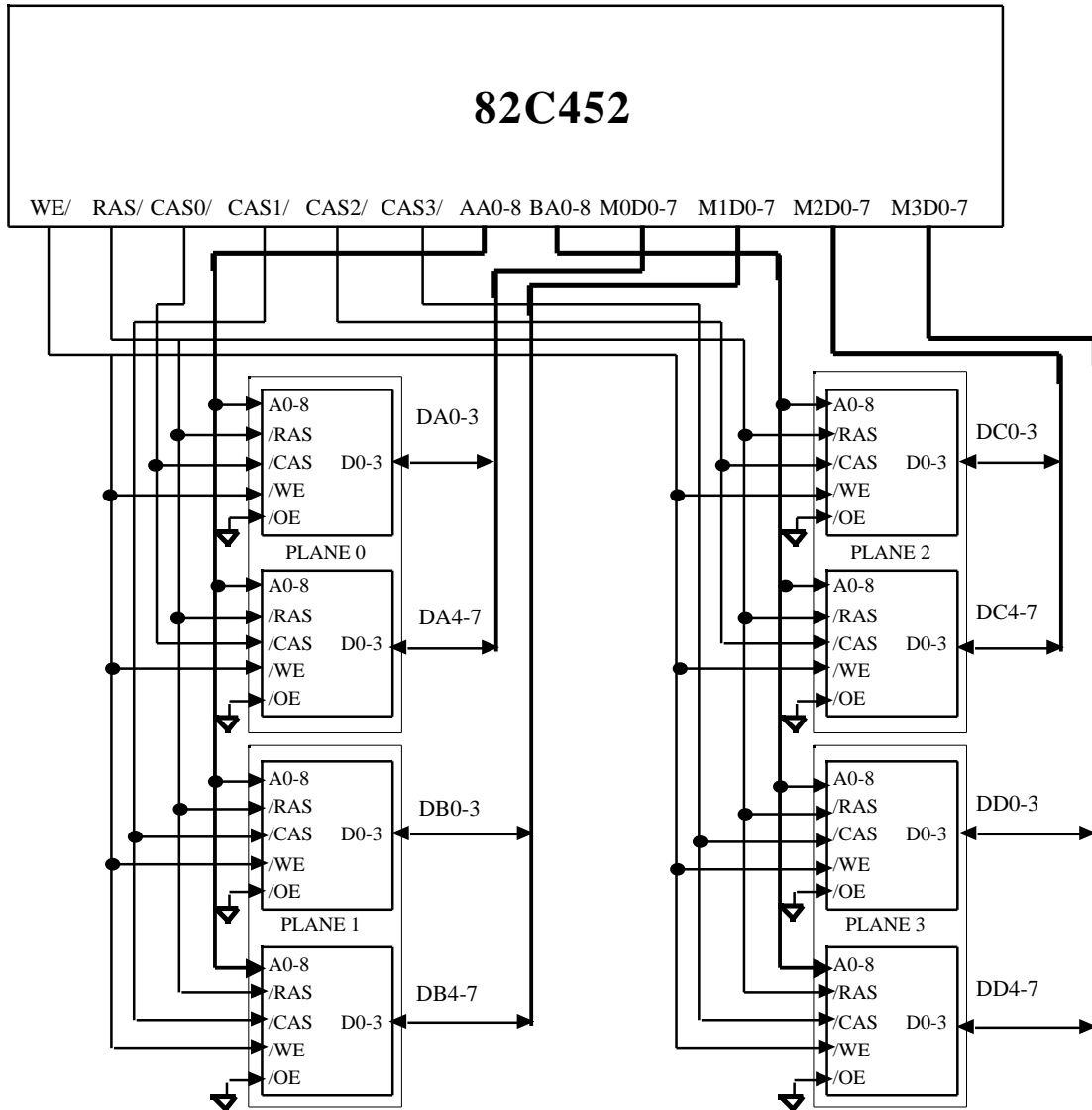
The 82C452 can support up to 1 MByte of memory.  
The 82C452 supports early write cycles into the DRAMs.



Block Diagram – DRAM Interface for 256 KBytes



Block Diagram – DRAM Interface for 512 KBytes



Block Diagram – DRAM Interface for 1 MByte

The 82C452 supports a high speed page mode DRAM interface. This along with the 16-bit data path and intelligent CPU arbitration can improve CPU performance by up to 8 times.

The 82C452 supports 256 KB, 512 KB and 1 MB of display memory as follows:

8	Devices 64K x 4	256 KB
16	Devices 64K x 4	512KB
8	Devices 256K x 4	1MB

The display memory interface consists of the following pins:

1	RAS
4	CAS
1	WE
18	Address (two sets of 9 pins)
32	Data (4 sets of 8 pins)
1	Auxiliary RAS

In 256 KB mode and 1MB mode, the Auxiliary RAS pin (RAS2) is not used. In 512KB mode this pin serves as the RAS pin for the second bank of memory.

The entire display memory (256 KBytes, 512 KBytes or 1 MByte) is always available to the CPU in regular 4 plane mode, chained 2 plane mode and in super chained 1 plane mode. There are two registers to map the entire memory in the CPU space. 82C452 allows either single or dual memory maps in the CPU space.

In the case of single mapping, only one window is available to the CPU to access the display memory. This window is defined by the Graphics Controller Register GR6. In the case of Dual Mapping, the CPU has two windows to access the display memory.

In graphics mode, all display memory cycles are page mode or fast page mode cycles. In contrast, with text modes, all display memory cycles are single access cycles or page mode cycles. All 8 bit CPU cycles are single access cycles. All 16-bit CPU cycles are two access page mode cycles. In odd/even mode, 16 bit CPU cycles are still a single memory cycle.

There is an on chip display FIFO. Depending on the amount of data in the FIFO, CPU accesses to display memory may be held off to insert wait states. If there is sufficient display data in the FIFO, the CPU access is acknowledged immediately. Typically, the CPU is acknowledged immediately if the FIFO is full when the CPU write request is seen.

The display memory control signals are derived from an independent clock (MCLK). MCLK can be between 32 - 40 MHz. The higher the MCLK, better

the performance. Refer to the timing section to find the relation between MCLK and DRAM parameters.

### Display Modes And Resolution

82C452 supports a superset of all VGA modes. The maximum display bandwidth is 200 Mbits/s - 25 MHz at 9 bits/pixel or 50 MHz at 4 bits/pixel. This translates to resolutions up to 640x480 in 256 colors (packed pixel mode), up to 960x720 in 16 colors (both planer and packed pixel mode) and up to 1280x960 in 4 colors (both planer mode and packed pixel mode). Higher resolution modes such as 1280x1024 four color modes can be supported with external hardware. This is shown in the figures on the following pages.

### Anti-Aliased Fonts (2bits/pixel)

82C452 supports 2 bit/pixel anti-aliased fonts in the text mode. The fonts in this mode are stored in corresponding addresses in memory planes 2(MSB) and 3(LSB), respectively. The two bits of the font pattern are output on video outputs V6 and V7, respectively. Video outputs V0-V5 are generated by the on-chip as defined by the attribute byte. Font pattern 00 is treated as background, whereas font patterns 01, 10 and 11 are all treated as foreground. Blinking and cursor are supported in the 2 bit/pixel font mode. The exact color mapping for the anti-aliased fonts has to be done in the external palette DAC.

### Extended Text Mode

A new text mode is supported, called extended text mode. In this mode, only one font is supported. The DRAM cycles in this mode are sequential page mode cycles resulting in higher dot clock frequencies (up to 40 MHz). This extended text mode gives much higher performance than regular text mode as it supports page mode cycles. This mode should be enabled when the dot clock is greater or equal than the MCLK being used.



### VIDEO INTERFACE

The 82C452 supports both digital and analog video interfaces. It has all the necessary logic built in to support the external palette interface. It generates the RD/ and WR/ signals for the external palette by decoding CPU I/O addresses 3C6 - 3C9h as valid palette addresses.

It is also possible to program the 82C452 to decode addresses 83C6 - 83C9h. This allows the use of a palette/DAC like a Brooktree® Bt471 which has additional overlay registers and therefore needs more addressability.

### Screen Blanking

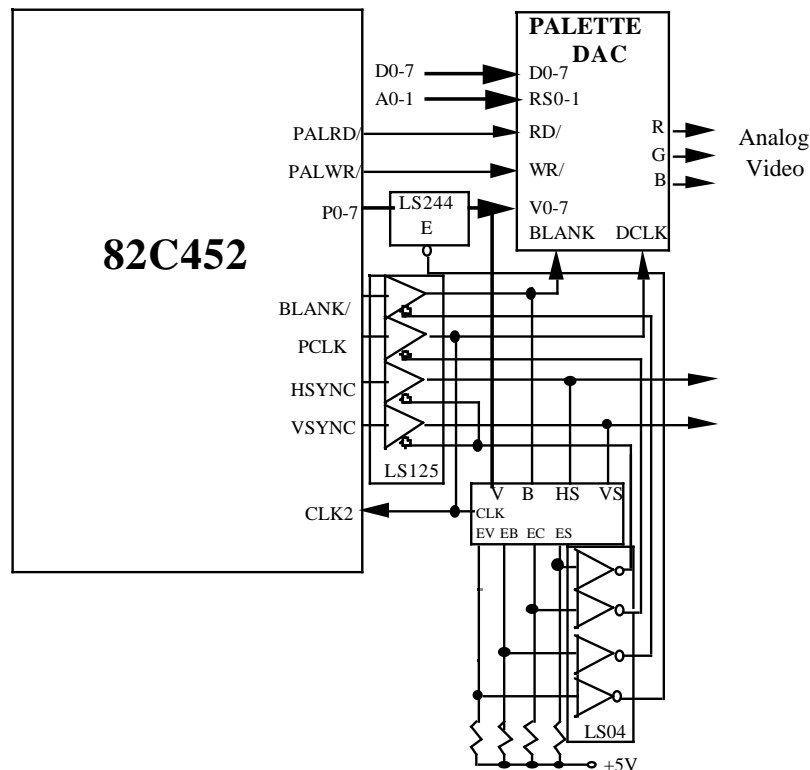
The 82C452s support screen blanking by writing to a control register (as in IBM's VGA). During this time, all memory cycles are available to the CPU. Unlike the IBM VGA, the video output can be programmed to be forced to a predefined color (default video) whenever the BLANK/ pin is asserted. When BLANK/ is asserted, the video outputs are forced to the default color exactly at the same time (dot clock).

### Monitor Type Detection

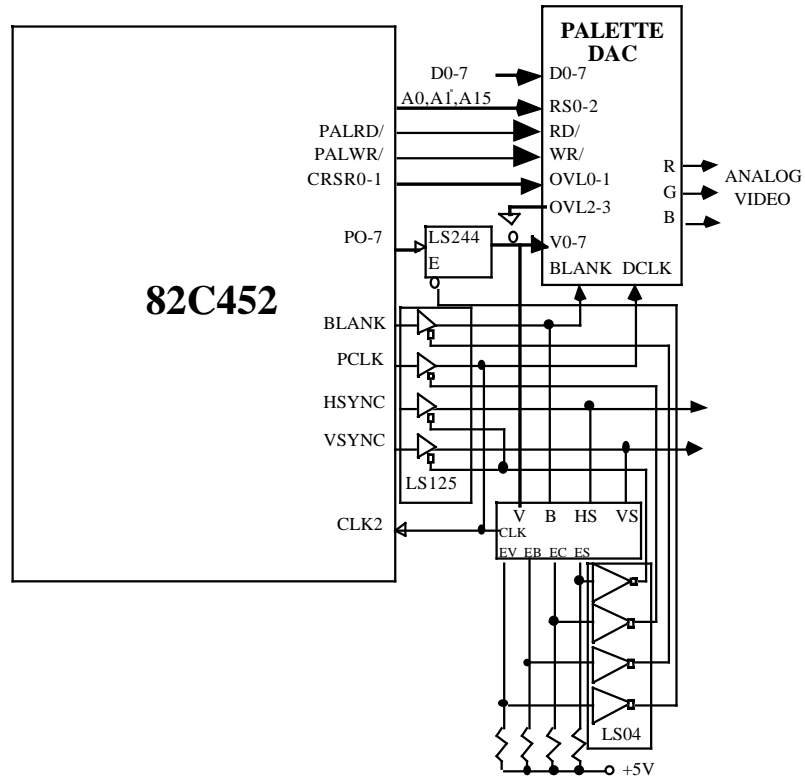
82C452 also supports an IBM compatible monitor detection scheme. Refer to the figure on the following page.

### High Resolution Video

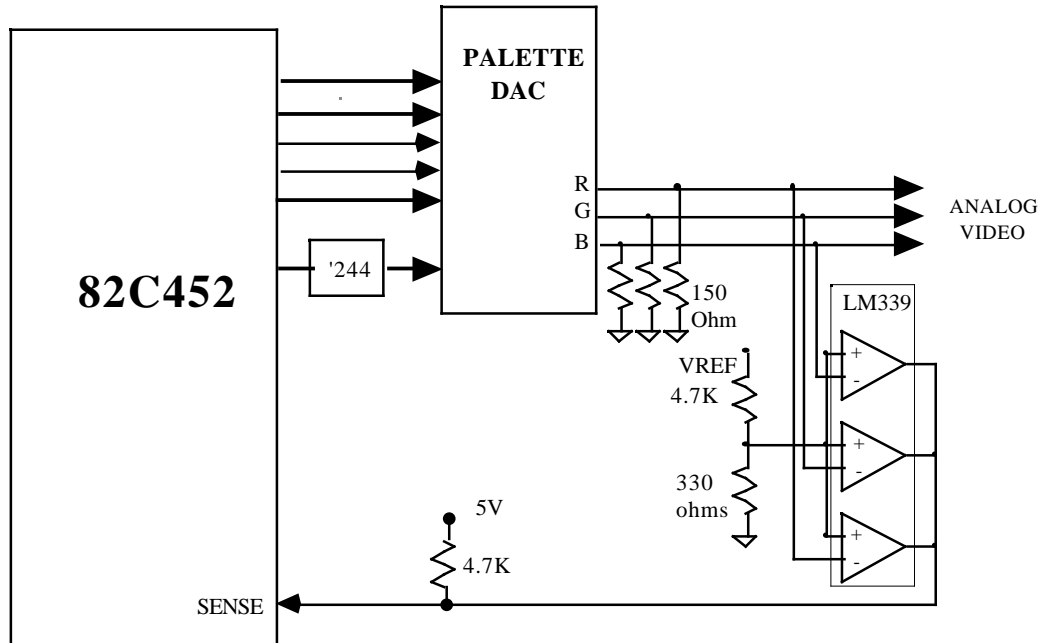
Several possible implementations which allow high resolution modes are shown on the following pages.



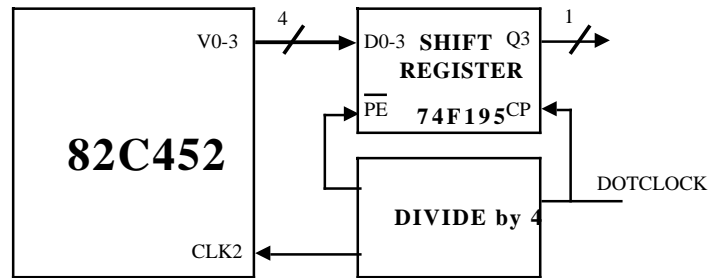
Block Diagram – Inmos Palette DAC (IMSG176/178)



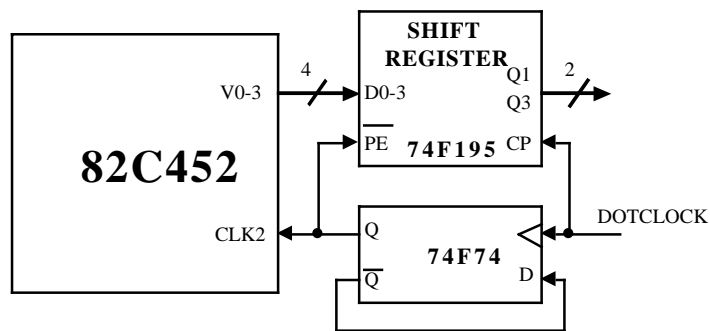
Block Diagram – Brooktree Palette DAC (BT47x)



Block Diagram – Monitor Type Detection



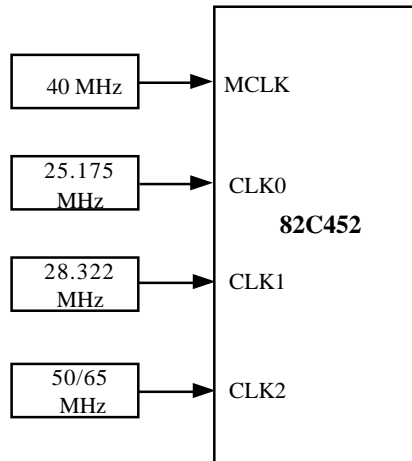
Block Diagram – Ultra High Resolution Monochrome Video Interface



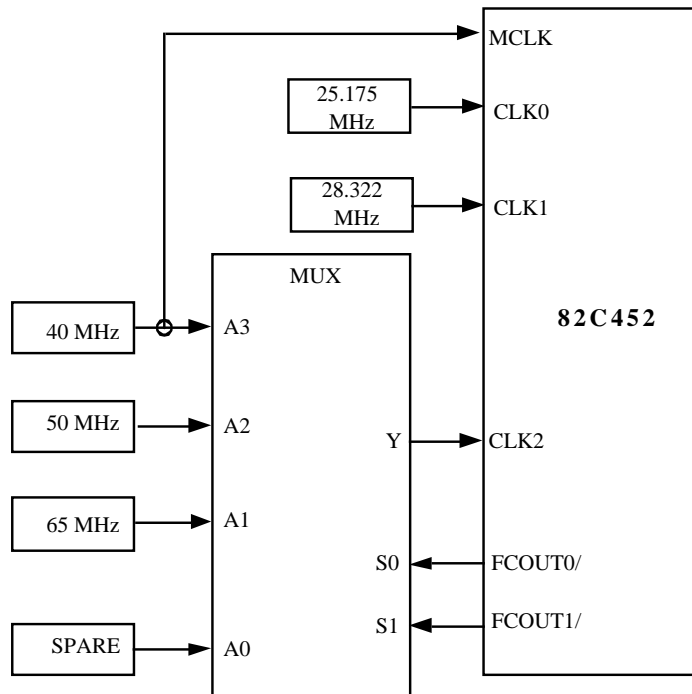
Block Diagram – Super High Resolution (4 Color) Video Interface

**CLOCK INTERFACE**

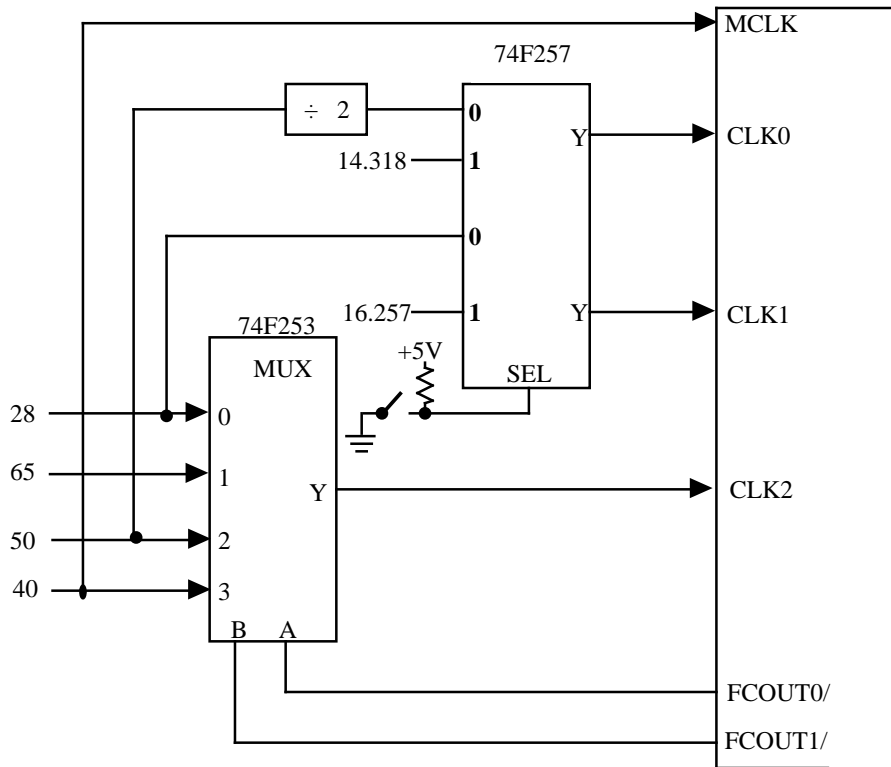
82C452 has 3 display clock inputs and 1 memory clock input. MCLK can also be used as a display clock. For a minimum system configuration 82C452 can support up to 4 display clocks. This configuration will support up to 640x480 256 color mode. With an external multiplexer, up to six display clocks can be supported. This is shown in the typical clock interface figure. 82C452 also supports digital monitor clocks. The clock scheme for a digital monitor support (shown in following pages) can also be interfaced to an external clock chip.



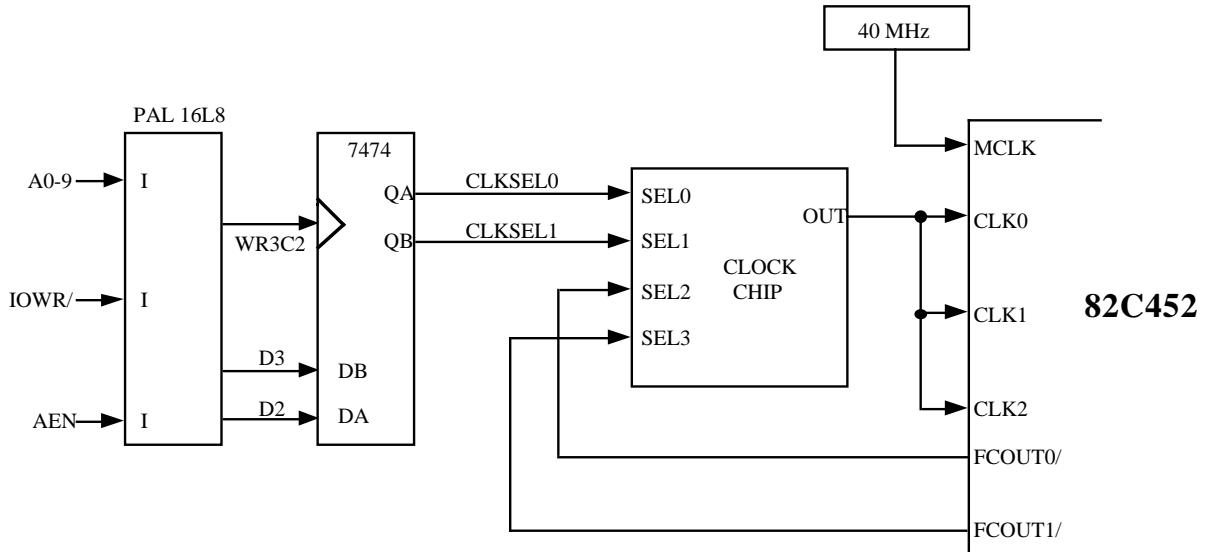
Block Diagram – Clock Interface - Minimum



Block Diagram – Clock Interface - Typical



Block Diagram – Clock Interface - Digital Monitor Support



$WR3C2 = \neg IOWR \& \neg AEN \& A9 \& A8 \& A7 \& A6 \& \neg A5 \& \neg A4 \& \neg A3 \& \neg A2 \& A1 \& \neg A0$

Block Diagram – Clock Interface - Clock Chip

## GRAPHICS CURSOR

The 82C452 supports a 32 pixel wide and 512 pixel high graphics cursor. The graphics cursor can be positioned anywhere on the screen at pixel resolution. It can be enlarged and can be horizontally doubled to occupy 64 pixels on the screen. (It can still be placed at single pixel resolution on the screen). The cursor supports transparency and can be any arbitrary shape within the outside box. **The hardware cursor is based on the definition of the graphics pointer in Microsoft Windows™.** Use of the graphics cursor frees the CPU of the responsibility of managing the pointer in any graphics environment like Windows or Presentation Manager™ leading to improved performance of application programs. The graphics cursor pattern is stored in display memory in a 2 bit/pixel format. The storage format is the same as the 2 bit/pixel chained mode.

The graphics cursor pattern can be output on two cursor status pins. These pins can be used to interface to an external palette DAC that supports an overlay feature. The cursor pattern can also be used to modify the video data stream generated by 82C452. This allows the graphics cursor to be used with external palette/DACs that do not support the overlay feature. The cursor pattern is loaded into the chip during the horizontal retrace period. The graphic cursor is stored in display memory as follows:

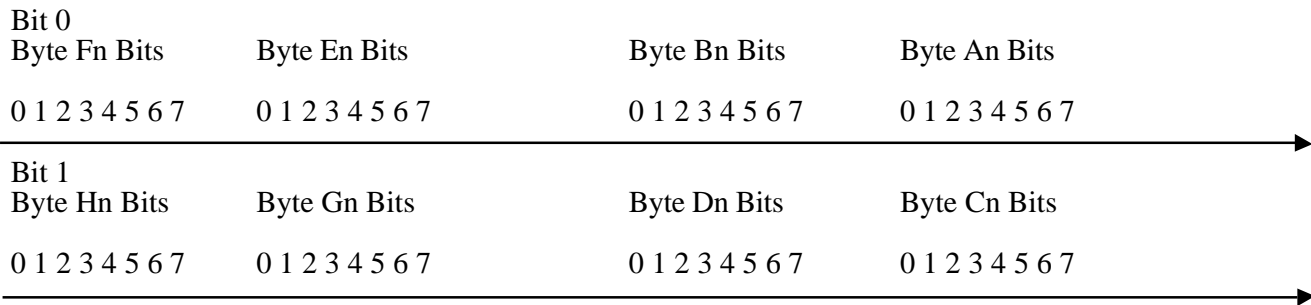
**Start Address bits 2-17 = Graphics Cursor Start Pointer Register, bits 0-1 = 0.**

Plane 0: Byte A0; Unused; Byte E0; Unused; Byte A1; Unused; Byte E1; Unused; -  
 Plane 1: Byte B0; Unused; Byte F0; Unused; Byte B1; Unused; Byte F1; Unused; -  
 Plane 2: Byte C0; Unused; Byte G0; Unused; Byte C1; Unused; Byte G1; Unused; -  
 Plane 3: Byte D0; Unused; Byte H0; Unused; Byte D1; Unused; Byte H1; Unused; -

Every alternate byte in display memory is skipped while fetching the cursor pattern.

A0-H0=Data for Scan line 0 of the cursor, A1-H1=Data for Scan line 1 of the cursor, etc.

The cursor Shift Register is formatted as follows:



The organization of the graphics cursor in display memory is independent of display memory being organized in odd/even or shift 4 modes. The graphics cursor pattern must always be physically organized in display memory as described above. For every scan line, after the scan line defined by the Y-position register, the internal Graphics Cursor Address Pointer is incremented by 2 counts. The graphics cursor is displayed on every line until the middle 8 bits of the internal graphics cursor address pointer match the graphics cursor end address registers. When double scanning is enabled, the display memory data is double scanned, but the graphics cursor pattern is not double scanned. The graphics cursor supports transparency and logical operations, so smaller graphics cursors can be easily displayed.

82C452 supports two graphics video data replacement modes. Cursor Modes (cursor modes):

**VIDEO DATA REPLACEMENT**

- Mode 0:** The graphics cursor is disabled in this mode. Video data comes out of the chip without any modification.
- Mode 1:** Video data coming out of the chip is modified. Only those bits (planes) of video data as defined in a mask register are affected, the other bits are left unchanged. Video data is modified as follows:

<u>Graphics Cursor Pattern</u>	<u>Function</u>
00	Video data is not modified
01	Video data is inverted
10	Video data is replaced by the contents of graphics cursor color register 0
11	Video data is replaced by the contents of graphics cursor color register 1

Apart from the above modes, the Graphics Cursor pattern can be output on the Cursor Status pins or the Cursor Status pins can be defined to be 0. This is controlled by a bit in the Cursor Mode register (XR37).

The Graphics cursor can also be output continuously, or blinked 16 or 32 times per frame. When the cursor is blinking, it alternates between being on and off (transparent). Cursor Registers are located at XR30-XR3A.

**SPECIAL WRITE MODES (SUD)**

82C452 includes three new write modes. These modes use a proprietary patented Sliding Unit Delay (SUD) algorithm to write non-byte aligned data on the screen. The three write modes are:

- Mode 0\* :** Similar to write mode 0. CPU Data is shifted and mixed with the overflow bits from the previous write cycle. Software must initialize the hardware once for every block write sequence. This is done by writing into the Sliding Delay Registers. The byte alignment shift count is defined in the rotate count field in the Data Rotate Register (GR03).
- Mode 1\*:** Similar to write mode 1. Data is moved from display memory to display memory. Software must initialize the hardware once for every block write sequence. This is done by writing into the sliding delay registers. The byte alignment shift count is defined in the rotate count field in the Data Rotate Register.
- Mode 3\*:** Similar to write mode 3. CPU Data is shifted and mixed with the overflow bits from the previous write cycle. Software must initialize the hardware once for every block write sequence. This is done by writing into the Sliding Delay Registers. The byte alignment shift count is defined in the rotate count field in the Data Rotate Register (GR03).

In all modes the direction of shifting is programmable. The carry over data can be read back through a register. This register can also be written in to initialize the hardware. SUD registers are located at XR20-XR24.

**FRAME INTERRUPTS**

The 82C452 Supports frame interrupts on variable number of frames 1 through 32, (on reset: every frame). This feature is controlled by XR2A.

## Compatibility

The 82C452 is compatible with the VGA, EGA, Hercules, CGA and MDA display standards. In general, application software written for one of these standards can be run on a 82C452-based system if a monitor with a resolution equal to or greater than that display standard is used.

The 82C452 provides several features which aid in the implementation of a display system compatible with these standards. These features are as follows:

- Write protection of internal registers using a Write Protect Register (one of the Backward Compatibility registers). This ensures that writes to internal registers initiated by applications software do not corrupt register values, enabling user to run software written for previous graphics standards.
- Two sets of display parameter registers are supplied. The 82C452 automatically selects the set to be used based on the current display mode and the type of display in use.

Certain assumptions are made regarding the VGA and backward compatibility:

- No NMI or any other interrupts have to be used. It is possible to generate NMI traps if required to support auto emulation.
- On power up the chip is always in VGA mode.
- There is no separate EGA mode. EGA mode is considered to be a special case of VGA mode. Special bits are provided to Write Protect some EGA specific registers. Software that uses the EGA in standard modes will work with the 82C452.
- In an implementation the display (CRT) is known and fixed.
- A software program can be executed to switch the chip into and out of CGA or Hercules modes. The software utility is consistent with the exact display being used. The BIOS for the 82C452 available from Chips & Technologies includes software to program the 82C452 in the VGA, EGA, CGA, MDA and Hercules modes.
- CGA/MDA/Hercules software can run on any monitor (EGA, Multisync™ or PS/2).
- When in CGA or Hercules mode, all VGA/EGA registers are unavailable.

- EGA, CGA, MDA and Hercules modes will definitely function in the standard defined modes.

### VGA REGISTER WRITE PROTECTION

To use the write protect features:

- Initialize the CRT controller or alternate registers to generate sync signals for the display in use.
- Write protect the CRT controller or alternate registers using the Write Protect Register.
- Permit the applications software to write CRT or alternate registers as if a particular display were in use. The 82C452 will operate as if a standard I/O write took place but will not permit protected registers to be altered.

### ALTERNATE REGISTER SETS

The 82C452 supplies two sets of Display Parameter Registers. These are summarized in the table below. To make use of these two sets:

1. Program one set for text mode and the other set for graphics mode.
2. Write protect both sets of registers using the Write Protect Register to prevent the application software from corrupting them.

The contents of the internal mode registers are interpreted automatically and either the text or graphics set of CRTC or alternate registers is selected accordingly to generate the correct display. Since the display memory format in text and graphics is identical, switching between these modes does not require CPU or application software intervention.

Display Parameter Registers used in CGA and Hercules modes:

<u>Emulation</u>	<u>Mode</u>	<u>H Reg Set</u>	<u>V Reg Set</u>
CGA	320x200	Alternate	Regular
CGA	640x200	Regular	Regular
Hercules	Text	Regular	Regular
Hercules	Graphics	Alternate	Regular

The BIOS supplied by Chips & Technologies can be used to initialize both sets of registers.



## COMPATIBILITY PROGRAMMING

## MODE

To enable backward compatibility, the chip is programmed as follows:

### VGA Mode

- A. Program the 82C452 exactly analogous to IBM's VGA. Disable the additional bits in the new registers.
- B. Select VGA mode (default).

### EGA Mode

- A. Program the 82C451/452 exactly analogous to IBM's VGA. Disable the additional bits in the new registers.
- B. Write protect Group 4 registers. Also protect the external palette, clock select register, internal palette (if desired) and all CRT sync registers.
- C. Force all 10th bits of vertical counters (including line compare) to 0.
- D. Select the EGA type frame interrupt. This is controlled with bit-7 of Emulation Mode Register.

### CGA Mode

- A. Program the regular CRT registers for the 640 pixels horizontal mode. The horizontal sync rate must be consistent with the monitor used. Program the Alternate Horizontal Register for 320 pixels horizontal mode.
- B. The vertical resolution can be 200 or 400 lines. The vertical sync rate must be consistent with the monitor used.
- C. Load the font in the memory .
- D. Pre-program all registers in Sequencer, Attribute Controller and Graphics Controller as in Mode 2.
- E. Set the sync polarity as required for 200 or 400 lines.
- F. Enable Double Scanning (if required by the monitor).
- G. Program the CGA Mode Control Register (3D8h) and Color Palette Register (3D9h) as required. These registers are implemented in hardware.
- H. Write Protect Group 1, Group 3, and Group 4 registers.
- I. Select CGA mode.

The 82C452 will automatically respond to 320/640 pixels/line and text/graphics mode as defined in the

CGA Mode Control Register (3D8h). In 40 column CGA modes, the alternate CRTC registers are used.

### MDA Mode

- A. Program the regular CRT registers in the 720 pixels horizontal mode with 9 pixels/character. The horizontal sync rate must be consistent with the monitor used.
- B. The vertical resolution must be 350 lines. The vertical sync rate must be consistent with the monitor used.
- C. Load the font in memory .
- D. Pre-program all registers in Sequencer, Attribute Controller and Graphics Controller as in Mode 7.
- E. Set the sync polarity as required for 350 lines.
- F. Write Protect Group 1, Group 3, and Group 4 registers.
- G. Select MDA mode.
- H. Hercules Control Registers do not work in this mode.

### HERCULES Mode

- A. Program the regular CRT registers for 720 pixels horizontal mode with 9 dots/character. Program the alternate registers for 720 pixels with 8 dots/character. The clock divide parameter must be set to divide by 8 (not 9).
- B. The vertical resolution must be 350 lines. The vertical sync rate must be consistent with the monitor used. The vertical display end must be programmed to 350 Lines (Text Mode). In Graphics mode, 2 lines will automatically be subtracted. The Vertical Sync and Blank parameters must be programmed greater than 350 lines.
- C. Load the font in the memory.
- D. Pre-program all registers in the Sequencer, Attribute Controller, and Graphics Controller as in Mode 7. The 8/9 divide bit in the sequencer must be set to divide by 8.
- E. Set the sync polarity as required for 350 lines.
- F. Program the Display Mode Control Register (3B8h) and Hercules Configuration Register (3BFh) as required. These registers are implemented in hardware.
- G. Write Protect Group 1, Group 2, and Group 3 registers.
- H. Select Hercules mode.

The 82C452 will automatically respond to text, half graphics and full graphics modes as defined in the Mode Control Registers (3B8h and 3BFh). The regular CRT Offset Register is used in Hercules text mode. In Hercules graphics mode, the offset is defined in the Alternate Offset and Auxiliary Offset Registers. The Alternate Horizontal Registers are used in the Hercules Graphics mode.

When Emulation is enabled and the extended registers are disabled, bits 1 and 2 of the CRTC Register addresses are ignored (Similar to CGA and Hercules). The CRTC Registers occupy addresses 3B0h - 3B7h (3D0h - 3D7h).

### **AUTO EMULATION TRAPS**

The 82C452 also supports trap generation for auto emulation purposes. The traps can be enabled on various conditions as defined in the Trap Enable Register. Traps are generated for I/O Write cycles only.

### **LIGHT PEN REGISTERS**

In the CGA and Hercules modes, the contents of the Display Address counter is saved at the end of the frame before being reset. The saved value can be read in the CRT Controller Register space 10h and 11h. This allows simulating the Light Pen Hit technique to detect text/graphics modes on the CGA/Hercules cards.

*This page was intentionally left  
blank*

## 82C452 Electrical Specifications

### 82C452 ABSOLUTE MAXIMUM CONDITIONS

Symbol	Parameter	Min	Max	Units
$P_D$	Power Dissipation	–	1	W
$V_{CC}$	Supply Voltage	–0.5	7	V
$V_I$	Input Voltage	–0.5	$V_{CC}+0.5$	V
$V_O$	Output Voltage	–0.5	$V_{CC}+0.5$	V
$T_{OP}$	Operating Temperature (Ambient)	–25	85	°C
$T_{STG}$	Storage Temperature	–40	125	°C

**Note:** Permanent device damage may occur if Absolute Maximum Ratings are exceeded. Functional operation should be restricted to the conditions described under Normal Operating Conditions.

### 82C452 NORMAL OPERATING CONDITIONS

Symbol	Parameter	Min	Max	Units
$V_{CC}$	Supply Voltage	4.75	5.25	V
$T_A$	Ambient Temperature	0	55	°C

### 82C452 DC CHARACTERISTICS

(Under Normal Operation Conditions Unless Noted Otherwise)

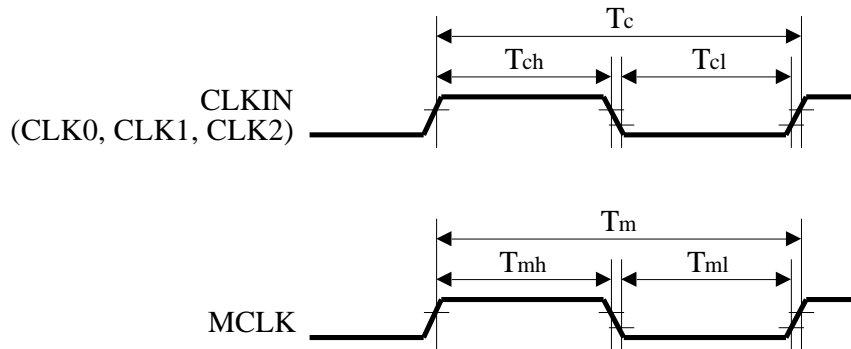
Symbol	Parameter	Notes	Min	Max	Units
$I_{CC1}$	Power Supply Current	@28.332 MHz CLK, 0°C, 5.25V	–	150	mA
$I_{IL}$	Input Leakage Current		–10	+10	uA
$I_{OZ}$	Output Leakage Current	High Impedance	–10	+10	uA
$V_{IL}$	Input Low Voltage		–0.5	0.8	V
$V_{IH}$	Input High Voltage		2.0	$V_{CC}+0.5$	V
$V_{OL}$	Output Low Voltage	$I_{OL} = 8$ mA (RDY,IRQ,TRAP/,VGAREQ/,RAS/,WE/)	–	0.45	V
	(@4.75V)	$I_{OL} = 4$ mA (all others)	–	0.45	V
$V_{OH}$	Output High Voltage	$I_{OL} = -8$ mA (RDY,IRQ,TRAP/,VGAREQ/,RAS/,WE/)	2.4	–	V
	(@4.75V)	$I_{OH} = -4$ mA (all others)	2.4	–	V

Electrical specifications contained herein are preliminary and subject to change without notice.

**82C452 AC TIMING CHARACTERISTICS - CLOCK TIMING**

Symbol	Parameter	Notes	Min	Typ	Max	Units
$T_C$	CLK Period (50 MHz)	82C452-50	20	–	–	nS
$T_C$	CLK Period (65 MHz)	82C452 Note 1	15.38	–	–	nS
$T_{CH}$	CLK High Time		$0.45T_C$	–	$0.55T_C$	nS
$T_{CL}$	CLK Low Time		$0.45T_C$	–	$0.55T_C$	nS
$T_M$	MCLK Period	30-40 MHz (Note 1)	25	–	33	nS
$T_{MH}$	MCLK High Time		$0.45T_m$	–	$0.55T_m$	nS
$T_{ML}$	MCLK Low Time		$0.45T_m$	–	$0.55T_m$	nS
$T_{RF}$	Clock Rise / Fall		–	–	$0.05T_C$	nS

**Note 1:** For a 65 MHz video clock, MCLK should be 40 MHz.



**82C452 Clock Timing**

**82C452 AC TIMING CHARACTERISTICS - RESET TIMING**

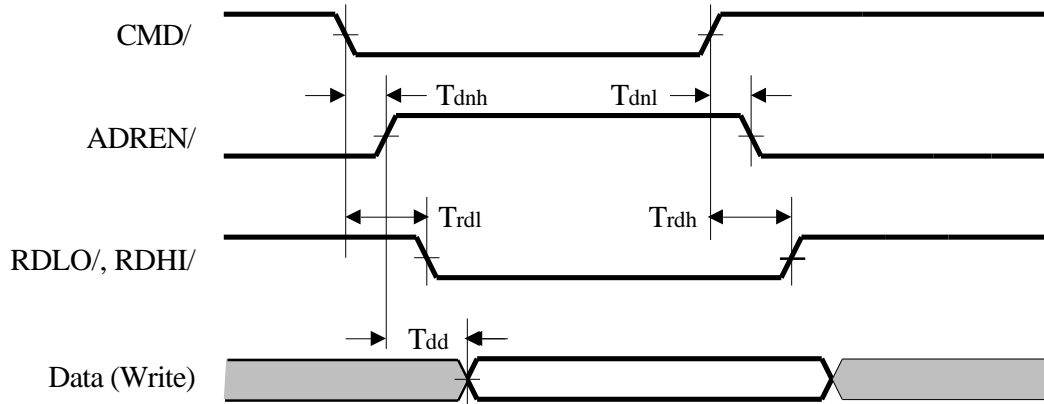
Symbol	Parameter	Notes	Min	Typ	Max	Units
tRST	RESET Pulse Width	Note 2	$64 T_C$	–	–	nS

**Note 2:** In CLKIN/2 mode tRST must be 128  $T_c$  minimum.

**82C452 AC TIMING CHARACTERISTICS - AD BUS MULTIPLEXER TIMING**

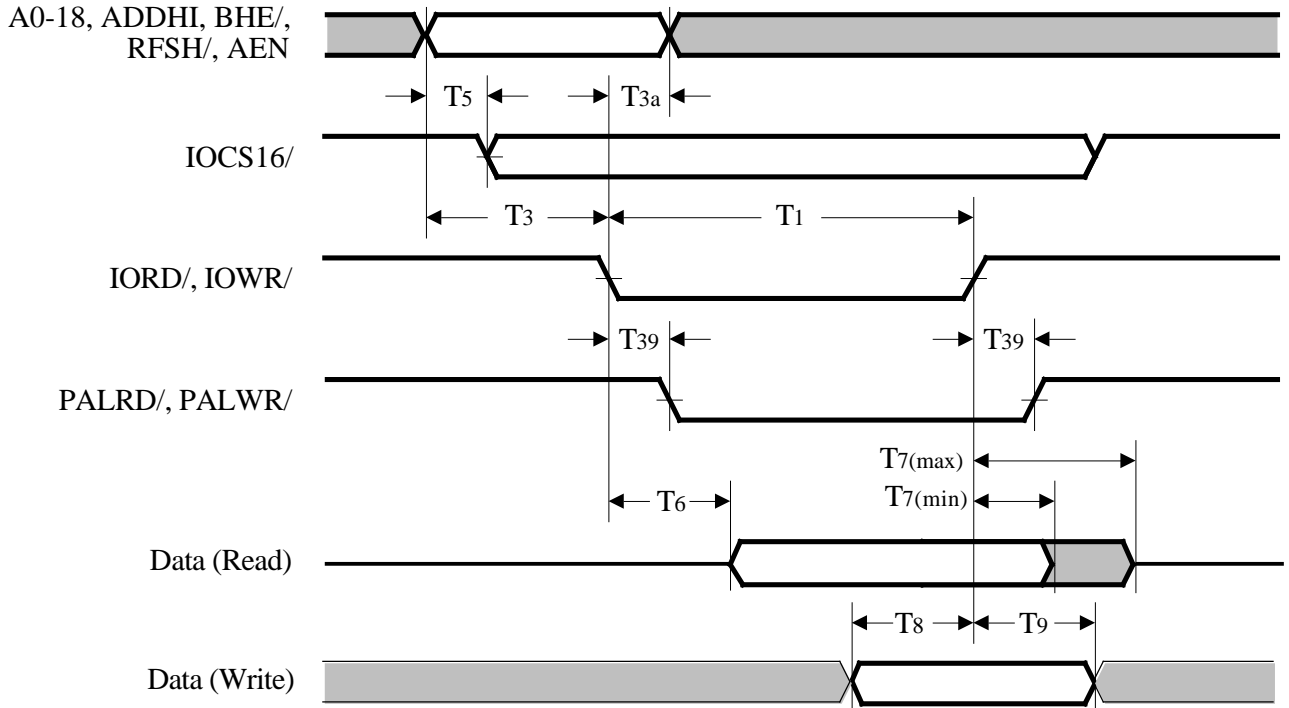
Symbol	Parameter	Notes	Min	Typ	Max	Units
$T_{dnh}$	Strobe falling to ADREN/ rising		–	–	15	nS
$T_{dnl}$	Strobe rising to ADREN/ falling		–	–	15	nS
$T_{rdl}$	ADREN/ rising to RDLO/ and/or RDHI/ falling		–	–	20	nS
$T_{rdh}$	ADREN/ falling to RDLO/ and/or RDHI/ rising		–	–	20	nS
$T_{dd}$	ADREN/ rising to write data valid		–	–	20	nS

Strobe (CMD/ for MCA; IORD/, IOWR/, MEMR/, or MEMW/ for EISA/ISA)

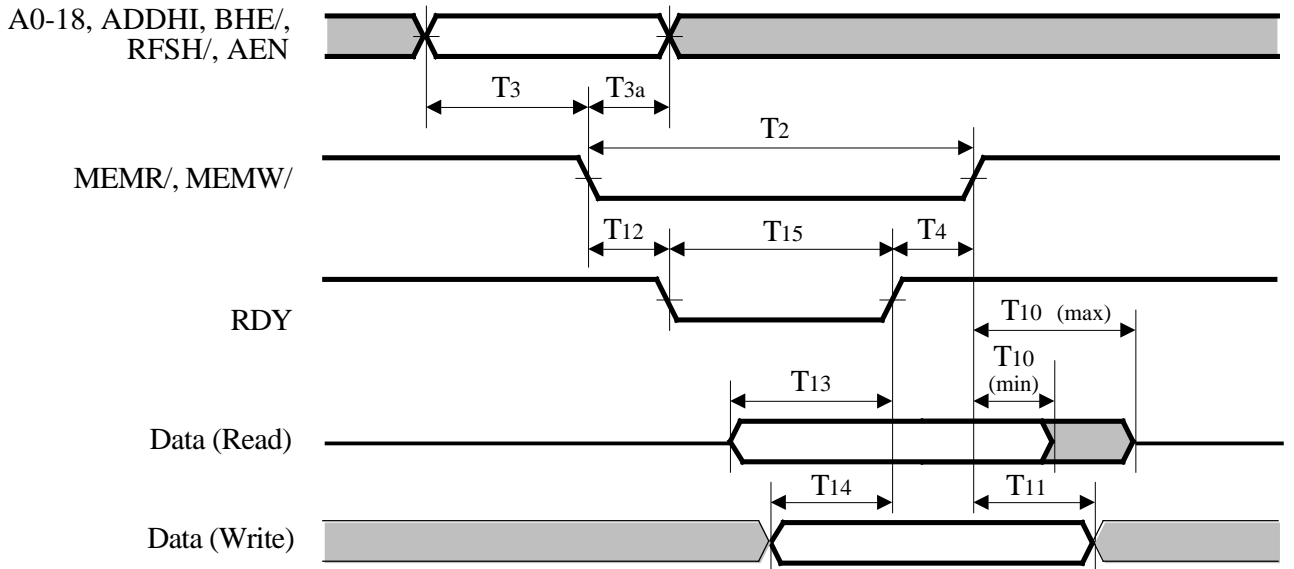

**82C452 AD Bus Multiplexer Timing**

**82C452 AC TIMING CHARACTERISTICS - EISA/ISA BUS TIMING**

Symbol	Parameter	Notes	Min	Typ	Max	Units
T1	IORD/, IOWR/ Pulse Width		175	–	–	nS
T2	MEMR/, MEMW/ Pulse Width		175	–	–	nS
T3	Address setup to Read/Write		30	–	–	nS
T3a	Address hold from Read/Write Signal		20	–	–	nS
T4	MEMR/, MEMW/ hold from RDY (Memory)		0	–	–	nS
T5	IOCS16/ Delay from valid address		–	–	35	nS
T6	I/O Read Data delay from IORD/		–	–	50	nS
T7	I/O Read Data hold from IORD/		5	–	40	nS
T8	I/O Write Data setup to IOWR/		40	–	–	nS
T9	I/O Write Data hold from IOWR/		10	–	–	nS
T10	Memory Read Data hold from MEMR/		10	–	40	nS
T11	Memory Write Data hold from MEMW/		0	–	–	nS
T12	MEMR/, MEMW/ to RDY Low delay		–	–	25	nS
T13	Memory Read Data setup to RDY		25	–	–	nS
T14	Memory Write Data setup to RDY		40	–	–	nS
T15	RDY width		7Tc	–	128Tc	nS
T39	PALRD/, PALWR/ delay from Read/Write		–	–	25	nS



**EISA/ISA Bus I/O Cycle Timing**

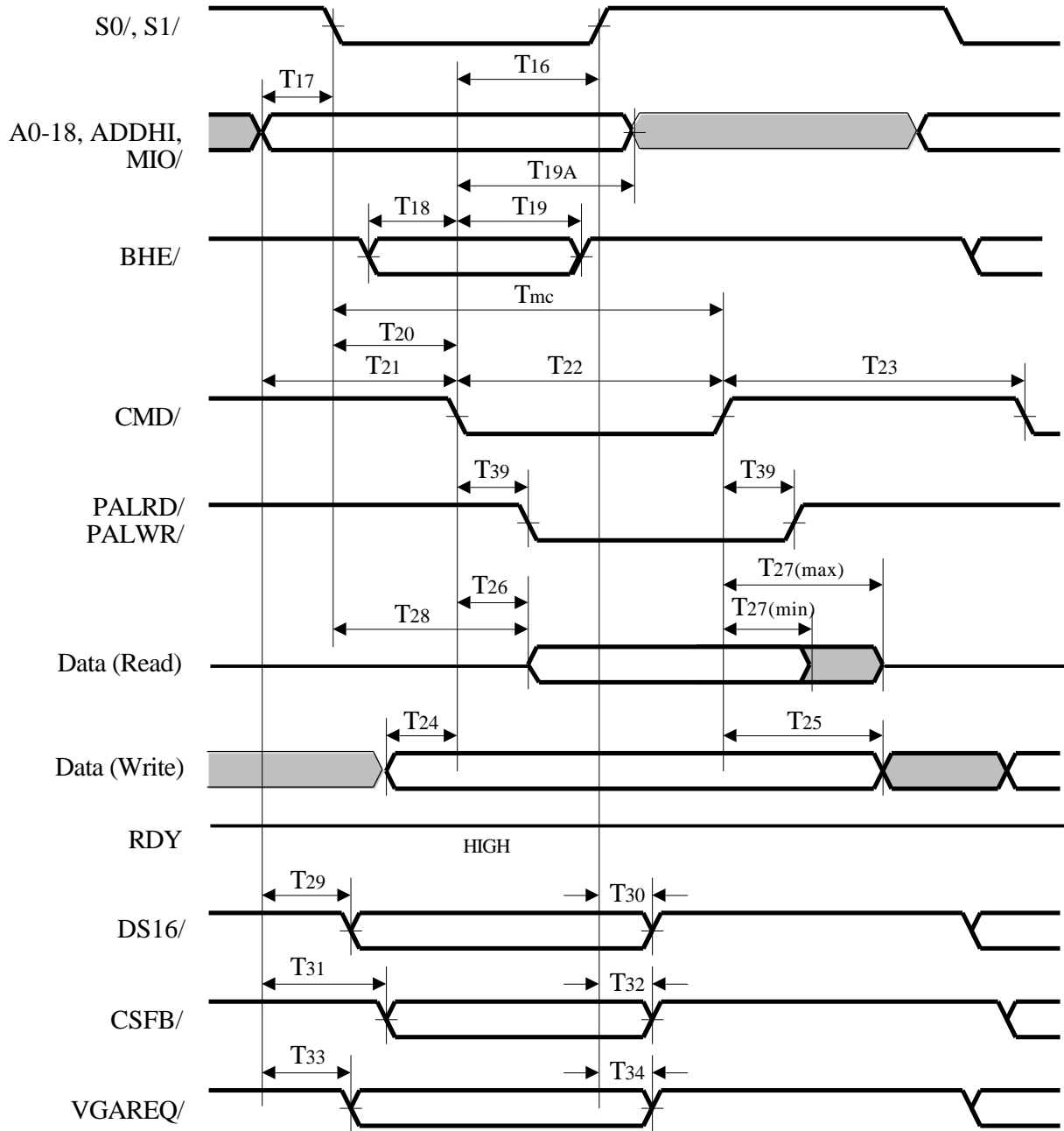


**EISA/ISA Bus Memory Cycle Timing**

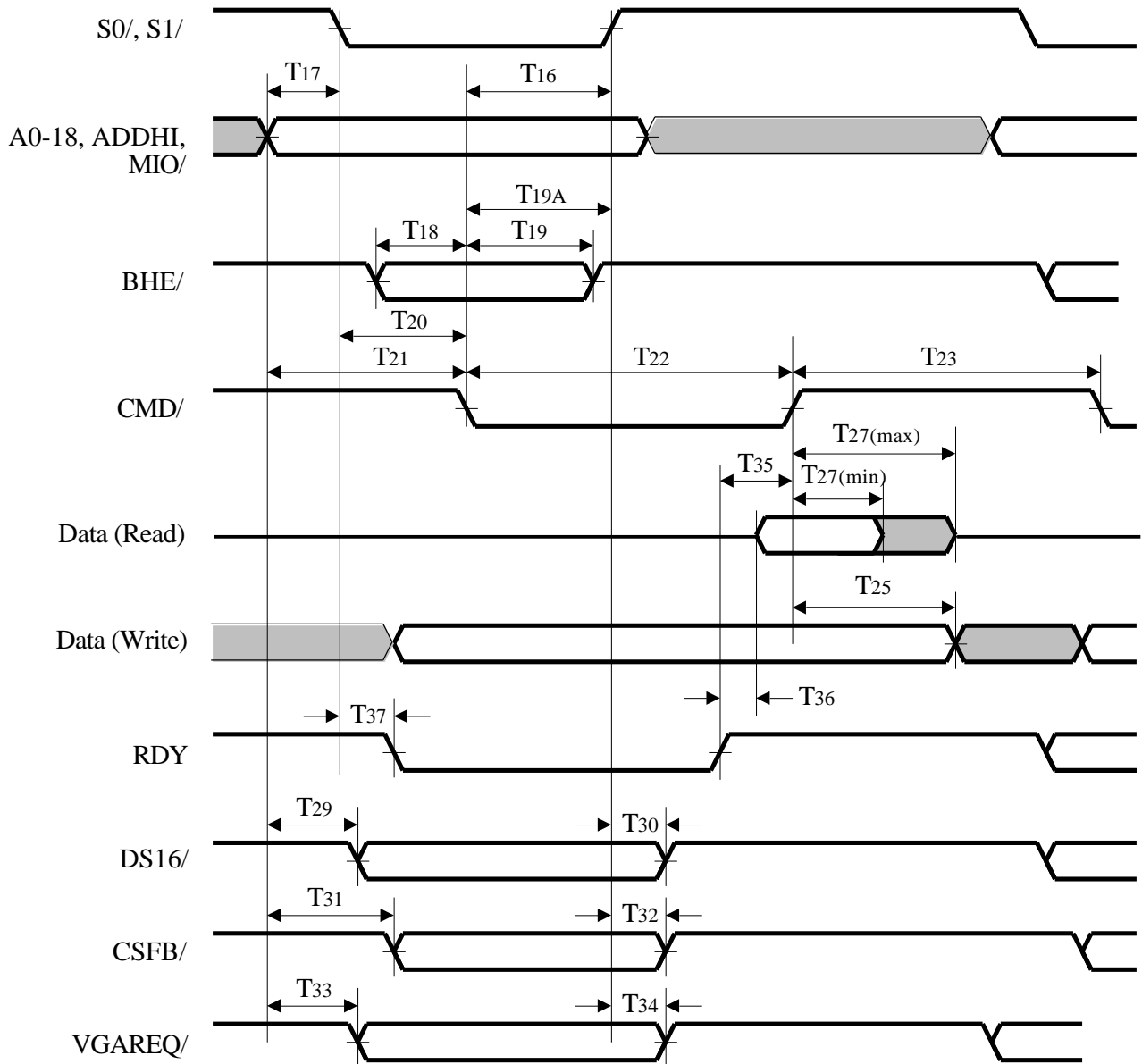


**82C452 AC TIMING CHARACTERISTICS - MCA BUS TIMING**

Symbol	Parameter	Notes	Min	Typ	Max	Units
T16	Status hold from CMD/		20	–	–	nS
T17	Status active from address valid		0	–	–	nS
T18	BHE/ Setup to CMD/		30	–	–	nS
T19	BHE/ hold from CMD/		20	–	–	nS
T19A	Address hold from CMD/		25	–	–	nS
T20	CMD/ active from Status		30	–	–	nS
T21	CMD/ from address valid		80	–	–	nS
T22	CMD/ Pulse Width		80	–	–	nS
T23	CMD/ inactive to next CMD/		80	–	–	nS
T24	Write data setup to CMD/		0	–	–	nS
T25	Write data hold from CMD/		10	–	–	nS
T26	Read data valid from CMD/		–	–	50	nS
T27	Read data hold from CMD/		5	–	40	nS
T28	Status to Read data valid		–	–	125	nS
T29	DS16/ active from address valid		–	–	25	nS
T30	DS16/ inactive from Status		5	–	25	nS
T31	CSFB/ active from address valid		–	–	25	nS
T32	CSFB/ inactive from Status		5	–	25	nS
T33	VGAREQ/ active from address valid		–	–	35	nS
T34	VGAREQ/ inactive from Status		5	–	25	nS
T35	RDY active from CMD/ high		65	–	–	nS
T36	Read data from RDY active (high)		–	–	50	nS
T37	RDY inactive (low) from Status		–	–	25	nS
T39	PALRD/, PALWR/ delay from CMD/		–	–	25	nS
Tmc	VGA Cycle Time		160	–	–	nS



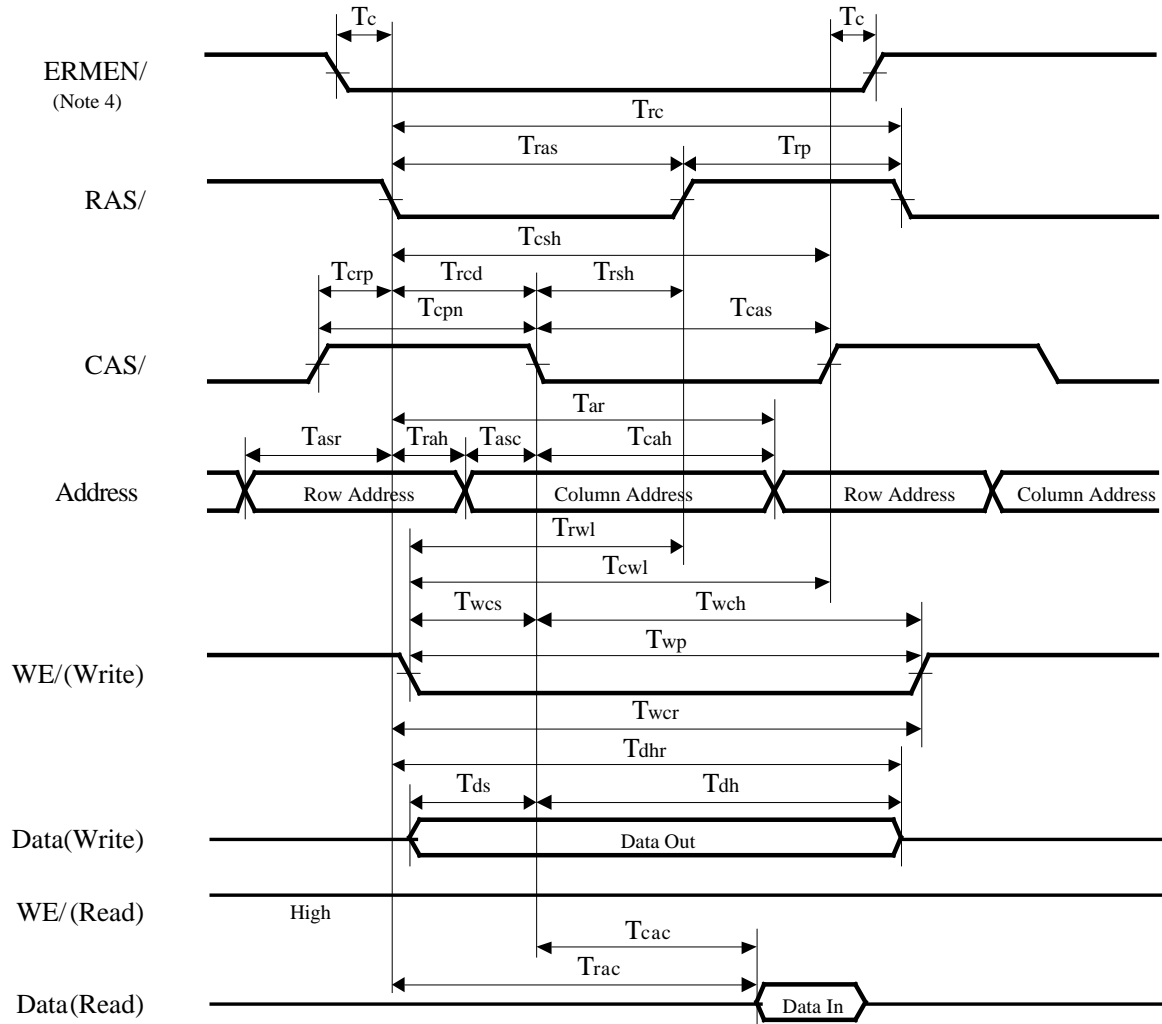
MCA Bus I/O Cycle Timing



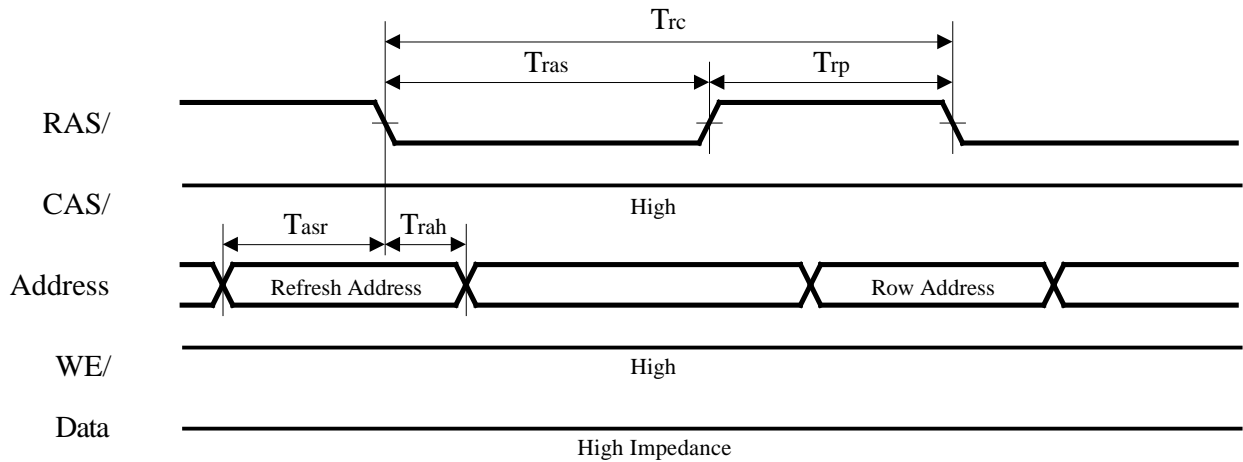
**MCA Bus Memory Cycle Tim-**

**82C452 AC TIMING CHARACTERISTICS - DRAM TIMING**

Symbol	Parameter	Min	Max	Units
Trc	Read/Write Cycle Time	$8T_m - 1$	–	nS
Tras	RAS/ Pulse Width	$5T_m - 2.5$	–	nS
Tar	Column Address Hold from RAS/	$5T_m - 2$	–	nS
Trp	RAS/ Precharge	$3T_m$	–	nS
Tcrp	CAS/ to RAS/ precharge	$3T_m - 1.5$	–	nS
Tcsh	CAS/ Hold from RAS/	$5T_m - 2$	–	nS
Trcd	RAS/ to CAS/ delay	$2T_m$	–	nS
Trsh	RAS/ Hold from CAS/	$3T_m - 4$	–	nS
Tcpn	CAS/ Precharge	$5T_m$	–	nS
Tcas	CAS/ Pulse Width	$3T_m - 2.5$	–	nS
Tasr	Row Address Setup to RAS/	$T_m - 2.5$	–	nS
Tasc	Column Address Setup to CAS/	$T_m - 2$	–	nS
Trah	Row Address Hold from RAS/	$T_m - 2.5$	–	nS
Tcah	Column Address Hold from CAS/	$3T_m - 3.5$	–	nS
Tcac	Data Access Time from CAS/	–	$3T_m$	nS
Trac	Data Access Time from RAS/	–	$5T_m$	nS
Trcs	Read CMD/ Setup time	$4T_m - 3$	–	nS
Trrh	Read Hold Time from RAS/	$3T_m$	–	nS
Trch	Read Hold Time from CAS/	$3T_m$	–	nS
Twp	WE/ Pulse Width	$7T_m - 1.5$	–	nS
Tds	Write Data Setup to CAS/	$T_m - 3$	–	nS
Tdh	Write Data Hold from CAS/	$3T_m - 2.5$	–	nS
Tdhr	Write Data Hold from RAS/	$5T_m$	–	nS
Twch	WE/ Hold from CAS/	$4T_m - 1$	–	nS
Twcs	WE/ Setup to CAS/	$3T_m - 2.5$	–	nS
Trwl	WE/ Lead to RAS/	$6T_m - 4.5$	–	nS
Tcwl	WE/ Lead to CAS/	$6T_m - 4$	–	nS
Twcr	WE/ Hold from RAS/	$6T_m$	–	nS



**DRAM Read / Write Cycle Timing**



**DRAM Refresh Cycle Timing**

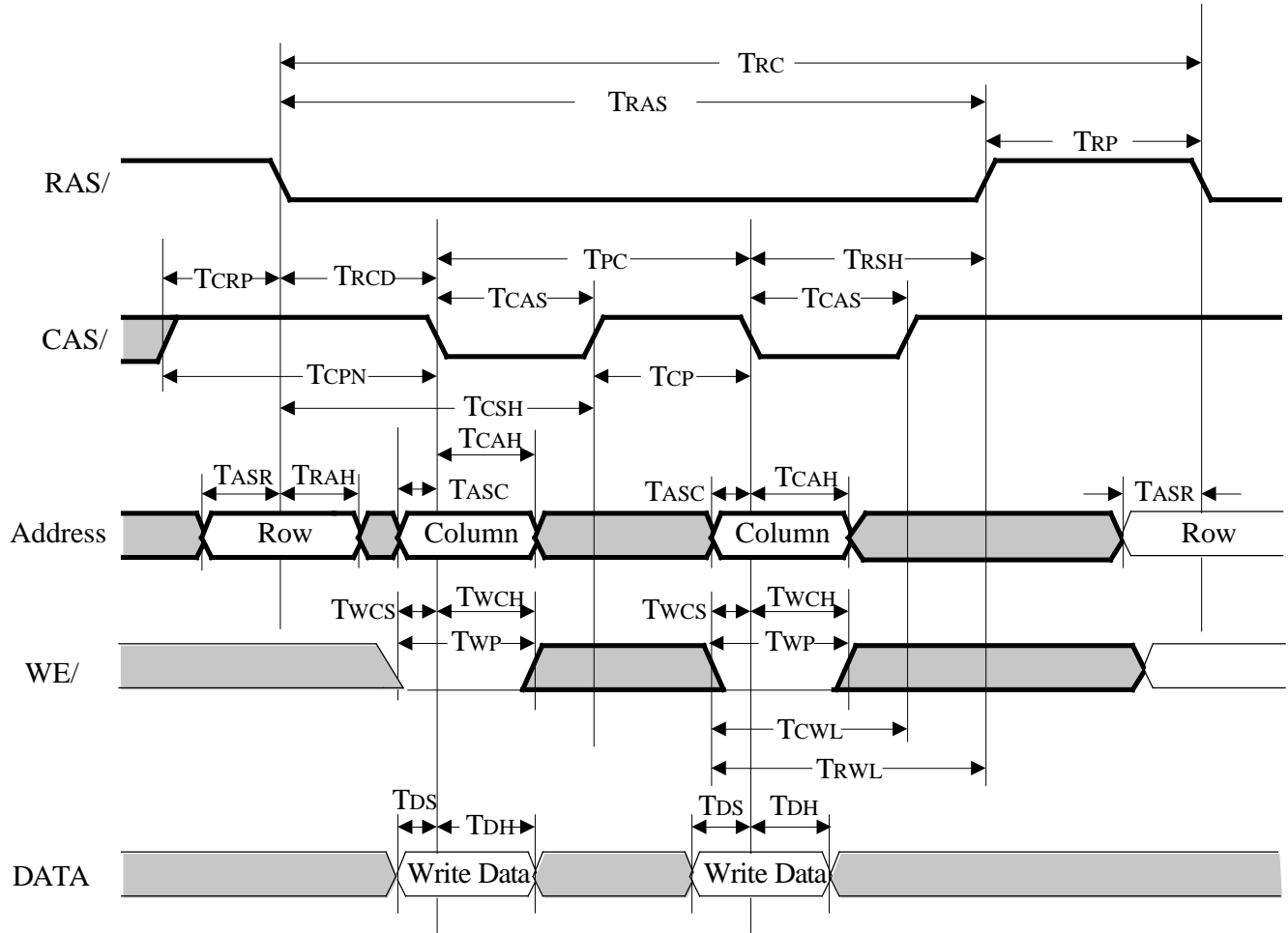
**NOTE:** ERMEN is active (now) only during CPU memory cycles

**82C452 SLOW PAGE MODE DRAM TIMINGS**

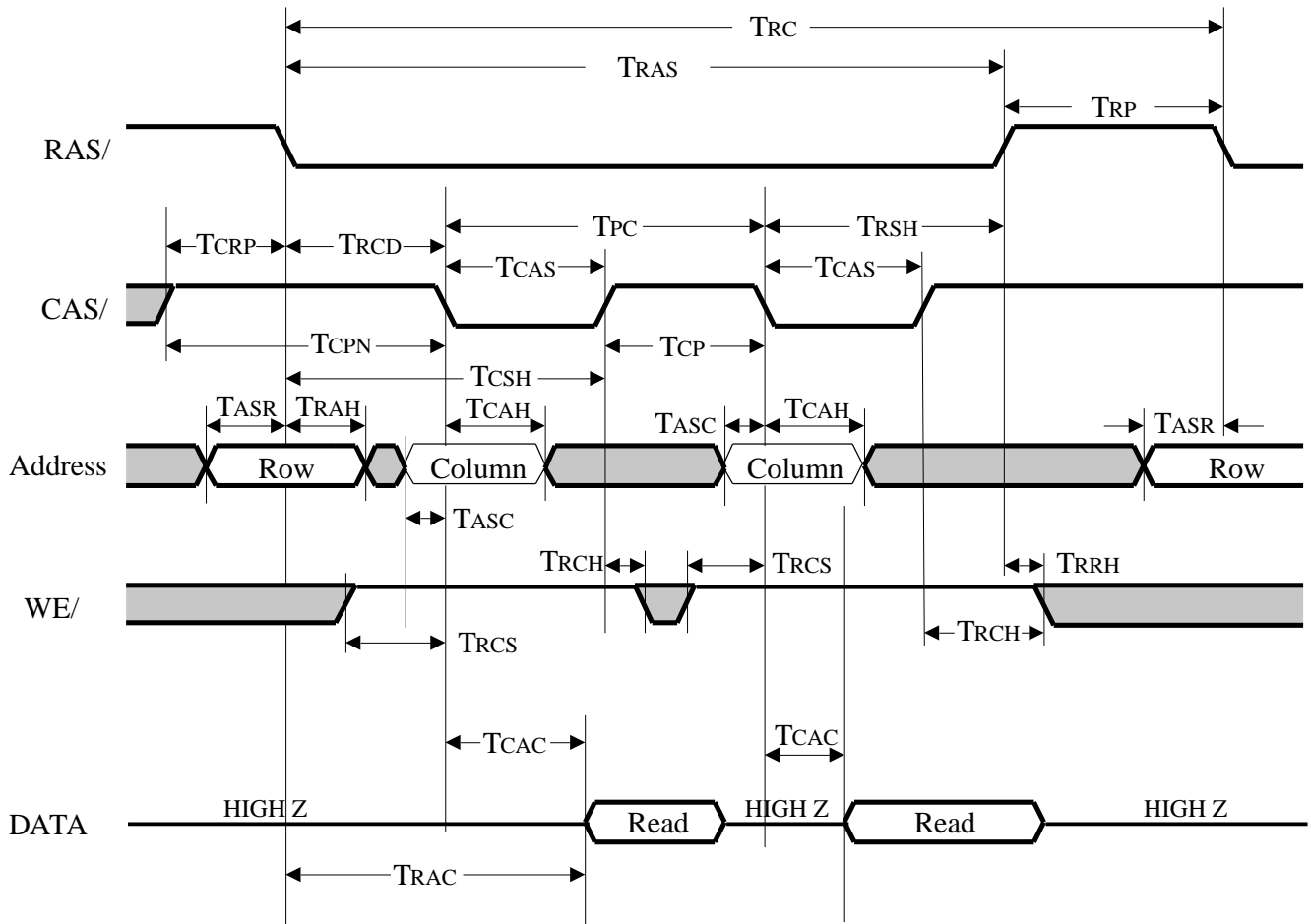
Symbol	Parameter	Min	Max	Units
Tpc	Page Mode Cycle time	$4T_m - 1.5$	–	nS
Trsh	RAS hold from CAS	$3T_m - 4$	–	nS
Tcp	CAS Precharge	$2T_m$	–	nS
Tcas	CAS Pulse Width	$2T_m - 2.5$	–	nS
Tcah	Column Address hold from CAS	$2T_m - 3.5$	–	nS
Tcac	Data Access time from CAS	–	$2T_m$	nS
Tds	Write Data Setup to CAS	$T_m$	–	nS
Tdh	Write Data Hold from CAS	$2T_m$	–	nS
Twch	WE hold from CAS	$3T_m - 1$	–	nS

**82C452 FAST PAGE MODE DRAM TIMINGS**

Symbol	Parameter	Min	Max	Units
Tpc	Page Mode Cycle time	$2T_m - 1.5$	–	nS
Trsh	RAS hold from CAS	$T_m - 4$	–	nS
Tcp	CAS Precharge	$T_m$	–	nS
Tcas	CAS Pulse Width	$T_m - 2.5$	–	nS
Tcah	Column Address hold from CAS	$T_m - 3.5$	–	nS
Tcac	Data Access time from CAS	–	$T_m$	nS
Tds	Write Data Setup to CAS	$T_m$	–	nS
Tdh	Write Data Hold from CAS	$T_m$	–	nS
Twch	WE hold from CAS	$2T_m - 1$	–	nS



**DRAM Page Mode Write Cycle Timing**

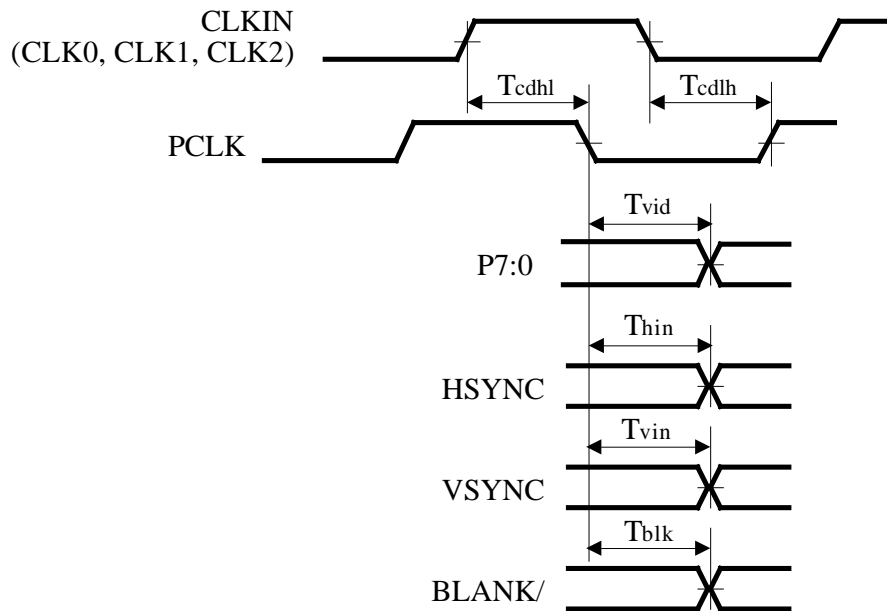


**DRAM Page Mode Read Cycle Timing**

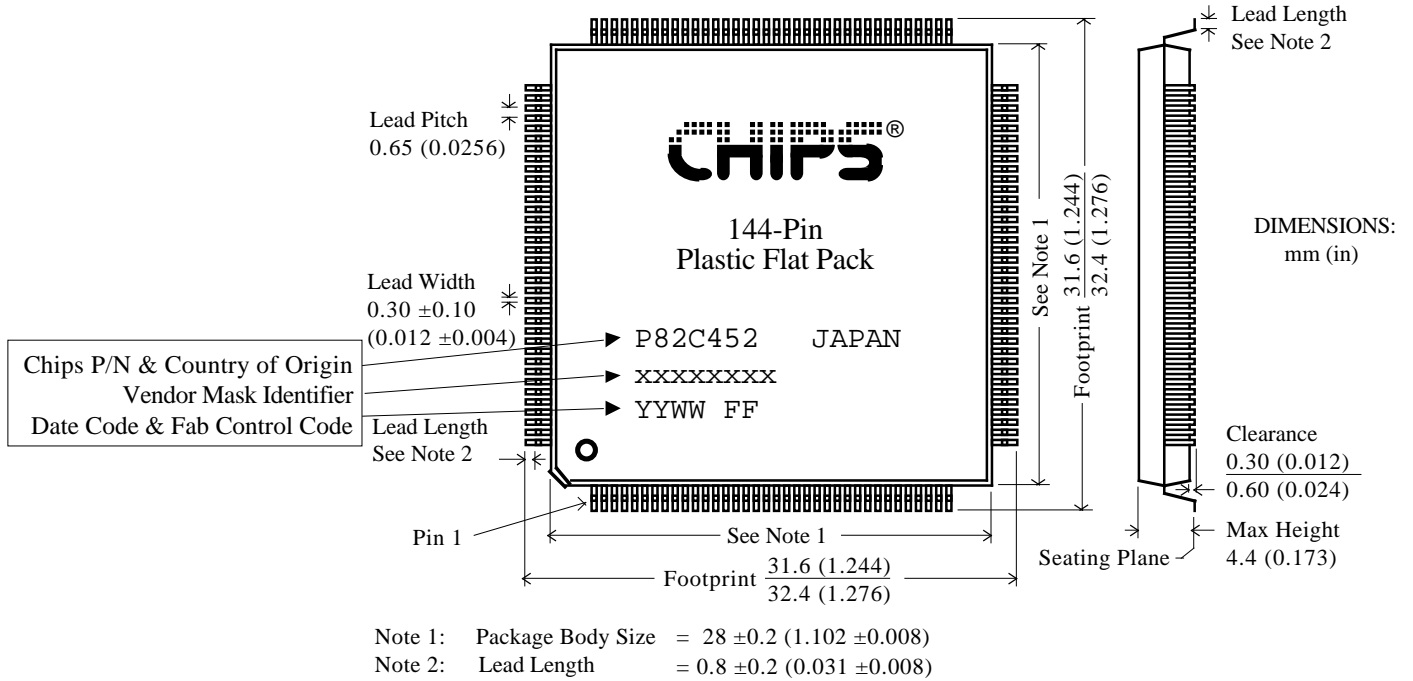


**82C452 AC TIMING CHARACTERISTICS - VIDEO TIMING**

Symbol	Parameter	Min	Typ	Max	Units
Tcdhl	CLKIN Rise to PCLK Fall Delay	7	–	11.5	nS
Tcdlh	CLKIN Fall to PCLK Rise Delay	6	–	11	nS
Thin	HSYNC delay from PCLK falling edge	10	–	15.5	nS
Tvin	VSYNC delay from PCLK falling edge	10	–	15.5	nS
Tblk	BLANK/ delay from PCLK falling edge	3	–	5.5	nS
Tvid	Video delay from PCLK falling edge	1.5	–	6.75	nS


**82C452 Video Timing**

## 82C452 Mechanical Specifications



## 82C452 Suggested PCB Pad Layout

