



6th Generation Intel® Core™ Processor Family Uncore Performance Monitoring Reference Manual

April 2016



Intel technologies features and benefits depend on system configuration and may require enabled hardware, software, or service activation. Learn more at intel.com, or from the OEM or retailer.

No computer system can be absolutely secure. Intel does not assume any liability for lost or stolen data or systems or any damages resulting from such losses.

You may not use or facilitate the use of this document in connection with any infringement or other legal analysis concerning Intel products described herein. You agree to grant Intel a non-exclusive, royalty-free license to any patent claim thereafter drafted which includes subject matter disclosed herein.

No license (express or implied, by estoppel or otherwise) to any intellectual property rights is granted by this document.

The products described may contain design defects or errors known as errata which may cause the product to deviate from published specifications. Current characterized errata are available on request.

Intel disclaims all express and implied warranties, including without limitation, the implied warranties of merchantability, fitness for a particular purpose, and non-infringement, as well as any warranty arising from course of performance, course of dealing, or usage in trade. Intel Enhanced Intel SpeedStep Technology, Pentium, and the Intel logo are trademarks of Intel Corporation in the United States and/or other countries.

Copies of documents which have an order number and are referenced in this document may be obtained by calling 1-800-548-4725 or by visiting www.intel.com/design/literature.htm.

*Other names and brands may be claimed as the property of others.

Copyright © 2016, Intel Corporation. All Rights Reserved.



Contents

1	Introduction.....	5
1.1	Uncore PMU Overview	5
1.2	Changes from 5th Generation Intel® Core™ Processor to 6th Generation Intel® Core™ Processor	6
1.2.1	MSR Addresses	6
1.3	Uncore PMU Counter Summary	6
2	Uncore Performance Monitoring Facilities	9
2.1	Uncore PMU MSR Listing.....	9
2.2	Uncore PMU Global Registers	10
2.2.1	MSR_UNC_PERF_GLOBAL_CTRL	10
2.2.2	MSR_UNC_PERF_GLOBAL_STATUS	11
2.3	Fixed Counter Registers	11
2.3.1	MSR_UNC_PERF_FIXED_CTRL	11
2.3.2	MSR_UNC_PERF_FIXED_CTR	12
2.4	Uncore CBo and ARB PMU Registers	12
2.4.1	MSR_UNC_CBO_CONFIG	12
2.4.2	Performance Event Select Registers	12
2.4.3	Performance Counter Registers	14
3	6th Generation Intel® Processor Uncore Performance Monitoring Events	15
3.1	CBo Uncore PerfMon Events	15
3.2	ARB Uncore PerfMon Events.....	16
3.3	IMC Events.....	17
4	Terminology.....	19



Figures

1-1	6th Generation Intel® Core™ Processor Uncore Block Diagram.....	6
-----	---	---

Tables

1-1	MSR Changes to 6th Generation Intel® Core™ Processors	6
1-2	6th Generation Intel® Core™ Processor Uncore Counter Summary	7
2-1	Uncore PMU MSR List	9
2-2	MSR_UNC_PERF_GLOBAL_CTRL Definition	10
2-3	MSR_UNC_PERF_GLOBAL_STATUS Definition	11
2-4	MSR_UNC_PERF_FIXED_CTRL Definition	11
2-5	MSR_UNC_PERF_FIXED_CTR Definition	12
2-6	MSR_UNC_CBO_CONFIG Definition	12
2-7	MSR_UNC_CBO_0_PERFEVTSELO Definition	13
2-8	MSR_UNC_CBO_0_PERFCTRO Definition	14
3-1	Uncore PMU MSR List	15
3-2	ARB PerfMon Events	16
3-3	IMC Counters.....	17
4-1	List of Terms.....	19

S



1 Introduction

This is a programmer's reference manual for the uncore performance monitoring units (PMU) on the 6th generation Intel® Core™ processor and the Intel® Pentium® Processor Family based on the S-Platform. This reference manual details the uncore performance monitoring hardware registers and events.

The material in this document does not apply to Intel® Xeon™ processors.

1.1 Uncore PMU Overview

The uncore PMU employs a distributed design where counters are implemented within the various uncore units. Counters in one unit cannot count events of a different unit. The uncore units covered in this document are the C-box (CBo), arbitration (ARB) unit and integrated memory controller (IMC).

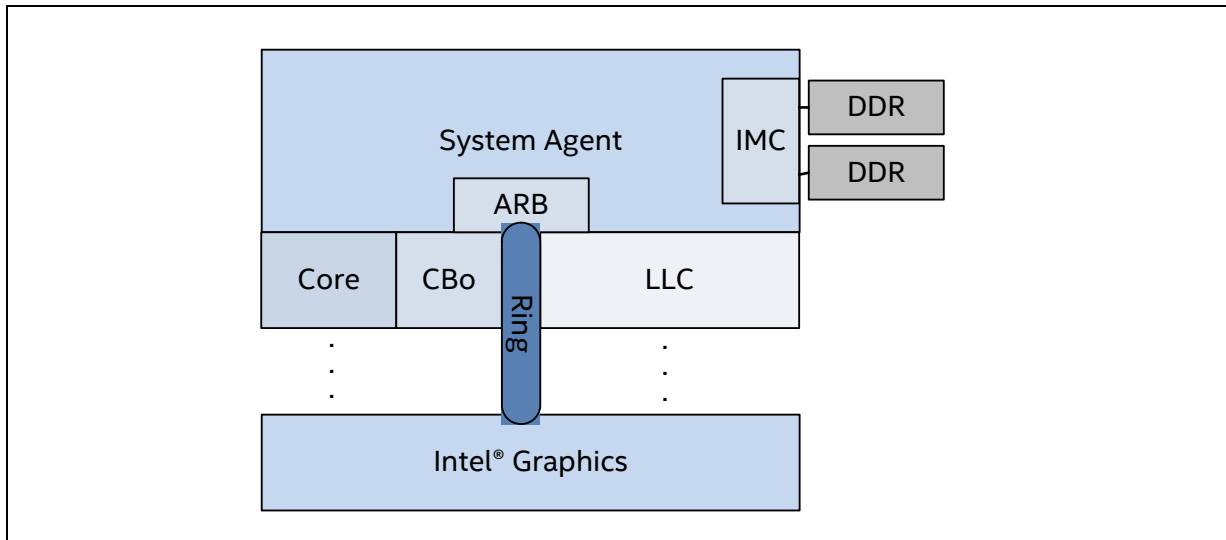
The uncore PMU provides a unified last level cache (LLC) that can support up to four processor cores. The LLC consists of multiple slices where each slice interfaces with a processor via a coherency engine, referred to as a C-Box, or CBo. Each CBo provides MSRs to select uncore performance monitoring events, which are called event select MSRs. Each event select MSR is paired with a counter register where event counts are accumulated.

The ARB unit provides local performance counters and event select MSRs for ARB unit specific events. There is also a fixed or non-programmable counter in the ARB that counts uncore clock cycles.

The IMC unit of the 6th Generation Intel Processor contains five model specific, fixed counters that allow for monitoring the number of requests to DRAM.

The block diagram below provides a visual representation of the CBo and ARB units of the 6th generation Intel Core processor.

Figure 1-1. 6th Generation Intel® Core™ Processor Uncore Block Diagram



1.2 Changes from 5th Generation Intel® Core™ Processor to 6th Generation Intel® Core™ Processor

This section details the changes from 5th generation Intel Core processors to 6th generation Intel Core processors that are relevant to uncore performance monitoring.

1.2.1 MSR Addresses

Two critical MSR addresses have changed from 5th generation Intel Core processors to 6th generation Intel Core processors. Uncore performance monitoring software drivers from 5th generation Intel Core processors will need to update MSR addresses in order to function correctly on 6th generation Intel Core processors.

Table 1-1. MSR Changes to 6th Generation Intel® Core™ Processors

Register Name	5th Generation Intel Core Processor MSR Address	6th Generation Intel Core Processor MSR Address
MSR_UNC_PERF_GLOBAL_CTRL	0x391	0xE01
MSR_UNC_PERF_GLOBAL_STATUS	0x392	0xE02

1.3 Uncore PMU Counter Summary

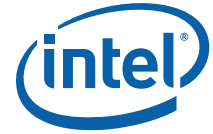
The following table lists the available programmable counters in the uncore PMU. CBo events have restrictions on which CBo counter can be used. Specifics on these restrictions are detailed in the 6th generation Intel Core processor uncore performance monitoring events section.

**Table 1-2. 6th Generation Intel® Core™ Processor Uncore Counter Summary**

Unit	Number of Counters	Instances	Bit Width
CBo	2	1 to 4	44
ARB	2	1	44
Fixed	1	1	48
IMC Fixed	5	1	32

§





2 Uncore Performance Monitoring Facilities

The uncore PMU provides global control and status registers for all resources in the CBo and ARB units as well as unit level control and status registers. This section details the MSRs of the uncore PMU.

2.1 Uncore PMU MSR Listing

The table below lists the register names and their MSR address for the registers associated with the uncore performance monitoring facilities. The following sections after the table provide definitions of each register and field values.

Table 2-1. Uncore PMU MSR List

Register Name	MSR Address
MSR_UNC_PERF_GLOBAL_CTRL	E01H
MSR_UNC_PERF_GLOBAL_STATUS	E02H
MSR_UNC_PERF_FIXED_CTRL	394H
MSR_UNC_PERF_FIXED_CTR	395H
MSR_UNC_CBO_CONFIG	396H
MSR_UNC_ARB_PERFCTR0	3B0H
MSR_UNC_ARB_PERFCTR1	3B1H
MSR_UNC_ARB_PERFEVTSELO	3B2H
MSR_UNC_ARB_PERFEVTSEL1	3B3H
MSR_UNC_CBO_0_PERFEVTSELO	700H
MSR_UNC_CBO_0_PERFEVTSEL1	701H
MSR_UNC_CBO_0_PERFCTR0	706H
MSR_UNC_CBO_0_PERFCTR1	707H
MSR_UNC_CBO_1_PERFEVTSELO	710H
MSR_UNC_CBO_1_PERFEVTSEL1	711H
MSR_UNC_CBO_1_PERFCTR0	716H
MSR_UNC_CBO_1_PERFCTR1	717H
MSR_UNC_CBO_2_PERFEVTSELO	720H
MSR_UNC_CBO_2_PERFEVTSEL1	721H
MSR_UNC_CBO_2_PERFCTR0	726H
MSR_UNC_CBO_2_PERFCTR1	727H
MSR_UNC_CBO_3_PERFEVTSELO	730H
MSR_UNC_CBO_3_PERFEVTSEL1	731H
MSR_UNC_CBO_3_PERFCTR0	736H
MSR_UNC_CBO_3_PERFCTR1	737H



2.2 Uncore PMU Global Registers

This section details the global control and status registers.

2.2.1 MSR_UNC_PERF_GLOBAL_CTRL

The MSR_UNC_PERF_GLOBAL_CTRL register provides global control functions for all PMU resources throughout the uncore.

Table 2-2. MSR_UNC_PERF_GLOBAL_CTRL Definition

Field Name	Bit	Access	Description
Reserved	63:32	N/A	Reserved.
FRZ_ON_PMI	31	RW	Enable freezing counter when overflow. Controls globally freezing (disables) counters on receipt of PMI request. If counters are frozen by this mechanism, software must globally re-enable counters in the interrupt service routine. 0: Do not freeze counters on PMI request. 1: Freeze counters on PMI request.
WAKE_ON_PMI	30	RW	Enable wake on PMI. This bit determines whether PMI event is sent to waken cores only or is broadcast to all cores after waking up any sleeping core. 0: Avoid waking a core for PMI event - send event to waken cores only. 1: Wake any sleeping core and send PMI event to all cores.
EN	29	RW	Enables all uncore counters. 0: Globally disable all PMU counters 1: Globally enable all PMU counters. Counters must also be locally programmed and enabled. (This bit is cleared if the FRZ bit 31 in this register is set).
Reserved	28:4	N/A	Reserved.
PMI_SEL_CORE3	3	RW	Slice 3 select. Enables forwarding uncore PMI request to core 3. If WAKE_ON_PMI is '1' a wake request is sent to core 3 prior to sending the interrupt request. 0: Take no action. 1: Forward interrupt request to core 3.
PMI_SEL_CORE2	2	RW	Slice 2 select. Enables forwarding uncore PMI request to core 2. If WAKE_ON_PMI is '1' a wake request is sent to core 2 prior to sending the interrupt request. 0: Take no action. 1: Forward interrupt request to core 2.
PMI_SEL_CORE1	1	RW	Slice 1 select. Enables forwarding uncore PMI request to core 1. If WAKE_ON_PMI is '1' a wake request is sent to core 1 prior to sending the interrupt request. 0: Take no action. 1: Forward interrupt request to core 1.
PMI_SEL_CORE0	0	RW	Slice 0 select. Enables forwarding uncore PMI request to core 0. If WAKE_ON_PMI is '1' a wake request is sent to core 0 prior to sending the interrupt request. 0: Take no action. 1: Forward interrupt request to core 0.



2.2.2 MSR_UNC_PERF_GLOBAL_STATUS

The MSR_UNC_PERF_GLOBAL_STATUS register provides global status for all PMU resources throughout the uncore.

Table 2-3. MSR_UNC_PERF_GLOBAL_STATUS Definition

Field Name	Bit	Access	Description
Reserved	63:4	N/A	Reserved.
CBO_CTR_OVF	31	RW1C	A CBox counter overflowed (on any slice). 0: No overflow detected. 1: An overflow was detected on one or more counters. Writing a '0' is ignored, while writing a '1' clears this status bit.
Reserved	2	N/A	Reserved.
ARB_CTR_OVF	1	RW1C	An ARB counter overflowed. 0: No overflow detected. 1: An overflow was detected on one or more counters. Writing a '0' is ignored, while writing a '1' clears this status bit.
FIXED_CTR_OVF	0	RW1C	Fixed counter overflowed. 0: No overflow detected. 1: An overflow was detected. Writing a '0' is ignored, while writing '1' clears this status bit.

2.3 Fixed Counter Registers

This section details the registers of the PMU fixed counter that counts uncore clock cycles.

2.3.1 MSR_UNC_PERF_FIXED_CTRL

The MSR_UNC_PERF_FIXED_CTRL register enables the fixed counter and whether counter overflows are allowed to signal an overflow interrupt.

Table 2-4. MSR_UNC_PERF_FIXED_CTRL Definition (Sheet 1 of 2)

Field Name	Bit	Access	Description
Reserved	63:23	N/A	Reserved.
CNT_EN	22	RW	Enable counting. 0: Locally disable this counter. 1: Counter is enabled and will count when global enable is set.



Table 2-4. MSR_UNC_PERF_FIXED_CTRL Definition (Sheet 2 of 2)

Field Name	Bit	Access	Description
Reserved	21	N/A	Reserved.
OVF_EN	20	RW	Enable overflow propagation. This must be enabled if an overflow interrupt is to be generated from this counter. 0: Counter overflow is not forwarded. No PMI for this counter is possible. 1: Counter overflow generates an overflow interrupt and enabled cores will be interrupted.
Reserved	19:0	N/A	Reserved.

2.3.2 MSR_UNC_PERF_FIXED_CTR

MSR_UNC_PERF_FIXED_CTR is a 48 bit fixed counter that increments on uncore clock cycles.

Table 2-5. MSR_UNC_PERF_FIXED_CTR Definition

Field Name	Bit	Access	Description
Reserved	63:48	N/A	Reserved.
CTR_VAL	47:0	RW	Current count of the number of elapsed UCLK cycles.

2.4 Uncore CBo and ARB PMU Registers

This section details the registers available for performance monitoring control and counting for each counter in each CBo and the ARB.

2.4.1 MSR_UNC_CBO_CONFIG

The MSR_UNC_CBO_CONFIG register is read only and reports the number of CBo slices available on the platform. This information is used to determine how many CBo units need to be configured for performance monitoring. Programmers should read this register and subtract one to determine the number of CBo units available for performance monitoring.

Table 2-6. MSR_UNC_CBO_CONFIG Definition

Field Name	Bit	Access	Description
Reserved	63:4	N/A	Reserved.
NO_CBO_BANKS	3:0	RO	Specifies the number of C-Box units with programmable counters (including processor cores and processor graphics).

2.4.2 Performance Event Select Registers

The event select registers configure which event will be counted and how.



There are up to four CBo units, each with four event select control registers, for a total of sixteen possible registers. There is a single ARB unit with two event select control registers.

The performance event select registers are iterated below and share the same definition.

- MSR_UNC_CBO_0_PERFEVTSEL0
- MSR_UNC_CBO_0_PERFEVTSEL1
- MSR_UNC_CBO_1_PERFEVTSEL0
- MSR_UNC_CBO_1_PERFEVTSEL1
- MSR_UNC_CBO_2_PERFEVTSEL0
- MSR_UNC_CBO_2_PERFEVTSEL1
- MSR_UNC_CBO_3_PERFEVTSEL0
- MSR_UNC_CBO_3_PERFEVTSEL1
- MSR_UNC_ARB_PERFEVTSEL0
- MSR_UNC_ARB_PERFEVTSEL1

Table 2-7. MSR_UNC_CBO_0_PERFEVTSEL0 Definition (Sheet 1 of 2)

Field Name	Bit	Access	Description
Reserved	63:29	N/A	Reserved.
THR	28:24	RW	This field is compared directly against the event increment and may cause the counter to increment by one based on the programming of the INV bit. When this field is zero, threshold comparison is disabled and the event is passed without modification (i.e. the counter will advance by the event increment value).
INV	23	RW	This bit indicates how the threshold field will be compared to the incoming event. 0: The counter will increment by one if the event increment in the current cycle is greater than or equal to the value programmed in the threshold field. 1: The counter will increment by one if the event increment in the current cycle is less than the value programmed in the threshold field.
EN	22	RW	Locally enable the associated counter. 0: Counter is locally disabled. 1: Counter is locally enabled.
Reserved	21	N/A	Reserved.
OVF_EN	20	RW	Enable transmission of overflow indication, necessary if this counter is to generate a PMI and interrupt the cores. 0: Disable transmission of overflow indication. No PMI for this counter will be generated. 1: Enable transmission of overflow indication. May generate a PMI request to the cores.
Reserved	19	N/A	Reserved.



Table 2-7. MSR_UNC_CBO_0_PERFEVTSELO Definition (Sheet 2 of 2)

Field Name	Bit	Access	Description
E	18	RW	Enable counting on event edge (increment signal transitions from de-asserted to asserted) or level. Counting edges provides the number of occurrences of an event, while level counting provides the cycles an event was active. 0: Count the cycles the programmed event was active. 1: Count the occurrences of the programmed event.
Reserved	17:16	N/A	Reserved.
UMASK	15:8	RW	This field must be programmed with the proper unit mask. Bits set in this field enable sub-events of the encoded event in EVT_SEL.
EVT_SEL	7:0	RW	This field must be programmed with the desired event encoding.

2.4.3 Performance Counter Registers

There is a matching performance counter for each performance event select register in the CBo units and ARB unit. The performance counter registers are a 44 bit counter where event counts are accumulated. Reading the register will tell users how many times the event programmed has been counted.

The performance counter registers are iterated below and share the same definition.

MSR_UNC_CBO_0_PERFCTR0
 MSR_UNC_CBO_0_PERFCTR1
 MSR_UNC_CBO_1_PERFCTR0
 MSR_UNC_CBO_1_PERFCTR1
 MSR_UNC_CBO_2_PERFCTR0
 MSR_UNC_CBO_2_PERFCTR1
 MSR_UNC_CBO_3_PERFCTR0
 MSR_UNC_CBO_3_PERFCTR1
 MSR_UNC_ARB_PERFCTR0
 MSR_UNC_ARB_PERFCTR1

These registers share the definition below.

Table 2-8. MSR_UNC_CBO_0_PERFCTR0 Definition

Field Name	Bit	Access	Description
Reserved	63:44	N/A	Reserved.
CTR_VAL	43:0	RW	The value of the programmable counter.

§



3 6th Generation Intel® Processor Uncore Performance Monitoring Events

This section details the specific uncore performance monitoring events that are available for the CBo and ARB. For each event there is an event name, event ID, umask and description. The code is the value that is to be written to the EVT_SEL field in the appropriate control register and the umask is to be written to the UMASK field in the appropriate control register. The event tables also contain information on if a specific event has counter restrictions.

3.1 CBo Uncore PerfMon Events

For all CBo counters, it is recommended to work with the sum of the counter values from all CBoS.

The following table details the available events from the CBo units.

Table 3-1. Uncore PMU MSR List (Sheet 1 of 2)

Event Name	Event ID	Umask	Description	Valid Counters
UNC_CBO_XSNP_RESPONSE.MISS_XCORE	0x22	0x41	A cross-core snoop initiated by this CBo due to processor core memory request which misses in some processor core.	0, 1
UNC_CBO_XSNP_RESPONSE.MISS_EVICTION	0x22	0x81	A cross-core snoop resulted from LLC Eviction which misses in some processor core.	0, 1
UNC_CBO_XSNP_RESPONSE.HIT_XCORE	0x22	0x44	A cross-core snoop initiated by this CBo due to processor core memory request which hits a non-modified line in some processor core.	0, 1
UNC_CBO_XSNP_RESPONSE.HITM_XCORE	0x22	0x48	A cross-core snoop initiated by this CBo due to processor core memory request which hits a modified line in some processor core.	0, 1
UNC_CBO_CACHE_LOOKUP.WRITE_M	0x34	0x21	LLC lookup write request that accesses cache and found line in M-state.	0, 1
UNC_CBO_CACHE_LOOKUP.ANY_M	0x34	0x81	LLC lookup any request that accesses cache and found line in M-state.	0, 1
UNC_CBO_CACHE_LOOKUP.READ_I	0x34	0x18	LLC lookup read request that accesses cache and found line in I-state.	0, 1
UNC_CBO_CACHE_LOOKUP.ANY_I	0x34	0x88	LLC lookup any request that accesses cache and found line in I-state.	0, 1



Table 3-1. Uncore PMU MSR List (Sheet 2 of 2)

Event Name	Event ID	Umask	Description	Valid Counters
UNC_CBO_CACHE_LOOKUP.READ_MESI	0x34	0x1F	LLC lookup read request that accesses cache and found line in any MESI-state.	0, 1
UNC_CBO_CACHE_LOOKUP.WRITE_MESI	0x34	0x2F	LLC lookup write request that accesses cache and found line in MESI-state.	0, 1
UNC_CBO_CACHE_LOOKUP.ANY_MESI	0x34	0x8F	LLC lookup any request that accesses cache and found line in MESI-state.	0, 1
UNC_CBO_CACHE_LOOKUP.ANY_ES	0x34	0x86	LLC lookup any request that accesses cache and found line in E or S-state.	0, 1
UNC_CBO_CACHE_LOOKUP.READ_ES	0x34	0x16	LLC lookup read request that accesses cache and found line in E or S-state.	0, 1
UNC_CBO_CACHE_LOOKUP.WRITE_ES	0x34	0x26	LLC lookup write request that accesses cache and found line in E or S-state.	0, 1

3.2 ARB Uncore PerfMon Events

The following table details the available events from the ARB unit.

Table 3-2. ARB PerfMon Events

Event Name	Event ID	Umask	Description	Valid Counters
UNC_ARB_TRK_OCCUPANCY.ALL	0x80	0x01	Count cycles of outgoing, valid entries from cores.	0
UNC_ARB_TRK_REQUESTS.ALL	0x81	0x01	Total number of core outgoing entries allocated. Accounts for coherent and non-coherent traffic.	0, 1
UNC_ARB_TRK_REQUESTS.WRITES	0x81	0x20	Number of writes allocated including any write transaction including full, partials and evictions.	0, 1
UNC_ARB_COH_TRK_REQUESTS.ALL	0x84	0x01	Number of entries allocated for any type.	0, 1
UNC_ARB_TRK_OCCUPANCY.CYCLES_WITH_ANY_REQUEST	0x80	0x01	Cycles with at least one request outstanding, waiting for data to return from memory controller. Accounts for coherent and non-coherent requests initiated by IA cores, processor graphics unit, or LLC.	0
UNC_CLOCK.SOCKET	0x00	0x01	This 48-bit fixed counter counts the UCLK cycles.	Fixed



3.3 IMC Events

The integrated memory controller unit of the 6th Generation Intel® Processor contains five model specific, fixed counters that allow for monitoring the number of requests to DRAM.

The fixed counters residing in the memory controller monitor transaction requests coming from various sources, e.g. the processor cores, the graphic engine, or other I/O agents. Unlike the MSR based performance counter registers in the CBo and ARB, the IMC fixed counter interface uses memory-mapped I/O reads from physical memory at the offsets specified in the IMC event table.

This set of counters are free-running and always-running. Software can read the value, wait for a desired interval, read again, then subtract the first sample from the second to determine how many times the event incremented in the sample interval.

The IMC counters below are model specific, meaning they may change or not be supported in the future.

To obtain the BAR address, read the value (in PCI configuration space) at Bus 0; Device 0; Function 0; Offset 48H and mask with the value 0x0007FFFF8000.

Table 3-3. IMC Counters

Name	Address	Description
DRAM_GT_REQUESTS	BAR+0x5040	Counts every read/write request entering the Memory Controller to DRAM (sum of all channels) from the GT engine. Each partial write request counts as a request incrementing this counter. However same-cache-line partial write requests are combined to a single 64-byte data transfers from DRAM. Therefore multiplying the number of requests by 64-bytes will lead to inaccurate GT memory bandwidth. The inaccuracy is proportional to the number of same-cache-line partial writes combined.
DRAM_IA_REQUESTS	BAR+0x5044	Counts every read/write request (demand and HW prefetch) entering the Memory Controller to DRAM (sum of all channels) from IA. Each partial write request counts as a request incrementing this counter. However same-cache-line partial write requests are combined to a single 64-byte data transfers from DRAM. Therefore multiplying the number of requests by 64-bytes will lead to inaccurate IA memory bandwidth. The inaccuracy is proportional to the number of same-cache-line partial writes combined.
DRAM_IO_REQUESTS	BAR+0x5048	Counts every read/write request entering the Memory Controller to DRAM (sum of all channels) from all IO sources (e.g. PCIe, Display Engine, USB audio, etc.). Each partial write request counts as a request incrementing this counter. However same-cache-line partial write requests are combined to a single 64-byte data transfers from DRAM. Therefore multiplying the number of requests by 64-bytes will lead to inaccurate IO memory bandwidth. The inaccuracy is proportional to the number of same-cache-line partial writes combined.
DRAM_DATA_READS	BAR+0x5050	Counts every read (RdCAS) issued by the Memory Controller to DRAM (sum of all channels). All requests result in 64-byte data transfers from DRAM. Use for accurate memory bandwidth calculations.
DRAM_DATA_WRITES	BAR+0x5054	Counts every write (WrCAS) issued by the Memory Controller to DRAM (sum of all channels). All requests result in 64-byte data transfers from DRAM. Use for accurate memory bandwidth calculations.

§





4 Terminology

List of terms used in this document found below.

Table 4-1. List of Terms

Term	Definition
ARB	Refers to the arbitration unit.
Clear	In reference to register programming, this means a bit is programmed to binary zero (0).
CBo	Refers to the cache box unit or Cbox unit.
IA	Intel Architecture.
LLC	Last-level cache. The lowest level of cache, after which memory requests must be satisfied by system memory. This is the longest latency cache.
MESI	MESI refers to the cache coherency protocol where a cache-line state is represented as M for modified, E for exclusive, S for shared and I for invalid.
MSR	Model Specific Register. PMU counter and counter control registers are implemented as MSR registers. They are accessed via the rdmsr and wrmsr instruction. Certain counter registers can be accessed via the rdpmc instruction.
PEBS	Precise Event Based Sampling. A special counting mode in which counters can be configured to overflow, interrupt the processor, and capture machine state at that point.
PerfMon	Short for Performance Monitoring.
PMI	Performance Monitoring Interrupt. This interrupt is generated when a counter overflows and has been programmed to generate an interrupt, or when the PEBS buffer interrupt threshold has been reached. The interrupt vector for this interrupt is controlled through the Local Vector Table in the Local APIC.
PMU	Performance Monitoring Unit.
RO	Read only, indicating that a specific field in a register can be read but not written to.
RW	Read and write, indicating that a specific field in a register can be both written to and read from.
RW1C	Indicates that a specific field in a register can be both written to and read from and that writing a 1 will clear the register.
Set	In reference to register programming, this means a bit is programmed to binary one (1).
SMT	Simultaneous Multi-threading.
Thread	A hardware thread of execution. In other words, Intel® Hyper-Threading Technology (Intel® HT Technology).
Uop	Micro-operation. Macro instructions are broken down into micro-operations within the machine, and these 'uops' are executed by the execution units.
UNC	Uncore

