



Intel® Xeon® Processor E5 v2 and E7 v2 Product Families Uncore Performance Monitoring Reference Manual

Reference Number: 329468-002

February 2014



INFORMATION IN THIS DOCUMENT IS PROVIDED IN CONNECTION WITH INTEL PRODUCTS. NO LICENSE, EXPRESS OR IMPLIED, BY ESTOPPEL OR OTHERWISE, TO ANY INTELLECTUAL PROPERTY RIGHTS IS GRANTED BY THIS DOCUMENT. EXCEPT AS PROVIDED IN INTEL'S TERMS AND CONDITIONS OF SALE FOR SUCH PRODUCTS, INTEL ASSUMES NO LIABILITY WHATSOEVER AND INTEL DISCLAIMS ANY EXPRESS OR IMPLIED WARRANTY, RELATING TO SALE AND/OR USE OF INTEL PRODUCTS INCLUDING LIABILITY OR WARRANTIES RELATING TO FITNESS FOR A PARTICULAR PURPOSE, MERCHANTABILITY, OR INFRINGEMENT OF ANY PATENT, COPYRIGHT OR OTHER INTELLECTUAL PROPERTY RIGHT.

A "Mission Critical Application" is any application in which failure of the Intel Product could result, directly or indirectly, in personal injury or death. SHOULD YOU PURCHASE OR USE INTEL'S PRODUCTS FOR ANY SUCH MISSION CRITICAL APPLICATION, YOU SHALL INDEMNIFY AND HOLD INTEL AND ITS SUBSIDIARIES, SUBCONTRACTORS AND AFFILIATES, AND THE DIRECTORS, OFFICERS, AND EMPLOYEES OF EACH, HARMLESS AGAINST ALL CLAIMS COSTS, DAMAGES, AND EXPENSES AND REASONABLE ATTORNEYS' FEES ARISING OUT OF, DIRECTLY OR INDIRECTLY, ANY CLAIM OF PRODUCT LIABILITY, PERSONAL INJURY, OR DEATH ARISING IN ANY WAY OUT OF SUCH MISSION CRITICAL APPLICATION, WHETHER OR NOT INTEL OR ITS SUBCONTRACTOR WAS NEGLIGENT IN THE DESIGN, MANUFACTURE, OR WARNING OF THE INTEL PRODUCT OR ANY OF ITS PARTS.

Intel may make changes to specifications and product descriptions at any time, without notice. Designers must not rely on the absence or characteristics of any features or instructions marked "reserved" or "undefined". Intel reserves these for future definition and shall have no responsibility whatsoever for conflicts or incompatibilities arising from future changes to them. The information here is subject to change without notice. Do not finalize a design with this information.

The products described in this document may contain design defects or errors known as errata which may cause the product to deviate from published specifications. Current characterized errata are available on request.

Intel® 64 architecture requires a system with a 64-bit enabled processor, chipset, BIOS and software. Performance will vary depending on the specific hardware and software you use. Consult your PC manufacturer for more information. For more information, visit <http://www.intel.com/info/em64t>.

Contact your local Intel sales office or your distributor to obtain the latest specifications and before placing your product order.

Copies of documents which have an order number and are referenced in this document, or other Intel literature, may be obtained by calling 1-800-548-4725, or go to: <http://www.intel.com/design/literature.htm>

Intel, the Intel logo and Xeon are trademarks of Intel Corporation in the U.S. and/or other countries.

*Other names and brands may be claimed as the property of others.

Copyright © 1997-2014 Intel Corporation. All rights reserved. Intel Corporation

Contents

1	Introduction	5
1.1	Introduction	5
1.2	Uncore PMON Overview	7
1.3	Section References	8
1.4	Uncore PMON - Typical Control/Counter Logic	9
1.5	Uncore PMU Summary Tables	10
1.6	On Parsing and Using Derived Events	13
1.6.1	On Common Terms found in Derived Events	14
2	Uncore Performance Monitoring	15
2.1	Uncore Per-Socket Performance Monitoring Control	15
2.1.1	Counter Overflow	15
2.1.1.1	Freezing on Counter Overflow	15
2.1.1.2	PMI on Counter Overflow	15
2.1.2	Setting up a Monitoring Session	15
2.1.3	Reading the Sample Interval	17
2.1.4	Enabling a New Sample Interval from Frozen Counters	18
2.1.5	Global Performance Monitors	18
2.1.5.1	Global PMON Global Control/Status Registers	18
2.2	UBox Performance Monitoring	20
2.2.1	Overview of the UBox	20
2.2.2	UBox Performance Monitoring Overview	21
2.2.2.1	UBox PMON Registers - On Overflow and the Consequences (PMI/Freeze)	21
2.2.3	UBox Performance Monitors	21
2.2.3.1	UBox Box Level PMON State	22
2.2.3.2	UBox PMON state - Counter/Control Pairs	22
2.2.4	UBOX Box Events Ordered By Code	24
2.2.5	UBOX Box Performance Monitor Event List	24
2.3	Cacheing Agent (Cbo) Performance Monitoring	25
2.3.1	Overview of the CBo	25
2.3.2	CBo Performance Monitoring Overview	26
2.3.2.1	Special Note on CBo Occupancy Events	26
2.3.3	CBo Performance Monitors	26
2.3.3.1	CBo Box Level PMON State	32
2.3.3.2	UCBo PMON state - Counter/Control Pairs	33
2.3.3.3	CBo Filter Registers (Cn_MSR_PMON_BOX_FILTER{0,1})	34
2.3.4	CBo Performance Monitoring Events	36
2.3.4.1	An Overview:	36
2.3.4.2	Acronyms frequently used in CBo Events:	37
2.3.4.3	The Queues:	37
2.3.5	CBO Box Events Ordered By Code	37
2.3.6	CBO Box Common Metrics (Derived Events)	38
2.3.7	CBO Box Performance Monitor Event List	40
2.4	Home Agent (HA) Performance Monitoring	54
2.4.1	Overview of the Home Agent	54
2.4.2	HA Performance Monitoring Overview	54
2.4.2.1	HA PMON Registers - On Overflow and the Consequences (PMI/Freeze)	55
2.4.2.2	HA Performance Monitors	55
2.4.2.3	HA Box Level PMON State	55
2.4.2.4	HA PMON state - Counter/Control Pairs	56
2.4.3	HA Performance Monitoring Events	58
2.4.3.1	On the Major HA Structures:	59



2.4.4	HA Box Events Ordered By Code	59
2.4.5	HA Box Common Metrics (Derived Events)	60
2.4.6	HA Box Performance Monitor Event List	60
2.5	Memory Controller (iMC) Performance Monitoring	76
2.5.1	Overview of the iMC	76
2.5.2	Functional Overview	76
2.5.3	iMC Performance Monitoring Overview	77
2.5.3.1	iMC PMON Registers - On Overflow and the Consequences (PMI/Freeze)	77
2.5.4	iMC Performance Monitors	78
2.5.4.1	MC Box Level PMON State	78
2.5.4.2	MC PMON state - Counter/Control Pairs	79
2.5.5	iMC Performance Monitoring Events	81
2.5.5.1	An Overview:	81
2.5.6	iMC Box Events Ordered By Code	81
2.5.7	iMC Box Common Metrics (Derived Events)	83
2.5.8	iMC Box Performance Monitor Event List	84
2.6	IRP Performance Monitoring	99
2.6.1	Overview of the R2PCIe Box	99
2.6.2	IRP Performance Monitoring Overview	99
2.6.3	IRP Performance Monitors	99
2.6.3.1	IRP Box Level PMON State	100
2.6.3.2	IRP PMON state - Counter/Control Pairs	100
2.6.4	IRP Performance Monitoring Events	101
2.6.4.1	An Overview	101
2.6.5	IRP Box Events Ordered By Code	101
2.6.6	IRP Box Performance Monitor Event List	102
2.7	Power Control (PCU) Performance Monitoring	109
2.7.1	Overview of the PCU	109
2.7.2	PCU Performance Monitoring Overview	109
2.7.2.1	PCU PMON Registers - On Overflow and the Consequences (PMI/Freeze)	110
2.7.3	PCU Performance Monitors	110
2.7.3.1	PCU Box Level PMON State	111
2.7.3.2	PCU PMON state - Counter/Control Pairs	111
2.7.4	PCU Performance Monitoring Events	114
2.7.4.1	An Overview:	114
2.7.5	PCU Box Events Ordered By Code	115
2.7.6	PCU Box Common Metrics (Derived Events)	117
2.7.7	PCU Box Performance Monitor Event List	118
2.8	Intel® QPI Link Layer Performance Monitoring	131
2.8.1	Overview of the Intel® QPI Box	131
2.8.2	Intel® QPI Performance Monitoring Overview	131
2.8.2.1	QPI PMON Registers - On Overflow and the Consequences (PMI/Freeze)	131
2.8.3	Intel® QPI Performance Monitors	132
2.8.3.1	Intel® QPI Box Level PMON State	133
2.8.3.2	Intel® QPI PMON state - Counter/Control Pairs	133
2.8.3.3	Intel® QPI Registers for Packet Mask/Match Facility	134
2.8.3.4	Intel® QPI Extra Registers - Companions to PMON HW	138
2.8.4	Intel® QPI LL Performance Monitoring Events	139
2.8.4.1	An Overview	139
2.8.5	QPI LL Box Events Ordered By Code	139
2.8.6	QPI LL Box Common Metrics (Derived Events)	141
2.8.7	QPI LL Box Performance Monitor Event List	143
2.9	R2PCIe Performance Monitoring	163
2.9.1	Overview of the R2PCIe Box	163

2.9.2	R2PCIe Performance Monitoring Overview.....	163
2.9.2.1	R2PCIe PMON Registers - On Overflow and the Consequences (PMI/Freeze)	163
2.9.3	R2PCIe Performance Monitors	164
2.9.3.1	R2PCIe Box Level PMON State	164
2.9.3.2	R2PCIe PMON state - Counter/Control Pairs	165
2.9.4	R2PCIe Performance Monitoring Events	166
2.9.4.1	An Overview	166
2.9.5	R2PCIe Box Events Ordered By Code	166
2.9.6	R2PCIe Box Common Metrics (Derived Events)	166
2.9.7	R2PCIe Box Performance Monitor Event List	167
2.10	R3QPI Performance Monitoring.....	173
2.10.1	Overview of the R3QPI Box.....	173
2.10.2	R3QPI Performance Monitoring Overview	173
2.10.2.1	R3QPI PMON Registers - On Overflow and the Consequences (PMI/Freeze)	173
2.10.3	R3QPI Performance Monitors.....	174
2.10.3.1	R3QPI Box Level PMON State	174
2.10.3.2	R3QPI PMON state - Counter/Control Pairs	175
2.10.4	R3QPI Performance Monitoring Events.....	176
2.10.4.1	An Overview	176
2.10.5	R3QPI Box Events Ordered By Code.....	177
2.10.6	R3QPI Box Common Metrics (Derived Events)	177
2.10.7	R3QPI Box Performance Monitor Event List	177
2.11	Packet Matching Reference	190



Figures

1-1	Intel Xeon Processor E7-8800 v2 family Block Diagram	5
1-2	Intel Xeon Processor E5-2600 v2 Product Family Block Diagram	6
1-3	Intel Xeon Processor E5-1600 v2 Product Family Block Diagram	7
1-4	Perfmon Control/Counter Block Diagram	9

Tables

1-1	Per-Box Performance Monitoring Capabilities	8
1-2	MSR Space Uncore Performance Monitoring Registers	10
1-3	PCICFG Space Uncore Performance Monitoring Registers	12
2-1	Global Performance Monitoring Control MSRs	18
2-2	U_MSR_PMON_GLOBAL_CTL Register – Field Definitions	19
2-3	U_MSR_PMON_GLOBAL_STATUS Register – Field Definitions	20
2-4	U_MSR_PMON_GLOBAL_CONFIG Register – Field Definitions	20
2-5	U_MSR_PMON_BOX_STATUS Register – Field Definitions	22
2-6	U_MSR_PMON_CTL{1-0} Register – Field Definitions	22
2-7	U_MSR_PMON_CTR{1-0} Register – Field Definitions	23
2-8	U_MSR_PMON_FIXED_CTL Register – Field Definitions	23
2-9	U_MSR_PMON_FIXED_CTR Register – Field Definitions	23
2-10	Unit Masks for EVENT_MSG	24
2-11	Unit Masks for PHOLD_CYCLES	25
2-12	CBo Performance Monitoring MSRs	26
2-13	Cn_MSR_PMON_BOX_CTL Register – Field Definitions	33
2-14	Cn_MSR_PMON_CTL{3-0} Register – Field Definitions	33
2-15	Cn_MSR_PMON_CTR{3-0} Register – Field Definitions	34
2-16	Cn_MSR_PMON_BOX_FILTER Register – Field Definitions	34
2-17	Cn_MSR_PMON_BOX_FILTER1 Register – Field Definitions	35
2-18	Opcode Match by IDI Packet Type for Cn_MSR_PMON_BOX_FILTER.opc	35
2-19	Unit Masks for LLC_LOOKUP	41
2-20	Unit Masks for LLC_VICTIMS	41
2-21	Unit Masks for MISC	42
2-22	Unit Masks for RING_AD_USED	43
2-23	Unit Masks for RING_AK_USED	43
2-24	Unit Masks for RING_BL_USED	44
2-25	Unit Masks for RING_BOUNCES	45
2-26	Unit Masks for RING_IV_USED	45
2-27	Unit Masks for RxR_EXT_STARVED	46
2-28	Unit Masks for RxR_INSERTS	46
2-29	Unit Masks for RxR_IPO_RETRY	47
2-30	Unit Masks for RxR_IRQ_RETRY	47
2-31	Unit Masks for RxR_ISMQ_RETRY	48
2-32	Unit Masks for RxR_OCCUPANCY	49
2-33	Unit Masks for TOR_INSERTS	50
2-34	Unit Masks for TOR_OCCUPANCY	51
2-35	Unit Masks for TxR_ADS_USED	53
2-36	Unit Masks for TxR_INSERTS	53
2-37	HA Performance Monitoring MSRs	55
2-38	HA_PCI_PMON_BOX_CTL Register – Field Definitions	56
2-39	HA_PCI_PMON_BOX_STATUS Register – Field Definitions	56
2-40	HA_PCI_PMON_CTL{3-0} Register – Field Definitions	57

2-41	HA_PCI_PMON_CTR{3-0} Register – Field Definitions	57
2-42	HA_PCI_PMON_BOX_OPCODEMATCH Register – Field Definitions	58
2-43	HA_PCI_PMON_BOX_ADDRMATCH1 Register – Field Definitions	58
2-44	Unit Masks for ADDR_OPC_MATCH	61
2-45	Unit Masks for BT_OCCUPANCY	62
2-46	Unit Masks for BYPASS_IMC	62
2-47	Unit Masks for CONFLICT_CYCLES	63
2-48	Unit Masks for DIRECTORY_LOOKUP	64
2-49	Unit Masks for DIRECTORY_UPDATE	64
2-50	Unit Masks for IGR_NO_CREDIT_CYCLES	65
2-51	Unit Masks for IMC_READS	65
2-52	Unit Masks for IMC_WRITES	66
2-53	Unit Masks for IODC_CONFLICTS	66
2-54	Unit Masks for OSB	67
2-55	Unit Masks for OSB_EDR	67
2-56	Unit Masks for REQUESTS	67
2-57	Unit Masks for RING_AD_USED	68
2-58	Unit Masks for RING_AK_USED	69
2-59	Unit Masks for RING_BL_USED	69
2-60	Unit Masks for RPO_CYCLES_NO_REG_CREDITS	70
2-61	Unit Masks for SNOOP_RESP	71
2-62	Unit Masks for SNP_RESP_RECV_LOCAL	72
2-63	Unit Masks for TAD_REQUESTS_G0	73
2-64	Unit Masks for TAD_REQUESTS_G1	73
2-65	Unit Masks for TxR_AD_CYCLES_FULL	74
2-66	Unit Masks for TxR_AK_CYCLES_FULL	74
2-67	Unit Masks for TxR_BL	74
2-68	Unit Masks for TxR_BL_CYCLES_FULL	75
2-69	Unit Masks for TxR_BL_OCCUPANCY	75
2-70	Unit Masks for WPO_CYCLES_NO_REG_CREDITS	76
2-71	iMC Performance Monitoring MSRs	78
2-72	MC_CHy_PCI_PMON_BOX_CTL Register – Field Definitions	79
2-73	MC_CHy_PCI_PMON_BOX_STATUS Register – Field Definitions	79
2-74	MC_CHy_PCI_PMON_CTL{3-0} Register – Field Definitions	80
2-75	MC_CHy_PCI_PMON_FIXED_CTL Register – Field Definitions	81
2-76	MC_CHy_PCI_PMON_CTR{FIXED,3-0} Register – Field Definitions	81
2-77	Unit Masks for ACT_COUNT	84
2-78	Unit Masks for BYP_CMDS	84
2-79	Unit Masks for CAS_COUNT	85
2-80	Unit Masks for DRAM_REFRESH	86
2-81	Unit Masks for MAJOR_MODES	86
2-82	Unit Masks for POWER_CKE_CYCLES	87
2-83	Unit Masks for POWER_THROTTLE_CYCLES	88
2-84	Unit Masks for PREEMPTION	89
2-85	Unit Masks for PRE_COUNT	89
2-86	Unit Masks for RD_CAS_PRIO	89
2-87	Unit Masks for RD_CAS_RANK0	90
2-88	Unit Masks for RD_CAS_RANK1	90
2-89	Unit Masks for RD_CAS_RANK2	91
2-90	Unit Masks for RD_CAS_RANK3	91
2-91	Unit Masks for RD_CAS_RANK4	91
2-92	Unit Masks for RD_CAS_RANK5	92



2-93	Unit Masks for RD_CAS_RANK6	92
2-94	Unit Masks for RD_CAS_RANK7	93
2-95	Unit Masks for VMSE_WR_PUSH	94
2-96	Unit Masks for WMM_TO_RMM	94
2-97	Unit Masks for WR_CAS_RANK0	96
2-98	Unit Masks for WR_CAS_RANK1	96
2-99	Unit Masks for WR_CAS_RANK2	96
2-100	Unit Masks for WR_CAS_RANK3	97
2-101	Unit Masks for WR_CAS_RANK4	97
2-102	Unit Masks for WR_CAS_RANK5	98
2-103	Unit Masks for WR_CAS_RANK6	98
2-104	Unit Masks for WR_CAS_RANK7	99
2-105	IRP Performance Monitoring Registers	99
2-106	IRP_PCI_PMON_BOX_CTL Register – Field Definitions	100
2-107	IRP_PCI_PMON_BOX_STATUS Register – Field Definitions	100
2-108	IRP_PCI_PMON_CTL{3-0} Register – Field Definitions	101
2-109	IRP{0,1}_PCI_PMON_CTR{1-0} Register – Field Definitions	101
2-110	Unit Masks for ADDRESS_MATCH	103
2-111	Unit Masks for CACHE_ACK_PENDING_OCCUPANCY	103
2-112	Unit Masks for CACHE_OWN_OCCUPANCY	103
2-113	Unit Masks for CACHE_READ_OCCUPANCY	104
2-114	Unit Masks for CACHE_TOTAL_OCCUPANCY	104
2-115	Unit Masks for CACHE_WRITE_OCCUPANCY	105
2-116	Unit Masks for TICKLES	107
2-117	Unit Masks for TRANSACTIONS	108
2-118	PCU Performance Monitoring MSRs	110
2-119	PCU_MSR_PMON_BOX_CTL Register – Field Definitions	111
2-120	PCU_MSR_PMON_BOX_STATUS Register – Field Definitions	111
2-121	PCU_MSR_PMON_CTL{3-0} Register – Field Definitions	112
2-122	PCU_MSR_PMON_CTR{3-0} Register – Field Definitions	113
2-123	PCU_MSR_PMON_BOX_FILTER Register – Field Definitions	114
2-124	PCU_MSR_CORE_C6_CTR Register – Field Definitions	114
2-125	PCU_MSR_CORE_C3_CTR Register – Field Definitions	114
2-126	PCU Configuration Examples	115
2-127	Unit Masks for POWER_STATE_OCCUPANCY	129
2-128	Intel® QPI Performance Monitoring Registers	132
2-129	Q_Py_PCI_PMON_BOX_CTL Register – Field Definitions	133
2-130	Q_Py_PCI_PMON_BOX_STATUS Register – Field Definitions	133
2-131	Q_Py_PCI_PMON_CTL{3-0} Register – Field Definitions	134
2-132	Q_Py_PCI_PMON_CTR{3-0} Register – Field Definitions	134
2-133	Q_Py_PCI_PMON_PKT_MATCH1 Registers	135
2-134	Q_Py_PCI_PMON_PKT_MATCH0 Registers	135
2-135	Q_Py_PCI_PMON_PKT_MASK1 Registers	136
2-136	Q_Py_PCI_PMON_PKT_MASK0 Registers	136
2-137	Message Events Derived from the Match/Mask filters	137
2-138	QPI_RATE_STATUS Register – Field Definitions	138
2-139	Unit Masks for DIRECT2CORE	144
2-140	Unit Masks for RxL_CREDITS_CONSUMED_VNO	145
2-141	Unit Masks for RxL_CREDITS_CONSUMED_VN1	146
2-142	Unit Masks for RxL_FLITS_G0	147
2-143	Unit Masks for RxL_FLITS_G1	148
2-144	Unit Masks for RxL_FLITS_G2	149

2-145 Unit Masks for RxL_INSERTS_DRS	150
2-146 Unit Masks for RxL_INSERTS_HOM	150
2-147 Unit Masks for RxL_INSERTS_NCB	151
2-148 Unit Masks for RxL_INSERTS_NCS	151
2-149 Unit Masks for RxL_INSERTS_NDR	151
2-150 Unit Masks for RxL_INSERTS_SNP	152
2-151 Unit Masks for RxL_OCCUPANCY_DRS	152
2-152 Unit Masks for RxL_OCCUPANCY_HOM	153
2-153 Unit Masks for RxL_OCCUPANCY_NCB	153
2-154 Unit Masks for RxL_OCCUPANCY_NCS	153
2-155 Unit Masks for RxL_OCCUPANCY_NDR	154
2-156 Unit Masks for RxL_OCCUPANCY_SNP	154
2-157 Unit Masks for TxL_FLITS_G0	156
2-158 Unit Masks for TxL_FLITS_G1	156
2-159 Unit Masks for TxL_FLITS_G2	157
2-160 Unit Masks for TxR_AD_HOM_CREDIT_ACQUIRED	158
2-161 Unit Masks for TxR_AD_HOM_CREDIT_OCCUPANCY	159
2-162 Unit Masks for TxR_AD_NDR_CREDIT_ACQUIRED	159
2-163 Unit Masks for TxR_AD_NDR_CREDIT_OCCUPANCY	159
2-164 Unit Masks for TxR_AD_SNP_CREDIT_ACQUIRED	160
2-165 Unit Masks for TxR_AD_SNP_CREDIT_OCCUPANCY	160
2-166 Unit Masks for TxR_BL_DRS_CREDIT_ACQUIRED	161
2-167 Unit Masks for TxR_BL_DRS_CREDIT_OCCUPANCY	161
2-168 Unit Masks for TxR_BL_NCB_CREDIT_ACQUIRED	161
2-169 Unit Masks for TxR_BL_NCB_CREDIT_OCCUPANCY	162
2-170 Unit Masks for TxR_BL_NCS_CREDIT_ACQUIRED	162
2-171 Unit Masks for TxR_BL_NCS_CREDIT_OCCUPANCY	162
2-172 R2PCIe Performance Monitoring Registers	164
2-173 R2_PCI_PMON_BOX_CTL Register – Field Definitions	164
2-174 R2_PCI_PMON_BOX_STATUS Register – Field Definitions	165
2-175 R2_PCI_PMON_CTL{3-0} Register – Field Definitions	165
2-176 R2_PCI_PMON_CTR{3-0} Register – Field Definitions	166
2-177 Unit Masks for RING_AD_USED	167
2-178 Unit Masks for RING_AK_USED	168
2-179 Unit Masks for RING_BL_USED	169
2-180 Unit Masks for RING_IV_USED	170
2-181 Unit Masks for RxR_AK_BOUNCES	170
2-182 Unit Masks for RxR_CYCLES_NE	170
2-183 Unit Masks for RxR_INSERTS	171
2-184 Unit Masks for RxR_OCCUPANCY	171
2-185 Unit Masks for TxR_CYCLES_FULL	171
2-186 Unit Masks for TxR_CYCLES_NE	172
2-187 Unit Masks for TxR_NACK_CCW	172
2-188 Unit Masks for TxR_NACK_CW	172
2-189 R3QPI Performance Monitoring Registers	174
2-190 R3_Ly_PCI_PMON_BOX_CTL Register – Field Definitions	175
2-191 R3_Ly_PCI_PMON_BOX_STATUS Register – Field Definitions	175
2-192 R3_Ly_PCI_PMON_CTL{2-0} Register – Field Definitions	176
2-193 R3_Ly_PCI_PMON_CTR{2-0} Register – Field Definitions	176
2-194 Unit Masks for C_HI_AD_CREDITS_EMPTY	178
2-195 Unit Masks for C_LO_AD_CREDITS_EMPTY	178
2-196 Unit Masks for HA_R2_BL_CREDITS_EMPTY	179



2-197 Unit Masks for QPIO_AD_CREDITS_EMPTY.....	179
2-198 Unit Masks for QPIO_BL_CREDITS_EMPTY	179
2-199 Unit Masks for QPI1_AD_CREDITS_EMPTY.....	180
2-200 Unit Masks for QPI1_BL_CREDITS_EMPTY	180
2-201 Unit Masks for RING_AD_USED.....	181
2-202 Unit Masks for RING_AK_USED.....	181
2-203 Unit Masks for RING_BL_USED	182
2-204 Unit Masks for RING_IV_USED	182
2-205 Unit Masks for RxR_CYCLES_NE.....	183
2-206 Unit Masks for RxR_INSERTS.....	184
2-207 Unit Masks for RxR_OCCUPANCY.....	184
2-208 Unit Masks for TxR_NACK_CCW	185
2-209 Unit Masks for TxR_NACK_CW	185
2-210 Unit Masks for VNO_CREDITS_REJECT	186
2-211 Unit Masks for VNO_CREDITS_USED.....	186
2-212 Unit Masks for VN1_CREDITS_REJECT	187
2-213 Unit Masks for VN1_CREDITS_USED.....	188
2-214 Unit Masks for VNA_CREDITS_ACQUIRED	189
2-215 Unit Masks for VNA_CREDITS_REJECT	189
2-216 Intel® QuickPath Interconnect Packet Message Classes	190
2-217 Opcode Match by Message Class	190
2-218 Opcodes (Alphabetical Listing)	191

§

CHAPTER 1 INTRODUCTION

1.1 INTRODUCTION

The uncore sub-system of the Intel® Xeon® processor E7-8800 v2/E5-2600 v2, and E5-1600 v2 Product Families are shown in Figure 1-1, Figure 1-2 and Figure 1-3. The uncore sub-system consists of a variety of components, ranging from the CBox caching agent to the power controller unit (PCU), integrated memory controller (iMC) and home agent (HA), to name a few. Most of these components provide similar performance monitoring capabilities.

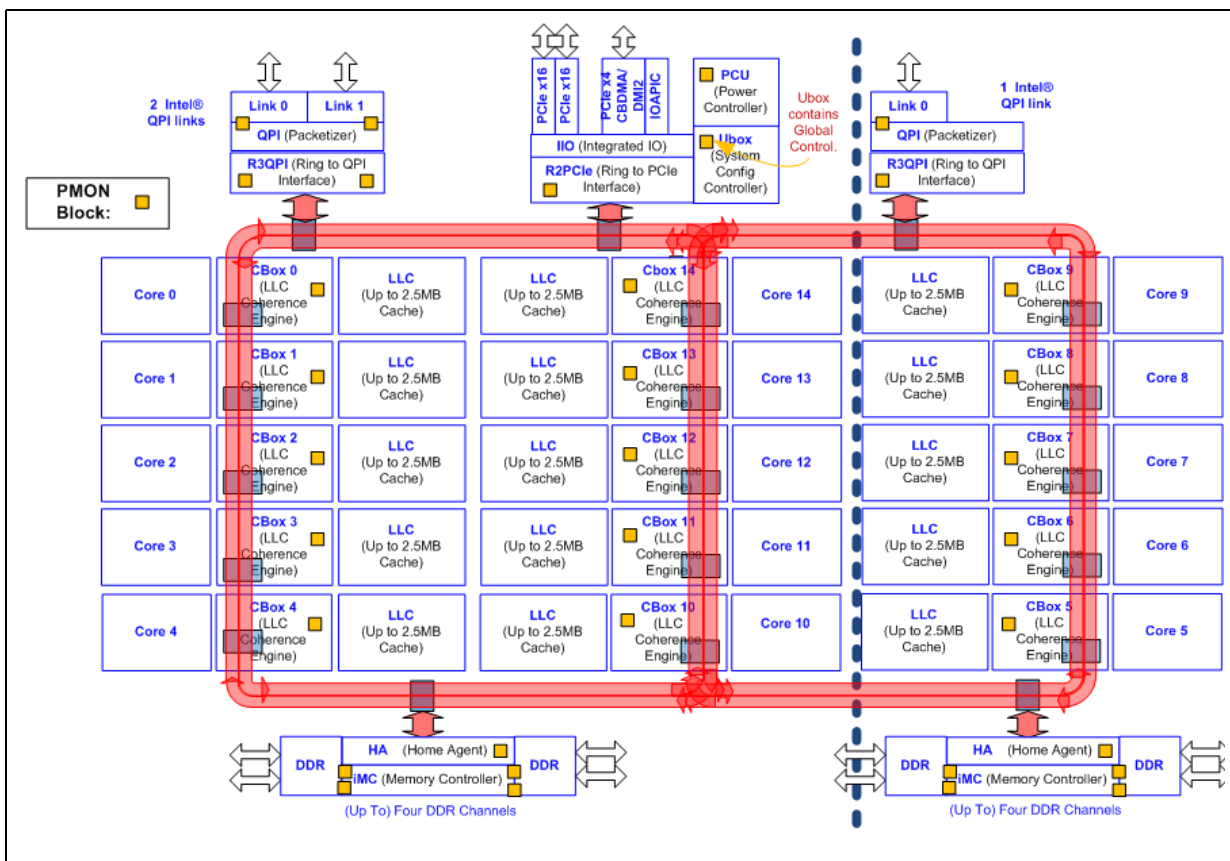


Figure 1-1. Intel Xeon Processor E7-8800 v2 family Block Diagram

NOTE

This diagram represents one possible EX configuration. Not all skus support all features.

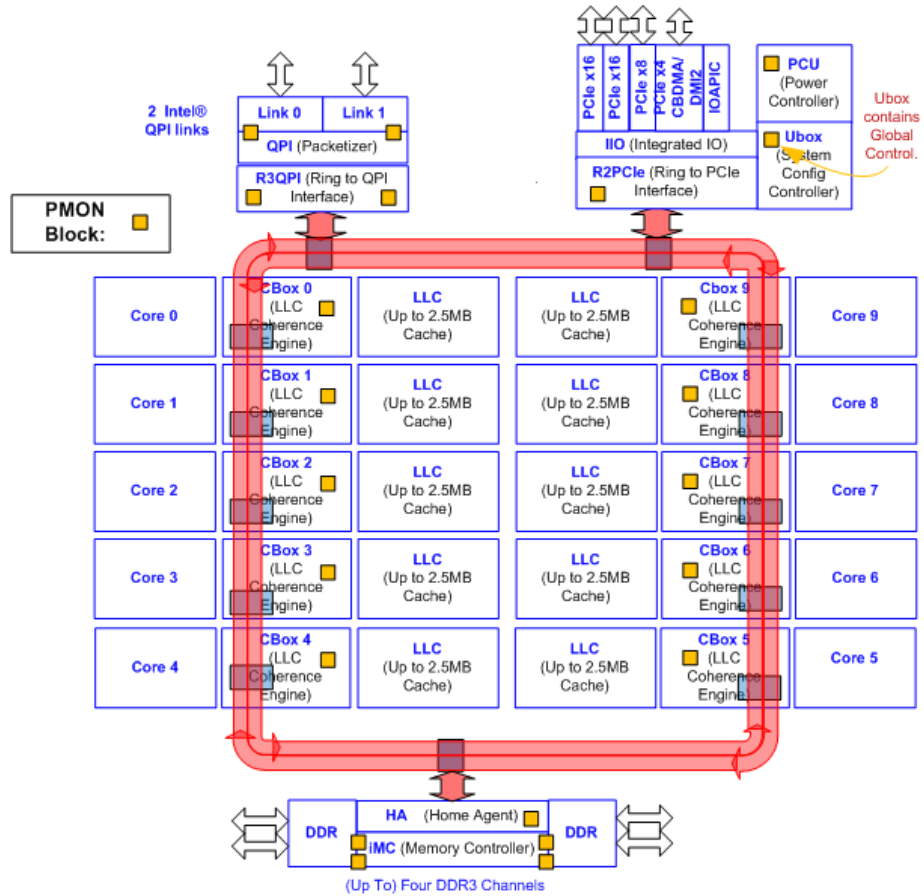


Figure 1-2. Intel Xeon Processor E5-2600 v2 Product Family Block Diagram

NOTE

This diagram represents one possible EP configuration. Not all skus support all features.

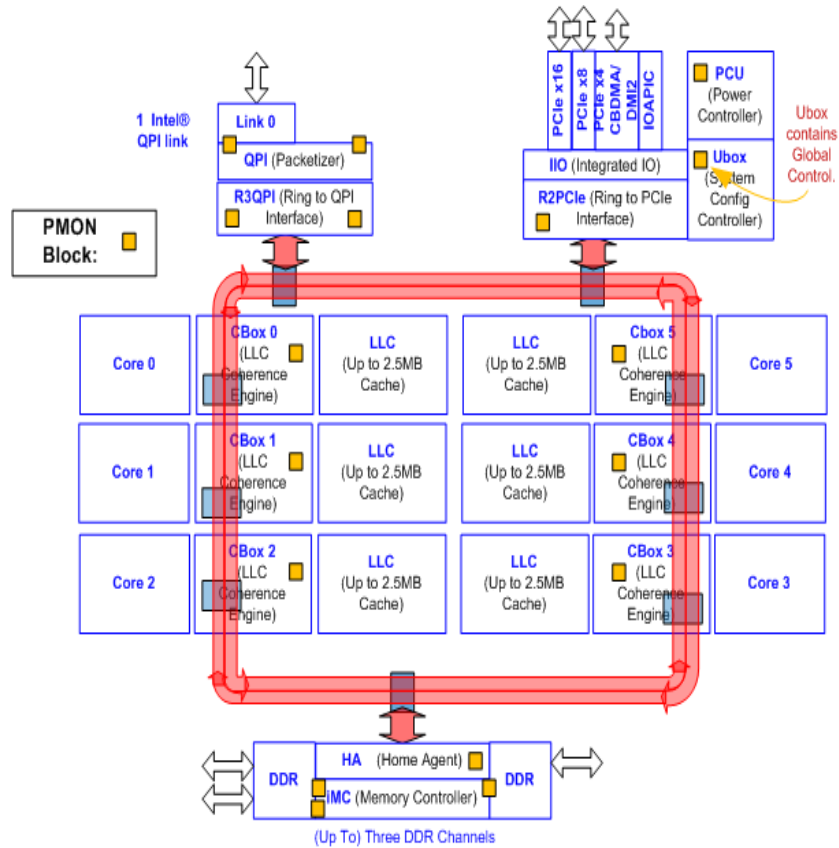


Figure 1-3. Intel Xeon Processor E5-1600 v2 Product Family Block Diagram

NOTE

This diagram represents one possible EN configuration. Not all skus support all features.

1.2 UNCORE PMON OVERVIEW

The uncore performance monitoring facilities are organized into per-component performance monitoring (or ‘PMON’) units. A PMON unit within an uncore component may contain one or more sets of counter registers. With the exception of the UBox, each PMON unit provides a unit-level control register to synchronize actions across the counters within the box (e.g. to start/stop counting).

Events can be collected by reading a set of local counter registers. Each counter register is paired with a dedicated control register used to specify what to count (i.e. through the event select/umask fields) and how to count it. Some units provide the ability to specify additional information that can be used to ‘filter’ the monitored events (e.g., C-box; see Section 2.3.3.3, “CBo Filter Registers (Cn_MSR_PMON_BOX_FILTER{0,1})”).

Each of these boxes communicates with the U-Box which contains registers to control all uncore PMU activity (as outlined in Section 2.1, “Uncore Per-Socket Performance Monitoring Control”). Uncore performance monitors represent a per-socket resource that is not meant to be affected by context



switches and thread migration performed by the OS, it is recommended that the monitoring software agent establish a fixed affinity binding to prevent cross-talk of event counts from different uncore PMU.

The programming interface of the counter registers and control registers fall into two address spaces:

- Accessed by MSR are PMON registers within the Cbo units, PCU, and U-Box, see Table 1-2.
- Access by PCI device configuration space are PMON registers within the HA, iMC, QPI, R2PCIe and R3QPI units, see Table 1-3.

Irrespective of the address-space difference and with only minor exceptions, the bit-granular layout of the control registers to program event code, unit mask, start/stop, and signal filtering via threshold/edge detect are the same.

Software may be notified of an overflowing uncore counter on any core.

The general performance monitoring capabilities of each box are outlined in the following table.

Table 1-1. Per-Box Performance Monitoring Capabilities

Box	# Boxes	# Counters/Box	# Queue Enabled	Packet Match/Mask Filters?	Bit Width
C-Box	up to 15	4	1	Y	44
HA	up to 2	4	4	Y	48
iMC	up to 2 (each with 4 channels)	4 (+1) (per channel)	4	N	48
PCU	1	4 (+2)	4	N	48
QPI	up to 2 (2 or 3 ports)	4 (per port)	4	Y	48
R2PCIe	1	4	1	N	44
R3QPI	up to 2 (2 or 3 links)	3 (per link)	1	N	44
U-Box	1	2 (+1)	0	N	44
IRP	1	4	4	N	48

1.3 SECTION REFERENCES

The following sections provide a breakdown of the performance monitoring capabilities for each box.

- Section 2.1, “Uncore Per-Socket Performance Monitoring Control”
- Section 2.2, “UBox Performance Monitoring”
- Section 2.3, “Cacheing Agent (Cbo) Performance Monitoring”
- Section 2.4, “Home Agent (HA) Performance Monitoring”
- Section 2.5, “Memory Controller (iMC) Performance Monitoring”
- Section 2.6, “IRP Performance Monitoring”
- Section 2.7, “Power Control (PCU) Performance Monitoring”
- Section 2.8, “Intel® QPI Link Layer Performance Monitoring”
- Section 2.9, “R2PCIe Performance Monitoring”
- Section 2.10, “R3QPI Performance Monitoring”
- Section 2.11, “Packet Matching Reference”

1.4 UNCORE PMON - TYPICAL CONTROL/COUNTER LOGIC

Following is a diagram of the standard perfmon counter block illustrating how event information is routed and stored within each counter and how its paired control register helps to select and filter the incoming information. Details for how control bits affect event information is presented in each of the box subsections of Chapter 2, with some summary information below.

NOTE: The PCU uses an adaptation of this block (refer to Section 2.7.3, “PCU Performance Monitors” more information). Also note that only a subset of the available control bits are presented in the diagram.

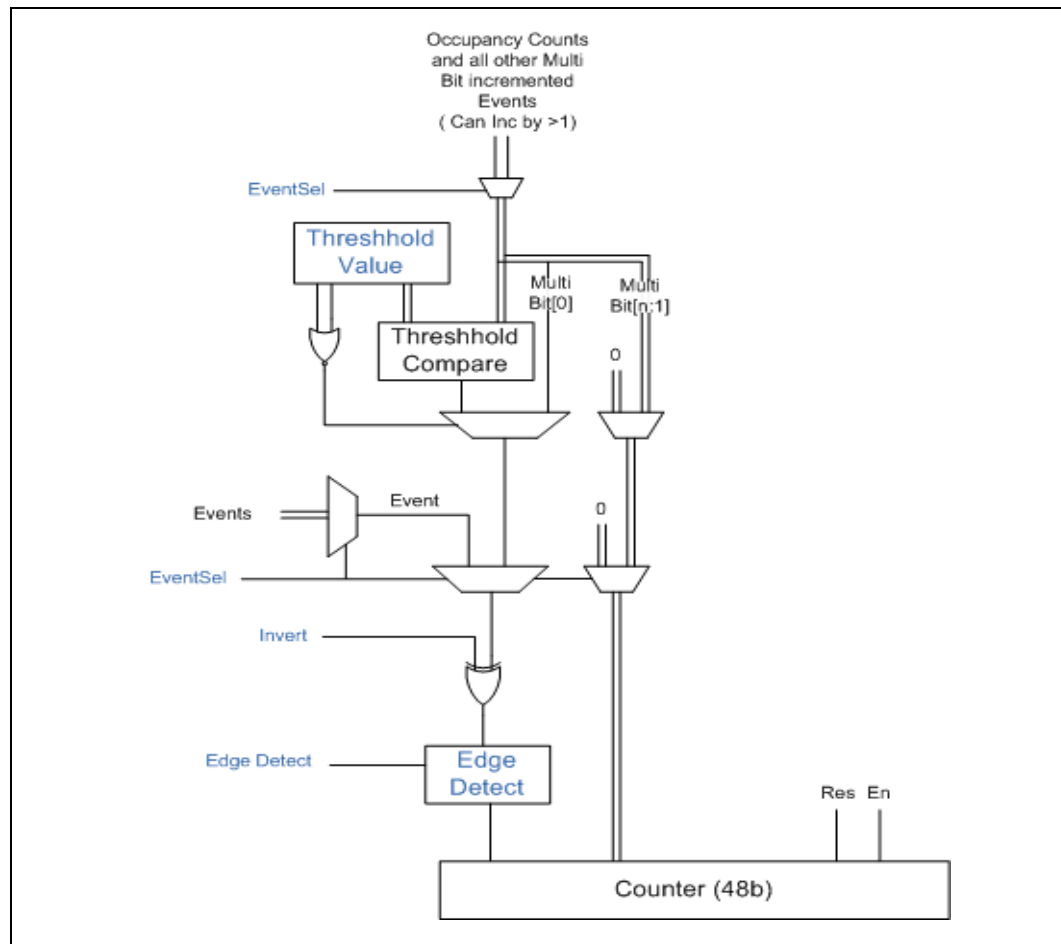


Figure 1-4. Perfmon Control/Counter Block Diagram

Selecting What To Monitor: The main task of a configuration register is to select the event to be monitored by its respective data counter. Setting the `.ev_sel` and `.umask` fields performs the event selection.

Telling HW that the Control Register Is Set: `.en` bit must be set to 1 to enable counting. Once counting has been enabled in the box and global level of the Performance Monitoring Hierarchy (refer to Section 2.1.2, “Setting up a Monitoring Session” for more information), the paired data register will begin to collect events.

Additional control bits include:



Notification after X events: . - instead of manually stopping the counters at intervals (often wall clock time) pre-determined by software, hardware can be set to notify monitoring software when a set number of events has occurred. The Overflow Enable bit is provided for just that purpose. See Section 2.1.1, "Counter Overflow" for more information on how to use this mechanism.

Applying a Threshold to Incoming Events: .*thresh* - since most counters can increment by a value greater than 1, a threshold can be applied to generate an event based on the outcome of the comparison. If the .*thresh* is set to a non-zero value, that value is compared against the incoming count for that event in each cycle. If the incoming count is \geq the threshold value, then the event count captured in the data register will be incremented by 1.

Using the threshold field to generate additional events can be particularly useful when applied to a queue occupancy count. For example, if a queue is known to contain eight entries, it may be useful to know how often it contains 6 or more entries (i.e. Almost Full) or when it contains 1 or more entries (i.e. Not Empty).

NOTE

For Intel® Xeon® Processor E5 v2 and E7 v2 Product Families the .*edge_det* bit follow the threshold comparison in sequence. If a user wishes to apply these bits to events that only increment by 1 per cycle, .*thresh* must be set to 0x1.

Counting State Transitions Instead of per-Cycle Events: .*edge_det* - Rather than accumulating the raw count each cycle (for events that can increment by 1 per cycle), the register can capture transitions from no event to an event incoming (i.e. the 'Rising Edge').

1.5 UNCORE PMU SUMMARY TABLES

Following is a list of the registers provided in the Uncore for Performance Monitoring. It should be noted that the Uncore Performance Monitors are split between MSR space (U, CBo and PCU) and PCICFG space.

Table 1-2. MSR Space Uncore Performance Monitoring Registers

Box	MSR Addresses	Description
C-Box Counters		
C-Box 14	0xED9-0xED6	Counter Registers
	0xED4,0xEDA	Counter Filters
	0xED3-0xED0	Counter Config Registers
	0xEC4	Box Control
C-Box 13	0xEB9-0xEB6	Counter Registers
	0xEB4,0xEBA	Counter Filters
	0xEB3-0xEB0	Counter Config Registers
	0xEA4	Box Control
C-Box 12	0xE99-0xE96	Counter Registers
	0xE94,0xE9A	Counter Filters
	0xE93-0xE90	Counter Config Registers
	0xE84	Box Control
C-Box 11	0xE79-0xE76	Counter Registers
	0xE74,0xE7A	Counter Filters



Table 1-2. MSR Space Uncore Performance Monitoring Registers

Box	MSR Addresses	Description
	0xE73-0xE70	Counter Config Registers
	0xE64	Box Control
C-Box 10	0xE59-0xE56	Counter Registers
	0xE54,0xE5A	Counter Filters
	0xE53-0xE50	Counter Config Registers
	0xE44	Box Control
C-Box 9	0xE39-0xE36	Counter Registers
	0xE34,0xE3A	Counter Filters
	0xE33-0xE30	Counter Config Registers
	0xE24	Box Control
C-Box 8	0xE19-0xE16	Counter Registers
	0xE14,0xE1A	Counter Filters
	0xE13-0xE10	Counter Config Registers
	0xE04	Box Control
C-Box 7	0xDF9-0xDF6	Counter Registers
	0xDF4,0xDFA	Counter Filters
	0xDF3-0xDF0	Counter Config Registers
	0xDE4	Box Control
C-Box 6	0xDD9-0xDD6	Counter Registers
	0xDD4,0xDDA	Counter Filters
	0xDD3-0xDD0	Counter Config Registers
	0xDC4	Box Control
C-Box 5	0xDB9-0xDB6	Counter Registers
	0xDB4,0xDBA	Counter Filters
	0xDB3-0xDB0	Counter Config Registers
	0xDA4	Box Control
C-Box 4	0xD99-0xD96	Counter Registers
	0xD94,0xD9A	Counter Filters
	0xD93-0xD90	Counter Config Registers
	0xD84	Box Control
C-Box 3	0xD79-0xD76	Counter Registers
	0xD74,0xD7A	Counter Filters
	0xD73-0xD70	Counter Config Registers
	0xD64	Box Control
C-Box 2	0xD59-0xD56	Counter Registers
	0xD54,0xD5A	Counter Filters
	0xD53-0xD50	Counter Config Registers
	0xD55,0xD44	Box Status/Control
C-Box 1	0xD39-0xD36	Counter Registers
	0xD34,0xD3A	Counter Filters
	0xD33-0xD30	Counter Config Registers



Table 1-2. MSR Space Uncore Performance Monitoring Registers

Box	MSR Addresses	Description
	0xD24	Box Control
C-Box 0	0xD19-0xD16	Counter Registers
	0xD14,0xD1A	Counter Filters
	0xD13-0xD10	Counter Config Registers
	0xD04	Box Control
PCU Counters		
	0xC39-0xC36	Counter Registers
	0xC35,0xC24	Box Control/Status
	0xC34	Counter Filters
	0xC33-0xC30	Counter Config Registers
	0x3FC-0x3FD	Fixed Counters (Non-PMON)
U-Box Counters		
For U-Box	0xC17-0xC16	Counter Registers
	0xC15	Box Status
	0xC11-0xC10	Counter Config Registers
	0xC09-0xC08	Fixed Counter/Config Register
U-Box Counters		
For Global Control	0xC06	Misc
	0xC01-0xC00	Global Control/Status

Table 1-3. PCICFG Space Uncore Performance Monitoring Registers

Box	PCICFG Register Addresses	Description
HA0	D14:F1	
HA1	D30:F1	
	F8-F4	Box Control/Status
	E4-D8	Counter Config Registers
	BC-A0	Counter Registers
	48-40	Opcode/Addr Match Filters
iMC0	D16:F4,5,0,1	F(4,5,0,1) For Channel 0,1,2,3
iMC1	D30:F4,5,0,1	F(4,5,0,1) For Channel 0,1,2,3
	F8-F4	Box Control/Status
	F0	Counter Config Register (Fixed)
	E4-D8	Counter Config Registers (General)
	D4-D0	Counter Register (Fixed)
	BC-A0	Counter Registers (General)
IRP	D5:F6	



Table 1-3. PCICFG Space Uncore Performance Monitoring Registers

Box	PCICFG Register Addresses	Description
	F8-F4	Box Control/Status
	E4-E0 & DC-D8	Counter Config Registers
	C0-B8 & B0-A0	Counter Registers
QPI0	D8,9:F2	D(8,9) for Port 0,1
QPI1	D24:F2	D24 for Port 2
	F8-F4	Box Control/Status
	E4-D8	Counter Config Registers
	BC-A0	Counter Registers
QPI0 Mask/Match	D8,9:F6	D(8,9) for Port 0,1
QPI1 Mask/Match	D24:F6	D24 for Port 2
	23C-238	Mask 0,1
	22C-228	Match 0,1
QPI0 Misc	D8:F0	D8 for Port 0,1
QPI1 Misc	D24:F0	D24 for Port 2
	D4	QPI Rate Status
R2PCIe	D19:F1	
	F8-F4	Box Control/Status
	E4-D8	Counter Config Registers
	BC-A0	Counter Registers
R3QPI0	D19:F5,6	F(5,6) for Link 0,1
R3QPI1	D18:F5	F5 for Link 2
	F8-F4	Box Control/Status
	E0-D8	Counter Config Registers
	B4-A0	Counter Registers

1.6 ON PARSING AND USING DERIVED EVENTS

For many of the sections in the chapter covering the Performance Monitoring capabilities of each box, a set of commonly measured metrics or 'Derived Events' have been included. For the most part, these derived events are simple mathematical combinations of events found within the box. (e.g. [SAMPLE]) However, there are some extensions to the notation used by the metrics.

Following is a breakdown of a Derived Event to illustrate many of the notations used. To calculate "Average Number of Data Read Entries that Miss the LLC when the TOR is not empty".

```
(TOR_OCCUPANCY.MISS_OPCODE / COUNTER0_OCCUPANCY{edge_det, thresh=0x1}))
with:Cn_MSR_PMON_BOX_FILTER.opc=0x182.
```

Requires programming an extra control register (often for filtering):

- For a single field: with:Register_Name.field=value1
- For multiple fields: with:Register_Name.{field1,field2,...}={value1,value2,...}



- e.g. with: `Cn_MSR_PMON_BOX_FILTER. {opc, nid}={0x182, my_node}`

Requires reading a fixed data register

- For the case where the metric requires the information contained in a fixed data register, the mnemonic for the register will be included in the equation. Software will be responsible for configuring the data register and setting it to start counting with the other events used by the metric.
- e.g. `POWER_THROTTLE_CYCLES.RANKx / MC_Chy_PCI_PMON_CTR_FIXED`

Requires more input to software to determine the specific event/subevent

- In some cases, there may be multiple events/subevents that cover the same information across multiple like hardware units. Rather than manufacturing a derived event for each combination, the derived event will use a lower case variable in the event name.
- e.g. `POWER_CKE_CYCLES.RANKx / MC_Chy_PCI_PMON_CTR_FIXED` where 'x' is a variable to cover events `POWER_CKE_CYCLES.RANK0` through `POWER_CKE_CYCLES.RANK7`

Requires setting extra control bits in the register the event has been programmed in:

- `event_name[.subevent_name]{ctrl_bit[=value],}`
- e.g. `COUNTER0_OCCUPANCY{edge_det, thresh=0x1}`

NOTE: If there is no [=value] specified it is assumed that the bit must be set to 1.

Requires gathering of extra information outside the box (often for common terms):

- See following section for a breakdown of common terms found in Derived Events.

1.6.1 On Common Terms found in Derived Events

To convert a Latency term from a count of clocks to a count of nanoseconds:

- **(Latency Metric)** - `{Box}_CLOCKTICKS * (1000 / UNCORE_FREQUENCY)`

To convert a Bandwidth term from a count of raw bytes at the operating clock to GB/sec:

- **((Traffic Metric in Bytes) / (TOTAL_INTERVAL / (TSC_SPEED * 1000000))) / GB_CONVERSION**
- e.g. For `READ_MEM_BW`, an event derived from `IMC: CAS_COUNT.RD * 64`, which is the amount of memory bandwidth consumed by read requests, put 'READ_MEM_BW' into the bandwidth term to convert the measurement from raw bytes to GB/sec.

Following are some other terms that may be found within Metrics and how they should be interpreted.

- `GB_CONVERSION`: 1024^3
- `TSC_SPEED`: Time Stamp Counter frequency in MHz
- `TOTAL_INTERVAL`: Overall sample interval (TSC) for the instructions retired event. Typically used to compute a per send metric. Dividing the `TOTAL_INTERVAL` by `CPU_SPEED * 1,000,000` is the number of seconds in the sample interval.
- `TOTAL_PROC_CYC`: Total number of CPU cycles for a processor event value. Used with processor event data to determine time or work per time as in MB/sec. `QPI_LINKS`: 2-3 for Intel Xeon Processor E5-2600 v2 Product Family.
- `IMC_CHANNELS`: Up to 8 for Ivy Bridge-EP microarchitecture.

§



CHAPTER 2 UNCORE PERFORMANCE MONITORING

2.1 UNCORE PER-SOCKET PERFORMANCE MONITORING CONTROL

To manage the large number of counter registers distributed across many units and collect event data efficiently, this section describes the hierarchical technique to start/stop/restart event counting that a software agent may need to perform during a monitoring session.

2.1.1 Counter Overflow

If a box's counter overflows, it can send an overflow message to a global PMON manager (the UBox). To do so, the box with the overflowing counter must be allowed to broadcast an overflow message (the `.ov_en` in the individual counter's control register must be set to 1). The overflow will then be picked up and the box sending the overflow will be recorded in the UBox.

Each box in the uncore with performance monitors may be configured to respond to this overflow with two basic actions:

2.1.1.1 Freezing on Counter Overflow

Upon receipt of an overflow message from any box, the UBox will assert the global freeze signal. Once the global freeze has been detected, each box will disable (or 'freeze') all of its counters.

NOTE: the box containing the overflowing counter will be frozen first and there will be some delay before each of the other boxes receives the overflow message.

2.1.1.2 PMI on Counter Overflow

Upon receipt of the overflow message, the UBox can send a PMI signal to the core executing the monitoring software. To do so, the `U_MSR_PMON_GLOBAL_CTL.pmi_core_sel` file must be set to point to the core the monitoring software is executing on.

2.1.2 Setting up a Monitoring Session

On HW reset, all the counters are disabled. Enabling is hierarchical. So the following steps, which include programming the event control registers and enabling the counters to begin collecting events, must be taken to set up a monitoring session. Section 2.1.3 covers the steps to stop/re-start counter registers during a monitoring session.

Global Settings in the UBox: (NOTE: Necessary for U-Box monitoring).

a) Freeze all the uncore counters by setting `U_MSR_PMON_GLOBAL_CTL.frz_all` to 1

OR (if box level freeze control preferred):

a) Freeze the box's counters while setting up the monitoring session.

e.g., set `Cn_MSR_PMON_BOX_CTL.frz` to 1

For each event to be measured within each box:

b) Enable counting for each monitor



e.g. Set `CO_MSR_PMON_CTL2.en` to 1

NOTE

Recommended: set the `.en` bit for all counters in each box a user intends to monitor, and left alone for the duration of the monitoring session.

NOTE

For cases where there is no sharing of these counters among software agents independently sampling the counters, software could set the enable bits for all counters it intends to use during the setup phase. For cases where sharing is expected, each agent could use the individual enable bits in order to perform sampling rather than using the box-level freeze from steps (a) and (d).

c) Select event to monitor if the event control register hasn't been programmed:

Program the `.ev_sel` and `.umask` bits in the control register with the encodings necessary to capture the requested event along with any signal conditioning bits (`.thresh/edge_det`) used to qualify the event.

e.g. Set `CO_MSR_PMON_CTL2.{ev_sel, umask}` to `{0x03, 0x1}` in order to capture `LLC_VICTIMS.M_STATE` in CBo 0's `CO_MSR_PMON_CTL2`.

NOTE

It is also important to program any additional filter registers used to further qualify the events (e.g. setting the opcode match field in `Cn_MSR_BOX_FILTER` to qualify `TOR_INSERTS` by a specific opcode).

Back to the box level:

d) Reset counters in each box to ensure no stale values have been acquired from previous sessions. Resetting the control registers, particularly those that won't be used is also recommended if for no other reason than to prevent errant overflows. To reset both the counters and control registers, write the following registers:

- For each CBo, set `Cn_MSR_PMON_BOX_CTL[1:0]` to 0x3.
- Set `HA_PCI_PMON_BOX_CTL[1:0]` to 0x3.

NOTE

In the HA, when measuring an Occupancy count, it will be necessary to set the `.q_occ_rst` bit to 1 in each control register set to measure an Occupancy count (e.g. `TRACKER_OCCUPANCY`).

- For each Intel® QPI Port, set `Q_Py_PCI_PMON_BOX_CTL[1:0]` to 0x3.
- For each DRAM Channel, set `MC_CHy_PCI_PMON_BOX_CTL[1:0]` to 0x3.
- Set `PCU_MSR_PMON_BOX_CTL[1:0]` to 0x3.
- For each Link, set `R3_Ly_PCI_PMON_BOX_CTL[1:0]` to 0x3.
- Set `R2_PCI_PMON_BOX_CTL[1:0]` to 0x3.

NOTE

The UBox counters do not have a Box Control register. The counters will need to be manually reset by writing a 0 in each data register.



Monitoring:

e) Select how to gather data. If polling, skip to f. If sampling:

To set up a **sample interval**, software can pre-program the data register with a value of $[2^{(\text{register bit width} - \text{up to } 48)} - \text{sample interval length}]$. Doing so allows software, through use of the pmi mechanism, to be **notified** when the number of events in the sample have been captured. Capturing a performance monitoring sample every 'X cycles' (the fixed counter in the UBox counts uncore clock cycles) is a common use of this mechanism.

i.e. To stop counting and receive notification when the 1,000,000th idle flit is transmitted from QPI on Port 0

- set Q_P0_PCI_PMON_CTR1 to $(2^{48} - 1000)$
- set Q_P0_PCI_PMON_CTL1.ev_sel to 0x0
- set Q_P0_PCI_PMON_CTL1.umask to 0x1
- set U_MSR_PMON_GLOBAL_CTL.pmi_core_sel to which core the monitoring thread is executing on.

f) Enable counting at the global level by setting the U_MSR_PMON_GLOBAL_CTL.unfrz_all bit to 1.

OR

f) Enable counting at the box level by unfreezing the counters in each box

e.g. set Cn_MSR_PMON_BOX_CTL.frz to 0

And with that, counting will begin.

NOTE

The UBox does not have a Box Control register, so there's no box-level freeze to help isolate the UBox from agents counting in other boxes. Once enabled and programmed with a valid event, the UBox counters will collect events. For somewhat better synchronization, a user can keep the U_MSR_PMON_CTL.ev_sel at 0x0 while enabled and write it with a valid value just prior to unfreezing the registers in other boxes.

2.1.3 Reading the Sample Interval

Software can **poll** the counters whenever it chooses, or wait to be **notified** that a counter has overflowed (by receiving a PMI).

a) **Polling** - before reading, it is recommended that software freeze the counters in each box with active counters (by setting *_PMON_BOX_CTL.frz to 1). After reading the event counts from the counter registers, the monitoring agent can choose to reset the event counts to avoid event-count wrap-around; or resume the counter register without resetting their values. The latter choice will require the monitoring agent to check and adjust for potential wrap-around situations.

b) **Frozen** counters - If software set the counters to freeze on overflow and send notification when it happens, the next question is: Who caused the freeze?

Overflow bits are stored hierarchically within the uncore. First, software should read the U_MSR_PMON_GLOBAL_STATUS.ov_* bits to determine which box(es) sent an overflow. Then read that box's *_PMON_GLOBAL_STATUS.ov field to find the overflowing counter.

NOTE

More than one counter may overflow at any given time.



2.1.4 Enabling a New Sample Interval from Frozen Counters

- a) Clear all uncore counters: For each box in which counting occurred, set *_PMON_BOX_CTL.rst_ctors to 1.
- b) Clear all overflow bits. This includes clearing U_MSR_PMON_GLOBAL_STATUS.ov_* as well as any *_BOX_STATUS registers that have their overflow bits set.
e.g. If counter 3 in QPI Port 1 overflowed, in order to clear the overflow bit software should set Q_P1_PCI_PMON_BOX_STATUS.ov[3] to 1.
- c) Create the next sample: Reinitialize the sample by setting the monitoring data register to (2^{48} - sample_interval). Or set up a new sample interval as outlined in Section 2.1.2, "Setting up a Monitoring Session".
- d) Re-enable counting: Set U_MSR_PMON_GLOBAL_CTL.unfrz_all to 1.

2.1.5 Global Performance Monitors

Table 2-1. Global Performance Monitoring Control MSRs

MSR Name	MSR Address	Size (bits)	Description
U_MSR_PMON_GLOBAL_CONFIG	0x0C06	32	UBox PMON Global Configuration
U_MSR_PMON_GLOBAL_STATUS	0x0C01	32	UBox PMON Global Status
U_MSR_PMON_GLOBAL_CTL	0x0C00	32	UBox PMON Global Control

2.1.5.1 Global PMON Global Control/Status Registers

The following registers represent state governing all PMUs in the uncore, both to exert global control and collect box-level information.

U_MSR_PMON_GLOBAL_CTL contains a bit that can freeze (*.frz_all*) all the uncore counters.

If an overflow is detected in any of the uncore's PMON registers, it will be summarized in U_MSR_PMON_GLOBAL_STATUS. This register accumulates overflows sent to it from the other uncore boxes. To reset these overflow bits, a user must set the corresponding bits in U_MSR_PMON_GLOBAL_STATUS to 1, which will act to clear them.

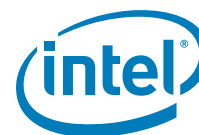


Table 2-2. U_MSR_PMON_GLOBAL_CTL Register - Field Definitions

Field	Bits	Attr	HW Reset Val	Description
frz_all	31	WO	0	Freeze all uncore performance monitors.
wk_on_pmi	30	RW	0	If PMI event requested to send to core... 0 - Send event to cores already woken 1 - Wake any sleeping core and send PMI to all cores.
unfrz_all	29	WO	0	Unfreeze all uncore performance monitors.
rsv	28:27	RV	0	Reserved. SW must write to 0 else behavior is undefined.
rsv	26:15	RV	0	Reserved
pmi_core_sel	14:0	RW	0	PMI Core Select Ex: If counter overflow is sent to UBox... 0000000000000000 - No PMI sent 0000000000000001 - Send PMI to core 0 0000000010000000 - Send PMI to core 6 0000000011000100 - Send PMI to core 2, 5 & 6 etc. NOTE: If wk_on_pmi is set to 1, a wake will be sent to any sleeping core in the mask prior to sending the PMI.



Table 2-3. U_MSR_PMON_GLOBAL_STATUS Register - Field Definitions

Field	Bits	Attr	HW Reset Val	Description
rsv	31:27	RV	0	Reserved
ov_rp	26	RW1C	0	Set if overflow is detected from an R2PC1e PMON register. NOTE: Write of '1' will clear the bit.
ov_rq1	25	RW1C	0	Set if overflow is detected from an R3QP11 PMON register. NOTE: Write of '1' will clear the bit.
ov_rq0	24	RW1C	0	Set if overflow is detected from an R3QP10 PMON register. NOTE: Write of '1' will clear the bit.
ov_q1	23	RW1C	0	Set if overflow is detected from a QP11 PMON register. NOTE: Write of '1' will clear the bit.
ov_q0	22	RW1C	0	Set if overflow is detected from a QP10 PMON register. NOTE: Write of '1' will clear the bit.
ov_m1	21	RW1C	0	Set if overflow is detected from an iMC1 PMON register. NOTE: Write of '1' will clear the bit.
ov_m0	20	RW1C	0	Set if overflow is detected from an iMC0 PMON register. NOTE: Write of '1' will clear the bit.
ov_h1	19	RW1C	0	Set if overflow is detected from an HA1 PMON register. NOTE: Write of '1' will clear the bit.
ov_h0	18	RW1C	0	Set if overflow is detected from an HA0 PMON register. NOTE: Write of '1' will clear the bit.
ov_c[14-0]	17:3	RW1C	0	Set if overflow is detected from a CBo PMON register, 1 bit for each CBo where bit 5 corresponds CBo 0, etc. NOTE: Write of '1' will clear the bit.
ov_p	2	RW1C	0	Set if overflow is detected from a PCU PMON register. NOTE: Write of '1' will clear the bit.
ov_u	1	RW1C	0	Set if overflow is detected from a UBox PMON register. NOTE: Write of '1' will clear the bit.
ov_u_fixed	0	RW1C	0	Set if overflow is detected from UBox fixed PMON register. NOTE: Write of '1' will clear the bit.

Table 2-4. U_MSR_PMON_GLOBAL_CONFIG Register - Field Definitions

Field	Bits	Attr	HW Reset Val	Description
rsv	31:4	RV	0	Reserved
num_c	3:0	RW	8	Number of sets of CBo PMON counters.

2.2 UBOX PERFORMANCE MONITORING

2.2.1 Overview of the UBox

The UBox serves as the system configuration controller within the physical processor.

In this capacity, the UBox acts as the central unit for a variety of functions:



- The master for reading and writing physically distributed registers across physical processor using the Message Channel.
- The UBox is the intermediary for interrupt traffic, receiving interrupts from the system and dispatching interrupts to the appropriate core.
- The UBox serves as the system lock master used when quiescing the platform (e.g., Intel® QPI bus lock).

2.2.2 UBox Performance Monitoring Overview

The UBox supports event monitoring through two programmable 44-bit wide counters (U_MSR_PMON_CTLx{1:0}), and a 48-bit fixed counter which increments each u-clock. Each of these counters can be programmed (U_MSR_PMON_CTL{1:0}) to monitor any UBox event.

For information on how to setup a monitoring session, refer to Section 2.1, “Uncore Per-Socket Performance Monitoring Control”.

2.2.2.1 UBox PMON Registers - On Overflow and the Consequences (PMI/Freeze)

If an overflow is detected from a UBox performance counter and its overflow enable bit (U_MSR_PMON_CTLx.ov_en) has been set to 1, the overflow bit is set at the box level (U_MSR_PMON_BOX_STATUS.ov) and the freeze signal is broadcast to other boxes.

When the global logic in the UBox receives the overflow signal, the U_MSR_PMON_GLOBAL_STATUS.ov_u bit is set (see Table 2-3, “U_MSR_PMON_GLOBAL_STATUS Register – Field Definitions”) and a PMI can be generated.

Once a freeze has occurred, in order to see a new freeze, the overflow responsible for the freeze must be cleared by setting the corresponding bit in U_MSR_PMON_BOX_STATUS.ov and U_MSR_PMON_GLOBAL_STATUS.ov_u to 1. Assuming all the counters have been locally enabled (.en bit in control registers meant to monitor events) and the overflow bit(s) has been cleared, the UBox is prepared for a new sample interval. Once the global controls have been re-enabled (Section 2.1.4, “Enabling a New Sample Interval from Frozen Counters”), counting will resume.

2.2.3 UBox Performance Monitors

MSR Name	MSR Address	Size (bits)	Description
U_MSR_PMON_CTR1	0x0C17	64	U-Box PMON Counter 1
U_MSR_PMON_CTR0	0x0C16	64	U-Box PMON Counter 0
U_MSR_PMON_BOX_STATUS	0x0C15	32	U-Box PMON Box-Wide Status
U_MSR_PMON_CTL1	0x0C11	64	U-Box PMON Control for Counter 1
U_MSR_PMON_CTL0	0x0C10	32	U-Box PMON Control for Counter 0
U_MSR_PMON_UCLK_FIXED_CTR	0x0C09	64	U-Box PMON UCLK Fixed Counter
U_MSR_PMON_UCLK_FIXED_CTL	0x0C08	32	U-Box PMON UCLK Fixed Counter Control



2.2.3.1 UBox Box Level PMON State

The following registers represent the state governing all box-level PMUs in the UBox.

If an overflow is detected from one of the UBox PMON registers, the corresponding bit in the U_MSR_PMON_BOX_STATUS.ov field will be set. To reset these overflow bits, a user must write a value of '1' to them (which will clear the bits).

Table 2-5. U_MSR_PMON_BOX_STATUS Register - Field Definitions

Field	Bits	Attr	HW Reset Val	Description
rsv	31:2	RV	0	Reserved
ov	1:0	RW1C	0	If an overflow is detected from the corresponding UBOX PMON register, it's overflow bit will be set. NOTE: Write of '1' will clear the bit.

2.2.3.2 UBox PMON state - Counter/Control Pairs

The following table defines the layout of the UBox performance monitor control registers. The main task of these configuration registers is to select the event to be monitored by their respective data counter (.ev_sel, .umask). Additional control bits are provided to shape the incoming events (e.g. .edge_det, .thresh) as well as provide additional functionality for monitoring software (.rst).

Table 2-6. U_MSR_PMON_CTL{1-0} Register - Field Definitions

Field	Bits	Attr	HW Reset Val	Description
rsv	31:29	RV	0	Reserved
thresh	28:24	RW	0	Threshold used in counter comparison.
rsv	23	RV	0	Reserved. SW must write to 0 else behavior is undefined.
en	22	RW	0	Local Counter Enable.
rsv	21	RV	0	Reserved. SW must write to 0 else behavior is undefined.
ov_en	20	RW	0	When this bit is set to 1 and the corresponding counter overflows, a the UBox counters exception is sent to the UBox. When this bit is asserted and the corresponding counter overflows, its overflow bit is set in the local status register (U_MSR_PMON_BOX_STATUS.ov) and the global status register U_MSR_PMON_GLOBAL_STATUS.ov_u.
rsv	19	RV	0	Reserved
edge_det	18	RW	0	When set to 1, rather than measuring the event in each cycle it is active, the corresponding counter will increment when a 0 to 1 transition (i.e. rising edge) is detected. When 0, the counter will increment in each cycle that the event is asserted. NOTE: .edge_det is in series following .thresh. Due to this, the .thresh field must be set to a non-0 value. For events that increment by no more than 1 per cycle, set .thresh to 0x1.
rst	17	WO	0	When set to 1, the corresponding counter will be cleared to 0.
rsv	16	RV	0	Reserved. SW must write to 0 else behavior is undefined.



Field	Bits	Attr	HW Reset Val	Description
umask	15:8	RW	0	Select subevents to be counted within the selected event.
ev_sel	7:0	RW	0	Select event to be counted.

The UBox performance monitor data registers are 44-bit wide. A counter overflow occurs when a carry out from bit 43 is detected. Software can force all uncore counting to freeze after N events by preloading a monitor with a count value of $2^{44} - N$ and setting the control register to send an overflow message to the global logic. During the interval of time between overflow and global disable, the counter value will wrap and continue to collect events.

If accessible, software can continuously read the data registers without disabling event collection.

Table 2-7. U_MSR_PMON_CTR{1-0} Register - Field Definitions

Field	Bits	Attr	HW Reset Val	Description
rsv	63:44	RV	0	Reserved
event_count	43:0	RW-V	0	44-bit performance event counter

The Global UBox PMON registers also include a fixed counter that increments at UCLK for each cycle it is enabled.

Table 2-8. U_MSR_PMON_FIXED_CTL Register - Field Definitions

Field	Bits	Attr	HW Reset Val	Description
rsv	31:23	RV	0	Reserved
en	22	RW-V	0	Local Counter Enable
rsv	21	RV	0	Reserved. SW must write to 0 else behavior is undefined.
ov_en	20	RW-V	0	When this bit is set to 1 and the corresponding counter overflows, a the UBox counters exception is sent to the UBox. When this bit is asserted and the corresponding counter overflows, its overflow bit is set in the local status register (U_MSR_PMON_BOX_STATUS.ov) and the global status register U_MSR_PMON_GLOBAL_STATUS.ov_u_fixed.
rsv	19:0	RV	0	Reserved

Table 2-9. U_MSR_PMON_FIXED_CTR Register - Field Definitions

Field	Bits	Attr	HW Reset Val	Description
rsv	63:44	RV	0	Reserved
event_count	43:0	RW-V	0	48-bit performance event counter



2.2.4 UBOX Box Events Ordered By Code

The following table summarizes the directly measured UBOX Box events.

Symbol Name	Event Code	Ctrs	Extra Select Bit	Max Inc/Cyc	Description
EVENT_MSG	0x42	0-1	0	1	VLW Received
LOCK_CYCLES	0x44	0-1	0	1	IDI Lock/SplitLock Cycles
PHOLD_CYCLES	0x45	0-1	0	1	Cycles PHOLD Assert to Ack
RACU_REQUESTS	0x46	0-1	0	1	RACU Request

2.2.5 UBOX Box Performance Monitor Event List

The section enumerates performance monitoring events for the UBOX Box.

EVENT_MSG

- **Title:** VLW Received
- **Category:** EVENT_MSG Events
- **Event Code:** 0x42
- Max. Inc/Cyc: . 1, **Register Restrictions:** 0-1
- **Definition:** Virtual Logical Wire (legacy) message were received from Uncore. Specify the thread to filter on using NCUPMONCTRLGLCTR.ThreadID.

Table 2-10. Unit Masks for EVENT_MSG

Extension	umask [15:8]	Description
VLW_RCVD	bxxxxxxx1	
MSI_RCVD	bxxxxxx1x	
IPI_RCVD	bxxxxx1xx	
DOORBELL_RCVD	bxxxx1xxx	
INT_PRI0	bxxx1xxxx	

LOCK_CYCLES

- **Title:** IDI Lock/SplitLock Cycles
- **Category:** LOCK Events
- **Event Code:** 0x44
- Max. Inc/Cyc: . 1, **Register Restrictions:** 0-1
- **Definition:** Number of times an IDI Lock/SplitLock sequence was started.

PHOLD_CYCLES

- **Title:** Cycles PHOLD Assert to Ack
- **Category:** PHOLD Events
- **Event Code:** 0x45
- Max. Inc/Cyc: . 1, **Register Restrictions:** 0-1
- **Definition:** PHOLD cycles. Filter from source CoreID.



Table 2-11. Unit Masks for PHOLD_CYCLES

Extension	umask [15:8]	Description
ASSERT_TO_ACK	bxxxxxxx1	Assert to ACK

RACU_REQUESTS

- **Title:** RACU Request
- **Category:** RACU Events
- **Event Code:** 0x46
- Max. Inc/Cyc.: 1, **Register Restrictions:** 0-1
- **Definition:**
- **NOTE:** This will be dropped because PHOLD is not implemented this way.

2.3 CACHEING AGENT (CBO) PERFORMANCE MONITORING

2.3.1 Overview of the CBo

The LLC coherence engine (CBo) manages the interface between the core and the last level cache (LLC). All core transactions that access the LLC are directed from the core to a CBo via the ring interconnect. The CBo is responsible for managing data delivery from the LLC to the requesting core. It is also responsible for maintaining coherence between the cores within the socket that share the LLC; generating snoops and collecting snoop responses from the local cores when the MESIF protocol requires it.

So, if the CBo fielding the core request indicates that a core within the socket owns the line (for a coherent read), the request is snooped to that local core. That same CBo will then snoop all peers which might have the address cached (other cores, remote sockets, etc) and send the request to the appropriate Home Agent for conflict checking, memory requests and writebacks.

In the process of maintaining cache coherency within the socket, the CBo is the gate keeper for all Intel® QuickPath Interconnect (Intel® QPI) messages that originate in the core and is responsible for ensuring that all Intel® QPI messages that pass through the socket's LLC remain coherent.

The CBo manages local conflicts by ensuring that only one request is issued to the system for a specific cacheline.

The uncore of Intel Xeon Processors based on the Ivy Bridge-EP microarchitecture contains multiple instances of the CBo, each assigned to manage a distinct 2.5MB slice of the processor's total LLC capacity. A slice that can be up to 20-way set associative. For processors with fewer than fully populated 2.5MB LLC slices, the CBo Boxes or missing slices will still be active and track ring traffic caused by their co-located core even if they have no LLC related traffic to track (i.e. hits/misses/snoops).

Every physical memory address in the system is uniquely associated with a single CBo instance via a proprietary hashing algorithm that is designed to keep the distribution of traffic across the CBo instances relatively uniform for a wide range of possible address patterns. This enables the individual CBo instances to operate independently, each managing its slice of the physical address space without any CBo in a given socket ever needing to communicate with the other CBo's in that same socket.



2.3.2 CBo Performance Monitoring Overview

Each of the CBoS in the uncore supports event monitoring through four 44-bit wide counters (Cn_MSR_PMON_CTR{3:0}). Event programming in the CBo is restricted such that each events can only be measured in certain counters within the CBo. For example, counter 0 is dedicated to occupancy events. No other counter may be used to capture occupancy events.

CBo counter 0 can increment by a maximum of 20 per cycle; counters 1-3 can increment by 1 per cycle.

Some uncore performance events that monitor transaction activities require additional details that must be programmed in a filter register. Each Cbo provides two filter registers and allows only one such event to be programmed at a given time, see Section 2.3.3.3.

For information on how to setup a monitoring session, refer to Section 2.1, “Uncore Per-Socket Performance Monitoring Control”.

2.3.2.1 Special Note on CBo Occupancy Events

Although only counter 0 supports occupancy events, it is possible to program counters 1-3 to monitor the same occupancy event by selecting the “OCCUPANCY_COUNTER0” event code on counters 1-3.

This allows:

Thresholding

2.3.3 CBo Performance Monitors

Table 2-12. CBo Performance Monitoring MSRs

MSR Name	MSR Address	Size (bits)	Description
CBo 0 PMON Registers			
Generic Counters			
CO_MSR_PMON_CTR3	0x0D19	64	CBo 0 PMON Counter 3
CO_MSR_PMON_CTR2	0x0D18	64	CBo 0 PMON Counter 2
CO_MSR_PMON_CTR1	0x0D17	64	CBo 0 PMON Counter 1
CO_MSR_PMON_CTR0	0x0D16	64	CBo 0 PMON Counter 0
Box-Level Filter			
CO_MSR_PMON_BOX_FILTER	0x0D14	32	CBo 0 PMON Filter
CO_MSR_PMON_BOX_FILTER1	0x0D1A	32	CBo 0 PMON Filter1
Generic Counter Control			
CO_MSR_PMON_CTL3	0x0D13	32	CBo 0 PMON Control for Counter 3
CO_MSR_PMON_CTL2	0x0D12	32	CBo 0 PMON Control for Counter 2
CO_MSR_PMON_CTL1	0x0D11	32	CBo 0 PMON Control for Counter 1
CO_MSR_PMON_CTL0	0x0D10	32	CBo 0 PMON Control for Counter 0
Box-Level Control/Status			
CO_MSR_PMON_BOX_CTL	0x0D04	32	CBo 0 PMON Box-Wide Control
CBo 1 PMON Registers			
Generic Counters			
C1_MSR_PMON_CTR3	0x0D39	64	CBo 1 PMON Counter 3
C1_MSR_PMON_CTR2	0x0D38	64	CBo 1 PMON Counter 2



MSR Name	MSR Address	Size (bits)	Description
C1_MSR_PMON_CTR1	0x0D37	64	CBo 1 PMON Counter 1
C1_MSR_PMON_CTR0	0x0D36	64	CBo 1 PMON Counter 0
Box-Level Filter			
C1_MSR_PMON_BOX_FILTER	0x0D34	32	CBo 1 PMON Filter
C1_MSR_PMON_BOX_FILTER1	0x0D3A	32	CBo 1 PMON Filter1
Generic Counter Control			
C1_MSR_PMON_CTL3	0x0D33	32	CBo 1 PMON Control for Counter 3
C1_MSR_PMON_CTL2	0x0D32	32	CBo 1 PMON Control for Counter 2
C1_MSR_PMON_CTL1	0x0D31	32	CBo 1 PMON Control for Counter 1
C1_MSR_PMON_CTL0	0x0D30	32	CBo 1 PMON Control for Counter 0
Box-Level Control/Status			
C1_MSR_PMON_BOX_CTL	0x0D24	32	CBo 1 PMON Box-Wide Control
CBo 2 PMON Registers			
Generic Counters			
C2_MSR_PMON_CTR3	0x0D59	64	CBo 2 PMON Counter 3
C2_MSR_PMON_CTR2	0x0D58	64	CBo 2 PMON Counter 2
C2_MSR_PMON_CTR1	0x0D57	64	CBo 2 PMON Counter 1
C2_MSR_PMON_CTR0	0x0D56	64	CBo 2 PMON Counter 0
Box-Level Filter			
C2_MSR_PMON_BOX_FILTER	0x0D54	32	CBo 2 PMON Filter
C2_MSR_PMON_BOX_FILTER1	0x0D5A	32	CBo 2 PMON Filter1
Generic Counter Control			
C2_MSR_PMON_CTL3	0x0D53	32	CBo 2 PMON Control for Counter 3
C2_MSR_PMON_CTL2	0x0D52	32	CBo 2 PMON Control for Counter 2
C2_MSR_PMON_CTL1	0x0D51	32	CBo 2 PMON Control for Counter 1
C2_MSR_PMON_CTL0	0x0D50	32	CBo 2 PMON Control for Counter 0
Box-Level Control/Status			
C2_MSR_PMON_BOX_CTL	0x0D44	32	CBo 2 PMON Box-Wide Control
CBo 3 PMON Registers			
Generic Counters			
C3_MSR_PMON_CTR3	0x0D79	64	CBo 3 PMON Counter 3
C3_MSR_PMON_CTR2	0x0D78	64	CBo 3 PMON Counter 2
C3_MSR_PMON_CTR1	0x0D77	64	CBo 3 PMON Counter 1
C3_MSR_PMON_CTR0	0x0D76	64	CBo 3 PMON Counter 0
Box-Level Filter			
C3_MSR_PMON_BOX_FILTER	0x0D74	32	CBo 3 PMON Filter
C3_MSR_PMON_BOX_FILTER1	0x0D7A	32	CBo 3 PMON Filter1
Generic Counter Control			
C3_MSR_PMON_CTL3	0x0D73	32	CBo 3 PMON Control for Counter 3
C3_MSR_PMON_CTL2	0x0D72	32	CBo 3 PMON Control for Counter 2



MSR Name	MSR Address	Size (bits)	Description
C3_MSR_PMON_CTL1	0x0D71	32	CBo 3 PMON Control for Counter 1
C3_MSR_PMON_CTL0	0x0D70	32	CBo 3 PMON Control for Counter 0
Box-Level Control/Status			
C3_MSR_PMON_BOX_CTL	0x0D64	32	CBo 3 PMON Box-Wide Control
CBo 4 PMON Registers			
Generic Counters			
C4_MSR_PMON_CTR3	0x0D99	64	CBo 4 PMON Counter 3
C4_MSR_PMON_CTR2	0x0D98	64	CBo 4 PMON Counter 2
C4_MSR_PMON_CTR1	0x0D97	64	CBo 4 PMON Counter 1
C4_MSR_PMON_CTR0	0x0D96	64	CBo 4 PMON Counter 0
Box-Level Filter			
C4_MSR_PMON_BOX_FILTER	0x0D94	32	CBo 4 PMON Filter
C4_MSR_PMON_BOX_FILTER1	0x0D9A	32	CBo 4 PMON Filter1
Generic Counter Control			
C4_MSR_PMON_CTL3	0x0D93	32	CBo 4 PMON Control for Counter 3
C4_MSR_PMON_CTL2	0x0D92	32	CBo 4 PMON Control for Counter 2
C4_MSR_PMON_CTL1	0x0D91	32	CBo 4 PMON Control for Counter 1
C4_MSR_PMON_CTL0	0x0D90	32	CBo 4 PMON Control for Counter 0
Box-Level Control/Status			
C4_MSR_PMON_BOX_CTL	0x0D84	32	CBo 4 PMON Box-Wide Control
CBo 5 PMON Registers			
Generic Counters			
C5_MSR_PMON_CTR3	0x0DB9	64	CBo 5 PMON Counter 3
C5_MSR_PMON_CTR2	0x0DB8	64	CBo 5 PMON Counter 2
C5_MSR_PMON_CTR1	0x0DB7	64	CBo 5 PMON Counter 1
C5_MSR_PMON_CTR0	0x0DB6	64	CBo 5 PMON Counter 0
Box-Level Filter			
C5_MSR_PMON_BOX_FILTER	0x0DB4	32	CBo 5 PMON Filter
C5_MSR_PMON_BOX_FILTER1	0x0DBA	32	CBo 5 PMON Filter1
Generic Counter Control			
C5_MSR_PMON_CTL3	0x0DB3	32	CBo 5 PMON Control for Counter 3
C5_MSR_PMON_CTL2	0x0DB2	32	CBo 5 PMON Control for Counter 2
C5_MSR_PMON_CTL1	0x0DB1	32	CBo 5 PMON Control for Counter 1
C5_MSR_PMON_CTL0	0x0DB0	32	CBo 5 PMON Control for Counter 0
Box-Level Control/Status			
C5_MSR_PMON_BOX_CTL	0x0DA4	32	CBo 5 PMON Box-Wide Control
CBo 6 PMON Registers			
Generic Counters			
C6_MSR_PMON_CTR3	0x0DD9	64	CBo 6 PMON Counter 3



MSR Name	MSR Address	Size (bits)	Description
C6_MSR_PMON_CTR2	0x0DD8	64	CBo 6 PMON Counter 2
C6_MSR_PMON_CTR1	0x0DD7	64	CBo 6 PMON Counter 1
C6_MSR_PMON_CTR0	0x0DD6	64	CBo 6 PMON Counter 0
Box-Level Filter			
C6_MSR_PMON_BOX_FILTER	0x0DD4	32	CBo 6 PMON Filter
C6_MSR_PMON_BOX_FILTER1	0x0DDA	32	CBo 6 PMON Filter1
Generic Counter Control			
C6_MSR_PMON_CTL3	0x0DD3	32	CBo 6 PMON Control for Counter 3
C6_MSR_PMON_CTL2	0x0DD2	32	CBo 6 PMON Control for Counter 2
C6_MSR_PMON_CTL1	0x0DD1	32	CBo 6 PMON Control for Counter 1
C6_MSR_PMON_CTL0	0x0DD0	32	CBo 6 PMON Control for Counter 0
Box-Level Control/Status			
C6_MSR_PMON_BOX_CTL	0x0DC4	32	CBo 6 PMON Box-Wide Control
CBo 7 PMON Registers			
Generic Counters			
C7_MSR_PMON_CTR3	0x0DF9	64	CBo 7 PMON Counter 3
C7_MSR_PMON_CTR2	0x0DF8	64	CBo 7 PMON Counter 2
C7_MSR_PMON_CTR1	0x0DF7	64	CBo 7 PMON Counter 1
C7_MSR_PMON_CTR0	0x0DF6	64	CBo 7 PMON Counter 0
Box-Level Filter			
C7_MSR_PMON_BOX_FILTER	0x0DF4	32	CBo 7 PMON Filter
C7_MSR_PMON_BOX_FILTER1	0x0DFA	32	CBo 7 PMON Filter1
Generic Counter Control			
C7_MSR_PMON_CTL3	0x0DF3	32	CBo 7 PMON Control for Counter 3
C7_MSR_PMON_CTL2	0x0DF2	32	CBo 7 PMON Control for Counter 2
C7_MSR_PMON_CTL1	0x0DF1	32	CBo 7 PMON Control for Counter 1
C7_MSR_PMON_CTL0	0x0DF0	32	CBo 7 PMON Control for Counter 0
Box-Level Control/Status			
C7_MSR_PMON_BOX_CTL	0x0DE4	32	CBo 7 PMON Box-Wide Control
CBo 8 PMON Registers			
Generic Counters			
C8_MSR_PMON_CTR3	0x0E19	64	CBo 8 PMON Counter 3
C8_MSR_PMON_CTR2	0x0E18	64	CBo 8 PMON Counter 2
C8_MSR_PMON_CTR1	0x0E17	64	CBo 8 PMON Counter 1
C8_MSR_PMON_CTR0	0x0E16	64	CBo 8 PMON Counter 0
Box-Level Filter			
C8_MSR_PMON_BOX_FILTER	0x0E14	32	CBo 8 PMON Filter
C8_MSR_PMON_BOX_FILTER1	0x0E1A	32	CBo 8 PMON Filter1
Generic Counter Control			
C8_MSR_PMON_CTL3	0x0E13	32	CBo 8 PMON Control for Counter 3



MSR Name	MSR Address	Size (bits)	Description
C8_MSR_PMON_CTL2	0x0E12	32	CBo 8 PMON Control for Counter 2
C8_MSR_PMON_CTL1	0x0E11	32	CBo 8 PMON Control for Counter 1
C8_MSR_PMON_CTL0	0x0E10	32	CBo 8 PMON Control for Counter 0
Box-Level Control/Status			
C8_MSR_PMON_BOX_CTL	0x0E04	32	CBo 8 PMON Box-Wide Control
CBo 9 PMON Registers			
Generic Counters			
C9_MSR_PMON_CTR3	0x0E39	64	CBo 9 PMON Counter 3
C9_MSR_PMON_CTR2	0x0E38	64	CBo 9 PMON Counter 2
C9_MSR_PMON_CTR1	0x0E37	64	CBo 9 PMON Counter 1
C9_MSR_PMON_CTR0	0x0E36	64	CBo 9 PMON Counter 0
Box-Level Filter			
C9_MSR_PMON_BOX_FILTER	0x0E34	32	CBo 9 PMON Filter
C9_MSR_PMON_BOX_FILTER1	0x0E3A	32	CBo 9 PMON Filter1
Generic Counter Control			
C9_MSR_PMON_CTL3	0x0E33	32	CBo 9 PMON Control for Counter 3
C9_MSR_PMON_CTL2	0x0E32	32	CBo 9 PMON Control for Counter 2
C9_MSR_PMON_CTL1	0x0E31	32	CBo 9 PMON Control for Counter 1
C9_MSR_PMON_CTL0	0x0E30	32	CBo 9 PMON Control for Counter 0
Box-Level Control/Status			
C9_MSR_PMON_BOX_CTL	0x0E24	32	CBo 9 PMON Box-Wide Control
CBo 10 PMON Registers			
Generic Counters			
C10_MSR_PMON_CTR3	0x0E59	64	CBo 10 PMON Counter 3
C10_MSR_PMON_CTR2	0x0E58	64	CBo 10 PMON Counter 2
C10_MSR_PMON_CTR1	0x0E57	64	CBo 10 PMON Counter 1
C10_MSR_PMON_CTR0	0x0E56	64	CBo 10 PMON Counter 0
Box-Level Filter			
C10_MSR_PMON_BOX_FILTER	0x0E54	32	CBo 10 PMON Filter
C10_MSR_PMON_BOX_FILTER1	0x0E5A	32	CBo 10 PMON Filter1
Generic Counter Control			
C10_MSR_PMON_CTL3	0x0E53	32	CBo 10 PMON Control for Counter 3
C10_MSR_PMON_CTL2	0x0E52	32	CBo 10 PMON Control for Counter 2
C10_MSR_PMON_CTL1	0x0E51	32	CBo 10 PMON Control for Counter 1
C10_MSR_PMON_CTL0	0x0E50	32	CBo 10 PMON Control for Counter 0
Box-Level Control/Status			
C10_MSR_PMON_BOX_CTL	0x0E44	32	CBo 10 PMON Box-Wide Control
CBo 11 PMON Registers			
Generic Counters			



MSR Name	MSR Address	Size (bits)	Description
C11_MSR_PMON_CTR3	0x0E79	64	CBo 11 PMON Counter 3
C11_MSR_PMON_CTR2	0x0E78	64	CBo 11 PMON Counter 2
C11_MSR_PMON_CTR1	0x0E77	64	CBo 11 PMON Counter 1
C11_MSR_PMON_CTR0	0x0E76	64	CBo 11 PMON Counter 0
Box-Level Filter			
C11_MSR_PMON_BOX_FILTER	0x0E74	32	CBo 11 PMON Filter
C11_MSR_PMON_BOX_FILTER1	0x0E7A	32	CBo 11 PMON Filter1
Generic Counter Control			
C11_MSR_PMON_CTL3	0x0E73	32	CBo 11 PMON Control for Counter 3
C11_MSR_PMON_CTL2	0x0E72	32	CBo 11 PMON Control for Counter 2
C11_MSR_PMON_CTL1	0x0E71	32	CBo 11 PMON Control for Counter 1
C11_MSR_PMON_CTL0	0x0E70	32	CBo 11 PMON Control for Counter 0
Box-Level Control/Status			
C11_MSR_PMON_BOX_CTL	0x0E64	32	CBo 11 PMON Box-Wide Control
CBo 12 PMON Registers			
Generic Counters			
C12_MSR_PMON_CTR3	0x0E99	64	CBo 12 PMON Counter 3
C12_MSR_PMON_CTR2	0x0E98	64	CBo 12 PMON Counter 2
C12_MSR_PMON_CTR1	0x0E97	64	CBo 12 PMON Counter 1
C12_MSR_PMON_CTR0	0x0E96	64	CBo 12 PMON Counter 0
Box-Level Filter			
C12_MSR_PMON_BOX_FILTER	0x0E94	32	CBo 12 PMON Filter
C12_MSR_PMON_BOX_FILTER1	0x0E9A	32	CBo 12 PMON Filter1
Generic Counter Control			
C12_MSR_PMON_CTL3	0x0E93	32	CBo 12 PMON Control for Counter 3
C12_MSR_PMON_CTL2	0x0E92	32	CBo 12 PMON Control for Counter 2
C12_MSR_PMON_CTL1	0x0E91	32	CBo 12 PMON Control for Counter 1
C12_MSR_PMON_CTL0	0x0E90	32	CBo 12 PMON Control for Counter 0
Box-Level Control/Status			
C12_MSR_PMON_BOX_CTL	0x0E84	32	CBo 12 PMON Box-Wide Control
CBo 13 PMON Registers			
Generic Counters			
C13_MSR_PMON_CTR3	0x0EB9	64	CBo 13 PMON Counter 3
C13_MSR_PMON_CTR2	0x0EB8	64	CBo 13 PMON Counter 2
C13_MSR_PMON_CTR1	0x0EB7	64	CBo 13 PMON Counter 1
C13_MSR_PMON_CTR0	0x0EB6	64	CBo 13 PMON Counter 0
Box-Level Filter			
C13_MSR_PMON_BOX_FILTER	0x0EB4	32	CBo 13 PMON Filter
C13_MSR_PMON_BOX_FILTER1	0x0EBA	32	CBo 13 PMON Filter1
Generic Counter Control			



MSR Name	MSR Address	Size (bits)	Description
C13_MSR_PMON_CTL3	0x0EB3	32	CBo 13 PMON Control for Counter 3
C13_MSR_PMON_CTL2	0x0EB2	32	CBo 13 PMON Control for Counter 2
C13_MSR_PMON_CTL1	0x0EB1	32	CBo 13 PMON Control for Counter 1
C13_MSR_PMON_CTL0	0x0EB0	32	CBo 13 PMON Control for Counter 0
Box-Level Control/Status			
C13_MSR_PMON_BOX_CTL	0x0EA4	32	CBo 13 PMON Box-Wide Control
CBo 14 PMON Registers			
Generic Counters			
C14_MSR_PMON_CTR3	0x0ED9	64	CBo 14 PMON Counter 3
C14_MSR_PMON_CTR2	0x0ED8	64	CBo 14 PMON Counter 2
C14_MSR_PMON_CTR1	0x0ED7	64	CBo 14 PMON Counter 1
C14_MSR_PMON_CTR0	0x0ED6	64	CBo 14 PMON Counter 0
Box-Level Filter			
C14_MSR_PMON_BOX_FILTER	0x0ED4	32	CBo 14 PMON Filter
C14_MSR_PMON_BOX_FILTER1	0x0EDA	32	CBo 14 PMON Filter1
Generic Counter Control			
C14_MSR_PMON_CTL3	0x0ED3	32	CBo 14 PMON Control for Counter 3
C14_MSR_PMON_CTL2	0x0ED2	32	CBo 14 PMON Control for Counter 2
C14_MSR_PMON_CTL1	0x0ED1	32	CBo 14 PMON Control for Counter 1
C14_MSR_PMON_CTL0	0x0ED0	32	CBo 14 PMON Control for Counter 0
Box-Level Control/Status			
C14_MSR_PMON_BOX_CTL	0x0EC4	32	CBo 14 PMON Box-Wide Control

2.3.3.1 CBo Box Level PMON State

The following registers represent the state governing all box-level PMUs in the CBo.

In the case of the CBo, the Cn_MSR_PMON_BOX_CTL register provides the ability to manually freeze the counters in the box (*.frz*) and reset the generic state (*.rst_ctrs* and *.rst_ctrl*).



Table 2-13. Cn_MSR_PMON_BOX_CTL Register - Field Definitions

Field	Bits	Attr	HW Reset Val	Description
rsv	31:18	RV	0	Reserved
rsv	17:16	RV	0	Reserved; SW must write to 1 else behavior is undefined.
rsv	15:9	RV	0	Reserved
frz	8	WO	0	Freeze. If set to 1 the counters in this box will be frozen.
rsv	7:2	RV	0	Reserved
rst_ctrs	1	WO	0	Reset Counters. When set to 1, the Counter Registers will be reset to 0.
rst_ctrl	0	WO	0	Reset Control. When set to 1, the Counter Control Registers will be reset to 0.

2.3.3.2 CBo PMON state - Counter/Control Pairs

The following table defines the layout of the CBo performance monitor control registers. The main task of these configuration registers is to select the event to be monitored by their respective data counter (*.ev_sel*, *.umask*). Additional control bits are provided to shape the incoming events (e.g. *.edge_det*, *.thresh*) as well as provide additional functionality for monitoring software (*.rst*).

Table 2-14. Cn_MSR_PMON_CTL{3-0} Register - Field Definitions

Field	Bits	Attr	HW Reset Val	Description
thresh	31:24	RW-V	0	Threshold used in counter comparison.
rsv	23	RV	0	Reserved; SW must write to 0 else behavior is undefined.
en	22	RW-V	0	Local Counter Enable.
rsv	21:20	RV	0	Reserved; SW must write to 0 else behavior is undefined.
tid_en	19	RW-V	0	TID Filter Enable
edge_det	18	RW-V	0	When set to 1, rather than measuring the event in each cycle it is active, the corresponding counter will increment when a 0 to 1 transition (i.e. rising edge) is detected. When 0, the counter will increment in each cycle that the event is asserted. NOTE: <i>.edge_det</i> is in series following <i>.thresh</i> . Due to this, the <i>.thresh</i> field must be set to a non-0 value. For events that increment by no more than 1 per cycle, set <i>.thresh</i> to 0x1.
rst	17	WO	0	When set to 1, the corresponding counter will be cleared to 0.
rsv	16	RV	0	Reserved. SW must write to 0 else behavior is undefined.
umask	15:8	RW-V	0	Select subevents to be counted within the selected event.
ev_sel	7:0	RW-V	0	Select event to be counted.

The CBo performance monitor data registers are 44b wide. A counter overflow occurs when a carry out from bit 43 is detected. Software can force all uncore counting to freeze after N events by preloading a monitor with a count value of $2^{44} - N$ and setting the control register to send an overflow



message to the UBox (refer to Section 2.1.1, “Counter Overflow”). During the interval of time between overflow and global disable, the counter value will wrap and continue to collect events.

If accessible, software can continuously read the data registers without disabling event collection.

Table 2-15. Cn_MSR_PMON_CTR{3-0} Register - Field Definitions

Field	Bits	Attr	HW Reset Val	Description
rsv	63:44	RV	0	Reserved
event_count	43:0	RW-V	0	44-bit performance event counter

2.3.3.3 CBo Filter Registers (Cn_MSR_PMON_BOX_FILTER{0,1})

In addition to generic event counting, each CBo provides a pair of FILTER registers that allow a user to filter various traffic as it applies to specific events (see Event Section for more information).

LLC_LOOKUP may be filtered by the cacheline state, while TOR_INSERTS and TOR_OCCUPANCY may be filtered by the opcode of the queued request as well as the corresponding NodeID.

Any of the CBo events may be filtered by Thread/Core-ID. To do so, the control register's *.tid_en* bit must be set to 1 and the tid field in the FILTER register filled out.

NOTE

Only one of these filtering criteria may be applied at a time.

Table 2-16. Cn_MSR_PMON_BOX_FILTER Register - Field Definitions

Field	Bits	Attr	HW Reset Val	Description
rsv	31:23	RV	0	Reserved. SW must set to 0 else behavior is undefined
state	22:17	RW	0	Select state to monitor for LLC_LOOKUP event. Setting multiple bits in this field will allow a user to track multiple states. b1x1xxx - 'M' state. bx1xxxx - 'F' state. bxx1xxx - 'M' state bxxx1xx - 'E' state. bxxxx1x - 'S' state. bxxxxx1 - 'I' state.
rsv	16:5	RV	0	Reserved. SW must set to 0 else behavior is undefined
tid	4:0	0	0	[4] Non-thread related data [3:1] Core-ID [0] Thread 1/0 When <i>.tid_en</i> is 0; the specified counter will count ALL events Thread-ID 0x1F is reserved for non-associated requests such as: - LLC victims - PMSeq - External Snoops



Table 2-17. Cn_MSR_PMON_BOX_FILTER1 Register - Field Definitions

Field	Bits	Attr	HW Reset Val	Description
isoc	31	RW	0	Match on ISOC Requests
nc	30	RW	0	Match on Non-Coherent Requests
rsv	29	RV	0	Reserved. SW must write 0 else behavior is undefined.
opc (7b IDI Opcode w/top 2b 0x3)	28:20	RW	0	Match on Opcode (see Table 2-18, "Opcode Match by IDI Packet Type for Cn_MSR_PMON_BOX_FILTER.opc") NOTE: Only tracks opcodes that come from the IRQ. It is not possible to track snoops (from IPQ) or other transactions from the ISMQ.
rsv	19:15	RV	0	Reserved
nid	15:0	RW	0	Match on Target NodeID

Refer to Table 2-218, "Opcodes (Alphabetical Listing)" for definitions of the opcodes found in the following table.

Table 2-18. Opcode Match by IDI Packet Type for Cn_MSR_PMON_BOX_FILTER.opc

opc Value	Opcode	Defn
0x180	RFO	Demand Data RFO - Read for Ownership requests from core for lines to be cached in E
0x181	CRd	Demand Code Read - Full cache-line read requests from core for lines to be cached in S, typically for code
0x182	DRd	Demand Data Read - Full cache-line read requests from core for lines to be cached in S or E, typically for data
0x187	PRd	Partial Reads (UC) - Partial read requests of 0-32B (IIO can be up to 64B). Uncacheable.
0x18C	WCILF	Streaming Store - Full - Write invalidate for full cache line of write combining stores
0x18D	WCIL	Streaming Store - Partial - Write invalidate for partial cache line of write combining stores
0x190	PrefRFO	Prefetch RFO into LLC but don't pass to L2. Includes Hints
0x191	PrefCode	Prefetch Code into LLC but don't pass to L2. Includes Hints
0x192	PrefData	Prefetch Data into LLC but don't pass to L2. Includes Hints
0x193	PCIWiL	PCIe Write (full - non-allocating) - Partial line MMIO write transactions from IIO (P2P). Not used for coherent transactions. Uncacheable.
0x194	PCIWiLF	PCIe Write (partial - non-allocating) - Full line MMIO write transactions from IIO (P2P). Not used for coherent transactions. Uncacheable
0x19C	PCIItom	PCIe Write (allocating) - Similar to ItoM - requests exclusive ownership but does not require data read and IIO does not guarantee it will modify line



opc Value	Opcode	Defn
0x19D	PCIWrUpdate	PCIe Write Update (prior generation uncore in Intel® Xeon® processor E5-2600 Product Family) - see PCIRMW, except does not return data back to IIO from ownership read request.
0x19E	PCIRdCur	PCIe read current - Read Current requests from IIO. Used to read data without changing state.
0x19E	PCIRMW	PCIe Read-Modify-Write (prior generation uncore in Intel Xeon processor E5-2600 Product Family) - Read-Modify-Write request from IIO. Uncore gains ownership and return latest data followed by full line writeback from IIO == atomic flow. After transaction, LLC state is M.
0x1C4	WbMtoI	Request writeback Modified invalidate line - Evict full M-state cache line from core. Guarantees core has no cached copies.
0x1C5	WbMtoE	Request writeback Modified set to Exclusive - Evict full M-state cache line from core.
0x1C8	ItoM	Request Invalidate Line - Request Exclusive Ownership of cache line
0x1E4	PCINSRd	PCIe Non-Snoop Read - Non-snoop read requests of full cache lines from IIO. (SW must guarantee coherency)
0x1E5	PCINSWr	PCIe Non-Snoop Write (partial) - Non-snoop write requests of partial cache lines from IIO. Always uncacheable.
0x1E6	PCINSWrF	PCIe Non-Snoop Write (full) - Non-snoop write requests of full cache lines from IIO. Always uncacheable.

2.3.4 CBo Performance Monitoring Events

2.3.4.1 An Overview:

The performance monitoring events within the CBo include all events internal to the LLC as well as events which track ring related activity at the CBo/Core ring stops.

CBo performance monitoring events can be used to track LLC access rates, LLC hit/miss rates, LLC eviction and fill rates, and to detect evidence of back pressure on the LLC pipelines. In addition, the CBo has performance monitoring events for tracking MESI state transitions that occur as a result of data sharing across sockets in a multi-socket system. And finally, there are events in the CBo for tracking ring traffic at the CBo/Core sink inject points.

Every event in the CBo is from the point of view of the LLC and is not associated with any specific core since all cores in the socket send their LLC transactions to all CBo instances in the socket. However, the CBo provides a thread-id field in the Cn_MSR_PMON_BOX_FILTER register which can be applied to the CBo events to obtain the interactions between specific cores and threads.

There are separate sets of counters for each CBo instance. For any event, to get an aggregate count of that event for the entire LLC, the counts across the CBo instances must be added together. The counts can be averaged across the CBo instances to get a view of the typical count of an event from the perspective of the individual CBo instances. Individual per-CBo deviations from the average can be used to identify hot-spotting across the CBo instances or other evidences of non-uniformity in LLC behavior across the CBo instances. Such hot-spotting should be rare, though a repetitive polling on a fixed physical address is one obvious example of a case where an analysis of the deviations across the CBo instances would indicate hot-spotting.



2.3.4.2 Acronyms frequently used in CBo Events:

The Rings:

AD (Address) Ring - Core Read/Write Requests and Intel QPI Snoops. Carries Intel QPI requests and snoop responses from C to QPI.

BL (Block or Data) Ring - Data == 2 transfers for 1 cache line

AK (Acknowledge) Ring - Acknowledges QPI to CBo and CBo to Core. Carries snoop responses from Core to CBo.

IV (Invalidate) Ring - CBo Snoop requests of core caches

Internal CBo Queues:

IRQ - Ingress Request Queue on AD Ring. Associated with requests from core.

IPO - Ingress Probe Queue on AD Ring. Associated with snoops from QPI LL.

ISMQ - Ingress Subsequent Messages (response queue). Associated with messages responses to ingress requests (e.g. data responses, QPI complete messages, core snoop response messages and GO reset queue).

TOR - Table Of Requests. Tracks pending CBo transactions.

QPI_IGR - QPI credits for AD or BL ring. Credits to access the QPI are necessary to broadcast snoops.

RxR (aka IGR) /TxR (aka EGR) - Ingress (requests from the Cores) and Egress (requests headed for the Ring) queues

2.3.4.3 The Queues:

There are several internal occupancy queue counters, each of which is 5bits wide and dedicated to its queue: IRQ, IPO, ISMQ, QPI_IGR, IGR, EGR and the TOR.

2.3.5 CBO Box Events Ordered By Code

The following table summarizes the directly measured CBO Box events.

Symbol Name	Event Code	Ctrs	Max Inc/ Cyc	Description
CLOCKTICKS	0x00	0-3	1	Uncore Clocks
TxR_INSERTS	0x02	0-1	1	Egress Allocations
TxR_ADS_USED	0x04	0-1	1	
RING_BOUNCES	0x05	0-1	1	Number of LLC responses that bounced on the Ring.
RING_SRC_THRTL	0x07	0-1	1	
RxR_OCCUPANCY	0x11	0	20	Ingress Occupancy
RxR_EXT_STARVED	0x12	0-1	1	Ingress Arbiter Blocking Cycles
RxR_INSERTS	0x13	0-1	1	Ingress Allocations
RING_AD_USED	0x1b	2-3	1	AD Ring In Use
RING_AK_USED	0x1c	2-3	1	AK Ring In Use
RING_BL_USED	0x1d	2-3	1	BL Ring in Use
RING_IV_USED	0x1e	2-3	1	IV Ring in Use



Symbol Name	Event Code	Ctrs	Max Inc/ Cyc	Description
COUNTER0_OCCUPANCY	0x1f	1-3	20	Counter 0 Occupancy
RxR_IPO_RETRY	0x31	0-1	1	Probe Queue Retries
RxR_IRQ_RETRY	0x32	0-1	1	Ingress Request Queue Rejects
RxR_ISMQ_RETRY	0x33	0-1	1	ISMQ Retries
LLC_LOOKUP	0x34	0-1	1	Cache Lookups
TOR_INSERTS	0x35	0-1	1	TOR Inserts
TOR_OCCUPANCY	0x36	0	20	TOR Occupancy
LLC_VICTIMS	0x37	0-1	1	Lines Victimized
MISC	0x39	0-1	1	Cbo Misc

2.3.6 CBO Box Common Metrics (Derived Events)

The following table summarizes metrics commonly calculated from CBO Box events.

Symbol Name: Definition	Equation
AVG_INGRESS_DEPTH: Average Depth of the Ingress Queue through the sample interval	$RxR_OCCUPANCY.IRQ / SAMPLE_INTERVAL$
AVG_INGRESS_LATENCY: Average Latency of Requests through the Ingress Queue in Uncore Clocks	$RxR_OCCUPANCY.IRQ / RxR_INSERTS.IRQ$
AVG_INGRESS_LATENCY_WHEN_NE: Average Latency of Requests through the Ingress Queue in Uncore Clocks when Ingress Queue has at least one entry	$RxR_OCCUPANCY.IRQ / COUNTER0_OCCUPANCY\{edge_det,thresh=0x1\}$
AVG_TOR_DRDS_MISS_WHEN_NE: Average Number of Data Read Entries that Miss the LLC when the TOR is not empty.	$(TOR_OCCUPANCY.MISS_OPCODE / COUNTER0_OCCUPANCY\{edge_det,thresh=0x1\})$ with: Cn_MSR_PMON_BOX_FILTER1.opc=0x182
AVG_TOR_DRDS_WHEN_NE: Average Number of Data Read Entries when the TOR is not empty.	$(TOR_OCCUPANCY.OPCODE / COUNTER0_OCCUPANCY\{edge_det,thresh=0x1\})$ with: Cn_MSR_PMON_BOX_FILTER1.opc=0x182
AVG_TOR_DRD_HIT_LATENCY: Average Latency of Data Reads through the TOR that hit the LLC	$((TOR_OCCUPANCY.OPCODE - TOR_OCCUPANCY.MISS_OPCODE) / (TOR_INSERTS.OPCODE - TOR_INSERTS.MISS_OPCODE))$ with: Cn_MSR_PMON_BOX_FILTER.opc=0x182
AVG_TOR_DRD_LATENCY: Average Latency of Data Read Entries making their way through the TOR	$(TOR_OCCUPANCY.OPCODE / TOR_INSERTS.OPCODE)$ with: Cn_MSR_PMON_BOX_FILTER1.opc=0x182
AVG_TOR_DRD_LOC_MISS_LATENCY: Average Latency of Data Reads through the TOR that miss the LLC and were satisfied by Local Memory	$(TOR_OCCUPANCY.MISS_OPCODE / TOR_INSERTS.MISS_OPCODE)$ with: Cn_MSR_PMON_BOX_FILTER1.{opc,nid}={0x182,my_node}
AVG_TOR_DRD_MISS_LATENCY: Average Latency of Data Reads through the TOR that miss the LLC	$(TOR_OCCUPANCY.MISS_OPCODE / TOR_INSERTS.MISS_OPCODE)$ with: Cn_MSR_PMON_BOX_FILTER1.opc=0x182
AVG_TOR_DRD_REM_MISS_LATENCY: Average Latency of Data Reads through the TOR that miss the LLC and were satisfied by a Remote cache or Remote Memory	$(TOR_OCCUPANCY.MISS_OPCODE / TOR_INSERTS.MISS_OPCODE)$ with: Cn_MSR_PMON_BOX_FILTER.{opc,nid}={0x182,other_nodes}
CYC_INGRESS_BLOCKED: Cycles the Ingress Request Queue arbiter was Blocked	$RxR_EXT_STARVED.IRQ / SAMPLE_INTERVAL$



Symbol Name: Definition	Equation
CYC_USED_DNEVEN: Cycles Used in the Down direction, Even polarity	$RING_BL_USED.DN_EVEN / SAMPLE_INTERVAL$
CYC_USED_DNODD: Cycles Used in the Down direction, Odd polarity	$RING_BL_USED.DN_ODD / SAMPLE_INTERVAL$
CYC_USED_UPEVEN: Cycles Used in the Up direction, Even polarity	$RING_BL_USED.UP_EVEN / SAMPLE_INTERVAL$
CYC_USED_UPODD: Cycles Used in the Up direction, Odd polarity	$RING_BL_USED.UP_ODD / SAMPLE_INTERVAL$
FAST_STR_LLC_MISS: Number of ItoM (fast string) operations that miss the LLC	$TOR_INSERTS.MISS_OPCODE$ with: Cn_MSR_PMON_BOX_FILTER1.opc=0x1C8
FAST_STR_LLC_REQ: Number of ItoM (fast string) operations that reference the LLC	$TOR_INSERTS.OPCODE$ with: Cn_MSR_PMON_BOX_FILTER1.opc=0x1C8
INGRESS_REJ_V_INS: Ratio of Ingress Request Entries that were rejected vs. inserted	$RxR_INSERTS.IRO_REJECTED / RxR_INSERTS.IRO$
IO_READ_BW: IO Read Bandwidth in MB - Disk or Network Reads	$(TOR_INSERTS.OPCODE$ with: Cn_MSR_PMON_BOX_FILTER1.opc=0x19C + $TOR_INSERTS.OPCODE$ with: Cn_MSR_PMON_BOX_FILTER.opc=0x1E6) * 64 / 1000000
IO_WRITE_BW: IO Write Bandwidth in MB - Disk or Network Writes	$(TOR_INSERTS.OPCODE$ with: Cn_MSR_PMON_BOX_FILTER1.opc=0x19E + $TOR_INSERTS.OPCODE$ with: Cn_MSR_PMON_BOX_FILTER.opc=0x1E4) * 64 / 1000000
LLC_DRD_MISS_PCT: LLC Data Read miss ratio	$LLC_LOOKUP.DATA_READ$ (Cn_MSR_PMON_BOX_FILTER0.state=0x1) / $LLC_LOOKUP.DATA_READ$ (Cn_MSR_PMON_BOX_FILTER.state=0x3F)
LLC_DRD_RFO_MISS_TO_LOC_MEM: LLC Data Read and RFO misses satisfied by local memory.	$(TOR_INSERTS.NID_MISS_OPCODE$ with: Cn_MSR_PMON_BOX_FILTER1.{opc,nid}={0x182,my_node} + $TOR_INSERTS.NID_MISS_OPCODE$ with: Cn_MSR_PMON_BOX_FILTER.{opc,nid}={0x180,my_node}) / $(TOR_INSERTS.NID_MISS_OPCODE$ with: Cn_MSR_PMON_BOX_FILTER.{opc,nid}={0x182,0xF} + $TOR_INSERTS.NID_MISS_OPCODE$ with: Cn_MSR_PMON_BOX_FILTER.{opc,nid}={0x180,0xF})
LLC_DRD_RFO_MISS_TO_REM_MEM: LLC Data Read and RFO misses satisfied by a remote cache or remote memory.	$(TOR_INSERTS.NID_MISS_OPCODE$ with: Cn_MSR_PMON_BOX_FILTER1.{opc,nid}={0x182,other_nodes} + $TOR_INSERTS.NID_MISS_OPCODE$ with: Cn_MSR_PMON_BOX_FILTER.{opc,nid}={0x180,other_nodes}) / $(TOR_INSERTS.NID_MISS_OPCODE$ with: Cn_MSR_PMON_BOX_FILTER.{opc,nid}={0x182,0xF} + $TOR_INSERTS.NID_MISS_OPCODE$ with: Cn_MSR_PMON_BOX_FILTER.{opc,nid}={0x180,0xF})
LLC_MPI: LLC Misses Per Instruction (code, read, RFO and prefetches)	$LLC_LOOKUP.ANY$ (Cn_MSR_PMON_BOX_FILTER0.state=0x1) / $INST_RETIRED.ALL$ (on Core)
LLC_PCIE_DATA_BYTES: LLC write miss (disk/network reads) bandwidth in MB	$TOR_INSERTS.OPCODE$ with: Cn_MSR_PMON_BOX_FILTER1.opc=0x19C * 64
LLC_RFO_MISS_PCT: LLC RFO Miss Ratio	$(TOR_INSERTS.MISS_OPCODE / TOR_INSERTS.OPCODE)$ with: Cn_MSR_PMON_BOX_FILTER1.opc=0x180



Symbol Name: Definition	Equation
MEM_WB_BYTES: Data written back to memory in Number of Bytes	LLC_VICTIMS.M_STATE * 64
PARTIAL_PCI_READS: Number of partial PCI reads	TOR_INSERTS.OPCODE with: Cn_MSR_PMON_BOX_FILTER1.opc=0x195
PARTIAL_PCI_WRITES: Number of partial PCI writes	TOR_INSERTS.OPCODE with: Cn_MSR_PMON_BOX_FILTER1.opc=0x1E5
PCIE_DATA_BYTES: Data from PCIe in Number of Bytes	(TOR_INSERTS.OPCODE with: Cn_MSR_PMON_BOX_FILTER1.opc=0x194 + TOR_INSERTS.OPCODE with: Cn_MSR_PMON_BOX_FILTER1.opc=0x19C) * 64
RING_THRU_DNEVEN_BYTES: Ring throughput in the Down direction, Even polarity in Bytes	RING_BL_USED.DN_EVEN * 32
RING_THRU_DNODD_BYTES: Ring throughput in the Down direction, Odd polarity in Bytes	RING_BL_USED.DN_ODD * 32
RING_THRU_UPEVEN_BYTES: Ring throughput in the Up direction, Even polarity in Bytes	RING_BL_USED.UP_EVEN * 32
RING_THRU_UPODD_BYTES: Ring throughput in the Up direction, Odd polarity in Bytes	RING_BL_USED.UP_ODD * 32
STREAMED_FULL_STORES: Number of Streamed Store (of Full Cache Line) Transactions	TOR_INSERTS.OPCODE with: Cn_MSR_PMON_BOX_FILTER1.opc=0x18C
STREAMED_PART_STORES: Number of Streamed Store (of Partial Cache Line) Transactions	TOR_INSERTS.OPCODE with: Cn_MSR_PMON_BOX_FILTER1.opc=0x18D
UC_READS: Uncacheable Read Transactions	TOR_INSERTS.MISS_OPCODE with: Cn_MSR_PMON_BOX_FILTER1.opc=0x187

2.3.7 CBO Box Performance Monitor Event List

The section enumerates performance monitoring events for the CBO Box.

CLOCKTICKS

- **Title:** Uncore Clocks
- **Category:** UCLK Events
- **Event Code:** 0x00
- Max. Inc/Cyc: . 1, **Register Restrictions:** 0-3
- **Definition:**

COUNTER0_OCCUPANCY

- **Title:** Counter 0 Occupancy
- **Category:** OCCUPANCY Events
- **Event Code:** 0x1f
- Max. Inc/Cyc: . 20, **Register Restrictions:** 1-3
- **Definition:** Since occupancy counts can only be captured in the Cbo's 0 counter, this event allows a user to capture occupancy related information by filtering the Cbo occupancy count captured in Counter 0. The filtering available is found in the control register - threshold, invert and edge detect. E.g. setting threshold to 1 can effectively monitor how many cycles the monitored queue has an entry.



LLC_LOOKUP

- **Title:** Cache Lookups
- **Category:** CACHE Events
- **Event Code:** 0x34
- Max. Inc/Cyc.: 1, **Register Restrictions:** 0-1
- **Definition:** Counts the number of times the LLC was accessed - this includes code, data, prefetches and hints coming from L2. This has numerous filters available. Note the non-standard filtering equation. This event will count requests that lookup the cache multiple times with multiple increments. One must ALWAYS set filter mask bit 0 and select a state or states to match. Otherwise, the event will count nothing. CBoGICtr[22:17] bits correspond to [M'FMESI] state.
- **NOTE:** Bit 0 of the umask must always be set for this event. This allows us to match a given state (or states). The state is programmed in Cn_MSR_PMON_BOX_FILTER.state. The state field is a bit mask, so you can select (and monitor) multiple states at a time. 0 = I (miss), 1 = S, 2 = E, 3 = M, 4 = F. For example, if you wanted to monitor F and S hits, you could set 10010b in the 5-bit state field. To monitor any lookup, set the field to 0x1F.

Table 2-19. Unit Masks for LLC_LOOKUP

Extension	umask [15:8]	Filter Dep	Description
DATA_READ	b00000011	CBoFilter0[23:17]	Data Read Request Read transactions
WRITE	b00000101	CBoFilter0[23:17]	Write Requests Writeback transactions from L2 to the LLC This includes all write transactions -- both Cacheable and UC.
REMOTE_SNOOP	b00001001	CBoFilter0[23:17]	External Snoop Request Filters for only snoop requests coming from the remote socket(s) through the IPQ.
ANY	b00010001	CBoFilter0[23:17]	Any Request Filters for any transaction originating from the IPQ or IRQ. This does not include lookups originating from the ISMQ.
NID	b01000001	CBoFilter0[23:17]	Lookups that Match NID Qualify one of the other subevents by the Target NID. The NID is programmed in Cn_MSR_PMON_BOX_FILTER.nid. In conjunction with STATE = I, it is possible to monitor misses to specific NIDs in the system.

LLC_VICTIMS

- **Title:** Lines Victimized
- **Category:** CACHE Events
- **Event Code:** 0x37
- Max. Inc/Cyc.: 1, **Register Restrictions:** 0-1
- **Definition:** Counts the number of lines that were victimized on a fill. This can be filtered by the state that the line was in.

Table 2-20. Unit Masks for LLC_VICTIMS

Extension	umask [15:8]	Filter Dep	Description
M_STATE	bxxxxxxx1		Lines in M state
E_STATE	bxxxxxx1x		Lines in E state
S_STATE	bxxxxx1xx		Lines in S State



Table 2-20. Unit Masks for LLC_VICTIMS

Extension	umask [15:8]	Filter Dep	Description
MISS	bxxxx1xxx		
NID	bx1xxxxxx	CBoFilter1[15:0]	Victimized Lines that Match NID Qualify one of the other subevents by the Target NID. The NID is programmed in Cn_MSR_PMON_BOX_FILTER.nid. In conjunction with STATE = 1, it is possible to monitor misses to specific NIDs in the system.

MISC

- **Title:** Cbo Misc
- **Category:** MISC Events
- **Event Code:** 0x39
- Max. Inc/Cyc: . 1, **Register Restrictions:** 0-1
- **Definition:** Miscellaneous events in the Cbo.

Table 2-21. Unit Masks for MISC

Extension	umask [15:8]	Description
RSPI_WAS_FSE	bxxxxxxx1	Silent Snoop Eviction Counts the number of times when a Snoop hit in FSE states and triggered a silent eviction. This is useful because this information is lost in the PRE encodings.
WC_ALIASING	bxxxxxx1x	Write Combining Aliasing Counts the number of times that a USWC write (WCIL(F)) transaction hit in the LLC in M state, triggering a WBMtoI followed by the USWC write. This occurs when there is WC aliasing.
STARTED	bxxxxx1xx	
RFO_HIT_S	bxxxx1xxx	RFO HitS Number of times that an RFO hit in S state. This is useful for determining if it might be good for a workload to use RspiWB instead of RspSWB.

RING_AD_USED

- **Title:** AD Ring In Use
- **Category:** RING Events
- **Event Code:** 0x1b
- Max. Inc/Cyc: . 1, **Register Restrictions:** 2-3
- **Definition:** Counts the number of cycles that the AD ring is being used at this ring stop. This includes when packets are passing by and when packets are being sunk, but does not include when packets are being sent from the ring stop. We really have two rings -- a clockwise ring and a counter-clockwise ring. On the left side of the ring, the "UP" direction is on the clockwise ring and "DN" is on the counter-clockwise ring. On the right side of the ring, this is reversed. The first half of the CBoS are on the left side of the ring, and the 2nd half are on the right side of the ring. In other words (for example), in a 4c part, Cbo 0 UP AD is NOT the same ring as CBo 2 UP AD because they are on opposite sides of the ring.
- **NOTE:** On a 2 column implementation (e.g. 10 cores) UP_EVEN is actually UP_VRO_EVEN+UP_VR1_EVEN (similarly for ODD/DN). In any cycle, a ring stop can see up to one packet moving in the UP direction and one packet moving in the DN direction.



Table 2-22. Unit Masks for RING_AD_USED

Extension	umask [15:8]	Description
UP_VRO_EVEN	bxxxxxx1	Up and Even on Vring 0 Filters for the Up and Even ring polarity on Virtual Ring 0.
UP_VRO_ODD	bxxxxx1x	Up and Odd on Vring 0 Filters for the Up and Odd ring polarity on Virtual Ring 0.
DOWN_VRO_EVEN	bxxxx1xx	Down and Even on Vring 0 Filters for the Down and Even ring polarity on Virtual Ring 0.
DOWN_VRO_ODD	bxxx1xxx	Down and Odd on Vring 0 Filters for the Down and Odd ring polarity on Virtual Ring 0.
UP_VR1_EVEN	bxxx1xxxx	Up and Even on VRing 1 Filters for the Up and Even ring polarity on Virtual Ring 1.
UP_VR1_ODD	bxx1xxxxx	Up and Odd on VRing 1 Filters for the Up and Odd ring polarity on Virtual Ring 1.
UP	b00110011	Up
DOWN_VR1_EVEN	bx1xxxxxx	Down and Even on VRing 1 Filters for the Down and Even ring polarity on Virtual Ring 1.
DOWN_VR1_ODD	b1xxxxxxx	Down and Odd on VRing 1 Filters for the Down and Odd ring polarity on Virtual Ring 1.
DOWN	b11001100	Down

RING_AK_USED

- **Title:** AK Ring In Use
- **Category:** RING Events
- **Event Code:** 0x1c
- Max. Inc/Cyc.: 1, **Register Restrictions:** 2-3
- **Definition:** Counts the number of cycles that the AK ring is being used at this ring stop. This includes when packets are passing by and when packets are being sunk, but does not include when packets are being sent from the ring stop. We really have two rings -- a clockwise ring and a counter-clockwise ring. On the left side of the ring, the "UP" direction is on the clockwise ring and "DN" is on the counter-clockwise ring. On the right side of the ring, this is reversed. The first half of the CBoS are on the left side of the ring, and the 2nd half are on the right side of the ring. In other words (for example), in a 4c part, Cbo 0 UP AD is NOT the same ring as Cbo 2 UP AD because they are on opposite sides of the ring.
- **NOTE:** On a 2 column implementation (e.g. 10C) UP_EVEN is actually UP_VRO_EVEN+UP_VR1_EVEN (similarly for ODD/DN). In any cycle, a ring stop can see up to one packet moving in the UP direction and one packet moving in the DN direction.

Table 2-23. Unit Masks for RING_AK_USED

Extension	umask [15:8]	Description
UP_VRO_EVEN	bxxxxxx1	Up and Even on Vring 0 Filters for the Up and Even ring polarity on Virtual Ring 0.
UP_VRO_ODD	bxxxxx1x	Up and Odd on Vring 0 Filters for the Up and Odd ring polarity on Virtual Ring 0.
DOWN_VRO_EVEN	bxxxx1xx	Down and Even on Vring 0 Filters for the Down and Even ring polarity on Virtual Ring 0.
DOWN_VRO_ODD	bxxx1xxx	Down and Odd on Vring 0 Filters for the Down and Odd ring polarity on Virtual Ring 0.
UP_VR1_EVEN	bxxx1xxxx	Up and Even on VRing 1 Filters for the Up and Even ring polarity on Virtual Ring 1.



Table 2-23. Unit Masks for RING_AK_USED

Extension	umask [15:8]	Description
UP_VR1_ODD	bxx1xxxxx	Up and Odd on VRing 1 Filters for the Up and Odd ring polarity on Virtual Ring 1.
UP	b00110011	Up
DOWN_VR1_EVEN	bx1xxxxxx	Down and Even on VRing 1 Filters for the Down and Even ring polarity on Virtual Ring 1.
DOWN_VR1_ODD	b1xxxxxxx	Down and Odd on VRing 1 Filters for the Down and Odd ring polarity on Virtual Ring 1.
DOWN	b11001100	Down

RING_BL_USED

- **Title:** BL Ring in Use
- **Category:** RING Events
- **Event Code:** 0x1d
- Max. Inc/Cyc: . 1, **Register Restrictions:** 2-3
- **Definition:** Counts the number of cycles that the BL ring is being used at this ring stop. This includes when packets are passing by and when packets are being sunk, but does not include when packets are being sent from the ring stop. We really have two rings -- a clockwise ring and a counter-clockwise ring. On the left side of the ring, the "UP" direction is on the clockwise ring and "DN" is on the counter-clockwise ring. On the right side of the ring, this is reversed. The first half of the CBoS are on the left side of the ring, and the 2nd half are on the right side of the ring. In other words (for example), in a 4c part, Cbo 0 UP AD is NOT the same ring as Cbo 2 UP AD because they are on opposite sides of the ring.
- **NOTE:** On a 2 column implementation (e.g. 10C) UP_EVEN is actually UP_VRO_EVEN+UP_VR1_EVEN (similarly for ODD/DN). In any cycle, a ring stop can see up to one packet moving in the UP direction and one packet moving in the DN direction.

Table 2-24. Unit Masks for RING_BL_USED

Extension	umask [15:8]	Description
UP_VRO_EVEN	bxxxxxxx1	Up and Even on Vring 0 Filters for the Up and Even ring polarity on Virtual Ring 0.
UP_VRO_ODD	bxxxxxx1x	Up and Odd on Vring 0 Filters for the Up and Odd ring polarity on Virtual Ring 0.
DOWN_VRO_EVEN	bxxxxx1xx	Down and Even on Vring 0 Filters for the Down and Even ring polarity on Virtual Ring 0.
DOWN_VRO_ODD	bxxxx1xxx	Down and Odd on Vring 0 Filters for the Down and Odd ring polarity on Virtual Ring 0.
UP_VR1_EVEN	bxxx1xxxx	Up and Even on VRing 1 Filters for the Up and Even ring polarity on Virtual Ring 1.
UP_VR1_ODD	bxx1xxxxx	Up and Odd on VRing 1 Filters for the Up and Odd ring polarity on Virtual Ring 1.
UP	b00110011	Up
DOWN_VR1_EVEN	bx1xxxxxx	Down and Even on VRing 1 Filters for the Down and Even ring polarity on Virtual Ring 1.
DOWN_VR1_ODD	b1xxxxxxx	Down and Odd on VRing 1 Filters for the Down and Odd ring polarity on Virtual Ring 1.
DOWN	b11001100	Down



RING_BOUNCES

- **Title:** Number of LLC responses that bounced on the Ring.
- **Category:** RING Events
- **Event Code:** 0x05
- Max. Inc/Cyc.: 1, **Register Restrictions:** 0-1
- **Definition:**

Table 2-25. Unit Masks for RING_BOUNCES

Extension	umask [15:8]	Description
AD_IRQ	bxxxxx1x	
AK	bxxxx1xx	Acknowledgements to core
BL	bxxxx1xxx	Data Responses to core
IV	bxxx1xxxx	Snoops of processor's cache.

RING_IV_USED

- **Title:** IV Ring in Use
- **Category:** RING Events
- **Event Code:** 0x1e
- Max. Inc/Cyc.: 1, **Register Restrictions:** 2-3
- **Definition:** Counts the number of cycles that the IV ring is being used at this ring stop. This includes when packets are passing by and when packets are being sunk, but does not include when packets are being sent from the ring stop.

Table 2-26. Unit Masks for RING_IV_USED

Extension	umask [15:8]	Description
ANY	b00001111	Any Filters any polarity
UP	b00110011	Up Filters for Up polarity
DOWN	b11001100	Down Filters for Down polarity

RING_SRC_THRTL

- **Title:**
- **Category:** RING Events
- **Event Code:** 0x07
- Max. Inc/Cyc.: 1, **Register Restrictions:** 0-1
- **Definition:**

RxR_EXT_STARVED

- **Title:** Ingress Arbiter Blocking Cycles
- **Category:** INGRESS Events
- **Event Code:** 0x12
- Max. Inc/Cyc.: 1, **Register Restrictions:** 0-1
- **Definition:** Counts cycles in external starvation. This occurs when one of the ingress queues is being starved by the other queues.



Table 2-27. Unit Masks for RxR_EXT_STARVED

Extension	umask [15:8]	Description
IRQ	bxxxxxxx1	IPO IRQ is externally starved and therefore we are blocking the IPO.
IPO	bxxxxxx1x	IRQ IPO is externally starved and therefore we are blocking the IRQ.
PRO	bxxxx1xx	IRQ is blocking the ingress queue and causing the starvation.
ISMQ_BIDS	bxxxx1xxx	ISMQ_BID Number of times that the ISMQ Bid.

RxR_INSERTS

- **Title:** Ingress Allocations
- **Category:** INGRESS Events
- **Event Code:** 0x13
- Max. Inc/Cyc: . 1, **Register Restrictions:** 0-1
- **Definition:** Counts number of allocations per cycle into the specified Ingress queue.
- **NOTE:** IRQ_REJECTED should not be ORed with the other umasks.

Table 2-28. Unit Masks for RxR_INSERTS

Extension	umask [15:8]	Description
IRQ	bxxxxxxx1	IRQ
IRQ_REJ	bxxxxxx1x	IRQ Rejected
IPO	bxxxx1xx	IPO
VFIFO	bxxx1xxx	VFIFO Counts the number of allocations into the IRQ Ordering FIFO. In the prior generation uncore in Intel Xeon processor E5-2600 Product Family, it is necessary to keep IO requests in order. Therefore, they are allocated into an ordering FIFO that sits next to the IRQ, and must be satisfied from the FIFO in order (with respect to each other). This event, in conjunction with the Occupancy Accumulator event, can be used to calculate average lifetime in the FIFO. Transactions are allocated into the FIFO as soon as they enter the Cachebo (and the IRQ) and are deallocated from the FIFO as soon as they are deallocated from the IRQ.

RxR_IPO_RETRY

- **Title:** Probe Queue Retries
- **Category:** INGRESS_RETRY Events
- **Event Code:** 0x31
- Max. Inc/Cyc: . 1, **Register Restrictions:** 0-1
- **Definition:** Number of times a snoop (probe) request had to retry. Filters exist to cover some of the common cases retries.



Table 2-29. Unit Masks for RxR_IPQ_RETRY

Extension	umask [15:8]	Description
ANY	bxxxxxx1	Any Reject Counts the number of times that a request from the IPQ was retried because of a TOR reject. TOR rejects from the IPQ can be caused by the Egress being full or Address Conflicts.
FULL	bxxxxx1x	No Egress Credits Counts the number of times that a request from the IPQ was retried because of a TOR reject from the Egress being full. IPQ requests make use of the AD Egress for regular responses, the BL egress to forward data, and the AK egress to return credits.
ADDR_CONFLICT	bxxxx1xx	Address Conflict Counts the number of times that a request from the IPQ was retried because of a TOR reject from an address conflicts. Address conflicts out of the IPQ should be rare. They will generally only occur if two different sockets are sending requests to the same address at the same time. This is a true "conflict" case, unlike the IPQ Address Conflict which is commonly caused by prefetching characteristics.
QPI_CREDITS	bxxx1xxxx	No QPI Credits

RxR_IRQ_RETRY

- **Title:** Ingress Request Queue Rejects
- **Category:** INGRESS_RETRY Events
- **Event Code:** 0x32
- Max. Inc/Cyc.: 1, **Register Restrictions:** 0-1
- **Definition:**

Table 2-30. Unit Masks for RxR_IRQ_RETRY

Extension	umask [15:8]	Description
ANY	bxxxxxx1	Any Reject Counts the number of IRQ retries that occur. Requests from the IRQ are retried if they are rejected from the TOR pipeline for a variety of reasons. Some of the most common reasons include if the Egress is full, there are no RTIDs, or there is a Physical Address match to another outstanding request.
FULL	bxxxxx1x	No Egress Credits Counts the number of times that a request from the IRQ was retried because it failed to acquire an entry in the Egress. The egress is the buffer that queues up for allocating onto the ring. IRQ requests can make use of all four rings and all four Egresses. If any of the queues that a given request needs to make use of are full, the request will be retried.
ADDR_CONFLICT	bxxxx1xx	Address Conflict Counts the number of times that a request from the IRQ was retried because of an address match in the TOR. In order to maintain coherency, requests to the same address are not allowed to pass each other up in the Cbo. Therefore, if there is an outstanding request to a given address, one cannot issue another request to that address until it is complete. This comes up most commonly with prefetches. Outstanding prefetches occasionally will not complete their memory fetch and a demand request to the same address will then sit in the IRQ and get retried until the prefetch fills the data into the LLC. Therefore, it will not be uncommon to see this case in high bandwidth streaming workloads when the LLC Prefetcher in the core is enabled.



Table 2-30. Unit Masks for RxR_IRQ_RETRY

Extension	umask [15:8]	Description
RTID	bxxxx1xxx	No RTIDs Counts the number of times that requests from the IRQ were retried because there were no RTIDs available. RTIDs are required after a request misses the LLC and needs to send snoops and/or requests to memory. If there are no RTIDs available, requests will queue up in the IRQ and retry until one becomes available. Note that there are multiple RTID pools for the different sockets. There may be cases where the local RTIDs are all used, but requests destined for remote memory can still acquire an RTID because there are remote RTIDs available. This event does not provide any filtering for this case.
QPI_CREDITS	bxxx1xxxx	No QPI Credits Number of requests rejects because of lack of QPI Ingress credits. These credits are required in order to send transactions to the QPI agent. Please see the QPI_IGR_CREDITS events for more information.
IIO_CREDITS	bxx1xxxxx	No IIO Credits Number of times a request attempted to acquire the NCS/NCB credit for sending messages on BL to the IIO. There is a single credit in each CBo that is shared between the NCS and NCB message classes for sending transactions on the BL ring (such as read data) to the IIO.

RxR_ISMQ_RETRY

- **Title:** ISMQ Retries
- **Category:** INGRESS_RETRY Events
- **Event Code:** 0x33
- Max. Inc/Cyc: 1, **Register Restrictions:** 0-1
- **Definition:** Number of times a transaction flowing through the ISMQ had to retry. Transaction pass through the ISMQ as responses for requests that already exist in the Cbo. Some examples include: when data is returned or when snoop responses come back from the cores.

Table 2-31. Unit Masks for RxR_ISMQ_RETRY

Extension	umask [15:8]	Description
ANY	bxxxxxxx1	Any Reject Counts the total number of times that a request from the ISMQ retried because of a TOR reject. ISMQ requests generally will not need to retry (or at least ISMQ retries are less common than IRQ retries). ISMQ requests will retry if they are not able to acquire a needed Egress credit to get onto the ring, or for cache evictions that need to acquire an RTID. Most ISMQ requests already have an RTID, so eviction retries will be less common here.
FULL	bxxxxxx1x	No Egress Credits Counts the number of times that a request from the ISMQ retried because of a TOR reject caused by a lack of Egress credits. The egress is the buffer that queues up for allocating onto the ring. If any of the Egress queues that a given request needs to make use of are full, the request will be retried.
RTID	bxxxx1xxx	No RTIDs Counts the number of times that a request from the ISMQ retried because of a TOR reject caused by no RTIDs. M-state cache evictions are serviced through the ISMQ, and must acquire an RTID in order to write back to memory. If no RTIDs are available, they will be retried.
QPI_CREDITS	bxxx1xxxx	No QPI Credits



Table 2-31. Unit Masks for RxR_ISMQ_RETRY

Extension	umask [15:8]	Description
IIO_CREDITS	bxx1xxxxx	No IIO Credits Number of times a request attempted to acquire the NCS/NCB credit for sending messages on BL to the IIO. There is a single credit in each CBo that is shared between the NCS and NCB message classes for sending transactions on the BL ring (such as read data) to the IIO.
WB_CREDITS	b1xxxxxxx	No WB Credits Retries of writes to local memory due to lack of HT WB credits

RxR_OCCUPANCY

- **Title:** Ingress Occupancy
- **Category:** INGRESS Events
- **Event Code:** 0x11
- Max. Inc/Cyc.: 20, **Register Restrictions:** 0
- **Definition:** Counts number of entries in the specified Ingress queue in each cycle.
- **NOTE:** IRQ_REJECTED should not be Ored with the other umasks.

Table 2-32. Unit Masks for RxR_OCCUPANCY

Extension	umask [15:8]	Description
IRQ	b00000001	IRQ
IRQ_REJECTED	b00000010	IRQ Rejected
IPQ	b00000100	IPQ
VFIFO	b00010000	VFIFO Accumulates the number of used entries in the IRQ Ordering FIFO in each cycle. In the prior generation uncore in Intel Xeon processor E5-2600 Product Family, it is necessary to keep IO requests in order. Therefore, they are allocated into an ordering FIFO that sits next to the IRQ, and must be satisfied from the FIFO in order (with respect to each other). This event, in conjunction with the Allocations event, can be used to calculate average lifetime in the FIFO. This event can be used in conjunction with the Not Empty event to calculate average queue occupancy. Transactions are allocated into the FIFO as soon as they enter the Cachebo (and the IRQ) and are deallocated from the FIFO as soon as they are deallocated from the IRQ.

TOR_INSERTS

- **Title:** TOR Inserts
- **Category:** TOR Events
- **Event Code:** 0x35
- Max. Inc/Cyc.: 1, **Register Restrictions:** 0-1
- **Definition:** Counts the number of entries successfully inserted into the TOR that match qualifications specified by the subevent. There are a number of subevent 'filters' but only a subset of the subevent combinations are valid. Subevents that require an opcode or NID match require the Cn_MSR_PMON_BOX_FILTER.{opc, nid} field to be set. If, for example, one wanted to count DRD Local Misses, one should select "MISS_OPC_MATCH" and set Cn_MSR_PMON_BOX_FILTER.opc to DRD (0x182).



Table 2-33. Unit Masks for TOR_INSERTS

Extension	umask [15:8]	Filter Dep	Description
OPCODE	b00000001	CBoFilter1[28:20]	Opcode Match Transactions inserted into the TOR that match an opcode (matched by Cn_MSR_PMON_BOX_FILTER.opc)
MISS_OPCODE	b00000011	CBoFilter1[28:20]	Miss Opcode Match Miss transactions inserted into the TOR that match an opcode.
EVICTION	b00000100		Evictions Eviction transactions inserted into the TOR. Evictions can be quick, such as when the line is in the F, S, or E states and no core valid bits are set. They can also be longer if either CV bits are set (so the cores need to be snooped) and/or if there is a HitM (in which case it is necessary to write the request out to memory).
ALL	b00001000		All All transactions inserted into the TOR. This includes requests that reside in the TOR for a short time, such as LLC Hits that do not need to snoop cores or requests that get rejected and have to be retried through one of the ingress queues. The TOR is more commonly a bottleneck in skews with smaller core counts, where the ratio of RTIDs to TOR entries is larger. Note that there are reserved TOR entries for various request types, so it is possible that a given request type be blocked with an occupancy that is less than 20. Also note that generally requests will not be able to arbitrate into the TOR pipeline if there are no available TOR slots.
WB	b00010000		Writebacks Write transactions inserted into the TOR. This does not include "RFO", but actual operations that contain data being sent from the core.
LOCAL_OPCODE	b00100001	CBoFilter1[28:20]	Local Memory - Opcode Matched All transactions, satisfied by an opcode, inserted into the TOR that are satisfied by locally HOMed memory.
MISS_LOCAL_OPCODE	b00100011	CBoFilter1[28:20]	Misses to Local Memory - Opcode Matched Miss transactions, satisfied by an opcode, inserted into the TOR that are satisfied by locally HOMed memory.
LOCAL	b00101000		Local Memory All transactions inserted into the TOR that are satisfied by locally HOMed memory.
MISS_LOCAL	b00101010		Misses to Local Memory Miss transactions inserted into the TOR that are satisfied by locally HOMed memory.
NID_OPCODE	b01000001	CBoFilter1[28:20], CBoFilter1[15:0]	NID and Opcode Matched Transactions inserted into the TOR that match a NID and an opcode.
NID_MISS_OPCODE	b01000011	CBoFilter1[28:20], CBoFilter1[15:0]	NID and Opcode Matched Miss Miss transactions inserted into the TOR that match a NID and an opcode.
NID_EVICTION	b01000100	CBoFilter1[15:0]	NID Matched Evictions NID matched eviction transactions inserted into the TOR.

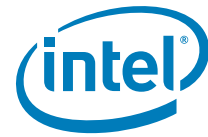


Table 2-33. Unit Masks for TOR_INSERTS

Extension	umask [15:8]	Filter Dep	Description
NID_ALL	b01001000	CBoFilter1[15:0]	NID Matched All NID matched (matches an RTID destination) transactions inserted into the TOR. The NID is programmed in Cn_MSR_PMON_BOX_FILTER.nid. In conjunction with STATE = 1, it is possible to monitor misses to specific NIDs in the system.
NID_MISS_ALL	b01001010	CBoFilter1[15:0]	NID Matched Miss All All NID matched miss requests that were inserted into the TOR.
NID_WB	b01010000	CBoFilter1[15:0]	NID Matched Writebacks NID matched write transactions inserted into the TOR.
REMOTE_OPCODE	b10000001	CBoFilter1[28:20]	Remote Memory - Opcode Matched All transactions, satisfied by an opcode, inserted into the TOR that are satisfied by remote caches or remote memory.
MISS_REMOTE_OPCODE	b10000011	CBoFilter1[28:20]	Misses to Remote Memory - Opcode Matched Miss transactions, satisfied by an opcode, inserted into the TOR that are satisfied by remote caches or remote memory.
REMOTE	b10001000		Remote Memory All transactions inserted into the TOR that are satisfied by remote caches or remote memory.
MISS_REMOTE	b10001010		Misses to Remote Memory Miss transactions inserted into the TOR that are satisfied by remote caches or remote memory.

TOR_OCCUPANCY

- **Title:** TOR Occupancy
- **Category:** TOR Events
- **Event Code:** 0x36
- Max. Inc/Cyc.: 20, **Register Restrictions:** 0
- **Definition:** For each cycle, this event accumulates the number of valid entries in the TOR that match qualifications specified by the subevent. There are a number of subevent 'filters' but only a subset of the subevent combinations are valid. Subevents that require an opcode or NID match require the Cn_MSR_PMON_BOX_FILTER.{opc, nid} field to be set. If, for example, one wanted to count DRD Local Misses, one should select "MISS_OPC_MATCH" and set Cn_MSR_PMON_BOX_FILTER.opc to DRD (0x182).

Table 2-34. Unit Masks for TOR_OCCUPANCY

Extension	umask [15:8]	Filter Dep	Description
OPCODE	b00000001	CBoFilter1[28:20]	Opcode Match TOR entries that match an opcode (matched by Cn_MSR_PMON_BOX_FILTER.opc).
MISS_OPCODE	b00000011	CBoFilter1[28:20]	Miss Opcode Match TOR entries for miss transactions that match an opcode. This generally means that the request was sent to memory or MMIO.
EVICTION	b00000100		Evictions Number of outstanding eviction transactions in the TOR. Evictions can be quick, such as when the line is in the F, S, or E states and no core valid bits are set. They can also be longer if either CV bits are set (so the cores need to be snooped) and/or if there is a HitM (in which case it is necessary to write the request out to memory).



Table 2-34. Unit Masks for TOR_OCCUPANCY

Extension	umask [15:8]	Filter Dep	Description
ALL	b00001000		Any All valid TOR entries. This includes requests that reside in the TOR for a short time, such as LLC Hits that do not need to snoop cores or requests that get rejected and have to be retried through one of the ingress queues. The TOR is more commonly a bottleneck in skews with smaller core counts, where the ratio of RTIDs to TOR entries is larger. Note that there are reserved TOR entries for various request types, so it is possible that a given request type be blocked with an occupancy that is less than 20. Also note that generally requests will not be able to arbitrate into the TOR pipeline if there are no available TOR slots.
MISS_ALL	b00001010		Miss All Number of outstanding miss requests in the TOR. 'Miss' means the allocation requires an RTID. This generally means that the request was sent to memory or MMIO.
WB	b00010000		Writebacks Write transactions in the TOR. This does not include "RFO", but actual operations that contain data being sent from the core.
LOCAL_OPCODE	b00100001	CBoFilter1[28:20]	Local Memory - Opcode Matched Number of outstanding transactions, satisfied by an opcode, in the TOR that are satisfied by locally HOMOed memory.
MISS_LOCAL_OPCODE	b00100011	CBoFilter1[28:20]	Misses to Local Memory - Opcode Matched Number of outstanding Miss transactions, satisfied by an opcode, in the TOR that are satisfied by locally HOMOed memory.
LOCAL	b00101000		
MISS_LOCAL	b00101010		
NID_OPCODE	b01000001	CBoFilter1[28:20], CBoFilter1[15:0]	NID and Opcode Matched TOR entries that match a NID and an opcode.
NID_MISS_OPCODE	b01000011	CBoFilter1[28:20], CBoFilter1[15:0]	NID and Opcode Matched Miss Number of outstanding Miss requests in the TOR that match a NID and an opcode.
NID_EVICTION	b01000100	CBoFilter1[15:0]	NID Matched Evictions Number of outstanding NID matched eviction transactions in the TOR.
NID_ALL	b01001000	CBoFilter1[15:0]	NID Matched Number of NID matched outstanding requests in the TOR. The NID is programmed in Cn_MSR_PMON_BOX_FILTER.nid. In conjunction with STATE = I, it is possible to monitor misses to specific NIDs in the system.
NID_MISS_ALL	b01001010	CBoFilter1[15:0]	NID Matched Number of outstanding Miss requests in the TOR that match a NID.
NID_WB	b01010000	CBoFilter1[15:0]	NID Matched Writebacks NID matched write transactions in the TOR.
REMOTE_OPCODE	b10000001	CBoFilter1[28:20]	Remote Memory - Opcode Matched Number of outstanding transactions, satisfied by an opcode, in the TOR that are satisfied by remote caches or remote memory.



Table 2-34. Unit Masks for TOR_OCCUPANCY

Extension	umask [15:8]	Filter Dep	Description
MISS_REMOTE_OPCODE	b10000011	CBoFilter1[28:20]	Misses to Remote Memory - Opcode Matched Number of outstanding Miss transactions, satisfied by an opcode, in the TOR that are satisfied by remote caches or remote memory.
REMOTE	b10001000		
MISS_REMOTE	b10001010		

TxR_ADS_USED

- **Title:**
- **Category:** EGRESS Events
- **Event Code:** 0x04
- Max. Inc/Cyc.: 1, **Register Restrictions:** 0-1
- **Definition:**

Table 2-35. Unit Masks for TxR_ADS_USED

Extension	umask [15:8]	Description
AD	bxxxxxxx1	Onto AD Ring
AK	bxxxxxx1x	Onto AK Ring
BL	bxxxxx1xx	Onto BL Ring

TxR_INSERTS

- **Title:** Egress Allocations
- **Category:** EGRESS Events
- **Event Code:** 0x02
- Max. Inc/Cyc.: 1, **Register Restrictions:** 0-1
- **Definition:** Number of allocations into the Cbo Egress. The Egress is used to queue up requests destined for the ring.

Table 2-36. Unit Masks for TxR_INSERTS

Extension	umask [15:8]	Description
AD_CACHE	bxxxxxxx1	AD - Cachebo Ring transactions from the Cachebo destined for the AD ring. Some example include outbound requests, snoop requests, and snoop responses.
AK_CACHE	bxxxxxx1x	AK - Cachebo Ring transactions from the Cachebo destined for the AK ring. This is commonly used for credit returns and GO responses.
BL_CACHE	bxxxxx1xx	BL - Cachebo Ring transactions from the Cachebo destined for the BL ring. This is commonly used to send data from the cache to various destinations.
IV_CACHE	bxxxx1xxx	IV - Cachebo Ring transactions from the Cachebo destined for the IV ring. This is commonly used for snoops to the cores.
AD_CORE	bxxx1xxxx	AD - Corebo Ring transactions from the Corebo destined for the AD ring. This is commonly used for outbound requests.



Table 2-36. Unit Masks for TxR_INSERTS

Extension	umask [15:8]	Description
AK_CORE	bxx1xxxxx	AK - Corebo Ring transactions from the Corebo destined for the AK ring. This is commonly used for snoop responses coming from the core and destined for a Cachebo.
BL_CORE	bx1xxxxxx	BL - Corebo Ring transactions from the Corebo destined for the BL ring. This is commonly used for transferring writeback data to the cache.

2.4 HOME AGENT (HA) PERFORMANCE MONITORING

2.4.1 Overview of the Home Agent

The HA is responsible for the protocol side of memory interactions, including coherent and non-coherent home agent protocols (as defined in the *Intel® QuickPath Interconnect Specification*). Additionally, the HA is responsible for ordering memory reads/writes, coming in from the modular Ring, to a given address such that the iMC (memory controller).

In other words, it is the coherency agent responsible for guarding the memory controller. All requests for memory attached to the coupled iMC must first be ordered through the HA. As such, it provides several functions:

- Interface between Ring and iMC:
Regardless of the memory technology, the Home Agent receives memory read and write requests from the modular ring. It checks the memory transaction type, detects and resolves the coherent conflict, and finally schedules a corresponding transaction to the memory controller. It is also responsible for returning the response and completion to the requester.
- Conflict Manager:
All requests must go through conflict management logic in order to ensure coherent consistency. In other words, the view of data must be the same across all coherency agents regardless of who is reading or modifying the data. On Intel® QPI, the home agent is responsible for tracking all requests to a given address and ensuring that the results are consistent.
- Memory Access Ordering Control:
The Home Agent guarantees the ordering of RAW, WAW and WAR. Home Snoop Protocol Support (for parts with Directory Support):
The Home Agent supports Intel® QPI's home snoop protocol by initiating snoops on behalf of requests. Closely tied to the directory feature, the home agent has the ability to issue snoops to the peer caching agents for requests based on the directory information.
- Directory Support:
In order to satisfy performance requirements for the 4 socket and scalable DP segments, the Home Agent implements a snoop directory which tracks all cachelines residing behind this Home Agent. This directory is used to reduce the snoop traffic when Intel® QPI bandwidth would otherwise be strained. The directory is not intended for typical 2S topologies.

2.4.2 HA Performance Monitoring Overview

The HA Box supports event monitoring through four 48-bit wide counters (HA_PCI_PMON_CTR{3:0}). Each of these counters can be programmed (HA_PCI_PMON_CTL{3:0}) to capture any HA event. The HA counters will increment by a maximum of 8b per cycle.



For information on how to setup a monitoring session, refer to Section 2.1, “Uncore Per-Socket Performance Monitoring Control”.

2.4.2.1 HA PMON Registers - On Overflow and the Consequences (PMI/Freeze)

If a overflow is detected from an HA performance counter enabled to communicate its overflow (HAn_PCI_PMON_CTL.ov_en is set to 1), the overflow bit is set at the box level (HAn_PCI_PMON_BOX_STATUS.ov) and an overflow message is sent to the UBox. When the UBox receives the overflow signal, the U_MSR_PMON_GLOBAL_STATUS.ov_h bit is set (see Table 2-3, “U_MSR_PMON_GLOBAL_STATUS Register – Field Definitions”) and a PMI can be generated.

Once a freeze has occurred, in order to see a new freeze, the overflow responsible for the freeze, must be cleared by setting the corresponding bit in HAn_PCI_PMON_BOX_STATUS.ov and U_MSR_PMON_GLOBAL_STATUS.ov_h to 1. Assuming all the counters have been locally enabled (.en bit in control registers meant to monitor events) and the overflow bit(s) has been cleared, the HA is prepared for a new sample interval. Once the global controls have been re-enabled (Section 2.1.4, “Enabling a New Sample Interval from Frozen Counters”), counting will resume.

2.4.2.2 HA Performance Monitors

Table 2-37. HA Performance Monitoring MSRs

Register Name	PCICFG Address	Size (bits)	Description
PCICFG Base Address	Dev:Func		
HA0 PMON Registers	D14:F1		
HA1 PMON Registers	D28:F1		
Box-Level Control/Status			
HAn_PCI_PMON_BOX_STATUS	F8	32	HA n PMON Box-Wide Status
HAn_PCI_PMON_BOX_CTL	F4	32	HA n PMON Box-Wide Control
Generic Counter Control			
HAn_PCI_PMON_CTL3	E4	32	HA n PMON Control for Counter 3
HAn_PCI_PMON_CTL2	E0	32	HA n PMON Control for Counter 2
HAn_PCI_PMON_CTL1	DC	32	HA n PMON Control for Counter 1
HAnPCI_PMON_CTL0	D8	32	HA n PMON Control for Counter 0
Generic Counters			
HAn_PCI_PMON_CTR3	BC+B8	32x2	HA n PMON Counter 3
HAn_PCI_PMON_CTR2	B4+B0	32x2	HA n PMON Counter 2
HAn_PCI_PMON_CTR1	AC+A8	32x2	HA n PMON Counter 1
HAn_PCI_PMON_CTR0	A4+A0	32x2	HA n PMON Counter 0
Box-Level Filter			
HAn_PCI_PMON_BOX_OPCODEMATCH	48	32	HA n PMON Opcode Match
HAn_PCI_PMON_BOX_ADDRMATCH1	44	32	HA n PMON Address Match 1
HAn_PCI_PMON_BOX_ADDRMATCH0	40	32	HA n PMON Address Match 0

2.4.2.3 HA Box Level PMON State

The following registers represent the state governing all box-level PMUs in the HA Box.



In the case of the HA, the HA_PCI_PMON_BOX_CTL register provides the ability to manually freeze the counters in the box (.frz) and reset the generic state (.rst_ctrs and .rst_ctrl).

If an overflow is detected from one of the HA PMON registers, the corresponding bit in the HA_PCI_PMON_BOX_STATUS.ov field will be set. To reset these overflow bits, a user must write a value of '1' to them (which will clear the bits).

Table 2-38. HA_PCI_PMON_BOX_CTL Register - Field Definitions

Field	Bits	Attr	HW Reset Val	Description
ig	31:18	RV	0	Ignored
rsv	17:16	RV	0	Reserved; SW must write to 1 else behavior is undefined.
ig	15:9	RV	0	Ignored
frz	8	WO	0	Freeze. If set to 1 the counters in this box will be frozen.
ig	7:2	RV	0	Ignored
rst_ctrs	1	WO	0	Reset Counters. When set to 1, the Counter Registers will be reset to 0.
rst_ctrl	0	WO	0	Reset Control. When set to 1, the Counter Control Registers will be reset to 0.

Table 2-39. HA_PCI_PMON_BOX_STATUS Register - Field Definitions

Field	Bits	Attr	HW Reset Val	Description
ig	31:5	RV	0	Ignored
rsv	4	RV	0	Reserved. SW must write to 0 else behavior is undefined.
ov	3:0	RW1C	0	If an overflow is detected from the corresponding HA_PCI_PMON_CTR register, it's overflow bit will be set. NOTE: Write of '1' will clear the bit.

2.4.2.4 HA PMON state - Counter/Control Pairs

The following table defines the layout of the HA performance monitor control registers. The main task of these configuration registers is to select the event to be monitored by their respective data counter (.ev_sel, .umask). Additional control bits are provided to shape the incoming events (e.g. .edge_det, .thresh) as well as provide additional functionality for monitoring software (.rst, .ov_en).



Table 2-40. HA_PCI_PMON_CTL{3-0} Register - Field Definitions

Field	Bits	Attr	HW Reset Val	Description
thresh	31:24	RW-V	0	Threshold used in counter comparison.
rsv	23	RV	0	Reserved. SW must write to 0 else behavior is undefined.
en	22	RW-V	0	Local Counter Enable.
rsv	21	RV	0	Reserved. SW must write to 0 else behavior is undefined.
ov_en	20	RW-V	0	When this bit is asserted and the corresponding counter overflows, its overflow bit is set in the local status register (HA_PCI_PMON_BOX_STATUS.ov) and an overflow is sent on the message channel to the UBox. When the overflow is received by the UBox, the bit corresponding to this HA will be set in U_MSR_PMON_GLOBAL_STATUS.ov_h{1,0}.
ig	19	RV	0	Ignored
edge_det	18	RW-V	0	When set to 1, rather than measuring the event in each cycle it is active, the corresponding counter will increment when a 0 to 1 transition (i.e. rising edge) is detected. When 0, the counter will increment in each cycle that the event is asserted. NOTE: .edge_det is in series following .thresh. Due to this, the .thresh field must be set to a non-0 value. For events that increment by no more than 1 per cycle, set .thresh to 0x1.
rst	17	WO	0	When set to 1, the corresponding counter will be cleared to 0.
q_occ_rst	16	WO	0	When set to 1, clear queue occupancy counter implicated by event select. NOTE: Since queue occupancy counters never drop below zero, it is possible for the counters to 'catch up' with the real occupancy of the queue in question when the real occupancy drops to zero.
umask	15:8	RW-V	0	Select subevents to be counted within the selected event.
ev_sel	7:0	RW-V	0	Select event to be counted.

The HA performance monitor data registers are 48-bit wide. A counter overflow occurs when a carry out from bit 47 is detected. Software can force all uncore counting to freeze after N events by preloading a monitor with a count value of $2^{48} - N$ and setting the control register to send an overflow message to the UBox (refer to Section 2.1.1, "Counter Overflow"). During the interval of time between overflow and global disable, the counter value will wrap and continue to collect events.

If accessible, software can continuously read the data registers without disabling event collection.

Table 2-41. HA_PCI_PMON_CTR{3-0} Register - Field Definitions

Field	Bits	Attr	HW Reset Val	Description
ig	63:48	RV	0	Ignored
event_count	47:0	RW-V	0	48-bit performance event counter



In addition to generic event counting, each HA provides a pair of Address Match registers and an Opcode Match register that allow a user to filter incoming packet traffic according to the packet Opcode, Message Class and Physical Address. The ADDR_OPC_MATCH.FILT event is provided to capture the filter match as an event. The fields are laid out as follows:

NOTE

Refer to Table 2-216, “Intel® QuickPath Interconnect Packet Message Classes” and Table 2-218, “Opcodes (Alphabetical Listing)” to determine the encodings of the HA OpcodeMatch Register field.

Table 2-42. HA_PCI_PMON_BOX_OPCODEMATCH Register - Field Definitions

Field	Bits	Attr	HW Reset Val	Description
ig	31:6	RV	0	Ignored
opc	5:0	RWS	0	Match to incoming opcode [5:4] are a 2b version of the Message Class representing AD Ring traffic 00 - HOMO 01 - HOM1 10 - NDR 11 - SNP [3:0] QPI Opcode - See Opcode Match by Message Class referred to in NOTE

Table 2-43. HA_PCI_PMON_BOX_ADDRMATCH1 Register - Field Definitions

Field	Bits	Attr	HW Reset Val	Description
ig	31:14	RV	0	Ignored
hi_addr	13:0	RWS	0	Match to this System Address - Most Significant 14b of cache aligned address [45:32]

NOTEHA_PCI_PMON_BOX_ADDRMATCH0 Register - Field Definitions

Field	Bits	HW Reset Val	HW Reset Val	Description
lo_addr	31:6	RWS	0	Match to this System Address - Least Significant 26b of cache aligned address [31:6]
ig	5:0	RV	0	Ignored

2.4.3 HA Performance Monitoring Events

The performance monitoring events within the HA include all events internal to the HA as well as events which track ring related activity at the HA ring stops. Internal events include the ability to track Directory Activity, Direct2Core Activity, iMC Read/Write Traffic, time spent dealing with Conflicts, etc.



- iMC RPQ/WPQ Events

Determine cycles the HA is stuck without credits in to the iMCs read/write queues.

2.4.3.1 On the Major HA Structures:

The 128-entry **TF** (Tracker File) holds all transactions that arrive in the HA from the time they arrive until they are completed and leave the HA. Transactions could stay in this structure much longer than they are needed. TF is the critical resource each transaction needs before being sent to the iMC (memory controller)

TF average occupancy == (valid cnt * 128 / cycles)

TF average latency == (valid cnt * 128 / inserts)

Other Internal HA Queues of Interest:

TxR (aka EGR) - The HA has Egress (responses) queues for each ring (AD, AK, BL) as well as queues to track credits the HA has to push traffic onto those rings.

2.4.4 HA Box Events Ordered By Code

The following table summarizes the directly measured HA Box events.

Symbol Name	Event Code	Ctrs	Max Inc/ Cyc	Description
CLOCKTICKS	0x00	0-3	1	uclks
REQUESTS	0x01	0-3	1	Read and Write Requests
CONFLICT_CYCLES	0x0b	0-3	1	Conflict Checks
DIRECTORY_LOOKUP	0x0c	0-3	1	Directory Lookups
DIRECTORY_UPDATE	0x0d	0-3	1	Directory Updates
TxR_AK	0x0e	0-3	1	Outbound Ring Transactions on AK
TxR_BL	0x10	0-3	1	Outbound DRS Ring Transactions to Cache
DIRECT2CORE_COUNT	0x11	0-3	1	Direct2Core Messages Sent
DIRECT2CORE_CYCLES_DISABLED	0x12	0-3	1	Cycles when Direct2Core was Disabled
DIRECT2CORE_TXN_OVERRIDE	0x13	0-3	1	Number of Reads that had Direct2Core Overridden
BYPASS_IMC	0x14	0-3	1	HA to iMC Bypass
RPQ_CYCLES_NO_REG_CREDITS	0x15	0-3	4	iMC RPQ Credits Empty - Regular
IMC_READS	0x17	0-3	4	HA to iMC Normal Priority Reads Issued
WPQ_CYCLES_NO_REG_CREDITS	0x18	0-3	4	HA iMC CHNO WPQ Credits Empty - Regular
IMC_WRITES	0x1a	0-3	1	HA to iMC Full Line Writes Issued
TAD_REQUESTS_G0	0x1b	0-3	2	HA Requests to a TAD Region - Group 0
TAD_REQUESTS_G1	0x1c	0-3	2	HA Requests to a TAD Region - Group 1
IMC_RETRY	0x1e	0-3	1	Retry Events
ADDR_OPC_MATCH	0x20	0-3	1	QPI Address/Opcode Match
SNOOP_RESP	0x21	0-3	1	Snoop Responses Received
IGR_NO_CREDIT_CYCLES	0x22	0-3	1	Cycles without QPI Ingress Credits



Symbol Name	Event Code	Ctrs	Max Inc/Cyc	Description
TxR_AD_CYCLES_FULL	0x2a	0-3	1	AD Egress Full
TxR_AK_CYCLES_FULL	0x32	0-3	1	AK Egress Full
TxR_BL_OCCUPANCY	0x34	0-3	20	BL Egress Occupancy
TxR_BL_CYCLES_FULL	0x36	0-3	1	BL Egress Full
RING_AD_USED	0x3e	0-3	1	HA AD Ring in Use
RING_AK_USED	0x3f	0-3	1	HA AK Ring in Use
RING_BL_USED	0x40	0-3	1	HA BL Ring in Use
DIRECTORY_LAT_OPT	0x41	0-3	1	Directory Lat Opt Return
BT_CYCLES_NE	0x42	0-3	1	BT Cycles Not Empty
BT_OCCUPANCY	0x43	0-3	512	BT Occupancy
BT_BYPASS	0x52	0-3	1	BT Bypass
OSB	0x53	0-3	1	OSB Snoop Broadcast
OSB_EDR	0x54	0-3	1	OSB Early Data Return
IODC_INSERTS	0x56	0-3	1	IODC Inserts
IODC_CONFLICTS	0x57	0-3	1	IODC Conflicts
IODC_OLEN_WBMTOI	0x58	0-3	1	Num IODC 0 Length Writes
IGR_CREDITS_AD_QPI2	0x59	0-3	1	AD QPI Link 2 Credit Accumulator
IGR_CREDITS_BL_QPI2	0x5a	0-3	1	BL QPI Link 2 Credit Accumulator
SNP_RESP_RECV_LOCAL	0x60	0-3	1	Snoop Responses Received Local

2.4.5 HA Box Common Metrics (Derived Events)

The following table summarizes metrics commonly calculated from HA Box events.

Symbol Name: Definition	Equation
PCT_CYCLES_BL_FULL: Percentage of time the BL Egress Queue is full	$TxR_BL_CYCLES_FULL.ALL / SAMPLE_INTERVAL$
PCT_CYCLES_D2C_DISABLED: Percentage of time that Direct2Core was disabled.	$DIRECT2CORE_CYCLES_DISABLED / SAMPLE_INTERVAL$
PCT_RD_REQUESTS: Percentage of HA traffic that is from Read Requests	$REQUESTS.READS / (REQUESTS.READS + REQUESTS.WRITEES)$
PCT_WR_REQUESTS: Percentage of HA traffic that is from Write Requests	$REQUESTS.WRITEES / (REQUESTS.READS + REQUESTS.WRITEES)$

2.4.6 HA Box Performance Monitor Event List

The section enumerates performance monitoring events for the HA Box.



ADDR_OPC_MATCH

- **Title:** QPI Address/Opcode Match
- **Category:** ADDR_OPCODE_MATCH Events
- **Event Code:** 0x20
- Max. Inc/Cyc.: 1, **Register Restrictions:** 0-3
- **Definition:**

Table 2-44. Unit Masks for ADDR_OPC_MATCH

Extension	umask [15:8]	Filter Dep	Description
ADDR	bxxxxxx1	HA_AddrMa tch0[31:6], HA_AddrMa tch1[13:0]	Address
OPC	bxxxxx1x	HA_Opcode Match[5:0]	Opcode
FILT	b0000011	HA_AddrMa tch0[31:6], HA_AddrMa tch1[13:0], HA_Opcode Match[5:0]	Address & Opcode Match
AD	bxxxx1xx	HA_Opcode Match[5:0]	AD Opcodes
BL	bxxxx1xxx	HA_Opcode Match[5:0]	BL Opcodes
AK	bxxx1xxxx	HA_Opcode Match[5:0]	AK Opcodes

BT_BYPASS

- **Title:** BT Bypass
- **Category:** BT (Backup Tracker) Events
- **Event Code:** 0x52
- Max. Inc/Cyc.: 1, **Register Restrictions:** 0-3
- **Definition:** Number of transactions that bypass the BT (fifo) to HT

BT_CYCLES_NE

- **Title:** BT Cycles Not Empty
- **Category:** BT (Backup Tracker) Events
- **Event Code:** 0x42
- Max. Inc/Cyc.: 1, **Register Restrictions:** 0-3
- **Definition:** Cycles the Backup Tracker (BT) is not empty. The BT is the actual HOM tracker in the processor.
- **NOTE:** Will not count case HT is empty and a Bypass happens.

BT_OCCUPANCY

- **Title:** BT Occupancy
- **Category:** BT (Backup Tracker) Events
- **Event Code:** 0x43
- Max. Inc/Cyc.: 512, **Register Restrictions:** 0-3
- **Definition:** Accumulates the occupancy of the HA BT pool in every cycle. This can be used with the "not empty" stat to calculate average queue occupancy or the "allocations" stat in order to calculate average queue latency. HA BTs are allocated as soon as a request enters the HA and is



released after the snoop response and data return (or post in the case of a write) and the response is returned on the ring.

Table 2-45. Unit Masks for BT_OCCUPANCY

Extension	umask [15:8]	Description
LOCAL	b00000001	Local
REMOTE	b00000010	Remote
READS_LOCAL	b00000100	Reads Local
READS_REMOTE	b00001000	Reads Remote
WRITES_LOCAL	b00010000	Writes Local
WRITES_REMOTE	b00100000	Writes Remote

BYPASS_IMC

- **Title:** HA to iMC Bypass
- **Category:** BYPASS Events
- **Event Code:** 0x14
- Max. Inc/Cyc: . 1, **Register Restrictions:** 0-3
- **Definition:** Counts the number of times when the HA was able to bypass was attempted. This is a latency optimization for situations when there is light loadings on the memory subsystem. This can be filtered by when the bypass was taken and when it was not.
- **NOTE:** Only read transactions use iMC bypass.

Table 2-46. Unit Masks for BYPASS_IMC

Extension	umask [15:8]	Description
TAKEN	bxxxxxxx1	Taken Filter for transactions that succeeded in taking the bypass.
NOT_TAKEN	bxxxxxxx1x	Not Taken Filter for transactions that could not take the bypass.

CLOCKTICKS

- **Title:** uclks
- **Category:** UCLK Events
- **Event Code:** 0x00
- Max. Inc/Cyc: . 1, **Register Restrictions:** 0-3
- **Definition:** Counts the number of uclks in the HA. This will be slightly different than the count in the Ubox because of enable/freeze delays. The HA is on the other side of the die from the fixed Ubox uclk counter, so the drift could be somewhat larger than in units that are closer like the QPI Agent.

CONFLICT_CYCLES

- **Title:** Conflict Checks
- **Category:** CONFLICTS Events
- **Event Code:** 0x0b
- Max. Inc/Cyc: . 1, **Register Restrictions:** 0-3
- **Definition:**



Table 2-47. Unit Masks for CONFLICT_CYCLES

Extension	umask [15:8]	Description
CONFLICT	bxxxxx1x	Conflict Detected Counts the number of cycles that we are handling conflicts.
LAST	bxxxxx1xx	Last in conflict chain Count every last conflict in conflict chain. Can be used to compute the average conflict chain length as (#Ackcnflts/#LastConflictor)+1. This can be used to give a feel for the conflict chain lengths while analyzing lock kernels.
ACKCNFLTS	bxxxx1xxx	Acknowledge Conflicts Count the number of Ackcnflts
CMP_FWDS	bxxx1xxxx	Cmp Fwds Count the number of Cmp_Fwd. This will give the number of late conflicts.

DIRECT2CORE_COUNT

- **Title:** Direct2Core Messages Sent
- **Category:** DIRECT2CORE Events
- **Event Code:** 0x11
- Max. Inc/Cyc.: 1, **Register Restrictions:** 0-3
- **Definition:** Number of Direct2Core messages sent
- **NOTE:** Will not be implemented since OUTBOUND_TX_BL:0x1 will count DRS to CORE which is effectively the same thing as D2C count.

DIRECT2CORE_CYCLES_DISABLED

- **Title:** Cycles when Direct2Core was Disabled
- **Category:** DIRECT2CORE Events
- **Event Code:** 0x12
- Max. Inc/Cyc.: 1, **Register Restrictions:** 0-3
- **Definition:** Number of cycles in which Direct2Core was disabled

DIRECT2CORE_TXN_OVERRIDE

- **Title:** Number of Reads that had Direct2Core Overridden
- **Category:** DIRECT2CORE Events
- **Event Code:** 0x13
- Max. Inc/Cyc.: 1, **Register Restrictions:** 0-3
- **Definition:** Number of Reads where Direct2Core overridden

DIRECTORY_LAT_OPT

- **Title:** Directory Lat Opt Return
- **Category:** DIRECTORY Events
- **Event Code:** 0x41
- Max. Inc/Cyc.: 1, **Register Restrictions:** 0-3
- **Definition:** Directory Latency Optimization Data Return Path Taken. When directory mode is enabled and the directory returned for a read is Dir=I, then data can be returned using a faster path if certain conditions are met (credits, free pipeline, etc).



DIRECTORY_LOOKUP

- **Title:** Directory Lookups
- **Category:** DIRECTORY Events
- **Event Code:** 0x0c
- Max. Inc/Cyc: . 1, **Register Restrictions:** 0-3
- **Definition:** Counts the number of transactions that looked up the directory. Can be filtered by requests that had to snoop and those that did not have to.
- **NOTE:** Only valid for parts that implement the Directory.

Table 2-48. Unit Masks for DIRECTORY_LOOKUP

Extension	umask [15:8]	Description
SNP	bxxxxxx1	Snoop Needed Filters for transactions that had to send one or more snoops because the directory bit was set.
NO_SNP	bxxxxxx1x	Snoop Not Needed Filters for transactions that did not have to send any snoops because the directory bit was clear.

DIRECTORY_UPDATE

- **Title:** Directory Updates
- **Category:** DIRECTORY Events
- **Event Code:** 0x0d
- Max. Inc/Cyc: . 1, **Register Restrictions:** 0-3
- **Definition:** Counts the number of directory updates that were required. These result in writes to the memory controller. This can be filtered by directory sets and directory clears.
- **NOTE:** Only valid for parts that implement the Directory.

Table 2-49. Unit Masks for DIRECTORY_UPDATE

Extension	umask [15:8]	Description
SET	bxxxxxx1	Directory Set Filter for directory sets. This occurs when a remote read transaction requests memory, bringing it to a remote cache.
CLEAR	bxxxxxx1x	Directory Clear Filter for directory clears. This occurs when snoops were sent and all returned with Rspl.
ANY	bxxxxxx11	Any Directory Update

IGR_CREDITS_AD_QPI2

- **Title:** AD QPI Link 2 Credit Accumulator
- **Category:** QPI_IGR_CREDITS Events
- **Event Code:** 0x59
- Max. Inc/Cyc: . 1, **Register Restrictions:** 0-3
- **Definition:** Accumulates the number of credits available to the QPI Link 2 AD Ingress buffer.

IGR_CREDITS_BL_QPI2

- **Title:** BL QPI Link 2 Credit Accumulator
- **Category:** QPI_IGR_CREDITS Events
- **Event Code:** 0x5a
- Max. Inc/Cyc: . 1, **Register Restrictions:** 0-3



- **Definition:** Accumulates the number of credits available to the QPI Link 2 BL Ingress buffer.

IGR_NO_CREDIT_CYCLES

- **Title:** Cycles without QPI Ingress Credits
- **Category:** QPI_IGR_CREDITS Events
- **Event Code:** 0x22
- Max. Inc/Cyc.: 1, **Register Restrictions:** 0-3
- **Definition:** Counts the number of cycles when the HA does not have credits to send messages to the QPI Agent. This can be filtered by the different credit pools and the different links.

Table 2-50. Unit Masks for IGR_NO_CREDIT_CYCLES

Extension	umask [15:8]	Description
AD_QPI0	bxxxxxxx1	AD to QPI Link 0
AD_QPI1	bxxxxxx1x	AD to QPI Link 1
BL_QPI0	bxxxxx1xx	BL to QPI Link 0
BL_QPI1	bxxxx1xxx	BL to QPI Link 1

IMC_READS

- **Title:** HA to iMC Normal Priority Reads Issued
- **Category:** IMC_READS Events
- **Event Code:** 0x17
- Max. Inc/Cyc.: 4, **Register Restrictions:** 0-3
- **Definition:** Count of the number of reads issued to any of the memory controller channels. This can be filtered by the priority of the reads.
- **NOTE:** Does not count reads using the bypass path. That is counted separately in HA_IMC.BYPASS.

Table 2-51. Unit Masks for IMC_READS

Extension	umask [15:8]	Description
NORMAL	b00000001	Normal Priority

IMC_RETRY

- **Title:** Retry Events
- **Category:** IMC_MISC Events
- **Event Code:** 0x1e
- Max. Inc/Cyc.: 1, **Register Restrictions:** 0-3
- **Definition:**

IMC_WRITES

- **Title:** HA to iMC Full Line Writes Issued
- **Category:** IMC_WRITES Events
- **Event Code:** 0x1a
- Max. Inc/Cyc.: 1, **Register Restrictions:** 0-3
- **Definition:** Counts the total number of full line writes issued from the HA into the memory controller. This counts for all four channels. It can be filtered by full/partial and ISOCH/non-ISOCH.



Table 2-52. Unit Masks for IMC_WRITES

Extension	umask [15:8]	Description
FULL	bxxxxxxx1	Full Line Non-ISOCH
PARTIAL	bxxxxxx1x	Partial Non-ISOCH
FULL_ISOCH	bxxxxx1xx	ISOCH Full Line
PARTIAL_ISOCH	bxxxx1xxx	ISOCH Partial
ALL	b00001111	All Writes

IODC_CONFLICTS

- **Title:** IODC Conflicts
- **Category:** IODC Events
- **Event Code:** 0x57
- Max. Inc/Cyc: . 1, **Register Restrictions:** 0-3
- **Definition:**

Table 2-53. Unit Masks for IODC_CONFLICTS

Extension	umask [15:8]	Description
ANY	bxxxxxxx1	Any Conflict
LAST	bxxxxx1xx	Last Conflict

IODC_INSERTS

- **Title:** IODC Inserts
- **Category:** IODC Events
- **Event Code:** 0x56
- Max. Inc/Cyc: . 1, **Register Restrictions:** 0-3
- **Definition:** IODC Allocations

IODC_OLEN_WBMTOI

- **Title:** Num IODC 0 Length Writes
- **Category:** IODC Events
- **Event Code:** 0x58
- Max. Inc/Cyc: . 1, **Register Restrictions:** 0-3
- **Definition:** Num IODC 0 Length Writebacks M to I - All of which are dropped.

OSB

- **Title:** OSB Snoop Broadcast
- **Category:** OSB (Opportunistic Snoop Broadcast) Events
- **Event Code:** 0x53
- Max. Inc/Cyc: . 1, **Register Restrictions:** 0-3
- **Definition:** Count of OSB snoop broadcasts. Counts by 1 per request causing OSB snoops to be broadcast. Does not count all the snoops generated by OSB.



Table 2-54. Unit Masks for OSB

Extension	umask [15:8]	Description
READS_LOCAL	bxxxxx1x	Local Reads
INVITOE_LOCAL	bxxxx1xx	Local InvItoE
REMOTE	bxxx1xxx	Remote

OSB_EDR

- **Title:** OSB Early Data Return
- **Category:** OSB (Opportunistic Snoop Broadcast) Events
- **Event Code:** 0x54
- Max. Inc/Cyc.: 1, **Register Restrictions:** 0-3
- **Definition:** Counts the number of transactions that broadcast snoop due to OSB, but found clean data in memory and was able to do early data return

Table 2-55. Unit Masks for OSB_EDR

Extension	umask [15:8]	Description
ALL	bxxxxxxx1	All
READS_LOCAL_I	bxxxxx1x	Reads to Local I
READS_REMOTE_I	bxxxx1xx	Reads to Remote I
READS_LOCAL_S	bxxx1xxx	Reads to Local S
READS_REMOTE_S	bxxx1xxx	Reads to Remote S

REQUESTS

- **Title:** Read and Write Requests
- **Category:** TRACKER Events
- **Event Code:** 0x01
- Max. Inc/Cyc.: 1, **Register Restrictions:** 0-3
- **Definition:** Counts the total number of read requests made into the Home Agent. Reads include all read opcodes (including RFO). Writes include all writes (streaming, evictions, HitM, etc).

Table 2-56. Unit Masks for REQUESTS

Extension	umask [15:8]	Description
READS_LOCAL	bxxxxxxx1	Local Reads This filter includes only read requests coming from the local socket. This is a good proxy for LLC Read Misses (including RFOs) from the local socket.
READS_REMOTE	bxxxxx1x	Remote Reads This filter includes only read requests coming from the remote socket. This is a good proxy for LLC Read Misses (including RFOs) from the remote socket.
READS	b00000011	Reads Incoming read requests. This is a good proxy for LLC Read Misses (including RFOs).
WRITES_LOCAL	bxxxx1xx	Local Writes This filter includes only writes coming from the local socket.
WRITES_REMOTE	bxxx1xxx	Remote Writes This filter includes only writes coming from remote sockets.



Table 2-56. Unit Masks for REQUESTS

Extension	umask [15:8]	Description
WRITES	b00001100	Writes Incoming write requests.
INVITOE_LOCAL	bxxx1xxxx	Local InvItoEs This filter includes only InvItoEs coming from the local socket.
INVITOE_REMOTE	bxx1xxxxx	Remote InvItoEs This filter includes only InvItoEs coming from remote sockets.

RING_AD_USED

- **Title:** HA AD Ring in Use
- **Category:** RING Events
- **Event Code:** 0x3e
- Max. Inc/Cyc: . 1, **Register Restrictions:** 0-3
- **Definition:** Counts the number of cycles that the AD ring is being used at this ring stop. This includes when packets are passing by and when packets are being sunk, but does not include when packets are being sent from the ring stop.
- **NOTE:** On a 2 column implementation (e.g. 10C) CW_EVEN is actually CW_VR0_EVEN+CW_VR1_EVEN (similarly for CCW/ODD). In any cycle, a ring stop can see up to one packet moving in the CW direction and one packet moving in the CCW direction.

Table 2-57. Unit Masks for RING_AD_USED

Extension	umask [15:8]	Description
CW_VR0_EVEN	bxxxxxxx1	Clockwise and Even on VRing 0 Filters for the Clockwise and Even ring polarity on Virtual Ring 0.
CW_VR0_ODD	bxxxxxx1x	Clockwise and Odd on VRing 0 Filters for the Clockwise and Odd ring polarity on Virtual Ring 0.
CCW_VR0_EVEN	bxxxx1xx	Counterclockwise and Even on VRing 0 Filters for the Counterclockwise and Even ring polarity on Virtual Ring 0.
CCW_VR0_ODD	bxxxx1xxx	Counterclockwise and Odd on VRing 0 Filters for the Counterclockwise and Odd ring polarity on Virtual Ring 0.
CW_VR1_EVEN	bxxx1xxxx	Clockwise and Even on VRing 1 Filters for the Clockwise and Even ring polarity on Virtual Ring 1.
CW_VR1_ODD	bxx1xxxxx	Clockwise and Odd on VRing 1 Filters for the Clockwise and Odd ring polarity on Virtual Ring 1.
CW	b00110011	Clockwise
CCW_VR1_EVEN	bx1xxxxxx	Counterclockwise and Even on VRing 1 Filters for the Counterclockwise and Even ring polarity on Virtual Ring 1.
CCW_VR1_ODD	b1xxxxxxx	Counterclockwise and Odd on VRing 1 Filters for the Counterclockwise and Odd ring polarity on Virtual Ring 1.
CCW	b11001100	Counterclockwise

RING_AK_USED

- **Title:** HA AK Ring in Use
- **Category:** RING Events
- **Event Code:** 0x3f
- Max. Inc/Cyc: . 1, **Register Restrictions:** 0-3



- **Definition:** Counts the number of cycles that the AK ring is being used at this ring stop. This includes when packets are passing by and when packets are being sunk, but does not include when packets are being sent from the ring stop.
- **NOTE:** On a 2 column implementation (e.g. 10C) CW_EVEN is actually CW_VR0_EVEN+CW_VR1_EVEN (similarly for CCW/ODD). In any cycle, a ring stop can see up to one packet moving in the CW direction and one packet moving in the CCW direction.

Table 2-58. Unit Masks for RING_AK_USED

Extension	umask [15:8]	Description
CW_VR0_EVEN	bxxxxxx1	Clockwise and Even on VRing 0 Filters for the Clockwise and Even ring polarity on Virtual Ring 0.
CW_VR0_ODD	bxxxxx1x	Clockwise and Odd on VRing 0 Filters for the Clockwise and Odd ring polarity on Virtual Ring 0.
CCW_VR0_EVEN	bxxxx1xx	Counterclockwise and Even on VRing 0 Filters for the Counterclockwise and Even ring polarity on Virtual Ring 0.
CCW_VR0_ODD	bxxx1xxx	Counterclockwise and Odd on VRing 0 Filters for the Counterclockwise and Odd ring polarity on Virtual Ring 0.
CW_VR1_EVEN	bxxx1xxxx	Clockwise and Even on VRing 1 Filters for the Clockwise and Even ring polarity on Virtual Ring 1.
CW_VR1_ODD	bxx1xxxx	Clockwise and Odd on VRing 1 Filters for the Clockwise and Odd ring polarity on Virtual Ring 1.
CW	b00110011	Clockwise
CCW_VR1_EVEN	bx1xxxxx	Counterclockwise and Even on VRing 1 Filters for the Counterclockwise and Even ring polarity on Virtual Ring 1.
CCW_VR1_ODD	b1xxxxxx	Counterclockwise and Odd on VRing 1 Filters for the Counterclockwise and Odd ring polarity on Virtual Ring 1.
CCW	b11001100	Counterclockwise

RING_BL_USED

- **Title:** HA BL Ring in Use
- **Category:** RING Events
- **Event Code:** 0x40
- Max. Inc/Cyc.: 1, **Register Restrictions:** 0-3
- **Definition:** Counts the number of cycles that the BL ring is being used at this ring stop. This includes when packets are passing by and when packets are being sunk, but does not include when packets are being sent from the ring stop.
- **NOTE:** On a 2 column implementation (e.g. 10C) CW_EVEN is actually CW_VR0_EVEN+CW_VR1_EVEN (similarly for CCW/ODD). In any cycle, a ring stop can see up to one packet moving in the CW direction and one packet moving in the CCW direction.

Table 2-59. Unit Masks for RING_BL_USED

Extension	umask [15:8]	Description
CW_VR0_EVEN	bxxxxxx1	Clockwise and Even on VRing 0 Filters for the Clockwise and Even ring polarity on Virtual Ring 0.
CW_VR0_ODD	bxxxxx1x	Clockwise and Odd on VRing 0 Filters for the Clockwise and Odd ring polarity on Virtual Ring 0.
CCW_VR0_EVEN	bxxxx1xx	Counterclockwise and Even on VRing 0 Filters for the Counterclockwise and Even ring polarity on Virtual Ring 0.



Table 2-59. Unit Masks for RING_BL_USED

Extension	umask [15:8]	Description
CCW_VR0_ODD	bxxxx1xxx	Counterclockwise and Odd on VRing 0 Filters for the Counterclockwise and Odd ring polarity on Virtual Ring 0.
CW_VR1_EVEN	bxxx1xxxx	Clockwise and Even on VRing 1 Filters for the Clockwise and Even ring polarity on Virtual Ring 1.
CW_VR1_ODD	bxx1xxxxx	Clockwise and Odd on VRing 1 Filters for the Clockwise and Odd ring polarity on Virtual Ring 1.
CW	b00110011	Clockwise
CCW_VR1_EVEN	bx1xxxxxx	Counterclockwise and Even on VRing 1 Filters for the Counterclockwise and Even ring polarity on Virtual Ring 1.
CCW_VR1_ODD	b1xxxxxxx	Counterclockwise and Odd on VRing 1 Filters for the Counterclockwise and Odd ring polarity on Virtual Ring 1.
CCW	b11001100	Counterclockwise

RPO_CYCLES_NO_REG_CREDITS

- **Title:** iMC RPQ Credits Empty - Regular
- **Category:** RPO_CREDITS Events
- **Event Code:** 0x15
- Max. Inc/Cyc: . 4, **Register Restrictions:** 0-3
- **Definition:** Counts the number of cycles when there are no “regular” credits available for posting reads from the HA into the iMC. In order to send reads into the memory controller, the HA must first acquire a credit for the iMC’s RPQ (read pending queue). This queue is broken into regular credits/buffers that are used by general reads, and “special” requests such as ISOCH reads. This count only tracks the regular credits. Common high bandwidth workloads should be able to make use of all of the regular buffers, but it will be difficult (and uncommon) to make use of both the regular and special buffers at the same time. One can filter based on the memory controller channel. One or more channels can be tracked at a given time.

Table 2-60. Unit Masks for RPO_CYCLES_NO_REG_CREDITS

Extension	umask [15:8]	Description
CHN0	b00000001	Channel 0 Filter for memory controller channel 0 only.
CHN1	b00000010	Channel 1 Filter for memory controller channel 1 only.
CHN2	b00000100	Channel 2 Filter for memory controller channel 2 only.
CHN3	b00001000	Channel 3 Filter for memory controller channel 3 only.

SNOOP_RESP

- **Title:** Snoop Responses Received
- **Category:** SNP_RESP Events
- **Event Code:** 0x21
- Max. Inc/Cyc: . 1, **Register Restrictions:** 0-3
- **Definition:** Counts the total number of RspI snoop responses received. Whenever a snoop is issued, one or more snoop responses will be returned depending on the topology of the system. In systems larger than 2s, when multiple snoops are returned this will count all the snoops that are received. For example, if 3 snoops were issued and returned RspI, RspS, and RspSFwd; then each of these sub-events would increment by 1.



Table 2-61. Unit Masks for SNOOP_RESP

Extension	umask [15:8]	Description
RSPi	bxxxxxx1	RspI Filters for snoops responses of RspI. RspI is returned when the remote cache does not have the data, or when the remote cache silently evicts data (such as when an RFO hits non-modified data).
RSPS	bxxxxx1x	RspS Filters for snoop responses of RspS. RspS is returned when a remote cache has data but is not forwarding it. It is a way to let the requesting socket know that it cannot allocate the data in E state. No data is sent with S RspS.
RSPiFWD	bxxxxx1xx	RspIFwd Filters for snoop responses of RspIFwd. This is returned when a remote caching agent forwards data and the requesting agent is able to acquire the data in E or M states. This is commonly returned with RFO transactions. It can be either a HitM or a HitFE.
RSPSFWD	bxxxx1xxx	RspSFwd Filters for a snoop response of RspSFwd. This is returned when a remote caching agent forwards data but holds on to its current copy. This is common for data and code reads that hit in a remote socket in E or F state.
RSP_WB	bxxx1xxxx	Rsp*WB Filters for a snoop response of RspIWB or RspSWB. This is returned when a non-RFO request hits in M state. Data and Code Reads can return either RspIWB or RspSWB depending on how the system has been configured. InvltoE transactions will also return RspIWB because they must acquire ownership.
RSP_FWD_WB	bxx1xxxxx	Rsp*Fwd*WB Filters for a snoop response of Rsp*Fwd*WB. This snoop response is only used in 4s systems. It is used when a snoop HITM's in a remote caching agent and it directly forwards data to a requestor, and simultaneously returns data to the home to be written back to memory.
RSPCNFLCT	bx1xxxxxx	RSPCNFLCT* Filters for snoops responses of RspConflict. This is returned when a snoop finds an existing outstanding transaction in a remote caching agent when it CAMs that caching agent. This triggers conflict resolution hardware. This covers both RspCnflct and RspCnflctWbl.

SNP_RESP_RECV_LOCAL

- **Title:** Snoop Responses Received Local
- **Category:** SNP_RESP Events
- **Event Code:** 0x60
- Max. Inc/Cyc.: 1, **Register Restrictions:** 0-3
- **Definition:** Number of snoop responses received for a Local request



Table 2-62. Unit Masks for SNP_RESP_RECV_LOCAL

Extension	umask [15:8]	Description
RSPi	bxxxxxx1	RspI Filters for snoops responses of RspI. RspI is returned when the remote cache does not have the data, or when the remote cache silently evicts data (such as when an RFO hits non-modified data).
RSPS	bxxxxx1x	RspS Filters for snoop responses of RspS. RspS is returned when a remote cache has data but is not forwarding it. It is a way to let the requesting socket know that it cannot allocate the data in E state. No data is sent with S RspS.
RSPiFWD	bxxxx1xx	RspIFwd Filters for snoop responses of RspIFwd. This is returned when a remote caching agent forwards data and the requesting agent is able to acquire the data in E or M states. This is commonly returned with RFO transactions. It can be either a HitM or a HitFE.
RSPSFWD	bxxxx1xxx	RspSFwd Filters for a snoop response of RspSFwd. This is returned when a remote caching agent forwards data but holds on to its current copy. This is common for data and code reads that hit in a remote socket in E or F state.
RSPxWB	bxxx1xxxx	Rsp*WB Filters for a snoop response of RspIWB or RspSWB. This is returned when a non-RFO request hits in M state. Data and Code Reads can return either RspIWB or RspSWB depending on how the system has been configured. InvItoE transactions will also return RspIWB because they must acquire ownership.
RSPxFWDxWB	bxx1xxxxx	Rsp*FWD*WB Filters for a snoop response of Rsp*Fwd*WB. This snoop response is only used in 4s systems. It is used when a snoop HITM's in a remote caching agent and it directly forwards data to a requestor, and simultaneously returns data to the home to be written back to memory.
RSPCNFLCT	bx1xxxxxx	RspCnflct Filters for snoops responses of RspConflict. This is returned when a snoop finds an existing outstanding transaction in a remote caching agent when it CAMs that caching agent. This triggers conflict resolution hardware. This covers both RspCnflct and RspCnflctWbl.
OTHER	b1xxxxxxx	Other Filters for all other snoop responses.

TAD_REQUESTS_GO

- **Title:** HA Requests to a TAD Region - Group 0
- **Category:** TAD Events
- **Event Code:** 0x1b
- Max. Inc/Cyc: 2, **Register Restrictions:** 0-3
- **Definition:** Counts the number of HA requests to a given TAD region. There are up to 11 TAD (target address decode) regions in each home agent. All requests destined for the memory controller must first be decoded to determine which TAD region they are in. This event is filtered based on the TAD region ID, and covers regions 0 to 7. This event is useful for understanding how applications are using the memory that is spread across the different memory regions. It is particularly useful for "Monroe" systems that use the TAD to enable individual channels to enter self-refresh to save power.



Table 2-63. Unit Masks for TAD_REQUESTS_G0

Extension	umask [15:8]	Description
REGION0	b00000001	TAD Region 0 Filters request made to TAD Region 0
REGION1	b00000010	TAD Region 1 Filters request made to TAD Region 1
REGION2	b00000100	TAD Region 2 Filters request made to TAD Region 2
REGION3	b00001000	TAD Region 3 Filters request made to TAD Region 3
REGION4	b00010000	TAD Region 4 Filters request made to TAD Region 4
REGION5	b00100000	TAD Region 5 Filters request made to TAD Region 5
REGION6	b01000000	TAD Region 6 Filters request made to TAD Region 6
REGION7	b10000000	TAD Region 7 Filters request made to TAD Region 7

TAD_REQUESTS_G1

- **Title:** HA Requests to a TAD Region - Group 1
- **Category:** TAD Events
- **Event Code:** 0x1c
- Max. Inc/Cyc.: 2, **Register Restrictions:** 0-3
- **Definition:** Counts the number of HA requests to a given TAD region. There are up to 11 TAD (target address decode) regions in each home agent. All requests destined for the memory controller must first be decoded to determine which TAD region they are in. This event is filtered based on the TAD region ID, and covers regions 8 to 10. This event is useful for understanding how applications are using the memory that is spread across the different memory regions. It is particularly useful for “Monroe” systems that use the TAD to enable individual channels to enter self-refresh to save power.

Table 2-64. Unit Masks for TAD_REQUESTS_G1

Extension	umask [15:8]	Description
REGION8	b00000001	TAD Region 8 Filters request made to TAD Region 8
REGION9	b00000010	TAD Region 9 Filters request made to TAD Region 9
REGION10	b00000100	TAD Region 10 Filters request made to TAD Region 10
REGION11	b00001000	TAD Region 11 Filters request made to TAD Region 11

TxR_AD_CYCLES_FULL

- **Title:** AD Egress Full
- **Category:** EGRESS Events
- **Event Code:** 0x2a
- Max. Inc/Cyc.: 1, **Register Restrictions:** 0-3
- **Definition:** AD Egress Full



Table 2-65. Unit Masks for TxR_AD_CYCLES_FULL

Extension	umask [15:8]	Description
SCHED0	bxxxxxxx1	Scheduler 0 Filter for cycles full from scheduler bank 0
SCHED1	bxxxxxxx1x	Scheduler 1 Filter for cycles full from scheduler bank 1
ALL	bxxxxxxx11	All Cycles full from both schedulers

TxR_AK

- **Title:** Outbound Ring Transactions on AK
- **Category:** OUTBOUND_TX Events
- **Event Code:** 0x0e
- Max. Inc/Cyc: . 1, **Register Restrictions:** 0-3
- **Definition:**

TxR_AK_CYCLES_FULL

- **Title:** AK Egress Full
- **Category:** EGRESS Events
- **Event Code:** 0x32
- Max. Inc/Cyc: . 1, **Register Restrictions:** 0-3
- **Definition:** AK Egress Full

Table 2-66. Unit Masks for TxR_AK_CYCLES_FULL

Extension	umask [15:8]	Description
SCHED0	bxxxxxxx1	Scheduler 0 Filter for cycles full from scheduler bank 0
SCHED1	bxxxxxxx1x	Scheduler 1 Filter for cycles full from scheduler bank 1
ALL	bxxxxxxx11	All Cycles full from both schedulers

TxR_BL

- **Title:** Outbound DRS Ring Transactions to Cache
- **Category:** OUTBOUND_TX Events
- **Event Code:** 0x10
- Max. Inc/Cyc: . 1, **Register Restrictions:** 0-3
- **Definition:** Counts the number of DRS messages sent out on the BL ring. This can be filtered by the destination.

Table 2-67. Unit Masks for TxR_BL

Extension	umask [15:8]	Description
DRS_CACHE	bxxxxxxx1	Data to Cache Filter for data being sent to the cache.



Table 2-67. Unit Masks for TxR_BL

Extension	umask [15:8]	Description
DRS_CORE	bxxxxxx1x	Data to Core Filter for data being sent directly to the requesting core.
DRS_QPI	bxxxxxx1xx	Data to QPI Filter for data being sent to a remote socket over QPI.

TxR_BL_CYCLES_FULL

- **Title:** BL Egress Full
- **Category:** EGRESS Events
- **Event Code:** 0x36
- Max. Inc/Cyc.: 1, **Register Restrictions:** 0-3
- **Definition:** BL Egress Full

Table 2-68. Unit Masks for TxR_BL_CYCLES_FULL

Extension	umask [15:8]	Description
SCHED0	bxxxxxxx1	Scheduler 0 Filter for cycles full from scheduler bank 0
SCHED1	bxxxxxx1x	Scheduler 1 Filter for cycles full from scheduler bank 1
ALL	bxxxxxx11	All Cycles full from both schedulers

TxR_BL_OCCUPANCY

- **Title:** BL Egress Occupancy
- **Category:** BL_EGRESS Events
- **Event Code:** 0x34
- Max. Inc/Cyc.: 20, **Register Restrictions:** 0-3
- **Definition:** BL Egress Occupancy

Table 2-69. Unit Masks for TxR_BL_OCCUPANCY

Extension	umask [15:8]	Description
SCHED0	b00000001	Scheduler 0 Filter for occupancy from scheduler bank 0
SCHED1	b00000010	Scheduler 1 Filter for occupancy from scheduler bank 1

WPQ_CYCLES_NO_REG_CREDITS

- **Title:** HA iMC CHN0 WPQ Credits Empty - Regular
- **Category:** WPQ_CREDITS Events
- **Event Code:** 0x18
- Max. Inc/Cyc.: 4, **Register Restrictions:** 0-3
- **Definition:** Counts the number of cycles when there are no “regular” credits available for posting writes from the HA into the iMC. In order to send writes into the memory controller, the HA must first acquire a credit for the iMC’s WPQ (write pending queue). This queue is broken into regular credits/buffers that are used by general writes, and “special” requests such as ISOCH writes. This count only tracks the regular credits Common high bandwidth workloads should be able to make use of all of the regular buffers, but it will be difficult (and uncommon) to make use of both the



regular and special buffers at the same time. One can filter based on the memory controller channel. One or more channels can be tracked at a given time.

Table 2-70. Unit Masks for WPQ_CYCLES_NO_REG_CREDITS

Extension	umask [15:8]	Description
CHN0	b00000001	Channel 0 Filter for memory controller channel 0 only.
CHN1	b00000010	Channel 1 Filter for memory controller channel 1 only.
CHN2	b00000100	Channel 2 Filter for memory controller channel 2 only.
CHN3	b00001000	Channel 3 Filter for memory controller channel 3 only.

2.5 MEMORY CONTROLLER (iMC) PERFORMANCE MONITORING

2.5.1 Overview of the iMC

The integrated Memory Controller provides the interface to DRAM and communicates to the rest of the uncore through the Home Agent (i.e. the iMC does not connect to the Ring).

In conjunction with the HA, the memory controller also provides a variety of RAS features, such as ECC, lockstep, memory access retry, memory scrubbing, thermal throttling, mirroring, and rank sparing.

2.5.2 Functional Overview

The memory controller is the interface between the home Home Agent (HA) and DRAM, translating read and write commands into specific memory commands and schedules them with respect to memory timing. The other main function of the memory controller is advanced ECC support.

Because of the data path affinity to the HA data path, the HA is paired with the memory controller.

The uncore of Ivy Bridge-EP microarchitecture can support up to four channels of DDR3 or metaRAM. For DDR3, the number of DIMMs per channel depends on the speed it is running and the package.

- Three or four DDR3 memory channels
- DIMM technologies supported
 - UDIMM DDR3 - SR - x8 and x16 data widths; DR - x8, data width
 - RDIMM DDR3 - SR, DR and QR - x4 and x8 data widths
 - LRDIMM DDR3 - QR; x4 and x8 data width with direct map or with rank multiplication
- DRAM speeds supported - 800, 1067, 1333, 1600 and 1867 MT/s
- Supports up to maximum of eight ranks per channel
- Supports ECC RDIMM and LRDIMM and both ECC and non-ECC UDIMMS
- Processors supporting 4 memory channels pair channel 0 & 1 and channel 2 & 3 for lockstep mode; otherwise the processor pairs channels 2 & 3 only.
- Processor supporting 4 memory channels also support channel 0 & 1 mirroring as well as channel 2 & 3 mirroring; otherwise the processor only supports channels 2 & 3 mirroring.
- Support for unbuffered DDR3 and registered DDR3
- Up to four independent DDR3 channels



- Eight independent banks per rank
- Support for DDR3 frequencies of 800,1067, 1333, 1600 GT/s. The speed achievable is dependent on the number of DIMMs per channel.
- Up to three DIMMs per channel (depends on the speed)
- Support for 512 Mb, 1Gb, 2Gb, and 4Gb DIMMs
- Support for x4, x8 and x16 data lines per native DDR3 device
- ECC support (correct any error within a x4 device)
- Lockstep support for x8 chipfail
- Open or closed page policy
- Channel Mirroring per socket
- Demand and Patrol Scrubbing support
- Memory Initialization
- Poisoning Support
- Support for LR-DIMMs (load reduced) for a buffered memory solution demanding higher capacity memory subsystems.
- Support for low voltage DDR3 (LV-DDR3, 1.35V)

2.5.3 iMC Performance Monitoring Overview

The iMC supports event monitoring through four 48-bit wide counters (MC_CHy_PCI_PMON_CTR{3:0}) and one fixed counter (MC_CHy_PCI_PMON_FIXED_CTR) for each DRAM channel (of which there are 4) the MC is attached to. Each of these counters can be programmed (MC_CHy_PCI_PMON_CTL{3:0}) to capture any MC event. The MC counters will increment by a maximum of 8b per cycle.

For information on how to setup a monitoring session, refer to Section 2.1, “Uncore Per-Socket Performance Monitoring Control”.

2.5.3.1 iMC PMON Registers - On Overflow and the Consequences (PMI/Freeze)

If an overflow is detected from an MC performance counter enabled to communicate its overflow (MC_CHy_PCI_PMON_CTL.ov_en is set to 1), the overflow bit is set at the box level (MC_CHy_PCI_PMON_BOX_STATUS.ov) and an overflow message is sent to the UBox. When the UBox receives the overflow signal, the U_MSR_PMON_GLOBAL_STATUS.ov_m bit overflow is set (see Table 2-3, “U_MSR_PMON_GLOBAL_STATUS Register – Field Definitions”) and a PMI can be generated.

Once a freeze has occurred, in order to see a new freeze, the overflow field responsible for the freeze, must be cleared by setting the corresponding bit in MC_PCI_PMON_BOX_STATUS.ov and U_MSR_PMON_GLOBAL_STATU.ov_m. Assuming all the counters have been locally enabled (.en bit in data registers meant to monitor events) and the overflow bit(s) has been cleared, the iMC is prepared for a new sample interval. Once the global controls have been re-enabled (Section 2.1.4, “Enabling a New Sample Interval from Frozen Counters”), counting will resume.



2.5.4 iMC Performance Monitors

Table 2-71. iMC Performance Monitoring MSRs

Register Name	PCICFG Address	Size (bits)	Description
PCICFG Base Address	Dev:Func		
MC0 Channel 0 PMON Registers	D16:F4		
MC0 Channel 1 PMON Registers	D16:F5		
MC0 Channel 2 PMON Registers	D16:F0		
MC0 Channel 3 PMON Registers	D16:F1		
MC1 Channel 0 PMON Registers	D30:F4		
MC1 Channel 1 PMON Registers	D30:F5		
MC1 Channel 2 PMON Registers	D30:F0		
MC1 Channel 3 PMON Registers	D30:F1		
Box-Level Control/Status			
MC_CHy_PCI_PMON_BOX_STATUS	F8	32	MC Channel y PMON Box-Wide Status
MC_CHy_PCI_PMON_BOX_CTL	F4	32	MC Channel y PMON Box-Wide Control
Generic Counter Control			
MC_CHy_PCI_PMON_FIXED_CTL	F0	32	MC Channel y PMON Control for Fixed Counter
MC_CHy_PCI_PMON_CTL3	E4	32	MC Channel y PMON Control for Counter 3
MC_CHy_PCI_PMON_CTL2	E0	32	MC Channel y PMON Control for Counter 2
MC_CHy_PCI_PMON_CTL1	DC	32	MC Channel y PMON Control for Counter 1
MC_CHy_PCI_PMON_CTL0	D8	32	MC Channel y PMON Control for Counter 0
Generic Counters			
MC_CHy_PCI_PMON_FIXED_CTR	D4+D0	32x2	MC Channel y PMON Fixed Counter
MC_CHy_PCI_PMON_CTR3	BC+B8	32x2	MC Channel y PMON Counter 3
MC_CHy_PCI_PMON_CTR2	B4+B0	32x2	MC Channel y PMON Counter 2
MC_CHy_PCI_PMON_CTR1	AC+A8	32x2	MC Channel y PMON Counter 1
MC_CHy_PCI_PMON_CTR0	A4+A0	32x2	MC Channel y PMON Counter 0

2.5.4.1 MC Box Level PMON State

The following registers represent the state governing all box-level PMUs in the MC Boxes.

In the case of the MC, the MC_CHy_PCI_PMON_BOX_CTL register provides the ability to manually freeze the counters in the box (*.frz*) and reset the generic state (*.rst_ctrs* and *.rst_ctrl*).

If an overflow is detected from one of the MC Box PMON registers, the corresponding bit in the MC_CHy_PCI_PMON_BOX_STATUS.ov field will be set. To reset these overflow bits, a user must write a value of '1' to them (which will clear the bits).



Table 2-72. MC_CHy_PCI_PMON_BOX_CTL Register - Field Definitions

Field	Bits	Attr	HW Reset Val	Description
ig	31:18	RV	0	Ignored
rsv	17:16	RV	0	Reserved; SW must write to 1 else behavior is undefined.
ig	15:9	RV	0	Ignored
frz	8	WO	0	Freeze. If set to 1 the counters in this box will be frozen.
ig	7:2	RV	0	Ignored
rst_ctrs	1	WO	0	Reset Counters. When set to 1, the Counter Registers will be reset to 0.
rst_ctrl	0	WO	0	Reset Control. When set to 1, the Counter Control Registers will be reset to 0.

Table 2-73. MC_CHy_PCI_PMON_BOX_STATUS Register - Field Definitions

Field	Bits	Attr	HW Reset Val	Description
ig	31:6	RV	0	Ignored
rsv	5	RV	0	Reserved. SW must write to 0 else behavior is undefined.
ov	4:0	RW1C	0	If an overflow is detected from the corresponding MC_CHy_PCI_PMON_CTR register, it's overflow bit will be set. NOTE: Write of '1' will clear the bit. Bit 4 -overflow for *_PMON_CTR4 Bit 1 -overflow for *_PMON_CTR1 Bit 0 -overflow for the fixed counter

2.5.4.2 MC PMON state - Counter/Control Pairs

The following table defines the layout of the MC performance monitor control registers. The main task of these configuration registers is to select the event to be monitored by their respective data counter (*.ev_sel*, *.umask*). Additional control bits are provided to shape the incoming events (e.g. *.edge_det*, *.thresh*) as well as provide additional functionality for monitoring software (*.rst*, *.ov_en*).



Table 2-74. MC_CHy_PCI_PMON_CTL{3-0} Register - Field Definitions

Field	Bits	Attr	HW Reset Val	Description
thresh	31:24	RW-V	0	Threshold used in counter comparison.
rsv	23	RV	0	Reserved. SW must write to 0 else behavior is undefined.
en	22	RW-V	0	Local Counter Enable.
rsv	21	RV	0	Reserved. SW must write to 0 else behavior is undefined.
ov_en	20	RW-V	0	When this bit is asserted and the corresponding counter overflows, its overflow bit is set in the local status register (MC_CHy_PCI_PMON_BOX_STATUS.ov) and an overflow is sent on the message channel to the UBox. When the overflow is received by the UBox, the bit corresponding to this MC will be set in U_MSR_PMON_GLOBAL_STATUS.ov_m{1,0}.
ig	19	RV	0	Ignored
edge_det	18	RW-V	0	When set to 1, rather than measuring the event in each cycle it is active, the corresponding counter will increment when a 0 to 1 transition (i.e. rising edge) is detected. When 0, the counter will increment in each cycle that the event is asserted. NOTE: .edge_det is in series following .thresh. Due to this, the .thresh field must be set to a non-0 value. For events that increment by no more than 1 per cycle, set .thresh to 0x1.
rst	17	WO	0	When set to 1, the corresponding counter will be cleared to 0.
rsv	16	RV	0	Reserved. SW must write to 0 else behavior is undefined.
umask	15:8	RW-V	0	Select subevents to be counted within the selected event.
ev_sel	7:0	RW-V	0	Select event to be counted.

All MC performance monitor data registers are 48-bit wide. A counter overflow occurs when a carry out from bit 47 is detected. Software can force all uncore counting to freeze after N events by preloading a monitor with a count value of $2^{48} - N$ and setting the control register to send an overflow message to the UBox (refer to Section 2.1.1, “Counter Overflow”). During the interval of time between overflow and global disable, the counter value will wrap and continue to collect events.

If accessible, software can continuously read the data registers without disabling event collection.

This is a counter that always tracks the number of DRAM clocks (dclks - half of DDR speed) in the iMC. The dclk never changes frequency (on a given system), and therefore is a good measure of wall clock (unlike the Uncore clock which can change frequency based on system load). This clock is generally a bit slower than the uclk (~800MHz to ~1.066GHz) and therefore has less fidelity.



Table 2-75. MC_Chy_PCI_PMON_FIXED_CTL Register - Field Definitions

Field	Bits	Attr	HW Reset Val	Description
ig	31:24	RV	0	Ignored
rsv	23	RV	0	Reserved. SW must write to 0 else behavior is undefined.
en	22	RW-V	0	Local Counter Enable.
rsv	21	RV	0	Reserved. SW must write to 0 else behavior is undefined.
ov_en	20	RW-V	0	When this bit is asserted and the corresponding counter overflows, a PMI exception is sent to the UBox.
rst	19	WO	0	When set to 1, the corresponding counter will be cleared to 0.
ig	18:0	RV	0	Ignored

Table 2-76. MC_Chy_PCI_PMON_CTR{FIXED,3-0} Register - Field Definitions

Field	Bits	Attr	HW Reset Val	Description
ig	63:48	RV	0	Ignored
event_count	47:0	RW-V	0	48-bit performance event counter

2.5.5 iMC Performance Monitoring Events

2.5.5.1 An Overview:

A sampling of events available for monitoring in the iMC:

- **Translated commands:** Various Read and Write CAS commands
- **Memory commands:** CAS, Precharge, Refresh, Preemptions, etc,
- **Page hits and page misses.**
- **Page Closing** Events
- **Control of power consumption:** Thermal Throttling by Rank, Time spent in CKE ON mode, etc.

and many more.

Internal iMC Queues:

RPQ - Read Pending Queue. NOTE: HA also tracks some information related to the iMC's RPQ.

WPQ - Write Pending Queue. NOTE: HA also tracks some information related to the iMC's WPQ.

2.5.6 iMC Box Events Ordered By Code

The following table summarizes the directly measured iMC Box events.



Symbol Name	Event Code	Ctrs	Max Inc/Cyc	Description
DCLOCKTICKS	0x00	0-3	1	DRAM Clockticks
ACT_COUNT	0x01	0-3	1	DRAM Activate Count
PRE_COUNT	0x02	0-3	1	DRAM Precharge commands.
CAS_COUNT	0x04	0-3	1	DRAM RD_CAS and WR_CAS Commands.
DRAM_REFRESH	0x05	0-3	1	Number of DRAM Refreshes Issued
DRAM_PRE_ALL	0x06	0-3	1	DRAM Precharge All Commands
MAJOR_MODES	0x07	0-3	1	Cycles in a Major Mode
PREEMPTION	0x08	0-3	1	Read Preemption Count
ECC_CORRECTABLE_ERRORS	0x09	0-3	1	ECC Correctable Errors
RPO_INSERTS	0x10	0-3	1	Read Pending Queue Allocations
RPO_CYCLES_NE	0x11	0-3	1	Read Pending Queue Not Empty
WPO_INSERTS	0x20	0-3	1	Write Pending Queue Allocations
WPO_CYCLES_NE	0x21	0-3	1	Write Pending Queue Not Empty
WPO_CYCLES_FULL	0x22	0-3	1	Write Pending Queue Full Cycles
WPO_READ_HIT	0x23	0-3	1	Write Pending Queue CAM Match
WPO_WRITE_HIT	0x24	0-3	1	Write Pending Queue CAM Match
POWER_THROTTLE_CYCLES	0x41	0-3	1	Throttle Cycles for Rank 0
POWER_PCU_THROTTLING	0x42	0-3	1	
POWER_SELF_REFRESH	0x43	0-3	0	Clock-Enabled Self-Refresh
POWER_CKE_CYCLES	0x83	0-3	16	CKE_ON_CYCLES by Rank
POWER_CHANNEL_DLLOFF	0x84	0-3	1	Channel DLLOFF Cycles
POWER_CHANNEL_PPD	0x85	0-3	4	Channel PPD Cycles
POWER_CRITICAL_THROTTLE_CYCLES	0x86	0-3	1	Critical Throttle Cycles
VMSE_WR_PUSH	0x90	0-3	1	VMSE WR PUSH issued
VMSE_MXB_WR_OCCUPANCY	0x91	0-3	32	VMSE MXB write buffer occupancy
RD_CAS_PRIO	0xa0	0-3	1	
BYP_CMDS	0xa1	0-3	1	
RD_CAS_RANK0	0xb0	0-3	1	RD_CAS Access to Rank 0
RD_CAS_RANK1	0xb1	0-3	1	RD_CAS Access to Rank 1
RD_CAS_RANK2	0xb2	0-3	1	RD_CAS Access to Rank 2
RD_CAS_RANK3	0xb3	0-3	1	RD_CAS Access to Rank 3
RD_CAS_RANK4	0xb4	0-3	1	RD_CAS Access to Rank 4
RD_CAS_RANK5	0xb5	0-3	1	RD_CAS Access to Rank 5
RD_CAS_RANK6	0xb6	0-3	1	RD_CAS Access to Rank 6
RD_CAS_RANK7	0xb7	0-3	1	RD_CAS Access to Rank 7
WR_CAS_RANK0	0xb8	0-3	1	WR_CAS Access to Rank 0
WR_CAS_RANK1	0xb9	0-3	1	WR_CAS Access to Rank 1
WR_CAS_RANK2	0xba	0-3	1	WR_CAS Access to Rank 2
WR_CAS_RANK3	0xbb	0-3	1	WR_CAS Access to Rank 3
WR_CAS_RANK4	0xbc	0-3	1	WR_CAS Access to Rank 4
WR_CAS_RANK5	0xbd	0-3	1	WR_CAS Access to Rank 5



Symbol Name	Event Code	Ctrs	Max Inc/Cyc	Description
WR_CAS_RANK6	0xbe	0-3	1	WR_CAS Access to Rank 6
WR_CAS_RANK7	0xbf	0-3	1	WR_CAS Access to Rank 7
WMM_TO_RMM	0xc0	0-3	1	Transition from WMM to RMM because of low threshold
WRONG_MM	0xc1	0-3	1	Not getting the requested Major Mode

2.5.7 iMC Box Common Metrics (Derived Events)

The following table summarizes metrics commonly calculated from iMC Box events.

Symbol Name: Definition	Equation
MEM_BW_READS: Memory bandwidth consumed by reads. Expressed in bytes.	$(CAS_COUNT.RD * 64)$
MEM_BW_TOTAL: Total memory bandwidth. Expressed in bytes.	$MEM_BW_READS + MEM_BW_WRITES$
MEM_BW_WRITES: Memory bandwidth consumed by writes Expressed in bytes.	$(CAS_COUNT.WR * 64)$
PCT_CYCLES_CRITICAL_THROTTLE: The percentage of cycles all DRAM ranks in critical thermal throttling	$POWER_CRITICAL_THROTTLE_CYCLES / MC_Chy_PCI_PMON_CTR_FIXED$
PCT_CYCLES_DLLOFF: The percentage of cycles all DRAM ranks in CKE slow (DLLOFF) mode	$POWER_CHANNEL_DLLOFF / MC_Chy_PCI_PMON_CTR_FIXED$
PCT_CYCLES_DRAM_RANKx_IN_CKE: The percentage of cycles DRAM rank (x) spent in CKE ON mode.	$POWER_CKE_CYCLES.RANKx / MC_Chy_PCI_PMON_CTR_FIXED$
PCT_CYCLES_DRAM_RANKx_IN_THR: The percentage of cycles DRAM rank (x) spent in thermal throttling.	$POWER_THROTTLE_CYCLES.RANKx / MC_Chy_PCI_PMON_CTR_FIXED$
PCT_CYCLES_PPD: The percentage of cycles all DRAM ranks in PPD mode	$POWER_CHANNEL_PPD / MC_Chy_PCI_PMON_CTR_FIXED$
PCT_CYCLES_SELF_REFRESH: The percentage of cycles Memory is in self refresh power mode	$POWER_SELF_REFRESH / MC_Chy_PCI_PMON_CTR_FIXED$
PCT_RD_REQUESTS: Percentage of read requests from total requests.	$RPQ_INSERTS / (RPQ_INSERTS + WPQ_INSERTS)$
PCT_REQUESTS_PAGE_EMPTY: Percentage of memory requests that resulted in Page Empty	$(ACT_COUNT - PRE_COUNT.PAGE_MISS) / (CAS_COUNT.RD + CAS_COUNT.WR)$
PCT_REQUESTS_PAGE_HIT: Percentage of memory requests that resulted in Page Hits	$1 - (PCT_REQUESTS_PAGE_EMPTY + PCT_REQUESTS_PAGE_MISS)$
PCT_REQUESTS_PAGE_MISS: Percentage of memory requests that resulted in Page Misses	$PRE_COUNT.PAGE_MISS / (CAS_COUNT.RD + CAS_COUNT.WR)$
PCT_WR_REQUESTS: Percentage of write requests from total requests.	$WPQ_INSERTS / (RPQ_INSERTS + WPQ_INSERTS)$



2.5.8 iMC Box Performance Monitor Event List

The section enumerates performance monitoring events for the iMC Box.

ACT_COUNT

- **Title:** DRAM Activate Count
- **Category:** ACT Events
- **Event Code:** 0x01
- Max. Inc/Cyc: . 1, **Register Restrictions:** 0-3
- **Definition:** Counts the number of DRAM Activate commands sent on this channel. Activate commands are issued to open up a page on the DRAM devices so that it can be read or written to with a CAS. One can calculate the number of Page Misses by subtracting the number of Page Miss pre-charges from the number of Activates.

Table 2-77. Unit Masks for ACT_COUNT

Extension	umask [15:8]	Description
RD	bxxxxxx1	Activate due to Read
WR	bxxxxxx1x	Activate due to Write
BYP	bxxxx1xxx	Activate due to Write

BYP_CMDS

- **Title:**
- **Category:** BYPASS Command Events
- **Event Code:** 0xa1
- Max. Inc/Cyc: . 1, **Register Restrictions:** 0-3
- **Definition:**

Table 2-78. Unit Masks for BYP_CMDS

Extension	umask [15:8]	Description
ACT	bxxxxxx1	ACT command issued by 2 cycle bypass
CAS	bxxxxxx1x	CAS command issued by 2 cycle bypass
PRE	bxxxxxx1xx	PRE command issued by 2 cycle bypass

CAS_COUNT

- **Title:** DRAM RD_CAS and WR_CAS Commands.
- **Category:** PRE Events
- **Event Code:** 0x04
- Max. Inc/Cyc: . 1, **Register Restrictions:** 0-3
- **Definition:** DRAM RD_CAS and WR_CAS Commands



Table 2-79. Unit Masks for CAS_COUNT

Extension	umask [15:8]	Description
RD_REG	bxxxxxxx1	All DRAM RD_CAS (w/ and w/out auto-pre) Counts the total number of DRAM Read CAS commands issued on this channel. This includes both regular RD CAS commands as well as those with implicit Precharge. AutoPre is only used in systems that are using closed page policy. We do not filter based on major mode, as RD_CAS is not issued during WMM (with the exception of underfills).
RD_UNDERFILL	bxxxxx1x	Underfill Read Issued Counts the number of underfill reads that are issued by the memory controller. This will generally be about the same as the number of partial writes, but may be slightly less because of partials hitting in the WPC. While it is possible for underfills to be issued in both WMM and RMM, this event counts both.
RD	b00000011	All DRAM Reads (RD_CAS + Underfills) Counts the total number of DRAM Read CAS commands issued on this channel (including underfills).
WR_WMM	bxxxx1xx	DRAM WR_CAS (w/ and w/out auto-pre) in Write Major Mode Counts the total number of DRAM Write CAS commands issued on this channel while in Write-Major-Mode.
WR_RMM	bxxxx1xxx	DRAM WR_CAS (w/ and w/out auto-pre) in Read Major Mode Counts the total number of Opportunistic DRAM Write CAS commands issued on this channel while in Read-Major-Mode.
WR	b00001100	All DRAM WR_CAS (both Modes) Counts the total number of DRAM Write CAS commands issued on this channel.
ALL	b00001111	All DRAM WR_CAS (w/ and w/out auto-pre) Counts the total number of DRAM CAS commands issued on this channel.
RD_WMM	bxxx1xxxx	Read CAS issued in WMM
RD_RMM	bxx1xxxxx	Read CAS issued in RMM

DCLOCKTICKS

- **Title:** DRAM Clockticks
- **Category:** DCLK Events
- **Event Code:** 0x00
- Max. Inc/Cyc.: 1, **Register Restrictions:** 0-3
- **Definition:**

DRAM_PRE_ALL

- **Title:** DRAM Precharge All Commands
- **Category:** DRAM_PRE_ALL Events
- **Event Code:** 0x06
- Max. Inc/Cyc.: 1, **Register Restrictions:** 0-3
- **Definition:** Counts the number of times that the precharge all command was sent.

DRAM_REFRESH

- **Title:** Number of DRAM Refreshes Issued
- **Category:** DRAM_REFRESH Events
- **Event Code:** 0x05
- Max. Inc/Cyc.: 1, **Register Restrictions:** 0-3
- **Definition:** Counts the number of refreshes issued.



Table 2-80. Unit Masks for DRAM_REFRESH

Extension	umask [15:8]	Description
PANIC	bxxxxx1x	
HIGH	bxxxx1xx	

ECC_CORRECTABLE_ERRORS

- **Title:** ECC Correctable Errors
- **Category:** ECC Events
- **Event Code:** 0x09
- Max. Inc/Cyc: . 1, **Register Restrictions:** 0-3
- **Definition:** Counts the number of ECC errors detected and corrected by the iMC on this channel. This counter is only useful with ECC DRAM devices. This count will increment one time for each correction regardless of the number of bits corrected. The iMC can correct up to 4 bit errors in independent channel mode and 8 bit errors in lockstep mode.

MAJOR_MODES

- **Title:** Cycles in a Major Mode
- **Category:** MAJOR_MODES Events
- **Event Code:** 0x07
- Max. Inc/Cyc: . 1, **Register Restrictions:** 0-3
- **Definition:** Counts the total number of cycles spent in a major mode (selected by a filter) on the given channel. Major modes are channel-wide, and not a per-rank (or DIMM or bank) mode.

Table 2-81. Unit Masks for MAJOR_MODES

Extension	umask [15:8]	Description
READ	bxxxxxxx1	Read Major Mode Read Major Mode is the default mode for the iMC, as reads are generally more critical to forward progress than writes.
WRITE	bxxxxx1x	Write Major Mode This mode is triggered when the WPO hits high occupancy and causes writes to be higher priority than reads. This can cause blips in the available read bandwidth in the system and temporarily increase read latencies in order to achieve better bus utilizations and higher bandwidth.
PARTIAL	bxxxx1xx	Partial Major Mode This major mode is used to drain starved underfill reads. Regular reads and writes are blocked and only underfill reads will be processed.
ISOCH	bxxxx1xxx	Isoch Major Mode We group these two modes together so that we can use four counters to track each of the major modes at one time. These major modes are used whenever there is an ISOCH txn in the memory controller. In these mode, only ISOCH transactions are processed.

POWER_CHANNEL_DLLOFF

- **Title:** Channel DLLOFF Cycles
- **Category:** POWER Events
- **Event Code:** 0x84
- Max. Inc/Cyc: . 1, **Register Restrictions:** 0-3
- **Definition:** Number of cycles when all the ranks in the channel are in CKE Slow (DLLOFF) mode.
- **NOTE:** IBT = Input Buffer Termination = Off



POWER_CHANNEL_PPD

- **Title:** Channel PPD Cycles
- **Category:** POWER Events
- **Event Code:** 0x85
- Max. Inc/Cyc: 4, **Register Restrictions:** 0-3
- **Definition:** Number of cycles when all the ranks in the channel are in PPD mode. If IBT=off is enabled, then this can be used to count those cycles. If it is not enabled, then this can count the number of cycles when that could have been taken advantage of.
- **NOTE:** IBT = Input Buffer Termination = On

POWER_CKE_CYCLES

- **Title:** CKE_ON_CYCLES by Rank
- **Category:** POWER Events
- **Event Code:** 0x83
- Max. Inc/Cyc: 16, **Register Restrictions:** 0-3
- **Definition:** Number of cycles spent in CKE ON mode. The filter allows you to select a rank to monitor. If multiple ranks are in CKE ON mode at one time, the counter will ONLY increment by one rather than doing accumulation. Multiple counters will need to be used to track multiple ranks simultaneously. There is no distinction between the different CKE modes (APD, PPDS, PPDF). This can be determined based on the system programming. These events should commonly be used with Invert to get the number of cycles in power saving mode. Edge Detect is also useful here. Make sure that you do NOT use Invert with Edge Detect (this just confuses the system and is not necessary).

Table 2-82. Unit Masks for POWER_CKE_CYCLES

Extension	umask [15:8]	Description
RANK0	b00000001	DIMM ID
RANK1	b00000010	DIMM ID
RANK2	b00000100	DIMM ID
RANK3	b00001000	DIMM ID
RANK4	b00010000	DIMM ID
RANK5	b00100000	DIMM ID
RANK6	b01000000	DIMM ID
RANK7	b10000000	DIMM ID

POWER_CRITICAL_THROTTLE_CYCLES

- **Title:** Critical Throttle Cycles
- **Category:** POWER Events
- **Event Code:** 0x86
- Max. Inc/Cyc: 1, **Register Restrictions:** 0-3
- **Definition:** Counts the number of cycles when the iMC is in critical thermal throttling. When this happens, all traffic is blocked. This should be rare unless something bad is going on in the platform. There is no filtering by rank for this event.

POWER_PCU_THROTTLING

- **Title:**
- **Category:** POWER Events
- **Event Code:** 0x42
- Max. Inc/Cyc: 1, **Register Restrictions:** 0-3
- **Definition:**



POWER_SELF_REFRESH

- **Title:** Clock-Enabled Self-Refresh
- **Category:** POWER Events
- **Event Code:** 0x43
- Max. Inc/Cyc: . 0, **Register Restrictions:** 0-3
- **Definition:** Counts the number of cycles when the iMC is in self-refresh and the iMC still has a clock. This happens in some package C-states. For example, the PCU may ask the iMC to enter self-refresh even though some of the cores are still processing. One use of this is for Monroe technology. Self-refresh is required during package C3 and C6, but there is no clock in the iMC at this time, so it is not possible to count these cases.

POWER_THROTTLE_CYCLES

- **Title:** Throttle Cycles for Rank 0
- **Category:** POWER Events
- **Event Code:** 0x41
- Max. Inc/Cyc: . 1, **Register Restrictions:** 0-3
- **Definition:** Counts the number of cycles while the iMC is being throttled by either thermal constraints or by the PCU throttling. It is not possible to distinguish between the two. This can be filtered by rank. If multiple ranks are selected and are being throttled at the same time, the counter will only increment by 1.

Table 2-83. Unit Masks for POWER_THROTTLE_CYCLES

Extension	umask [15:8]	Description
RANK0	bxxxxxx1	DIMM ID Thermal throttling is performed per DIMM. We support 3 DIMMs per channel. This ID allows us to filter by ID.
RANK1	bxxxxx1x	DIMM ID
RANK2	bxxxx1xx	DIMM ID
RANK3	bxxx1xxx	DIMM ID
RANK4	bxx1xxxx	DIMM ID
RANK5	bx1xxxxx	DIMM ID
RANK6	b1xxxxxx	DIMM ID
RANK7	b1xxxxxx	DIMM ID

PREEMPTION

- **Title:** Read Preemption Count
- **Category:** PREEMPTION Events
- **Event Code:** 0x08
- Max. Inc/Cyc: . 1, **Register Restrictions:** 0-3
- **Definition:** Counts the number of times a read in the iMC preempts another read or write. Generally reads to an open page are issued ahead of requests to closed pages. This improves the page hit rate of the system. However, high priority requests can cause pages of active requests to be closed in order to get them out. This will reduce the latency of the high-priority request at the expense of lower bandwidth and increased overall average latency.



Table 2-84. Unit Masks for PREEMPTION

Extension	umask [15:8]	Description
RD_PREEMPT_RD	bxxxxxx1	Read over Read Preemption Filter for when a read preempts another read.
RD_PREEMPT_WR	bxxxxxx1x	Read over Write Preemption Filter for when a read preempts a write.

PRE_COUNT

- **Title:** DRAM Precharge commands.
- **Category:** PRE Events
- **Event Code:** 0x02
- Max. Inc/Cyc.: 1, **Register Restrictions:** 0-3
- **Definition:** Counts the number of DRAM Precharge commands sent on this channel.

Table 2-85. Unit Masks for PRE_COUNT

Extension	umask [15:8]	Description
PAGE_MISS	bxxxxxx1	Precharges due to page miss Counts the number of DRAM Precharge commands sent on this channel as a result of page misses. This does not include explicit precharge commands sent with CAS commands in Auto-Precharge mode. This does not include PRE commands sent as a result of the page close counter expiration.
PAGE_CLOSE	bxxxxxx1x	Precharge due to timer expiration Counts the number of DRAM Precharge commands sent on this channel as a result of the page close counter expiring. This does not include implicit precharge commands sent in auto-precharge mode.
RD	bxxxx1xx	Precharge due to read
WR	bxxxx1xxx	Precharge due to write
BYP	bxxx1xxxx	Precharge due to bypass

RD_CAS_PRIO

- **Title:**
- **Category:** CAS Events
- **Event Code:** 0xa0
- Max. Inc/Cyc.: 1, **Register Restrictions:** 0-3
- **Definition:**

Table 2-86. Unit Masks for RD_CAS_PRIO

Extension	umask [15:8]	Description
LOW	bxxxxxx1	Read CAS issued with LOW priority
MED	bxxxxxx1x	Read CAS issued with MEDIUM priority
HIGH	bxxxx1xx	Read CAS issued with HIGH priority
PANIC	bxxxx1xxx	Read CAS issued with PANIC NON ISOCH priority (starved)



RD_CAS_RANK0

- **Title:** RD_CAS Access to Rank 0
- **Category:** CAS Events
- **Event Code:** 0xb0
- Max. Inc/Cyc: . 1, **Register Restrictions:** 0-3
- **Definition:**

Table 2-87. Unit Masks for RD_CAS_RANK0

Extension	umask [15:8]	Description
BANK0	bxxxxxxx1	Bank 0
BANK1	bxxxxxx1x	Bank 1
BANK2	bxxxxx1xx	Bank 2
BANK3	bxxxx1xxx	Bank 3
BANK4	bxxx1xxxx	Bank 4
BANK5	bxx1xxxxx	Bank 5
BANK6	bx1xxxxxx	Bank 6
BANK7	b1xxxxxxx	Bank 7

RD_CAS_RANK1

- **Title:** RD_CAS Access to Rank 1
- **Category:** CAS Events
- **Event Code:** 0xb1
- Max. Inc/Cyc: . 1, **Register Restrictions:** 0-3
- **Definition:**

Table 2-88. Unit Masks for RD_CAS_RANK1

Extension	umask [15:8]	Description
BANK0	bxxxxxxx1	Bank 0
BANK1	bxxxxxx1x	Bank 1
BANK2	bxxxxx1xx	Bank 2
BANK3	bxxxx1xxx	Bank 3
BANK4	bxxx1xxxx	Bank 4
BANK5	bxx1xxxxx	Bank 5
BANK6	bx1xxxxxx	Bank 6
BANK7	b1xxxxxxx	Bank 7

RD_CAS_RANK2

- **Title:** RD_CAS Access to Rank 2
- **Category:** CAS Events
- **Event Code:** 0xb2
- Max. Inc/Cyc: . 1, **Register Restrictions:** 0-3
- **Definition:**

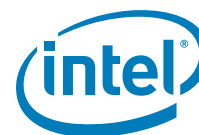


Table 2-89. Unit Masks for RD_CAS_RANK2

Extension	umask [15:8]	Description
BANK0	bxxxxxxx1	Bank 0
BANK1	bxxxxxx1x	Bank 1
BANK2	bxxxx1xx	Bank 2
BANK3	bxxxx1xxx	Bank 3
BANK4	bxxx1xxxx	Bank 4
BANK5	bxx1xxxxx	Bank 5
BANK6	bx1xxxxxx	Bank 6
BANK7	b1xxxxxxx	Bank 7

RD_CAS_RANK3

- **Title:** RD_CAS Access to Rank 3
- **Category:** CAS Events
- **Event Code:** 0xb3
- Max. Inc/Cyc.: 1, **Register Restrictions:** 0-3
- **Definition:**

Table 2-90. Unit Masks for RD_CAS_RANK3

Extension	umask [15:8]	Description
BANK0	bxxxxxxx1	Bank 0
BANK1	bxxxxxx1x	Bank 1
BANK2	bxxxx1xx	Bank 2
BANK3	bxxxx1xxx	Bank 3
BANK4	bxxx1xxxx	Bank 4
BANK5	bxx1xxxxx	Bank 5
BANK6	bx1xxxxxx	Bank 6
BANK7	b1xxxxxxx	Bank 7

RD_CAS_RANK4

- **Title:** RD_CAS Access to Rank 4
- **Category:** CAS Events
- **Event Code:** 0xb4
- Max. Inc/Cyc.: 1, **Register Restrictions:** 0-3
- **Definition:**

Table 2-91. Unit Masks for RD_CAS_RANK4

Extension	umask [15:8]	Description
BANK0	bxxxxxxx1	Bank 0
BANK1	bxxxxxx1x	Bank 1
BANK2	bxxxx1xx	Bank 2
BANK3	bxxxx1xxx	Bank 3



Table 2-91. Unit Masks for RD_CAS_RANK4

Extension	umask [15:8]	Description
BANK4	bxxx1xxxx	Bank 4
BANK5	bxx1xxxxx	Bank 5
BANK6	bx1xxxxxx	Bank 6
BANK7	b1xxxxxxx	Bank 7

RD_CAS_RANK5

- **Title:** RD_CAS Access to Rank 5
- **Category:** CAS Events
- **Event Code:** 0xb5
- Max. Inc/Cyc: . 1, **Register Restrictions:** 0-3
- **Definition:**

Table 2-92. Unit Masks for RD_CAS_RANK5

Extension	umask [15:8]	Description
BANK0	bxxxxxxx1	Bank 0
BANK1	bxxxxxx1x	Bank 1
BANK2	bxxxxx1xx	Bank 2
BANK3	bxxxx1xxx	Bank 3
BANK4	bxxx1xxxx	Bank 4
BANK5	bxx1xxxxx	Bank 5
BANK6	bx1xxxxxx	Bank 6
BANK7	b1xxxxxxx	Bank 7

RD_CAS_RANK6

- **Title:** RD_CAS Access to Rank 6
- **Category:** CAS Events
- **Event Code:** 0xb6
- Max. Inc/Cyc: . 1, **Register Restrictions:** 0-3
- **Definition:**

Table 2-93. Unit Masks for RD_CAS_RANK6

Extension	umask [15:8]	Description
BANK0	bxxxxxxx1	Bank 0
BANK1	bxxxxxx1x	Bank 1
BANK2	bxxxxx1xx	Bank 2
BANK3	bxxxx1xxx	Bank 3
BANK4	bxxx1xxxx	Bank 4
BANK5	bxx1xxxxx	Bank 5
BANK6	bx1xxxxxx	Bank 6
BANK7	b1xxxxxxx	Bank 7



RD_CAS_RANK7

- **Title:** RD_CAS Access to Rank 7
- **Category:** CAS Events
- **Event Code:** 0xb7
- Max. Inc/Cyc.: 1, **Register Restrictions:** 0-3
- **Definition:**

Table 2-94. Unit Masks for RD_CAS_RANK7

Extension	umask [15:8]	Description
BANK0	bxxxxxxx1	Bank 0
BANK1	bxxxxxx1x	Bank 1
BANK2	bxxxxx1xx	Bank 2
BANK3	bxxxx1xxx	Bank 3
BANK4	bxxx1xxxx	Bank 4
BANK5	bxx1xxxxx	Bank 5
BANK6	bx1xxxxxx	Bank 6
BANK7	b1xxxxxxx	Bank 7

RPQ_CYCLES_NE

- **Title:** Read Pending Queue Not Empty
- **Category:** RPQ Events
- **Event Code:** 0x11
- Max. Inc/Cyc.: 1, **Register Restrictions:** 0-3
- **Definition:** Counts the number of cycles that the Read Pending Queue is not empty. This can then be used to calculate the average occupancy (in conjunction with the Read Pending Queue Occupancy count). The RPQ is used to schedule reads out to the memory controller and to track the requests. Requests allocate into the RPQ soon after they enter the memory controller, and need credits for an entry in this buffer before being sent from the HA to the iMC. They deallocate after the CAS command has been issued to memory. This filter is to be used in conjunction with the occupancy filter so that one can correctly track the average occupancies for schedulable entries and scheduled requests.

RPQ_INSERTS

- **Title:** Read Pending Queue Allocations
- **Category:** RPQ Events
- **Event Code:** 0x10
- Max. Inc/Cyc.: 1, **Register Restrictions:** 0-3
- **Definition:** Counts the number of allocations into the Read Pending Queue. This queue is used to schedule reads out to the memory controller and to track the requests. Requests allocate into the RPQ soon after they enter the memory controller, and need credits for an entry in this buffer before being sent from the HA to the iMC. They deallocate after the CAS command has been issued to memory. This includes both ISOCH and non-ISOCH requests.

VMSE_MXB_WR_OCCUPANCY

- **Title:** VMSE MXB write buffer occupancy
- **Category:** VMSE Events
- **Event Code:** 0x91
- Max. Inc/Cyc.: 32, **Register Restrictions:** 0-3
- **Definition:**



VMSE_WR_PUSH

- **Title:** VMSE WR PUSH issued
- **Category:** VMSE Events
- **Event Code:** 0x90
- Max. Inc/Cyc: . 1, **Register Restrictions:** 0-3
- **Definition:**

Table 2-95. Unit Masks for VMSE_WR_PUSH

Extension	umask [15:8]	Description
WMM	bxxxxxx1	VMSE write PUSH issued in WMM
RMM	bxxxxxx1x	VMSE write PUSH issued in RMM

WMM_TO_RMM

- **Title:** Transition from WMM to RMM because of low threshold
- **Category:** MAJOR_MODES Events
- **Event Code:** 0xc0
- Max. Inc/Cyc: . 1, **Register Restrictions:** 0-3
- **Definition:**

Table 2-96. Unit Masks for WMM_TO_RMM

Extension	umask [15:8]	Description
LOW_THRESH	bxxxxxx1	Transition from WMM to RMM because of starve counter
STARVE	bxxxxxx1x	
VMSE_RETRY	bxxxxxx1xx	

WPQ_CYCLES_FULL

- **Title:** Write Pending Queue Full Cycles
- **Category:** WPQ Events
- **Event Code:** 0x22
- Max. Inc/Cyc: . 1, **Register Restrictions:** 0-3
- **Definition:** Counts the number of cycles when the Write Pending Queue is full. When the WPQ is full, the HA will not be able to issue any additional read requests into the iMC. This count should be similar count in the HA which tracks the number of cycles that the HA has no WPQ credits, just somewhat smaller to account for the credit return overhead.

WPQ_CYCLES_NE

- **Title:** Write Pending Queue Not Empty
- **Category:** WPQ Events
- **Event Code:** 0x21
- Max. Inc/Cyc: . 1, **Register Restrictions:** 0-3
- **Definition:** Counts the number of cycles that the Write Pending Queue is not empty. This can then be used to calculate the average queue occupancy (in conjunction with the WPQ Occupancy Accumulation count). The WPQ is used to schedule write out to the memory controller and to track the writes. Requests allocate into the WPQ soon after they enter the memory controller, and need credits for an entry in this buffer before being sent from the HA to the iMC. They deallocate after being issued to DRAM. Write requests themselves are able to complete (from the perspective of the rest of the system) as soon they have "posted" to the iMC. This is not to be confused with actually performing the write to DRAM. Therefore, the average latency for this queue is actually not useful for deconstruction intermediate write latencies.



WPQ_INSERTS

- **Title:** Write Pending Queue Allocations
- **Category:** WPQ Events
- **Event Code:** 0x20
- Max. Inc/Cyc.: 1, **Register Restrictions:** 0-3
- **Definition:** Counts the number of allocations into the Write Pending Queue. This can then be used to calculate the average queuing latency (in conjunction with the WPQ occupancy count). The WPQ is used to schedule write out to the memory controller and to track the writes. Requests allocate into the WPQ soon after they enter the memory controller, and need credits for an entry in this buffer before being sent from the HA to the iMC. They deallocate after being issued to DRAM. Write requests themselves are able to complete (from the perspective of the rest of the system) as soon they have “posted” to the iMC.

WPQ_READ_HIT

- **Title:** Write Pending Queue CAM Match
- **Category:** WPQ Events
- **Event Code:** 0x23
- Max. Inc/Cyc.: 1, **Register Restrictions:** 0-3
- **Definition:** Counts the number of times a request hits in the WPQ (write-pending queue). The iMC allows writes and reads to pass up other writes to different addresses. Before a read or a write is issued, it will first CAM the WPQ to see if there is a write pending to that address. When reads hit, they are able to directly pull their data from the WPQ instead of going to memory. Writes that hit will overwrite the existing data. Partial writes that hit will not need to do underfill reads and will simply update their relevant sections.

WPQ_WRITE_HIT

- **Title:** Write Pending Queue CAM Match
- **Category:** WPQ Events
- **Event Code:** 0x24
- Max. Inc/Cyc.: 1, **Register Restrictions:** 0-3
- **Definition:** Counts the number of times a request hits in the WPQ (write-pending queue). The iMC allows writes and reads to pass up other writes to different addresses. Before a read or a write is issued, it will first CAM the WPQ to see if there is a write pending to that address. When reads hit, they are able to directly pull their data from the WPQ instead of going to memory. Writes that hit will overwrite the existing data. Partial writes that hit will not need to do underfill reads and will simply update their relevant sections.

WRONG_MM

- **Title:** Not getting the requested Major Mode
- **Category:** MAJOR_MODES Events
- **Event Code:** 0xc1
- Max. Inc/Cyc.: 1, **Register Restrictions:** 0-3
- **Definition:**

WR_CAS_RANK0

- **Title:** WR_CAS Access to Rank 0
- **Category:** CAS Events
- **Event Code:** 0xb8
- Max. Inc/Cyc.: 1, **Register Restrictions:** 0-3
- **Definition:**



Table 2-97. Unit Masks for WR_CAS_RANK0

Extension	umask [15:8]	Description
BANK0	bxxxxxxx1	Bank 0
BANK1	bxxxxxx1x	Bank 1
BANK2	bxxxxx1xx	Bank 2
BANK3	bxxxx1xxx	Bank 3
BANK4	bxxx1xxxx	Bank 4
BANK5	bxx1xxxxx	Bank 5
BANK6	bx1xxxxxx	Bank 6
BANK7	b1xxxxxxx	Bank 7

WR_CAS_RANK1

- **Title:** WR_CAS Access to Rank 1
- **Category:** CAS Events
- **Event Code:** 0xb9
- Max. Inc/Cyc: . 1, **Register Restrictions:** 0-3
- **Definition:**

Table 2-98. Unit Masks for WR_CAS_RANK1

Extension	umask [15:8]	Description
BANK0	bxxxxxxx1	Bank 0
BANK1	bxxxxxx1x	Bank 1
BANK2	bxxxxx1xx	Bank 2
BANK3	bxxxx1xxx	Bank 3
BANK4	bxxx1xxxx	Bank 4
BANK5	bxx1xxxxx	Bank 5
BANK6	bx1xxxxxx	Bank 6
BANK7	b1xxxxxxx	Bank 7

WR_CAS_RANK2

- **Title:** WR_CAS Access to Rank 2
- **Category:** CAS Events
- **Event Code:** 0xba
- Max. Inc/Cyc: . 1, **Register Restrictions:** 0-3
- **Definition:**

Table 2-99. Unit Masks for WR_CAS_RANK2

Extension	umask [15:8]	Description
BANK0	bxxxxxxx1	Bank 0
BANK1	bxxxxxx1x	Bank 1
BANK2	bxxxxx1xx	Bank 2
BANK3	bxxxx1xxx	Bank 3



Table 2-99. Unit Masks for WR_CAS_RANK2

Extension	umask [15:8]	Description
BANK4	bxxx1xxxx	Bank 4
BANK5	bxx1xxxxx	Bank 5
BANK6	bx1xxxxxx	Bank 6
BANK7	b1xxxxxxx	Bank 7

WR_CAS_RANK3

- **Title:** WR_CAS Access to Rank 3
- **Category:** CAS Events
- **Event Code:** 0xbb
- Max. Inc/Cyc.: 1, **Register Restrictions:** 0-3
- **Definition:**

Table 2-100. Unit Masks for WR_CAS_RANK3

Extension	umask [15:8]	Description
BANK0	bxxxxxxx1	Bank 0
BANK1	bxxxxxx1x	Bank 1
BANK2	bxxxxx1xx	Bank 2
BANK3	bxxxx1xxx	Bank 3
BANK4	bxxx1xxxx	Bank 4
BANK5	bxx1xxxxx	Bank 5
BANK6	bx1xxxxxx	Bank 6
BANK7	b1xxxxxxx	Bank 7

WR_CAS_RANK4

- **Title:** WR_CAS Access to Rank 4
- **Category:** CAS Events
- **Event Code:** 0xbc
- Max. Inc/Cyc.: 1, **Register Restrictions:** 0-3
- **Definition:**

Table 2-101. Unit Masks for WR_CAS_RANK4

Extension	umask [15:8]	Description
BANK0	bxxxxxxx1	Bank 0
BANK1	bxxxxxx1x	Bank 1
BANK2	bxxxxx1xx	Bank 2
BANK3	bxxxx1xxx	Bank 3
BANK4	bxxx1xxxx	Bank 4
BANK5	bxx1xxxxx	Bank 5
BANK6	bx1xxxxxx	Bank 6
BANK7	b1xxxxxxx	Bank 7



WR_CAS_RANK5

- **Title:** WR_CAS Access to Rank 5
- **Category:** CAS Events
- **Event Code:** 0xbd
- Max. Inc/Cyc: . 1, **Register Restrictions:** 0-3
- **Definition:**

Table 2-102. Unit Masks for WR_CAS_RANK5

Extension	umask [15:8]	Description
BANK0	bxxxxxxx1	Bank 0
BANK1	bxxxxxx1x	Bank 1
BANK2	bxxxxx1xx	Bank 2
BANK3	bxxxx1xxx	Bank 3
BANK4	bxxx1xxxx	Bank 4
BANK5	bxx1xxxxx	Bank 5
BANK6	bx1xxxxxx	Bank 6
BANK7	b1xxxxxxx	Bank 7

WR_CAS_RANK6

- **Title:** WR_CAS Access to Rank 6
- **Category:** CAS Events
- **Event Code:** 0xbe
- Max. Inc/Cyc: . 1, **Register Restrictions:** 0-3
- **Definition:**

Table 2-103. Unit Masks for WR_CAS_RANK6

Extension	umask [15:8]	Description
BANK0	bxxxxxxx1	Bank 0
BANK1	bxxxxxx1x	Bank 1
BANK2	bxxxxx1xx	Bank 2
BANK3	bxxxx1xxx	Bank 3
BANK4	bxxx1xxxx	Bank 4
BANK5	bxx1xxxxx	Bank 5
BANK6	bx1xxxxxx	Bank 6
BANK7	b1xxxxxxx	Bank 7

WR_CAS_RANK7

- **Title:** WR_CAS Access to Rank 7
- **Category:** CAS Events
- **Event Code:** 0xbf
- Max. Inc/Cyc: . 1, **Register Restrictions:** 0-3
- **Definition:**



Table 2-104. Unit Masks for WR_CAS_RANK7

Extension	umask [15:8]	Description
BANK0	bxxxxxxx1	Bank 0
BANK1	bxxxxxx1x	Bank 1
BANK2	bxxxxx1xx	Bank 2
BANK3	bxxxx1xxx	Bank 3
BANK4	bxxx1xxxx	Bank 4
BANK5	bx1xxxxx	Bank 5
BANK6	bx1xxxxx	Bank 6
BANK7	b1xxxxxx	Bank 7

2.6 IRP PERFORMANCE MONITORING

2.6.1 Overview of the R2PCIe Box

IRP is responsible for maintaining coherency for IIO traffic that needs to be coherent (e.g. cross-socket P2P).

2.6.2 IRP Performance Monitoring Overview

The IRP Box supports event monitoring through two sets of two 48b wide counters (IRP{0,1}_PCI_PMON_CTR/CTL{1:0}). Each of these four counters can be programmed to count any IRP event. The IRP counters can increment by a maximum of 8b per cycle.

For information on how to setup a monitoring session, refer to Section 2.1, “Uncore Per-Socket Performance Monitoring Control”.

2.6.3 IRP Performance Monitors

Table 2-105. IRP Performance Monitoring Registers

Register Name	PCICFG Address	Size (bits)	Description
PCICFG Base Address	Dev:Func		
IRP PMON Registers	D5:F6		
Box-Level Control/Status			
IRP_PCI_PMON_BOX_STATUS	F8	32	IRP PMON Box-Wide Status
IRP_PCI_PMON_BOX_CTL	F4	32	IRP PMON Box-Wide Control
Generic Counter Control			
IRP1_PCI_PMON_CTL1	E4	32	IRP 1 PMON Control for Counter 1
IRP1_PCI_PMON_CTL0	E0	32	IRP 1 PMON Control for Counter 0
IRP0_PCI_PMON_CTL1	DC	32	IRP 0 PMON Control for Counter 1
IRP0_PCI_PMON_CTL0	D8	32	IRP 0 PMON Control for Counter 0



Register Name	PCICFG Address	Size (bits)	Description
Generic Counters			
IRP1_PCI_PMON_CTR1	C0	64	IRP 1 PMON Counter 1
IRP1_PCI_PMON_CTR0	B8	64	IRP 1 PMON Counter 0
IRP0_PCI_PMON_CTR1	B0	64	IRP 0 PMON Counter 1
IRP0_PCI_PMON_CTR0	A0	64	IRP 0 PMON Counter 0

2.6.3.1 IRP Box Level PMON State

The following registers represent the state governing all box-level PMUs in the IRP Box.

In the case of the IRP, the IRP_PCI_PMON_BOX_CTL register provides the ability to manually freeze the counters in the box (*.frz*) and reset the generic state (*.rst_ctrs* and *.rst_ctrl*).

Table 2-106. IRP_PCI_PMON_BOX_CTL Register - Field Definitions

Field	Bits	Attr	HW Reset Val	Description
ig	31:18	RV	0	Ignored
rsv	17:16	RV	0	Reserved; SW must write to 1 else behavior is undefined.
ig	15:9	RV	0	Ignored
frz	8	WO	0	Freeze. If set to 1 the counters in this box will be frozen.
ig	7:2	RV	0	Ignored
rst_ctrs	1	WO	0	Reset Counters. When set to 1, the Counter Registers will be reset to 0.
rst_ctrl	0	WO	0	Reset Control. When set to 1, the Counter Control Registers will be reset to 0.

Table 2-107. IRP_PCI_PMON_BOX_STATUS Register - Field Definitions

Field	Bits	Attr	HW Reset Val	Description
ig	31:4	RV	0	Ignored
ov	3:0	RW1C	0	If an overflow is detected from the corresponding IRP_PCI_PMON_CTR register, it's overflow bit will be set. NOTE: Write of '1' will clear the bit.

2.6.3.2 IRP PMON state - Counter/Control Pairs

The following table defines the layout of the IRP performance monitor control registers. The main task of these configuration registers is to select the event to be monitored by their respective data counter (*.ev_sel*, *.umask*). Additional control bits are provided to shape the incoming events (e.g. *.edge_det*, *.thresh*) as well as provide additional functionality for monitoring software (*.rst*).



Table 2-108. IRP_PCI_PMON_CTL{3-0} Register - Field Definitions

Field	Bits	Attr	HW Reset Val	Description
thresh	31:24	RW-V	0	Threshold used in counter comparison.
rsv	23	RV	0	Reserved. SW must write to 0 else behavior is undefined.
en	22	RW-V	0	Local Counter Enable.
rsv	21:20	RV	0	Reserved. SW must write to 0 else behavior is undefined.
ig	19	RV	0	Ignored
edge_det	18	RW-V	0	When set to 1, rather than measuring the event in each cycle it is active, the corresponding counter will increment when a 0 to 1 transition (i.e. rising edge) is detected. When 0, the counter will increment in each cycle that the event is asserted. NOTE: .edge_det is in series following .thresh. Due to this, the .thresh field must be set to a non-0 value. For events that increment by no more than 1 per cycle, set .thresh to 0x1.
rst	17	WO	0	When set to 1, the corresponding counter will be cleared to 0.
rsv	16	RV	0	Reserved. SW must write to 0 else behavior is undefined.
umask	15:8	RW-V	0	Select subevents to be counted within the selected event.
ev_sel	7:0	RW-V	0	Select event to be counted.

If accessible, software can continuously read the data registers without disabling event collection.

Table 2-109. IRP{0,1}_PCI_PMON_CTR{1-0} Register - Field Definitions

Field	Bits	Attr	HW Reset Val	Description
ig	63:44	RV	0	Ignored
event_count	43:0	RW-V	0	44-bit performance event counter

2.6.4 IRP Performance Monitoring Events

2.6.4.1 An Overview

IRP provides events to track information related to all the traffic passing through it's boundaries.

- Write Cache Occupancy
- Ingress/Egress Traffic - by Ring Type
- Stalls awaiting Credits

2.6.5 IRP Box Events Ordered By Code

The following table summarizes the directly measured IRP Box events.



Symbol Name	Event Code	Ctrs	Max Inc/Cyc	Description
CLOCKTICKS	0x00	0-1	1	Clocks in the IRP
RxR_BL_DRS_INSERTS	0x01	0-1	1	BL Ingress Occupancy - DRS
RxR_BL_NCB_INSERTS	0x02	0-1	1	BL Ingress Occupancy - NCB
RxR_BL_NCS_INSERTS	0x03	0-1	1	BL Ingress Occupancy - NCS
RxR_BL_DRS_CYCLES_FULL	0x04	0-1	1	
RxR_BL_NCB_CYCLES_FULL	0x05	0-1	1	
RxR_BL_NCS_CYCLES_FULL	0x06	0-1	1	
RxR_BL_DRS_OCCUPANCY	0x07	0-1	24	
RxR_BL_NCB_OCCUPANCY	0x08	0-1	24	
RxR_BL_NCS_OCCUPANCY	0x09	0-1	24	
RxR_AK_INSERTS	0x0a	0-1	1	AK Ingress Occupancy
RxR_AK_CYCLES_FULL	0x0b	0-1	1	
RxR_AK_OCCUPANCY	0x0c	0-1	24	
TxR_REQUEST_OCCUPANCY	0x0d	0-1	1	Outbound Request Queue Occupancy
TxR_DATA_INSERTS_NCB	0x0e	0-1	1	Outbound Read Requests
TxR_DATA_INSERTS_NCS	0x0f	0-1	1	Outbound Read Requests
CACHE_READ_OCCUPANCY	0x10	0-1	128	Outstanding Read Occupancy
CACHE_WRITE_OCCUPANCY	0x11	0-1	128	Outstanding Write Occupancy
CACHE_TOTAL_OCCUPANCY	0x12	0-1	128	Total Write Cache Occupancy
CACHE_OWN_OCCUPANCY	0x13	0-1	128	Outstanding Write Ownership Occupancy
CACHE_ACK_PENDING_OCCUPANCY	0x14	0-1	128	Write Ack Pending Occupancy
TRANSACTIONS	0x15	0-1	1	Inbound Transaction Count
TICKLES	0x16	0-1	1	Tickle Count
ADDRESS_MATCH	0x17	0-1	1	Address Match (Conflict) Count
TxR_AD_STALL_CREDIT_CYCLES	0x18	0-1	1	No AD Egress Credit Stalls
TxR_BL_STALL_CREDIT_CYCLES	0x19	0-1	1	No BL Egress Credit Stalls
WRITE_ORDERING_STALL_CYCLES	0x1a	0-1	1	Write Ordering Stalls

2.6.6 IRP Box Performance Monitor Event List

The section enumerates performance monitoring events for the IRP Box.

ADDRESS_MATCH

- **Title:** Address Match (Conflict) Count
- **Category:** ADDRESS_MATCH Events
- **Event Code:** 0x17
- **Max. Inc/Cyc:** 1, **Register Restrictions:** 0-1
- **Definition:** Counts the number of times when an inbound write (from a device to memory or another device) had an address match with another request in the write cache.



Table 2-110. Unit Masks for ADDRESS_MATCH

Extension	umask [15:8]	Description
STALL_COUNT	bxxxxxxx1	Conflict Stalls When it is not possible to merge two conflicting requests, a stall event occurs. This is bad for performance.
MERGE_COUNT	bxxxxxx1x	Conflict Merges When two requests to the same address from the same source are received back to back, it is possible to merge the two of them together.

CACHE_ACK_PENDING_OCCUPANCY

- **Title:** Write Ack Pending Occupancy
- **Category:** WRITE_CACHE Events
- **Event Code:** 0x14
- Max. Inc/Cyc.: 128, **Register Restrictions:** 0-1
- **Definition:** Accumulates the number of writes that have acquired ownership but have not yet returned their data to the uncore. These writes are generally queued up in the switch trying to get to the head of their queues so that they can post their data. The queue occupancy increments when the ACK is received, and decrements when either the data is returned OR a tickle is received and ownership is released. Note that a single tickle can result in multiple decrements.

Table 2-111. Unit Masks for CACHE_ACK_PENDING_OCCUPANCY

Extension	umask [15:8]	Description
ANY	b00000001	Any Source Tracks only those requests that come from the port specified in the IRP_PmonFilter.OrderingQ register. This register allows one to select one specific queue. It is not possible to monitor multiple queues at a time.
SOURCE	b00000010	Select Source Tracks all requests from any source port.

CACHE_OWN_OCCUPANCY

- **Title:** Outstanding Write Ownership Occupancy
- **Category:** WRITE_CACHE Events
- **Event Code:** 0x13
- Max. Inc/Cyc.: 128, **Register Restrictions:** 0-1
- **Definition:** Accumulates the number of writes (and write prefetches) that are outstanding in the uncore trying to acquire ownership in each cycle. This can be used with the write transaction count to calculate the average write latency in the uncore. The occupancy increments when a write request is issued, and decrements when the data is returned.

Table 2-112. Unit Masks for CACHE_OWN_OCCUPANCY

Extension	umask [15:8]	Description
ANY	b00000001	Any Source Tracks all requests from any source port.
SOURCE	b00000010	Select Source Tracks only those requests that come from the port specified in the IRP_PmonFilter.OrderingQ register. This register allows one to select one specific queue. It is not possible to monitor multiple queues at a time.



CACHE_READ_OCCUPANCY

- **Title:** Outstanding Read Occupancy
- **Category:** WRITE_CACHE Events
- **Event Code:** 0x10
- Max. Inc/Cyc: . 128, **Register Restrictions:** 0-1
- **Definition:** Accumulates the number of reads that are outstanding in the uncore in each cycle. This can be used with the read transaction count to calculate the average read latency in the uncore. The occupancy increments when a read request is issued, and decrements when the data is returned.

Table 2-113. Unit Masks for CACHE_READ_OCCUPANCY

Extension	umask [15:8]	Description
ANY	b00000001	Any Source Tracks all requests from any source port.
SOURCE	b00000010	Select Source Tracks only those requests that come from the port specified in the IRP_PmonFilter.OrderingQ register. This register allows one to select one specific queue. It is not possible to monitor multiple queues at a time.

CACHE_TOTAL_OCCUPANCY

- **Title:** Total Write Cache Occupancy
- **Category:** WRITE_CACHE Events
- **Event Code:** 0x12
- Max. Inc/Cyc: . 128, **Register Restrictions:** 0-1
- **Definition:** Accumulates the number of reads and writes that are outstanding in the uncore in each cycle. This is effectively the sum of the READ_OCCUPANCY and WRITE_OCCUPANCY events.

Table 2-114. Unit Masks for CACHE_TOTAL_OCCUPANCY

Extension	umask [15:8]	Description
ANY	b00000001	Any Source Tracks all requests from any source port.
SOURCE	b00000010	Select Source Tracks only those requests that come from the port specified in the IRP_PmonFilter.OrderingQ register. This register allows one to select one specific queue. It is not possible to monitor multiple queues at a time.

CACHE_WRITE_OCCUPANCY

- **Title:** Outstanding Write Occupancy
- **Category:** WRITE_CACHE Events
- **Event Code:** 0x11
- Max. Inc/Cyc: . 128, **Register Restrictions:** 0-1
- **Definition:** Accumulates the number of writes (and write prefetches) that are outstanding in the uncore in each cycle. This can be used with the transaction count event to calculate the average latency in the uncore. The occupancy increments when the ownership fetch/prefetch is issued, and decrements the data is returned to the uncore.



Table 2-115. Unit Masks for CACHE_WRITE_OCCUPANCY

Extension	umask [15:8]	Description
ANY	b00000001	Any Source Tracks all requests from any source port.
SOURCE	b00000010	Select Source Tracks only those requests that come from the port specified in the IRP_PmonFilter.OrderingQ register. This register allows one to select one specific queue. It is not possible to monitor multiple queues at a time.

CLOCKTICKS

- **Title:** Clocks in the IRP
- **Category:** IO_CLKS Events
- **Event Code:** 0x00
- Max. Inc/Cyc.: 1, **Register Restrictions:** 0-1
- **Definition:** Number of clocks in the IRP.

RxR_AK_CYCLES_FULL

- **Title:**
- **Category:** AK_INGRESS Events
- **Event Code:** 0x0b
- Max. Inc/Cyc.: 1, **Register Restrictions:** 0-1
- **Definition:** Counts the number of cycles when the AK Ingress is full. This queue is where the IRP receives responses from R2PCIe (the ring).

RxR_AK_INSERTS

- **Title:** AK Ingress Occupancy
- **Category:** AK_INGRESS Events
- **Event Code:** 0x0a
- Max. Inc/Cyc.: 1, **Register Restrictions:** 0-1
- **Definition:** Counts the number of allocations into the AK Ingress. This queue is where the IRP receives responses from R2PCIe (the ring).

RxR_AK_OCCUPANCY

- **Title:**
- **Category:** AK_INGRESS Events
- **Event Code:** 0x0c
- Max. Inc/Cyc.: 24, **Register Restrictions:** 0-1
- **Definition:** Accumulates the occupancy of the AK Ingress in each cycles. This queue is where the IRP receives responses from R2PCIe (the ring).

RxR_BL_DRS_CYCLES_FULL

- **Title:**
- **Category:** BL_INGRESS_DRS Events
- **Event Code:** 0x04
- Max. Inc/Cyc.: 1, **Register Restrictions:** 0-1
- **Definition:** Counts the number of cycles when the BL Ingress is full. This queue is where the IRP receives data from R2PCIe (the ring). It is used for data returns from read requests as well as outbound MMIO writes.



RxR_BL_DRS_INSERTS

- **Title:** BL Ingress Occupancy - DRS
- **Category:** BL_INGRESS_DRS Events
- **Event Code:** 0x01
- Max. Inc/Cyc: . 1, **Register Restrictions:** 0-1
- **Definition:** Counts the number of allocations into the BL Ingress. This queue is where the IRP receives data from R2PCIe (the ring). It is used for data returns from read requests as well as out-bound MMIO writes.

RxR_BL_DRS_OCCUPANCY

- **Title:**
- **Category:** BL_INGRESS_DRS Events
- **Event Code:** 0x07
- Max. Inc/Cyc: . 24, **Register Restrictions:** 0-1
- **Definition:** Accumulates the occupancy of the BL Ingress in each cycles. This queue is where the IRP receives data from R2PCIe (the ring). It is used for data returns from read requests as well as outbound MMIO writes.

RxR_BL_NCB_CYCLES_FULL

- **Title:**
- **Category:** BL_INGRESS_NCB Events
- **Event Code:** 0x05
- Max. Inc/Cyc: . 1, **Register Restrictions:** 0-1
- **Definition:** Counts the number of cycles when the BL Ingress is full. This queue is where the IRP receives data from R2PCIe (the ring). It is used for data returns from read requests as well as out-bound MMIO writes.

RxR_BL_NCB_INSERTS

- **Title:** BL Ingress Occupancy - NCB
- **Category:** BL_INGRESS_NCB Events
- **Event Code:** 0x02
- Max. Inc/Cyc: . 1, **Register Restrictions:** 0-1
- **Definition:** Counts the number of allocations into the BL Ingress. This queue is where the IRP receives data from R2PCIe (the ring). It is used for data returns from read requests as well as out-bound MMIO writes.

RxR_BL_NCB_OCCUPANCY

- **Title:**
- **Category:** BL_INGRESS_NCB Events
- **Event Code:** 0x08
- Max. Inc/Cyc: . 24, **Register Restrictions:** 0-1
- **Definition:** Accumulates the occupancy of the BL Ingress in each cycles. This queue is where the IRP receives data from R2PCIe (the ring). It is used for data returns from read requests as well as outbound MMIO writes.

RxR_BL_NCS_CYCLES_FULL

- **Title:**
- **Category:** BL_INGRESS_NCS Events
- **Event Code:** 0x06
- Max. Inc/Cyc: . 1, **Register Restrictions:** 0-1



- **Definition:** Counts the number of cycles when the BL Ingress is full. This queue is where the IRP receives data from R2PCIe (the ring). It is used for data returns from read requests as well as outbound MMIO writes.

RxR_BL_NCS_INSERTS

- **Title:** BL Ingress Occupancy - NCS
- **Category:** BL_INGRESS_NCS Events
- **Event Code:** 0x03
- Max. Inc/Cyc.: 1, **Register Restrictions:** 0-1
- **Definition:** Counts the number of allocations into the BL Ingress. This queue is where the IRP receives data from R2PCIe (the ring). It is used for data returns from read requests as well as outbound MMIO writes.

RxR_BL_NCS_OCCUPANCY

- **Title:**
- **Category:** BL_INGRESS_NCS Events
- **Event Code:** 0x09
- Max. Inc/Cyc.: 24, **Register Restrictions:** 0-1
- **Definition:** Accumulates the occupancy of the BL Ingress in each cycles. This queue is where the IRP receives data from R2PCIe (the ring). It is used for data returns from read requests as well as outbound MMIO writes.

TICKLES

- **Title:** Tickle Count
- **Category:** TICKLES Events
- **Event Code:** 0x16
- Max. Inc/Cyc.: 1, **Register Restrictions:** 0-1
- **Definition:** Counts the number of tickles that are received. This is for both explicit (from Cbo) and implicit (internal conflict) tickles.

Table 2-116. Unit Masks for TICKLES

Extension	umask [15:8]	Description
LOST_OWNERSHIP	bxxxxxxx1	Ownership Lost Tracks the number of requests that lost ownership as a result of a tickle. When a tickle comes in, if the request is not at the head of the queue in the switch, then that request as well as any requests behind it in the switch queue will lose ownership and have to re-acquire it later when they get to the head of the queue. This will therefore track the number of requests that lost ownership and not just the number of tickles.
TOP_OF_QUEUE	bxxxxxx1x	Data Returned Tracks the number of cases when a tickle was received but the requests was at the head of the queue in the switch. In this case, data is returned rather than releasing ownership.

TRANSACTIONS

- **Title:** Inbound Transaction Count
- **Category:** TRANSACTIONS Events
- **Event Code:** 0x15
- Max. Inc/Cyc.: 1, **Register Restrictions:** 0-1
- **Definition:** Counts the number of “Inbound” transactions from the IRP to the Uncore. This can be filtered based on request type in addition to the source queue. Note the special filtering equation. We do OR-reduction on the request type. If the SOURCE bit is set, then we also do AND qualification based on the source portID.



Table 2-117. Unit Masks for TRANSACTIONS

Extension	umask [15:8]	Filter Dep	Description
READS	bxxxxxx1		Reads Tracks only read requests (not including read prefetches).
WRITES	bxxxxxx1x		Writes Tracks only write requests. Each write request should have a prefetch, so there is no need to explicitly track these requests. For writes that are tickled and have to retry, the counter will be incremented for each retry.
RD_PREFETCHES	bxxxx1xx		Read Prefetches Tracks the number of read prefetches.
ORDERINGQ	bxxxx1xxx	IRPFilter[4:0]	Select Source Tracks only those requests that come from the port specified in the IRP_PmonFilter.OrderingQ register. This register allows one to select one specific queue. It is not possible to monitor multiple queues at a time. If this bit is not set, then requests from all sources will be counted.

TxR_AD_STALL_CREDIT_CYCLES

- **Title:** No AD Egress Credit Stalls
- **Category:** STALL_CYCLES Events
- **Event Code:** 0x18
- Max. Inc/Cyc: . 1, **Register Restrictions:** 0-1
- **Definition:** Counts the number times when it is not possible to issue a request to the R2PCIE because there are no AD Egress Credits available.

TxR_BL_STALL_CREDIT_CYCLES

- **Title:** No BL Egress Credit Stalls
- **Category:** STALL_CYCLES Events
- **Event Code:** 0x19
- Max. Inc/Cyc: . 1, **Register Restrictions:** 0-1
- **Definition:** Counts the number times when it is not possible to issue data to the R2PCIE because there are no BL Egress Credits available.

TxR_DATA_INSERTS_NCB

- **Title:** Outbound Read Requests
- **Category:** OUTBOUND_REQUESTS Events
- **Event Code:** 0x0e
- Max. Inc/Cyc: . 1, **Register Restrictions:** 0-1
- **Definition:** Counts the number of requests issued to the switch (towards the devices).

TxR_DATA_INSERTS_NCS

- **Title:** Outbound Read Requests
- **Category:** OUTBOUND_REQUESTS Events
- **Event Code:** 0x0f
- Max. Inc/Cyc: . 1, **Register Restrictions:** 0-1
- **Definition:** Counts the number of requests issued to the switch (towards the devices).



TxR_REQUEST_OCCUPANCY

- **Title:** Outbound Request Queue Occupancy
- **Category:** OUTBOUND_REQUESTS Events
- **Event Code:** 0x0d
- Max. Inc/Cyc.: 1, **Register Restrictions:** 0-1
- **Definition:** Accumulates the number of outstanding outbound requests from the IRP to the switch (towards the devices). This can be used in conjunction with the allocations event in order to calculate average latency of outbound requests.

WRITE_ORDERING_STALL_CYCLES

- **Title:** Write Ordering Stalls
- **Category:** STALL_CYCLES Events
- **Event Code:** 0x1a
- Max. Inc/Cyc.: 1, **Register Restrictions:** 0-1
- **Definition:** Counts the number of cycles when there are pending write ACK's in the switch but the switch->IRP pipeline is not utilized.

2.7 POWER CONTROL (PCU) PERFORMANCE MONITORING

2.7.1 Overview of the PCU

The PCU is the primary Power Controller for the physical processor package.

The uncore implements a power control unit acting as a core/uncore power and thermal manager. It runs its firmware on an internal micro-controller and coordinates the socket's power states.

The PCU algorithmically governs the P-state of the processor, C-state of the core and the package C-state of the socket. It also enables the core to go to a higher performance state ("turbo mode") when the proper set of conditions are met. Conversely, the PCU will throttle the processor to a lower performance state when a thermal violation occurs.

Through specific events, the OS and the PCU will either promote or demote the C-State of each core by altering the voltage and frequency. The system power state (S-state) of all the sockets in the system is managed by the server legacy bridge in coordination with all socket PCUs.

The PCU communicates to all the other units through multiple PMLink interfaces on-die and Message Channel to access their registers. The OS and BIOS communicates to the PCU thru standardized MSR registers and ACPI.

The PCU also acts as the interface to external management controllers via PECCI and voltage regulators (NPTM). The DMI interface is the communication path from the southbridge for system power management.

NOTE

Many power saving features are tracked as events in their respective units. For example, Intel® QPI Link Power saving states and Memory CKE statistics are captured in the Intel® QPI Perfmon and iMC Perfmon respectively.

2.7.2 PCU Performance Monitoring Overview

The uncore PCU supports event monitoring through four 48-bit wide counters (PCU_MSR_PMON_CTR{3:0}). Each of these counters can be programmed



(PCU_MSR_PMON_CTL{3:0}) to monitor any PCU event. The PCU counters can increment by a maximum of 4b per cycle.

Two extra 64-bit counters are also provided by the PCU to track C-State Residence. Although documented in this manual for reference, these counters exist outside of the PMON infrastructure.

For information on how to setup a monitoring session, refer to Section 2.1, “Uncore Per-Socket Performance Monitoring Control”.

2.7.2.1 PCU PMON Registers - On Overflow and the Consequences (PMI/Freeze)

If an overflow is detected from a PCU performance counter enabled to communicate its overflow (PCU_MSR_PMON_CTL.ov_en is set to 1), the overflow bit is set at the box level (PCU_MSR_PMON_BOX_STATUS.ov) and an overflow message is sent to the UBox. When the UBox receives the overflow signal, the U_MSR_PMON_GLOBAL_STATUS.ov_p bit is set (see Table 2-3, “U_MSR_PMON_GLOBAL_STATUS Register – Field Definitions”) and a PMI can be generated.

Once a freeze has occurred, in order to see a new freeze, the overflow field responsible for the freeze, must be cleared by setting the corresponding bit in PCU_MSR_PMON_BOX_STATUS.ov and U_MSR_PMON_GLOBAL_STATUS.ov_p to 0. Assuming all the counters have been locally enabled (.en bit in control registers meant to monitor events) and the overflow bit(s) has been cleared, the PCU is prepared for a new sample interval. Once the global controls have been re-enabled (Section 2.1.4, “Enabling a New Sample Interval from Frozen Counters”), counting will resume.

2.7.3 PCU Performance Monitors

Table 2-118. PCU Performance Monitoring MSRs

MSR Name	MSR Address	Size (bits)	Description
Generic Counters			
PCU_MSR_PMON_CTR3	0x0C39	64	PCU PMON Counter 3
PCU_MSR_PMON_CTR2	0x0C38	64	PCU PMON Counter 2
PCU_MSR_PMON_CTR1	0x0C37	64	PCU PMON Counter 1
PCU_MSR_PMON_CTR0	0x0C36	64	PCU PMON Counter 0
Box-Level Filter			
PCU_MSR_PMON_BOX_FILTER	0x0C34	32	PCU PMON Filter
Generic Counter Control			
PCU_MSR_PMON_CTL3	0x0C33	32	PCU PMON Control for Counter 3
PCU_MSR_PMON_CTL2	0x0C32	32	PCU PMON Control for Counter 2
PCU_MSR_PMON_CTL1	0x0C31	32	PCU PMON Control for Counter 1
PCU_MSR_PMON_CTL0	0x0C30	32	PCU PMON Control for Counter 0
Box-Level Control/Status			
PCU_MSR_PMON_BOX_STATUS	0x0C35	32	PCU PMON Box-Wide Status
PCU_MSR_PMON_BOX_CTL	0x0C24	32	PCU PMON Box-Wide Control
Fixed (Non-PMON) Counters			
PCU_MSR_CORE_C6_CTR	0x03FD	64	Fixed C-State Residency Counter
PCU_MSR_CORE_C3_CTR	0x03FC	64	Fixed C-State Residency Counter



2.7.3.1 PCU Box Level PMON State

The following registers represent the state governing all box-level PMUs in the PCU.

In the case of the PCU, the PCU_MSR_PMON_BOX_CTL register provides the ability to manually freeze the counters in the box (*.frz*) and reset the generic state (*.rst_ctrs* and *.rst_ctrl*).

The PCU provides two extra MSRs that provide additional static performance information to software but exist outside of the PMON infrastructure (e.g. they can't be frozen or reset). They are included for the convenience of software developers need to efficiently access this data.

If an overflow is detected from one of the PCU PMON registers, the corresponding bit in the PCU_MSR_PMON_BOX_STATUS.ov field will be set. To reset these overflow bits, a user must write a value of '1' to them (which will clear the bits).

Table 2-119. PCU_MSR_PMON_BOX_CTL Register - Field Definitions

Field	Bits	Attr	HW Reset Val	Description
rsv	31:18	RV	0	Reserved
rsv	17:16	RV	0	Reserved; SW must write to 1 else behavior is undefined.
rsv	15:9	RV	0	Reserved
frz	8	WO	0	Freeze. If set to 1 the counters in this box will be frozen.
rsv	7:2	RV	0	Reserved
rst_ctrs	1	WO	0	Reset Counters. When set to 1, the Counter Registers will be reset to 0.
rst_ctrl	0	WO	0	Reset Control. When set to 1, the Counter Control Registers will be reset to 0.

Table 2-120. PCU_MSR_PMON_BOX_STATUS Register - Field Definitions

Field	Bits	Attr	HW Reset Val	Description
rsv	31:4	RV	0	Reserved
ov	3:0	RW1C	0	If an overflow is detected from the corresponding PCU_MSR_PMON_CTR register, it's overflow bit will be set. NOTE: Write of '1' will clear the bit.

2.7.3.2 PCU PMON state - Counter/Control Pairs

The following table defines the layout of the PCU performance monitor control registers. The main task of these configuration registers is to select the event to be monitored by their respective data counter (*.ev_sel*, *.umask*). Additional control bits are provided to shape the incoming events (e.g. *.edge_det*, *.thresh*) as well as provide additional functionality for monitoring software (*.rst*, *.ov_en*).

Due to the fact that much of the PCU's functionality is provided by an embedded microcontroller, many of the available events are generated by the microcontroller and handed off to the hardware for capture by the PMON registers. Among the events generated by the microcontroller are occupancy events allowing a user to measure the number of cores in a given C-state per-cycle. Given this unique situation, extra control bits are provided to filter the output of the these special occupancy events.

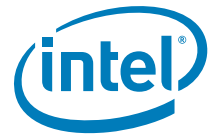


- *.occ_invert* - Changes the *.thresh* test condition to '<' for the occupancy events (when *.ev_sel[7]* is set to 1)

- *.occ_edge_det* - Rather than accumulating the raw count each cycle (for events that can increment by 1 per cycle), the register can capture transitions from no event to an event incoming for the PCU's occupancy events (when *.ev_sel[7]* is set to 1).

Table 2-121. PCU_MSR_PMON_CTL{3-0} Register - Field Definitions

Field	Bits	Attr	HW Reset Val	Description
occ_edge_det	31	RW-V	0	Enables edge detect for occupancy events (<i>.ev_sel[7]</i> is 1) When set to 1, rather than measuring the event in each cycle it is active, the corresponding counter will increment when a 0 to 1 transition (i.e. rising edge) is detected. When 0, the counter will increment in each cycle that the event is asserted. NOTE: <i>.edge_det</i> is in series following <i>.thresh</i> . Due to this, the <i>.thresh</i> field must be set to a non-0 value. For events that increment by no more than 1 per cycle, set <i>.thresh</i> to 0x1.
occ_invert	30	RW-V	0	Invert comparison against Threshold for the PCU Occupancy events (<i>.ev_sel[7]</i> is 1) 0 - comparison will be 'is event increment >= threshold?'. 1 - comparison is inverted - 'is event increment < threshold?' NOTE: <i>.invert</i> is in series following <i>.thresh</i> . Due to this, the <i>.thresh</i> field must be set to a non-0 value. For events that increment by no more than 1 per cycle, set <i>.thresh</i> to 0x1. Also, if <i>.edge_det</i> is set to 1, the counter will increment when a 1 to 0 transition (i.e. falling edge) is detected.
rsv	29	RV	0	Reserved. SW must write to 0 else behavior is undefined.
thresh	28:24	RW-V	0	Threshold used in counter comparison.
rsv	23	RV	0	Reserved. SW must write to 0 else behavior is undefined.
en	22	RW-V	0	Local Counter Enable.
ev_sel_ext	21	RW-V	0	Extension bit to the Event Select field.
ov_en	20	RW-V	0	When this bit is asserted and the corresponding counter overflows, its overflow bit is set in the local status register (PCU_PMON_BOX_STATUS.ov) and an overflow is sent on the message channel to the UBox. When the overflow is received by the UBox, the bit corresponding to this PCU will be set in U_MSR_PMON_GLOBAL_STATUS.ov_p.
rsv	19	RV	0	Reserved
edge_det	18	RW-V	0	When set to 1, rather than measuring the event in each cycle it is active, the corresponding counter will increment when a 0 to 1 transition (i.e. rising edge) is detected. When 0, the counter will increment in each cycle that the event is asserted. NOTE: <i>.edge_det</i> is in series following <i>.thresh</i> . Due to this, the <i>.thresh</i> field must be set to a non-0 value. For events that increment by no more than 1 per cycle, set <i>.thresh</i> to 0x1.
rst	17	WO	0	When set to 1, the corresponding counter will be cleared to 0.
rsv	16	RV	0	Reserved



Field	Bits	Attr	HW Reset Val	Description
occ_sel	15:14	RW-V	0	Select which of three occupancy counters to use. 01 - Cores in C0 10 - Cores in C3 11 - Cores in C6
rsv	13:8	RV	0	Reserved
ev_sel	7:0	RW-V	0	Select event to be counted. NOTE: Bit 7 denotes whether the event requires the use of an occupancy subcounter.

The PCU performance monitor data registers are 48-bit wide. A counter overflow occurs when a carry out from bit 47 is detected. Software can force all uncore counting to freeze after N events by preloading a monitor with a count value of $2^{48} - N$ and setting the control register to send an overflow message to the UBox (refer to Section 2.1.1, “Counter Overflow”). During the interval of time between overflow and global disable, the counter value will wrap and continue to collect events. If accessible, software can continuously read the data registers without disabling event collection.

Table 2-122. PCU_MSR_PMON_CTR{3-0} Register - Field Definitions

Field	Bits	Attr	HW Reset Val	Description
rsv	63:48	RV	0	Reserved
event_count	47:0	RW-V	0	48-bit performance event counter

Context sensitive filtering is provided for through the PCU_MSR_PMON_BOX_FILTER register.

- For frequency/voltage band filters, the multiplier is at 100MHz granularity. So, a value of 32 (0x20) would represent a frequency of 3.2GHz.
- Support for limited Frequency/Voltage Band histogramming. Each of the four bands provided for in the filter may be simultaneously tracked by the corresponding event

NOTE

Since use of the register as a filter is heavily overloaded, simultaneous application of this filter to additional events in the same run is severely limited.



Table 2-123. PCU_MSR_PMON_BOX_FILTER Register - Field Definitions

Field	Bits	Attr	HW Reset Val	Description
rsv	63:48	RV	0	Reserved
filt31_24	31:24	RW-V	0	Band 3 - For Voltage/Frequency Band Event
filt23_16	23:16	RW-V	0	Band 2 - For Voltage/Frequency Band Event
filt15_8	15:8	RW-V	0	Band 1 - For Voltage/Frequency Band Event
filt7_0	7:0	RW-V	0	Band 0 - For Voltage/Frequency Band Event

The PCU includes two extra MSR's that track the number of cycles a core (any core) is in either the C3 or C6 state. As mentioned before, these counters are not part of the PMON infrastructure so they can't be frozen or reset with the otherwise controlled by the PCU PMON control registers.

NOTE

To be clear, these counters track the number of cycles some core is in C3/6 state. It does not track the total number of cores in the C3/6 state in any cycle. For that, a user should refer to the regular PCU event list.

Table 2-124. PCU_MSR_CORE_C6_CTR Register - Field Definitions

Field	Bits	Attr	HW Reset Val	Description
event_count	63:0	RW-V	0	64-bit performance event counter

Table 2-125. PCU_MSR_CORE_C3_CTR Register - Field Definitions

Field	Bits	Attr	HW Reset Val	Description
event_count	63:0	RW-V	0	64-bit performance event counter

2.7.4 PCU Performance Monitoring Events

2.7.4.1 An Overview:

The PCU provides the ability to capture information covering a wide range of the PCU's functionality including:

- Number of cores in a given C-state per-cycle
- Core State Transitions - there are a larger number of events provided to track when cores transition C-state, when the enter/exit specific C-states, when they receive a C-state demotion, etc.
- Package State Transitions
- Frequency/Voltage Banding - ability to measure the number of cycles the uncore was operating within a frequency or voltage 'band' that can be specified in a separate filter register.



NOTE

Given the nature of many of the PCU events, a great deal of additional information can be measured by setting the *.edge_det* bit. By doing so, an event such as “Cycles Changing Frequency” becomes “Number of Frequency Transitions.”

On Occupancy Events:

Because it is not possible to “sync” the PCU occupancy counters by employing tricks such as bus lock before the events start incrementing, the PCU has provided fixed occupancy counters to track the major queues.

1. Cores in C0 (4 bits)
2. Cores in C3 (4 bits)
3. Cores in C6 (4 bits)

Some Examples for Unlocking More Advanced Features:

The PCU perfmon implementation/programming is more complicated than many of the other units. As such, it is best to describe how to use them with a couple examples.

- Case 1: Cycles there was a Voltage Transition (Simple Event)
- Case 2: Cores in C0 (Occupancy Accumulation)
- Case 3: Cycles w/ more than 4 cores in C0 (Occupancy Thresholding)
- Case 4: Transitions into more than 4 cores in C0 (Thresholding + Edge Detect)
- Case 5: Cycles a) w/ > 4 Cores in C0 and b) there was a Voltage Transition

Table 2-126. PCU Configuration Examples

Config	Case					
	1	2	3	4	5	6
Counter Control 0						
.ev_sel		0x80	0x80	0x80	0x80	0x80
.occ_sel		0x1	0x1	0x1	0x1	0x1
.thresh		0x0	0x5	0x5	0x5	0x4
.occ_edge_det		0	0	1	0	0
Counter Control 1						
.ev_sel	0x03				0x03	0x0B
Filter	0x00	0x00	0x00	0x00	0x00	0x14

2.7.5 PCU Box Events Ordered By Code

The following table summarizes the directly measured PCU Box events.

Symbol Name	Event Code	Ctrs	Extra Select Bit	Max Inc/ Cyc	Description
CLOCKTICKS	0x00	0-3	0	1	pclk Cycles



Symbol Name	Event Code	Ctrs	Extra Select Bit	Max Inc/ Cyc	Description
VOLT_TRANS_CYCLES_INCREASE	0x01	0-3	0	1	Cycles Increasing Voltage
VOLT_TRANS_CYCLES_DECREASE	0x02	0-3	0	1	Cycles Decreasing Voltage
VOLT_TRANS_CYCLES_CHANGE	0x03	0-3	0	1	Cycles Changing Voltage
FREQ_MAX_LIMIT_THERMAL_CYCLE S	0x04	0-3	0	1	Thermal Strongest Upper Limit Cycles
FREQ_MAX_POWER_CYCLES	0x05	0-3	0	1	Power Strongest Upper Limit Cycles
FREQ_MAX_OS_CYCLES	0x06	0-3	0	1	OS Strongest Upper Limit Cycles
FREQ_MAX_CURRENT_CYCLES	0x07	0-3	0	1	Current Strongest Upper Limit Cycles
PROCHOT_INTERNAL_CYCLES	0x09	0-3	0	1	Internal Prochot
PROCHOT_EXTERNAL_CYCLES	0x0a	0-3	0	1	External Prochot
FREQ_BAND0_CYCLES	0x0b	0-3	0	1	Frequency Residency
FREQ_BAND1_CYCLES	0x0c	0-3	0	1	Frequency Residency
FREQ_BAND2_CYCLES	0x0d	0-3	0	1	Frequency Residency
FREQ_BAND3_CYCLES	0x0e	0-3	0	1	Frequency Residency
DEMOTIONS_CORE0	0x1e	0-3	0	1	Core 0 C State Demotions
DEMOTIONS_CORE1	0x1f	0-3	0	1	Core 1 C State Demotions
DEMOTIONS_CORE2	0x20	0-3	0	1	Core 2 C State Demotions
DEMOTIONS_CORE3	0x21	0-3	0	1	Core 3 C State Demotions
DEMOTIONS_CORE4	0x22	0-3	0	1	Core 4 C State Demotions
DEMOTIONS_CORE5	0x23	0-3	0	1	Core 5 C State Demotions
DEMOTIONS_CORE6	0x24	0-3	0	1	Core 6 C State Demotions
DEMOTIONS_CORE7	0x25	0-3	0	1	Core 7 C State Demotions
MEMORY_PHASE_SHEDDING_CYCLE S	0x2f	0-3	0	1	Memory Phase Shedding Cycles
VR_HOT_CYCLES	0x32	0-3	0	1	VR Hot
DEMOTIONS_CORE8	0x40	0-3	0	1	Core 8 C State Demotions
DEMOTIONS_CORE9	0x41	0-3	0	1	Core 9 C State Demotions
DEMOTIONS_CORE10	0x42	0-3	0	1	Core 10 C State Demotions
DEMOTIONS_CORE11	0x43	0-3	0	1	Core 11 C State Demotions
DEMOTIONS_CORE12	0x44	0-3	0	1	Core 12 C State Demotions
DEMOTIONS_CORE13	0x45	0-3	0	1	Core 13 C State Demotions
DEMOTIONS_CORE14	0x46	0-3	0	1	Core 14 C State Demotions
FREQ_TRANS_CYCLES	0x60	0-3	0	1	Cycles spent changing Frequency
FREQ_MIN_IO_P_CYCLES	0x61	0-3	0	1	IO P Limit Strongest Lower Limit Cycles
TOTAL_TRANSITION_CYCLES	0x63	0-3	0	1	Total Core C State Transition Cycles
CORE0_TRANSITION_CYCLES	0x70	0-3	0	1	Core 0 C State Transition Cycles
CORE1_TRANSITION_CYCLES	0x71	0-3	0	1	Core 1 C State Transition Cycles
CORE2_TRANSITION_CYCLES	0x72	0-3	0	1	Core 2 C State Transition Cycles
CORE3_TRANSITION_CYCLES	0x73	0-3	0	1	Core 3 C State Transition Cycles



Symbol Name	Event Code	Ctrs	Extra Select Bit	Max Inc/ Cyc	Description
CORE4_TRANSITION_CYCLES	0x74	0-3	0	1	Core 4 C State Transition Cycles
CORE5_TRANSITION_CYCLES	0x75	0-3	0	1	Core 5 C State Transition Cycles
CORE6_TRANSITION_CYCLES	0x76	0-3	0	1	Core 6 C State Transition Cycles
CORE7_TRANSITION_CYCLES	0x77	0-3	0	1	Core 7 C State Transition Cycles
CORE8_TRANSITION_CYCLES	0x78	0-3	0	1	Core 8 C State Transition Cycles
CORE9_TRANSITION_CYCLES	0x79	0-3	0	1	Core 9 C State Transition Cycles
CORE10_TRANSITION_CYCLES	0x7a	0-3	0	1	Core 10 C State Transition Cycles
CORE11_TRANSITION_CYCLES	0x7b	0-3	0	1	Core 11 C State Transition Cycles
CORE12_TRANSITION_CYCLES	0x7c	0-3	0	1	Core 12 C State Transition Cycles
CORE13_TRANSITION_CYCLES	0x7d	0-3	0	1	Core 13 C State Transition Cycles
CORE14_TRANSITION_CYCLES	0x7e	0-3	0	1	Core 14 C State Transition Cycles
POWER_STATE_OCCUPANCY	0x80	0-3	0	8	Number of cores in C-State
FREQ_MIN_PERF_P_CYCLES	0x02	0-3	1	1	Perf P Limit Strongest Lower Limit Cycles
DELAYED_C_STATE_ABORT_CORE0	0x17	0-3	1	1	Deep C State Rejection - Core 0
DELAYED_C_STATE_ABORT_CORE1	0x18	0-3	1	1	Deep C State Rejection - Core 1
DELAYED_C_STATE_ABORT_CORE2	0x19	0-3	1	1	Deep C State Rejection - Core 2
DELAYED_C_STATE_ABORT_CORE3	0x1a	0-3	1	1	Deep C State Rejection - Core 3
DELAYED_C_STATE_ABORT_CORE4	0x1b	0-3	1	1	Deep C State Rejection - Core 4
DELAYED_C_STATE_ABORT_CORE5	0x1c	0-3	1	1	Deep C State Rejection - Core 5
DELAYED_C_STATE_ABORT_CORE6	0x1d	0-3	1	1	Deep C State Rejection - Core 6
DELAYED_C_STATE_ABORT_CORE7	0x1e	0-3	1	1	Deep C State Rejection - Core 7
DELAYED_C_STATE_ABORT_CORE8	0x1f	0-3	1	1	Deep C State Rejection - Core 8
DELAYED_C_STATE_ABORT_CORE9	0x20	0-3	1	1	Deep C State Rejection - Core 9
DELAYED_C_STATE_ABORT_CORE10	0x21	0-3	1	1	Deep C State Rejection - Core 10
DELAYED_C_STATE_ABORT_CORE11	0x22	0-3	1	1	Deep C State Rejection - Core 11
DELAYED_C_STATE_ABORT_CORE12	0x23	0-3	1	1	Deep C State Rejection - Core 12
DELAYED_C_STATE_ABORT_CORE13	0x24	0-3	1	1	Deep C State Rejection - Core 13
DELAYED_C_STATE_ABORT_CORE14	0x25	0-3	1	1	Deep C State Rejection - Core 14
PKG_C_EXIT_LATENCY	0x26	0-3	1	1	Package C State Exit Latency

2.7.6 PCU Box Common Metrics (Derived Events)

The following table summarizes metrics commonly calculated from PCU Box events.



Symbol Name: Definition	Equation
PCT_CYC_FREQ_CURRENT_LTD: Percentage of Cycles the Max Frequency is limited by current	$FREQ_MAX_CURRENT_CYCLES / CLOCKTICKS$
PCT_CYC_FREQ_OS_LTD: Percentage of Cycles the Max Frequency is limited by the OS	$FREQ_MAX_OS_CYCLES / CLOCKTICKS$
PCT_CYC_FREQ_POWER_LTD: Percentage of Cycles the Max Frequency is limited by power	$FREQ_MAX_POWER_CYCLES / CLOCKTICKS$
PCT_CYC_FREQ_THERMAL_LTD: Percentage of Cycles the Max Frequency is limited by thermal issues	$FREQ_MAX_CURRENT_CYCLES / CLOCKTICKS$

2.7.7 PCU Box Performance Monitor Event List

The section enumerates performance monitoring events for the PCU Box.

CLOCKTICKS

- **Title:** pclk Cycles
- **Category:** PCLK Events
- **Event Code:** 0x00
- Max. Inc/Cyc: . 1, **Register Restrictions:** 0-3
- **Definition:** The PCU runs off a fixed 800 MHz clock. This event counts the number of pclk cycles measured while the counter was enabled. The pclk, like the Memory Controller's dclk, counts at a constant rate making it a good measure of actual wall time.

CORE0_TRANSITION_CYCLES

- **Title:** Core 0 C State Transition Cycles
- **Category:** CORE_C_STATE_TRANSITION Events
- **Event Code:** 0x70
- Max. Inc/Cyc: . 1, **Register Restrictions:** 0-3
- **Definition:** Number of cycles spent performing core C state transitions. There is one event per core.
- **NOTE:** This only tracks the hardware portion in the RCFSM (CFCFSM). This portion is just doing the core C state transition. It does not include any necessary frequency/voltage transitions.

CORE10_TRANSITION_CYCLES

- **Title:** Core 10 C State Transition Cycles
- **Category:** CORE_C_STATE_TRANSITION Events
- **Event Code:** 0x7a
- Max. Inc/Cyc: . 1, **Register Restrictions:** 0-3
- **Definition:** Number of cycles spent performing core C state transitions. There is one event per core.

CORE11_TRANSITION_CYCLES

- **Title:** Core 11 C State Transition Cycles
- **Category:** CORE_C_STATE_TRANSITION Events
- **Event Code:** 0x7b
- Max. Inc/Cyc: . 1, **Register Restrictions:** 0-3



- **Definition:** Number of cycles spent performing core C state transitions. There is one event per core.

CORE12_TRANSITION_CYCLES

- **Title:** Core 12 C State Transition Cycles
- **Category:** CORE_C_STATE_TRANSITION Events
- **Event Code:** 0x7c
- Max. Inc/Cyc.: 1, **Register Restrictions:** 0-3
- **Definition:** Number of cycles spent performing core C state transitions. There is one event per core.

CORE13_TRANSITION_CYCLES

- **Title:** Core 13 C State Transition Cycles
- **Category:** CORE_C_STATE_TRANSITION Events
- **Event Code:** 0x7d
- Max. Inc/Cyc.: 1, **Register Restrictions:** 0-3
- **Definition:** Number of cycles spent performing core C state transitions. There is one event per core.

CORE14_TRANSITION_CYCLES

- **Title:** Core 14 C State Transition Cycles
- **Category:** CORE_C_STATE_TRANSITION Events
- **Event Code:** 0x7e
- Max. Inc/Cyc.: 1, **Register Restrictions:** 0-3
- **Definition:** Number of cycles spent performing core C state transitions. There is one event per core.

CORE1_TRANSITION_CYCLES

- **Title:** Core 1 C State Transition Cycles
- **Category:** CORE_C_STATE_TRANSITION Events
- **Event Code:** 0x71
- Max. Inc/Cyc.: 1, **Register Restrictions:** 0-3
- **Definition:** Number of cycles spent performing core C state transitions. There is one event per core.

CORE2_TRANSITION_CYCLES

- **Title:** Core 2 C State Transition Cycles
- **Category:** CORE_C_STATE_TRANSITION Events
- **Event Code:** 0x72
- Max. Inc/Cyc.: 1, **Register Restrictions:** 0-3
- **Definition:** Number of cycles spent performing core C state transitions. There is one event per core.

CORE3_TRANSITION_CYCLES

- **Title:** Core 3 C State Transition Cycles
- **Category:** CORE_C_STATE_TRANSITION Events
- **Event Code:** 0x73
- Max. Inc/Cyc.: 1, **Register Restrictions:** 0-3
- **Definition:** Number of cycles spent performing core C state transitions. There is one event per core.



CORE4_TRANSITION_CYCLES

- **Title:** Core 4 C State Transition Cycles
- **Category:** CORE_C_STATE_TRANSITION Events
- **Event Code:** 0x74
- Max. Inc/Cyc: . 1, **Register Restrictions:** 0-3
- **Definition:** Number of cycles spent performing core C state transitions. There is one event per core.

CORE5_TRANSITION_CYCLES

- **Title:** Core 5 C State Transition Cycles
- **Category:** CORE_C_STATE_TRANSITION Events
- **Event Code:** 0x75
- Max. Inc/Cyc: . 1, **Register Restrictions:** 0-3
- **Definition:** Number of cycles spent performing core C state transitions. There is one event per core.

CORE6_TRANSITION_CYCLES

- **Title:** Core 6 C State Transition Cycles
- **Category:** CORE_C_STATE_TRANSITION Events
- **Event Code:** 0x76
- Max. Inc/Cyc: . 1, **Register Restrictions:** 0-3
- **Definition:** Number of cycles spent performing core C state transitions. There is one event per core.

CORE7_TRANSITION_CYCLES

- **Title:** Core 7 C State Transition Cycles
- **Category:** CORE_C_STATE_TRANSITION Events
- **Event Code:** 0x77
- Max. Inc/Cyc: . 1, **Register Restrictions:** 0-3
- **Definition:** Number of cycles spent performing core C state transitions. There is one event per core.

CORE8_TRANSITION_CYCLES

- **Title:** Core 8 C State Transition Cycles
- **Category:** CORE_C_STATE_TRANSITION Events
- **Event Code:** 0x78
- Max. Inc/Cyc: . 1, **Register Restrictions:** 0-3
- **Definition:** Number of cycles spent performing core C state transitions. There is one event per core.
- **NOTE:** This only tracks the hardware portion in the RCFSM (CFCFSM). This portion is just doing the core C state transition. It does not include any necessary frequency/voltage transitions.

CORE9_TRANSITION_CYCLES

- **Title:** Core 9 C State Transition Cycles
- **Category:** CORE_C_STATE_TRANSITION Events
- **Event Code:** 0x79
- Max. Inc/Cyc: . 1, **Register Restrictions:** 0-3
- **Definition:** Number of cycles spent performing core C state transitions. There is one event per core.



DELAYED_C_STATE_ABORT_CORE0

- **Title:** Deep C State Rejection - Core 0
- **Category:** Delayed C-State Events
- **Event Code:** 0x17
- **Extra Select Bit:** Y
- Max. Inc/Cyc.: 1, **Register Restrictions:** 0-3
- **Definition:** Number of times that a deep C state was requested, but the delayed C state algorithm “rejected” the deep sleep state. In other words, a wake event occurred before the timer expired that causes a transition into the deeper C state.

DELAYED_C_STATE_ABORT_CORE1

- **Title:** Deep C State Rejection - Core 1
- **Category:** Delayed C-State Events
- **Event Code:** 0x18
- **Extra Select Bit:** Y
- Max. Inc/Cyc.: 1, **Register Restrictions:** 0-3
- **Definition:** Number of times that a deep C state was requested, but the delayed C state algorithm “rejected” the deep sleep state. In other words, a wake event occurred before the timer expired that causes a transition into the deeper C state.

DELAYED_C_STATE_ABORT_CORE10

- **Title:** Deep C State Rejection - Core 10
- **Category:** Delayed C-State Events
- **Event Code:** 0x21
- **Extra Select Bit:** Y
- Max. Inc/Cyc.: 1, **Register Restrictions:** 0-3
- **Definition:** Number of times that a deep C state was requested, but the delayed C state algorithm “rejected” the deep sleep state. In other words, a wake event occurred before the timer expired that causes a transition into the deeper C state.

DELAYED_C_STATE_ABORT_CORE11

- **Title:** Deep C State Rejection - Core 11
- **Category:** Delayed C-State Events
- **Event Code:** 0x22
- **Extra Select Bit:** Y
- Max. Inc/Cyc.: 1, **Register Restrictions:** 0-3
- **Definition:** Number of times that a deep C state was requested, but the delayed C state algorithm “rejected” the deep sleep state. In other words, a wake event occurred before the timer expired that causes a transition into the deeper C state.

DELAYED_C_STATE_ABORT_CORE12

- **Title:** Deep C State Rejection - Core 12
- **Category:** Delayed C-State Events
- **Event Code:** 0x23
- **Extra Select Bit:** Y
- Max. Inc/Cyc.: 1, **Register Restrictions:** 0-3
- **Definition:** Number of times that a deep C state was requested, but the delayed C state algorithm “rejected” the deep sleep state. In other words, a wake event occurred before the timer expired that causes a transition into the deeper C state.



DELAYED_C_STATE_ABORT_CORE13

- **Title:** Deep C State Rejection - Core 13
- **Category:** Delayed C-State Events
- **Event Code:** 0x24
- **Extra Select Bit:** Y
- Max. Inc/Cyc: . 1, **Register Restrictions:** 0-3
- **Definition:** Number of times that a deep C state was requested, but the delayed C state algorithm “rejected” the deep sleep state. In other words, a wake event occurred before the timer expired that causes a transition into the deeper C state.

DELAYED_C_STATE_ABORT_CORE14

- **Title:** Deep C State Rejection - Core 14
- **Category:** Delayed C-State Events
- **Event Code:** 0x25
- **Extra Select Bit:** Y
- Max. Inc/Cyc: . 1, **Register Restrictions:** 0-3
- **Definition:** Number of times that a deep C state was requested, but the delayed C state algorithm “rejected” the deep sleep state. In other words, a wake event occurred before the timer expired that causes a transition into the deeper C state.

DELAYED_C_STATE_ABORT_CORE2

- **Title:** Deep C State Rejection - Core 2
- **Category:** Delayed C-State Events
- **Event Code:** 0x19
- **Extra Select Bit:** Y
- Max. Inc/Cyc: . 1, **Register Restrictions:** 0-3
- **Definition:** Number of times that a deep C state was requested, but the delayed C state algorithm “rejected” the deep sleep state. In other words, a wake event occurred before the timer expired that causes a transition into the deeper C state.

DELAYED_C_STATE_ABORT_CORE3

- **Title:** Deep C State Rejection - Core 3
- **Category:** Delayed C-State Events
- **Event Code:** 0x1a
- **Extra Select Bit:** Y
- Max. Inc/Cyc: . 1, **Register Restrictions:** 0-3
- **Definition:** Number of times that a deep C state was requested, but the delayed C state algorithm “rejected” the deep sleep state. In other words, a wake event occurred before the timer expired that causes a transition into the deeper C state.

DELAYED_C_STATE_ABORT_CORE4

- **Title:** Deep C State Rejection - Core 4
- **Category:** Delayed C-State Events
- **Event Code:** 0x1b
- **Extra Select Bit:** Y
- Max. Inc/Cyc: . 1, **Register Restrictions:** 0-3
- **Definition:** Number of times that a deep C state was requested, but the delayed C state algorithm “rejected” the deep sleep state. In other words, a wake event occurred before the timer expired that causes a transition into the deeper C state.



DELAYED_C_STATE_ABORT_CORE5

- **Title:** Deep C State Rejection - Core 5
- **Category:** Delayed C-State Events
- **Event Code:** 0x1c
- **Extra Select Bit:** Y
- Max. Inc/Cyc.: 1, **Register Restrictions:** 0-3
- **Definition:** Number of times that a deep C state was requested, but the delayed C state algorithm “rejected” the deep sleep state. In other words, a wake event occurred before the timer expired that causes a transition into the deeper C state.

DELAYED_C_STATE_ABORT_CORE6

- **Title:** Deep C State Rejection - Core 6
- **Category:** Delayed C-State Events
- **Event Code:** 0x1d
- **Extra Select Bit:** Y
- Max. Inc/Cyc.: 1, **Register Restrictions:** 0-3
- **Definition:** Number of times that a deep C state was requested, but the delayed C state algorithm “rejected” the deep sleep state. In other words, a wake event occurred before the timer expired that causes a transition into the deeper C state.

DELAYED_C_STATE_ABORT_CORE7

- **Title:** Deep C State Rejection - Core 7
- **Category:** Delayed C-State Events
- **Event Code:** 0x1e
- **Extra Select Bit:** Y
- Max. Inc/Cyc.: 1, **Register Restrictions:** 0-3
- **Definition:** Number of times that a deep C state was requested, but the delayed C state algorithm “rejected” the deep sleep state. In other words, a wake event occurred before the timer expired that causes a transition into the deeper C state.

DELAYED_C_STATE_ABORT_CORE8

- **Title:** Deep C State Rejection - Core 8
- **Category:** Delayed C-State Events
- **Event Code:** 0x1f
- **Extra Select Bit:** Y
- Max. Inc/Cyc.: 1, **Register Restrictions:** 0-3
- **Definition:** Number of times that a deep C state was requested, but the delayed C state algorithm “rejected” the deep sleep state. In other words, a wake event occurred before the timer expired that causes a transition into the deeper C state.

DELAYED_C_STATE_ABORT_CORE9

- **Title:** Deep C State Rejection - Core 9
- **Category:** Delayed C-State Events
- **Event Code:** 0x20
- **Extra Select Bit:** Y
- Max. Inc/Cyc.: 1, **Register Restrictions:** 0-3
- **Definition:** Number of times that a deep C state was requested, but the delayed C state algorithm “rejected” the deep sleep state. In other words, a wake event occurred before the timer expired that causes a transition into the deeper C state.



DEMOTIONS_CORE0

- **Title:** Core 0 C State Demotions
- **Category:** CORE_C_STATE_TRANSITION Events
- **Event Code:** 0x1e
- Max. Inc/Cyc: . 1, **Register Restrictions:** 0-3
- **Filter Dependency:** PCUFilter[7:0]
- **Definition:** Counts the number of times when a configurable cores had a C-state demotion

DEMOTIONS_CORE1

- **Title:** Core 1 C State Demotions
- **Category:** CORE_C_STATE_TRANSITION Events
- **Event Code:** 0x1f
- Max. Inc/Cyc: . 1, **Register Restrictions:** 0-3
- **Filter Dependency:** PCUFilter[7:0]
- **Definition:** Counts the number of times when a configurable cores had a C-state demotion

DEMOTIONS_CORE10

- **Title:** Core 10 C State Demotions
- **Category:** CORE_C_STATE_TRANSITION Events
- **Event Code:** 0x42
- Max. Inc/Cyc: . 1, **Register Restrictions:** 0-3
- **Filter Dependency:** PCUFilter[7:0]
- **Definition:** Counts the number of times when a configurable cores had a C-state demotion

DEMOTIONS_CORE11

- **Title:** Core 11 C State Demotions
- **Category:** CORE_C_STATE_TRANSITION Events
- **Event Code:** 0x43
- Max. Inc/Cyc: . 1, **Register Restrictions:** 0-3
- **Filter Dependency:** PCUFilter[7:0]
- **Definition:** Counts the number of times when a configurable cores had a C-state demotion

DEMOTIONS_CORE12

- **Title:** Core 12 C State Demotions
- **Category:** CORE_C_STATE_TRANSITION Events
- **Event Code:** 0x44
- Max. Inc/Cyc: . 1, **Register Restrictions:** 0-3
- **Filter Dependency:** PCUFilter[7:0]
- **Definition:** Counts the number of times when a configurable cores had a C-state demotion

DEMOTIONS_CORE13

- **Title:** Core 13 C State Demotions
- **Category:** CORE_C_STATE_TRANSITION Events
- **Event Code:** 0x45
- Max. Inc/Cyc: . 1, **Register Restrictions:** 0-3
- **Filter Dependency:** PCUFilter[7:0]
- **Definition:** Counts the number of times when a configurable cores had a C-state demotion



DEMOTIONS_CORE14

- **Title:** Core 14 C State Demotions
- **Category:** CORE_C_STATE_TRANSITION Events
- **Event Code:** 0x46
- Max. Inc/Cyc.: 1, **Register Restrictions:** 0-3
- **Filter Dependency:** PCUFilter[7:0]
- **Definition:** Counts the number of times when a configurable cores had a C-state demotion

DEMOTIONS_CORE2

- **Title:** Core 2 C State Demotions
- **Category:** CORE_C_STATE_TRANSITION Events
- **Event Code:** 0x20
- Max. Inc/Cyc.: 1, **Register Restrictions:** 0-3
- **Filter Dependency:** PCUFilter[7:0]
- **Definition:** Counts the number of times when a configurable cores had a C-state demotion

DEMOTIONS_CORE3

- **Title:** Core 3 C State Demotions
- **Category:** CORE_C_STATE_TRANSITION Events
- **Event Code:** 0x21
- Max. Inc/Cyc.: 1, **Register Restrictions:** 0-3
- **Filter Dependency:** PCUFilter[7:0]
- **Definition:** Counts the number of times when a configurable cores had a C-state demotion

DEMOTIONS_CORE4

- **Title:** Core 4 C State Demotions
- **Category:** CORE_C_STATE_TRANSITION Events
- **Event Code:** 0x22
- Max. Inc/Cyc.: 1, **Register Restrictions:** 0-3
- **Filter Dependency:** PCUFilter[7:0]
- **Definition:** Counts the number of times when a configurable cores had a C-state demotion

DEMOTIONS_CORE5

- **Title:** Core 5 C State Demotions
- **Category:** CORE_C_STATE_TRANSITION Events
- **Event Code:** 0x23
- Max. Inc/Cyc.: 1, **Register Restrictions:** 0-3
- **Filter Dependency:** PCUFilter[7:0]
- **Definition:** Counts the number of times when a configurable cores had a C-state demotion

DEMOTIONS_CORE6

- **Title:** Core 6 C State Demotions
- **Category:** CORE_C_STATE_TRANSITION Events
- **Event Code:** 0x24
- Max. Inc/Cyc.: 1, **Register Restrictions:** 0-3
- **Filter Dependency:** PCUFilter[7:0]
- **Definition:** Counts the number of times when a configurable cores had a C-state demotion



DEMOTIONS_CORE7

- **Title:** Core 7 C State Demotions
- **Category:** CORE_C_STATE_TRANSITION Events
- **Event Code:** 0x25
- Max. Inc/Cyc: . 1, **Register Restrictions:** 0-3
- **Filter Dependency:** PCUFilter[7:0]
- **Definition:** Counts the number of times when a configurable cores had a C-state demotion

DEMOTIONS_CORE8

- **Title:** Core 8 C State Demotions
- **Category:** CORE_C_STATE_TRANSITION Events
- **Event Code:** 0x40
- Max. Inc/Cyc: . 1, **Register Restrictions:** 0-3
- **Filter Dependency:** PCUFilter[7:0]
- **Definition:** Counts the number of times when a configurable cores had a C-state demotion

DEMOTIONS_CORE9

- **Title:** Core 9 C State Demotions
- **Category:** CORE_C_STATE_TRANSITION Events
- **Event Code:** 0x41
- Max. Inc/Cyc: . 1, **Register Restrictions:** 0-3
- **Filter Dependency:** PCUFilter[7:0]
- **Definition:** Counts the number of times when a configurable cores had a C-state demotion

FREQ_BAND0_CYCLES

- **Title:** Frequency Residency
- **Category:** FREQ_RESIDENCY Events
- **Event Code:** 0x0b
- Max. Inc/Cyc: . 1, **Register Restrictions:** 0-3
- **Filter Dependency:** PCUFilter[7:0]
- **Definition:** Counts the number of cycles that the uncore was running at a frequency greater than or equal to the frequency that is configured in the filter. One can use all four counters with this event, so it is possible to track up to 4 configurable bands. One can use edge detect in conjunction with this event to track the number of times that we transitioned into a frequency greater than or equal to the configurable frequency. One can also use inversion to track cycles when we were less than the configured frequency.
- **NOTE:** The PMON control registers in the PCU only update on a frequency transition. Changing the measuring threshold during a sample interval may introduce errors in the counts. This is especially true when running at a constant frequency for an extended period of time. There is a corner case here: we set this code on the GV transition. So, if we never GV we will never call this code. This event does not include transition times. It is handled on fast path.

FREQ_BAND1_CYCLES

- **Title:** Frequency Residency
- **Category:** FREQ_RESIDENCY Events
- **Event Code:** 0x0c
- Max. Inc/Cyc: . 1, **Register Restrictions:** 0-3
- **Filter Dependency:** PCUFilter[15:8]
- **Definition:** Counts the number of cycles that the uncore was running at a frequency greater than or equal to the frequency that is configured in the filter. One can use all four counters with this event, so it is possible to track up to 4 configurable bands. One can use edge detect in conjunction



with this event to track the number of times that we transitioned into a frequency greater than or equal to the configurable frequency. One can also use inversion to track cycles when we were less than the configured frequency.

- **NOTE:** The PMON control registers in the PCU only update on a frequency transition. Changing the measuring threshold during a sample interval may introduce errors in the counts. This is especially true when running at a constant frequency for an extended period of time. There is a corner case here: we set this code on the GV transition. So, if we never GV we will never call this code. This event does not include transition times. It is handled on fast path.

FREQ_BAND2_CYCLES

- **Title:** Frequency Residency
- **Category:** FREQ_RESIDENCY Events
- **Event Code:** 0x0d
- Max. Inc/Cyc.: 1, **Register Restrictions:** 0-3
- **Filter Dependency:** PCUFilter[23:16]
- **Definition:** Counts the number of cycles that the uncore was running at a frequency greater than or equal to the frequency that is configured in the filter. One can use all four counters with this event, so it is possible to track up to 4 configurable bands. One can use edge detect in conjunction with this event to track the number of times that we transitioned into a frequency greater than or equal to the configurable frequency. One can also use inversion to track cycles when we were less than the configured frequency.
- **NOTE:** The PMON control registers in the PCU only update on a frequency transition. Changing the measuring threshold during a sample interval may introduce errors in the counts. This is especially true when running at a constant frequency for an extended period of time. There is a corner case here: we set this code on the GV transition. So, if we never GV we will never call this code. This event does not include transition times. It is handled on fast path.

FREQ_BAND3_CYCLES

- **Title:** Frequency Residency
- **Category:** FREQ_RESIDENCY Events
- **Event Code:** 0x0e
- Max. Inc/Cyc.: 1, **Register Restrictions:** 0-3
- **Filter Dependency:** PCUFilter[31:24]
- **Definition:** Counts the number of cycles that the uncore was running at a frequency greater than or equal to the frequency that is configured in the filter. One can use all four counters with this event, so it is possible to track up to 4 configurable bands. One can use edge detect in conjunction with this event to track the number of times that we transitioned into a frequency greater than or equal to the configurable frequency. One can also use inversion to track cycles when we were less than the configured frequency.
- **NOTE:** The PMON control registers in the PCU only update on a frequency transition. Changing the measuring threshold during a sample interval may introduce errors in the counts. This is especially true when running at a constant frequency for an extended period of time. There is a corner case here: we set this code on the GV transition. So, if we never GV we will never call this code. This event does not include transition times. It is handled on fast path.

FREQ_MAX_CURRENT_CYCLES

- **Title:** Current Strongest Upper Limit Cycles
- **Category:** FREQ_MAX_LIMIT Events
- **Event Code:** 0x07
- Max. Inc/Cyc.: 1, **Register Restrictions:** 0-3
- **Definition:** Counts the number of cycles when current is the upper limit on frequency.
- **NOTE:** This is fast path, will clear our other limits when it happens. The slow loop portion, which covers the other limits, can double count EDP. Clearing should fix this up in the next fast path event, but this will happen. Add up all the cycles and it won't make sense, but the general distribution is true.



FREQ_MAX_LIMIT_THERMAL_CYCLES

- **Title:** Thermal Strongest Upper Limit Cycles
- **Category:** FREQ_MAX_LIMIT Events
- **Event Code:** 0x04
- Max. Inc/Cyc: . 1, **Register Restrictions:** 0-3
- **Definition:** Counts the number of cycles when thermal conditions are the upper limit on frequency. This is related to the THERMAL_THROTTLE_CYCLES_ABOVE_TEMP event, which always counts cycles when we are above the thermal temperature. This event (STRONGEST_UPPER_LIMIT) is sampled at the output of the algorithm that determines the actual frequency, while THERMAL_THROTTLE looks at the input.

FREQ_MAX_OS_CYCLES

- **Title:** OS Strongest Upper Limit Cycles
- **Category:** FREQ_MAX_LIMIT Events
- **Event Code:** 0x06
- Max. Inc/Cyc: . 1, **Register Restrictions:** 0-3
- **Definition:** Counts the number of cycles when the OS is the upper limit on frequency.
- **NOTE:** Essentially, this event says the OS is getting the frequency it requested.

FREQ_MAX_POWER_CYCLES

- **Title:** Power Strongest Upper Limit Cycles
- **Category:** FREQ_MAX_LIMIT Events
- **Event Code:** 0x05
- Max. Inc/Cyc: . 1, **Register Restrictions:** 0-3
- **Definition:** Counts the number of cycles when power is the upper limit on frequency.

FREQ_MIN_IO_P_CYCLES

- **Title:** IO P Limit Strongest Lower Limit Cycles
- **Category:** FREQ_MIN_LIMIT Events
- **Event Code:** 0x61
- Max. Inc/Cyc: . 1, **Register Restrictions:** 0-3
- **Definition:** Counts the number of cycles when IO P Limit is preventing us from dropping the frequency lower. This algorithm monitors the needs to the IO subsystem on both local and remote sockets and will maintain a frequency high enough to maintain good IO BW. This is necessary for when all the IA cores on a socket are idle but a user still would like to maintain high IO Bandwidth.

FREQ_MIN_PERF_P_CYCLES

- **Title:** Perf P Limit Strongest Lower Limit Cycles
- **Category:** FREQ_MIN_LIMIT Events
- **Event Code:** 0x02
- **Extra Select Bit:** Y
- Max. Inc/Cyc: . 1, **Register Restrictions:** 0-3
- **Definition:** Counts the number of cycles when Perf P Limit is preventing us from dropping the frequency lower. Perf P Limit is an algorithm that takes input from remote sockets when determining if a socket should drop it's frequency down. This is largely to minimize increases in snoop and remote read latencies.



FREQ_TRANS_CYCLES

- **Title:** Cycles spent changing Frequency
- **Category:** FREQ_TRANS Events
- **Event Code:** 0x60
- Max. Inc/Cyc.: 1, **Register Restrictions:** 0-3
- **Definition:** Counts the number of cycles when the system is changing frequency. This can not be filtered by thread ID. One can also use it with the occupancy counter that monitors number of threads in C0 to estimate the performance impact that frequency transitions had on the system.

MEMORY_PHASE_SHEDDING_CYCLES

- **Title:** Memory Phase Shedding Cycles
- **Category:** MEMORY_PHASE_SHEDDING Events
- **Event Code:** 0x2f
- Max. Inc/Cyc.: 1, **Register Restrictions:** 0-3
- **Definition:** Counts the number of cycles that the PCU has triggered memory phase shedding. This is a mode that can be run in the iMC physicals that saves power at the expense of additional latency.
- **NOTE:** Package C1

PKG_C_EXIT_LATENCY

- **Title:** Package C State Exit Latency
- **Category:** PKG_C_STATE_TRANSITION Events
- **Event Code:** 0x26
- **Extra Select Bit:** Y
- Max. Inc/Cyc.: 1, **Register Restrictions:** 0-3
- **Definition:** Counts the number of cycles that the package is transitioning from package C2 to C3.
- **NOTE:** This can be used in conjunction with edge detect to count C3 entrances.

POWER_STATE_OCCUPANCY

- **Title:** Number of cores in C-State
- **Category:** POWER_STATE_OCC Events
- **Event Code:** 0x80
- Max. Inc/Cyc.: 8, **Register Restrictions:** 0-3
- **Definition:** This is an occupancy event that tracks the number of cores that are in the chosen C-State. It can be used by itself to get the average number of cores in that C-state with thresholding to generate histograms, or with other PCU events and occupancy triggering to capture other details.

Table 2-127. Unit Masks for POWER_STATE_OCCUPANCY

Extension	umask [15:8]	Description
CORES_C0	b01000000	C0 and C1
CORES_C3	b10000000	C3
CORES_C6	b11000000	C6 and C7

PROCHOT_EXTERNAL_CYCLES

- **Title:** External Prochot
- **Category:** PROCHOT Events
- **Event Code:** 0x0a
- Max. Inc/Cyc.: 1, **Register Restrictions:** 0-3



- **Definition:** Counts the number of cycles that we are in external PROCHOT mode. This mode is triggered when a sensor off the die determines that something off-die (like DRAM) is too hot and must throttle to avoid damaging the chip.

PROCHOT_INTERNAL_CYCLES

- **Title:** Internal Prochot
- **Category:** PROCHOT Events
- **Event Code:** 0x09
- Max. Inc/Cyc: . 1, **Register Restrictions:** 0-3
- **Definition:** Counts the number of cycles that we are in Internal PROCHOT mode. This mode is triggered when a sensor on the die determines that we are too hot and must throttle to avoid damaging the chip.

TOTAL_TRANSITION_CYCLES

- **Title:** Total Core C State Transition Cycles
- **Category:** CORE_C_STATE_TRANSITION Events
- **Event Code:** 0x63
- Max. Inc/Cyc: . 1, **Register Restrictions:** 0-3
- **Definition:** Number of cycles spent performing core C state transitions across all cores.

VOLT_TRANS_CYCLES_CHANGE

- **Title:** Cycles Changing Voltage
- **Category:** VOLT_TRANS Events
- **Event Code:** 0x03
- Max. Inc/Cyc: . 1, **Register Restrictions:** 0-3
- **Definition:** Counts the number of cycles when the system is changing voltage. There is no filtering supported with this event. One can use it as a simple event, or use it conjunction with the occupancy events to monitor the number of cores or threads that were impacted by the transition. This event is calculated by OR'ing together the increasing and decreasing events.

VOLT_TRANS_CYCLES_DECREASE

- **Title:** Cycles Decreasing Voltage
- **Category:** VOLT_TRANS Events
- **Event Code:** 0x02
- Max. Inc/Cyc: . 1, **Register Restrictions:** 0-3
- **Definition:** Counts the number of cycles when the system is decreasing voltage. There is no filtering supported with this event. One can use it as a simple event, or use it conjunction with the occupancy events to monitor the number of cores or threads that were impacted by the transition.

VOLT_TRANS_CYCLES_INCREASE

- **Title:** Cycles Increasing Voltage
- **Category:** VOLT_TRANS Events
- **Event Code:** 0x01
- Max. Inc/Cyc: . 1, **Register Restrictions:** 0-3
- **Definition:** Counts the number of cycles when the system is increasing voltage. There is no filtering supported with this event. One can use it as a simple event, or use it conjunction with the occupancy events to monitor the number of cores or threads that were impacted by the transition.



VR_HOT_CYCLES

- **Title:** VR Hot
- **Category:** VR_HOT Events
- **Event Code:** 0x32
- Max. Inc/Cyc: . 1, **Register Restrictions:** 0-3
- **Definition:**

2.8 INTEL® QPI LINK LAYER PERFORMANCE MONITORING

2.8.1 Overview of the Intel® QPI Box

The Intel® QPI Link Layer is responsible for packetizing requests from the caching agent on the way out to the system interface. As such, it shares responsibility with the CBo(s) as the Intel QPI caching agent(s). It is responsible for converting CBo requests to Intel QPI messages (i.e. snoop generation and data response messages from the snoop response) as well as converting/forwarding ring messages to Intel QPI packets and vice versa. On Ivy Bridge, Intel® QPI is split into two separate layers. The Intel® QPI LL (link layer) is responsible for generating, transmitting, and receiving packets with the Intel® QPI link.

R3QPI (Section 2.10, “R3QPI Performance Monitoring”) provides the interface to the Ring for the Link Layer. It is also the point where VNA/VNO link credits are acquired. There are two Intel® QPI agents in Ivy Bridge that share a single ring stop and a third agent in the EX part with its own ring stop. These links can be connected to a single destination (such as in DP), but also can be connected to two separate destinations (4s Ring or sDP). Therefore, it will be necessary to count Intel® QPI statistics for each agent separately. The Intel® QPI Link Layer processes two flits per cycle in each direction. In order to accommodate this, many of the events in the Link Layer can increment by 0, 1, or 2 in each cycle. It is not possible to monitor Rx (received) and Tx (transmitted) flit information at the same time on the same counter.

2.8.2 Intel® QPI Performance Monitoring Overview

Each Intel® QPI Port supports event monitoring through four 48b wide counters (Q_Py_PCI_PMON_CTR/CTL{3:0}). Each of these four counters can be programmed to count any Intel® QPI event. The Intel® QPI counters can increment by a maximum of 8b per cycle.

Each Intel® QPI Port also includes a mask/match register that allows a user to match packets, according to various standard packet fields such as message class, opcode, etc, as they leave the QPI Port.

For information on how to setup a monitoring session, refer to Section 2.1, “Uncore Per-Socket Performance Monitoring Control”.

2.8.2.1 QPI PMON Registers - On Overflow and the Consequences (PMI/Freeze)

If an overflow is detected from a QPI performance counter enabled to communicate its overflow (Q_Py_PCI_PMON_CTL.ov_en is set to 1), the overflow bit is set at the box level (Q_Py_PCI_PMON_BOX_STATUS.ov) and an overflow message is sent to the UBox. When the UBox receives the overflow signal, the U_MSR_PMON_GLOBAL_STATUS.ov_q bit corresponding to the QPI Port generating the overflow is set (see Table 2-3, “U_MSR_PMON_GLOBAL_STATUS Register – Field Definitions”) and a PMI can be generated.

Once a freeze has occurred, in order to see a new freeze, the overflow field responsible for the freeze, must be cleared by setting the corresponding bit in Q_Py_PCI_PMON_BOX_STATUS.ov and



U_MSR_PMON_GLOBAL_STATU.ov_q. Assuming all the counters have been locally enabled (.en bit in data registers meant to monitor events) and the overflow bit(s) has been cleared, the QPI Port is prepared for a new sample interval. Once the global controls have been re-enabled (Section 2.1.4, “Enabling a New Sample Interval from Frozen Counters”), counting will resume.

2.8.3 Intel® QPI Performance Monitors

Table 2-128. Intel® QPI Performance Monitoring Registers

Register Name	PCICFG Address	Size (bits)	Description
PCICFG Base Address	Dev:Func		
QPI0 Port 0 PMON Registers	D8:F2		
QPI0 Port 1 PMON Registers	D9:F2		
QPI1 Port 2 PMON Registers	D24:F2		
Box-Level Control/Status			
Q_Py_PCI_PMON_BOX_STATUS	F8	32	QPI Port y PMON Box-Wide Status
Q_Py_PCI_PMON_BOX_CTL	F4	32	QPI Port y PMON Box-Wide Control
Generic Counter Control			
Q_Py_PCI_PMON_CTL3	E4	32	QPI Port y PMON Control for Counter 3
Q_Py_PCI_PMON_CTL2	E0	32	QPI Port y PMON Control for Counter 2
Q_Py_PCI_PMON_CTL1	DC	32	QPI Port y PMON Control for Counter 1
Q_Py_PCI_PMON_CTL0	D8	32	QPI Port y PMON Control for Counter 0
Generic Counters			
Q_Py_PCI_PMON_CTR3	BC+B8	32x2	QPI Port y PMON Counter 3
Q_Py_PCI_PMON_CTR2	B4+B0	32x2	QPI Port y PMON Counter 2
Q_Py_PCI_PMON_CTR1	AC+A8	32x2	QPI Port y PMON Counter 1
Q_Py_PCI_PMON_CTR0	A4+A0	32x2	QPI Port y PMON Counter 0
QPI0 Mask/Match Port 0 PMON Registers	D8:F6		
QPI0 Mask/Match Port 1 PMON Registers	D9:F6		
QPI1 Mask/Match Port 2 PMON Registers	D24:F6		
Box-Level Filters			
Q_Py_PCI_PMON_PKT_MASK1	23C	32	QPI Port y PMON Packet Filter Mask 1
Q_Py_PCI_PMON_PKT_MASK0	238	32	QPI Port y PMON Packet Filter Mask 0
Q_Py_PCI_PMON_PKT_MATCH1	22C	32	QPI Port y PMON Packet Filter Match 1
Q_Py_PCI_PMON_PKT_MATCH0	228	32	QPI Port y PMON Packet Filter Mask 0
QPI0 Misc Register Port 0,1	D8:F0		
QPI1 Misc Register Port 2	D24:F0		
Misc (Non-PMON) Counters			
QPI_RATE_STATUS	0xD4	32	QPI Rate Status



2.8.3.1 Intel® QPI Box Level PMON State

The following registers represent the state governing all box-level PMUs in each Port of the Intel® QPI Box.

In the case of the Intel® QPI Ports, the Q_Py_PCI_PMON_BOX_CTL register provides the ability to manually freeze the counters in the box (*.frz*) and reset the generic state (*.rst_ctrs* and *.rst_ctrl*).

If an overflow is detected from one of the QPI PMON registers, the corresponding bit in the Q_Py_PCI_PMON_BOX_STATUS.ov field will be set. To reset these overflow bits, a user must write a value of '1' to them (which will clear the bits).

Table 2-129. Q_Py_PCI_PMON_BOX_CTL Register - Field Definitions

Field	Bits	Attr	HW Reset Val	Description
ig	31:18	RV	0	Ignored
rsv	17:16	RV	0	Reserved; SW must write to 1 else behavior is undefined.
ig	15:9	RV	0	Ignored
frz	8	WO	0	Freeze. If set to 1 the counters in this box will be frozen.
ig	7:2	RV	0	Ignored
rst_ctrs	1	WO	0	Reset Counters. When set to 1, the Counter Registers will be reset to 0.
rst_ctrl	0	WO	0	Reset Control. When set to 1, the Counter Control Registers will be reset to 0.

Table 2-130. Q_Py_PCI_PMON_BOX_STATUS Register - Field Definitions

Field	Bits	Attr	HW Reset Val	Description
ig	31:5	RV	0	Ignored
rsv	4	RV	0	Reserved; SW must write to 0 else behavior is undefined.
ov	3:0	RW1C	0	If an overflow is detected from the corresponding Q_Py_PCI_PMON_CTR register, it's overflow bit will be set. NOTE: Write of '1' will clear the bit.

2.8.3.2 Intel® QPI PMON state - Counter/Control Pairs

The following table defines the layout of the Intel® QPI performance monitor control registers. The main task of these configuration registers is to select the event to be monitored by their respective data counter (*.ev_sel*, *.umask*, *.ev_sel_ext*). Additional control bits are provided to shape the incoming events (e.g. *.edge_det*, *.thresh*) as well as provide additional functionality for monitoring software (*.rst*, *.ov_en*).



Table 2-131. Q_Py_PCI_PMON_CTL{3-0} Register - Field Definitions

Field	Bits	Attr	HW Reset Val	Description
thresh	31:24	RW-V	0	Threshold used in counter comparison.
rsv	23	RV	0	Reserved. SW must write to 0 else behavior is undefined.
en	22	RW-V	0	Local Counter Enable.
ev_sel_ext	21	RW-V	0	Extension bit to the Event Select field.
ov_en	20	RW-V	0	When this bit is asserted and the corresponding counter overflows, its overflow bit is set in the local status register (Q_Py_PCI_PMON_BOX_STATUS.ov) and an overflow is sent on the message channel to the UBox. When the overflow is received by the UBox, the bit corresponding to this QPI will be set in U_MSR_PMON_GLOBAL_STATUS.ov_q{1,0}.
ig	19	RV	0	Ignored
edge_det	18	RW-V	0	When set to 1, rather than measuring the event in each cycle it is active, the corresponding counter will increment when a 0 to 1 transition (i.e. rising edge) is detected. When 0, the counter will increment in each cycle that the event is asserted. NOTE: .edge_det is in series following .thresh. Due to this, the .thresh field must be set to a non-0 value. For events that increment by no more than 1 per cycle, set .thresh to 0x1.
rst	17	WO	0	When set to 1, the corresponding counter will be cleared to 0.
rsv	16	RV	0	Reserved. SW must write to 0 else behavior is undefined.
umask	15:8	RW-V	0	Select subevents to be counted within the selected event.
ev_sel	7:0	RW-V	0	Select event to be counted.

The Intel® QPI performance monitor data registers are 48b wide. A counter overflow occurs when a carry out from bit 47 is detected. Software can force all uncore counting to freeze after N events by preloading a monitor with a count value of $2^{48} - N$ and setting the control register to send an overflow message to the UBox (Section 2.1.1.1, “Freezing on Counter Overflow”). During the interval of time between overflow and global disable, the counter value will wrap and continue to collect events.

If accessible, software can continuously read the data registers without disabling event collection.

Table 2-132. Q_Py_PCI_PMON_CTR{3-0} Register - Field Definitions

Field	Bits	Attr	HW Reset Val	Description
ig	63:48	RV	0	Ignored
event_count	47:0	RW-V	0	48-bit performance event counter

2.8.3.3 Intel® QPI Registers for Packet Mask/Match Facility

In addition to generic event counting, each port of the Intel® QPI Link Layer provides two pairs of MATCH/MASK registers that allow a user to filter packet traffic serviced (crossing from an input port to an output port) by the Intel® QPI Link Layer. Filtering can be performed according to the packet Opcode, Message Class, Response, HNID and Physical Address. Program the selected QPI LL counter to capture CTO_COUNT in order to capture the filter match as an event.

To use the match/mask facility:



a) Program the match/mask regs (see Table 2-133, “Q_Py_PCI_PMON_PKT_MATCH1 Registers” through Table 2-136, “Q_Py_PCI_PMON_PKT_MASK0 Registers”).

b) Set the counter’s control register event select to 0x38 (CTO_COUNT) to capture the mask/match as a performance event.

The following table contains the packet traffic that can be monitored if one of the mask/match registers was chosen to select the event.

Table 2-133. Q_Py_PCI_PMON_PKT_MATCH1 Registers

Field	Bits	HW Reset Val	Description
---	31:20	0x0	Reserved; Must write to 0 else behavior is undefined.
RDS	19:16	0x0	Response Data State (valid when MC == DRS and Opcode == 0x0-2). Bit settings are mutually exclusive. b1000 - Modified b0100 - Exclusive b0010 - Shared b0001 - Forwarding b0000 - Invalid (Non-Coherent)
---	15:4	0x0	Reserved; Must write to 0 else behavior is undefined.
RNID_3_0	3:0	0x0	Remote Node ID(3:0 - Least Significant Bits)

Table 2-134. Q_Py_PCI_PMON_PKT_MATCH0 Registers (Sheet 1 of 2)

Field	Bits	HW Reset Val	Description
RNID_4	31	0x0	Remote Node ID(Bit 4 - Most Significant Bit)
---	30:18	0x0	Reserved; Must write to 0 else behavior is undefined.
DNID	17:13	0x0	Destination Node ID
MC	12:9	0x0	Message Class b0000 HOM - Requests b0001 HOM - Responses b0010 NDR b0011 SNP b0100 NCS --- b1100 NCB --- b1110 DRS



Table 2-134. Q_Py_PCI_PMON_PKT_MATCH0 Registers (Sheet 2 of 2)

Field	Bits	HW Reset Val	Description
OPC	8:5	0x0	Opcode DRS,NCB: [8] Packet Size, 0 == 9 flits, 1 == 11 flits NCS: [8] Packet Size, 0 == 1 or 2 flits, 1 == 3 flits See Section 2.11, "Packet Matching Reference" for a listing of opcodes that may be filtered per message class.
VNW	4:3	0x0	Virtual Network b00 - VNO b01 - VN1 b1x - VNA
---	2:0	0x0	Reserved; Must write to 0 else behavior is undefined.

Table 2-135. Q_Py_PCI_PMON_PKT_MASK1 Registers

Field	Bits	HW Reset Val	Description
---	31:20	0x0	Reserved; Must write to 0 else behavior is undefined.
RDS	19:16	0x0	Response Data State (valid when MC == DRS and Opcode == 0x0-2). Bit settings are mutually exclusive. b1000 - Modified b0100 - Exclusive b0010 - Shared b0001 - Forwarding b0000 - Invalid (Non-Coherent)
---	15:4	0x0	Reserved; Must write to 0 else behavior is undefined.
RNID_3_0	3:0	0x0	Remote Node ID(3:0 - Least Significant Bits)

Table 2-136. Q_Py_PCI_PMON_PKT_MASK0 Registers (Sheet 1 of 2)

Field	Bits	HW Reset Val	Description
RNID_4	31	0x0	Remote Node ID(Bit 4 - Most Significant Bit)
---	30:18	0x0	Reserved; Must write to 0 else behavior is undefined.
DNID	17:13	0x0	Destination Node ID
MC	12:9	0x0	Message Class



Table 2-136. Q_Py_PCI_PMON_PKT_MASK0 Registers (Sheet 2 of 2)

Field	Bits	HW Reset Val	Description
OPC	8:5	0x0	Opcode See Section 2.11, "Packet Matching Reference" for a listing of opcodes that may be filtered per message class.
VNW	4:3	0x0	Virtual Network
---	2:0	0x0	Reserved; Must write to 0 else behavior is undefined.

Events Derived from Packet Filters

Following is a selection of common events that may be derived by using the Intel® QPI packet matching facility. The Match/Mask columns correspond to the Match0/Mask0 registers. For the cases where additional fields need to be specified, they will be noted.

Table 2-137. Message Events Derived from the Match/Mask filters

Field	Match [12:0]	Mask [12:0]	Description
DRS.AnyDataC	0x1C00	0x1F80	Any Data Response message containing a cache line in response to a core request. The AnyDataC messages are only sent to a C-Box. The metric DRS.AnyResp - DRS.AnyDataC will compute the number of DRS writeback and non snoop write messages.
DRS.DataC_M	0x1C00 && Match1 [19:16] 0x8	0x1FE0 && Mask1 [19:16] 0xF	Data Response message of a cache line in M state that is response to a core request. The DRS.DataC_M messages are only sent to Intel® QPI.
DRS.DataC_E	0x1C00 && Match1 [19:16] 0x4	0x1FE0 && Mask1 [19:16] 0xF	Data Response message of a cache line in E state that is response to a core request. The DRS.DataC_E messages are only sent to Intel® QPI.
DRS.DataC_F	0x1C00 && Match1 [19:16] 0x1	0x1FE0 && Mask1 [19:16] 0xF	Data Response message of a cache line in F state that is response to a core request. The DRS.DataC_F messages are only sent to Intel® QPI.
DRS.DataC_E_Cmp	0x1C40 && Match1 [19:16] 0x4	0x1FE0 && Mask1 [19:16] 0xF	Complete Data Response message of a cache line in E state that is response to a core request. The DRS.DataC_E messages are only sent to Intel® QPI.
DRS.DataC_F_Cmp	0x1C40 && Match1 [19:16] 0x1	0x1FE0 && Mask1 [19:16] 0xF	Complete Data Response message of a cache line in F state that is response to a core request. The DRS.DataC_F messages are only sent to Intel® QPI.
DRS.DataC_E_FrcAc kCnflt	0x1C20 && Match1 [19:16] 0x4	0x1FE0 && Mask1 [19:16] 0xF	Force Acknowledge Data Response message of a cache line in E state that is response to a core request. The DRS.DataC_E messages are only sent to Intel® QPI.



Table 2-137. Message Events Derived from the Match/Mask filters

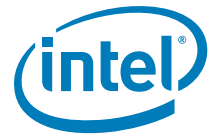
Field	Match [12:0]	Mask [12:0]	Description
DRS.DataC_F_FrcAckCnflt	0x1C20 && Match1 [19:16] 0x1	0x1FE0 && Mask1 [19:16] 0xF	Force Acknowledge Data Response message of a cache line in F state that is response to a core request. The DRS.DataC_F messages are only sent to Intel® QPI.
DRS.WbIData	0x1C80	0x1FE0	Data Response message for Write Back data where cacheline is set to the I state.
DRS.WbSData	0x1CA0	0x1FE0	Data Response message for Write Back data where cacheline is set to the S state.
DRS.WbEData	0x1CC0	0x1FE0	Data Response message for Write Back data where cacheline is set to the E state.
DRS.AnyResp	0x1C00	0x1E00	Any Data Response message. A DRS message can be either 9 flits for a full cache line or 11 flits for partial data.
DRS.AnyResp9flits	0x1C00	0x1F00	Any Data Response message that is 11 flits in length. An 11 flit DRS message contains partial data. Each 8 byte chunk contains an enable field that specifies if the data is valid.
DRS.AnyResp11flits	0x1D00	0x1F00	Any Non Data Response completion message. A NDR message is 1 on flit.
NCB.AnyResp	0x1800	0x1E00	Any Non-Coherent Bypass response message.
NCB.AnyMsg9flits	0x1800	0x1F00	Any Non-Coherent Bypass message that is 9 flits in length. A 9 flit NCB message contains a full 64 byte cache line.
NCB.AnyMsg11flits	0x1900	0x1F00	Any Non-Coherent Bypass message that is 11 flits in length. An 11 flit NCB message contains either partial data or an interrupt. For NCB 11 flit data messages, each 8 byte chunk contains an enable field that specifies if the data is valid.
NCB.AnyInt	0x1900	0x1F80	Any Non-Coherent Bypass interrupt message. NCB interrupt messages are 11 flits in length.

2.8.3.4 Intel® QPI Extra Registers - Companions to PMON HW

The uncore's Intel® QPI box includes an extra MSR that provides the current Intel® QPI transfer rate.

Table 2-138. QPI_RATE_STATUS Register - Field Definitions

Field	Bits	Attr	HW Reset Val	Description
rsv	31:5	RV	0	Reserved. SW must write to 0 else behavior is undefined.
slow_mode	4	RO-V	0	Slow Mode Reflects the current slow mode status being driven to the PLL. This will be set out of reset to bring Intel® QPI in slow mode. And is only expected to be set when QPI_rate is set to 6.4 GT/s
rsv	3	RV	0	Reserved. SW must write to 0 else behavior is undefined.



Field	Bits	Attr	HW Reset Val	Description
qpi_rate	2:0	RO-V	11b	QPI Rate This reflects the current QPI rate setting into the PLL 010 - 5.6 GT/s 011 - 6.4 GT/s 100 - 7.2 GT/s 101 - 8 GT/s 110 - 8.8 GT/s 111 - 9.6 GT/s other - Reserved

2.8.4 Intel® QPI LL Performance Monitoring Events

2.8.4.1 An Overview

The Intel® QPI Link Layer provides events to gather information on topics such as:

- Tracking incoming (ring bound)/outgoing (system bound) transactions,
- Various queue that track those transactions,
- The Link Layer's power consumption as expressed by the time spent in the Link power states L0p (half of lanes are disabled).
- A variety of static events such as Direct2Core statistics and when output credit is unavailable.
- Of particular interest, total link utilization may be calculated by capturing and subtracting transmitted/received idle flits from Intel® QPI clocks.

Many of these events can be further broken down by message class, including link utilization. In order to measure several of the available events in the Intel® QPI Link Layer, an extra bit (b16) must be set. These cases will be documented in the full Event List.

2.8.5 QPI LL Box Events Ordered By Code

The following table summarizes the directly measured QPI LL Box events.

Symbol Name	Event Code	Ctrs	Extra Select Bit	Max Inc/ Cyc	Description
TxL_FLITS_GO	0x00	0-3	0	2	Flits Transferred - Group 0
RxL_FLITS_GO	0x01	0-3	0	2	Flits Received - Group 0
TxL_INSERTS	0x04	0-3	0	1	Tx Flit Buffer Allocations
TxL_BYPASSED	0x05	0-3	0	1	Tx Flit Buffer Bypassed
TxL_CYCLES_NE	0x06	0-3	0	1	Tx Flit Buffer Cycles not Empty
TxL_OCCUPANCY	0x07	0-3	0	1	Tx Flit Buffer Occupancy
RxL_INSERTS	0x08	0-3	0	1	Rx Flit Buffer Allocations
RxL_BYPASSED	0x09	0-3	0	1	Rx Flit Buffer Bypassed
RxL_CYCLES_NE	0x0a	0-3	0	1	RxQ Cycles Not Empty
RxL_OCCUPANCY	0x0b	0-3	0	128	RxQ Occupancy - All Packets
TxLO_POWER_CYCLES	0x0c	0-3	0	1	Cycles in L0
TxLOP_POWER_CYCLES	0x0d	0-3	0	1	Cycles in L0p



Symbol Name	Event Code	Ctrs	Extra Select Bit	Max Inc/ Cyc	Description
RxL0_POWER_CYCLES	0x0f	0-3	0	1	Cycles in L0
RxL0P_POWER_CYCLES	0x10	0-3	0	1	Cycles in L0p
L1_POWER_CYCLES	0x12	0-3	0	1	Cycles in L1
DIRECT2CORE	0x13	0-3	0	1	Direct 2 Core Spawning
CLOCKTICKS	0x14	0-3	0	1	Number of qfclks
TxL_FLITS_G1	0x00	0-3	1	2	Flits Transferred - Group 1
TxL_FLITS_G2	0x01	0-3	1	2	Flits Transferred - Group 2
RxL_FLITS_G1	0x02	0-3	1	2	Flits Received - Group 1
RxL_FLITS_G2	0x03	0-3	1	2	Flits Received - Group 2
RxL_INSERTS_DRS	0x09	0-3	1	1	Rx Flit Buffer Allocations - DRS
RxL_INSERTS_NCB	0x0a	0-3	1	1	Rx Flit Buffer Allocations - NCB
RxL_INSERTS_NCS	0x0b	0-3	1	1	Rx Flit Buffer Allocations - NCS
RxL_INSERTS_HOM	0x0c	0-3	1	1	Rx Flit Buffer Allocations - HOM
RxL_INSERTS_SNP	0x0d	0-3	1	1	Rx Flit Buffer Allocations - SNP
RxL_INSERTS_NDR	0x0e	0-3	1	1	Rx Flit Buffer Allocations - NDR
RxL_OCCUPANCY_DRS	0x15	0-3	1	128	RxQ Occupancy - DRS
RxL_OCCUPANCY_NCB	0x16	0-3	1	128	RxQ Occupancy - NCB
RxL_OCCUPANCY_NCS	0x17	0-3	1	128	RxQ Occupancy - NCS
RxL_OCCUPANCY_HOM	0x18	0-3	1	128	RxQ Occupancy - HOM
RxL_OCCUPANCY_SNP	0x19	0-3	1	128	RxQ Occupancy - SNP
RxL_OCCUPANCY_NDR	0x1a	0-3	1	128	RxQ Occupancy - NDR
VNA_CREDIT_RETURN_OCCUPANCY	0x1b	0-3	1	128	VNA Credits Pending Return - Occupancy
VNA_CREDIT_RETURNS	0x1c	0-3	1	1	VNA Credits Returned
RxL_CREDITS_CONSUMED_VNA	0x1d	0-3	1	1	VNA Credit Consumed
RxL_CREDITS_CONSUMED_VN0	0x1e	0-3	1	2	VN0 Credit Consumed
TxR_BL_DRS_CREDIT_OCCUPANCY	0x1f	0-3	1	8	R3QPI Egress Credit Occupancy - BL DRS
TxR_BL_NCB_CREDIT_OCCUPANCY	0x20	0-3	1	2	R3QPI Egress Credit Occupancy - BL NCB
TxR_BL_NCS_CREDIT_OCCUPANCY	0x21	0-3	1	2	R3QPI Egress Credit Occupancy - BL NCS
TxR_AD_HOM_CREDIT_OCCUPANCY	0x22	0-3	1	28	R3QPI Egress Credit Occupancy - AD HOM
TxR_AD_SNP_CREDIT_OCCUPANCY	0x23	0-3	1	28	R3QPI Egress Credit Occupancy - AD SNP
TxR_AD_NDR_CREDIT_OCCUPANCY	0x24	0-3	1	8	R3QPI Egress Credit Occupancy - AD NDR
TxR_AK_NDR_CREDIT_OCCUPANCY	0x25	0-3	1	6	R3QPI Egress Credit Occupancy - AK NDR
TxR_AD_HOM_CREDIT_ACQUIRED	0x26	0-3	1	1	R3QPI Egress Credit Occupancy - HOM
TxR_AD_SNP_CREDIT_ACQUIRED	0x27	0-3	1	1	R3QPI Egress Credit Occupancy - SNP
TxR_AD_NDR_CREDIT_ACQUIRED	0x28	0-3	1	1	R3QPI Egress Credit Occupancy - AD NDR



Symbol Name	Event Code	Ctrs	Extra Select Bit	Max Inc/ Cyc	Description
TxR_AK_NDR_CREDIT_ACQUIRED	0x29	0-3	1	1	R3QPI Egress Credit Occupancy - AK NDR
TxR_BL_DRS_CREDIT_ACQUIRED	0x2a	0-3	1	1	R3QPI Egress Credit Occupancy - DRS
TxR_BL_NCB_CREDIT_ACQUIRED	0x2b	0-3	1	1	R3QPI Egress Credit Occupancy - NCB
TxR_BL_NCS_CREDIT_ACQUIRED	0x2c	0-3	1	1	R3QPI Egress Credit Occupancy - NCS
CTO_COUNT	0x38	0-3	1	2	Count of CTO Events
RxL_CREDITS_CONSUMED_VN1	0x39	0-3	1	2	VN1 Credit Consumed

2.8.6 QPI LL Box Common Metrics (Derived Events)

The following table summarizes metrics commonly calculated from QPI LL Box events.

Symbol Name: Definition	Equation
DATA_FROM_QPI: Data received from QPI in bytes (= DRS + NCB Data messages received from QPI)	DRS_DATA_MSGS_FROM_QPI + NCB_DATA_MSGS_FROM_QPI
DATA_FROM_QPI_TO_HA_OR_IIO: Data received from QPI forwarded to HA or IIO. Expressed in Bytes	DATA_FROM_QPI - DATA_FROM_QPI_TO_LLC
DATA_FROM_QPI_TO_LLC: Data received from QPI forwarded to LLC. Expressed in Bytes	DIRECT2CORE.SUCCESS * 64
DATA_FROM_QPI_TO_NODEx: Data packets received from QPI sent to Node ID 'x'. Expressed in bytes	DRS_DataC_FROM_QPI_TO_NODEx + DRS_WRITE_FROM_QPI_TO_NODEx + NCB_DATA_FROM_QPI_TO_NODEx
DRS_DATA_MSGS_FROM_QPI: DRS Data Messages From QPI in bytes	(RxL_FLITS_G1.DRS_DATA * 8)
DRS_DataC_FROM_QPI_TO_NODEx: DRS DataC packets received from QPI sent to Node ID 'x'. Expressed in bytes	(CTO_COUNT with: {Q_Py_PCI_PMON_PKT_z_MATCH0[12:0],dnid}={0x1C00,x}, Q_Py_PCI_PMON_PKT_z_MASK0[17:0]=0x3FF80) * 64
DRS_DataC_M_FROM_QPI: DRS DataC_F packets received from QPI. Expressed in bytes	(CTO_COUNT with: {Q_Py_PCI_PMON_PKT_z_MATCH0[12:0]=0x1C00, Q_Py_PCI_PMON_PKT_z_MASK0[12:0]=0x1FE0}, Q_Py_PCI_PMON_PKT_z_MATCH1[19:16]=0x1, Q_Py_PCI_PMON_PKT_z_MASK1[19:16]=0xF}) * 64
DRS_FULL_CACHELINE_MSGS_FROM_QPI: DRS Full Cacheline Data Messages From QPI in bytes	(CTO_COUNT with: {Q_Py_PCI_PMON_PKT_z_MATCH0[12:0]=0x1C00, Q_Py_PCI_PMON_PKT_z_MASK0[12:0]=0x1F00}) * 64



Symbol Name: Definition	Equation
<p>DRS_F_OR_E_FROM_QPI: DRS response in F or E states received from QPI in bytes. To calculate the total data response for each cache line state, it's necessary to add the contribution from three flavors {DataC, DataC_FrcAckCnflt, DataC_Cmp} of data response packets for each cache line state.</p>	$((\text{CTO_COUNT with: } \{Q_Py_PCI_PMON_PKT_z_MATCH0[12:0]=0x1C00, Q_Py_PCI_PMON_PKT_z_MASK0[12:0]=0x1FE0, Q_Py_PCI_PMON_PKT_z_MATCH1[19:16]=0x4, Q_Py_PCI_PMON_PKT_z_MASK1[19:16]=0xF\}) + (\text{CTO_COUNT with: } \{Q_Py_PCI_PMON_PKT_z_MATCH0[12:0]=0x1C00, Q_Py_PCI_PMON_PKT_z_MASK0[12:0]=0x1FE0, Q_Py_PCI_PMON_PKT_z_MATCH1[19:16]=0x1, Q_Py_PCI_PMON_PKT_z_MASK1[19:16]=0xF\}) + (\text{CTO_COUNT with: } \{Q_Py_PCI_PMON_PKT_z_MATCH0[12:0]=0x1C40, Q_Py_PCI_PMON_PKT_z_MASK0[12:0]=0x1FE0, Q_Py_PCI_PMON_PKT_z_MATCH1[19:16]=0x4, Q_Py_PCI_PMON_PKT_z_MASK1[19:16]=0xF\}) + (\text{CTO_COUNT with: } \{Q_Py_PCI_PMON_PKT_z_MATCH0[12:0]=0x1C40, Q_Py_PCI_PMON_PKT_z_MASK0[12:0]=0x1FE0, Q_Py_PCI_PMON_PKT_z_MATCH1[19:16]=0x1, Q_Py_PCI_PMON_PKT_z_MASK1[19:16]=0xF\}) + (\text{CTO_COUNT with: } \{Q_Py_PCI_PMON_PKT_z_MATCH0[12:0]=0x1C20, Q_Py_PCI_PMON_PKT_z_MASK0[12:0]=0x1FE0, Q_Py_PCI_PMON_PKT_z_MATCH1[19:16]=0x4, Q_Py_PCI_PMON_PKT_z_MASK1[19:16]=0xF\}) + (\text{CTO_COUNT with: } \{Q_Py_PCI_PMON_PKT_z_MATCH0[12:0]=0x1C20, Q_Py_PCI_PMON_PKT_z_MASK0[12:0]=0x1FE0, Q_Py_PCI_PMON_PKT_z_MATCH1[19:16]=0x1, Q_Py_PCI_PMON_PKT_z_MASK1[19:16]=0xF\})) * 64$
<p>DRS_M_FROM_QPI: DRS response in M state received from QPI in bytes</p>	$(\text{CTO_COUNT with: } \{Q_Py_PCI_PMON_PKT_z_MATCH0[12:0]=0x1C00, Q_Py_PCI_PMON_PKT_z_MASK0[12:0]=0x1FE0, Q_Py_PCI_PMON_PKT_z_MATCH1[19:16]=0x8, Q_Py_PCI_PMON_PKT_z_MASK1[19:16]=0xF\}) * 64$
<p>DRS_PTL_CACHELINE_MSGS_FROM_QPI: DRS Partial Cacheline Data Messages From QPI in bytes</p>	$(\text{CTO_COUNT with: } \{Q_Py_PCI_PMON_PKT_z_MATCH0[12:0]=0x1D00, Q_Py_PCI_PMON_PKT_z_MASK0[12:0]=0x1F00\}) * 64$
<p>DRS_WB_FROM_QPI: DRS writeback packets received from QPI in bytes. This is the sum of Wb{I,S,E} DRS packets</p>	$\text{DRS_WbI_FROM_QPI} + \text{DRS_WbS_FROM_QPI} + \text{DRS_WbE_FROM_QPI}$
<p>DRS_WRITE_FROM_QPI_TO_NODEX: DRS Data packets (Any - DataC) received from QPI sent to Node ID 'x'. Expressed in bytes</p>	$((\text{CTO_COUNT with: } \{Q_Py_PCI_PMON_PKT_z_MATCH0\{[12:0],\text{dnid}\}=\{0x1C00,x\}, Q_Py_PCI_PMON_PKT_z_MASK0[17:0]=0x3FE0\}) - (\text{CTO_COUNT with: } \{Q_Py_PCI_PMON_PKT_z_MATCH0\{[12:0],\text{dnid}\}=\{0x1C00,x\}, Q_Py_PCI_PMON_PKT_z_MASK0[17:0]=0x3FF80\})) * 64$
<p>DRS_WbE_FROM_QPI: DRS writeback 'change to E state' packets received from QPI in bytes</p>	$(\text{CTO_COUNT with: } \{Q_Py_PCI_PMON_PKT_z_MATCH0[12:0]=0x1CC0, Q_Py_PCI_PMON_PKT_z_MASK0[12:0]=0x1FE0\}) * 64$
<p>DRS_WbI_FROM_QPI: DRS writeback 'change to I state' packets received from QPI in bytes</p>	$(\text{CTO_COUNT with: } \{Q_Py_PCI_PMON_PKT_z_MATCH0[12:0]=0x1C80, Q_Py_PCI_PMON_PKT_z_MASK0[12:0]=0x1FE0\}) * 64$
<p>DRS_WbS_FROM_QPI: DRS writeback 'change to S state' packets received from QPI in bytes</p>	$(\text{CTO_COUNT with: } \{Q_Py_PCI_PMON_PKT_z_MATCH0[12:0]=0x1CA0, Q_Py_PCI_PMON_PKT_z_MASK0[12:0]=0x1FE0\}) * 64$
<p>NCB_DATA_FROM_QPI_TO_NODEX: NCB Data packets (Any - Interrupts) received from QPI sent to Node ID 'x'. Expressed in bytes</p>	$((\text{CTO_COUNT with: } \{Q_Py_PCI_PMON_PKT_z_MATCH0\{[12:0],\text{dnid}\}=\{0x1800,x\}, Q_Py_PCI_PMON_PKT_z_MASK0[17:0]=0x3FE0\}) - (\text{CTO_COUNT with: } \{Q_Py_PCI_PMON_PKT_z_MATCH0\{[12:0],\text{dnid}\}=\{0x1900,x\}, Q_Py_PCI_PMON_PKT_z_MASK0[17:0]=0x3FF80\})) * 64$



Symbol Name: Definition	Equation
NCB_DATA_MSGS_FROM_QPI: NCB Data Messages From QPI in bytes	$(\text{RxL_FLITS_G2.NCB_DATA} * 8)$
PCT_LINK_CRC_RETRY_CYCLES: Percent of Cycles the QPI link layer is in retry mode due to CRC errors	$\text{RxL_CRC_CYCLES_IN_LLR} / \text{CLOCKTICKS}$
PCT_LINK_FULL_POWER_CYCLES: Percent of Cycles the QPI link is at Full Power	$\text{RxL0_POWER_CYCLES} / \text{CLOCKTICKS}$
PCT_LINK_HALF_DISABLED_CYCLES: Percent of Cycles the QPI link in power mode where half of the lanes are disabled.	$\text{RxL0P_POWER_CYCLES} / \text{CLOCKTICKS}$
PCT_LINK_SHUTDOWN_CYCLES: Percent of Cycles the QPI link is Shutdown	$\text{L1_POWER_CYCLES} / \text{CLOCKTICKS}$
QPI_DATA_BW: QPI data transmit bandwidth in Bytes	$\text{TxL_FLITS_G0.DATA} * 8$
QPI_LINK_BW: QPI total transmit bandwidth in Bytes (includes control)	$(\text{TxL_FLITS_G0.DATA} + \text{TxL_FLITS_G0.NON_DATA}) * 8$
QPI_LINK_UTIL: Percentage of cycles that QPI Link was utilized. Calculated from 1 - Number of idle flits - time the link was 'off'	$(\text{RxL_FLITS_G0.DATA} + \text{RxL_FLITS_G0.NON_DATA}) / (2 * \text{CLOCKTICKS})$
QPI_SPEED: QPI Speed - In GT/s (GigaTransfers / Second) - Max QPI Bandwidth is $2 * \text{ROUND}(\text{QPI Speed}, 0)$	$\text{ROUND}((\text{CLOCKTICKS} / \text{TSC}) * \text{TSC_SPEED}, 0) * (8 / 1000)$

2.8.7 QPI LL Box Performance Monitor Event List

The section enumerates performance monitoring events for the QPI LL Box.

CLOCKTICKS

- **Title:** Number of qfclks
- **Category:** CFCLK Events
- **Event Code:** 0x14
- Max. Inc/Cyc: 1, **Register Restrictions:** 0-3
- **Definition:** Counts the number of clocks in the QPI LL. This clock runs at 1/8th the "GT/s" speed of the QPI link. For example, a 8GT/s link will have qfclk or 1GHz. The prior generation uncore in Intel Xeon processor E5-2600 Product Family does not support dynamic link speeds, so this frequency is fixed.

CTO_COUNT

- **Title:** Count of CTO Events
- **Category:** CTO Events
- **Event Code:** 0x38
- **Extra Select Bit:** Y
- Max. Inc/Cyc: 2, **Register Restrictions:** 0-3
- **Filter Dependency:** QPIMask0[17:0], QPIMatch0[17:0], QPIMask1[19:16], QPIMatch1[19:16]
- **Definition:** Counts the number of CTO (cluster trigger outs) events that were asserted across the two slots. If both slots trigger in a given cycle, the event will increment by 2. You can use edge detect to count the number of cases when both events triggered.



DIRECT2CORE

- **Title:** Direct 2 Core Spawning
- **Category:** DIRECT2CORE Events
- **Event Code:** 0x13
- Max. Inc/Cyc: . 1, **Register Restrictions:** 0-3
- **Definition:** Counts the number of DRS packets that we attempted to do direct2core on. There are 4 mutually exclusive filters. Filter [0] can be used to get successful spawns, while [1: 3] provide the different failure cases. Note that this does not count packets that are not candidates for Direct2Core. The only candidates for Direct2Core are DRS packets destined for Cbos.

Table 2-139. Unit Masks for DIRECT2CORE

Extension	umask [15:8]	Description
SUCCESS_RBT_HIT	bxxxxxx1	Spawn Success The spawn was successful. There were sufficient credits, the RBT valid bit was set and there was an RBT tag match. The message was marked to spawn direct2core.
FAILURE_CREDITS	bxxxxx1x	Spawn Failure - Egress Credits The spawn failed because there were not enough Egress credits. Had there been enough credits, the spawn would have worked as the RBT bit was set and the RBT tag matched.
FAILURE_RBT_HIT	bxxxxx1xx	Spawn Failure - RBT Invalid The spawn failed because the route-back table (RBT) specified that the transaction should not trigger a direct2core transaction. This is common for IO transactions. There were enough Egress credits and the RBT tag matched but the valid bit was not set.
FAILURE_CREDITS_RBT	bxxxx1xxx	Spawn Failure - Egress and RBT Invalid The spawn failed because there were not enough Egress credits AND the RBT bit was not set, but the RBT tag matched.
FAILURE_MISS	bxxx1xxxx	Spawn Failure - RBT Miss The spawn failed because the RBT tag did not match although the valid bit was set and there were enough Egress credits.
FAILURE_CREDITS_MISS	bxx1xxxxx	Spawn Failure - Egress and RBT Miss The spawn failed because the RBT tag did not match and there weren't enough Egress credits. The valid bit was set.
FAILURE_RBT_MISS	bx1xxxxxx	Spawn Failure - RBT Miss and Invalid The spawn failed because the RBT tag did not match and the valid bit was not set although there were enough Egress credits.
FAILURE_CREDITS_RBT_MISS	b1xxxxxxx	Spawn Failure - Egress and RBT Miss, Invalid The spawn failed because the RBT tag did not match, the valid bit was not set and there weren't enough Egress credits.

L1_POWER_CYCLES

- **Title:** Cycles in L1
- **Category:** POWER Events
- **Event Code:** 0x12
- Max. Inc/Cyc: . 1, **Register Restrictions:** 0-3
- **Definition:** Number of QPI qfclk cycles spent in L1 power mode. L1 is a mode that totally shuts down a QPI link. Use edge detect to count the number of instances when the QPI link entered L1. Link power states are per link and per direction, so for example the Tx direction could be in one state while Rx was in another. Because L1 totally shuts down the link, it takes a good amount of time to exit this mode.



RxLOP_POWER_CYCLES

- **Title:** Cycles in L0p
- **Category:** POWER_RX Events
- **Event Code:** 0x10
- Max. Inc/Cyc.: 1, **Register Restrictions:** 0-3
- **Definition:** Number of QPI qfclk cycles spent in L0p power mode. L0p is a mode where we disable 1/2 of the QPI lanes, decreasing our bandwidth in order to save power. It increases snoop and data transfer latencies and decreases overall bandwidth. This mode can be very useful in NUMA optimized workloads that largely only utilize QPI for snoops and their responses. Use edge detect to count the number of instances when the QPI link entered L0p. Link power states are per link and per direction, so for example the Tx direction could be in one state while Rx was in another.
- **NOTE:** Using .edge_det to count transitions does not function if L1_POWER_CYCLES > 0.

RxLO_POWER_CYCLES

- **Title:** Cycles in L0
- **Category:** POWER_RX Events
- **Event Code:** 0x0f
- Max. Inc/Cyc.: 1, **Register Restrictions:** 0-3
- **Definition:** Number of QPI qfclk cycles spent in L0 power mode in the Link Layer. L0 is the default mode which provides the highest performance with the most power. Use edge detect to count the number of instances that the link entered L0. Link power states are per link and per direction, so for example the Tx direction could be in one state while Rx was in another. The phy layer sometimes leaves L0 for training, which will not be captured by this event.
- **NOTE:** Includes L0p cycles. To get just L0, subtract RxLOP_POWER_CYCLES.

RxL_BYPASSED

- **Title:** Rx Flit Buffer Bypassed
- **Category:** RXQ Events
- **Event Code:** 0x09
- Max. Inc/Cyc.: 1, **Register Restrictions:** 0-3
- **Definition:** Counts the number of times that an incoming flit was able to bypass the flit buffer and pass directly across the BGF and into the Egress. This is a latency optimization, and should generally be the common case. If this value is less than the number of flits transferred, it implies that there was queueing getting onto the ring, and thus the transactions saw higher latency.

RxL_CREDITS_CONSUMED_VNO

- **Title:** VNO Credit Consumed
- **Category:** RX_CREDITS_CONSUMED Events
- **Event Code:** 0x1e
- **Extra Select Bit:** Y
- Max. Inc/Cyc.: 2, **Register Restrictions:** 0-3
- **Definition:** Counts the number of times that an RxQ VNO credit was consumed (i.e. message uses a VNO credit for the Rx Buffer). This includes packets that went through the RxQ and those that were bypassed.

Table 2-140. Unit Masks for RxL_CREDITS_CONSUMED_VNO

Extension	umask [15:8]	Description
DRS	bxxxxxx1	DRS VNO credit for the DRS message class.
NCB	bxxxxxx1x	NCB VNO credit for the NCB message class.



Table 2-140. Unit Masks for RxL_CREDITS_CONSUMED_VNO

Extension	umask [15:8]	Description
NCS	bxxxxx1xx	NCS VNO credit for the NCS message class.
HOM	bxxxx1xxx	HOM VNO credit for the HOM message class.
SNP	bxxx1xxxx	SNP VNO credit for the SNP message class.
NDR	bxx1xxxxx	NDR VNO credit for the NDR message class.

RxL_CREDITS_CONSUMED_VN1

- **Title:** VN1 Credit Consumed
- **Category:** RX_CREDITS_CONSUMED Events
- **Event Code:** 0x39
- **Extra Select Bit:** Y
- Max. Inc/Cyc: . 2, **Register Restrictions:** 0-3
- **Definition:** Counts the number of times that an RxQ VN1 credit was consumed (i.e. message uses a VN1 credit for the Rx Buffer). This includes packets that went through the RxQ and those that were bypassed.

Table 2-141. Unit Masks for RxL_CREDITS_CONSUMED_VN1

Extension	umask [15:8]	Description
DRS	bxxxxxxx1	DRS VN1 credit for the DRS message class.
NCB	bxxxxxx1x	NCB VN1 credit for the NCB message class.
NCS	bxxxxx1xx	NCS VN1 credit for the NCS message class.
HOM	bxxxx1xxx	HOM VN1 credit for the HOM message class.
SNP	bxxx1xxxx	SNP VN1 credit for the SNP message class.
NDR	bxx1xxxxx	NDR VN1 credit for the NDR message class.

RxL_CREDITS_CONSUMED_VNA

- **Title:** VNA Credit Consumed
- **Category:** RX_CREDITS_CONSUMED Events
- **Event Code:** 0x1d
- **Extra Select Bit:** Y
- Max. Inc/Cyc: . 1, **Register Restrictions:** 0-3
- **Definition:** Counts the number of times that an RxQ VNA credit was consumed (i.e. message uses a VNA credit for the Rx Buffer). This includes packets that went through the RxQ and those that were bypassed.



RxL_CYCLES_NE

- **Title:** RxQ Cycles Not Empty
- **Category:** RXQ Events
- **Event Code:** 0x0a
- Max. Inc/Cyc.: 1, **Register Restrictions:** 0-3
- **Definition:** Counts the number of cycles that the QPI RxQ was not empty. Generally, when data is transmitted across QPI, it will bypass the RxQ and pass directly to the ring interface. If things back up getting transmitted onto the ring, however, it may need to allocate into this buffer, thus increasing the latency. This event can be used in conjunction with the Flit Buffer Occupancy Accumulator event to calculate the average occupancy.

RxL_FLITS_GO

- **Title:** Flits Received - Group 0
- **Category:** FLITS_RX Events
- **Event Code:** 0x01
- Max. Inc/Cyc.: 2, **Register Restrictions:** 0-3
- **Definition:** Counts the number of flits received from the QPI Link. It includes filters for Idle, protocol, and Data Flits. Each "flit" is made up of 80 bits of information (in addition to some ECC data). In full-width (L0) mode, flits are made up of four "fits", each of which contains 20 bits of data (along with some additional ECC data). In half-width (LOp) mode, the fits are only 10 bits, and therefore it takes twice as many fits to transmit a flit. When one talks about QPI "speed" (for example, 8.0 GT/s), the "transfers" here refer to "fits". Therefore, in L0, the system will transfer 1 "flit" at the rate of 1/4th the QPI speed. One can calculate the bandwidth of the link by taking: flits*80b/time. Note that this is not the same as "data" bandwidth. For example, when we are transferring a 64B cacheline across QPI, we will break it into 9 flits -- 1 with header information and 8 with 64 bits of actual "data" and an additional 16 bits of other information. To calculate "data" bandwidth, one should therefore do: data flits * 8B / time (for L0) or 4B instead of 8B for LOp.

Table 2-142. Unit Masks for RxL_FLITS_GO

Extension	umask [15:8]	Description
IDLE	b00000001	Idle and Null Flits Number of flits received over QPI that do not hold protocol payload. When QPI is not in a power saving state, it continuously transmits flits across the link. When there are no protocol flits to send, it will send IDLE and NULL flits across. These flits sometimes do carry a payload, such as credit returns, but are general not considered part of the QPI bandwidth.
DATA	b00000010	Data Tx Flits Number of data flits received over QPI. Each flit contains 64b of data. This includes both DRS and NCB data flits (coherent and non-coherent). This can be used to calculate the data bandwidth of the QPI link. One can get a good picture of the QPI-link characteristics by evaluating the protocol flits, data flits, and idle/null flits. This does not include the header flits that go in data packets.
NON_DATA	b00000100	Non-Data protocol Tx Flits Number of non-NULL non-data flits received across QPI. This basically tracks the protocol overhead on the QPI link. One can get a good picture of the QPI-link characteristics by evaluating the protocol flits, data flits, and idle/null flits. This includes the header flits for data packets.

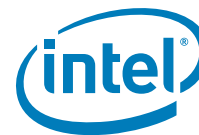


RxL_FLITS_G1

- **Title:** Flits Received - Group 1
- **Category:** FLITS_RX Events
- **Event Code:** 0x02
- **Extra Select Bit:** Y
- Max. Inc/Cyc: . 2, **Register Restrictions:** 0-3
- **Definition:** Counts the number of flits received from the QPI Link. This is one of three “groups” that allow us to track flits. It includes filters for SNP, HOM, and DRS message classes. Each “flit” is made up of 80 bits of information (in addition to some ECC data). In full-width (L0) mode, flits are made up of four “fits”, each of which contains 20 bits of data (along with some additional ECC data). In half-width (L0p) mode, the fits are only 10 bits, and therefore it takes twice as many fits to transmit a flit. When one talks about QPI “speed” (for example, 8.0 GT/s), the “transfers” here refer to “fits”. Therefore, in L0, the system will transfer 1 “flit” at the rate of 1/4th the QPI speed. One can calculate the bandwidth of the link by taking: flits*80b/time. Note that this is not the same as “data” bandwidth. For example, when we are transferring a 64B cacheline across QPI, we will break it into 9 flits -- 1 with header information and 8 with 64 bits of actual “data” and an additional 16 bits of other information. To calculate “data” bandwidth, one should therefore do: data flits * 8B / time.

Table 2-143. Unit Masks for RxL_FLITS_G1

Extension	umask [15:8]	Description
SNP	b00000001	SNP Flits Counts the number of snoop request flits received over QPI. These requests are contained in the snoop channel. This does not include snoop responses, which are received on the home channel.
HOM_REQ	b00000010	HOM Request Flits Counts the number of data request received over QPI on the home channel. This basically counts the number of remote memory requests received over QPI. In conjunction with the local read count in the Home Agent, one can calculate the number of LLC Misses.
HOM_NONREQ	b00000100	HOM Non-Request Flits Counts the number of non-request flits received over QPI on the home channel. These are most commonly snoop responses, and this event can be used as a proxy for that.
HOM	b00000110	HOM Flits Counts the number of flits received over QPI on the home channel.
DRS_DATA	b00001000	DRS Data Flits Counts the total number of data flits received over QPI on the DRS (Data Response) channel. DRS flits are used to transmit data with coherency. This does not count data flits received over the NCB channel which transmits non-coherent data. This includes only the data flits (not the header).
DRS_NONDATA	b00010000	DRS Header Flits Counts the total number of protocol flits received over QPI on the DRS (Data Response) channel. DRS flits are used to transmit data with coherency. This does not count data flits received over the NCB channel which transmits non-coherent data. This includes only the header flits (not the data). This includes extended headers.
DRS	b00011000	DRS Flits (both Header and Data) Counts the total number of flits received over QPI on the DRS (Data Response) channel. DRS flits are used to transmit data with coherency. This does not count data flits received over the NCB channel which transmits non-coherent data.



RxL_FLITS_G2

- **Title:** Flits Received - Group 2
- **Category:** FLITS_RX Events
- **Event Code:** 0x03
- **Extra Select Bit:** Y
- Max. Inc/Cyc: . 2, **Register Restrictions:** 0-3
- **Definition:** Counts the number of flits received from the QPI Link. This is one of three “groups” that allow us to track flits. It includes filters for NDR, NCB, and NCS message classes. Each “flit” is made up of 80 bits of information (in addition to some ECC data). In full-width (LO) mode, flits are made up of four “fits”, each of which contains 20 bits of data (along with some additional ECC data). In half-width (LOp) mode, the fits are only 10 bits, and therefore it takes twice as many fits to transmit a flit. When one talks about QPI “speed” (for example, 8.0 GT/s), the “transfers” here refer to “fits”. Therefore, in LO, the system will transfer 1 “flit” at the rate of 1/4th the QPI speed. One can calculate the bandwidth of the link by taking: flits*80b/time. Note that this is not the same as “data” bandwidth. For example, when we are transferring a 64B cacheline across QPI, we will break it into 9 flits -- 1 with header information and 8 with 64 bits of actual “data” and an additional 16 bits of other information. To calculate “data” bandwidth, one should therefore do: data flits * 8B / time.

Table 2-144. Unit Masks for RxL_FLITS_G2

Extension	umask [15:8]	Description
NDR_AD	b00000001	Non-Data Response Rx Flits - AD Counts the total number of flits received over the NDR (Non-Data Response) channel. This channel is used to send a variety of protocol flits including grants and completions. This is only for NDR packets to the local socket which use the AK ring.
NDR_AK	b00000010	Non-Data Response Rx Flits - AK Counts the total number of flits received over the NDR (Non-Data Response) channel. This channel is used to send a variety of protocol flits including grants and completions. This is only for NDR packets destined for Route-thru to a remote socket.
NCB_DATA	b00000100	Non-Coherent data Rx Flits Number of Non-Coherent Bypass data flits. These flits are generally used to transmit non-coherent data across QPI. This does not include a count of the DRS (coherent) data flits. This only counts the data flits, not the NCB headers.
NCB_NONDATA	b00001000	Non-Coherent non-data Rx Flits Number of Non-Coherent Bypass non-data flits. These packets are generally used to transmit non-coherent data across QPI, and the flits counted here are for headers and other non-data flits. This includes extended headers.
NCB	b00001100	Non-Coherent Rx Flits Number of Non-Coherent Bypass flits. These packets are generally used to transmit non-coherent data across QPI.
NCS	b00010000	Non-Coherent standard Rx Flits Number of NCS (non-coherent standard) flits received over QPI. This includes extended headers.

RxL_INSERTS

- **Title:** Rx Flit Buffer Allocations
- **Category:** RXQ Events
- **Event Code:** 0x08
- Max. Inc/Cyc: . 1, **Register Restrictions:** 0-3
- **Definition:** Number of allocations into the QPI Rx Flit Buffer. Generally, when data is transmitted across QPI, it will bypass the RxQ and pass directly to the ring interface. If things back up getting transmitted onto the ring, however, it may need to allocate into this buffer, thus increasing the latency. This event can be used in conjunction with the Flit Buffer Occupancy event in order to calculate the average flit buffer lifetime.



RxL_INSERTS_DRS

- **Title:** Rx Flit Buffer Allocations - DRS
- **Category:** RXQ Events
- **Event Code:** 0x09
- **Extra Select Bit:** Y
- Max. Inc/Cyc: . 1, **Register Restrictions:** 0-3
- **Definition:** Number of allocations into the QPI Rx Flit Buffer. Generally, when data is transmitted across QPI, it will bypass the RxQ and pass directly to the ring interface. If things back up getting transmitted onto the ring, however, it may need to allocate into this buffer, thus increasing the latency. This event can be used in conjunction with the Flit Buffer Occupancy event in order to calculate the average flit buffer lifetime. This monitors only DRS flits.

Table 2-145. Unit Masks for RxL_INSERTS_DRS

Extension	umask [15:8]	Description
VN0	bxxxxxx1	for VN0
VN1	bxxxxxx1x	for VN1

RxL_INSERTS_HOM

- **Title:** Rx Flit Buffer Allocations - HOM
- **Category:** RXQ Events
- **Event Code:** 0x0c
- **Extra Select Bit:** Y
- Max. Inc/Cyc: . 1, **Register Restrictions:** 0-3
- **Definition:** Number of allocations into the QPI Rx Flit Buffer. Generally, when data is transmitted across QPI, it will bypass the RxQ and pass directly to the ring interface. If things back up getting transmitted onto the ring, however, it may need to allocate into this buffer, thus increasing the latency. This event can be used in conjunction with the Flit Buffer Occupancy event in order to calculate the average flit buffer lifetime. This monitors only HOM flits.

Table 2-146. Unit Masks for RxL_INSERTS_HOM

Extension	umask [15:8]	Description
VN0	bxxxxxx1	for VN0
VN1	bxxxxxx1x	for VN1

RxL_INSERTS_NCB

- **Title:** Rx Flit Buffer Allocations - NCB
- **Category:** RXQ Events
- **Event Code:** 0x0a
- **Extra Select Bit:** Y
- Max. Inc/Cyc: . 1, **Register Restrictions:** 0-3
- **Definition:** Number of allocations into the QPI Rx Flit Buffer. Generally, when data is transmitted across QPI, it will bypass the RxQ and pass directly to the ring interface. If things back up getting transmitted onto the ring, however, it may need to allocate into this buffer, thus increasing the latency. This event can be used in conjunction with the Flit Buffer Occupancy event in order to calculate the average flit buffer lifetime. This monitors only NCB flits.



Table 2-147. Unit Masks for RxL_INSERTS_NCB

Extension	umask [15:8]	Description
VN0	bxxxxxxx1	for VN0
VN1	bxxxxxx1x	for VN1

RxL_INSERTS_NCS

- **Title:** Rx Flit Buffer Allocations - NCS
- **Category:** RXQ Events
- **Event Code:** 0x0b
- **Extra Select Bit:** Y
- Max. Inc/Cyc.: 1, **Register Restrictions:** 0-3
- **Definition:** Number of allocations into the QPI Rx Flit Buffer. Generally, when data is transmitted across QPI, it will bypass the RxQ and pass directly to the ring interface. If things back up getting transmitted onto the ring, however, it may need to allocate into this buffer, thus increasing the latency. This event can be used in conjunction with the Flit Buffer Occupancy event in order to calculate the average flit buffer lifetime. This monitors only NCS flits.

Table 2-148. Unit Masks for RxL_INSERTS_NCS

Extension	umask [15:8]	Description
VN0	bxxxxxxx1	for VN0
VN1	bxxxxxx1x	for VN1

RxL_INSERTS_NDR

- **Title:** Rx Flit Buffer Allocations - NDR
- **Category:** RXQ Events
- **Event Code:** 0x0e
- **Extra Select Bit:** Y
- Max. Inc/Cyc.: 1, **Register Restrictions:** 0-3
- **Definition:** Number of allocations into the QPI Rx Flit Buffer. Generally, when data is transmitted across QPI, it will bypass the RxQ and pass directly to the ring interface. If things back up getting transmitted onto the ring, however, it may need to allocate into this buffer, thus increasing the latency. This event can be used in conjunction with the Flit Buffer Occupancy event in order to calculate the average flit buffer lifetime. This monitors only NDR flits.

Table 2-149. Unit Masks for RxL_INSERTS_NDR

Extension	umask [15:8]	Description
VN0	bxxxxxxx1	for VN0
VN1	bxxxxxx1x	for VN1

RxL_INSERTS_SNP

- **Title:** Rx Flit Buffer Allocations - SNP
- **Category:** RXQ Events
- **Event Code:** 0x0d
- **Extra Select Bit:** Y
- Max. Inc/Cyc.: 1, **Register Restrictions:** 0-3



- **Definition:** Number of allocations into the QPI Rx Flit Buffer. Generally, when data is transmitted across QPI, it will bypass the RxQ and pass directly to the ring interface. If things back up getting transmitted onto the ring, however, it may need to allocate into this buffer, thus increasing the latency. This event can be used in conjunction with the Flit Buffer Occupancy event in order to calculate the average flit buffer lifetime. This monitors only SNP flits.

Table 2-150. Unit Masks for RxL_INSERTS_SNP

Extension	umask [15:8]	Description
VN0	bxxxxxxx1	for VN0
VN1	bxxxxxxx1x	for VN1

RxL_OCCUPANCY

- **Title:** RxQ Occupancy - All Packets
- **Category:** RXQ Events
- **Event Code:** 0x0b
- Max. Inc/Cyc: . 128, **Register Restrictions:** 0-3
- **Definition:** Accumulates the number of elements in the QPI RxQ in each cycle. Generally, when data is transmitted across QPI, it will bypass the RxQ and pass directly to the ring interface. If things back up getting transmitted onto the ring, however, it may need to allocate into this buffer, thus increasing the latency. This event can be used in conjunction with the Flit Buffer Not Empty event to calculate average occupancy, or with the Flit Buffer Allocations event to track average lifetime.

RxL_OCCUPANCY_DRS

- **Title:** RxQ Occupancy - DRS
- **Category:** RXQ Events
- **Event Code:** 0x15
- **Extra Select Bit:** Y
- Max. Inc/Cyc: . 128, **Register Restrictions:** 0-3
- **Definition:** Accumulates the number of elements in the QPI RxQ in each cycle. Generally, when data is transmitted across QPI, it will bypass the RxQ and pass directly to the ring interface. If things back up getting transmitted onto the ring, however, it may need to allocate into this buffer, thus increasing the latency. This event can be used in conjunction with the Flit Buffer Not Empty event to calculate average occupancy, or with the Flit Buffer Allocations event to track average lifetime. This monitors DRS flits only.

Table 2-151. Unit Masks for RxL_OCCUPANCY_DRS

Extension	umask [15:8]	Description
VN0	bxxxxxxx1	for VN0
VN1	bxxxxxxx1x	for VN1

RxL_OCCUPANCY_HOM

- **Title:** RxQ Occupancy - HOM
- **Category:** RXQ Events
- **Event Code:** 0x18
- **Extra Select Bit:** Y
- Max. Inc/Cyc: . 128, **Register Restrictions:** 0-3
- **Definition:** Accumulates the number of elements in the QPI RxQ in each cycle. Generally, when data is transmitted across QPI, it will bypass the RxQ and pass directly to the ring interface. If things back up getting transmitted onto the ring, however, it may need to allocate into this buffer, thus increasing the latency. This event can be used in conjunction with the Flit Buffer Not Empty



event to calculate average occupancy, or with the Flit Buffer Allocations event to track average lifetime. This monitors HOM flits only.

Table 2-152. Unit Masks for RxL_OCCUPANCY_HOM

Extension	umask [15:8]	Description
VNO	bxxxxxxx1	for VNO
VN1	bxxxxxxx1x	for VN1

RxL_OCCUPANCY_NCB

- **Title:** RxQ Occupancy - NCB
- **Category:** RXQ Events
- **Event Code:** 0x16
- **Extra Select Bit:** Y
- Max. Inc/Cyc: . 128, **Register Restrictions:** 0-3
- **Definition:** Accumulates the number of elements in the QPI RxQ in each cycle. Generally, when data is transmitted across QPI, it will bypass the RxQ and pass directly to the ring interface. If things back up getting transmitted onto the ring, however, it may need to allocate into this buffer, thus increasing the latency. This event can be used in conjunction with the Flit Buffer Not Empty event to calculate average occupancy, or with the Flit Buffer Allocations event to track average lifetime. This monitors NCB flits only.

Table 2-153. Unit Masks for RxL_OCCUPANCY_NCB

Extension	umask [15:8]	Description
VNO	bxxxxxxx1	for VNO
VN1	bxxxxxxx1x	for VN1

RxL_OCCUPANCY_NCS

- **Title:** RxQ Occupancy - NCS
- **Category:** RXQ Events
- **Event Code:** 0x17
- **Extra Select Bit:** Y
- Max. Inc/Cyc: . 128, **Register Restrictions:** 0-3
- **Definition:** Accumulates the number of elements in the QPI RxQ in each cycle. Generally, when data is transmitted across QPI, it will bypass the RxQ and pass directly to the ring interface. If things back up getting transmitted onto the ring, however, it may need to allocate into this buffer, thus increasing the latency. This event can be used in conjunction with the Flit Buffer Not Empty event to calculate average occupancy, or with the Flit Buffer Allocations event to track average lifetime. This monitors NCS flits only.

Table 2-154. Unit Masks for RxL_OCCUPANCY_NCS

Extension	umask [15:8]	Description
VNO	bxxxxxxx1	for VNO
VN1	bxxxxxxx1x	for VN1



RxL_OCCUPANCY_NDR

- **Title:** RxQ Occupancy - NDR
- **Category:** RXQ Events
- **Event Code:** 0x1a
- **Extra Select Bit:** Y
- Max. Inc/Cyc: . 128, **Register Restrictions:** 0-3
- **Definition:** Accumulates the number of elements in the QPI RxQ in each cycle. Generally, when data is transmitted across QPI, it will bypass the RxQ and pass directly to the ring interface. If things back up getting transmitted onto the ring, however, it may need to allocate into this buffer, thus increasing the latency. This event can be used in conjunction with the Flit Buffer Not Empty event to calculate average occupancy, or with the Flit Buffer Allocations event to track average life-time. This monitors NDR flits only.

Table 2-155. Unit Masks for RxL_OCCUPANCY_NDR

Extension	umask [15:8]	Description
VN0	bxxxxxxx1	for VN0
VN1	bxxxxxxx1x	for VN1

RxL_OCCUPANCY_SNP

- **Title:** RxQ Occupancy - SNP
- **Category:** RXQ Events
- **Event Code:** 0x19
- **Extra Select Bit:** Y
- Max. Inc/Cyc: . 128, **Register Restrictions:** 0-3
- **Definition:** Accumulates the number of elements in the QPI RxQ in each cycle. Generally, when data is transmitted across QPI, it will bypass the RxQ and pass directly to the ring interface. If things back up getting transmitted onto the ring, however, it may need to allocate into this buffer, thus increasing the latency. This event can be used in conjunction with the Flit Buffer Not Empty event to calculate average occupancy, or with the Flit Buffer Allocations event to track average life-time. This monitors SNP flits only.

Table 2-156. Unit Masks for RxL_OCCUPANCY_SNP

Extension	umask [15:8]	Description
VN0	bxxxxxxx1	for VN0
VN1	bxxxxxxx1x	for VN1

TxLOP_POWER_CYCLES

- **Title:** Cycles in L0p
- **Category:** POWER_TX Events
- **Event Code:** 0x0d
- Max. Inc/Cyc: . 1, **Register Restrictions:** 0-3
- **Definition:** Number of QPI qfclk cycles spent in L0p power mode. L0p is a mode where we disable 1/2 of the QPI lanes, decreasing our bandwidth in order to save power. It increases snoop and data transfer latencies and decreases overall bandwidth. This mode can be very useful in NUMA optimized workloads that largely only utilize QPI for snoops and their responses. Use edge detect to count the number of instances when the QPI link entered L0p. Link power states are per link and per direction, so for example the Tx direction could be in one state while Rx was in another.
- **NOTE:** Using .edge_det to count transitions does not function if L1_POWER_CYCLES > 0.



TxLO_POWER_CYCLES

- **Title:** Cycles in L0
- **Category:** POWER_TX Events
- **Event Code:** 0x0c
- Max. Inc/Cyc.: 1, **Register Restrictions:** 0-3
- **Definition:** Number of QPI qfclk cycles spent in L0 power mode in the Link Layer. L0 is the default mode which provides the highest performance with the most power. Use edge detect to count the number of instances that the link entered L0. Link power states are per link and per direction, so for example the Tx direction could be in one state while Rx was in another. The phy layer sometimes leaves L0 for training, which will not be captured by this event.
- **NOTE:** Includes L0p cycles. To get just L0, subtract TxLOP_POWER_CYCLES.

TxL_BYPASSED

- **Title:** Tx Flit Buffer Bypassed
- **Category:** TXQ Events
- **Event Code:** 0x05
- Max. Inc/Cyc.: 1, **Register Restrictions:** 0-3
- **Definition:** Counts the number of times that an incoming flit was able to bypass the Tx flit buffer and pass directly out the QPI Link. Generally, when data is transmitted across QPI, it will bypass the TxQ and pass directly to the link. However, the TxQ will be used with L0p and when LLR occurs, increasing latency to transfer out to the link.

TxL_CYCLES_NE

- **Title:** Tx Flit Buffer Cycles not Empty
- **Category:** TXQ Events
- **Event Code:** 0x06
- Max. Inc/Cyc.: 1, **Register Restrictions:** 0-3
- **Definition:** Counts the number of cycles when the TxQ is not empty. Generally, when data is transmitted across QPI, it will bypass the TxQ and pass directly to the link. However, the TxQ will be used with L0p and when LLR occurs, increasing latency to transfer out to the link.

TxL_FLITS_GO

- **Title:** Flits Transferred - Group 0
- **Category:** FLITS_TX Events
- **Event Code:** 0x00
- Max. Inc/Cyc.: 2, **Register Restrictions:** 0-3
- **Definition:** Counts the number of flits transmitted across the QPI Link. It includes filters for Idle, protocol, and Data Flits. Each "flit" is made up of 80 bits of information (in addition to some ECC data). In full-width (L0) mode, flits are made up of four "fits", each of which contains 20 bits of data (along with some additional ECC data). In half-width (L0p) mode, the fits are only 10 bits, and therefore it takes twice as many fits to transmit a flit. When one talks about QPI "speed" (for example, 8.0 GT/s), the "transfers" here refer to "fits". Therefore, in L0, the system will transfer 1 "flit" at the rate of 1/4th the QPI speed. One can calculate the bandwidth of the link by taking: flits*80b/time. Note that this is not the same as "data" bandwidth. For example, when we are transferring a 64B cacheline across QPI, we will break it into 9 flits -- 1 with header information and 8 with 64 bits of actual "data" and an additional 16 bits of other information. To calculate "data" bandwidth, one should therefore do: data flits * 8B / time (for L0) or 4B instead of 8B for L0p.



Table 2-157. Unit Masks for TxL_FLITS_G0

Extension	umask [15:8]	Description
DATA	b00000010	Data Tx Flits Number of data flits transmitted over QPI. Each flit contains 64b of data. This includes both DRS and NCB data flits (coherent and non-coherent). This can be used to calculate the data bandwidth of the QPI link. One can get a good picture of the QPI-link characteristics by evaluating the protocol flits, data flits, and idle/null flits. This does not include the header flits that go in data packets.
NON_DATA	b00000100	Non-Data protocol Tx Flits Number of non-NULL non-data flits transmitted across QPI. This basically tracks the protocol overhead on the QPI link. One can get a good picture of the QPI-link characteristics by evaluating the protocol flits, data flits, and idle/null flits. This includes the header flits for data packets.

TxL_FLITS_G1

- **Title:** Flits Transferred - Group 1
- **Category:** FLITS_TX Events
- **Event Code:** 0x00
- **Extra Select Bit:** Y
- Max. Inc/Cyc: . 2, **Register Restrictions:** 0-3
- **Definition:** Counts the number of flits transmitted across the QPI Link. This is one of three "groups" that allow us to track flits. It includes filters for SNP, HOM, and DRS message classes. Each "flit" is made up of 80 bits of information (in addition to some ECC data). In full-width (LO) mode, flits are made up of four "fits", each of which contains 20 bits of data (along with some additional ECC data). In half-width (LOp) mode, the fits are only 10 bits, and therefore it takes twice as many fits to transmit a flit. When one talks about QPI "speed" (for example, 8.0 GT/s), the "transfers" here refer to "fits". Therefore, in LO, the system will transfer 1 "flit" at the rate of 1/4th the QPI speed. One can calculate the bandwidth of the link by taking: flits*80b/time. Note that this is not the same as "data" bandwidth. For example, when we are transferring a 64B cacheline across QPI, we will break it into 9 flits -- 1 with header information and 8 with 64 bits of actual "data" and an additional 16 bits of other information. To calculate "data" bandwidth, one should therefore do: data flits * 8B / time.

Table 2-158. Unit Masks for TxL_FLITS_G1

Extension	umask [15:8]	Description
SNP	b00000001	SNP Flits Counts the number of snoop request flits transmitted over QPI. These requests are contained in the snoop channel. This does not include snoop responses, which are transmitted on the home channel.
HOM_REQ	b00000010	HOM Request Flits Counts the number of data request transmitted over QPI on the home channel. This basically counts the number of remote memory requests transmitted over QPI. In conjunction with the local read count in the Home Agent, one can calculate the number of LLC Misses.
HOM_NONREQ	b00000100	HOM Non-Request Flits Counts the number of non-request flits transmitted over QPI on the home channel. These are most commonly snoop responses, and this event can be used as a proxy for that.
HOM	b00000110	HOM Flits Counts the number of flits transmitted over QPI on the home channel.

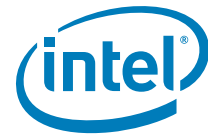


Table 2-158. Unit Masks for TxL_FLITS_G1

Extension	umask [15:8]	Description
DRS_DATA	b00001000	DRS Data Flits Counts the total number of data flits transmitted over QPI on the DRS (Data Response) channel. DRS flits are used to transmit data with coherency. This does not count data flits transmitted over the NCB channel which transmits non-coherent data. This includes only the data flits (not the header).
DRS_NONDATA	b00010000	DRS Header Flits Counts the total number of protocol flits transmitted over QPI on the DRS (Data Response) channel. DRS flits are used to transmit data with coherency. This does not count data flits transmitted over the NCB channel which transmits non-coherent data. This includes only the header flits (not the data). This includes extended headers.
DRS	b00011000	DRS Flits (both Header and Data) Counts the total number of flits transmitted over QPI on the DRS (Data Response) channel. DRS flits are used to transmit data with coherency.

TxL_FLITS_G2

- **Title:** Flits Transferred - Group 2
- **Category:** FLITS_TX Events
- **Event Code:** 0x01
- **Extra Select Bit:** Y
- Max. Inc/Cyc.: 2, **Register Restrictions:** 0-3
- **Definition:** Counts the number of flits transmitted across the QPI Link. This is one of three “groups” that allow us to track flits. It includes filters for NDR, NCB, and NCS message classes. Each “flit” is made up of 80 bits of information (in addition to some ECC data). In full-width (LO) mode, flits are made up of four “fits”, each of which contains 20 bits of data (along with some additional ECC data). In half-width (LOp) mode, the fits are only 10 bits, and therefore it takes twice as many fits to transmit a flit. When one talks about QPI “speed” (for example, 8.0 GT/s), the “transfers” here refer to “fits”. Therefore, in LO, the system will transfer 1 “flit” at the rate of 1/4th the QPI speed. One can calculate the bandwidth of the link by taking: flits*80b/time. Note that this is not the same as “data” bandwidth. For example, when we are transferring a 64B cache-line across QPI, we will break it into 9 flits -- 1 with header information and 8 with 64 bits of actual “data” and an additional 16 bits of other information. To calculate “data” bandwidth, one should therefore do: data flits * 8B / time.

Table 2-159. Unit Masks for TxL_FLITS_G2

Extension	umask [15:8]	Description
NDR_AD	b00000001	Non-Data Response Tx Flits - AD Counts the total number of flits transmitted over the NDR (Non-Data Response) channel. This channel is used to send a variety of protocol flits including grants and completions. This is only for NDR packets to the local socket which use the AK ring.
NDR_AK	b00000010	Non-Data Response Tx Flits - AK Counts the total number of flits transmitted over the NDR (Non-Data Response) channel. This channel is used to send a variety of protocol flits including grants and completions. This is only for NDR packets destined for Route-thru to a remote socket.
NCB_DATA	b00000100	Non-Coherent data Tx Flits Number of Non-Coherent Bypass data flits. These flits are generally used to transmit non-coherent data across QPI. This does not include a count of the DRS (coherent) data flits. This only counts the data flits, not the NCB headers.



Table 2-159. Unit Masks for TxL_FLITS_G2

Extension	umask [15:8]	Description
NCB_NONDATA	b00001000	Non-Coherent non-data Tx Flits Number of Non-Coherent Bypass non-data flits. These packets are generally used to transmit non-coherent data across QPI, and the flits counted here are for headers and other non-data flits. This includes extended headers.
NCB	b00001100	Non-Coherent Bypass Tx Flits Number of Non-Coherent Bypass flits. These packets are generally used to transmit non-coherent data across QPI.
NCS	b00010000	Non-Coherent standard Tx Flits Number of NCS (non-coherent standard) flits transmitted over QPI. This includes extended headers.

TxL_INSERTS

- **Title:** Tx Flit Buffer Allocations
- **Category:** TXQ Events
- **Event Code:** 0x04
- Max. Inc/Cyc: . 1, **Register Restrictions:** 0-3
- **Definition:** Number of allocations into the QPI Tx Flit Buffer. Generally, when data is transmitted across QPI, it will bypass the TxQ and pass directly to the link. However, the TxQ will be used with L0p and when LLR occurs, increasing latency to transfer out to the link. This event can be used in conjunction with the Flit Buffer Occupancy event in order to calculate the average flit buffer lifetime.

TxL_OCCUPANCY

- **Title:** Tx Flit Buffer Occupancy
- **Category:** TXQ Events
- **Event Code:** 0x07
- Max. Inc/Cyc: . 1, **Register Restrictions:** 0-3
- **Definition:** Accumulates the number of flits in the TxQ. Generally, when data is transmitted across QPI, it will bypass the TxQ and pass directly to the link. However, the TxQ will be used with L0p and when LLR occurs, increasing latency to transfer out to the link. This can be used with the cycles not empty event to track average occupancy, or the allocations event to track average lifetime in the TxQ.

TxR_AD_HOM_CREDIT_ACQUIRED

- **Title:** R3QPI Egress Credit Occupancy - HOM
- **Category:** R3QPI_EGRESS_CREDITS Events
- **Event Code:** 0x26
- **Extra Select Bit:** Y
- Max. Inc/Cyc: . 1, **Register Restrictions:** 0-3
- **Definition:** Number of link layer credits into the R3 (for transactions across the BGF) acquired each cycle. Flow Control FIFO for Home messages on AD.

Table 2-160. Unit Masks for TxR_AD_HOM_CREDIT_ACQUIRED

Extension	umask [15:8]	Description
VN0	b00000001	for VN0
VN1	b00000010	for VN1



TxR_AD_HOM_CREDIT_OCCUPANCY

- **Title:** R3QPI Egress Credit Occupancy - AD HOM
- **Category:** R3QPI_EGRESS_CREDITS Events
- **Event Code:** 0x22
- **Extra Select Bit:** Y
- Max. Inc/Cyc.: 28, **Register Restrictions:** 0-3
- **Definition:** Occupancy event that tracks the number of link layer credits into the R3 (for transactions across the BGF) available in each cycle. Flow Control FIFO for HOM messages on AD.

Table 2-161. Unit Masks for TxR_AD_HOM_CREDIT_OCCUPANCY

Extension	umask [15:8]	Description
VN0	b00000001	for VN0
VN1	b00000010	for VN1

TxR_AD_NDR_CREDIT_ACQUIRED

- **Title:** R3QPI Egress Credit Occupancy - AD NDR
- **Category:** R3QPI_EGRESS_CREDITS Events
- **Event Code:** 0x28
- **Extra Select Bit:** Y
- Max. Inc/Cyc.: 1, **Register Restrictions:** 0-3
- **Definition:** Number of link layer credits into the R3 (for transactions across the BGF) acquired each cycle. Flow Control FIFO for NDR messages on AD.

Table 2-162. Unit Masks for TxR_AD_NDR_CREDIT_ACQUIRED

Extension	umask [15:8]	Description
VN0	b00000001	for VN0
VN1	b00000010	for VN1

TxR_AD_NDR_CREDIT_OCCUPANCY

- **Title:** R3QPI Egress Credit Occupancy - AD NDR
- **Category:** R3QPI_EGRESS_CREDITS Events
- **Event Code:** 0x24
- **Extra Select Bit:** Y
- Max. Inc/Cyc.: 8, **Register Restrictions:** 0-3
- **Definition:** Occupancy event that tracks the number of link layer credits into the R3 (for transactions across the BGF) available in each cycle. Flow Control FIFO for NDR messages on AD.

Table 2-163. Unit Masks for TxR_AD_NDR_CREDIT_OCCUPANCY

Extension	umask [15:8]	Description
VN0	b00000001	for VN0
VN1	b00000010	for VN1



TxR_AD_SNP_CREDIT_ACQUIRED

- **Title:** R3QPI Egress Credit Occupancy - SNP
- **Category:** R3QPI_EGRESS_CREDITS Events
- **Event Code:** 0x27
- **Extra Select Bit:** Y
- Max. Inc/Cyc: . 1, **Register Restrictions:** 0-3
- **Definition:** Number of link layer credits into the R3 (for transactions across the BGF) acquired each cycle. Flow Control FIFO for Snoop messages on AD.

Table 2-164. Unit Masks for TxR_AD_SNP_CREDIT_ACQUIRED

Extension	umask [15:8]	Description
VN0	b00000001	for VN0
VN1	b00000010	for VN1

TxR_AD_SNP_CREDIT_OCCUPANCY

- **Title:** R3QPI Egress Credit Occupancy - AD SNP
- **Category:** R3QPI_EGRESS_CREDITS Events
- **Event Code:** 0x23
- **Extra Select Bit:** Y
- Max. Inc/Cyc: . 28, **Register Restrictions:** 0-3
- **Definition:** Occupancy event that tracks the number of link layer credits into the R3 (for transactions across the BGF) available in each cycle. Flow Control FIFO fro Snoop messages on AD.

Table 2-165. Unit Masks for TxR_AD_SNP_CREDIT_OCCUPANCY

Extension	umask [15:8]	Description
VN0	b00000001	for VN0
VN1	b00000010	for VN1

TxR_AK_NDR_CREDIT_ACQUIRED

- **Title:** R3QPI Egress Credit Occupancy - AK NDR
- **Category:** R3QPI_EGRESS_CREDITS Events
- **Event Code:** 0x29
- **Extra Select Bit:** Y
- Max. Inc/Cyc: . 1, **Register Restrictions:** 0-3
- **Definition:** Number of credits into the R3 (for transactions across the BGF) acquired each cycle. Local NDR message class to AK Egress.

TxR_AK_NDR_CREDIT_OCCUPANCY

- **Title:** R3QPI Egress Credit Occupancy - AK NDR
- **Category:** R3QPI_EGRESS_CREDITS Events
- **Event Code:** 0x25
- **Extra Select Bit:** Y
- Max. Inc/Cyc: . 6, **Register Restrictions:** 0-3
- **Definition:** Occupancy event that tracks the number of credits into the R3 (for transactions across the BGF) available in each cycle. Local NDR message class to AK Egress.



TxR_BL_DRS_CREDIT_ACQUIRED

- **Title:** R3QPI Egress Credit Occupancy - DRS
- **Category:** R3QPI_EGRESS_CREDITS Events
- **Event Code:** 0x2a
- **Extra Select Bit:** Y
- Max. Inc/Cyc.: 1, **Register Restrictions:** 0-3
- **Definition:** Number of credits into the R3 (for transactions across the BGF) acquired each cycle. DRS message class to BL Egress.

Table 2-166. Unit Masks for TxR_BL_DRS_CREDIT_ACQUIRED

Extension	umask [15:8]	Description
VN0	b00000001	for VN0
VN1	b00000010	for VN1
VN_SHR	b00000100	for Shared VN

TxR_BL_DRS_CREDIT_OCCUPANCY

- **Title:** R3QPI Egress Credit Occupancy - BL DRS
- **Category:** R3QPI_EGRESS_CREDITS Events
- **Event Code:** 0x1f
- **Extra Select Bit:** Y
- Max. Inc/Cyc.: 8, **Register Restrictions:** 0-3
- **Definition:** Occupancy event that tracks the number of credits into the R3 (for transactions across the BGF) available in each cycle. DRS message class to BL Egress.

Table 2-167. Unit Masks for TxR_BL_DRS_CREDIT_OCCUPANCY

Extension	umask [15:8]	Description
VN0	b00000001	for VN0
VN1	b00000010	for VN1
VN_SHR	b00000100	for Shared VN

TxR_BL_NCB_CREDIT_ACQUIRED

- **Title:** R3QPI Egress Credit Occupancy - NCB
- **Category:** R3QPI_EGRESS_CREDITS Events
- **Event Code:** 0x2b
- **Extra Select Bit:** Y
- Max. Inc/Cyc.: 1, **Register Restrictions:** 0-3
- **Definition:** Number of credits into the R3 (for transactions across the BGF) acquired each cycle. NCB message class to BL Egress.

Table 2-168. Unit Masks for TxR_BL_NCB_CREDIT_ACQUIRED

Extension	umask [15:8]	Description
VN0	b00000001	for VN0
VN1	b00000010	for VN1



TxR_BL_NCB_CREDIT_OCCUPANCY

- **Title:** R3QPI Egress Credit Occupancy - BL NCB
- **Category:** R3QPI_EGRESS_CREDITS Events
- **Event Code:** 0x20
- **Extra Select Bit:** Y
- Max. Inc/Cyc: . 2, **Register Restrictions:** 0-3
- **Definition:** Occupancy event that tracks the number of credits into the R3 (for transactions across the BGF) available in each cycle. NCB message class to BL Egress.

Table 2-169. Unit Masks for TxR_BL_NCB_CREDIT_OCCUPANCY

Extension	umask [15:8]	Description
VN0	b00000001	for VN0
VN1	b00000010	for VN1

TxR_BL_NCS_CREDIT_ACQUIRED

- **Title:** R3QPI Egress Credit Occupancy - NCS
- **Category:** R3QPI_EGRESS_CREDITS Events
- **Event Code:** 0x2c
- **Extra Select Bit:** Y
- Max. Inc/Cyc: . 1, **Register Restrictions:** 0-3
- **Definition:** Number of credits into the R3 (for transactions across the BGF) acquired each cycle. NCS message class to BL Egress.

Table 2-170. Unit Masks for TxR_BL_NCS_CREDIT_ACQUIRED

Extension	umask [15:8]	Description
VN0	b00000001	for VN0
VN1	b00000010	for VN1

TxR_BL_NCS_CREDIT_OCCUPANCY

- **Title:** R3QPI Egress Credit Occupancy - BL NCS
- **Category:** R3QPI_EGRESS_CREDITS Events
- **Event Code:** 0x21
- **Extra Select Bit:** Y
- Max. Inc/Cyc: . 2, **Register Restrictions:** 0-3
- **Definition:** Occupancy event that tracks the number of credits into the R3 (for transactions across the BGF) available in each cycle. NCS message class to BL Egress.

Table 2-171. Unit Masks for TxR_BL_NCS_CREDIT_OCCUPANCY

Extension	umask [15:8]	Description
VN0	b00000001	for VN0
VN1	b00000010	for VN1



VNA_CREDIT_RETURNS

- **Title:** VNA Credits Returned
- **Category:** VNA_CREDIT_RETURN Events
- **Event Code:** 0x1c
- **Extra Select Bit:** Y
- Max. Inc/Cyc: . 1, **Register Restrictions:** 0-3
- **Definition:** Number of VNA credits returned.

VNA_CREDIT_RETURN_OCCUPANCY

- **Title:** VNA Credits Pending Return - Occupancy
- **Category:** VNA_CREDIT_RETURN Events
- **Event Code:** 0x1b
- **Extra Select Bit:** Y
- Max. Inc/Cyc: . 128, **Register Restrictions:** 0-3
- **Definition:** Number of VNA credits in the Rx side that are waiting to be returned back across the link.

2.9 R2PCIE PERFORMANCE MONITORING

2.9.1 Overview of the R2PCIe Box

R2PCIe represents the interface between the Ring and IIO traffic to/from PCIe.

2.9.2 R2PCIe Performance Monitoring Overview

The R2PCIe Box supports event monitoring through four 44b wide counters (R2_PCI_PMON_CTL/CTL{3:0}). Each of these four counters can be programmed to count almost any R2PCIe event (see NOTE for exceptions). the R2PCIe counters can increment by a maximum of 5b per cycle.

For information on how to setup a monitoring session, refer to Section 2.1, "Uncore Per-Socket Performance Monitoring Control".

NOTE

Only counter 0 can be used for tracking occupancy events. Only counters 2&3 can be used for ring utilization events.

2.9.2.1 R2PCIe PMON Registers - On Overflow and the Consequences (PMI/Freeze)

If an overflow is detected from an R2PCIe performance counter enabled to communicate its overflow (R2_PCI_PMON_CTL.ov_en is set to 1), the overflow bit is set at the box level (R2_PCI_PMON_BOX_STATUS.ov) and an overflow message is sent to the UBox. When the UBox receives the overflow signal, U_MSR_PMON_GLOBAL_STATUS.ov_rp is set (see Table 2-3, "U_MSR_PMON_GLOBAL_STATUS Register – Field Definitions") and a PMI can be generated.

Once a freeze has occurred, in order to see a new freeze, the overflow field responsible for the freeze, must be cleared by setting the corresponding bit in R2_PCI_PMON_BOX_STATUS.ov and U_MSR_PMON_GLOBAL_STATU.ov_rp. Assuming all the counters have been locally enabled (.en bit in data registers meant to monitor events) and the overflow bit(s) has been cleared, the R2PCIe Link is prepared for a new sample interval. Once the global controls have been re-enabled (Section 2.1.4, "Enabling a New Sample Interval from Frozen Counters"), counting will resume.



2.9.3 R2PCIe Performance Monitors

Table 2-172. R2PCIe Performance Monitoring Registers

Register Name	PCICFG Address	Size (bits)	Description
PCICFG Base Address	Dev: Func		
R2PCIe PMON Registers	D19:F1		
Box-Level Control/Status			
R2_PCI_PMON_BOX_STATUS	F8	32	R2PCIe PMON Box-Wide Status
R2_PCI_PMON_BOX_CTL	F4	32	R2PCIe PMON Box-Wide Control
Generic Counter Control			
R2_PCI_PMON_CTL3	E4	32	R2PCIe PMON Control for Counter 3
R2_PCI_PMON_CTL2	E0	32	R2PCIe PMON Control for Counter 2
R2_PCI_PMON_CTL1	DC	32	R2PCIe PMON Control for Counter 1
R2_PCI_PMON_CTL0	D8	32	R2PCIe PMON Control for Counter 0
Generic Counters			
R2_PCI_PMON_CTR3	BC+B8	32x2	R2PCIe PMON Counter 3
R2_PCI_PMON_CTR2	B4+B0	32x2	R2PCIe PMON Counter 2
R2_PCI_PMON_CTR1	AC+A8	32x2	R2PCIe PMON Counter 1
R2_PCI_PMON_CTR0	A4+A0	32x2	R2PCIe PMON Counter 0

2.9.3.1 R2PCIe Box Level PMON State

The following registers represent the state governing all box-level PMUs in the R2PCIe Box.

In the case of the R2PCIe, the R2_PCI_PMON_BOX_CTL register provides the ability to manually freeze the counters in the box (*.frz*) and reset the generic state (*.rst_ctrs* and *.rst_ctrl*).

If an overflow is detected from one of the R2PCIe PMON registers, the corresponding bit in the R2_PCI_PMON_BOX_STATUS.ov field will be set. To reset these overflow bits, a user must write a value of '1' to them (which will clear the bits).

Table 2-173. R2_PCI_PMON_BOX_CTL Register - Field Definitions

Field	Bits	Attr	HW Reset Val	Description
ig	31:9	RV	0	Ignored
frz	8	WO	0	Freeze. If set to 1 the counters in this box will be frozen.
ig	7:2	RV	0	Ignored
rst_ctrs	1	WO	0	Reset Counters. When set to 1, the Counter Registers will be reset to 0.
rst_ctrl	0	WO	0	Reset Control. When set to 1, the Counter Control Registers will be reset to 0.



Table 2-174. R2_PCI_PMON_BOX_STATUS Register - Field Definitions

Field	Bits	Attr	HW Reset Val	Description
ig	31:4	RV	0	Ignored
ov	3:0	RW1C	0	If an overflow is detected from the corresponding R2_PCI_PMON_CTR register, it's overflow bit will be set. NOTE: Write of '1' will clear the bit.

2.9.3.2 R2PCIe PMON state - Counter/Control Pairs

The following table defines the layout of the R2PCIe performance monitor control registers. The main task of these configuration registers is to select the event to be monitored by their respective data counter (*.ev_sel*, *.umask*). Additional control bits are provided to shape the incoming events (e.g. *.edge_det*, *.thresh*) as well as provide additional functionality for monitoring software (*.rst*, *.ov_en*).

Table 2-175. R2_PCI_PMON_CTL{3-0} Register - Field Definitions

Field	Bits	Attr	HW Reset Val	Description
thresh	31:24	RW-V	0	Threshold used in counter comparison.
rsv	23	RV	0	Reserved. SW must write to 0 else behavior is undefined.
en	22	RW-V	0	Local Counter Enable.
rsv	21	RV	0	Reserved. SW must write to 0 else behavior is undefined.
ov_en	20	RW-V	0	When this bit is asserted and the corresponding counter overflows, its overflow bit is set in the local status register (R2_PCI_PMON_BOX_STATUS.ov) and an overflow is sent on the message channel to the UBox. When the overflow is received by the UBox, the bit corresponding to this R2 will be set in U_MSR_PMON_GLOBAL_STATUS.ov_rp.
ig	19	RV	0	Ignored
edge_det	18	RW-V	0	When set to 1, rather than measuring the event in each cycle it is active, the corresponding counter will increment when a 0 to 1 transition (i.e. rising edge) is detected. When 0, the counter will increment in each cycle that the event is asserted. NOTE: <i>.edge_det</i> is in series following <i>.thresh</i> . Due to this, the <i>.thresh</i> field must be set to a non-0 value. For events that increment by no more than 1 per cycle, set <i>.thresh</i> to 0x1.
rst	17	WO	0	When set to 1, the corresponding counter will be cleared to 0.
rsv	16	RV	0	Reserved. SW must write to 0 else behavior is undefined.
umask	15:8	RW-V	0	Select subevents to be counted within the selected event.
ev_sel	7:0	RW-V	0	Select event to be counted.

The R2PCIe performance monitor data registers are 44-bit wide. A counter overflow occurs when a carry out from bit 43 is detected. Software can force all uncore counting to freeze after N events by preloading a monitor with a count value of $2^{44} - N$ and setting the control register to send an overflow message to the UBox (Section 2.1.1.1, "Freezing on Counter Overflow"). During the interval of time between overflow and global disable, the counter value will wrap and continue to collect events.

If accessible, software can continuously read the data registers without disabling event collection.



Table 2-176. R2_PCI_PMON_CTR{3-0} Register - Field Definitions

Field	Bits	Attr	HW Reset Val	Description
ig	63:44	RV	0	Ignored
event_count	43:0	RW-V	0	44-bit performance event counter

2.9.4 R2PCIe Performance Monitoring Events

2.9.4.1 An Overview

R2PCIe provides events to track information related to all the traffic passing through it's boundaries.

- IIO credit tracking - credits rejected, acquired and used all broken down by message Class.

2.9.5 R2PCIe Box Events Ordered By Code

The following table summarizes the directly measured R2PCIe Box events.

Symbol Name	Event Code	Ctrs	Max Inc/ Cyc	Description
CLOCKTICKS	0x01	0-3	1	Number of uclks in domain
RING_AD_USED	0x07	0-3	1	R2 AD Ring in Use
RING_AK_USED	0x08	0-3	1	R2 AK Ring in Use
RING_BL_USED	0x09	0-3	1	R2 BL Ring in Use
RING_IV_USED	0x0a	0-3	1	R2 IV Ring in Use
RxR_CYCLES_NE	0x10	0-1	1	Ingress Cycles Not Empty
RxR_INSERTS	0x11	0-1	1	Ingress Allocations
RxR_AK_BOUNCES	0x12	0	1	AK Ingress Bounced
RxR_OCCUPANCY	0x13	0	24	Ingress Occupancy Accumulator
TxR_CYCLES_NE	0x23	0	1	Egress Cycles Not Empty
TxR_CYCLES_FULL	0x25	0	1	Egress Cycles Full
TxR_NACK_CW	0x26	0-1	1	Egress CW NACK
TxR_NACK_CCW	0x28	0-1	1	Egress CCW NACK

2.9.6 R2PCIe Box Common Metrics (Derived Events)

The following table summarizes metrics commonly calculated from R2PCIe Box events.

Symbol Name: Definition	Equation
CYC_USED_DNEVEN: Cycles Used in the Down direction, Even polarity	$RING_BL_USED.CCW_EVEN / SAMPLE_INTERVAL$
CYC_USED_DNODD: Cycles Used in the Down direction, Odd polarity	$RING_BL_USED.CCW_ODD / SAMPLE_INTERVAL$



Symbol Name: Definition	Equation
CYC_USED_UPEVEN: Cycles Used in the Up direction, Even polarity	$RING_BL_USED.CW_EVEN / SAMPLE_INTERVAL$
CYC_USED_UPODD: Cycles Used in the Up direction, Odd polarity	$RING_BL_USED.CW_ODD / SAMPLE_INTERVAL$
RING_THRU_DNEVEN_BYTES: Ring throughput in the Down direction, Even polarity in Bytes	$RING_BL_USED.CCW_EVEN * 32$
RING_THRU_DNODD_BYTES: Ring throughput in the Down direction, Odd polarity in Bytes	$RING_BL_USED.CCW_ODD * 32$
RING_THRU_UPEVEN_BYTES: Ring throughput in the Up direction, Even polarity in Bytes	$RING_BL_USED.CW_EVEN * 32$
RING_THRU_UPODD_BYTES: Ring throughput in the Up direction, Odd polarity in Bytes	$RING_BL_USED.CW_ODD * 32$

2.9.7 R2PCIe Box Performance Monitor Event List

The section enumerates performance monitoring events for the R2PCIe Box.

CLOCKTICKS

- **Title:** Number of uclks in domain
- **Category:** UCLK Events
- **Event Code:** 0x01
- Max. Inc/Cyc.: 1, **Register Restrictions:** 0-3
- **Definition:** Counts the number of uclks in the R2PCIe uclk domain. This could be slightly different than the count in the Ubox because of enable/freeze delays. However, because the R2PCIe is close to the Ubox, they generally should not diverge by more than a handful of cycles.

RING_AD_USED

- **Title:** R2 AD Ring in Use
- **Category:** RING Events
- **Event Code:** 0x07
- Max. Inc/Cyc.: 1, **Register Restrictions:** 0-3
- **Definition:** Counts the number of cycles that the AD ring is being used at this ring stop. This includes when packets are passing by and when packets are being sunk, but does not include when packets are being sent from the ring stop.
- **NOTE:** On a 2 column implementation (e.g. 10C) CW_EVEN is actually CW_VR0_EVEN+CW_VR1_EVEN (similarly for CCW/ODD). In any cycle, a ring stop can see up to one packet moving in the CW direction and one packet moving in the CCW direction.

Table 2-177. Unit Masks for RING_AD_USED

Extension	umask [15:8]	Description
CW_VR0_EVEN	bxxxxxxx1	Clockwise and Even on VRing 0 Filters for the Clockwise and Even ring polarity on Virtual Ring 0.
CW_VR0_ODD	bxxxxxxx1x	Clockwise and Odd on VRing 0 Filters for the Clockwise and Odd ring polarity on Virtual Ring 0.



Table 2-177. Unit Masks for RING_AD_USED

Extension	umask [15:8]	Description
CCW_VR0_EVEN	bxxxxx1xx	Counterclockwise and Even on VRing 0 Filters for the Counterclockwise and Even ring polarity on Virtual Ring 0.
CCW_VR0_ODD	bxxxx1xxx	Counterclockwise and Odd on VRing 0 Filters for the Counterclockwise and Odd ring polarity on Virtual Ring 0.
CW_VR1_EVEN	bxxx1xxxx	Clockwise and Even on VRing 1 Filters for the Clockwise and Even ring polarity on Virtual Ring 1.
CW_VR1_ODD	bxx1xxxxx	Clockwise and Odd on VRing 1 Filters for the Clockwise and Odd ring polarity on Virtual Ring 1.
CW	b00110011	Clockwise
CCW_VR1_EVEN	bx1xxxxxx	Counterclockwise and Even on VRing 1 Filters for the Counterclockwise and Even ring polarity on Virtual Ring 1.
CCW_VR1_ODD	b1xxxxxxx	Counterclockwise and Odd on VRing 1 Filters for the Counterclockwise and Odd ring polarity on Virtual Ring 1.
CCW	b11001100	Counterclockwise

RING_AK_USED

- **Title:** R2 AK Ring in Use
- **Category:** RING Events
- **Event Code:** 0x08
- Max. Inc/Cyc: 1, **Register Restrictions:** 0-3
- **Definition:** Counts the number of cycles that the AK ring is being used at this ring stop. This includes when packets are passing by and when packets are being sunk, but does not include when packets are being sent from the ring stop.
- **NOTE:** On a 2 column implementation (e.g. 10C) CW_EVEN is actually CW_VR0_EVEN+CW_VR1_EVEN (similarly for CCW/ODD). In any cycle, a ring stop can see up to one packet moving in the CW direction and one packet moving in the CCW direction.

Table 2-178. Unit Masks for RING_AK_USED

Extension	umask [15:8]	Description
CW_VR0_EVEN	bxxxxxxx1	Clockwise and Even on VRing 0 Filters for the Clockwise and Even ring polarity on Virtual Ring 0.
CW_VR0_ODD	bxxxxxx1x	Clockwise and Odd on VRing 0 Filters for the Clockwise and Odd ring polarity on Virtual Ring 0.
CCW_VR0_EVEN	bxxxxx1xx	Counterclockwise and Even on VRing 0 Filters for the Counterclockwise and Even ring polarity on Virtual Ring 0.
CCW_VR0_ODD	bxxxx1xxx	Counterclockwise and Odd on VRing 0 Filters for the Counterclockwise and Odd ring polarity on Virtual Ring 0.
CW_VR1_EVEN	bxxx1xxxx	Clockwise and Even on VRing 1 Filters for the Clockwise and Even ring polarity on Virtual Ring 1.
CW_VR1_ODD	bxx1xxxxx	Clockwise and Odd on VRing 1 Filters for the Clockwise and Odd ring polarity on Virtual Ring 1.
CW	b00110011	Clockwise
CCW_VR1_EVEN	bx1xxxxxx	Counterclockwise and Even on VRing 1 Filters for the Counterclockwise and Even ring polarity on Virtual Ring 1.



Table 2-178. Unit Masks for RING_AK_USED

Extension	umask [15:8]	Description
CCW_VR1_ODD	b1xxxxxx	Counterclockwise and Odd on VRing 1 Filters for the Counterclockwise and Odd ring polarity on Virtual Ring 1.
CCW	b11001100	Counterclockwise

RING_BL_USED

- **Title:** R2 BL Ring in Use
- **Category:** RING Events
- **Event Code:** 0x09
- Max. Inc/Cyc.: 1, **Register Restrictions:** 0-3
- **Definition:** Counts the number of cycles that the BL ring is being used at this ring stop. This includes when packets are passing by and when packets are being sunk, but does not include when packets are being sent from the ring stop.
- **NOTE:** On a 2 column implementation (e.g. 10C) CW_EVEN is actually CW_VR0_EVEN+CW_VR1_EVEN (similarly for CCW/ODD). In any cycle, a ring stop can see up to one packet moving in the CW direction and one packet moving in the CCW direction.

Table 2-179. Unit Masks for RING_BL_USED

Extension	umask [15:8]	Description
CW_VR0_EVEN	bxxxxxx1	Clockwise and Even on VRing 0 Filters for the Clockwise and Even ring polarity on Virtual Ring 0.
CW_VR0_ODD	bxxxxx1x	Clockwise and Odd on VRing 0 Filters for the Clockwise and Odd ring polarity on Virtual Ring 0.
CCW_VR0_EVEN	bxxxx1xx	Counterclockwise and Even on VRing 0 Filters for the Counterclockwise and Even ring polarity on Virtual Ring 0.
CCW_VR0_ODD	bxxxx1xxx	Counterclockwise and Odd on VRing 0 Filters for the Counterclockwise and Odd ring polarity on Virtual Ring 0.
CW_VR1_EVEN	bxxx1xxxx	Clockwise and Even on VRing 1 Filters for the Clockwise and Even ring polarity on Virtual Ring 1.
CW_VR1_ODD	bxx1xxxx	Clockwise and Odd on VRing 1 Filters for the Clockwise and Odd ring polarity on Virtual Ring 1.
CW	b00110011	Clockwise
CCW_VR1_EVEN	bx1xxxxx	Counterclockwise and Even on VRing 1 Filters for the Counterclockwise and Even ring polarity on Virtual Ring 1.
CCW_VR1_ODD	b1xxxxxx	Counterclockwise and Odd on VRing 1 Filters for the Counterclockwise and Odd ring polarity on Virtual Ring 1.
CCW	b11001100	Counterclockwise

RING_IV_USED

- **Title:** R2 IV Ring in Use
- **Category:** RING Events
- **Event Code:** 0x0a
- Max. Inc/Cyc.: 1, **Register Restrictions:** 0-3
- **Definition:** Counts the number of cycles that the IV ring is being used at this ring stop. This includes when packets are passing by and when packets are being sent, but does not include when packets are being sunk into the ring stop. The IV ring is unidirectional. Whether UP or DN is



used is dependent on the system programming. Therefore, one should generally set both the UP and DN bits for a given polarity (or both) at a given time.

Table 2-180. Unit Masks for RING_IV_USED

Extension	umask [15:8]	Description
CW	b00110011	Clockwise Filters for Clockwise polarity
CCW	b11001100	Counterclockwise Filters for Counterclockwise polarity
ANY	b11111111	Any Filters any polarity

RxR_AK_BOUNCES

- **Title:** AK Ingress Bounced
- **Category:** INGRESS Events
- **Event Code:** 0x12
- Max. Inc/Cyc: . 1, **Register Restrictions:** 0
- **Definition:** Counts the number of times when a request destined for the AK ingress bounced.

Table 2-181. Unit Masks for RxR_AK_BOUNCES

Extension	umask [15:8]	Description
CW	bxxxxxxx1	Clockwise
CCW	bxxxxxx1x	Counterclockwise

RxR_CYCLES_NE

- **Title:** Ingress Cycles Not Empty
- **Category:** INGRESS Events
- **Event Code:** 0x10
- Max. Inc/Cyc: . 1, **Register Restrictions:** 0-1
- **Definition:** Counts the number of cycles when the R2PCIe Ingress is not empty. This tracks one of the three rings that are used by the R2PCIe agent. This can be used in conjunction with the R2PCIe Ingress Occupancy Accumulator event in order to calculate average queue occupancy. Multiple ingress buffers can be tracked at a given time using multiple counters.

Table 2-182. Unit Masks for RxR_CYCLES_NE

Extension	umask [15:8]	Description
NCB	bxxx1xxxx	NCB NCB Ingress Queue
NCS	bxx1xxxxx	NCS NCS Ingress Queue

RxR_INSERTS

- **Title:** Ingress Allocations
- **Category:** INGRESS Events
- **Event Code:** 0x11
- Max. Inc/Cyc: . 1, **Register Restrictions:** 0-1
- **Definition:** Counts the number of allocations into the R2PCIe Ingress. This tracks one of the three rings that are used by the R2PCIe agent. This can be used in conjunction with the R2PCIe Ingress



Occupancy Accumulator event in order to calculate average queue latency. Multiple ingress buffers can be tracked at a given time using multiple counters.

Table 2-183. Unit Masks for RxR_INSERTS

Extension	umask [15:8]	Description
NCB	bxxx1xxxx	NCB NCB Ingress Queue
NCS	bxx1xxxxx	NCS NCS Ingress Queue

RxR_OCCUPANCY

- **Title:** Ingress Occupancy Accumulator
- **Category:** INGRESS Events
- **Event Code:** 0x13
- Max. Inc/Cyc.: 24, **Register Restrictions:** 0
- **Definition:** Accumulates the occupancy of a given R2PCIe Ingress queue in each cycles. This tracks one of the three ring Ingress buffers. This can be used with the R2PCIe Ingress Not Empty event to calculate average occupancy or the R2PCIe Ingress Allocations event in order to calculate average queuing latency.

Table 2-184. Unit Masks for RxR_OCCUPANCY

Extension	umask [15:8]	Description
DRS	b00001000	DRS DRS Ingress Queue

TxR_CYCLES_FULL

- **Title:** Egress Cycles Full
- **Category:** EGRESS Events
- **Event Code:** 0x25
- Max. Inc/Cyc.: 1, **Register Restrictions:** 0
- **Definition:** Counts the number of cycles when the R2PCIe Egress buffer is full.

Table 2-185. Unit Masks for TxR_CYCLES_FULL

Extension	umask [15:8]	Description
AD	bxxxxxxx1	AD AD Egress Queue
AK	bxxxxxx1x	AK AK Egress Queue
BL	bxxxxx1xx	BL BL Egress Queue

TxR_CYCLES_NE

- **Title:** Egress Cycles Not Empty
- **Category:** EGRESS Events
- **Event Code:** 0x23
- Max. Inc/Cyc.: 1, **Register Restrictions:** 0
- **Definition:** Counts the number of cycles when the R2PCIe Egress is not empty. This tracks one of the three rings that are used by the R2PCIe agent. This can be used in conjunction with the R2PCIe Egress Occupancy Accumulator event in order to calculate average queue occupancy. Only



a single Egress queue can be tracked at any given time. It is not possible to filter based on direction or polarity.

Table 2-186. Unit Masks for TxR_CYCLES_NE

Extension	umask [15:8]	Description
AD	bxxxxxxx1	AD AD Egress Queue
AK	bxxxxxx1x	AK AK Egress Queue
BL	bxxxxx1xx	BL BL Egress Queue

TxR_NACK_CCW

- **Title:** Egress CCW NACK
- **Category:** EGRESS Events
- **Event Code:** 0x28
- Max. Inc/Cyc: . 1, **Register Restrictions:** 0-1
- **Definition:**

Table 2-187. Unit Masks for TxR_NACK_CCW

Extension	umask [15:8]	Description
AD	bxxxxxxx1	AD CCW AD CounterClockwise Egress Queue
AK	bxxxxxx1x	AK CCW AK CounterClockwise Egress Queue
BL	bxxxxx1xx	BL CCW BL CounterClockwise Egress Queue

TxR_NACK_CW

- **Title:** Egress CW NACK
- **Category:** EGRESS Events
- **Event Code:** 0x26
- Max. Inc/Cyc: . 1, **Register Restrictions:** 0-1
- **Definition:**

Table 2-188. Unit Masks for TxR_NACK_CW

Extension	umask [15:8]	Description
AD	bxxxxxxx1	AD CW AD Clockwise Egress Queue
AK	bxxxxxx1x	AK CW AK Clockwise Egress Queue
BL	bxxxxx1xx	BL CW BL Clockwise Egress Queue



2.10 R3QPI PERFORMANCE MONITORING

2.10.1 Overview of the R3QPI Box

R3QPI is the interface between the Intel® QPI Link Layer, which packetizes requests, and the Ring.

R3QPI is the interface between the ring and the Intel® QPI Link Layer. It is responsible for translating between ring protocol packets and flits that are used for transmitting data across the Intel® QPI interface. It performs credit checking between the local Intel® QPI LL, the remote Intel® QPI LL and other agents on the local ring.

The R3QPI agent provides several functions:

- **Interface between Ring and Intel® QPI:**
One of the primary attributes of the ring is its ability to convey Intel® QPI semantics with no translation. For example, this architecture enables initiators to communicate with a local Home agent in exactly the same way as a remote Home agent on another socket. With this philosophy, the R3QPI block is lean and does very little with regards to the Intel® QPI protocol aside from mirror the request between the ring and the Intel® QPI interface.
- **Intel® QPI routing:**
In order to optimize layout and latency, both full width Intel® QPI interfaces share the same ring stop. Therefore, a Intel® QPI packet might be received on one interface and simply forwarded along on the other Intel® QPI interface. The R3QPI has sufficient routing logic to determine if a request, snoop or response is targeting the local socket or if it should be forwarded along to the other interface. This routing remains isolated to R3QPI and does not impede traffic on the Ring.
- **Intel® QPI Home Snoop Protocol (with early snoop optimizations for DP):**
The R3QPI agent implements a latency-reducing optimization for dual sockets which issues snoops within the socket for incoming requests as well as a latency-reducing optimization to return data satisfying Direct2Core (D2C) requests.

2.10.2 R3QPI Performance Monitoring Overview

Each R3QPI Link supports event monitoring through three 44b wide counters (R3_Ly_PCI_PMON_CTL{2:0}). Each of these three counters can be programmed to count almost any R3QPI event (see NOTE for exceptions). The R3QPI counters can increment by a maximum of 8b per cycle.

For information on how to setup a monitoring session, refer to Section 2.1, “Uncore Per-Socket Performance Monitoring Control”.

NOTE

Only counter 0 can be used for tracking occupancy events. Only counter 2 can be used to count ring events.

2.10.2.1 R3QPI PMON Registers - On Overflow and the Consequences (PMI/Freeze)

If an overflow is detected from an R3QPI performance counter enabled to communicate its overflow (R3_Ly_PCI_PMON_CTL.ov_en is set to 1), the overflow bit is set at the box level (R3_Ly_PCI_PMON_BOX_STATUS.ov) and an overflow message is sent to the UBox. When the UBox receives the overflow signal, U_MSR_PMON_GLOBAL_STATUS.ov_rq is set (see Table 2-3, “U_MSR_PMON_GLOBAL_STATUS Register – Field Definitions”) and a PMI can be generated.



Once a freeze has occurred, in order to see a new freeze, the overflow field responsible for the freeze, must be cleared by setting the corresponding bit in R3_Ly_PCI_PMON_BOX_STATUS.ov and U_MSR_PMON_GLOBAL_STATU.ov_rq. Assuming all the counters have been locally enabled (.en bit in data registers meant to monitor events) and the overflow bit(s) has been cleared, the R3QPI Link is prepared for a new sample interval. Once the global controls have been re-enabled (Section 2.1.4, “Enabling a New Sample Interval from Frozen Counters”), counting will resume.

2.10.3 R3QPI Performance Monitors

Table 2-189. R3QPI Performance Monitoring Registers

Register Name	PCICFG Address	Size (bits)	Description
PCICFG Base Address	Dev:Func		
R3QPI0 Link 0 PMON Registers	D19:F5		
R3QPI0 Link 1 PMON Registers	D19:F6		
R3QPI1 Link 2 PMON Registers	D18:F5		
Box-Level Control/Status			
R3_Ly_PCI_PMON_BOX_STATUS	F8	32	R3QPI Link y PMON Box-Wide Status
R3_Ly_PCI_PMON_BOX_CTL	F4	32	R3QPI Link y PMON Box-Wide Control
Generic Counter Control			
R3_Ly_PCI_PMON_CTL2	E0	32	R3QPI Link y PMON Control for Counter 2
R3_Ly_PCI_PMON_CTL1	DC	32	R3QPI Link y PMON Control for Counter 1
R3_Ly_PCI_PMON_CTL0	D8	32	R3QPI Link y PMON Control for Counter 0
Generic Counters			
R3_Ly_PCI_PMON_CTR2	B4+B0	32x2	R3QPI Link y PMON Counter 2
R3_Ly_PCI_PMON_CTR1	AC+A8	32x2	R3QPI Link y PMON Counter 1
R3_Ly_PCI_PMON_CTR0	A4+A0	32x2	R3QPI Link y PMON Counter 0

2.10.3.1 R3QPI Box Level PMON State

The following registers represent the state governing all box-level PMUs for each Link of the R3QPI Box.

In the case of the R3QPI Links, the R3_Ly_PCI_PMON_BOX_CTL register provides the ability to manually freeze the counters in the box (.frz) and reset the generic state (.rst_ctr0 and .rst_ctr1).

If an overflow is detected from one of the R3QPI PMON registers, the corresponding bit in the R3_Ly_PCI_PMON_BOX_STATUS.ov field will be set. To reset these overflow bits, a user must write a value of '1' to them (which will clear the bits).



Table 2-190. R3_Ly_PCI_PMON_BOX_CTL Register - Field Definitions

Field	Bits	Attr	HW Reset Val	Description
ig	31:9	RV	0	Ignored
frz	8	WO	0	Freeze. If set to 1 the counters in this box will be frozen.
ig	7:2	RV	0	Ignored
rst_ctrs	1	WO	0	Reset Counters. When set to 1, the Counter Registers will be reset to 0.
rst_ctrl	0	WO	0	Reset Control. When set to 1, the Counter Control Registers will be reset to 0.

Table 2-191. R3_Ly_PCI_PMON_BOX_STATUS Register - Field Definitions

Field	Bits	Attr	HW Reset Val	Description
ig	31:4	RV	0	Ignored
rsv	3	RV	0	Reserved; SW must write to 0 else behavior is undefined.
ov	2:0	RW1C	0	If an overflow is detected from the corresponding R3_Ly_PCI_PMON_CTR register, it's overflow bit will be set. NOTE: Write of '1' will clear the bit.

2.10.3.2 R3QPI PMON state - Counter/Control Pairs

The following table defines the layout of the R3QPI performance monitor control registers. The main task of these configuration registers is to select the event to be monitored by their respective data counter (*.ev_sel*, *.umask*). Additional control bits are provided to shape the incoming events (e.g. *.edge_det*, *.thresh*) as well as provide additional functionality for monitoring software (*.rst*, *.ov_en*).



Table 2-192. R3_Ly_PCI_PMON_CTL{2-0} Register - Field Definitions

Field	Bits	Attr	HW Reset Val	Description
thresh	31:24	RW-V	0	Threshold used in counter comparison.
rsv	23	RV	0	Reserved. SW must write to 0 else behavior is undefined.
en	22	RW-V	0	Local Counter Enable.
rsv	21	RV	0	Reserved. SW must write to 0 else behavior is undefined.
ov_en	20	RW-V	0	When this bit is asserted and the corresponding counter overflows, its overflow bit is set in the local status register (R3_Ly_PCI_PMON_BOX_STATUS.ov) and an overflow is sent on the message channel to the UBox. When the overflow is received by the UBox, the bit corresponding to this R3 will be set in U_MSR_PMON_GLOBAL_STATUS.ov_r3{1,0}.
ig	19	RV	0	Ignored
edge_det	18	RW-V	0	When set to 1, rather than measuring the event in each cycle it is active, the corresponding counter will increment when a 0 to 1 transition (i.e. rising edge) is detected. When 0, the counter will increment in each cycle that the event is asserted. NOTE: .edge_det is in series following .thresh. Due to this, the .thresh field must be set to a non-0 value. For events that increment by no more than 1 per cycle, set .thresh to 0x1.
rst	17	WO	0	When set to 1, the corresponding counter will be cleared to 0.
rsv	16	RV	0	Reserved. SW must write to 0 else behavior is undefined.
umask	15:8	RW-V	0	Select subevents to be counted within the selected event.
ev_sel	7:0	RW-V	0	Select event to be counted.

The R3QPI performance monitor data registers are 44b wide. A counter overflow occurs when a carry out from bit 43 is detected. Software can force all uncore counting to freeze after N events by preloading a monitor with a count value of $2^{44} - N$ and setting the control register to send an overflow message to the UBox (Section 2.1.1.1, “Freezing on Counter Overflow”). During the interval of time between overflow and global disable, the counter value will wrap and continue to collect events.

If accessible, software can continuously read the data registers without disabling event collection.

Table 2-193. R3_Ly_PCI_PMON_CTR{2-0} Register - Field Definitions

Field	Bits	Attr	HW Reset Val	Description
ig	63:44	RV	0	Ignored
event_count	43:0	RW-V	0	44-bit performance event counter

2.10.4 R3QPI Performance Monitoring Events

2.10.4.1 An Overview

R3QPI provides events to track information related to all the traffic passing through it’s boundaries.

- VN/IIO credit tracking - in addition to tracking the occupancy of the full VNA queue, R3QPI provides a great deal of additional information: credits rejected, acquired and used often broken down by Message Class.



2.10.5 R3QPI Box Events Ordered By Code

The following table summarizes the directly measured R3QPI Box events.

Symbol Name	Event Code	Ctrs	Max Inc/Cyc	Description
CLOCKTICKS	0x01	0-2	0	Number of uclks in domain
RING_AD_USED	0x07	0-2	1	R3 AD Ring in Use
RING_AK_USED	0x08	0-2	1	R3 AK Ring in Use
RING_BL_USED	0x09	0-2	1	R3 BL Ring in Use
RING_IV_USED	0x0a	0-2	1	R2 IV Ring in Use
RxR_CYCLES_NE	0x10	0-1	1	Ingress Cycles Not Empty
RxR_INSERTS	0x11	0-1	1	Ingress Allocations
RxR_AD_BYPASSED	0x12	0-1	1	AD Ingress Bypassed
RxR_OCCUPANCY	0x13	0	32	Ingress Occupancy Accumulator
TxR_CYCLES_NE	0x23	0-1	1	Egress Cycles Not Empty
TxR_CYCLES_FULL	0x25	0-1	1	Egress Cycles Full
TxR_NACK_CW	0x26	0-1	1	Egress NACK
TxR_NACK_CCW	0x28	0-1	1	Egress NACK
QPI0_AD_CREDITS_EMPTY	0x29	0-1	1	QPI0 AD Credits Empty
QPI1_AD_CREDITS_EMPTY	0x2a	0-1	1	QPI1 AD Credits Empty
C_LO_AD_CREDITS_EMPTY	0x2b	0-1	1	CBox AD Credits Empty
C_HI_AD_CREDITS_EMPTY	0x2c	0-1	1	CBox AD Credits Empty
QPI0_BL_CREDITS_EMPTY	0x2d	0-1	1	QPI0 BL Credits Empty
QPI1_BL_CREDITS_EMPTY	0x2e	0-1	1	QPI1 BL Credits Empty
HA_R2_BL_CREDITS_EMPTY	0x2f	0-1	1	HA/R2 AD Credits Empty
VNA_CREDIT_CYCLES_OUT	0x31	0-1	1	Cycles with no VNA credits available
VNA_CREDIT_CYCLES_USED	0x32	0-1	1	Cycles with 1 or more VNA credits in use
VNA_CREDITS_ACQUIRED	0x33	0-1	4	VNA credit Acquisitions
VNA_CREDITS_REJECT	0x34	0-1	1	VNA Credit Reject
VNO_CREDITS_USED	0x36	0-1	1	VNO Credit Used
VNO_CREDITS_REJECT	0x37	0-1	1	VNO Credit Acquisition Failed on DRS
VN1_CREDITS_USED	0x38	0-1	1	VN1 Credit Used
VN1_CREDITS_REJECT	0x39	0-1	1	VN1 Credit Acquisition Failed on DRS

2.10.6 R3QPI Box Common Metrics (Derived Events)

The following table summarizes metrics commonly calculated from R3QPI Box events.

2.10.7 R3QPI Box Performance Monitor Event List

The section enumerates performance monitoring events for the R3QPI Box.



CLOCKTICKS

- **Title:** Number of uclks in domain
- **Category:** UCLK Events
- **Event Code:** 0x01
- Max. Inc/Cyc: . 0, **Register Restrictions:** 0-2
- **Definition:** Counts the number of uclks in the QPI uclk domain. This could be slightly different than the count in the Ubox because of enable/freeze delays. However, because the QPI Agent is close to the Ubox, they generally should not diverge by more than a handful of cycles.

C_HI_AD_CREDITS_EMPTY

- **Title:** CBox AD Credits Empty
- **Category:** EGRESS Credit Events
- **Event Code:** 0x2c
- Max. Inc/Cyc: . 1, **Register Restrictions:** 0-1
- **Definition:** No credits available to send to Cbox on the AD Ring (covers higher CBoxes)

Table 2-194. Unit Masks for C_HI_AD_CREDITS_EMPTY

Extension	umask [15:8]	Description
CBO8	bxxxxxxx1	Cbox 8
CBO9	bxxxxx1x	Cbox 9
CBO10	bxxxx1xx	Cbox 10
CBO11	bxxxx1xxx	Cbox 11
CBO12	bxxx1xxxx	Cbox 12
CBO13	bxx1xxxxx	Cbox 13
CBO14	bx1xxxxxx	Cbox 14&16

C_LO_AD_CREDITS_EMPTY

- **Title:** CBox AD Credits Empty
- **Category:** EGRESS Credit Events
- **Event Code:** 0x2b
- Max. Inc/Cyc: . 1, **Register Restrictions:** 0-1
- **Definition:** No credits available to send to Cbox on the AD Ring (covers lower CBoxes)

Table 2-195. Unit Masks for C_LO_AD_CREDITS_EMPTY

Extension	umask [15:8]	Description
CBO0	bxxxxxxx1	Cbox 0
CBO1	bxxxxx1x	Cbox 1
CBO2	bxxxx1xx	Cbox 2
CBO3	bxxxx1xxx	Cbox 3
CBO4	bxxx1xxxx	Cbox 4
CBO5	bxx1xxxxx	Cbox 5
CBO6	bx1xxxxxx	Cbox 6
CBO7	b1xxxxxxx	Cbox 7



HA_R2_BL_CREDITS_EMPTY

- **Title:** HA/R2 AD Credits Empty
- **Category:** EGRESS Credit Events
- **Event Code:** 0x2f
- Max. Inc/Cyc.: 1, **Register Restrictions:** 0-1
- **Definition:** No credits available to send to either HA or R2 on the BL Ring
- **NOTE:** Counter 0 counts lack of credits to the lesser numbered Cboxes (0-8) Counter 1 counts lack of credits to Cbox to the higher numbered CBoxes (8-13,15+17,16+18).

Table 2-196. Unit Masks for HA_R2_BL_CREDITS_EMPTY

Extension	umask [15:8]	Description
HA0	bxxxxxxx1	HA0
HA1	bxxxxxx1x	HA1
R2_NCB	bxxxx1xx	R2 NCB Messages
R2_NCS	bxxxx1xxx	R2 NCS Messages

QPIO_AD_CREDITS_EMPTY

- **Title:** QPIO AD Credits Empty
- **Category:** EGRESS Credit Events
- **Event Code:** 0x29
- Max. Inc/Cyc.: 1, **Register Restrictions:** 0-1
- **Definition:** No credits available to send to QPIO on the AD Ring

Table 2-197. Unit Masks for QPIO_AD_CREDITS_EMPTY

Extension	umask [15:8]	Description
VNA	bxxxxxxx1	VNA
VNO_HOM	bxxxxxx1x	VNO HOM Messages
VNO_SNP	bxxxx1xx	VNO SNP Messages
VNO_NDR	bxxxx1xxx	VNO NDR Messages
VN1_HOM	bxxx1xxxx	VN1 HOM Messages
VN1_SNP	bxx1xxxxx	VN1 SNP Messages
VN1_NDR	bx1xxxxxx	VN1 NDR Messages

QPIO_BL_CREDITS_EMPTY

- **Title:** QPIO BL Credits Empty
- **Category:** EGRESS Credit Events
- **Event Code:** 0x2d
- Max. Inc/Cyc.: 1, **Register Restrictions:** 0-1
- **Definition:** No credits available to send to QPIO on the BL Ring

Table 2-198. Unit Masks for QPIO_BL_CREDITS_EMPTY

Extension	umask [15:8]	Description
VNA	bxxxxxxx1	VNA
VNO_HOM	bxxxxxx1x	VNO HOM Messages



Table 2-198. Unit Masks for QPIO_BL_CREDITS_EMPTY

Extension	umask [15:8]	Description
VNO_SNP	bxxxxx1xx	VNO SNP Messages
VNO_NDR	bxxxx1xxx	VNO NDR Messages
VN1_HOM	bxxx1xxxx	VN1 HOM Messages
VN1_SNP	bxx1xxxxx	VN1 SNP Messages
VN1_NDR	bx1xxxxxx	VN1 NDR Messages

QPI1_AD_CREDITS_EMPTY

- **Title:** QPI1 AD Credits Empty
- **Category:** EGRESS Credit Events
- **Event Code:** 0x2a
- Max. Inc/Cyc: . 1, **Register Restrictions:** 0-1
- **Definition:** No credits available to send to QPI1 on the AD Ring

Table 2-199. Unit Masks for QPI1_AD_CREDITS_EMPTY

Extension	umask [15:8]	Description
VNA	bxxxxxxx1	VNA
VNO_HOM	bxxxxxx1x	VNO HOM Messages
VNO_SNP	bxxxxx1xx	VNO SNP Messages
VNO_NDR	bxxxx1xxx	VNO NDR Messages
VN1_HOM	bxxx1xxxx	VN1 HOM Messages
VN1_SNP	bxx1xxxxx	VN1 SNP Messages
VN1_NDR	bx1xxxxxx	VN1 NDR Messages

QPI1_BL_CREDITS_EMPTY

- **Title:** QPI1 BL Credits Empty
- **Category:** EGRESS Credit Events
- **Event Code:** 0x2e
- Max. Inc/Cyc: . 1, **Register Restrictions:** 0-1
- **Definition:** No credits available to send to QPI1 on the BL Ring

Table 2-200. Unit Masks for QPI1_BL_CREDITS_EMPTY

Extension	umask [15:8]	Description
VNA	bxxxxxxx1	VNA
VNO_HOM	bxxxxxx1x	VNO HOM Messages
VNO_SNP	bxxxxx1xx	VNO SNP Messages
VNO_NDR	bxxxx1xxx	VNO NDR Messages
VN1_HOM	bxxx1xxxx	VN1 HOM Messages
VN1_SNP	bxx1xxxxx	VN1 SNP Messages
VN1_NDR	bx1xxxxxx	VN1 NDR Messages



RING_AD_USED

- **Title:** R3 AD Ring in Use
- **Category:** RING Events
- **Event Code:** 0x07
- Max. Inc/Cyc.: 1, **Register Restrictions:** 0-2
- **Definition:** Counts the number of cycles that the AD ring is being used at this ring stop. This includes when packets are passing by and when packets are being sunk, but does not include when packets are being sent from the ring stop.
- **NOTE:** On a 2 column implementation (e.g. 10 cores) CW_EVEN is actually CW_VR0_EVEN+CW_VR1_EVEN (similarly for CCW/ODD). In any cycle, a ring stop can see up to one packet moving in the CW direction and one packet moving in the CCW direction.

Table 2-201. Unit Masks for RING_AD_USED

Extension	umask [15:8]	Description
CW_VR0_EVEN	bxxxxxx1	Clockwise and Even on VRing 0 Filters for the Clockwise and Even ring polarity on Virtual Ring 0.
CW_VR0_ODD	bxxxxx1x	Clockwise and Odd on VRing 0 Filters for the Clockwise and Odd ring polarity on Virtual Ring 0.
CCW_VR0_EVEN	bxxxx1xx	Counterclockwise and Even on VRing 0 Filters for the Counterclockwise and Even ring polarity on Virtual Ring 0.
CCW_VR0_ODD	bxxxx1xxx	Counterclockwise and Odd on VRing 0 Filters for the Counterclockwise and Odd ring polarity on Virtual Ring 0.
CW	b00110011	Clockwise
CCW	b11001100	Counterclockwise

RING_AK_USED

- **Title:** R3 AK Ring in Use
- **Category:** RING Events
- **Event Code:** 0x08
- Max. Inc/Cyc.: 1, **Register Restrictions:** 0-2
- **Definition:** Counts the number of cycles that the AK ring is being used at this ring stop. This includes when packets are passing by and when packets are being sunk, but does not include when packets are being sent from the ring stop.
- **NOTE:** On a 2 column implementation (e.g. 10C) CW_EVEN is actually CW_VR0_EVEN+CW_VR1_EVEN (similarly for CCW/ODD). In any cycle, a ring stop can see up to one packet moving in the CW direction and one packet moving in the CCW direction.

Table 2-202. Unit Masks for RING_AK_USED

Extension	umask [15:8]	Description
CW_VR0_EVEN	bxxxxxx1	Clockwise and Even on VRing 0 Filters for the Clockwise and Even ring polarity on Virtual Ring 0.
CW_VR0_ODD	bxxxxx1x	Clockwise and Odd on VRing 0 Filters for the Clockwise and Odd ring polarity on Virtual Ring 0.
CCW_VR0_EVEN	bxxxx1xx	Counterclockwise and Even on VRing 0 Filters for the Counterclockwise and Even ring polarity on Virtual Ring 0.
CCW_VR0_ODD	bxxxx1xxx	Counterclockwise and Odd on VRing 0 Filters for the Counterclockwise and Odd ring polarity on Virtual Ring 0.



Table 2-202. Unit Masks for RING_AK_USED

Extension	umask [15:8]	Description
CW	b00110011	Clockwise
CCW	b11001100	Counterclockwise

RING_BL_USED

- **Title:** R3 BL Ring in Use
- **Category:** RING Events
- **Event Code:** 0x09
- Max. Inc/Cyc: . 1, **Register Restrictions:** 0-2
- **Definition:** Counts the number of cycles that the BL ring is being used at this ring stop. This includes when packets are passing by and when packets are being sunk, but does not include when packets are being sent from the ring stop.
- **NOTE:** On a 2 column implementation (e.g. 10C) CW_EVEN is actually CW_VR0_EVEN+CW_VR1_EVEN (similarly for CCW/ODD). In any cycle, a ring stop can see up to one packet moving in the CW direction and one packet moving in the CCW direction.

Table 2-203. Unit Masks for RING_BL_USED

Extension	umask [15:8]	Description
CW_VR0_EVEN	bxxxxxxx1	Clockwise and Even on VRing 0 Filters for the Clockwise and Even ring polarity on Virtual Ring 0.
CW_VR0_ODD	bxxxxxx1x	Clockwise and Odd on VRing 0 Filters for the Clockwise and Odd ring polarity on Virtual Ring 0.
CCW_VR0_EVEN	bxxxx1xx	Counterclockwise and Even on VRing 0 Filters for the Counterclockwise and Even ring polarity on Virtual Ring 0.
CCW_VR0_ODD	bxxxx1xxx	Counterclockwise and Odd on VRing 0 Filters for the Counterclockwise and Odd ring polarity on Virtual Ring 0.
CW	b00110011	Clockwise
CCW	b11001100	Counterclockwise

RING_IV_USED

- **Title:** R2 IV Ring in Use
- **Category:** RING Events
- **Event Code:** 0x0a
- Max. Inc/Cyc: . 1, **Register Restrictions:** 0-2
- **Definition:** Counts the number of cycles that the IV ring is being used at this ring stop. This includes when packets are passing by and when packets are being sent, but does not include when packets are being sunk into the ring stop. The IV ring is unidirectional. Whether UP or DN is used is dependent on the system programming. Therefore, one should generally set both the UP and DN bits for a given polarity (or both) at a given time.

Table 2-204. Unit Masks for RING_IV_USED

Extension	umask [15:8]	Description
CW	b00110011	Clockwise Filters for Clockwise polarity

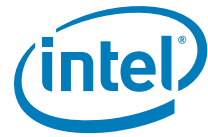


Table 2-204. Unit Masks for RING_IV_USED

Extension	umask [15:8]	Description
CCW	b11001100	Counterclockwise Filters for Counterclockwise polarity
ANY	b11111111	Any Filters any polarity

RxR_AD_BYPASSED

- **Title:** AD Ingress Bypassed
- **Category:** INGRESS Events
- **Event Code:** 0x12
- Max. Inc/Cyc.: 1, **Register Restrictions:** 0-1
- **Definition:** Counts the number of times when the AD Ingress was bypassed and an incoming transaction was bypassed directly across the BGF and into the qfclk domain.

RxR_CYCLES_NE

- **Title:** Ingress Cycles Not Empty
- **Category:** INGRESS Events
- **Event Code:** 0x10
- Max. Inc/Cyc.: 1, **Register Restrictions:** 0-1
- **Definition:** Counts the number of cycles when the QPI Ingress is not empty. This tracks one of the three rings that are used by the QPI agent. This can be used in conjunction with the QPI Ingress Occupancy Accumulator event in order to calculate average queue occupancy. Multiple ingress buffers can be tracked at a given time using multiple counters.

Table 2-205. Unit Masks for RxR_CYCLES_NE

Extension	umask [15:8]	Description
HOM	bxxxxxxx1	HOM HOM Ingress Queue
SNP	bxxxxxx1x	SNP SNP Ingress Queue
NDR	bxxxxx1xx	NDR NDR Ingress Queue

RxR_INSERTS

- **Title:** Ingress Allocations
- **Category:** INGRESS Events
- **Event Code:** 0x11
- Max. Inc/Cyc.: 1, **Register Restrictions:** 0-1
- **Definition:** Counts the number of allocations into the QPI Ingress. This tracks one of the three rings that are used by the QPI agent. This can be used in conjunction with the QPI Ingress Occupancy Accumulator event in order to calculate average queue latency. Multiple ingress buffers can be tracked at a given time using multiple counters.



Table 2-206. Unit Masks for RxR_INSERTS

Extension	umask [15:8]	Description
HOM	bxxxxxx1	HOM HOM Ingress Queue
SNP	bxxxxx1x	SNP SNP Ingress Queue
NDR	bxxxx1xx	NDR NDR Ingress Queue
DRS	bxxxx1xxx	DRS DRS Ingress Queue
NCB	bxxx1xxxx	NCB NCB Ingress Queue
NCS	bxx1xxxxx	NCS NCS Ingress Queue

RxR_OCCUPANCY

- **Title:** Ingress Occupancy Accumulator
- **Category:** INGRESS Events
- **Event Code:** 0x13
- Max. Inc/Cyc: . 32, **Register Restrictions:** 0
- **Definition:** Accumulates the occupancy of a given QPI Ingress queue in each cycles. This tracks one of the three ring Ingress buffers. This can be used with the QPI Ingress Not Empty event to calculate average occupancy or the QPI Ingress Allocations event in order to calculate average queuing latency.

Table 2-207. Unit Masks for RxR_OCCUPANCY

Extension	umask [15:8]	Description
HOM	b00000001	HOM HOM Ingress Queue
SNP	b00000010	SNP SNP Ingress Queue
NDR	b00000100	NDR NDR Ingress Queue
DRS	b00001000	DRS DRS Ingress Queue
NCB	b00010000	NCB NCB Ingress Queue
NCS	b00100000	NCS NCS Ingress Queue

TxR_CYCLES_FULL

- **Title:** Egress Cycles Full
- **Category:** EGRESS Events
- **Event Code:** 0x25
- Max. Inc/Cyc: . 1, **Register Restrictions:** 0-1
- **Definition:** Counts the number of cycles when the R2PC1e Egress buffer is full.



TxR_CYCLES_NE

- **Title:** Egress Cycles Not Empty
- **Category:** EGRESS Events
- **Event Code:** 0x23
- Max. Inc/Cyc.: 1, **Register Restrictions:** 0-1
- **Definition:** Counts the number of cycles when the QPI Egress is not empty. This tracks one of the three rings that are used by the QPI agent. This can be used in conjunction with the QPI Egress Occupancy Accumulator event in order to calculate average queue occupancy. Only a single Egress queue can be tracked at any given time. It is not possible to filter based on direction or polarity.

TxR_NACK_CCW

- **Title:** Egress NACK
- **Category:** EGRESS Events
- **Event Code:** 0x28
- Max. Inc/Cyc.: 1, **Register Restrictions:** 0-1
- **Definition:**

Table 2-208. Unit Masks for TxR_NACK_CCW

Extension	umask [15:8]	Description
AD	bxxxxxxx1	AK CCW BL CounterClockwise Egress Queue
AK	bxxxxxx1x	BL CW AD Clockwise Egress Queue
BL	bxxxxx1xx	BL CCW AD CounterClockwise Egress Queue

TxR_NACK_CW

- **Title:** Egress NACK
- **Category:** EGRESS Events
- **Event Code:** 0x26
- Max. Inc/Cyc.: 1, **Register Restrictions:** 0-1
- **Definition:**

Table 2-209. Unit Masks for TxR_NACK_CW

Extension	umask [15:8]	Description
AD	bxxxxxxx1	AD CW AD Clockwise Egress Queue
AK	bxxxxxx1x	AD CCW AD CounterClockwise Egress Queue
BL	bxxxxx1xx	AK CW BL Clockwise Egress Queue

VNO_CREDITS_REJECT

- **Title:** VNO Credit Acquisition Failed on DRS
- **Category:** LINK_VNO_CREDITS Events
- **Event Code:** 0x37
- Max. Inc/Cyc.: 1, **Register Restrictions:** 0-1



- **Definition:** Number of times a request failed to acquire a DRS VNO credit. In order for a request to be transferred across QPI, it must be guaranteed to have a flit buffer on the remote socket to sink into. There are two credit pools, VNA and VNO. VNA is a shared pool used to achieve high performance. The VNO pool has reserved entries for each message class and is used to prevent deadlock. Requests first attempt to acquire a VNA credit, and then fall back to VNO if they fail. This therefore counts the number of times when a request failed to acquire either a VNA or VNO credit and is delayed. This should generally be a rare situation.

Table 2-210. Unit Masks for VNO_CREDITS_REJECT

Extension	umask [15:8]	Description
HOM	bxxxxxx1	HOM Message Class Filter for the Home (HOM) message class. HOM is generally used to send requests, request responses, and snoop responses.
SNP	bxxxxxx1x	SNP Message Class Filter for Snoop (SNP) message class. SNP is used for outgoing snoops. Note that snoop responses flow on the HOM message class.
NDR	bxxxx1xx	NDR Message Class NDR packets are used to transmit a variety of protocol flits including grants and completions (CMP).
DRS	bxxxx1xxx	DRS Message Class Filter for Data Response (DRS). DRS is generally used to transmit data with coherency. For example, remote reads and writes, or cache to cache transfers will transmit their data using DRS.
NCB	bxxx1xxxx	NCB Message Class Filter for Non-Coherent Broadcast (NCB). NCB is generally used to transmit data without coherency. For example, non-coherent read data returns.
NCS	bxx1xxxxx	NCS Message Class Filter for Non-Coherent Standard (NCS). NCS is commonly used for

VNO_CREDITS_USED

- **Title:** VNO Credit Used
- **Category:** LINK_VNO_CREDITS Events
- **Event Code:** 0x36
- Max. Inc/Cyc: 1, **Register Restrictions:** 0-1
- **Definition:** Number of times a VNO credit was used on the DRS message channel. In order for a request to be transferred across QPI, it must be guaranteed to have a flit buffer on the remote socket to sink into. There are two credit pools, VNA and VNO. VNA is a shared pool used to achieve high performance. The VNO pool has reserved entries for each message class and is used to prevent deadlock. Requests first attempt to acquire a VNA credit, and then fall back to VNO if they fail. This counts the number of times a VNO credit was used. Note that a single VNO credit holds access to potentially multiple flit buffers. For example, a transfer that uses VNA could use 9 flit buffers and in that case uses 9 credits. A transfer on VNO will only count a single credit even though it may use multiple buffers.

Table 2-211. Unit Masks for VNO_CREDITS_USED

Extension	umask [15:8]	Description
HOM	bxxxxxx1	HOM Message Class Filter for the Home (HOM) message class. HOM is generally used to send requests, request responses, and snoop responses.
SNP	bxxxxxx1x	SNP Message Class Filter for Snoop (SNP) message class. SNP is used for outgoing snoops. Note that snoop responses flow on the HOM message class.
NDR	bxxxx1xx	NDR Message Class NDR packets are used to transmit a variety of protocol flits including grants and completions (CMP).



Table 2-211. Unit Masks for VNO_CREDITS_USED

Extension	umask [15:8]	Description
DRS	bxxxx1xxx	DRS Message Class Filter for Data Response (DRS). DRS is generally used to transmit data with coherency. For example, remote reads and writes, or cache to cache transfers will transmit their data using DRS.
NCB	bxxx1xxxx	NCB Message Class Filter for Non-Coherent Broadcast (NCB). NCB is generally used to transmit data without coherency. For example, non-coherent read data returns.
NCS	bxx1xxxxx	NCS Message Class Filter for Non-Coherent Standard (NCS). NCS is commonly used for

VN1_CREDITS_REJECT

- **Title:** VN1 Credit Acquisition Failed on DRS
- **Category:** LINK_VN1_CREDITS Events
- **Event Code:** 0x39
- Max. Inc/Cyc.: 1, **Register Restrictions:** 0-1
- **Definition:** Number of times a request failed to acquire a VN1 credit. In order for a request to be transferred across QPI, it must be guaranteed to have a flit buffer on the remote socket to sink into. There are two credit pools, VNA and VN1. VNA is a shared pool used to achieve high performance. The VN1 pool has reserved entries for each message class and is used to prevent deadlock. Requests first attempt to acquire a VNA credit, and then fall back to VN1 if they fail. This therefore counts the number of times when a request failed to acquire either a VNA or VN1 credit and is delayed. This should generally be a rare situation.

Table 2-212. Unit Masks for VN1_CREDITS_REJECT

Extension	umask [15:8]	Description
HOM	bxxxxxxx1	HOM Message Class Filter for the Home (HOM) message class. HOM is generally used to send requests, request responses, and snoop responses.
SNP	bxxxxxx1x	SNP Message Class Filter for Snoop (SNP) message class. SNP is used for outgoing snoops. Note that snoop responses flow on the HOM message class.
NDR	bxxxxx1xx	NDR Message Class NDR packets are used to transmit a variety of protocol flits including grants and completions (CMP).
DRS	bxxxx1xxx	DRS Message Class Filter for Data Response (DRS). DRS is generally used to transmit data with coherency. For example, remote reads and writes, or cache to cache transfers will transmit their data using DRS.
NCB	bxxx1xxxx	NCB Message Class Filter for Non-Coherent Broadcast (NCB). NCB is generally used to transmit data without coherency. For example, non-coherent read data returns.
NCS	bxx1xxxxx	NCS Message Class Filter for Non-Coherent Standard (NCS). NCS is commonly used for



VN1_CREDITS_USED

- **Title:** VN1 Credit Used
- **Category:** LINK_VN1_CREDITS Events
- **Event Code:** 0x38
- Max. Inc/Cyc: . 1, **Register Restrictions:** 0-1
- **Definition:** Number of times a VN1 credit was used on the DRS message channel. In order for a request to be transferred across QPI, it must be guaranteed to have a flit buffer on the remote socket to sink into. There are two credit pools, VNA and VN1. VNA is a shared pool used to achieve high performance. The VN1 pool has reserved entries for each message class and is used to prevent deadlock. Requests first attempt to acquire a VNA credit, and then fall back to VN1 if they fail. This counts the number of times a VN1 credit was used. Note that a single VN1 credit holds access to potentially multiple flit buffers. For example, a transfer that uses VNA could use 9 flit buffers and in that case uses 9 credits. A transfer on VN1 will only count a single credit even though it may use multiple buffers.

Table 2-213. Unit Masks for VN1_CREDITS_USED

Extension	umask [15:8]	Description
HOM	bxxxxxx1	HOM Message Class Filter for the Home (HOM) message class. HOM is generally used to send requests, request responses, and snoop responses.
SNP	bxxxxx1x	SNP Message Class Filter for Snoop (SNP) message class. SNP is used for outgoing snoops. Note that snoop responses flow on the HOM message class.
NDR	bxxxx1xx	NDR Message Class NDR packets are used to transmit a variety of protocol flits including grants and completions (CMP).
DRS	bxxxx1xxx	DRS Message Class Filter for Data Response (DRS). DRS is generally used to transmit data with coherency. For example, remote reads and writes, or cache to cache transfers will transmit their data using DRS.
NCB	bxxx1xxxx	NCB Message Class Filter for Non-Coherent Broadcast (NCB). NCB is generally used to transmit data without coherency. For example, non-coherent read data returns.
NCS	bxx1xxxxx	NCS Message Class Filter for Non-Coherent Standard (NCS). NCS is commonly used for

VNA_CREDITS_ACQUIRED

- **Title:** VNA credit Acquisitions
- **Category:** LINK_VNA_CREDITS Events
- **Event Code:** 0x33
- Max. Inc/Cyc: . 4, **Register Restrictions:** 0-1
- **Definition:** Number of QPI VNA Credit acquisitions. This event can be used in conjunction with the VNA In-Use Accumulator to calculate the average lifetime of a credit holder. VNA credits are used by all message classes in order to communicate across QPI. If a packet is unable to acquire credits, it will then attempt to use credits from the VNO pool. Note that a single packet may require multiple flit buffers (i.e. when data is being transferred). Therefore, this event will increment by the number of credits acquired in each cycle. Filtering based on message class is not provided. One can count the number of packets transferred in a given message class using an qfclk event.



Table 2-214. Unit Masks for VNA_CREDITS_ACQUIRED

Extension	umask [15:8]	Description
AD	bxxxxxx1	HOM Message Class Filter for the Home (HOM) message class. HOM is generally used to send requests, request responses, and snoop responses.
BL	bxxxx1xx	HOM Message Class Filter for the Home (HOM) message class. HOM is generally used to send requests, request responses, and snoop responses.

VNA_CREDITS_REJECT

- **Title:** VNA Credit Reject
- **Category:** LINK_VNA_CREDITS Events
- **Event Code:** 0x34
- Max. Inc/Cyc.: 1, **Register Restrictions:** 0-1
- **Definition:** Number of attempted VNA credit acquisitions that were rejected because the VNA credit pool was full (or almost full). It is possible to filter this event by message class. Some packets use more than one flit buffer, and therefore must acquire multiple credits. Therefore, one could get a reject even if the VNA credits were not fully used up. The VNA pool is generally used to provide the bulk of the QPI bandwidth (as opposed to the VNO pool which is used to guarantee forward progress). VNA credits can run out if the flit buffer on the receiving side starts to queue up substantially. This can happen if the rest of the uncore is unable to drain the requests fast enough.

Table 2-215. Unit Masks for VNA_CREDITS_REJECT

Extension	umask [15:8]	Description
HOM	bxxxxxx1	HOM Message Class Filter for the Home (HOM) message class. HOM is generally used to send requests, request responses, and snoop responses.
SNP	bxxxxx1x	SNP Message Class Filter for Snoop (SNP) message class. SNP is used for outgoing snoops. Note that snoop responses flow on the HOM message class.
NDR	bxxxx1xx	NDR Message Class NDR packets are used to transmit a variety of protocol flits including grants and completions (CMP).
DRS	bxxxx1xxx	DRS Message Class Filter for Data Response (DRS). DRS is generally used to transmit data with coherency. For example, remote reads and writes, or cache to cache transfers will transmit their data using DRS.
NCB	bxxx1xxxx	NCB Message Class Filter for Non-Coherent Broadcast (NCB). NCB is generally used to transmit data without coherency. For example, non-coherent read data returns.
NCS	bxx1xxxxx	NCS Message Class Filter for Non-Coherent Standard (NCS).

VNA_CREDIT_CYCLES_OUT

- **Title:** Cycles with no VNA credits available
- **Category:** LINK_VNA_CREDITS Events
- **Event Code:** 0x31
- Max. Inc/Cyc.: 1, **Register Restrictions:** 0-1
- **Definition:** Number of QPI uclk cycles when the transmitted has no VNA credits available and therefore cannot send any requests on this channel. Note that this does not mean that no flits can



be transmitted, as those holding VNO credits will still (potentially) be able to transmit. Generally it is the goal of the uncore that VNA credits should not run out, as this can substantially throttle back useful QPI bandwidth.

VNA_CREDIT_CYCLES_USED

- **Title:** Cycles with 1 or more VNA credits in use
- **Category:** LINK_VNA_CREDITS Events
- **Event Code:** 0x32
- Max. Inc/Cyc: . 1, **Register Restrictions:** 0-1
- **Definition:** Number of QPI uclk cycles with one or more VNA credits in use. This event can be used in conjunction with the VNA In-Use Accumulator to calculate the average number of used VNA credits.

2.11 PACKET MATCHING REFERENCE

In the Intel® QPI Link Layer, the performance monitoring infrastructure allows a user to filter packet traffic according to certain fields. A couple common fields, the Message Class/Opcode fields, have been summarized in the following tables.

Table 2-216. Intel® QuickPath Interconnect Packet Message Classes

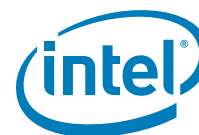
Code	Name	Definition
b0000	HOM0	Home - Requests
b0001	HOM1	Home - Responses
b0010	NDR	Non-Data Responses
b0011	SNP	Snoops
b0100	NCS	Non-Coherent Standard

b1100	NCB	Non-Coherent Bypass

b1110	DRS	Data Response

Table 2-217. Opcode Match by Message Class

Opc	HOMO	HOM1	NDR	SNP
0000	RdCur	RspI	Gnt_Cmp	SnpCur
0001	RdCode	RspS	GntE_FrcAckCnflt	SnpCode
0010	RdData	---	---	SnpData
0011	NonSnpRd	---	---	---
0100	RdInvOwn	RspCnflt	CmpD	SnpInvOwn
0101		---		<i>SnpInvWrMtol</i> (aka SnpInvXtol)
0110	EvctCln (only to xNCs)		---	---
0111	NonSnpWr	RspCnfltWbl (only from xNCs)	---	---
1000	InvItoE	RspFwd	Cmp	SnpInvItoE



Opc	HOMO	HOM1	NDR	SNP
1001	AckCnfltWbI	RspFwdI	FrcAckCnflt (only from xNCs)	---
1010	RdDataMigratory	RspFwdS	Cmp_FwdCode	SnpDataMigratory (only for xNCs)
1011	---	RspFwdIWb	Cmp_FwdInvOwn (only for xNCs)	---
1100	WbMtoI	RspFwdSWb	Cmp_FwdInvItoE	---
1101	WbMtoE	RspIWb	---	---
1110	WbMtoS (only from xNCs)	RspSWb	---	---
1111	AckCnflt	---	---	PrefetchHint
Opc	NCS	NCB	DRS	
0000	NcRd	NcWr	DataC_(FEIMS)	
0001	IntAck	WcWr	DataC_(FEIMS)_FrcAck Cnflt (only from xNCs)	
0010	---	---	DataC_(FEIMS)_Cmp	
0011	FERR	---	DataNc	
0100	NcRdPtl	---	WbIData	
0101	NcCfgRd	---	WbSData	
0110	---	---	WbEData	
0111	NcIORd	---	NonSnpWrData	
1000	---	NcMsgB	WbIDataPtl	
1001	NcCfgWr	IntLogical	---	
1010	---	IntPhysical	WbEDataPtl (only from xNCs)	
1011	NcIOWr	IntPrioUpd	NonSnpWrdataPtl	
1100	NcMsgS	NcWrPtl	---	
1101	NcP2PS	WcWrPtl	---	
1110	---	NcP2PB	---	
1111	---	---	---	

Table 2-218. Opcodes (Alphabetical Listing)

Name	Opc	MC	Gen By?	Desc
AbortTO	0101	NDR		Abort Time-out Response
AckCnflt	1111	HOMO	Co,Hi	Acknowledge receipt of Data_* and Cmp/ FrcAckCnflt, signal a possible conflict scenario.
AckCnfltWbI	1001	HOMO	Co,Hi	In addition to signaling AckCnflt, the caching agent has also written the dirty cache line data plus any partial write data back to memory in a WBiData[Ptl] message and transitioned the cache line state to I.
Cmp	1000	NDR	Uo, Ci,Co, Ho	All snoop responses gathered, no conflicts
CmpD	0100	NDR	Uo, Ci	Completion with Data



Name	Opc	MC	Gen By?	Desc
Cmp_FwdCode	1010	NDR	Ci, Ho	Complete request, forward the line in F (or S) state to the requestor specified, invalidate local copy or leave it in S state.
Cmp_FwdInvItoE	1100	NDR	Ci, Ho	Complete request, invalidate local copy
Cmp_FwdInvOwn	1011	NDR	Ci	Complete request, forward the line in E or M state to the requestor specified, invalidate local copy
DataC_(FEIMS)	0000	DRS	Ci, Co, Ho	Data Response in (FEIMS) state NOTE: Set RDS field to specify which state is to be measured. - Ivy Bridge-EP microarchitecture supports getting data in E, F, I or M state
DataC_(FEIMS)_Cmp	0010	DRS	Ci, Ho	Data Response in (FEIMS) state, Complete NOTE: Set RDS field to specify which state is to be measured. - Ivy Bridge-EP microarchitecture supports getting data in E, F or I state
DataC_(FEIMS)_FrcAckCnflt	0001	DRS	Ci, Ho	Data Response in (FEIMS) state, Force Acknowledge NOTE: Set RDS field to specify which state is to be measured. - Ivy Bridge-EP microarchitecture supports getting data in E, F or I state
DataNc	0011	DRS	Uo, Ci	Non-Coherent Data
DebugData	1111	NCB		Debug Data
EvctCln	0110	HOMO	Co	Clean cache line eviction notification to home agent.
FERR	0011	NCS	Ui, Uo, Co	Legacy floating point error indication from CPU to legacy bridge
FrcAckCnflt	1001	NDR	Co, Ho	All snoop responses gathered, force an AckCnflt
Gnt_Cmp	0000	NDR	Ci, Ho	Signal completion and Grant E state ownership without data to an InvItoE or 'null data' to an InvXtol
GntE_FrcAckCnflt	0001	NDR	Ci, Ho	Signal FrcAckCnflt and Grant E state ownership without data to an InvItoE or 'null data' to an InvXtol
IntAck	0001	NCS		Interrupt acknowledge to legacy 8259 interrupt controller
IntLogical	1001	NCB	Ui, Uo, Co	Logical mode interrupt to processor
IntPhysical	1010	NCB	Ui, Uo, Co	Physical mode interrupt to processor
IntPrioUpd	1011	NCB	Ui, Uo, Co	Interrupt priority update message to source interrupt agents.
InvItoE	1000	HOMO	Co, Hi	Invalidate to E state requests exclusive ownership of a cache line without data.
InvXtol	0101	HOMO		Flush a cache line from all caches (that is, downgrade all clean copies to I and cause any dirty copy to be written back to memory).
NcCfgRd	0101	NCS	Ui, Co	Configuration read from configuration space
NcCfgWr	1001	NCS	Ui, Co	Configuration write to configuration space
NcIORd	0111	NCS	Ui, Co	Read from legacy I/O space
NcIOWr	1011	NCS	Ui, Co	Write to legacy I/O space
NcMsgB	1000	NCB	Ui, Uo, Co	Non-coherent Message (non-coherent bypass channel)
NcMsgS	1100	NCS	Ui, Uo, Co	Non-coherent Message (Non-coherent standard channel)



Name	Opc	MC	Gen By?	Desc
NcP2PB	1110	NCB	Ui,Uoi	Peer-to-peer transaction between I/O entities (non-coherent bypass channel)
NcP2PS	1101	NCS		Peer-to-peer transaction between I/O entities. (Non-coherent standard channel)
NcRd	0000	NCS	Co	Read from non-coherent memory mapped I/O space
NcRdPtl	0100	NCS	Co	Partial read from non-coherent memory mapped I/O space
NcWr	0000	NCB	Co	Write to non-coherent memory mapped I/O space
NcWrPtl	1100	NCB	Co	Partial write to non-coherent memory mapped I/O space
NonSnpRd	0011	HOM0	Co,Hi	Non-Snoop (uncached) read
NonSnpWr	0111	HOM0	Co,Hi	Non-Snoop (uncached) write
NonSnpWrData	0111	DRS	Co,Hi, Ho	Non cache coherent write data
NonSnpWrDataPtl	1011	DRS	Co,Hi, Ho	Partial (byte-masked) non cache coherent write data
PrefetchHint	1111	SNP	Ci,Co	Snoop Prefetch Hint
RspCnflt	0100	HOM1	Co,Hi, Ho	Peer is left with line in I or S state, and the peer has a conflicting outstanding request.
RspCnfltOwn	0110	HOM1		Peer has a buried M copy for this line with an outstanding conflicting request.
RspCnfltWbl	0111	HOM1	Hi,Ho	Peer has a buried M copy for this line with an outstanding conflicting request. Peer must write back data to home, invalidate line and mark itself that buried HitM data was sent.
RdCode	0001	HOM0	Co,Hi	Read cache line in F (or S, if the F state not supported)
RdCur	0000	HOM0	Co,Hi	Request a cache line in I. Typically issued by I/O proxy entities, RdCur is used to obtain a coherent snapshot of an uncached line.
RdData	0010	HOM0	Co,Hi	Read cache line in either E or F (or S, if F state not supported). The choice between F (or S) and E is determined by whether or not per caching agent has cache line in S state.
RdDataMigratory	1010	HOM0	Co,Hi	Same as RdData, except that peer cache can forward requested cache line in M state without any writeback to memory.
RdInvOwn	0100	HOM0	Co,Hi	Read Invalidate Own requests a cache line in M or E state. M or E is determined by whether requester is forwarded an M copy by a peer caching agent or sent an E copy by home agent.
RspFwd	1000	HOM1	Co,Hi, Ho	Peer has sent data to requestor with no change in cache state
RspFwdI	1001	HOM1	Co,Hi, Ho	Peer has sent data to requestor and is left with line in I state
RspFwdIWb	1011	HOM1	Hi,Ho	Peer has sent data to requestor and a WbIData to the home, and is left with line in I state
RspFwdS	1010	HOM1	Co,Hi, Ho	Peer has sent data to requestor and is left with line in S state
RspFwdSWb	1100	HOM1	Hi,Ho	Peer has sent data to requestor and a WbSData to the home, and is left with line in S state
Rspl	0000	HOM1	Co,Hi, Ho	Peer left with line in I-state



Name	Opc	MC	Gen By?	Desc
RspIWb	1101	HOM1	Co,Hi, Ho	Peer has evicted the data with an in-flight WbIData[Ptl] message to the home and has not sent any message to the requestor.
RspS	0001	HOM1	Co, Hi, Ho	Peer left with line in S-state
RspSWb	1110	HOM1	Co,Hi, Ho	Peer has sent a WbSData message to the home, has not sent any message to the requestor and is left with line in S-state
SnpCode	0001	SNP	Ci, Co, Ho	Snoop Code (get data in F or S state) - Ivy Bridge-EP microarchitecture supports getting data in F state
SnpCur	0000	SNP	Ci, Co, Ho	Snoop to get data in I state
SnpData	0010	SNP	Ci, Co, Ho	Snoop Data (get data in E, F or S state) - Ivy Bridge-EP microarchitecture supports getting data in E or F state
SnpDataMigratory	1110	SNP	Ci, Co, Ho	Snoop to get data in M or E or F state
SnpInvItoE	1000	SNP	Ci, Co, Ho	Snoop Invalidate to E state. To invalidate peer caching agent, flushing any M state data to home
SnpInvOwn	0100	SNP	Ci, Co, Ho	Snoop Invalidate Own (get data in E or M state) - Ivy Bridge-EP microarchitecture supports getting data in E state
SnpInvXtol	0101	SNP		Snoop Invalidate Writeback M to I state. To invalidate peer caching agent, flushing any M state data to home.
WbEData	0110	DRS	Hi	Writeback data, downgrade to E state
WbEDataPtl	1010	DRS	Hi	Partial (byte-masked) writeback data, downgrade to E state
WbIData	0100	DRS	Co,Hi	Writeback data, downgrade to I state
WbIDataPtl	1000	DRS	Co,Hi	Partial (byte-masked) writeback data, downgrade to I state
WbMtoI	1100	HOM0	Co,Hi	Write a cache line in M state back to memory and transition its state to I.
WbMtoE	1101	HOM0	Co,Hi	Write a cache line in M state back to memory and transition its state to E.
WbMtoS	1110	HOM0	Hi	Write a cache line in M state back to memory and transition its state to S.
WbSData	0101	DRS	Co,Hi	Writeback data, downgrade to S state
WcWr	0001	NCB	Co	Write combinable write to non-coherent memory mapped I/O space
WcWrPtl	1101	NCB	Co	Partial write combinable write to non-coherent memory mapped I/O space