

Intel® Architecture Instruction Set Extensions and Future Features Programming Reference

319433-039
JUNE 2020

Intel technologies features and benefits depend on system configuration and may require enabled hardware, software, or service activation. Learn more at intel.com, or from the OEM or retailer.

No computer system can be absolutely secure. Intel does not assume any liability for lost or stolen data or systems or any damages resulting from such losses.

You may not use or facilitate the use of this document in connection with any infringement or other legal analysis concerning Intel products described herein. You agree to grant Intel a non-exclusive, royalty-free license to any patent claim thereafter drafted which includes subject matter disclosed herein.

No license (express or implied, by estoppel or otherwise) to any intellectual property rights is granted by this document.

The products described may contain design defects or errors known as errata which may cause the product to deviate from published specifications. Current characterized errata are available on request.

This document contains information on products, services and/or processes in development. All information provided here is subject to change without notice. Intel does not guarantee the availability of these interfaces in any future product. Contact your Intel representative to obtain the latest Intel product specifications and roadmaps.

Copies of documents which have an order number and are referenced in this document, or other Intel literature, may be obtained by calling 1-800-548-4725, or by visiting <http://www.intel.com/design/literature.htm>.

Intel, the Intel logo, Intel Deep Learning Boost, Intel DL Boost, Intel Atom, Intel Core, Intel SpeedStep, MMX, Pentium, VTune, Xeon Phi, and Xeon are trademarks of Intel Corporation in the U.S. and/or other countries.

*Other names and brands may be claimed as the property of others.

Copyright © 1997-2020, Intel Corporation. All Rights Reserved.

Revision History

Revision	Description	Date
-025	<ul style="list-style-type: none"> Removed instructions that now reside in the Intel® 64 and IA-32 Architectures Software Developer's Manual. Minor updates to chapter 1. Updates to Table 2-1, Table 2-2 and Table 2-8 (leaf 07H) to indicate support for AVX512_4VNNIW and AVX512_4FMAPS. Minor update to Table 2-8 (leaf 15H) regarding ECX definition. Minor updates to Section 4.6.2 and Section 4.6.3 to clarify the effects of "suppress all exceptions". Footnote addition to CLWB instruction indicating operand encoding requirement. Removed PCOMMIT. 	September 2016
-026	<ul style="list-style-type: none"> Removed CLWB instruction; it now resides in the Intel® 64 and IA-32 Architectures Software Developer's Manual. Added additional 512-bit instruction extensions in chapter 6. 	October 2016
-027	<ul style="list-style-type: none"> Added TLB CPUID leaf in chapter 2. Added VPOPCNTD/Q instruction in chapter 6, and CPUID details in chapter 2. 	December 2016
-028	<ul style="list-style-type: none"> Updated intrinsics for VPOPCNTD/Q instruction in chapter 6. 	December 2016
-029	<ul style="list-style-type: none"> Corrected typo in CPUID leaf 18H. Updated operand encoding table format; extracted tuple information from operand encoding. Added VPERMB back into chapter 5; inadvertently removed. Moved all instructions from chapter 6 to chapter 5. Updated operation section of VPMULTISHIFTQB. 	April 2017
-030	<ul style="list-style-type: none"> Removed unnecessary information from document (chapters 2, 3 and 4). Added table listing recent instruction set extensions introduction in Intel 64 and IA-32 Processors. Updated CPUID instruction with additional details. Added the following instructions: GF2P8AFFINEINVQB, GF2P8AFFINEQB, GF2P8MULB, VAESDEC, VAESDECLAST, VAESENC, VAESENCLAST, VPCLMULQDQ, VPCOMPRESS, VPDPBUSD, VPDPBUSDS, VPDPWSSD, VPDPWSSDS, VPEXPAND, VPOPCNT, VPSHLD, VPSHLDV, VPSHRD, VPSHRDV, VPSHUFBITQMB. Removed the following instructions: VPMADD52HUQ, VPMADD52LUQ, VPERMB, VPERMI2B, VPERMT2B, and VPMULTISHIFTQB. They can be found in the Intel® 64 and IA-32 Architectures Software Developer's Manual, Volumes 2A, 2B, 2C & 2D. Moved instructions unique to processors based on the Knights Mill microarchitecture to chapter 3. Added chapter 4: EPT-Based Sub-Page Permissions. Added chapter 5: Intel® Processor Trace: VMX Improvements. 	October 2017

Revision	Description	Date
-031	<ul style="list-style-type: none"> • Updated change log to correct typo in changes from previous release. • Updated instructions with imm8 operand missing in operand encoding table. • Replaced "VLMAX" with "MAXVL" to align terminology used across documentation. • Added back information on detection of Intel AVX-512 instructions. • Added Intel® Memory Encryption Technologies instructions PCONFIG and WBNOINVD. These instructions are also added to Table 1-1 "Recent Instruction Set Extensions Introduction in Intel 64 and IA-32 Processors". Added Section 1.5 "Detection of Intel® Memory Encryption Technologies (Intel® MKTME) Instructions". • CPUID instruction updated with PCONFIG and WBNOINVD details. • CPUID instruction updated with additional details on leaf 07H: Intel® Xeon Phi™ only features identified and listed. • CPUID instruction updated with new Intel® SGX features in leaf 12H. • CPUID instruction updated with new PCONFIG information sub-leaf 1BH. • Updated short descriptions in the following instructions: VPDPBUSD, VPDPBUSDS, VPDPWSSD and VPDPWSSDS. • Corrections and clarifications in Chapter 4 "EPT-Based Sub-Page Permissions". • Corrections and clarifications in Chapter 5 "Intel® Processor Trace: VMX Improvements". 	January 2018
-032	<ul style="list-style-type: none"> • Corrected PCONFIG CPUID feature flag on instruction page. • Minor updates to PCONFIG instruction pages: Changed Table 2-2 to use Hex notation; changed "RSVD, MBZ" to "Reserved, must be zero" in two places in Table 2-3. • Minor typo correction in WBNOINVD instruction description. 	January 2018
-033	<ul style="list-style-type: none"> • Updated Table 1-2 "Recent Instruction Set Extensions / Features Introduction in Intel® 64 and IA-32 Processors" . • Added Section 1.4, "Detection of Future Instructions and Features". • Added CLDEMOTE, MOVDIRI, MOVDIR64B, TPAUSE, UMONITOR and UMWAIT instructions. • Updated the CPUID instruction with details on new instructions/features added, as well as new power management details and information on hardware feedback interface ISA extensions. • Corrections to PCONFIG instruction. • Moved instructions unique to processors based on the Knights Mill microarchitecture to the Intel® 64 and IA-32 Architectures Software Developer's Manual. • Added Chapter 5 "Hardware Feedback Interface ISA Extensions". • Added Chapter 6 "AC Split Lock Detection". 	March 2018
-034	<ul style="list-style-type: none"> • Added clarification to leaf 07H in the CPUID instruction. • Added MSR index for IA32_UMWAIT_CONTROL MSR. • Updated registers in TPAUSE and UMWAIT instructions. • Updated TPAUSE and UMWAIT intrinsics. 	May 2018

Revision	Description	Date
-035	<ul style="list-style-type: none"> • Updated Table 1-2 “Recent Instruction Set Extensions / Features Introduction in Intel® 64 and IA-32 Processors” to list the AVX512_VNNI instruction set architecture on a separate line due to presence on future processors available sooner than previously listed. • Updated CPUID instruction in various places. • Removal of NDD/DDS/NDS terms from instructions. Note: Previously, the terms NDS, NDD and DDS were used in instructions with an EVEX (or VEX) prefix. These terms indicated that the vvvv field was valid for encoding, and specified register usage. These terms are no longer necessary and are redundant with the instruction operand encoding tables provided with each instruction. The instruction operand encoding tables give explicit details on all operands, indicating where every operand is stored and if they are read or written. If vvvv is not listed as an operand in the instruction operand encoding table, then EVEX (or VEX) vvvv must be 0b1111. • Added additional #GP exception condition to TPAUSE and UMWAIT. • Updated Chapter 5 “Hardware Feedback Interface ISA Extensions” as follows: changed scheduler/software to operating system or OS, changed LP0 Scheduler Feedback to LP0 Capability Values, various description updates, clarified that capability updates are independent, and added an update to clarify that bits 0 and 1 will always be set together in Section 5.1.4. • Added IA32_CORE_CAPABILITY MSR to Chapter 6 “AC Split Lock Detection”. 	October 2018
-036	<ul style="list-style-type: none"> • Added AVX512_BF16 instructions in chapter 2; related CPUID information updated in chapter 1. • Added new section to chapter 1 describing bfloat16 format. • CPUID leaf updates to align with the Intel® 64 and IA-32 Architectures Software Developer’s Manual. • Removed CLDEMOT, TPAUSE, UMONITOR, and UMWAIT instructions; they now reside in the Intel® 64 and IA-32 Architectures Software Developer’s Manual. • Changes now marked by green change bars and green font in order to view changes at a text level. 	April 2019
-037	<ul style="list-style-type: none"> • Removed chapter 3, “EPT-Based Sub-Page Permissions”, chapter 4, “Intel® Processor Trace: VMX Improvements”, and chapter 6, “Split Lock Detection”; this information is in the Intel® 64 and IA-32 Architectures Software Developer’s Manual. • Removed MOVDIRI and MOVDIR64B instructions; they now reside in the Intel® 64 and IA-32 Architectures Software Developer’s Manual. • Updated Table 1-2 with new features in future processors. • Updated Table 1-3 with support for AVX512_VP2INTERSECT. • Updated Table 1-5 with support for ENQCMD: Enqueue Stores. • Added ENQCMD/ENQCMDS and VP2INTERSECTD/VP2INTERSECTQ instructions, and updated CPUID accordingly. • Added new chapter: Chapter 3, Enqueue Stores and Process Address Space Identifiers (PASIDs). 	May 2019

Revision	Description	Date
-038	<ul style="list-style-type: none"> • Removed instruction extensions/features from Table 1-2 "Recent Instruction Set Extensions / Features Introduction in Intel® 64 and IA-32 Processors" that are available in processors covered in the Intel® 64 and IA-32 Architectures Software Developer's Manual. This information can be found in Chapter 5 "Instruction Set Summary", of Volume 1. • In Section 1.7, "Detection of Future Instructions", removed instructions from Table 1-5 "Future Instructions" that are available in processors covered in the Intel® 64 and IA-32 Architectures Software Developer's Manual. • Removed instructions with the following CPUID feature flags: AVX512_VNNI, VAES, GFNI (AVX/AVX512), AVX512_VBMI2, VPCLMULQDQ, AVX512_BITALG; they now reside in the Intel® 64 and IA-32 Architectures Software Developer's Manual. • CPUID instruction updated with Hybrid information sub-leaf 1AH, SERIALIZE and TSXLDTRK support, updates to the L3 Cache Intel RDT Monitoring Capability Enumeration Sub-leaf, and updates to the Memory Bandwidth Allocation Enumeration Sub-leaf. • Replaced ← with := notation in operation sections of instructions. These changes are not marked with change bars. • Added the following instructions: SERIALIZE, XRESLDTRK, XSUSLDTRK. • Update to the VDPBF16PS instruction. • Updates to Chapter 4, "Hardware Feedback Interface ISA Extensions". • Added Chapter 5, "TSX Suspend Load Address Tracking". • Added Chapter 6, "Hypervisor-managed Linear Address Translation". • Added Chapter 7, "Architectural Last Branch Records (LBRs)". • Added Chapter 8, "Non-Write-Back Lock Disable Architecture". • Added Chapter 9, "Intel® Resource Director Technology Feature Updates". 	March 2020
-039	<ul style="list-style-type: none"> • Updated Section 1.1 "About this Document" to reflect chapter changes in this release. • Added Section 1.2 "DisplayFamily and DisplayModel for Future Processors". • Updated Table 1-2 "Recent Instruction Set Extensions / Features Introduction in Intel® 64 and IA-32 Processors". • CPUID instruction updated. • Removed Chapter 4 "Hardware Feedback Interface". This information is now in the Intel® 64 and IA-32 Architectures Software Developer's Manual. • Updated Figure 5-1 "Example HLAT Software Usage". • Added Table 6-5 "Encodings for 64-Bit Guest-State Fields (0010_10xx_xxxx_xxxAb)" to Chapter 6. • Added Chapter 8 "Bus Lock and VM Notify". 	June 2020

REVISION HISTORY

CHAPTER 1

FUTURE INTEL® ARCHITECTURE INSTRUCTION EXTENSIONS AND FEATURES

1.1	About This Document.....	1-1
1.2	DisplayFamily and DisplayModel for Future Processors.....	1-1
1.3	Instruction Set Extensions and Feature Introduction in Intel® 64 and IA-32 Processors.....	1-2
1.4	Detection of Future Instructions and Features.....	1-2
1.5	CPUID Instruction.....	1-3
	CPUID—CPU Identification.....	1-3
1.6	Compressed Displacement (disp8*N) Support in EVEX.....	1-43
1.7	bfloat16 Floating-Point Format.....	1-44

CHAPTER 2

INSTRUCTION SET REFERENCE, A-Z

2.1	Instruction SET Reference.....	2-1
	ENQCMD — Enqueue Command.....	2-2
	ENQCMLS — Enqueue Command Supervisor.....	2-5
	PCONFIG — Platform Configuration.....	2-7
	SERIALIZE — Serialize Instruction Execution.....	2-14
	VCVTNE2PS2BF16 — Convert Two Packed Single Data to One Packed BF16 Data.....	2-15
	VCVTNEPS2BF16 — Convert Packed Single Data to Packed BF16 Data.....	2-17
	VDPBF16PS — Dot Product of BF16 Pairs Accumulated into Packed Single Precision.....	2-19
	VP2INTERSECTD/VP2INTERSECTQ — Compute Intersection Between DWORDS/QUADWORDS to a Pair of Mask Registers.....	2-21
	WBNOINVD—Write Back and Do Not Invalidate Cache.....	2-23
	XRESLDRK — Resume Tracking Load Addresses.....	2-25
	XSUSLDRK— Suspend Tracking Load Addresses.....	2-26

CHAPTER 3

ENQUEUE STORES AND PROCESS ADDRESS SPACE IDENTIFIERS (PASIDS)

3.1	The IA32_PASID MSR.....	3-1
3.2	The PASID State Component for the XSAVE Feature Set.....	3-1
3.3	PASID Translation.....	3-2
3.3.1	PASID Translation Structures.....	3-2
3.3.2	The PASID Translation Process.....	3-3
3.3.3	VMX Support.....	3-4

CHAPTER 4

INTEL® TSX SUSPEND LOAD ADDRESS TRACKING

CHAPTER 5

HYPERVERSOR-MANAGED LINEAR ADDRESS TRANSLATION

5.1	Usage.....	5-1
5.2	VMCS Changes.....	5-2
5.3	Changes to EPT Paging-Structure Entries.....	5-2
5.3.1	Reservation of a Guest Page Type in EPT Paging Structure Entry for Future Use.....	5-3
5.4	Changes to VMX Support for Address Translation.....	5-3
5.5	Protected Linear Range.....	5-5
5.6	Hypervisor-Managed Linear Address Translation.....	5-5
5.6.1	HLAT Overview.....	5-6
5.6.2	Operation of HLAT.....	5-6
5.6.3	Format of the HLAT L5E.....	5-7
5.6.4	Format of the HLAT L4E.....	5-7
5.6.5	Format of the HLAT L3E.....	5-8
5.6.6	Format of the HLAT L2E.....	5-8
5.6.7	Format of the HLAT L1E.....	5-9

5.6.8	HLAT Faults	5-10
5.6.9	HLAT Operation	5-11
5.6.10	HLAT Interaction with IA and EPT A/D	5-12
5.6.11	Cached HLAT Derived Information	5-12
5.7	Changes to Guest Physical Accesses	5-13
5.7.1	Paging-Write Interaction with EPT A/D	5-14
5.7.2	IOMMU Interaction	5-15
5.8	Addition to EPT violation Exit Qualification	5-15
5.9	HLAT Interaction with Intel® SGX	5-15
5.10	HLAT Interaction with Nested VT-x	5-16
5.11	Changes to VM Entries	5-16
5.12	Changes to VMX Capability Reporting	5-16

CHAPTER 6 ARCHITECTURAL LAST BRANCH RECORDS (LBRs)

6.1	Behavior	6-1
6.1.1	Logged Operations	6-1
6.1.2	Configuration	6-2
6.1.2.1	Enabling and Disabling	6-2
6.1.2.2	LBR Depth	6-2
6.1.2.3	Branch Type Enabling and Filtering	6-2
6.1.2.4	Call-Stack Mode	6-3
	Call-Stack Mode and LBR Freeze	6-3
6.1.2.5	CPL Filtering	6-3
6.1.3	Record Data	6-4
6.1.3.1	IP Fields	6-4
6.1.3.2	Branch Types	6-4
6.1.3.3	Cycle Time	6-4
6.1.3.4	Mispredict Information	6-5
6.1.3.5	Intel® TSX Information	6-5
6.1.4	Interaction with Other Processor Features	6-5
6.1.4.1	SMM	6-5
	SMM Transfer Monitor (STM)	6-5
6.1.4.2	VMX	6-5
6.1.4.3	Intel® SGX	6-6
6.1.4.4	Debug Breakpoints	6-6
6.1.4.5	SMX	6-6
6.1.4.6	MWAIT	6-6
6.1.4.7	Precise Event-Based Sampling (PEBS)	6-6
6.2	MSRs	6-6
6.3	Context Switch	6-9
6.3.1	XSAVE and LBR Depth	6-10
6.3.2	INIT and MOD Tracking	6-10
6.3.3	Fast LBR Read Access	6-11
6.3.4	XRSTORS Faulting	6-11
6.4	Enumeration	6-11
6.4.1	CPUID for Architectural LBRs	6-11
6.4.2	CPUID for XSAVE LBR Support	6-12
6.4.3	Enumeration for New VMCS Fields	6-12
6.5	other Impacts	6-13
6.5.1	Branch Trace Store on Intel Atom Processors	6-13
6.5.2	IA32_DEBUGCTL	6-13
6.5.3	IA32_PERF_CAPABILITIES	6-13

CHAPTER 7 NON-WRITE-BACK LOCK DISABLE ARCHITECTURE

7.1	Enumeration	7-1
7.2	Enabling	7-1
7.3	Interaction with Intel® Software Guard Extensions (Intel® SGX)	7-2
7.4	Interaction with VMX Architecture	7-2

7.5	Expected Software Behavior	7-2
7.6	Bus Locks	7-3

CHAPTER 8 BUS LOCK AND VM NOTIFY

8.1	Bus Lock Debug Exception	8-1
8.1.1	Bus Lock VM Exit	8-1
8.2	Notify VM Exit	8-1

CHAPTER 9 INTEL® RESOURCE DIRECTOR TECHNOLOGY FEATURE UPDATES

9.1	Intel® RDT Feature Changes	9-1
9.1.1	Intel® RDT on Processors Based on Ice Lake Server Microarchitecture	9-1
9.1.2	Intel® RDT on Intel Atom® Processors Based on Tremont Microarchitecture	9-1
9.1.3	Intel® RDT in Processors Based on Sapphire Rapids Server Microarchitecture	9-1
9.2	Enumerable Memory Bandwidth Monitoring Counter Width	9-2
9.2.1	Memory Bandwidth Monitoring (MBM) Enabling	9-2
9.2.2	Augmented MBM Enumeration and MSR Interfaces for Extensible Counter Width	9-2
9.3	Second Generation Memory Bandwidth Allocation	9-2
9.3.1	MBA 2.0 Advantages	9-3
9.3.2	MBA 2.0 Software-Visible Changes	9-4
9.4	Third Generation Memory Bandwidth Allocation	9-4
9.4.1	MBA 3.0 Hardware Changes	9-4
9.4.2	MBA 3.0 Software-Visible Changes	9-5

TABLES

PAGE

1-1	CPUID Signature Values of DisplayFamily_DisplayModel.	1-1
1-2	Recent Instruction Set Extensions / Features Introduction in Intel® 64 and IA-32 Processors.	1-2
1-3	Information Returned by CPUID Instruction	1-4
1-4	Highest CPUID Source Operand for Intel 64 and IA-32 Processors	1-23
1-5	Processor Type Field.	1-24
1-6	Feature Information Returned in the ECX Register	1-26
1-7	More on Feature Information Returned in the EDX Register	1-27
1-8	Encoding of Cache and TLB Descriptors	1-29
1-9	Processor Brand String Returned with Pentium 4 Processor	1-35
1-10	Mapping of Brand Indices; and Intel 64 and IA-32 Processor Brand Strings	1-37
1-11	Compressed Displacement (DISP8*N) Affected by Embedded Broadcast	1-43
1-12	ESEX DISP8*N for Instructions Not Affected by Embedded Broadcast	1-43
2-1	PCONFIG Leaf Encodings	2-7
2-2	MKTME_KEY_PROGRAM_STRUCT Format.	2-7
2-3	Supported Key Programming Commands.	2-8
2-4	Supported Key Error Codes.	2-8
2-5	PCONFIG Operation Variables.	2-9
2-6	NaN Propagation Priorities	2-19
3-1	IA32_PASID MSR	3-1
5-1	Kernel Shadow Stack and Paging-Write Access Details.	5-3
5-2	Format of HLATP	5-6
5-3	Format of HLAT L5E	5-7
5-4	Format of HLAT L4E	5-7
5-5	Format of HLAT L3E	5-8
5-6	Format of HLAT L2E	5-8
5-7	Format of HLAT L1E	5-9
5-8	HLAT Page Size Mapping.	5-12
5-9	EPT Violation Behavior.	5-14
6-1	LBR IP Values for Various Operations.	6-2
6-2	Branch Type Filtering Details.	6-3
6-3	IA32_LBR_x_INFO and IA32_LER_INFO Branch Type Encodings.	6-4
6-4	LBR VMCS Fields.	6-5
6-5	Encodings for 64-Bit Guest-State Fields (0010_10xx_xxxx_xxxAb).	6-6
6-6	Introduction of New MSRs	6-7
6-7	LBR VMCS Fields.	6-10
6-8	CPUID Leaf 01CH Enumeration of Architectural LBR Capabilities.	6-11
6-9	CPUID Leaf 0DH.0FH Enumeration of XSAVE Support for Architectural LBRs.	6-12
7-1	IA32_CORE_CAPABILITIES MSR.	7-1
7-2	TEST_CTRL MSR.	7-2
7-3	Bus Locks from Non-WB Operation	7-3
9-1	MBA_CFG MSR Definition.	9-4

FIGURES

	PAGE
Figure 1-1. Version Information Returned by CPUID in EAX	1-24
Figure 1-2. Feature Information Returned in the ECX Register	1-25
Figure 1-3. Feature Information Returned in the EDX Register	1-27
Figure 1-4. Determination of Support for the Processor Brand String	1-35
Figure 1-5. Algorithm for Extracting Maximum Processor Frequency	1-36
Figure 1-6. Comparison of BF16 to FP16 and FP32	1-44
Figure 2-1. 64-Byte Data Written to Enqueue Registers	2-2
Figure 3-1. PASID Translation Process	3-3
Figure 5-1. Example HLAT Software Usage	5-1
Figure 5-2. HLAT High Level Representation	5-5
Figure 5-3. New Bit in the IA-32e Paging Structures Recognized During HLAT Walks	5-10
Figure 5-4. Example of Paging-Write and Verify-Paging-Write EPT Control Bits Used for Guest Paging Structures (HLAT or Ordinary Paging)	5-14
Figure 9-1. MBA 2.0 Concept Based Around a Hardware Controller	9-3

CHAPTER 1

FUTURE INTEL® ARCHITECTURE INSTRUCTION EXTENSIONS AND FEATURES

1.1 ABOUT THIS DOCUMENT

This document describes the software programming interfaces of Intel® architecture instruction extensions and features which may be included in future Intel processor generations. Intel does not guarantee the availability of these interfaces and features in any future product.

The instruction set extensions cover a diverse range of application domains and programming usages. The 512-bit SIMD vector SIMD extensions, referred to as Intel® Advanced Vector Extensions 512 (Intel® AVX-512) instructions, deliver comprehensive set of functionality and higher performance than Intel® Advanced Vector Extensions (Intel® AVX) and Intel® Advanced Vector Extensions 2 (Intel® AVX2) instructions. Intel AVX, Intel AVX2 and many Intel AVX-512 instructions are covered in *Intel® 64 and IA-32 Architectures Software Developer's Manual sets*. The reader can refer to them for basic and more background information related to various features referenced in this document.

The base of the 512-bit SIMD instruction extensions are referred to as Intel AVX-512 Foundation instructions. They include extensions of the Intel AVX and Intel AVX2 family of SIMD instructions but are encoded using a new encoding scheme with support for 512-bit vector registers, up to 32 vector registers in 64-bit mode, and conditional processing using opmask registers.

Chapter 2 is an instruction set reference, providing details on new instructions.

Chapter 3 describes ENQCMD/ENQCMLS instructions and virtualization support.

Chapter 4 describes Intel® TSX Suspend Load Address Tracking.

Chapter 5 describes Hypervisor-managed Linear Address Translation.

Chapter 6 describes architectural Last Branch Records (LBRs).

Chapter 7 describes non-write-back lock disable architecture.

Chapter 8 describes bus lock and VM notify features.

Chapter 9 describes Intel® Resource Director Technology feature updates.

1.2 DISPLAYFAMILY AND DISPLAYMODEL FOR FUTURE PROCESSORS

Table 1-1 lists the signature values of DisplayFamily and DisplayModel for future processor families discussed in this document.

Table 1-1. CPUID Signature Values of DisplayFamily_DisplayModel

DisplayFamily_DisplayModel	Processor Families/Processor Number Series
06_6AH, 06_6CH	Future processors based on Ice Lake Server microarchitecture
06_8FH	Future processors based on Sapphire Rapids Server microarchitecture

1.3 INSTRUCTION SET EXTENSIONS AND FEATURE INTRODUCTION IN INTEL® 64 AND IA-32 PROCESSORS

Recent instruction set extensions and features are listed in Table 1-2. Within these groups, most instructions and features are collected into functional subgroups.

Table 1-2. Recent Instruction Set Extensions / Features Introduction in Intel® 64 and IA-32 Processors¹

Instruction Set Architecture / Feature	Introduction
PCONFIG, WBNOINVD	Ice Lake Server
Intel® MKTME	Ice Lake Server
ENCLV	Tremont, Ice Lake Server
Direct stores: MOVDIRI, MOVDIR64B	Tremont, Tiger Lake, Sapphire Rapids
AVX512_BF16	Cooper Lake, Sapphire Rapids
CET: Control-flow Enforcement Technology ²	Tiger Lake, Sapphire Rapids
AVX512_VP2INTERSECT	Tiger Lake, Sapphire Rapids
Enqueue Stores: ENQCMD and ENQCMLS	Sapphire Rapids
CLDEMOT	Tremont, Alder Lake, Sapphire Rapids
PTWRITE	Goldmont Plus, Alder Lake, Sapphire Rapids
User Wait: TPAUSE, UMONITOR, UMWAIT	Tremont, Alder Lake, Sapphire Rapids
Architectural LBRs	Alder Lake, Sapphire Rapids
HLAT	Alder Lake, Sapphire Rapids
SERIALIZE	Alder Lake, Sapphire Rapids
Intel® TSX Suspend Load Address Tracking (TSXLDTRK)	Sapphire Rapids

NOTES:

1. Visit [Intel Ark](#) for Intel® product specifications, features and compatibility quick reference guide, and code name decoder.
2. Details on Control-flow Enforcement Technology can be found in the Intel® 64 and IA-32 Architectures Software Developer’s Manuals.

1.4 DETECTION OF FUTURE INSTRUCTIONS AND FEATURES

Future instructions and features are enumerated by a CPUID feature flag; details can be found in Table 1-3.

1.5 CPUID INSTRUCTION

CPUID—CPU Identification

Opcode	Instruction	64-Bit Mode	Compat/ Leg Mode	Description
OF A2	CPUID	Valid	Valid	Returns processor identification and feature information to the EAX, EBX, ECX, and EDX registers, as determined by input entered in EAX (in some cases, ECX as well).

Description

The ID flag (bit 21) in the EFLAGS register indicates support for the CPUID instruction. If a software procedure can set and clear this flag, the processor executing the procedure supports the CPUID instruction. This instruction operates the same in non-64-bit modes and 64-bit mode.

CPUID returns processor identification and feature information in the EAX, EBX, ECX, and EDX registers.¹ The instruction's output is dependent on the contents of the EAX register upon execution (in some cases, ECX as well). For example, the following pseudocode loads EAX with 00H and causes CPUID to return a Maximum Return Value and the Vendor Identification String in the appropriate registers:

```
MOV EAX, 00H
CPUID
```

Table 1-3 shows information returned, depending on the initial value loaded into the EAX register. Table 1-4 shows the maximum CPUID input value recognized for each family of IA-32 processors on which CPUID is implemented.

Two types of information are returned: basic and extended function information. If a value is entered for CPUID.EAX is invalid for a particular processor, the data for the highest basic information leaf is returned. For example, using the Intel Core 2 Duo E6850 processor, the following is true:

```
CPUID.EAX = 05H (* Returns MONITOR/MWAIT leaf. *)
CPUID.EAX = 0AH (* Returns Architectural Performance Monitoring leaf. *)
CPUID.EAX = 0BH (* INVALID: Returns the same information as CPUID.EAX = 0AH. *)2
CPUID.EAX = 1FH (* Returns V2 Extended Topology Enumeration leaf. *)2
CPUID.EAX = 80000008H (* Returns virtual/physical address size data. *)
CPUID.EAX = 8000000AH (* INVALID: Returns same information as CPUID.EAX = 0AH. *)
```

When CPUID returns the highest basic leaf information as a result of an invalid input EAX value, any dependence on input ECX value in the basic leaf is honored.

CPUID can be executed at any privilege level to serialize instruction execution. Serializing instruction execution guarantees that any modifications to flags, registers, and memory for previous instructions are completed before the next instruction is fetched and executed.

See also:

"Serializing Instructions" in Chapter 8, "Multiple-Processor Management," in the *Intel® 64 and IA-32 Architectures Software Developer's Manual, Volume 3A*.

"Caching Translation Information" in Chapter 4, "Paging," in the *Intel® 64 and IA-32 Architectures Software Developer's Manual, Volume 3A*.

1. On Intel 64 processors, CPUID clears the high 32 bits of the RAX/RBX/RCX/RDX registers in all modes.
2. CPUID leaf 1FH is a preferred superset to leaf 0BH. Intel recommends first checking for the existence of CPUID leaf 1FH before using leaf 0BH.

Table 1-3. Information Returned by CPUID Instruction

Initial EAX Value	Information Provided about the Processor	
<i>Basic CPUID Information</i>		
0H	EAX EBX ECX EDX	Maximum Input Value for Basic CPUID Information (see Table 1-4) "Genu" "ntel" "inel"
01H	EAX EBX ECX EDX	Version Information: Type, Family, Model, and Stepping ID (see Figure 1-1) Bits 7-0: Brand Index Bits 15-8: CLFLUSH line size (Value * 8 = cache line size in bytes) Bits 23-16: Maximum number of addressable IDs for logical processors in this physical package*. Bits 31-24: Initial APIC ID** Feature Information (see Figure 1-2 and Table 1-6) Feature Information (see Figure 1-3 and Table 1-7) NOTES: * The nearest power-of-2 integer that is not smaller than EBX[23:16] is the maximum number of unique initial APIC IDs reserved for addressing different logical processors in a physical package. **The 8-bit initial APIC ID in EBX[31:24] is replaced by the 32-bit x2APIC ID, available in Leaf 0BH and Leaf 1FH.
02H	EAX EBX ECX EDX	Cache and TLB Information (see Table 1-8) Cache and TLB Information Cache and TLB Information Cache and TLB Information
03H	EAX EBX ECX EDX	Reserved Reserved Bits 00-31 of 96 bit processor serial number. (Available in Pentium III processor only; otherwise, the value in this register is reserved.) Bits 32-63 of 96 bit processor serial number. (Available in Pentium III processor only; otherwise, the value in this register is reserved.) NOTES: Processor serial number (PSN) is not supported in the Pentium 4 processor or later. On all models, use the PSN flag (returned using CPUID) to check for PSN support before accessing the feature.
CPUID leaves > 3 < 80000000 are visible only when IA32_MISC_ENABLES.BOOT_NT4[bit 22] = 0 (default).		
<i>Deterministic Cache Parameters Leaf</i>		
04H	EAX	NOTES: Leaf 04H output depends on the initial value in ECX. See also: "INPUT EAX = 4: Returns Deterministic Cache Parameters for each level" on page 1-32. Bits 4-0: Cache Type Field 0 = Null - No more caches 1 = Data Cache 2 = Instruction Cache 3 = Unified Cache 4-31 = Reserved

Table 1-3. Information Returned by CPUID Instruction(Continued)

Initial EAX Value	Information Provided about the Processor	
		<p>Bits 7-5: Cache Level (starts at 1) Bits 8: Self Initializing cache level (does not need SW initialization) Bits 9: Fully Associative cache</p> <p>Bits 13-10: Reserved Bits 25-14: Maximum number of addressable IDs for logical processors sharing this cache*, ** Bits 31-26: Maximum number of addressable IDs for processor cores in the physical package*, ***, ****</p> <p>EBX Bits 11-00: L = System Coherency Line Size* Bits 21-12: P = Physical Line partitions* Bits 31-22: W = Ways of associativity*</p> <p>ECX Bits 31-00: S = Number of Sets*</p> <p>EDX Bit 0: WBINVD/INVD behavior on lower level caches Bit 10: Write-Back Invalidate/Invalidate 0 = WBINVD/INVD from threads sharing this cache acts upon lower level caches for threads sharing this cache 1 = WBINVD/INVD is not guaranteed to act upon lower level caches of non-originating threads sharing this cache. Bit 1: Cache Inclusiveness 0 = Cache is not inclusive of lower cache levels. 1 = Cache is inclusive of lower cache levels. Bit 2: Complex cache indexing 0 = Direct mapped cache 1 = A complex function is used to index the cache, potentially using all address bits. Bits 31-03: Reserved = 0</p> <p>NOTES: * Add one to the return value to get the result. ** The nearest power-of-2 integer that is not smaller than (1 + EAX[25:14]) is the number of unique initial APIC IDs reserved for addressing different logical processors sharing this cache. *** The nearest power-of-2 integer that is not smaller than (1 + EAX[31:26]) is the number of unique Core_IDs reserved for addressing different processor cores in a physical package. Core ID is a subset of bits of the initial APIC ID. ****The returned value is constant for valid initial values in ECX. Valid ECX values start from 0.</p>
<i>MONITOR/MWAIT Leaf</i>		
05H	EAX	<p>Bits 15-00: Smallest monitor-line size in bytes (default is processor’s monitor granularity) Bits 31-16: Reserved = 0</p> <p>EBX Bits 15-00: Largest monitor-line size in bytes (default is processor’s monitor granularity) Bits 31-16: Reserved = 0</p> <p>ECX Bit 00: Enumeration of Monitor-Mwait extensions (beyond EAX and EBX registers) supported Bit 01: Supports treating interrupts as break-event for MWAIT, even when interrupts disabled Bits 31-02: Reserved</p>

Table 1-3. Information Returned by CPUID Instruction(Continued)

Initial EAX Value	Information Provided about the Processor	
	EDX	Bits 03-00: Number of C0* sub C-states supported using MWAIT Bits 07-04: Number of C1* sub C-states supported using MWAIT Bits 11-08: Number of C2* sub C-states supported using MWAIT Bits 15-12: Number of C3* sub C-states supported using MWAIT Bits 19-16: Number of C4* sub C-states supported using MWAIT Bits 23-20: Number of C5* sub C-states supported using MWAIT Bits 27-24: Number of C6* sub C-states supported using MWAIT Bits 31-28: Number of C7* sub C-states supported using MWAIT NOTE: * The definition of C0 through C7 states for MWAIT extension are processor-specific C-states, not ACPI C-states.
<i>Thermal and Power Management Leaf</i>		
06H	EAX	Bit 00: Digital temperature sensor is supported if set Bit 01: Intel® Turbo Boost Technology Available (see description of IA32_MISC_ENABLE[38]). Bit 02: ARAT. APIC-Timer-always-running feature is supported if set. Bit 03: Reserved Bit 04: PLN. Power limit notification controls are supported if set. Bit 05: ECMD. Clock modulation duty cycle extension is supported if set. Bit 06: PTM. Package thermal management is supported if set. Bit 07: HWP. HWP base registers (IA32_PM_ENABLE[bit 0], IA32_HWP_CAPABILITIES, IA32_HWP_REQUEST, IA32_HWP_STATUS) are supported if set. Bit 08: HWP_Notification. IA32_HWP_INTERRUPT MSR is supported if set. Bit 09: HWP_Activity_Window. IA32_HWP_REQUEST[bits 41:32] is supported if set. Bit 10: HWP_Energy_Performance_Preference. IA32_HWP_REQUEST[bits 31:24] is supported if set. Bit 11: HWP_Package_Level_Request. IA32_HWP_REQUEST_PKG MSR is supported if set. Bit 12: Reserved. Bit 13: HDC. HDC base registers IA32_PKG_HDC_CTL, IA32_PM_CTL1, IA32_THREAD_STALL MSRs are supported if set. Bit 14: Intel® Turbo Boost Max Technology 3.0 available. Bit 15: HWP Capabilities. Highest Performance change is supported if set. Bit 16: HWP PECL override is supported if set. Bit 17: Flexible HWP is supported if set. Bit 18: Fast access mode for the IA32_HWP_REQUEST MSR is supported if set. Bit 19: HW_FEEDBACK. IA32_HW_FEEDBACK_PTR, IA32_HW_FEEDBACK_CONFIG, IA32_PACKAGE_THERM_STATUS bit 26 and IA32_PACKAGE_THERM_INTERRUPT bit 25 are supported if set. Bit 20: Ignoring Idle Logical Processor HWP request is supported if set. Bits 31 - 21: Reserved.
	EBX	Bits 03-00: Number of Interrupt Thresholds in Digital Thermal Sensor Bits 31-04: Reserved
	ECX	Bit 00: Hardware Coordination Feedback Capability (Presence of IA32_MPERF and IA32_APERF). The capability to provide a measure of delivered processor performance (since last reset of the counters), as a percentage of the expected processor performance when running at the TSC frequency. Bits 02-01: Reserved = 0 Bit 03: The processor supports performance-energy bias preference if CPUID.06H:ECX.SETBH[bit 3] is set and it also implies the presence of a new architectural MSR called IA32_ENERGY_PERF_BIAS (1BOH) Bits 31-04: Reserved = 0

Table 1-3. Information Returned by CPUID Instruction(Continued)

Initial EAX Value	Information Provided about the Processor
	<p>EDX</p> <p>Bits 7-0: Bitmap of supported hardware feedback interface capabilities. 0 = When set to 1, indicates support for performance capability reporting. 1 = When set to 1, indicates support for energy efficiency capability reporting. 2-7 = Reserved</p> <p>Bits 11-8: Enumerates the size of the hardware feedback interface structure in number of 4 KB pages; add one to the return value to get the result.</p> <p>Bits 31-16: Index (starting at 0) of this logical processor's row in the hardware feedback interface structure. Note that on some parts the index may be same for multiple logical processors. On some parts the indices may not be contiguous, i.e., there may be unused rows in the hardware feedback interface structure.</p> <p>NOTE: Bits 0 and 1 will always be set together.</p>
<i>Structured Extended Feature Flags Enumeration Leaf (Output depends on ECX input value)</i>	
07H	<p>NOTES: Leaf 07H main leaf (ECX = 0). If ECX contains an invalid sub-leaf index, EAX/EBX/ECX/EDX return 0.</p> <p>EAX</p> <p>Bits 31-00: Reports the maximum number sub-leaves that are supported in leaf 07H.</p> <p>EBX</p> <p>Bit 00: FSGSBASE. Supports RDFSBASE/RDGSBASE/WRFSBASE/WRGSBASE if 1. Bit 01: IA32_TSC_ADJUST MSR is supported if 1. Bit 02: SGX Bit 03: BMI1 Bit 04: HLE Bit 05: Intel® AVX2 Bit 07: SMEP. Supports Supervisor Mode Execution Protection if 1. Bit 06: Reserved Bit 08: BMI2 Bit 09: Supports Enhanced REP MOVSB/STOSB if 1. Bit 10: INVPCID Bit 11: RTM Bit 12: Supports Platform Quality of Service Monitoring (PQM) capability if 1. Bit 13: Deprecates FPU CS and FPU DS values if 1. Bit 14: Intel® Memory Protection Extensions Bit 15: Supports Platform Quality of Service Enforcement (PQE) capability if 1. Bit 16: AVX512F Bit 17: AVX512DQ Bit 18: RDSEED Bit 19: ADX Bit 20: SMAP Bit 21: AVX512_IFMA Bit 22: Reserved Bit 23: CLFLUSHOPT Bit 24: CLWB Bit 25: Intel Processor Trace Bit 26: AVX512PF (Intel® Xeon Phi™ only.) Bit 27: AVX512ER (Intel® Xeon Phi™ only.) Bit 28: AVX512CD Bit 29: SHA Bit 30: AVX512BW Bit 31: AVX512VL</p>

Table 1-3. Information Returned by CPUID Instruction(Continued)

Initial EAX Value	Information Provided about the Processor
ECX	<p>Bit 00: PREFETCHWT1 (Intel® Xeon Phi™ only.) Bit 01: AVX512_VBMI Bit 02: UMIP. Supports user-mode instruction prevention if 1. Bit 03: PKU. Supports protection keys for user-mode pages if 1. Bit 04: OSPKE. If 1, OS has set CR4.PKE to enable protection keys (and the RDPKRU/WRPKRU instructions). Bit 05: WAITPKG Bit 06: AVX512_VBMI2 Bit 07: Reserved Bit 08: GFNI Bit 09: VAES Bit 10: VPCLMULQDQ Bit 11: AVX512_VNNI Bit 12: AVX512_BITALG Bit 13: Reserved Bit 14: AVX512_VPOPCNTDQ Bits 16 -15: Reserved Bits 21-17: The value of MAWAU used by the BNDLDX and BNDSTX instructions in 64-bit mode. Bit 22: RDPID and IA32_TSC_AUX are available if 1. Bits 24 - 23: Reserved Bit 25: CLDEMOTE. Supports cache line demote if 1. Bit 26: Reserved Bit 27: MOVDIRI. Supports MOVDIRI if 1. Bit 28: MOVDIR64B. Supports MOVDIR64B if 1. Bit 29: ENQCMD: Supports Enqueue Stores if 1. Bit 30: SGX_LC. Supports SGX Launch Configuration if 1. Bit 31: PKS. Supports protection keys for supervisor-mode pages if 1.</p>
EDX	<p>Bits 01-00: Reserved Bit 02: AVX512_4VNNIW (Intel® Xeon Phi™ only.) Bit 03: AVX512_4FMAPS (Intel® Xeon Phi™ only.) Bit 04: Fast Short REP MOV Bits 07-05: Reserved Bit 08: AVX512_VP2INTERSECT Bit 09: Reserved Bit 10: MD_CLEAR supported. Bits 13-11: Reserved Bit 14: SERIALIZE Bit 15: Hybrid. If 1, the processor is identified as a hybrid part. Bit 16: TSXLDTRK. If 1, the processor supports Intel TSX suspend load address tracking. Bit 17: Reserved Bit 18: PCONFIG Bits 25-19: Reserved Bit 26: Enumerates support for indirect branch restricted speculation (IBRS) and the indirect branch predictor barrier (IBPB). Processors that set this bit support the IA32_SPEC_CTRL MSR and the IA32_PRED_CMD MSR. They allow software to set IA32_SPEC_CTRL[0] (IBRS) and IA32_PRED_CMD[0] (IBPB). Bit 27: Enumerates support for single thread indirect branch predictors (STIBP). Processors that set this bit support the IA32_SPEC_CTRL MSR. They allow software to set IA32_SPEC_CTRL[1] (STIBP). Bit 28: Reserved Bit 29: Enumerates support for the IA32_ARCH_CAPABILITIES MSR.</p>

Table 1-3. Information Returned by CPUID Instruction(Continued)

Initial EAX Value	Information Provided about the Processor	
	<p>Bit 30: Enumerates support for the IA32_CORE_CAPABILITIES MSR.</p> <p>IA32_CORE_CAPABILITIES is an architectural MSR that enumerates model-specific features. A bit being set in this MSR indicates that a model specific feature is supported; software must still consult CPUID family/model/stepping to determine the behavior of the enumerated feature as features enumerated in IA32_CORE_CAPABILITIES may have different behavior on different processor models.</p> <p>Additionally, on hybrid parts (CPUID.07H.0H:EDX[15]=1), software must consult the native model ID and core type from the Hybrid Information Enumeration Leaf.</p> <p>Bit 31: Enumerates support for Speculative Store Bypass Disable (SSBD). Processors that set this bit support the IA32_SPEC_CTRL MSR. They allow software to set IA32_SPEC_CTRL[2] (SSBD).</p> <p>NOTE:</p> <p>* If ECX contains an invalid sub-leaf index, EAX/EBX/ECX/EDX return 0. Sub-leaf index n is invalid if n exceeds the value that sub-leaf 0 returns in EAX.</p>	
<i>Structured Extended Feature Enumeration Sub-leaf (EAX = 07H, ECX = 1)</i>		
07H	<p>NOTES:</p> <p>Leaf 07H output depends on the initial value in ECX.</p> <p>If ECX contains an invalid sub leaf index, EAX/EBX/ECX/EDX return 0.</p>	<p>EAX This field reports 0 if the sub-leaf index, <i>n</i>, is invalid*. Bits 04-00: Reserved. Bit 05: AVX512_BF16. Vector Neural Network Instructions supporting BFLOAT16 inputs and conversion instructions from IEEE single precision. Bits 31-06: Reserved.</p> <p>EBX This field reports 0 if the sub-leaf index, <i>n</i>, is invalid*; otherwise it is reserved.</p> <p>ECX This field reports 0 if the sub-leaf index, <i>n</i>, is invalid*; otherwise it is reserved.</p> <p>EDX This field reports 0 if the sub-leaf index, <i>n</i>, is invalid*; otherwise it is reserved.</p>
<i>Structured Extended Feature Enumeration Sub-leaves (EAX = 07H, ECX = n, n ≥ 2)</i>		
07H	<p>NOTES:</p> <p>Leaf 07H output depends on the initial value in ECX.</p> <p>If ECX contains an invalid sub leaf index, EAX/EBX/ECX/EDX return 0.</p>	<p>EAX This field reports 0 if the sub-leaf index, <i>n</i>, is invalid*; otherwise it is reserved.</p> <p>EBX This field reports 0 if the sub-leaf index, <i>n</i>, is invalid*; otherwise it is reserved.</p> <p>ECX This field reports 0 if the sub-leaf index, <i>n</i>, is invalid*; otherwise it is reserved.</p> <p>EDX This field reports 0 if the sub-leaf index, <i>n</i>, is invalid*; otherwise it is reserved.</p>
<i>Direct Cache Access Information Leaf</i>		
09H	<p>EAX</p> <p>EBX</p> <p>ECX</p> <p>EDX</p>	<p>Value of bits [31:0] of IA32_PLATFORM_DCA_CAP MSR (address 1F8H)</p> <p>Reserved</p> <p>Reserved</p> <p>Reserved</p>

Table 1-3. Information Returned by CPUID Instruction(Continued)

Initial EAX Value	Information Provided about the Processor	
<i>Architectural Performance Monitoring Leaf</i>		
OAH	EAX	Bits 07-00: Version ID of architectural performance monitoring Bits 15- 08: Number of general-purpose performance monitoring counter per logical processor Bits 23-16: Bit width of general-purpose, performance monitoring counter Bits 31-24: Length of EBX bit vector to enumerate architectural performance monitoring events
	EBX	Bit 00: Core cycle event not available if 1 Bit 01: Instruction retired event not available if 1 Bit 02: Reference cycles event not available if 1 Bit 03: Last-level cache reference event not available if 1 Bit 04: Last-level cache misses event not available if 1 Bit 05: Branch instruction retired event not available if 1 Bit 06: Branch mispredict retired event not available if 1 Bits 31-07: Reserved = 0
	ECX	Reserved = 0
	EDX	Bits 04-00: Number of fixed-function performance counters (if Version ID > 1) Bits 12-05: Bit width of fixed-function performance counters (if Version ID > 1) Reserved = 0
<i>Extended Topology Enumeration Leaf</i>		
OBH	<p>NOTES:</p> <p><i>CPUID leaf 1FH is a preferred superset to leaf OBH. Intel recommends first checking for the existence of Leaf 1FH before using leaf OBH.</i></p> <p>Most of Leaf OBH output depends on the initial value in ECX.</p> <p>The EDX output of leaf OBH is always valid and does not vary with input value in ECX.</p> <p>Output value in ECX[7:0] always equals input value in ECX[7:0].</p> <p>For sub-leaves that returns an invalid level-type of 0 in ECX[15:8]; EAX and EBX will return 0.</p> <p>If an input value N in ECX returns the invalid level-type of 0 in ECX[15:8], other input values with ECX > N also return 0 in ECX[15:8]</p>	
	EAX	Bits 04-00: Number of bits to shift right on x2APIC ID to get a unique topology ID of the next level type*. All logical processors with the same next level ID share current level. Bits 31-05: Reserved.
	EBX	Bits 15-00: Number of logical processors at this level type. The number reflects configuration as shipped by Intel**. Bits 31-16: Reserved.
	ECX	Bits 07-00: Level number. Same value in ECX input. Bits 15-08: Level type***. Bits 31-16: Reserved.
	EDX	Bits 31-00: x2APIC ID the current logical processor. <p>NOTES:</p> <p>* Software should use this field (EAX[4:0]) to enumerate processor topology of the system.</p>

Table 1-3. Information Returned by CPUID Instruction(Continued)

Initial EAX Value	Information Provided about the Processor	
	<p>** Software must not use EBX[15:0] to enumerate processor topology of the system. This value in this field (EBX[15:0]) is only intended for display/diagnostic purposes. The actual number of logical processors available to BIOS/OS/Applications may be different from the value of EBX[15:0], depending on software and platform hardware configurations.</p> <p>*** The value of the "level type" field is not related to level numbers in any way, higher "level type" values do not mean higher levels. Level type field has the following encoding: 0: invalid 1: SMT 2: Core 3-255: Reserved</p>	
<i>Processor Extended State Enumeration Main Leaf (EAX = 0DH, ECX = 0)</i>		
0DH	<p>NOTES: Leaf 0DH main leaf (ECX = 0).</p> <p>EAX</p> <p>EBX</p> <p>ECX</p> <p>EDX</p>	<p>Bits 31-00: Reports the valid bit fields of the lower 32 bits of the XFEATURE_ENABLED_MASK register. If a bit is 0, the corresponding bit field in XCRO is reserved. Bit 00: legacy x87 Bit 01: 128-bit SSE Bit 02: 256-bit AVX Bits 04-03: MPX state Bit 07-05: AVX-512 state Bit 08: Used for IA32_XSS Bit 09: PKRU state Bits 12-10: Reserved. Bit 13: Used for IA32_XSS. Bits 15-14: Reserved. Bit 16: Used for IA32_XSS. Bits 31-17: Reserved.</p> <p>Bits 31-00: Maximum size (bytes, from the beginning of the XSAVE/XRSTOR save area) required by enabled features in XCRO. May be different than ECX if some features at the end of the XSAVE save area are not enabled.</p> <p>Bit 31-00: Maximum size (bytes, from the beginning of the XSAVE/XRSTOR save area) of the XSAVE/XRSTOR save area required by all supported features in the processor, i.e all the valid bit fields in XCRO.</p> <p>Bit 31-00: Reports the valid bit fields of the upper 32 bits of the XCRO register. If a bit is 0, the corresponding bit field in XCRO is reserved</p>
<i>Processor Extended State Enumeration Sub-leaf (EAX = 0DH, ECX = 1)</i>		
0DH	<p>EAX</p> <p>EBX</p>	<p>Bit 00: XSAVEOPT is available Bit 01: Supports XSAVEC and the compacted form of XRSTOR if set Bit 02: Supports XGETBV with ECX = 1 if set Bit 03: Supports XSAVES/XRSTORS and IA32_XSS if set Bits 31-04: Reserved</p> <p>Bits 31-00: The size in bytes of the XSAVE area containing all states enabled by XCRO IA32_XSS.</p>

Table 1-3. Information Returned by CPUID Instruction(Continued)

Initial EAX Value	Information Provided about the Processor
	<p>ECX Bits 31-00: Reports the supported bits of the lower 32 bits of the IA32_XSS MSR. IA32_XSS[n] can be set to 1 only if ECX[n] is 1. Bits 07-00: Used for XCRO Bit 08: PT state Bit 09: Used for XCRO Bit 10: Reserved. Bit 11: CET user state. Bit 12: CET supervisor state. Bit 13: HDC state. Bits 15-14: Reserved. Bit 16: HWP state. Bits 31-17: Reserved.</p> <p>EDX Bits 31-00: Reports the supported bits of the upper 32 bits of the IA32_XSS MSR. IA32_XSS[n+32] can be set to 1 only if EDX[n] is 1. Bits 31-00: Reserved</p>
<i>Processor Extended State Enumeration Sub-leaves (EAX = 0DH, ECX = n, n > 1)</i>	
0DH	<p>NOTES: Leaf 0DH output depends on the initial value in ECX. Each sub-leaf index (starting at position 2) is supported if it corresponds to a supported bit in either the XCRO register or the IA32_XSS MSR. * If ECX contains an invalid sub-leaf index, EAX/EBX/ECX/EDX return 0. Sub-leaf n (0 ≤ n ≤ 31) is invalid if sub-leaf 0 returns 0 in EAX[n] and sub-leaf 1 returns 0 in ECX[n]. Sub-leaf n (32 ≤ n ≤ 63) is invalid if sub-leaf 0 returns 0 in EDX[n-32] and sub-leaf 1 returns 0 in EDX[n-32].</p> <p>EAX Bits 31-00: The size in bytes (from the offset specified in EBX) of the save area for an extended state feature associated with a valid sub-leaf index, n. This field reports 0 if the sub-leaf index, n, is invalid*.</p> <p>EBX Bits 31-00: The offset in bytes of this extended state component’s save area from the beginning of the XSAVE/XRSTOR area. This field reports 0 if the sub-leaf index, n, does not map to a valid bit in the XCRO register*.</p> <p>ECX Bit 0 is set if the bit n (corresponding to the sub-leaf index) is supported in the IA32_XSS MSR; it is clear if bit n is instead supported in XCRO. Bit 1 is set if, when the compacted format of an XSAVE area is used, this extended state component located on the next 64-byte boundary following the preceding state component (otherwise, it is located immediately following the preceding state component). Bits 31-02 are reserved. This field reports 0 if the sub-leaf index, n, is invalid*.</p> <p>EDX This field reports 0 if the sub-leaf index, n, is invalid*; otherwise it is reserved.</p>
<i>Intel Resource Director Technology (Intel RDT) Monitoring Enumeration Sub-leaf (EAX = 0FH, ECX = 0)</i>	
0FH	<p>NOTES: Leaf 0FH output depends on the initial value in ECX. Sub-leaf index 0 reports valid resource type starting at bit position 1 of EDX.</p> <p>EAX Reserved.</p> <p>EBX Bits 31-0: Maximum range (zero-based) of RMID within this physical processor of all types.</p> <p>ECX Reserved.</p> <p>EDX Bit 00: Reserved. Bit 01: Supports L3 Cache Intel RDT Monitoring if 1. Bits 31-02: Reserved</p>

Table 1-3. Information Returned by CPUID Instruction(Continued)

Initial EAX Value	Information Provided about the Processor	
<i>L3 Cache Intel RDT Monitoring Capability Enumeration Sub-leaf (EAX = 0FH, ECX = 1)</i>		
0FH	<p>NOTES: Leaf 0FH output depends on the initial value in ECX.</p> <p>EAX No bits set: 24-bit counters. Bits 07 - 00: Encode counter width offset from 24b: 0x0 = 24-bit counters. 0x1 = 25-bit counters. 0x25 = 61-bit counters. Bit 08: Indicates that bit 61 in IA32_QM_CTR MSR is an overflow bit. Bits 31 - 09: Reserved.</p> <p>EBX Bits 31-00: Conversion factor from reported IA32_QM_CTR value to occupancy metric (bytes) and Memory Bandwidth Monitoring (MBM) metrics.</p> <p>ECX Maximum range (zero-based) of RMID of this resource type.</p> <p>EDX Bit 00: Supports L3 occupancy monitoring if 1. Bit 01: Supports L3 Total Bandwidth monitoring if 1. Bit 02: Supports L3 Local Bandwidth monitoring if 1. Bits 31-03: Reserved</p>	
<i>Intel Resource Director Technology (Intel RDT) Allocation Enumeration Sub-leaf (EAX = 10H, ECX = 0)</i>		
10H	<p>NOTES: Leaf 10H output depends on the initial value in ECX. Sub-leaf index 0 reports valid resource identification (ResID) starting at bit position 1 of EBX.</p> <p>EAX Reserved.</p> <p>EBX Bit 00: Reserved. Bit 01: Supports L3 Cache Allocation Technology if 1. Bit 02: Supports L2 Cache Allocation Technology if 1. Bit 03: Supports Memory Bandwidth Allocation if 1. Bits 31-04: Reserved.</p> <p>ECX Reserved.</p> <p>EDX Reserved.</p>	
<i>L3 Cache Allocation Technology Enumeration Sub-leaf (EAX = 10H, ECX = ResID = 1)</i>		
10H	<p>NOTES: Leaf 10H output depends on the initial value in ECX.</p> <p>EAX Bits 04-00: Length of the capacity bit mask for the corresponding ResID using minus-one notation. Bits 31-05: Reserved</p> <p>EBX Bits 31-00: Bit-granular map of isolation/contention of allocation units.</p> <p>ECX Bit 00: Reserved. Bit 01: Updates of COS should be infrequent if 1. Bit 02: Code and Data Prioritization Technology supported if 1. Bits 31-03: Reserved</p> <p>EDX Bits 15-00: Highest COS number supported for this ResID. Bits 31-16: Reserved</p>	

Table 1-3. Information Returned by CPUID Instruction(Continued)

Initial EAX Value	Information Provided about the Processor
<i>L2 Cache Allocation Technology Enumeration Sub-leaf (EAX = 10H, ECX = ResID =2)</i>	
10H	<p>NOTES: Leaf 10H output depends on the initial value in ECX.</p> <p>EAX Bits 04 - 00: Length of the capacity bit mask for the corresponding ResID using minus-one notation. Bits 31 - 05: Reserved.</p> <p>EBX Bits 31 - 00: Bit-granular map of isolation/contention of allocation units.</p> <p>ECX Bits 31 - 00: Reserved.</p> <p>EDX Bits 15 - 00: Highest COS number supported for this ResID. Bits 31 - 16: Reserved.</p>
<i>Memory Bandwidth Allocation Enumeration Sub-leaf (EAX = 10H, ECX = ResID =3)</i>	
10H	<p>NOTES: Leaf 10H output depends on the initial value in ECX.</p> <p>EAX Bits 11 - 00: Reports the maximum MBA throttling value supported for the corresponding ResID using minus-one notation. Bits 31 - 12: Reserved.</p> <p>EBX Bits 31 - 00: Reserved.</p> <p>ECX Bit 00: Per-thread MBA controls are supported. Bit 01: Reserved. Bit 02: Reports whether the response of the delay values is linear. Bits 31 - 03: Reserved.</p> <p>EDX Bits 15 - 00: Highest COS number supported for this ResID. Bits 31 - 16: Reserved.</p>
<i>Intel® Software Guard Extensions (Intel® SGX) Capability Enumeration Leaf, sub-leaf 0 (EAX = 12H, ECX = 0)</i>	
12H	<p>NOTES: Leaf 12H sub-leaf 0 (ECX = 0) is supported if CPUID.(EAX=07H, ECX=0H):EBX[SGX] = 1.</p> <p>EAX Bit 00: SGX1. If 1, Indicates Intel SGX supports the collection of SGX1 leaf functions. Bit 01: SGX2. If 1, Indicates Intel SGX supports the collection of SGX2 leaf functions. Bits 04-02: Reserved. Bit 05: If 1, indicates Intel SGX supports ENCLV instruction leaves EINCVIRTUALCHILD, EDECVIRTUALCHILD, and ESETCONTEXT. Bit 06: If 1, indicates Intel SGX supports ENCLS instruction leaves ETRACKC, ERDINFO, ELDBC, and ELDUC. Bits 31-07: Reserved.</p> <p>EBX Bits 31-00: MISCSELECT. Bit vector of supported extended Intel SGX features.</p> <p>ECX Bits 31-00: Reserved.</p> <p>EDX Bits 07-00: MaxEnclaveSize_Not64. The maximum supported enclave size in non-64-bit mode is 2^(EDX[7:0]). Bits 15-08: MaxEnclaveSize_64. The maximum supported enclave size in 64-bit mode is 2^(EDX[15:8]). Bits 31-16: Reserved.</p>

Table 1-3. Information Returned by CPUID Instruction(Continued)

Initial EAX Value	Information Provided about the Processor
<i>Intel SGX Attributes Enumeration Leaf, sub-leaf 1 (EAX = 12H, ECX = 1)</i>	
12H	<p>NOTES: Leaf 12H sub-leaf 1 (ECX = 1) is supported if CPUID.(EAX=07H, ECX=0H):EBX[SGX] = 1.</p> <p>EAX Bit 31-00: Reports the valid bits of SECS.ATTRIBUTES[31:0] that software can set with ECREATE.</p> <p>EBX Bit 31-00: Reports the valid bits of SECS.ATTRIBUTES[63:32] that software can set with ECREATE.</p> <p>ECX Bit 31-00: Reports the valid bits of SECS.ATTRIBUTES[95:64] that software can set with ECREATE.</p> <p>EDX Bit 31-00: Reports the valid bits of SECS.ATTRIBUTES[127:96] that software can set with ECREATE.</p>
<i>Intel SGX EPC Enumeration Leaf, sub-leaves (EAX = 12H, ECX = 2 or higher)</i>	
12H	<p>NOTES: Leaf 12H sub-leaf 2 or higher (ECX >= 2) is supported if CPUID.(EAX=07H, ECX=0H):EBX[SGX] = 1. For sub-leaves (ECX = 2 or higher), definition of EDX,ECX,EBX,EAX[31:4] depends on the sub-leaf type listed below.</p> <p>EAX Bit 03-00: Sub-leaf Type 0000b: Indicates this sub-leaf is invalid. 0001b: This sub-leaf enumerates an EPC section. EBX:EAX and EDX:ECX provide information on the Enclave Page Cache (EPC) section. All other type encodings are reserved.</p> <p>Type 0000b. This sub-leaf is invalid. EDX:ECX:EBX:EAX return 0.</p> <p>Type 0001b. This sub-leaf enumerates an EPC sections with EDX:ECX, EBX:EAX defined as follows. EAX[11:04]: Reserved (enumerate 0). EAX[31:12]: Bits 31:12 of the physical address of the base of the EPC section. EBX[19:00]: Bits 51:32 of the physical address of the base of the EPC section. EBX[31:20]: Reserved. ECX[03:00]: EPC section property encoding defined as follows: If EAX[3:0] 0000b, then all bits of the EDX:ECX pair are enumerated as 0. If EAX[3:0] 0001b, then this section has confidentiality and integrity protection. All other encodings are reserved. ECX[11:04]: Reserved (enumerate 0). ECX[31:12]: Bits 31:12 of the size of the corresponding EPC section within the Processor Reserved Memory. EDX[19:00]: Bits 51:32 of the size of the corresponding EPC section within the Processor Reserved Memory. EDX[31:20]: Reserved.</p>

Table 1-3. Information Returned by CPUID Instruction(Continued)

Initial EAX Value	Information Provided about the Processor	
<i>Intel Processor Trace Enumeration Main Leaf (EAX = 14H, ECX = 0)</i>		
14H		<p>NOTES: Leaf 14H main leaf (ECX = 0).</p> <p>EAX Bits 31-00: Reports the maximum sub-leaf supported in leaf 14H.</p> <p>EBX Bit 00: If 1, Indicates that IA32_RTIT_CTL.CR3Filter can be set to 1, and that IA32_RTIT_CR3_MATCH MSR can be accessed. Bits 01: If 1, Indicates support of Configurable PSB and Cycle-Accurate Mode. Bits 02: If 1, Indicates support of IP Filtering, TraceStop filtering, and preservation of Intel PT MSRs across warm reset. Bits 03: If 1, Indicates support of MTC timing packet and suppression of COFI-based packets. Bit 04: If 1, indicates support of PTWRITE. Writes can set IA32_RTIT_CTL[12] (PTWEn) and IA32_RTIT_CTL[5] (FUPonPTW), and PTWRITE can generate packets. Bit 05: If 1, indicates support of Power Event Trace. Writes can set IA32_RTIT_CTL[4] (PwrEvtEn), enabling Power Event Trace packet generation. Bits 31-06: Reserved</p> <p>ECX Bit 00: If 1, Tracing can be enabled with IA32_RTIT_CTL.ToPA = 1, hence utilizing the ToPA output scheme; IA32_RTIT_OUTPUT_BASE and IA32_RTIT_OUTPUT_MASK_PTRS MSRs can be accessed. Bit 01: If 1, ToPA tables can hold any number of output entries, up to the maximum allowed by the MaskOffsetTableOffset field of IA32_RTIT_OUTPUT_MASK_PTRS. Bits 02: If 1, Indicates support of Single-Range Output scheme. Bits 03: If 1, Indicates support of output to Trace Transport subsystem. Bit 30-04: Reserved Bit 31: If 1, generated packets which contain IP payloads have LIP values, which include the CS base component.</p> <p>EDX Bits 31-00: Reserved</p>
<i>Intel Processor Trace Enumeration Sub-leaf (EAX = 14H, ECX = 1)</i>		
14H	<p>EAX</p> <p>EBX</p> <p>ECX</p> <p>EDX</p>	<p>Bits 02-00: Number of configurable Address Ranges for filtering. Bits 15-03: Reserved Bit 31-16: Bitmap of supported MTC period encodings</p> <p>Bits 15-00: Bitmap of supported Cycle Threshold value encodings Bit 31-16: Bitmap of supported Configurable PSB frequency encodings</p> <p>Bits 31-00: Reserved</p> <p>Bits 31-00: Reserved</p>
<i>Time Stamp Counter and Core Crystal Clock Information Leaf</i>		
15H		<p>NOTES: If EBX[31:0] is 0, the TSC and "core crystal clock" ratio is not enumerated. EBX[31:0]/EAX[31:0] indicates the ratio of the TSC frequency and the core crystal clock frequency. If ECX is 0, the core crystal clock frequency is not enumerated. "TSC frequency" = "core crystal clock frequency" * EBX/EAX. The core crystal clock may differ from the reference clock, bus clock, or core clock frequencies.</p> <p>EAX Bits 31-00: An unsigned integer which is the denominator of the TSC/"core crystal clock" ratio.</p> <p>EBX Bits 31-00: An unsigned integer which is the numerator of the TSC/"core crystal clock" ratio.</p> <p>ECX Bits 31-00: An unsigned integer which is the nominal frequency of the core crystal clock in Hz.</p> <p>EDX Bits 31-00: Reserved = 0.</p>

Table 1-3. Information Returned by CPUID Instruction(Continued)

Initial EAX Value	Information Provided about the Processor	
<i>Processor Frequency Information Leaf</i>		
16H	EAX EBX ECX EDX	Bits 15-00: Processor Base Frequency (in MHz). Bits 31-16: Reserved = 0 Bits 15-00: Maximum Frequency (in MHz). Bits 31-16: Reserved = 0 Bits 15-00: Bus (Reference) Frequency (in MHz). Bits 31-16: Reserved = 0 Reserved NOTES: * Data is returned from this interface in accordance with the processor’s specification and does not reflect actual values. Suitable use of this data includes the display of processor information in like manner to the processor brand string and for determining the appropriate range to use when displaying processor information e.g. frequency history graphs. The returned information should not be used for any other purpose as the returned information does not accurately correlate to information / counters returned by other processor interfaces. While a processor may support the Processor Frequency Information leaf, fields that return a value of zero are not supported.
<i>System-On-Chip Vendor Attribute Enumeration Main Leaf (EAX = 17H, ECX = 0)</i>		
17H	EAX EBX ECX EDX	NOTES: Leaf 17H main leaf (ECX = 0). Leaf 17H output depends on the initial value in ECX. Leaf 17H sub-leaves 1 through 3 reports SOC Vendor Brand String. Leaf 17H is valid if MaxSOCID_Index >= 3. Leaf 17H sub-leaves 4 and above are reserved. Bits 31-00: MaxSOCID_Index. Reports the maximum input value of supported sub-leaf in leaf 17H. Bits 15-00: SOC Vendor ID. Bit 16: IsVendorScheme. If 1, the SOC Vendor ID field is assigned via an industry standard enumeration scheme. Otherwise, the SOC Vendor ID field is assigned by Intel. Bits 31-17: Reserved = 0. Bits 31-00: Project ID. A unique number an SOC vendor assigns to its SOC projects. Bits 31-00: Stepping ID. A unique number within an SOC project that an SOC vendor assigns.
<i>System-On-Chip Vendor Attribute Enumeration Sub-leaf (EAX = 17H, ECX = 1..3)</i>		
17H	EAX EBX ECX EDX	Bit 31-00: SOC Vendor Brand String. UTF-8 encoded string. Bit 31-00: SOC Vendor Brand String. UTF-8 encoded string. Bit 31-00: SOC Vendor Brand String. UTF-8 encoded string. Bit 31-00: SOC Vendor Brand String. UTF-8 encoded string. NOTES: Leaf 17H output depends on the initial value in ECX. SOC Vendor Brand String is a UTF-8 encoded string padded with trailing bytes of 00H. The complete SOC Vendor Brand String is constructed by concatenating in ascending order of EAX:EBX:ECX:EDX and from the sub-leaf 1 fragment towards sub-leaf 3.

Table 1-3. Information Returned by CPUID Instruction(Continued)

Initial EAX Value	Information Provided about the Processor
<i>System-On-Chip Vendor Attribute Enumeration Sub-leaves (EAX = 17H, ECX > MaxSOCID_Index)</i>	
17H	<p>NOTES: Leaf 17H output depends on the initial value in ECX.</p> <p>EAX Bits 31-00: Reserved = 0. EBX Bits 31-00: Reserved = 0. ECX Bits 31-00: Reserved = 0. EDX Bits 31-00: Reserved = 0.</p>
<i>Deterministic Address Translation Parameters Main Leaf (EAX = 18H, ECX = 0)</i>	
18H	<p>NOTES: Each sub-leaf enumerates a different address translations structure. Valid sub-leaves do not need to be contiguous or in any particular order. A valid sub-leaf may be in a higher input ECX value than an invalid sub-leaf or than a valid sub-leaf of a higher or lower-level structure. If ECX contains an invalid sub-leaf index, EAX/EBX/ECX/EDX return 0. Sub-leaf index n is invalid if n exceeds the value that sub-leaf 0 returns in EAX. * Add one to the return value to get the result.</p> <p>EAX Bits 31-00: Reports the maximum input value of supported sub-leaf in leaf 18H. EBX Bit 00: 4K page size entries supported by this structure. Bit 01: 2MB page size entries supported by this structure. Bit 02: 4MB page size entries supported by this structure. Bit 03: 1 GB page size entries supported by this structure. Bits 07-04: Reserved. Bits 10-08: Partitioning (0: Soft partitioning between the logical processors sharing this structure). Bits 15-11: Reserved. Bits 31-16: W = Ways of associativity. ECX Bits 31-00: S = Number of Sets. EDX Bits 04-00: Translation cache type field. 00000b: Null (indicates this sub-leaf is not valid). 00001b: Data TLB. 00010b: Instruction TLB. 00011b: Unified TLB. 00100b: Load Only TLB. Hit on loads; fills on both loads and stores. 00101b: Store Only TLB. Hit on stores; fill on stores. All other encodings are reserved. Bits 07-05: Translation cache level (starts at 1). Bit 08: Fully associative structure. Bits 13-09: Reserved. Bits 25-14: Maximum number of addressable IDs for logical processors sharing this translation cache* Bits 31-26: Reserved.</p>
<i>Deterministic Address Translation Parameters Sub-leaf (EAX = 18H, ECX ≥ 1)</i>	
18H	<p>NOTES: If ECX contains an invalid sub-leaf index, EAX/EBX/ECX/EDX return 0. Sub-leaf index n is invalid if n exceeds the value that sub-leaf 0 returns in EAX. * Add one to the return value to get the result.</p> <p>EAX Bits 31-00: Reserved.</p>

Table 1-3. Information Returned by CPUID Instruction(Continued)

Initial EAX Value	Information Provided about the Processor	
	<p>EBX</p> <p>ECX</p> <p>EDX</p>	<p>Bit 00: 4K page size entries supported by this structure. Bit 01: 2MB page size entries supported by this structure. Bit 02: 4MB page size entries supported by this structure. Bit 03: 1 GB page size entries supported by this structure. Bits 07-04: Reserved. Bits 10-08: Partitioning (0: Soft partitioning between the logical processors sharing this structure). Bits 15-11: Reserved. Bits 31-16: W = Ways of associativity.</p> <p>Bits 31-00: S = Number of Sets.</p> <p>Bits 04-00: Translation cache type field. 0000b: Null (indicates this sub-leaf is not valid). 0001b: Data TLB. 0010b: Instruction TLB. 0011b: Unified TLB. All other encodings are reserved. Bits 07-05: Translation cache level (starts at 1). Bit 08: Fully associative structure. Bits 13-09: Reserved. Bits 25-14: Maximum number of addressable IDs for logical processors sharing this translation cache* Bits 31-26: Reserved.</p>
<i>Hybrid Information Sub-leaf (EAX = 1AH, ECX = 0)</i>		
1AH	<p>EAX</p> <p>EBX</p> <p>ECX</p> <p>EDX</p>	<p>Enumerates the native model ID and core type. Bits 31-24: Core type 10H: Reserved 20H: Intel Atom® 30H: Reserved 40H: Intel® Core™ Bits 23-0: Reserved</p> <p>Reserved.</p> <p>Reserved.</p> <p>Reserved.</p>
<i>PCONFIG Information Sub-leaf (EAX = 1BH, ECX ≥ 0)</i>		
1BH	<p>EAX</p> <p>EBX</p> <p>ECX</p>	<p>NOTES:</p> <p>Leaf 1BH is supported if CPUID.(EAX=07H, ECX=0H):EDX[18] = 1. For sub-leaves of 1BH, the definition of EDX, ECX, EBX, EAX depends on the sub-leaf type listed below.</p> <p>* Currently MKTME is the only defined target and is indicated by identifier 1. An identifier of 0 indicates an invalid target. If MKTME is a supported target, the MKTME_KEY_PROGRAM leaf of PCONFIG is available.</p> <p>Bits 11-00: Sub-leaf type 0: Invalid sub-leaf. On an invalid sub-leaf type returned, subsequent sub-leaves are also invalid. EBX, ECX and EDX all return 0 for this case. 1: Target Identifier. This sub-leaf enumerates PCONFIG targets supported on the platform. Software must scan until an invalid sub-leaf type is returned. EBX, ECX and EDX are defined below for this case. Bits 31-12: 0</p> <p>* Identifier of target 3n+1 (where n is the sub-leaf number, the initial value of ECX).</p> <p>* Identifier of target 3n+2.</p>

Table 1-3. Information Returned by CPUID Instruction(Continued)

Initial EAX Value	Information Provided about the Processor	
	EDX	* Identifier of target 3n+3.
<i>V2 Extended Topology Enumeration Leaf</i>		
1FH		<p>NOTES:</p> <p><i>CPUID leaf 1FH is a preferred superset to leaf 0BH. Intel recommends first checking for the existence of Leaf 1FH and using this if available.</i></p> <p>Most of Leaf 1FH output depends on the initial value in ECX.</p> <p>The EDX output of leaf 1FH is always valid and does not vary with input value in ECX.</p> <p>Output value in ECX[7:0] always equals input value in ECX[7:0].</p> <p>Sub-leaf index 0 enumerates SMT level. Each subsequent higher sub-leaf index enumerates a higher-level topological entity in hierarchical order.</p> <p>For sub-leaves that return an invalid level-type of 0 in ECX[15:8]; EAX and EBX will return 0.</p> <p>If an input value n in ECX returns the invalid level-type of 0 in ECX[15:8], other input values with ECX > n also return 0 in ECX[15:8].</p>
	EAX	<p>Bits 04 - 00: Number of bits to shift right on x2APIC ID to get a unique topology ID of the next level type*. All logical processors with the same next level ID share current level.</p> <p>Bits 31 - 05: Reserved.</p>
	EBX	<p>Bits 15 - 00: Number of logical processors at this level type. The number reflects configuration as shipped by Intel**.</p> <p>Bits 31 - 16: Reserved.</p>
	ECX	<p>Bits 07 - 00: Level number. Same value in ECX input.</p> <p>Bits 15 - 08: Level type***.</p> <p>Bits 31 - 16: Reserved.</p>
	EDX	<p>Bits 31 - 00: x2APIC ID the current logical processor.</p> <p>NOTES:</p> <p>* Software should use this field (EAX[4:0]) to enumerate processor topology of the system.</p> <p>** Software must not use EBX[15:0] to enumerate processor topology of the system. This value in this field (EBX[15:0]) is only intended for display/diagnostic purposes. The actual number of logical processors available to BIOS/OS/Applications may be different from the value of EBX[15:0], depending on software and platform hardware configurations.</p> <p>*** The value of the "level type" field is not related to level numbers in any way, higher "level type" values do not mean higher levels. Level type field has the following encoding: 0: Invalid. 1: SMT. 2: Core. 3: Module. 4: Tile. 5: Die. 6-255: Reserved.</p>
<i>Unimplemented CPUID Leaf Functions</i>		
40000000H - 4FFFFFFFH		Invalid. No existing or future CPU will return processor identification or feature information if the initial EAX value is in the range 40000000H to 4FFFFFFFH.
<i>Extended Function CPUID Information</i>		
80000000H	EAX	Maximum Input Value for Extended Function CPUID Information (see Table 1-4).
	EBX	Reserved
	ECX	Reserved
	EDX	Reserved

Table 1-3. Information Returned by CPUID Instruction(Continued)

Initial EAX Value	Information Provided about the Processor	
80000001H	EAX EBX ECX EDX	Extended Processor Signature and Feature Bits. Reserved Bit 00: LAHF/SAHF available in 64-bit mode Bits 04-01: Reserved Bit 05: LZCNT available Bits 07-06: Reserved Bit 08: PREFETCHW Bits 31-09: Reserved Bits 10-00: Reserved Bit 11: SYSCALL/SYSRET available (when in 64-bit mode) Bits 19-12: Reserved = 0 Bit 20: Execute Disable Bit available Bits 25-21: Reserved = 0 Bit 26: 1-GByte pages are available if 1 Bit 27: RDTSCP and IA32_TSC_AUX are available if 1 Bits 28: Reserved = 0 Bit 29: Intel® 64 Architecture available if 1 Bits 31-30: Reserved = 0
80000002H	EAX EBX ECX EDX	Processor Brand String Processor Brand String Continued Processor Brand String Continued Processor Brand String Continued
80000003H	EAX EBX ECX EDX	Processor Brand String Continued Processor Brand String Continued Processor Brand String Continued Processor Brand String Continued
80000004H	EAX EBX ECX EDX	Processor Brand String Continued Processor Brand String Continued Processor Brand String Continued Processor Brand String Continued
80000005H	EAX EBX ECX EDX	Reserved = 0 Reserved = 0 Reserved = 0 Reserved = 0
80000006H	EAX EBX ECX EDX	Reserved = 0 Reserved = 0 Bits 07-00: Cache Line size in bytes Bits 11-08: Reserved Bits 15-12: L2 Associativity field * Bits 31-16: Cache size in 1K units Reserved = 0

Table 1-3. Information Returned by CPUID Instruction(Continued)

Initial EAX Value	Information Provided about the Processor																	
	<p>NOTES:</p> <p>* L2 associativity field encodings:</p> <table border="0"> <tr> <td>00H - Disabled</td> <td>08H - 16 ways</td> </tr> <tr> <td>01H - 1 way (direct mapped)</td> <td>09H - Reserved</td> </tr> <tr> <td>02H - 2 ways</td> <td>0AH - 32 ways</td> </tr> <tr> <td>03H - Reserved</td> <td>0BH - 48 ways</td> </tr> <tr> <td>04H - 4 ways</td> <td>0CH - 64 ways</td> </tr> <tr> <td>05H - Reserved</td> <td>0DH - 96 ways</td> </tr> <tr> <td>06H - 8 ways</td> <td>0EH - 128 ways</td> </tr> <tr> <td>07H - See CPUID leaf 04H, sub-leaf 2**</td> <td>0FH - Fully associative</td> </tr> </table> <p>** CPUID leaf 04H provides details of deterministic cache parameters, including the L2 cache in sub-leaf 2</p>		00H - Disabled	08H - 16 ways	01H - 1 way (direct mapped)	09H - Reserved	02H - 2 ways	0AH - 32 ways	03H - Reserved	0BH - 48 ways	04H - 4 ways	0CH - 64 ways	05H - Reserved	0DH - 96 ways	06H - 8 ways	0EH - 128 ways	07H - See CPUID leaf 04H, sub-leaf 2**	0FH - Fully associative
00H - Disabled	08H - 16 ways																	
01H - 1 way (direct mapped)	09H - Reserved																	
02H - 2 ways	0AH - 32 ways																	
03H - Reserved	0BH - 48 ways																	
04H - 4 ways	0CH - 64 ways																	
05H - Reserved	0DH - 96 ways																	
06H - 8 ways	0EH - 128 ways																	
07H - See CPUID leaf 04H, sub-leaf 2**	0FH - Fully associative																	
80000007H	EAX EBX ECX EDX	Reserved = 0 Reserved = 0 Reserved = 0 Bits 07-00: Reserved = 0 Bit 08: Invariant TSC available if 1 Bits 31-09: Reserved = 0																
80000008H	EAX EBX ECX EDX	Virtual/Physical Address size Bits 07-00: #Physical Address Bits* Bits 15-08: #Virtual Address Bits Bits 31-16: Reserved = 0 Bits 08-00: Reserved = 0 Bit 09: WBNOINVD is available if 1 Bits 31-10: Reserved = 0 Reserved = 0 Reserved = 0 <p>NOTES:</p> <p>* If CPUID.80000008H:EAX[7:0] is supported, the maximum physical address number supported should come from this field.</p>																

INPUT EAX = 0H: Returns CPUID’s Highest Value for Basic Processor Information and the Vendor Identification String

When CPUID executes with EAX set to 0H, the processor returns the highest value the CPUID recognizes for returning basic processor information. The value is returned in the EAX register (see Table 1-4) and is processor specific.

A vendor identification string is also returned in EBX, EDX, and ECX. For Intel processors, the string is “GenuineIntel” and is expressed:

- EBX := 756e6547h (* “Genu”, with G in the low 4 bits of BL *)
- EDX := 49656e69h (* “inel”, with i in the low 4 bits of DL *)
- ECX := 6c65746eh (* “ntel”, with n in the low 4 bits of CL *)

INPUT EAX = 80000000H: Returns CPUID’s Highest Value for Extended Processor Information

When CPUID executes with EAX set to 0H, the processor returns the highest value the processor recognizes for returning extended processor information. The value is returned in the EAX register (see Table 1-4) and is processor specific.

Table 1-4. Highest CPUID Source Operand for Intel 64 and IA-32 Processors

Intel 64 or IA-32 Processors	Highest Value in EAX	
	Basic Information	Extended Function Information
Earlier Intel486 Processors	CPUID Not Implemented	CPUID Not Implemented
Later Intel486 Processors and Pentium Processors	01H	Not Implemented
Pentium Pro and Pentium II Processors, Intel® Celeron® Processors	02H	Not Implemented
Pentium III Processors	03H	Not Implemented
Pentium 4 Processors	02H	8000004H
Intel Xeon Processors	02H	8000004H
Pentium M Processor	02H	8000004H
Pentium 4 Processor supporting Hyper-Threading Technology	05H	8000008H
Pentium D Processor (8xx)	05H	8000008H
Pentium D Processor (9xx)	06H	8000008H
Intel Core Duo Processor	0AH	8000008H
Intel Core 2 Duo Processor	0AH	8000008H
Intel Xeon Processor 3000, 5100, 5300 Series	0AH	8000008H
Intel Xeon Processor 3000, 5100, 5200, 5300, 5400 Series	0AH	8000008H
Intel Core 2 Duo Processor 8000 Series	0DH	8000008H
Intel Xeon Processor 5200, 5400 Series	0AH	8000008H

IA32_BIOS_SIGN_ID Returns Microcode Update Signature

For processors that support the microcode update facility, the IA32_BIOS_SIGN_ID MSR is loaded with the update signature whenever CPUID executes. The signature is returned in the upper DWORD. For details, see Chapter 10 in the *Intel® 64 and IA-32 Architectures Software Developer’s Manual, Volume 3A*.

INPUT EAX = 01H: Returns Model, Family, Stepping Information

When CPUID executes with EAX set to 01H, version information is returned in EAX (see Figure 1-1). For example: model, family, and processor type for the Intel Xeon processor 5100 series is as follows:

- Model — 1111B
- Family — 0101B
- Processor Type — 00B

See Table 1-5 for available processor type values. Stepping IDs are provided as needed.

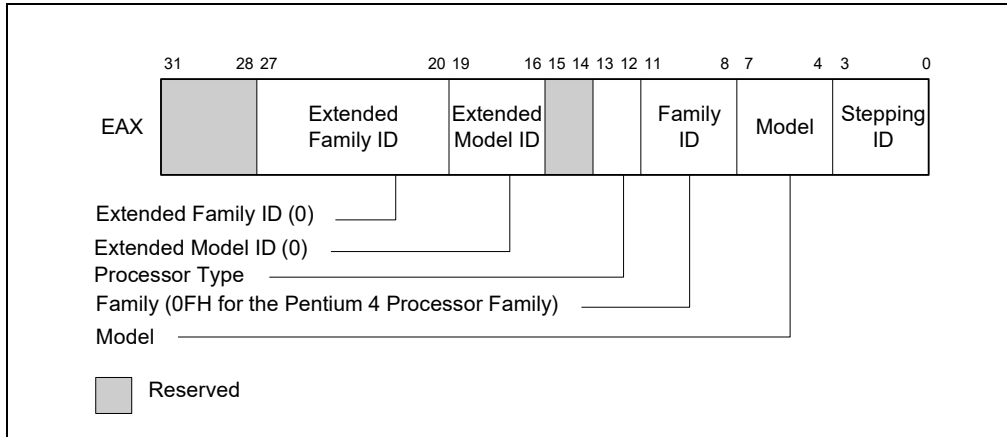


Figure 1-1. Version Information Returned by CPUID in EAX

Table 1-5. Processor Type Field

Type	Encoding
Original OEM Processor	00B
Intel OverDrive* Processor	01B
Dual processor (not applicable to Intel486 processors)	10B
Intel reserved	11B

NOTE

See "Caching Translation Information" in Chapter 4, "Paging," in the *Intel® 64 and IA-32 Architectures Software Developer's Manual, Volume 3A*, and Chapter 16 in the *Intel® 64 and IA-32 Architectures Software Developer's Manual, Volume 1*, for information on identifying earlier IA-32 processors.

The Extended Family ID needs to be examined only when the Family ID is 0FH. Integrate the fields into a display using the following rule:

```

IF Family_ID ≠ 0FH
    THEN Displayed_Family = Family_ID;
    ELSE Displayed_Family = Extended_Family_ID + Family_ID;
    (* Right justify and zero-extend 4-bit field. *)
FI;
(* Show Display_Family as HEX field. *)
    
```

The Extended Model ID needs to be examined only when the Family ID is 06H or 0FH. Integrate the field into a display using the following rule:

```

IF (Family_ID = 06H or Family_ID = 0FH)
    THEN Displayed_Model = (Extended_Model_ID << 4) + Model_ID;
    (* Right justify and zero-extend 4-bit field; display Model_ID as HEX field.*)
    ELSE Displayed_Model = Model_ID;
FI;
(* Show Display_Model as HEX field. *)
    
```

INPUT EAX = 01H: Returns Additional Information in EBX

When CPUID executes with EAX set to 01H, additional information is returned to the EBX register:

- Brand index (low byte of EBX) — this number provides an entry into a brand string table that contains brand strings for IA-32 processors. More information about this field is provided later in this section.
- CLFLUSH instruction cache line size (second byte of EBX) — this number indicates the size of the cache line flushed with CLFLUSH instruction in 8-byte increments. This field was introduced in the Pentium 4 processor.
- Local APIC ID (high byte of EBX) — this number is the 8-bit ID that is assigned to the local APIC on the processor during power up. This field was introduced in the Pentium 4 processor.

INPUT EAX = 01H: Returns Feature Information in ECX and EDX

When CPUID executes with EAX set to 01H, feature information is returned in ECX and EDX.

- Figure 1-2 and Table 1-6 show encodings for ECX.
- Figure 1-3 and Table 1-7 show encodings for EDX.

For all feature flags, a 1 indicates that the feature is supported. Use Intel to properly interpret feature flags.

NOTE

Software must confirm that a processor feature is present using feature flags returned by CPUID prior to using the feature. Software should not depend on future offerings retaining all features.

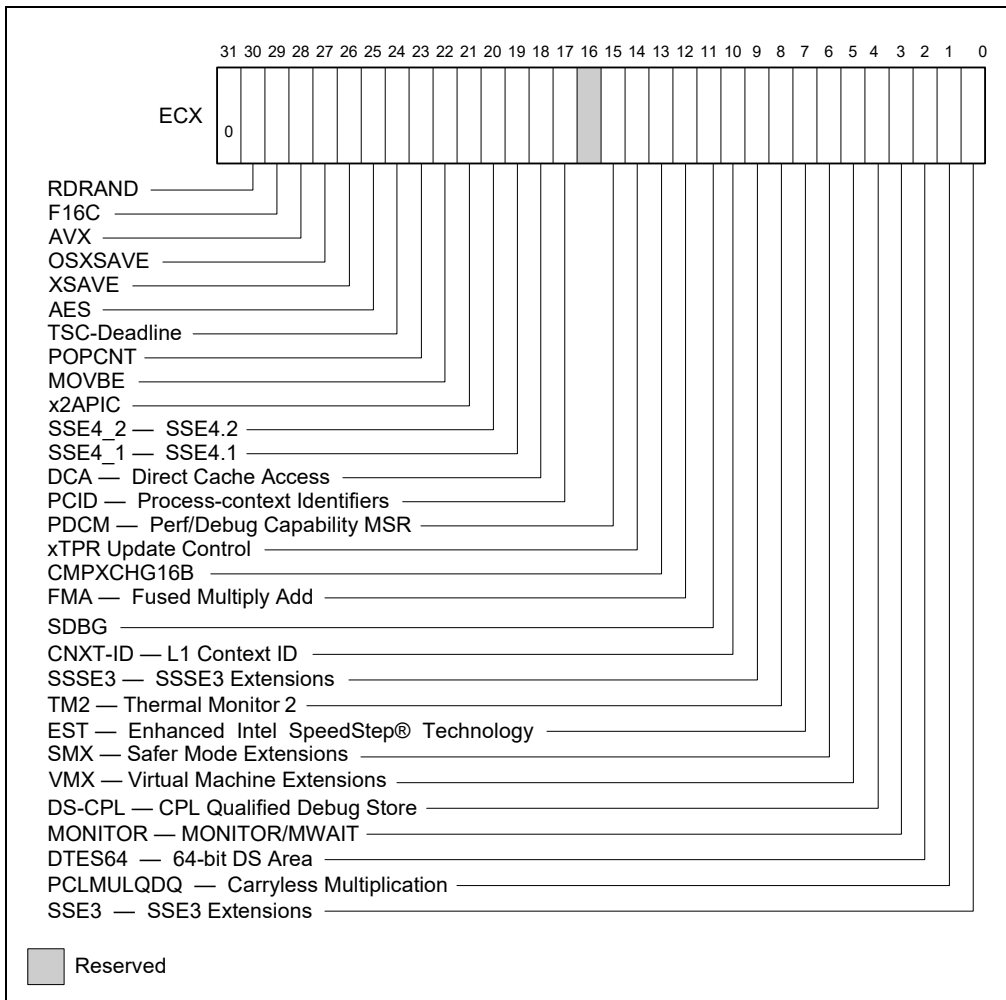


Figure 1-2. Feature Information Returned in the ECX Register

Table 1-6. Feature Information Returned in the ECX Register

Bit #	Mnemonic	Description
0	SSE3	Intel® Streaming SIMD Extensions 3 (Intel® SSE3). A value of 1 indicates the processor supports this technology.
1	PCLMULQDQ	A value of 1 indicates the processor supports PCLMULQDQ instruction.
2	DTES64	64-bit DS Area. A value of 1 indicates the processor supports DS area using 64-bit layout.
3	MONITOR	MONITOR/MWAIT. A value of 1 indicates the processor supports this feature.
4	DS-CPL	CPL Qualified Debug Store. A value of 1 indicates the processor supports the extensions to the Debug Store feature to allow for branch message storage qualified by CPL.
5	VMX	Virtual Machine Extensions. A value of 1 indicates that the processor supports this technology.
6	SMX	Safer Mode Extensions. A value of 1 indicates that the processor supports this technology. See Chapter 6, “Safer Mode Extensions Reference”.
7	EST	Enhanced Intel SpeedStep® Technology. A value of 1 indicates that the processor supports this technology.
8	TM2	Thermal Monitor 2. A value of 1 indicates whether the processor supports this technology.
9	SSSE3	A value of 1 indicates the presence of the Supplemental Streaming SIMD Extensions 3 (SSSE3). A value of 0 indicates the instruction extensions are not present in the processor.
10	CNXT-ID	L1 Context ID. A value of 1 indicates the L1 data cache mode can be set to either adaptive mode or shared mode. A value of 0 indicates this feature is not supported. See definition of the IA32_MISC_ENABLE MSR Bit 24 (L1 Data Cache Context Mode) for details.
11	SDBG	A value of 1 indicates the processor supports IA32_DEBUG_INTERFACE MSR for silicon debug.
12	FMA	A value of 1 indicates the processor supports FMA extensions using YMM state.
13	CMPXCHG16B	CMPXCHG16B Available. A value of 1 indicates that the feature is available.
14	xTPR Update Control	xTPR Update Control. A value of 1 indicates that the processor supports changing IA32_MISC_ENABLE[bit 23].
15	PDCM	Perfmon and Debug Capability. A value of 1 indicates the processor supports the performance and debug feature indication MSR IA32_PERF_CAPABILITIES.
16	Reserved	Reserved
17	PCID	Process-context identifiers. A value of 1 indicates that the processor supports PCIDs and that software may set CR4.PCIDE to 1.
18	DCA	A value of 1 indicates the processor supports the ability to prefetch data from a memory mapped device.
19	SSE4.1	A value of 1 indicates that the processor supports SSE4.1.
20	SSE4.2	A value of 1 indicates that the processor supports SSE4.2.
21	x2APIC	A value of 1 indicates that the processor supports x2APIC feature.
22	MOVBE	A value of 1 indicates that the processor supports MOVBE instruction.
23	POPCNT	A value of 1 indicates that the processor supports the POPCNT instruction.
24	TSC-Deadline	A value of 1 indicates that the processor’s local APIC timer supports one-shot operation using a TSC deadline value.
25	AES	A value of 1 indicates that the processor supports the AESNI instruction extensions.
26	XSAVE	A value of 1 indicates that the processor supports the XSAVE/XRSTOR processor extended states feature, the XSETBV/XGETBV instructions, and XCRO.
27	OSXSAVE	A value of 1 indicates that the OS has set CR4.OSXSAVE[bit 18] to enable XSETBV/XGETBV instructions to access XCRO and to support processor extended state management using XSAVE/XRSTOR.
28	AVX	A value of 1 indicates that processor supports AVX instructions operating on 256-bit YMM state, and three-operand encoding of 256-bit and 128-bit SIMD instructions.

Table 1-6. Feature Information Returned in the ECX Register (Continued)

Bit #	Mnemonic	Description
29	F16C	A value of 1 indicates that processor supports 16-bit floating-point conversion instructions.
30	RDRAND	A value of 1 indicates that processor supports RDRAND instruction.
31	Not Used	Always return 0.

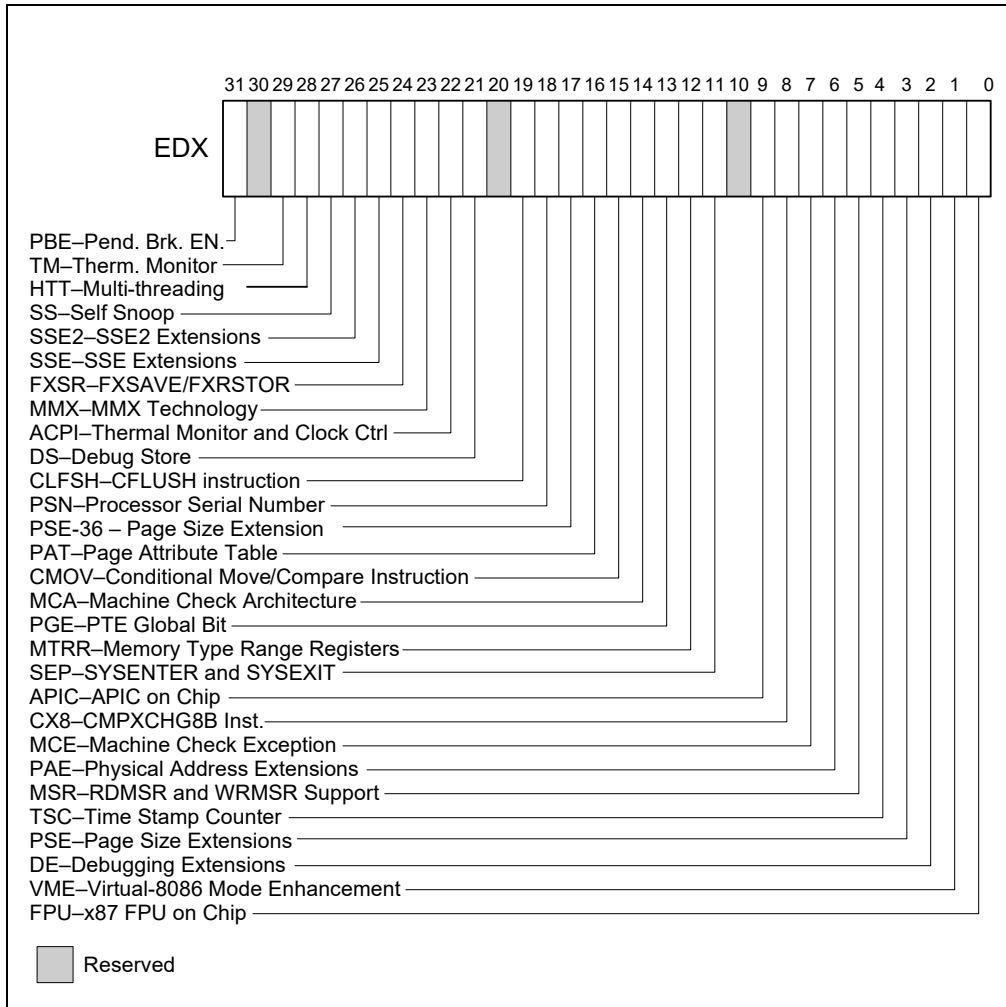


Figure 1-3. Feature Information Returned in the EDX Register

Table 1-7. More on Feature Information Returned in the EDX Register

Bit #	Mnemonic	Description
0	FPU	Floating-point Unit On-Chip. The processor contains an x87 FPU.
1	VME	Virtual 8086 Mode Enhancements. Virtual 8086 mode enhancements, including CR4.VME for controlling the feature, CR4.PVI for protected mode virtual interrupts, software interrupt indirection, expansion of the TSS with the software indirection bitmap, and EFLAGS.VIF and EFLAGS.VIP flags.
2	DE	Debugging Extensions. Support for I/O breakpoints, including CR4.DE for controlling the feature, and optional trapping of accesses to DR4 and DR5.

Table 1-7. More on Feature Information Returned in the EDX Register(Continued)

Bit #	Mnemonic	Description
3	PSE	Page Size Extension. Large pages of size 4 MByte are supported, including CR4.PSE for controlling the feature, the defined dirty bit in PDE (Page Directory Entries), optional reserved bit trapping in CR3, PDEs, and PTEs.
4	TSC	Time Stamp Counter. The RDTSC instruction is supported, including CR4.TSD for controlling privilege.
5	MSR	Model Specific Registers RDMSR and WRMSR Instructions. The RDMSR and WRMSR instructions are supported. Some of the MSRs are implementation dependent.
6	PAE	Physical Address Extension. Physical addresses greater than 32 bits are supported: extended page table entry formats, an extra level in the page translation tables is defined, 2-MByte pages are supported instead of 4 Mbyte pages if PAE bit is 1. The actual number of address bits beyond 32 is not defined, and is implementation specific.
7	MCE	Machine Check Exception. Exception 18 is defined for Machine Checks, including CR4.MCE for controlling the feature. This feature does not define the model-specific implementations of machine-check error logging, reporting, and processor shutdowns. Machine Check exception handlers may have to depend on processor version to do model specific processing of the exception, or test for the presence of the Machine Check feature.
8	CX8	CMPXCHG8B Instruction. The compare-and-exchange 8 bytes (64 bits) instruction is supported (implicitly locked and atomic).
9	APIC	APIC On-Chip. The processor contains an Advanced Programmable Interrupt Controller (APIC), responding to memory mapped commands in the physical address range FFFE0000H to FFFE0FFFH (by default - some processors permit the APIC to be relocated).
10	Reserved	Reserved
11	SEP	SYSENTER and SYSEXIT Instructions. The SYSENTER and SYSEXIT and associated MSRs are supported.
12	MTRR	Memory Type Range Registers. MTRRs are supported. The MTRRcap MSR contains feature bits that describe what memory types are supported, how many variable MTRRs are supported, and whether fixed MTRRs are supported.
13	PGE	Page Global Bit. The global bit is supported in paging-structure entries that map a page, indicating TLB entries that are common to different processes and need not be flushed. The CR4.PGE bit controls this feature.
14	MCA	Machine Check Architecture. The Machine Check Architecture, which provides a compatible mechanism for error reporting in P6 family, Pentium 4, Intel Xeon processors, and future processors, is supported. The MCG_CAP MSR contains feature bits describing how many banks of error reporting MSRs are supported.
15	CMOV	Conditional Move Instructions. The conditional move instruction CMOV is supported. In addition, if x87 FPU is present as indicated by the CPUID.FPU feature bit, then the FCOMI and FCMOV instructions are supported
16	PAT	Page Attribute Table. Page Attribute Table is supported. This feature augments the Memory Type Range Registers (MTRRs), allowing an operating system to specify attributes of memory accessed through a linear address on a 4KB granularity.
17	PSE-36	36-Bit Page Size Extension. 4-MByte pages addressing physical memory beyond 4 GBytes are supported with 32-bit paging. This feature indicates that upper bits of the physical address of a 4-MByte page are encoded in bits 20:13 of the page-directory entry. Such physical addresses are limited by MAXPHYADDR and may be up to 40 bits in size.
18	PSN	Processor Serial Number. The processor supports the 96-bit processor identification number feature and the feature is enabled.
19	CLFSH	CLFLUSH Instruction. CLFLUSH Instruction is supported.
20	Reserved	Reserved
21	DS	Debug Store. The processor supports the ability to write debug information into a memory resident buffer. This feature is used by the branch trace store (BTS) and precise event-based sampling (PEBS) facilities (see Chapter 23, "Introduction to Virtual-Machine Extensions," in the <i>Intel® 64 and IA-32 Architectures Software Developer's Manual, Volume 3C</i>).

Table 1-7. More on Feature Information Returned in the EDX Register(Continued)

Bit #	Mnemonic	Description
22	ACPI	Thermal Monitor and Software Controlled Clock Facilities. The processor implements internal MSRs that allow processor temperature to be monitored and processor performance to be modulated in predefined duty cycles under software control.
23	MMX	Intel MMX Technology. The processor supports the Intel MMX technology.
24	FXSR	FXSAVE and FXRSTOR Instructions. The FXSAVE and FXRSTOR instructions are supported for fast save and restore of the floating-point context. Presence of this bit also indicates that CR4.OSFXSR is available for an operating system to indicate that it supports the FXSAVE and FXRSTOR instructions.
25	SSE	SSE. The processor supports the SSE extensions.
26	SSE2	SSE2. The processor supports the SSE2 extensions.
27	SS	Self Snoop. The processor supports the management of conflicting memory types by performing a snoop of its own cache structure for transactions issued to the bus.
28	HTT	Max APIC IDs reserved field is Valid. A value of 0 for HTT indicates there is only a single logical processor in the package and software should assume only a single APIC ID is reserved. A value of 1 for HTT indicates the value in CPUID.1.EBX[23:16] (the Maximum number of addressable IDs for logical processors in this package) is valid for the package.
29	TM	Thermal Monitor. The processor implements the thermal monitor automatic thermal control circuitry (TCC).
30	Reserved	Reserved
31	PBE	Pending Break Enable. The processor supports the use of the FERR#/PBE# pin when the processor is in the stop-clock state (STPCLK# is asserted) to signal the processor that an interrupt is pending and that the processor should return to normal operation to handle the interrupt. Bit 10 (PBE enable) in the IA32_MISC_ENABLE MSR enables this capability.

INPUT EAX = 02H: Cache and TLB Information Returned in EAX, EBX, ECX, EDX

When CPUID executes with EAX set to 02H, the processor returns information about the processor’s internal caches and TLBs in the EAX, EBX, ECX, and EDX registers.

The encoding is as follows:

- The least-significant byte in register EAX (register AL) indicates the number of times the CPUID instruction must be executed with an input value of 02H to get a complete description of the processor’s caches and TLBs. The first member of the family of Pentium 4 processors will return a 01H.
- The most significant bit (bit 31) of each register indicates whether the register contains valid information (set to 0) or is reserved (set to 1).
- If a register contains valid information, the information is contained in 1 byte descriptors. Table 1-8 shows the encoding of these descriptors. Note that the order of descriptors in the EAX, EBX, ECX, and EDX registers is not defined; that is, specific bytes are not designated to contain descriptors for specific cache or TLB types. The descriptors may appear in any order.

Table 1-8. Encoding of Cache and TLB Descriptors

Descriptor Value	Cache or TLB Description
00H	Null descriptor
01H	Instruction TLB: 4 KByte pages, 4-way set associative, 32 entries
02H	Instruction TLB: 4 MByte pages, 4-way set associative, 2 entries
03H	Data TLB: 4 KByte pages, 4-way set associative, 64 entries
04H	Data TLB: 4 MByte pages, 4-way set associative, 8 entries
05H	Data TLB1: 4 MByte pages, 4-way set associative, 32 entries
06H	1st-level instruction cache: 8 KBytes, 4-way set associative, 32 byte line size
08H	1st-level instruction cache: 16 KBytes, 4-way set associative, 32 byte line size

Table 1-8. Encoding of Cache and TLB Descriptors (Continued)

Descriptor Value	Cache or TLB Description
0AH	1st-level data cache: 8 KBytes, 2-way set associative, 32 byte line size
0BH	Instruction TLB: 4 MByte pages, 4-way set associative, 4 entries
0CH	1st-level data cache: 16 KBytes, 4-way set associative, 32 byte line size
22H	3rd-level cache: 512 KBytes, 4-way set associative, 64 byte line size, 2 lines per sector
23H	3rd-level cache: 1 MBytes, 8-way set associative, 64 byte line size, 2 lines per sector
25H	3rd-level cache: 2 MBytes, 8-way set associative, 64 byte line size, 2 lines per sector
29H	3rd-level cache: 4 MBytes, 8-way set associative, 64 byte line size, 2 lines per sector
2CH	1st-level data cache: 32 KBytes, 8-way set associative, 64 byte line size
30H	1st-level instruction cache: 32 KBytes, 8-way set associative, 64 byte line size
40H	No 2nd-level cache or, if processor contains a valid 2nd-level cache, no 3rd-level cache
41H	2nd-level cache: 128 KBytes, 4-way set associative, 32 byte line size
42H	2nd-level cache: 256 KBytes, 4-way set associative, 32 byte line size
43H	2nd-level cache: 512 KBytes, 4-way set associative, 32 byte line size
44H	2nd-level cache: 1 MByte, 4-way set associative, 32 byte line size
45H	2nd-level cache: 2 MByte, 4-way set associative, 32 byte line size
46H	3rd-level cache: 4 MByte, 4-way set associative, 64 byte line size
47H	3rd-level cache: 8 MByte, 8-way set associative, 64 byte line size
49H	3rd-level cache: 4MB, 16-way set associative, 64-byte line size (Intel Xeon processor MP, Family 0FH, Model 06H); 2nd-level cache: 4 MByte, 16-way set associative, 64 byte line size
4AH	3rd-level cache: 6MByte, 12-way set associative, 64 byte line size
4BH	3rd-level cache: 8MByte, 16-way set associative, 64 byte line size
4CH	3rd-level cache: 12MByte, 12-way set associative, 64 byte line size
4DH	3rd-level cache: 16MByte, 16-way set associative, 64 byte line size
4EH	2nd-level cache: 6MByte, 24-way set associative, 64 byte line size
50H	Instruction TLB: 4 KByte and 2-MByte or 4-MByte pages, 64 entries
51H	Instruction TLB: 4 KByte and 2-MByte or 4-MByte pages, 128 entries
52H	Instruction TLB: 4 KByte and 2-MByte or 4-MByte pages, 256 entries
56H	Data TLB0: 4 MByte pages, 4-way set associative, 16 entries
57H	Data TLB0: 4 KByte pages, 4-way associative, 16 entries
5BH	Data TLB: 4 KByte and 4 MByte pages, 64 entries
5CH	Data TLB: 4 KByte and 4 MByte pages, 128 entries
5DH	Data TLB: 4 KByte and 4 MByte pages, 256 entries
60H	1st-level data cache: 16 KByte, 8-way set associative, 64 byte line size
66H	1st-level data cache: 8 KByte, 4-way set associative, 64 byte line size
67H	1st-level data cache: 16 KByte, 4-way set associative, 64 byte line size
68H	1st-level data cache: 32 KByte, 4-way set associative, 64 byte line size
70H	Trace cache: 12 K- μ op, 8-way set associative
71H	Trace cache: 16 K- μ op, 8-way set associative
72H	Trace cache: 32 K- μ op, 8-way set associative
78H	2nd-level cache: 1 MByte, 4-way set associative, 64byte line size
79H	2nd-level cache: 128 KByte, 8-way set associative, 64 byte line size, 2 lines per sector

Table 1-8. Encoding of Cache and TLB Descriptors (Continued)

Descriptor Value	Cache or TLB Description
7AH	2nd-level cache: 256 KByte, 8-way set associative, 64 byte line size, 2 lines per sector
7BH	2nd-level cache: 512 KByte, 8-way set associative, 64 byte line size, 2 lines per sector
7CH	2nd-level cache: 1 MByte, 8-way set associative, 64 byte line size, 2 lines per sector
7DH	2nd-level cache: 2 MByte, 8-way set associative, 64byte line size
7FH	2nd-level cache: 512 KByte, 2-way set associative, 64-byte line size
82H	2nd-level cache: 256 KByte, 8-way set associative, 32 byte line size
83H	2nd-level cache: 512 KByte, 8-way set associative, 32 byte line size
84H	2nd-level cache: 1 MByte, 8-way set associative, 32 byte line size
85H	2nd-level cache: 2 MByte, 8-way set associative, 32 byte line size
86H	2nd-level cache: 512 KByte, 4-way set associative, 64 byte line size
87H	2nd-level cache: 1 MByte, 8-way set associative, 64 byte line size
B0H	Instruction TLB: 4 KByte pages, 4-way set associative, 128 entries
B1H	Instruction TLB: 2M pages, 4-way, 8 entries or 4M pages, 4-way, 4 entries
B3H	Data TLB: 4 KByte pages, 4-way set associative, 128 entries
B4H	Data TLB1: 4 KByte pages, 4-way associative, 256 entries
F0H	64-Byte prefetching
F1H	128-Byte prefetching

Example 1-1. Example of Cache and TLB Interpretation

The first member of the family of Pentium 4 processors returns the following information about caches and TLBs when the CPUID executes with an input value of 2:

```
EAX    66 5B 50 01H
EBX    0H
ECX    0H
EDX    00 7A 70 00H
```

Which means:

- The least-significant byte (byte 0) of register EAX is set to 01H. This indicates that CPUID needs to be executed once with an input value of 2 to retrieve complete information about caches and TLBs.
- The most-significant bit of all four registers (EAX, EBX, ECX, and EDX) is set to 0, indicating that each register contains valid 1-byte descriptors.
- Bytes 1, 2, and 3 of register EAX indicate that the processor has:
 - 50H - a 64-entry instruction TLB, for mapping 4-KByte and 2-MByte or 4-MByte pages.
 - 5BH - a 64-entry data TLB, for mapping 4-KByte and 4-MByte pages.
 - 66H - an 8-KByte 1st level data cache, 4-way set associative, with a 64-Byte cache line size.
- The descriptors in registers EBX and ECX are valid, but contain NULL descriptors.
- Bytes 0, 1, 2, and 3 of register EDX indicate that the processor has:
 - 00H - NULL descriptor.
 - 70H - Trace cache: 12 K- μ op, 8-way set associative.
 - 7AH - a 256-KByte 2nd level cache, 8-way set associative, with a sectored, 64-byte cache line size.
 - 00H - NULL descriptor.

INPUT EAX = 04H: Returns Deterministic Cache Parameters for Each Level

When CPUID executes with EAX set to 04H and ECX contains an index value, the processor returns encoded data that describe a set of deterministic cache parameters (for the cache level associated with the input in ECX). Valid index values start from 0.

Software can enumerate the deterministic cache parameters for each level of the cache hierarchy starting with an index value of 0, until the parameters report the value associated with the cache type field is 0. The architecturally defined fields reported by deterministic cache parameters are documented in Table 1-3.

The CPUID leaf 4 also reports data that can be used to derive the topology of processor cores in a physical package. This information is constant for all valid index values. Software can query the raw data reported by executing CPUID with EAX=04H and ECX=0H and use it as part of the topology enumeration algorithm described in Chapter 8, "Multiple-Processor Management," in the *Intel® 64 and IA-32 Architectures Software Developer's Manual, Volume 3A*.

INPUT EAX = 05H: Returns MONITOR and MWAIT Features

When CPUID executes with EAX set to 05H, the processor returns information about features available to MONITOR/MWAIT instructions. The MONITOR instruction is used for address-range monitoring in conjunction with MWAIT instruction. The MWAIT instruction optionally provides additional extensions for advanced power management. See Table 1-3.

INPUT EAX = 06H: Returns Thermal and Power Management Features

When CPUID executes with EAX set to 06H, the processor returns information about thermal and power management features. See Table 1-3.

INPUT EAX = 07H: Returns Structured Extended Feature Enumeration Information

When CPUID executes with EAX set to 07H and ECX = 0H, the processor returns information about the maximum number of sub-leaves that contain extended feature flags. See Table 1-3.

When CPUID executes with EAX set to 07H and ECX = n (n > 1 and less than the number of non-zero bits in CPUID.(EAX=07H, ECX= 0H).EAX, the processor returns information about extended feature flags. See Table 1-3. In sub-leaf 0, only EAX has the number of sub-leaves. In sub-leaf 0, EBX, ECX & EDX all contain extended feature flags.

INPUT EAX = 09H: Returns Direct Cache Access Information

When CPUID executes with EAX set to 09H, the processor returns information about Direct Cache Access capabilities. See Table 1-3.

INPUT EAX = 0AH: Returns Architectural Performance Monitoring Features

When CPUID executes with EAX set to 0AH, the processor returns information about support for architectural performance monitoring capabilities. Architectural performance monitoring is supported if the version ID (see Table 1-3) is greater than Pn 0. See Table 1-3.

For each version of architectural performance monitoring capability, software must enumerate this leaf to discover the programming facilities and the architectural performance events available in the processor. The details are described in Chapter 17, "Debug, Branch Profile, TSC, and Quality of Service," in the *Intel® 64 and IA-32 Architectures Software Developer's Manual, Volume 3A*.

INPUT EAX = 0BH: Returns Extended Topology Information

CPUID leaf 1FH is a preferred superset to leaf 0BH. Intel recommends first checking for the existence of Leaf 1FH before using leaf 0BH.

When CPUID executes with EAX set to 0BH, the processor returns information about extended topology enumeration data. Software must detect the presence of CPUID leaf 0BH by verifying (a) the highest leaf index supported by CPUID is >= 0BH, and (b) CPUID.0BH:EBX[15:0] reports a non-zero value. See Table 1-3.

INPUT EAX = 0DH: Returns Processor Extended States Enumeration Information

When CPUID executes with EAX set to 0DH and ECX = 0H, the processor returns information about the bit-vector representation of all processor state extensions that are supported in the processor and storage size requirements of the XSAVE/XRSTOR area. See Table 1-3.

When CPUID executes with EAX set to 0DH and ECX = n (n > 1, and is a valid sub-leaf index), the processor returns information about the size and offset of each processor extended state save area within the XSAVE/XRSTOR area. See Table 1-3. Software can use the forward-extendable technique depicted below to query the valid sub-leaves and obtain size and offset information for each processor extended state save area:

```
For i = 2 to 62 // sub-leaf 1 is reserved
  IF (CPUID.(EAX=0DH, ECX=0):VECTOR[i] = 1) // VECTOR is the 64-bit value of EDX:EAX
    Execute CPUID.(EAX=0DH, ECX = i) to examine size and offset for sub-leaf i;
  FI;
```

INPUT EAX = 0FH: Returns Intel Resource Director Technology (Intel RDT) Monitoring Enumeration Information

When CPUID executes with EAX set to 0FH and ECX = 0, the processor returns information about the bit-vector representation of QoS monitoring resource types that are supported in the processor and maximum range of RMID values the processor can use to monitor of any supported resource types. Each bit, starting from bit 1, corresponds to a specific resource type if the bit is set. The bit position corresponds to the sub-leaf index (or ResID) that software must use to query QoS monitoring capability available for that type. See Table 1-3.

When CPUID executes with EAX set to 0FH and ECX = n (n >= 1, and is a valid ResID), the processor returns information software can use to program IA32_PQR_ASSOC, IA32_QM_EVTSEL MSRs before reading QoS data from the IA32_QM_CTR MSR.

INPUT EAX = 10H: Returns Intel Resource Director Technology (Intel RDT) Allocation Enumeration Information

When CPUID executes with EAX set to 10H and ECX = 0, the processor returns information about the bit-vector representation of QoS Enforcement resource types that are supported in the processor. Each bit, starting from bit 1, corresponds to a specific resource type if the bit is set. The bit position corresponds to the sub-leaf index (or ResID) that software must use to query QoS enforcement capability available for that type. See Table 1-3.

When CPUID executes with EAX set to 10H and ECX = n (n >= 1, and is a valid ResID), the processor returns information about available classes of service and range of QoS mask MSRs that software can use to configure each class of services using capability bit masks in the QoS Mask registers, IA32_resourceType_Mask_n.

INPUT EAX = 12H: Returns Intel SGX Enumeration Information

When CPUID executes with EAX set to 12H and ECX = 0H, the processor returns information about Intel SGX capabilities. See Table 1-3.

When CPUID executes with EAX set to 12H and ECX = 1H, the processor returns information about Intel SGX attributes. See Table 1-3.

When CPUID executes with EAX set to 12H and ECX = n (n > 1), the processor returns information about Intel SGX Enclave Page Cache. See Table 1-3.

INPUT EAX = 14H: Returns Intel Processor Trace Enumeration Information

When CPUID executes with EAX set to 14H and ECX = 0H, the processor returns information about Intel Processor Trace extensions. See Table 1-3.

When CPUID executes with EAX set to 14H and ECX = n (n > 0 and less than the number of non-zero bits in CPUID.(EAX=14H, ECX= 0H).EAX), the processor returns information about packet generation in Intel Processor Trace. See Table 1-3.

INPUT EAX = 15H: Returns Time Stamp Counter and Nominal Core Crystal Clock Information

When CPUID executes with EAX set to 15H and ECX = 0H, the processor returns information about Time Stamp

Counter and Core Crystal Clock. See Table 1-3.

INPUT EAX = 16H: Returns Processor Frequency Information

When CPUID executes with EAX set to 16H, the processor returns information about Processor Frequency Information. See Table 1-3.

INPUT EAX = 17H: Returns System-On-Chip Information

When CPUID executes with EAX set to 17H, the processor returns information about the System-On-Chip Vendor Attribute Enumeration. See Table 1-3.

INPUT EAX = 18H: Returns Deterministic Address Translation Parameters Information

When CPUID executes with EAX set to 18H, the processor returns information about the Deterministic Address Translation Parameters. See Table 1-3.

INPUT EAX = 1AH: Returns Hybrid Information

When CPUID executes with EAX set to 1AH, the processor returns information about hybrid capabilities. See Table 1-3.

INPUT EAX = 1BH: Returns PCONFIG Information

When CPUID executes with EAX set to 1BH, the processor returns information about PCONFIG capabilities. See Table 1-3.

INPUT EAX = 1FH: Returns V2 Extended Topology Information

When CPUID executes with EAX set to 1FH, the processor returns information about extended topology enumeration data. Software must detect the presence of CPUID leaf 1FH by verifying (a) the highest leaf index supported by CPUID is $\geq 1FH$, and (b) CPUID.1FH:EBX[15:0] reports a non-zero value. See Table 1-3.

METHODS FOR RETURNING BRANDING INFORMATION

Use the following techniques to access branding information:

1. Processor brand string method; this method also returns the processor's maximum operating frequency
2. Processor brand index; this method uses a software supplied brand string table.

These two methods are discussed in the following sections. For methods that are available in early processors, see Section: "Identification of Earlier IA-32 Processors" in Chapter 16 of the *Intel® 64 and IA-32 Architectures Software Developer's Manual, Volume 1*.

The Processor Brand String Method

Figure 1-4 describes the algorithm used for detection of the brand string. Processor brand identification software should execute this algorithm on all Intel 64 and IA-32 processors.

This method (introduced with Pentium 4 processors) returns an ASCII brand identification string and the maximum operating frequency of the processor to the EAX, EBX, ECX, and EDX registers.

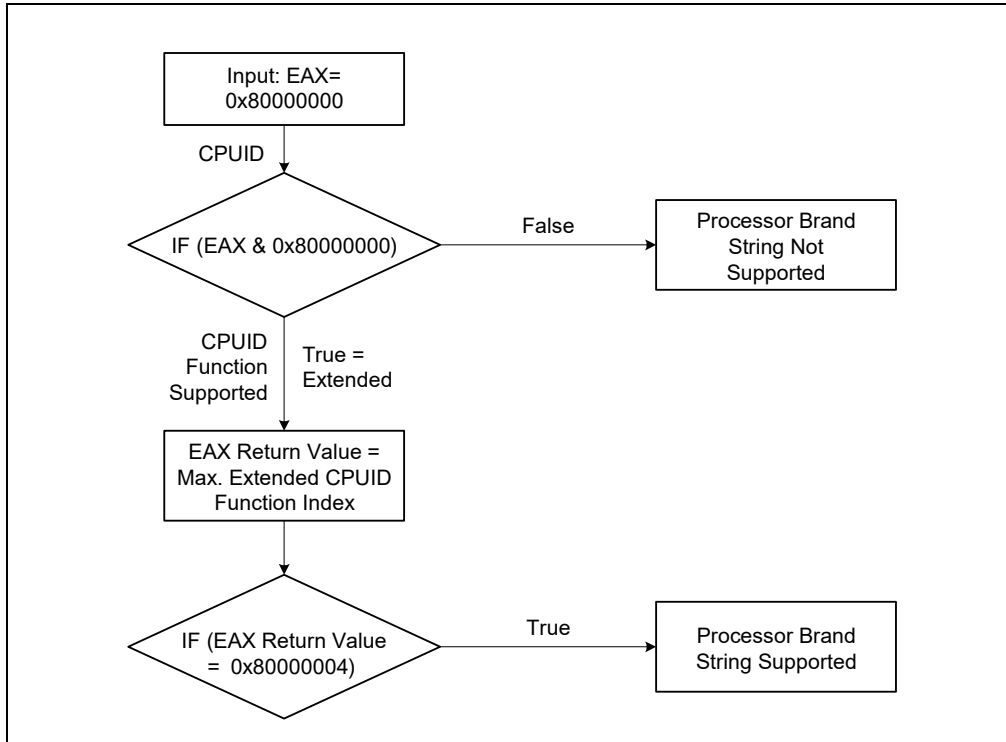


Figure 1-4. Determination of Support for the Processor Brand String

How Brand Strings Work

To use the brand string method, execute CPUID with EAX input of 8000002H through 80000004H. For each input value, CPUID returns 16 ASCII characters using EAX, EBX, ECX, and EDX. The returned string will be NULL-terminated.

Table 1-9 shows the brand string that is returned by the first processor in the Pentium 4 processor family.

Table 1-9. Processor Brand String Returned with Pentium 4 Processor

EAX Input Value	Return Values	ASCII Equivalent
80000002H	EAX = 20202020H EBX = 20202020H ECX = 20202020H EDX = 6E492020H	" " " " " " "nl "
80000003H	EAX = 286C6574H EBX = 50202952H ECX = 69746E65H EDX = 52286D75H	"(let" "P)R" "itne" "R(mu"
80000004H	EAX = 20342029H EBX = 20555043H ECX = 30303531H EDX = 007A484DH	" 4)" "UPC" "0051" "\0zHM"

Extracting the Maximum Processor Frequency from Brand Strings

Figure 1-5 provides an algorithm which software can use to extract the maximum processor operating frequency from the processor brand string.

NOTE

When a frequency is given in a brand string, it is the maximum qualified frequency of the processor, not the frequency at which the processor is currently running.

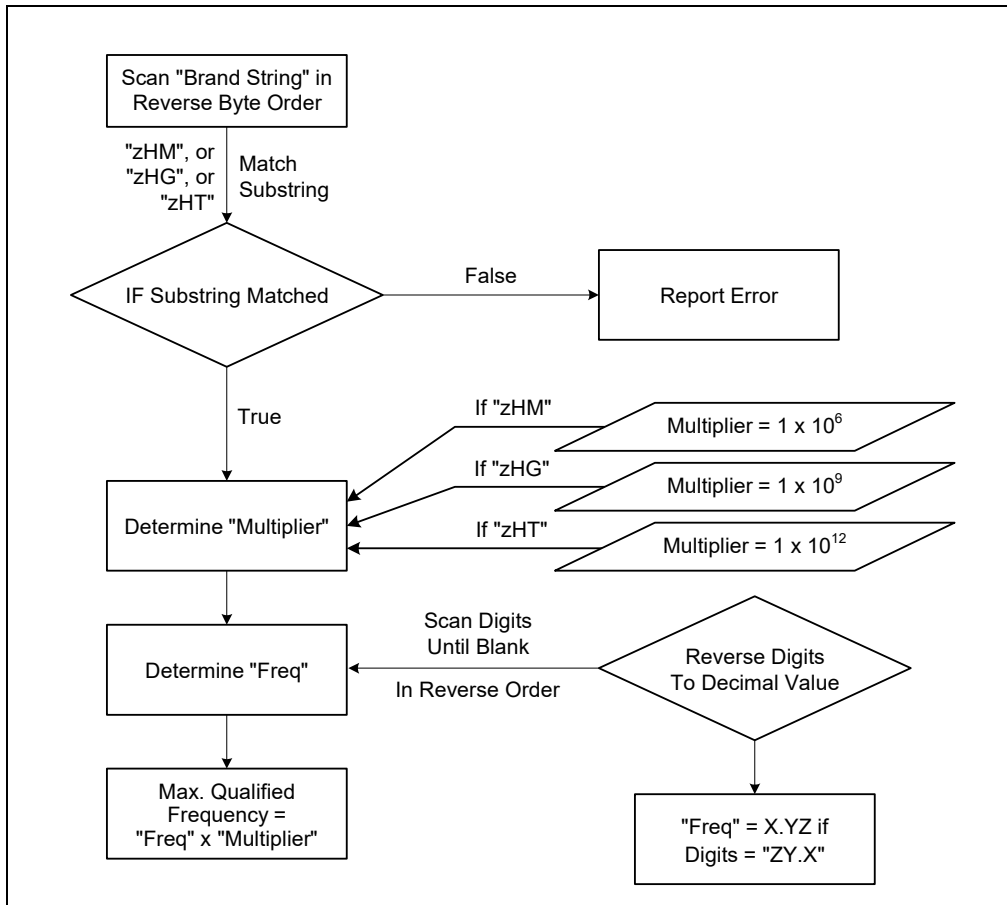


Figure 1-5. Algorithm for Extracting Maximum Processor Frequency

The Processor Brand Index Method

The brand index method (introduced with Pentium® III Xeon® processors) provides an entry point into a brand identification table that is maintained in memory by system software and is accessible from system- and user-level code. In this table, each brand index is associate with an ASCII brand identification string that identifies the official Intel family and model number of a processor.

When CPUID executes with EAX set to 01H, the processor returns a brand index to the low byte in EBX. Software can then use this index to locate the brand identification string for the processor in the brand identification table. The first entry (brand index 0) in this table is reserved, allowing for backward compatibility with processors that do not support the brand identification feature. Starting with processor signature family ID = 0FH, model = 03H, brand index method is no longer supported. Use brand string method instead.

Table 1-10 shows brand indices that have identification strings associated with them.

Table 1-10. Mapping of Brand Indices; and Intel 64 and IA-32 Processor Brand Strings

Brand Index	Brand String
00H	This processor does not support the brand identification feature
01H	Intel(R) Celeron(R) processor ¹
02H	Intel(R) Pentium(R) III processor ¹
03H	Intel(R) Pentium(R) III Xeon(R) processor; If processor signature = 000006B1h, then Intel(R) Celeron(R) processor
04H	Intel(R) Pentium(R) III processor
06H	Mobile Intel(R) Pentium(R) III processor-M
07H	Mobile Intel(R) Celeron(R) processor ¹
08H	Intel(R) Pentium(R) 4 processor
09H	Intel(R) Pentium(R) 4 processor
0AH	Intel(R) Celeron(R) processor ¹
0BH	Intel(R) Xeon(R) processor; If processor signature = 00000F13h, then Intel(R) Xeon(R) processor MP
0CH	Intel(R) Xeon(R) processor MP
0EH	Mobile Intel(R) Pentium(R) 4 processor-M; If processor signature = 00000F13h, then Intel(R) Xeon(R) processor
0FH	Mobile Intel(R) Celeron(R) processor ¹
11H	Mobile Genuine Intel(R) processor
12H	Intel(R) Celeron(R) M processor
13H	Mobile Intel(R) Celeron(R) processor ¹
14H	Intel(R) Celeron(R) processor
15H	Mobile Genuine Intel(R) processor
16H	Intel(R) Pentium(R) M processor
17H	Mobile Intel(R) Celeron(R) processor ¹
18H - 0FFH	RESERVED

NOTES:

1.Indicates versions of these processors that were introduced after the Pentium III

IA-32 Architecture Compatibility

CPUID is not supported in early models of the Intel486 processor or in any IA-32 processor earlier than the Intel486 processor.

Operation

IA32_BIOS_SIGN_ID MSR := Update with installed microcode revision number;

CASE (EAX) OF

EAX = 0:

EAX := Highest basic function input value understood by CPUID;

EBX := Vendor identification string;

EDX := Vendor identification string;

ECX := Vendor identification string;

BREAK;

EAX = 1H:

EAX[3:0] := Stepping ID;

EAX[7:4] := Model;
 EAX[11:8] := Family;
 EAX[13:12] := Processor type;
 EAX[15:14] := Reserved;
 EAX[19:16] := Extended Model;
 EAX[27:20] := Extended Family;
 EAX[31:28] := Reserved;
 EBX[7:0] := Brand Index; (* Reserved if the value is zero. *)
 EBX[15:8] := CLFLUSH Line Size;
 EBX[16:23] := Reserved; (* Number of threads enabled = 2 if MT enable fuse set. *)
 EBX[24:31] := Initial APIC ID;
 ECX := Feature flags; (* See Figure 1-2. *)
 EDX := Feature flags; (* See Figure 1-3. *)

BREAK;

EAX = 2H:

EAX := Cache and TLB information;
 EBX := Cache and TLB information;
 ECX := Cache and TLB information;
 EDX := Cache and TLB information;

BREAK;

EAX = 3H:

EAX := Reserved;
 EBX := Reserved;
 ECX := ProcessorSerialNumber[31:0];
 (* Pentium III processors only, otherwise reserved. *)
 EDX := ProcessorSerialNumber[63:32];
 (* Pentium III processors only, otherwise reserved. *)

BREAK

EAX = 4H:

EAX := Deterministic Cache Parameters Leaf; (* See Table 1-3. *)
 EBX := Deterministic Cache Parameters Leaf;
 ECX := Deterministic Cache Parameters Leaf;
 EDX := Deterministic Cache Parameters Leaf;

BREAK;

EAX = 5H:

EAX := MONITOR/MWAIT Leaf; (* See Table 1-3. *)
 EBX := MONITOR/MWAIT Leaf;
 ECX := MONITOR/MWAIT Leaf;
 EDX := MONITOR/MWAIT Leaf;

BREAK;

EAX = 6H:

EAX := Thermal and Power Management Leaf; (* See Table 1-3. *)
 EBX := Thermal and Power Management Leaf;
 ECX := Thermal and Power Management Leaf;
 EDX := Thermal and Power Management Leaf;

BREAK;

EAX = 7H:

EAX := Structured Extended Feature Leaf; (* See Table 1-3. *)
 EBX := Structured Extended Feature Leaf;
 ECX := Structured Extended Feature Leaf;
 EDX := Structured Extended Feature Leaf;

BREAK;

EAX = 8H:

EAX := Reserved = 0;

```

    EBX := Reserved = 0;
    ECX := Reserved = 0;
    EDX := Reserved = 0;
BREAK;
EAX = 9H:
    EAX := Direct Cache Access Information Leaf; (* See Table 1-3. *)
    EBX := Direct Cache Access Information Leaf;
    ECX := Direct Cache Access Information Leaf;
    EDX := Direct Cache Access Information Leaf;
BREAK;
EAX = AH:
    EAX := Architectural Performance Monitoring Leaf; (* See Table 1-3. *)
    EBX := Architectural Performance Monitoring Leaf;
    ECX := Architectural Performance Monitoring Leaf;
    EDX := Architectural Performance Monitoring Leaf;
    BREAK
EAX = BH:
    EAX := Extended Topology Enumeration Leaf; (* See Table 1-3. *)
    EBX := Extended Topology Enumeration Leaf;
    ECX := Extended Topology Enumeration Leaf;
    EDX := Extended Topology Enumeration Leaf;
BREAK;
EAX = CH:
    EAX := Reserved = 0;
    EBX := Reserved = 0;
    ECX := Reserved = 0;
    EDX := Reserved = 0;
BREAK;
EAX = DH:
    EAX := Processor Extended State Enumeration Leaf; (* See Table 1-3. *)
    EBX := Processor Extended State Enumeration Leaf;
    ECX := Processor Extended State Enumeration Leaf;
    EDX := Processor Extended State Enumeration Leaf;
BREAK;
EAX = EH:
    EAX := Reserved = 0;
    EBX := Reserved = 0;
    ECX := Reserved = 0;
    EDX := Reserved = 0;
BREAK;
EAX = FH:
    EAX := Platform Quality of Service Monitoring Enumeration Leaf; (* See Table 1-3. *)
    EBX := Platform Quality of Service Monitoring Enumeration Leaf;
    ECX := Platform Quality of Service Monitoring Enumeration Leaf;
    EDX := Platform Quality of Service Monitoring Enumeration Leaf;
BREAK;
EAX = 10H:
    EAX := Platform Quality of Service Enforcement Enumeration Leaf; (* See Table 1-3. *)
    EBX := Platform Quality of Service Enforcement Enumeration Leaf;
    ECX := Platform Quality of Service Enforcement Enumeration Leaf;
    EDX := Platform Quality of Service Enforcement Enumeration Leaf;
BREAK;
EAX = 12H:
    EAX := Intel SGX Enumeration Leaf; (* See Table 1-3. *)

```

```

    EBX := Intel SGX Enumeration Leaf;
    ECX := Intel SGX Enumeration Leaf;
    EDX := Intel SGX Enumeration Leaf;
BREAK;
EAX = 14H:
    EAX := Intel Processor Trace Enumeration Leaf; (* See Table 1-3. *)
    EBX := Intel Processor Trace Enumeration Leaf;
    ECX := Intel Processor Trace Enumeration Leaf;
    EDX := Intel Processor Trace Enumeration Leaf;
BREAK;
EAX = 15H:
    EAX := Time Stamp Counter and Core Crystal Clock Information Leaf; (* See Table 1-3. *)
    EBX := Time Stamp Counter and Core Crystal Clock Information Leaf;
    ECX := Time Stamp Counter and Core Crystal Clock Information Leaf;
    EDX := Time Stamp Counter and Core Crystal Clock Information Leaf;
BREAK;
EAX = 16H:
    EAX := Processor Frequency Information Enumeration Leaf; (* See Table 1-3. *)
    EBX := Processor Frequency Information Enumeration Leaf;
    ECX := Processor Frequency Information Enumeration Leaf;
    EDX := Processor Frequency Information Enumeration Leaf;
BREAK;
EAX = 17H:
    EAX := System-On-Chip Vendor Attribute Enumeration Leaf; (* See Table 1-3. *)
    EBX := System-On-Chip Vendor Attribute Enumeration Leaf;
    ECX := System-On-Chip Vendor Attribute Enumeration Leaf;
    EDX := System-On-Chip Vendor Attribute Enumeration Leaf;
BREAK;
EAX = 18H:
    EAX := Deterministic Address Translation Parameters Enumeration Leaf; (* See Table 1-3. *)
    EBX := Deterministic Address Translation Parameters Enumeration Leaf;
    ECX := Deterministic Address Translation Parameters Enumeration Leaf;
    EDX := Deterministic Address Translation Parameters Enumeration Leaf;
BREAK;
EAX = 1AH:
    EAX := Hybrid Information Enumeration Leaf; (* See Table 1-3. *)
    EBX := Hybrid Information Enumeration Leaf;
    ECX := Hybrid Information Enumeration Leaf;
    EDX := Hybrid Information Enumeration Leaf;
BREAK;
EAX = 1BH:
    EAX := PCONFIG Information Enumeration Leaf; (* See Table 1-3. *)
    EBX := PCONFIG Information Enumeration Leaf;
    ECX := PCONFIG Information Enumeration Leaf;
    EDX := PCONFIG Information Enumeration Leaf;
BREAK;
EAX = 1FH:
    EAX := V2 Extended Topology Enumeration Leaf; (* See Table 1-3. *)
    EBX := V2 Extended Topology Enumeration Leaf;
    ECX := V2 Extended Topology Enumeration Leaf;
    EDX := V2 Extended Topology Enumeration Leaf;
BREAK;
EAX = 80000000H:
    EAX := Highest extended function input value understood by CPUID;

```

EBX := Reserved;
 ECX := Reserved;
 EDX := Reserved;
 BREAK;
 EAX = 80000001H:
 EAX := Reserved;
 EBX := Reserved;
 ECX := Extended Feature Bits (* See Table 1-3.*);
 EDX := Extended Feature Bits (* See Table 1-3.*);
 BREAK;
 EAX = 80000002H:
 EAX := Processor Brand String;
 EBX := Processor Brand String, continued;
 ECX := Processor Brand String, continued;
 EDX := Processor Brand String, continued;
 BREAK;
 EAX = 80000003H:
 EAX := Processor Brand String, continued;
 EBX := Processor Brand String, continued;
 ECX := Processor Brand String, continued;
 EDX := Processor Brand String, continued;
 BREAK;
 EAX = 80000004H:
 EAX := Processor Brand String, continued;
 EBX := Processor Brand String, continued;
 ECX := Processor Brand String, continued;
 EDX := Processor Brand String, continued;
 BREAK;
 EAX = 80000005H:
 EAX := Reserved = 0;
 EBX := Reserved = 0;
 ECX := Reserved = 0;
 EDX := Reserved = 0;
 BREAK;
 EAX = 80000006H:
 EAX := Reserved = 0;
 EBX := Reserved = 0;
 ECX := Cache information;
 EDX := Reserved = 0;
 BREAK;
 EAX = 80000007H:
 EAX := Reserved = 0;
 EBX := Reserved = 0;
 ECX := Reserved = 0;
 EDX := Reserved = 0;
 BREAK;
 EAX = 80000008H:
 EAX := Reserved = 0;
 EBX := Reserved = 0;
 ECX := Reserved = 0;
 EDX := Reserved = 0;
 BREAK;
 DEFAULT: (* EAX = Value outside of recognized range for CPUID. *)
 (* If the highest basic information leaf data depend on ECX input value, ECX is honored.*)

EAX := Reserved; (* Information returned for highest basic information leaf. *)
EBX := Reserved; (* Information returned for highest basic information leaf. *)
ECX := Reserved; (* Information returned for highest basic information leaf. *)
EDX := Reserved; (* Information returned for highest basic information leaf. *)

BREAK;
ESAC;

Flags Affected

None.

Exceptions (All Operating Modes)

#UD If the LOCK prefix is used.

In earlier IA-32 processors that do not support the CPUID instruction, execution of the instruction results in an invalid opcode (#UD) exception being generated.§

1.6 COMPRESSED DISPLACEMENT (DISP8*N) SUPPORT IN EVEX

For memory addressing using disp8 form, EVEX-encoded instructions always use a compressed displacement scheme by multiplying disp8 in conjunction with a scaling factor N that is determined based on the vector length, the value of EVEX.b bit (embedded broadcast) and the input element size of the instruction. In general, the factor N corresponds to the number of bytes characterizing the internal memory operation of the input operand (e.g., 64 when the accessing a full 512-bit memory vector). The scale factor N is listed in Table 1-11 and Table 1-12 below, where EVEX encoded instructions are classified using the **tupletype** attribute. The scale factor N of each tupletype is listed based on the vector length (VL) and other factors affecting it.

Table 1-11 covers EVEX-encoded instructions which has a load semantic in conjunction with additional computational or data element movement operation, operating either on the full vector or half vector (due to conversion of numerical precision from a wider format to narrower format). EVEX.b is supported for such instructions for data element sizes which are either dword or qword.

EVEX-encoded instruction that are pure load/store, and “Load+op” instruction semantic that operate on data element size less than dword do not support broadcasting using EVEX.b. These are listed in Table 1-12. Table 1-12 also includes many broadcast instructions which perform broadcast using a subset of data elements without using EVEX.b. These instructions and a few data element size conversion instruction are covered in Table 1-12. Instruction classified in Table 1-12 do not use EVEX.b and EVEX.b must be 0, otherwise #UD will occur.

The tupletype will be referenced in the instruction operand encoding table in the reference page of each instruction, providing the cross reference for the scaling factor N to encoding memory addressing operand.

Note that the disp8*N rules still apply when using 16b addressing.

Table 1-11. Compressed Displacement (DISP8*N) Affected by Embedded Broadcast

TupleType	EVEX.b	InputSize	EVEX.W	Broadcast	N (VL=128)	N (VL=256)	N (VL= 512)	Comment
Full	0	32bit	0	none	16	32	64	Load+Op (Full Vector Dword/Qword)
	1	32bit	0	{1tox}	4	4	4	
	0	64bit	1	none	16	32	64	
	1	64bit	1	{1tox}	8	8	8	
Half	0	32bit	0	none	8	16	32	Load+Op (Half Vector)
	1	32bit	0	{1tox}	4	4	4	

Table 1-12. EVEX DISP8*N for Instructions Not Affected by Embedded Broadcast

TupleType	InputSize	EVEX.W	N (VL= 128)	N (VL= 256)	N (VL= 512)	Comment
Full Mem	N/A	N/A	16	32	64	Load/store or subDword full vector
Tuple1 Scalar	8bit	N/A	1	1	1	1 Tuple
	16bit	N/A	2	2	2	
	32bit	0	4	4	4	
	64bit	1	8	8	8	
Tuple1 Fixed	32bit	N/A	4	4	4	1 Tuple, memsize not affected by EVEX.W
	64bit	N/A	8	8	8	
Tuple1_4X	32bit	0	16 ¹	N/A	16	4FMA(PS)
Tuple2	32bit	0	8	8	8	Broadcast (2 elements)
	64bit	1	NA	16	16	
Tuple4	32bit	0	NA	16	16	Broadcast (4 elements)
	64bit	1	NA	NA	32	
Tuple8	32bit	0	NA	NA	32	Broadcast (8 elements)

Table 1-12. EVEX DISP8*N for Instructions Not Affected by Embedded Broadcast(Continued)

TupleType	InputSize	EVEX.W	N (VL= 128)	N (VL= 256)	N (VL= 512)	Comment
Half Mem	N/A	N/A	8	16	32	SubQword Conversion
Quarter Mem	N/A	N/A	4	8	16	SubDword Conversion
Eighth Mem	N/A	N/A	2	4	8	SubWord Conversion
Mem128	N/A	N/A	16	16	16	Shift count from memory
MOVDDUP	N/A	N/A	8	32	64	VMOVDDUP

NOTES:

1. Scalar

1.7 BFLOAT16 FLOATING-POINT FORMAT

Intel® Deep Learning Boost (Intel® DL Boost) uses bfloat16 format (BF16). Figure 1-6 illustrates BF16 versus FP16 and FP32.

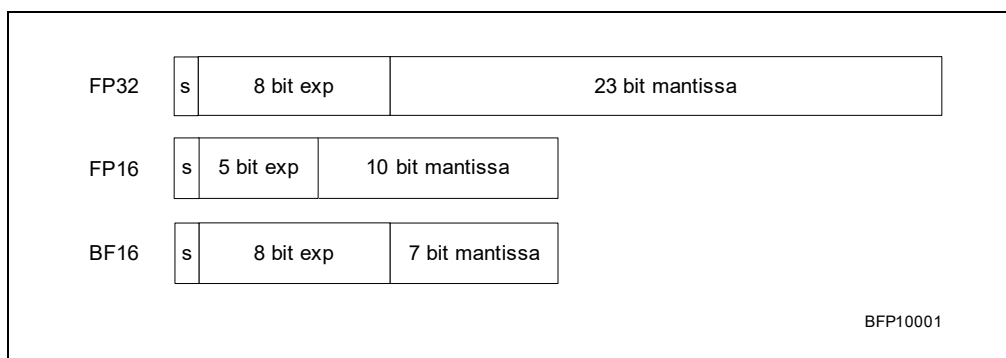


Figure 1-6. Comparison of BF16 to FP16 and FP32

BF16 has several advantages over FP16:

- It can be seen as a short version of FP32, skipping the least significant 16 bits of mantissa.
- There is no need to support denormals; FP32, and therefore also BF16, offer more than enough range for deep learning training tasks.
- FP32 accumulation after the multiply is essential to achieve sufficient numerical behavior on an application level.
- Hardware exception handling is not needed as this is a performance optimization; industry is designing algorithms around checking inf/NaN.

CHAPTER 2 INSTRUCTION SET REFERENCE, A-Z

Instructions described in this document follow the general documentation convention established in *Intel 64 and IA-32 Architectures Software Developer's Manual Volume 2A*.

2.1 INSTRUCTION SET REFERENCE

ENQCMD – Enqueue Command

Opcode/ Instruction	Op/ En	64/32 bit Mode Support	CPUID Feature Flag	Description
F2 0F 38 F8 /r ENQCMD r32/r64, m512	A	V/V	ENQCMD	Atomically enqueue 64-byte user command with PASID from source memory operand to destination offset in ES segment specified in register operand as offset in ES segment.

Instruction Operand Encoding

Op/En	Tuple	Operand 1	Operand 2	Operand 3	Operand 4
A	NA	ModRM:reg (w)	ModRM:r/m (r)	NA	NA

Description

The ENQCMD instruction allows software to write commands to **enqueue registers**, which are special device registers accessed using memory-mapped I/O (MMIO).

Enqueue registers expect writes to have the following format:

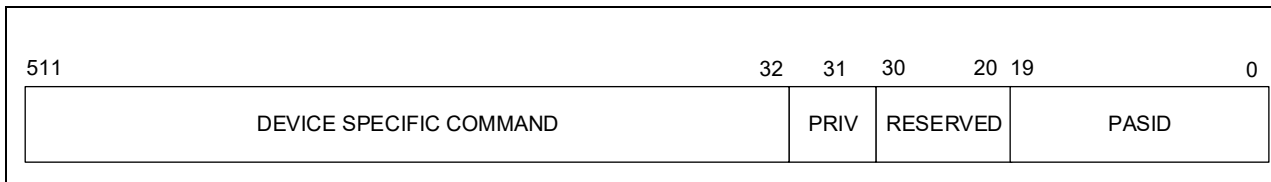


Figure 2-1. 64-Byte Data Written to Enqueue Registers

Bits 19:0 convey the process address space identifier (PASID), a value which system software may assign to individual software threads. Bit 31 contains privilege identification (0 = user; 1 = supervisor). Devices implementing enqueue registers may use these two values along with a device-specific command in the upper 60 bytes. Chapter 3 provides more details regarding how ENQCMD uses PASIDs.

The ENQCMD instruction begins by reading 64 bytes of command data from its source memory operand. (The source operand is a normal memory operand; ModR/M.mod \neq 11b.) This is an ordinary load with cacheability and memory ordering implied normally by the memory type. The source operand need not be aligned, and there is no guarantee that all 64 bytes are loaded atomically.

The instruction then formats those 64 bytes into **command data** with a format consistent with that given in Figure 2-1:

- Command[19:0] get IA32_PASID[19:0].¹
- Command[30:20] are zero.
- Command[31] is 0 (indicating user).
- Command[511:32] get bits 511:32 of the source operand that was read from memory.

(The instruction ignores bits 31:0 of the source operand.)

The ENQCMD instruction uses an **enqueue store** (defined below) to write **this** command data to the destination operand. The address of the destination operand is specified in a general-purpose register as an offset into the ES segment (the segment cannot be overridden).² The destination linear address must be 64-byte aligned. The operation of an enqueue store disregards the memory type of the destination memory address.

1. It is expected that system software will load the IA32_PASID MSR so that bits 19:0 contain the PASID of the current software thread. The MSR's valid bit, IA32_PASID[31], must be 1. The PASID MSR is discussed in more detail in Section 3.1.
2. In 64-bit mode, the width of the register operand is 64 bits (32 bits with a 67H prefix). Outside 64-bit mode when CS.D = 1, the width is 32 bits (16 bits with a 67H prefix). Outside 64-bit mode when CS.D=0, the width is 16 bits (32 bits with a 67H prefix).

An enqueue store is not ordered relative to older stores to WB or WC memory (including non-temporal stores) or to executions of the CLFLUSHOPT or CLWB (when applied to addresses other than that of the enqueue store). Software can enforce such ordering by executing a fencing instruction such as SFENCE or MFENCE before the enqueue store.

An enqueue store does not write the data into the cache hierarchy, nor does it fetch any data into the cache hierarchy. An enqueue store's command data is never combined with that of any other store to the same address.

Unlike other stores, an enqueue store returns a status, which the ENQCMD instruction loads into the ZF flag in the RFLAGS register:

- ZF = 0 (success) reports that the 64-byte command data was written atomically to a device's enqueue register and has been accepted by the device. (It does not guarantee that the device has acted on the command; it may have queued it for later execution.)
- ZF = 1 (retry) reports that the command data was not accepted. This status is returned if the destination address is an enqueue register but the command was not accepted due to capacity or other temporal reasons. This status is also returned if the destination address was not an enqueue register (including the case of a memory address); in these cases, the store is dropped and is written neither to MMIO nor to memory.

Availability of the ENQCMD instruction is indicated by the presence of the CPUID feature flag ENQCMD (CPUID.(EAX=07H, ECX=0H):ECX[bit 29]).

Operation

```
IF IA32_PASID[31] = 0
    THEN #GP;
ELSE
    COMMAND := (SRC & ~FFFFFFFFH) | (IA32_PASID & FFFFFFFH);
    DEST := COMMAND;
FI;
```

Intel C/C++ Compiler Intrinsic Equivalent

```
ENQCMD int_enqcmd(void *dst, const void *src)
```

Flags Affected

The ZF flag is set if the enqueue-store completion returns the retry status; otherwise it is cleared. All other flags are cleared.

SIMD Floating-Point Exceptions

None.

Protected Mode Exceptions

#GP(0)	For an illegal memory operand effective address in the CS, DS, ES, FS or GS segments. If destination linear address is not aligned to a 64-byte boundary. If the PASID Valid field (bit 31) is 0 in IA32_PASID MSR.
#SS(0)	For an illegal address in the SS segment.
#PF(fault-code)	For a page fault.
#UD	If CPUID.07H.0H:ECX.ENQCMD[bit 29] = 0. If the LOCK prefix is used.

Real-Address Mode Exceptions

#GP	If any part of the operand lies outside the effective address space from 0 to FFFFH. If destination linear address is not aligned to a 64-byte boundary. If the PASID Valid field (bit 31) is 0 in IA32_PASID MSR.
#UD	If CPUID.07H.0H:ECX.ENQCMD[bit 29] = 0. If the LOCK prefix is used.

Virtual-8086 Mode Exceptions

Same exceptions as in real address mode. Additionally:

#PF(fault-code) For a page fault.

Compatibility Mode Exceptions

Same exceptions as in protected mode.

64-Bit Mode Exceptions

#SS(0) If a memory address referencing the SS segment is in non-canonical form.

#GP(0) If the memory address is in non-canonical form.

If destination linear address is not aligned to a 64-byte boundary.

If the PASID Valid field (bit 31) is 0 in IA32_PASID MSR.

#PF(fault-code) For a page fault.

#UD If CPUID.07H.0H:ECX.ENQCMD[bit 29].

If the LOCK prefix is used.

ENQCMDS – Enqueue Command Supervisor

Opcode/ Instruction	Op/ En	64/32 bit Mode Support	CPUID Feature Flag	Description
F3 0F 38 F8 /r ENQCMDS r32/r64, m512	A	V/V	ENQCMD	Atomically enqueue 64-byte command from source memory operand to destination offset in ES segment specified in register operand as offset in ES segment.

Instruction Operand Encoding

Op/En	Tuple	Operand 1	Operand 2	Operand 3	Operand 4
A	NA	ModRM:reg (w)	ModRM:r/m (r)	NA	NA

Description

The ENQCMDS instruction allows system software to write commands to **enqueue registers**, which are special device registers accessed using memory-mapped I/O (MMIO).

Enqueue registers expect writes to have the format given in Figure 2-1 and explained in the section on “ENQCMD – Enqueue Command.”

The ENQCMDS instruction begins by reading 64 bytes of command data from its source memory operand. (The source operand is a normal memory operand; ModR/M.mod \neq 11b.) This is an ordinary load with cacheability and memory ordering implied normally by the memory type. The source operand need not be aligned, and there is no guarantee that all 64 bytes are loaded atomically.

ENQCMDS formats its source data differently from ENQCMD. Specifically, it formats them into **command data** as follows:

- Command[19:0] get bits 19:0 of the source operand that was read from memory. These 20 bits communicate a process address-space identifier (PASID). Chapter 3 provides more details regarding how ENQCMDS uses PASIDs.
- Command[30:20] are zero.
- Command[511:31] get bits 511:31 of the source operand that was read from memory. Bit 31 communicates a privilege identification (0 = user; 1 = supervisor).

(The instruction ignores bits 30:20 of the source operand.)

The ENQCMDS instruction then uses an **enqueue store** (defined below) to write **this** command data to the destination operand. The address of the destination operand is specified in a general-purpose register as an offset into the ES segment (the segment cannot be overridden).¹ The destination linear address must be 64-byte aligned. The operation of an enqueue store disregards the memory type of the destination memory address.

An enqueue store is not ordered relative to older stores to WB or WC memory (including non-temporal stores) or to executions of the CLFLUSHOPT or CLWB (when applied to addresses other than that of the enqueue store). Software can enforce such ordering by executing a fencing instruction such as SFENCE or MFENCE before the enqueue store.

An enqueue store does not write the data into the cache hierarchy, nor does it fetch any data into the cache hierarchy. An enqueue store’s command data is never combined with that of any other store to the same address.

Unlike other stores, an enqueue store returns a status, which the ENQCMDS instruction loads into the ZF flag in the RFLAGS register:

- ZF = 0 (success) reports that the 64-byte command data was written atomically to a device’s enqueue register and has been accepted by the device. (It does not guarantee that the device has acted on the command; it may have queued it for later execution.)

1. In 64-bit mode, the width of the register operand is 64 bits (32 bits with a 67H prefix). Outside 64-bit mode when CS.D = 1, the width is 32 bits (16 bits with a 67H prefix). Outside 64-bit mode when CS.D=0, the width is 16 bits (32 bits with a 67H prefix).

- ZF = 1 (retry) reports that the command data was not accepted. This status is returned if the destination address is an enqueue register but the command was not accepted due to capacity or other temporal reasons. This status is also returned if the destination address was not an enqueue register (including the case of a memory address); in these cases, the store is dropped and is written neither to MMIO nor to memory.

The ENQCMDS instruction may be executed only if CPL = 0. Availability of the ENQCMDS instruction is indicated by the presence of the CPUID feature flag ENQCMD (CPUID.(EAX=07H, ECX=0H):ECX[bit 29]).

Operation

```
DEST := SRC & ~7FF00000H;    // clear bits 30:20
```

Intel C/C++ Compiler Intrinsic Equivalent

```
ENQCMDS int_enqcmds(void *dst, const void *src)
```

Flags Affected

The ZF flag is set if the enqueue-store completion returns the retry status; otherwise it is cleared. All other flags are cleared.

SIMD Floating-Point Exceptions

None.

Protected Mode Exceptions

#GP(0)	For an illegal memory operand effective address in the CS, DS, ES, FS or GS segments. If destination linear address is not aligned to a 64-byte boundary. If the current privilege level is not 0.
#SS(0)	For an illegal address in the SS segment.
#PF(fault-code)	For a page fault.
#UD	If CPUID.07H.0H:ECX.ENQCMD[bit 29] = 0. If the LOCK prefix is used.

Real-Address Mode Exceptions

#GP	If any part of the operand lies outside the effective address space from 0 to FFFFH. If destination linear address is not aligned to a 64-byte boundary.
#UD	If CPUID.07H.0H:ECX.ENQCMD[bit 29] = 0. If the LOCK prefix is used.

Virtual-8086 Mode Exceptions

#GP(0)	The ENQCMDS instruction is not recognized in virtual-8086 mode.
--------	---

Compatibility Mode Exceptions

Same exceptions as in protected mode.

64-Bit Mode Exceptions

#SS(0)	If a memory address referencing the SS segment is in non-canonical form.
#GP(0)	If the memory address is in non-canonical form. If destination linear address is not aligned to a 64-byte boundary. If the current privilege level is not 0.
#PF(fault-code)	For a page fault.
#UD	If CPUID.07H.0H:ECX.ENQCMD[bit 29]. If the LOCK prefix is used.

PCONFIG – Platform Configuration

Opcode/ Instruction	Op/ En	64/32 bit Mode Support	CPUID Feature Flag	Description
NP 0F 01 C5 PCONFIG	A	V/V	PCONFIG	This instruction is used to execute functions for configuring platform features. EAX: Leaf function to be invoked. RBX/RCX/RDX: Leaf-specific purpose.

Instruction Operand Encoding

Op/En	Tuple	Operand 1	Operand 2	Operand 3	Operand 4
A	NA	NA	NA	NA	NA

Description

PCONFIG allows software to configure certain platform features. PCONFIG supports multiple leaf functions, with a leaf function identified by the value in EAX. The registers RBX, RCX, and RDX have leaf-specific purposes.

Each PCONFIG leaf function applies to a specific hardware block called a PCONFIG target, and each PCONFIG target is associated with a numerical identifier. The identifiers of the PCONFIG targets supported by the CPU (which imply the supported leaf functions) are enumerated in the sub-leaves of the PCONFIG-information leaf of CPUID (EAX = 1BH). An attempt to execute an undefined leaf function results in a general-protection exception (#GP).

Addresses and operands are 32 bits outside 64-bit mode (IA32_EFER.LMA = 0 || CS.L = 0) and are 64 bits in 64-bit mode (IA32_EFER.LMA = 1 && CS.L = 1). The value of CS.D has no effect on address calculation.

Table 2-1 shows the leaf encodings for PCONFIG.

Table 2-1. PCONFIG Leaf Encodings

Leaf	Encoding	Description
MKTME_KEY_PROGRAM	00000000H	This leaf is used to program the key and encryption mode associated with a KeyID.
RESERVED	00000001H - FFFFFFFFH	Reserved for future use (#GP(0) if used).

The MKTME_KEY_PROGRAM leaf of PCONFIG pertains to the MKTME target, which has target identifier 1. It is used by software to manage the key associated with a KeyID. The leaf function is invoked by setting the leaf value of 0 in EAX and the address of MKTME_KEY_PROGRAM_STRUCT in RBX. Successful execution of the leaf clears RAX (set to zero) and ZF, CF, PF, AF, OF, and SF are cleared. In case of failure, the failure reason is indicated in RAX with ZF set to 1 and CF, PF, AF, OF, and SF are cleared. The MKTME_KEY_PROGRAM leaf uses the MKTME_KEY_PROGRAM_STRUCT in memory shown in Table 2-2.

Table 2-2. MKTME_KEY_PROGRAM_STRUCT Format

Field	Offset (bytes)	Size (bytes)	Comments
KEYID	0	2	Key Identifier.
KEYID_CTRL	2	4	KeyID control: <ul style="list-style-type: none"> ▪ Bits [7:0]: COMMAND. ▪ Bits [23:8]: ENC_ALG. ▪ Bits [31:24]: Reserved, must be zero.
RESERVED	6	58	Reserved, must be zero.
KEY_FIELD_1	64	64	Software supplied KeyID data key or entropy for KeyID data key.
KEY_FIELD_2	128	64	Software supplied KeyID tweak key or entropy for KeyID tweak key.

A description of each of the fields in MKTME_KEY_PROGRAM_STRUCT is provided below:

- **KEYID:** Key Identifier being programmed to the MKTME engine.
- **KEYID_CTRL:** The KEYID_CTRL field carries two sub-fields used by software to control the behavior of a KeyID: Command and KeyID encryption algorithm.

The command used controls the encryption mode for a KeyID. Table 2-3 provides a summary of the commands supported.

Table 2-3. Supported Key Programming Commands

Command	Encoding	Description
KEYID_SET_KEY_DIRECT	0	Software uses this mode to directly program a key for use with KeyID.
KEYID_SET_KEY_RANDOM	1	CPU generates and assigns an ephemeral key for use with a KeyID. Each time the instruction is executed, the CPU generates a new key using a hardware random number generator and the keys are discarded on reset.
KEYID_CLEAR_KEY	2	Clear the (software programmed) key associated with the KeyID. On execution of this command, the KeyID gets TME behavior (encrypt with platform TME key).
KEYID_NO_ENCRYPT	3	Do not encrypt memory when this KeyID is in use.

The encryption algorithm field (ENC_ALG) allows software to select one of the activated encryption algorithms for the KeyID. The BIOS can activate a set of algorithms to allow for use when programming keys using the IA32_TME_ACTIVATE MSR (does not apply to KeyID 0 which uses TME policy). The processor checks to ensure that the algorithm selected by software is one of the algorithms that has been activated by the BIOS.

- **KEY_FIELD_1:** This field carries the software supplied data key to be used for the KeyID if the direct key programming option is used (KEYID_SET_KEY_DIRECT). When the random key programming option is used (KEYID_SET_KEY_RANDOM), this field carries the software supplied entropy to be mixed in the CPU generated random data key. It is software's responsibility to ensure that the key supplied for the direct programming option or the entropy supplied for the random programming option does not result in weak keys. There are no explicit checks in the instruction to detect or prevent weak keys. When AES XTS-128 is used, the upper 48B are treated as reserved and must be zeroed out by software before executing the instruction.
- **KEY_FIELD_2:** This field carries the software supplied tweak key to be used for the KeyID if the direct key programming option is used (KEYID_SET_KEY_DIRECT). When the random key programming option is used (KEYID_SET_KEY_RANDOM), this field carries the software supplied entropy to be mixed in the CPU generated random tweak key. It is software's responsibility to ensure that the key supplied for the direct programming option or the entropy supplied for the random programming option does not result in weak keys. There are no explicit checks in the instruction to detect or prevent weak keys. When AES XTS-128 is used, the upper 48B are treated as reserved and must be zeroed out by software before executing the instruction.

All KeyIDs use the TME key on MKTME activation. Software can at any point decide to change the key for a KeyID using the PCONFIG instruction. Change of keys for a KeyID does NOT change the state of the TLB caches or memory pipeline. It is software's responsibility to take appropriate actions to ensure correct behavior.

Table 2-4 shows the return values associated with the MKTME_KEY_PROGRAM leaf of PCONFIG. On instruction execution, RAX is populated with the return value.

Table 2-4. Supported Key Error Codes

Return Value	Encoding	Description
PROG_SUCCESS	0	KeyID was successfully programmed.
INVALID_PROG_CMD	1	Invalid KeyID programming command.
ENTROPY_ERROR	2	Insufficient entropy.
INVALID_KEYID	3	KeyID not valid.
INVALID_ENC_ALG	4	Invalid encryption algorithm chosen (not supported).
DEVICE_BUSY	5	Failure to access key table.

PCONFIG Virtualization

Software in VMX root **operation** can control the execution of PCONFIG in VMX non-root **operation** using the following VM-execution controls introduced for PCONFIG:

- PCONFIG_ENABLE: This control is a single bit control and enables the PCONFIG instruction in VMX non-root **operation**. If 0, the execution of PCONFIG in VMX non-root **operation** causes #UD. Otherwise, execution of PCONFIG works according to PCONFIG_EXITING.
- PCONFIG_EXITING: This is a 64b control and allows VMX root **operation** to cause a VM-exit for various leaf functions of PCONFIG. This control does not have any effect if the PCONFIG_ENABLE control is clear.

PCONFIG Concurrency

In a scenario where the MKTME_KEY_PROGRAM leaf of PCONFIG is executed concurrently on multiple logical processors, only one logical processor will succeed in updating the key table. PCONFIG execution will return with an error code (DEVICE_BUSY) on other logical processors and software must retry. In cases where the instruction execution fails with a DEVICE_BUSY error code, the key table is not updated, thereby ensuring that either the key table is updated in its entirety with the information for a KeyID, or it is not updated at all. In order to accomplish this, the MKTME_KEY_PROGRAM leaf of PCONFIG maintains a writer lock for updating the key table. This lock is referred to as the Key table lock and denoted in the instruction flows as KEY_TABLE_LOCK. The lock can either be unlocked, when no logical processor is holding the lock (also the initial state of the lock) or be in an exclusive state where a logical processor is trying to update the key table. There can be only one logical processor holding the lock in exclusive state. The lock, being exclusive, can only be acquired when the lock is in unlocked state.

PCONFIG uses the following syntax to acquire KEY_TABLE_LOCK in exclusive mode and release the lock:

- KEY_TABLE_LOCK.ACQUIRE(WRITE)
- KEY_TABLE_LOCK.RELEASE()

Operation

Table 2-5. PCONFIG Operation Variables

Variable Name	Type	Size (Bytes)	Description
TMP_KEY_PROGRAM_STRUCT	MKTME_KEY_PROGRAM_STRUCT	192	Structure holding the key programming structure.
TMP_RND_DATA_KEY	UINT128	16	Random data key generated for random key programming option.
TMP_RND_TWEAK_KEY	UINT128	16	Random tweak key generated for random key programming option.

(* #UD if PCONFIG is not enumerated or CPL>0 *)

IF (CPUID.7.0:EDX[18] == 0 OR CPL > 0) #UD;

IF (in VMX non-root mode)

```
{
  IF (VMCS.PCONFIG_ENABLE == 1)
  {
    IF ((EAX > 62 AND VMCS.PCONFIG_EXITING[63] == 1) OR
        (EAX < 63 AND VMCS.PCONFIG_EXITING[EAX] == 1))
    {
      Set VMCS.EXIT_REASON = PCONFIG; //No Exit qualification
      Deliver VMEXIT;
    }
  }
  ELSE
  {
    #UD
  }
}
```

```

}
}

(* #GP(0) for an unsupported leaf *)
IF (EAX != 0) #GP(0)

(* KEY_PROGRAM leaf flow *)
IF (EAX == 0)
{
  (* #GP(0) if TME_ACTIVATE MSR is not locked or does not enable TME or multiple keys are not enabled *)
  IF (IA32_TME_ACTIVATE.LOCK != 1 OR IA32_TME_ACTIVATE.ENABLE != 1 OR IA32_TME_ACTIVATE.MK_TME_KEYID_BITS == 0)
  #GP(0)

  (* Check MKTME_KEY_PROGRAM_STRUCT is 256B aligned *)
  IF (DS:RBX is not 256B aligned) #GP(0);

  (* Check that MKTME_KEY_PROGRAM_STRUCT is read accessible *)
  <<DS: RBX should be read accessible>>

  (* Copy MKTME_KEY_PROGRAM_STRUCT to a temporary variable *)
  TMP_KEY_PROGRAM_STRUCT = DS:RBX.*;

  (* RSVD field check *)
  IF (TMP_KEY_PROGRAM_STRUCT.RSVD != 0) #GP(0);

  IF (TMP_KEY_PROGRAM_STRUCT.KEYID_CTRL.RSVD != 0) #GP(0);

  IF (TMP_KEY_PROGRAM_STRUCT.KEY_FIELD_1.BYTES[63:16] != 0) #GP(0);

  IF (TMP_KEY_PROGRAM_STRUCT.KEY_FIELD_2.BYTES[63:16] != 0) #GP(0);

  (* Check for a valid command *)
  IF (TMP_KEY_PROGRAM_STRUCT.KEYID_CTRL.COMMAND is not a valid command)
  {
    RFLAGS.ZF = 1;
    RAX = INVALID_PROG_CMD;
    goto EXIT;
  }

  (* Check that the KEYID being operated upon is a valid KEYID *)
  IF (TMP_KEY_PROGRAM_STRUCT.KEYID >
      2^IA32_TME_ACTIVATE.MK_TME_KEYID_BITS - 1
      OR TMP_KEY_PROGRAM_STRUCT.KEYID >
      IA32_TME_CAPABILITY.MK_TME_MAX_KEYS
      OR TMP_KEY_PROGRAM_STRUCT.KEYID == 0)
  {
    RFLAGS.ZF = 1;
    RAX = INVALID_KEYID;
    goto EXIT;
  }

  (* Check that only one algorithm is requested for the KeyID and it is one of the activated algorithms *)
  IF (NUM_BITS(TMP_KEY_PROGRAM_STRUCT.KEYID_CTRL.ENC_ALG) != 1 ||
      (TMP_KEY_PROGRAM_STRUCT.KEYID_CTRL.ENC_ALG &
       IA32_TME_ACTIVATE.MK_TME_CRYPTO_ALGS == 0))

```

```

{
    RFLAGS.ZF = 1;
    RAX = INVALID_ENC_ALG;
    goto EXIT;
}
(* Try to acquire exclusive lock *)
IF (NOT KEY_TABLE_LOCK.ACQUIRE(WRITE))
{
    //PCONFIG failure
    RFLAGS.ZF = 1;
    RAX = DEVICE_BUSY;
    goto EXIT;
}

(* Lock is acquired and key table will be updated as per the command
   Before this point no changes to the key table are made *)

switch(TMP_KEY_PROGRAM_STRUCT.KEYID_CTRL.COMMAND)
{
case KEYID_SET_KEY_DIRECT:
    <<Write
        DATA_KEY=TMP_KEY_PROGRAM_STRUCT.KEY_FIELD_1,
        TWEAK_KEY=TMP_KEY_PROGRAM_STRUCT.KEY_FIELD_2,
        ENCRYPTION_MODE=ENCRYPT_WITH_KEYID_KEY,
        to MKTME Key table at index TMP_KEY_PROGRAM_STRUCT.KEYID
    >>
    break;

case KEYID_SET_KEY_RANDOM:
    TMP_RND_DATA_KEY = <<Generate a random key using hardware RNG>>
    IF (NOT ENOUGH_ENTROPY)
    {
        RFLAGS.ZF = 1;
        RAX = ENTROPY_ERROR;
        goto EXIT;
    }
    TMP_RND_TWEAK_KEY = <<Generate a random key using hardware RNG>>
    IF (NOT ENOUGH_ENTROPY)
    {
        RFLAGS.ZF = 1;
        RAX = ENTROPY_ERROR;
        goto EXIT;
    }
    (* Mix user supplied entropy to the data key and tweak key *)
    TMP_RND_DATA_KEY = TMP_RND_KEY XOR
        TMP_KEY_PROGRAM_STRUCT.KEY_FIELD_1.BYTES[15:0];
    TMP_RND_TWEAK_KEY = TMP_RND_TWEAK_KEY XOR
        TMP_KEY_PROGRAM_STRUCT.KEY_FIELD_2.BYTES[15:0];

    <<Write
        DATA_KEY=TMP_RND_DATA_KEY,
        TWEAK_KEY=TMP_RND_TWEAK_KEY,
        ENCRYPTION_MODE=ENCRYPT_WITH_KEYID_KEY,
        to MKTME_KEY_TABLE at index TMP_KEY_PROGRAM_STRUCT.KEYID

```

```

    >>
    break;

case KEYID_CLEAR_KEY:
    <<Write
    DATA_KEY=0,
    TWEAK_KEY=0,
    ENCRYPTION_MODE = ENCRYPT_WITH_TME_KEY,
    to MKTME_KEY_TABLE at index TMP_KEY_PROGRAM_STRUCT.KEYID
    >>

    break;
case KD_NO_ENCRYPT:
    <<Write
    ENCRYPTION_MODE=NO_ENCRYPTION,
    to MKTME_KEY_TABLE at index TMP_KEY_PROGRAM_STRUCT.KEYID
    >>
    break;
}

RAX = 0;
RFLAGS.ZF = 0;

//Release Lock
KEY_TABLE_LOCK(RELEASE);

EXIT:
RFLAGS.CF=0;
RFLAGS.PF=0;
RFLAGS.AF=0;
RFLAGS.OF=0;
RFLAGS.SF=0;
}

end_of_flow

```

Intel C/C++ Compiler Intrinsic Equivalent

TBD

Protected Mode Exceptions

#GP(0)	<p>If input value in EAX encodes an unsupported leaf.</p> <p>If IA32_TME_ACTIVATE MSR is not locked.</p> <p>If TME and MKTME capability are not enabled in IA32_TME_ACTIVATE MSR.</p> <p>If the memory operand is not 256B aligned.</p> <p>If any of the reserved bits in MKTME_KEY_PROGRAM_STRUCT are set.</p> <p>If a memory operand effective address is outside the DS segment limit.</p>
#PF(fault-code)	If a page fault occurs in accessing memory operands.
#UD	<p>If any of the LOCK/REP/OSIZE/VEX prefixes are used.</p> <p>If current privilege level is not 0.</p> <p>If CPUID.7.0:EDX[bit 18] = 0</p> <p>If in VMX non-root mode and VMCS.PCONFIG_ENABLE = 0.</p>

Real Address Mode Exceptions

#GP	<p>If input value in EAX encodes an unsupported leaf.</p> <p>If IA32_TME_ACTIVATE MSR is not locked.</p> <p>If TME and MKTME capability is not enabled in IA32_TME_ACTIVATE MSR.</p> <p>If a memory operand is not 256B aligned.</p> <p>If any of the reserved bits in MKTME_KEY_PROGRAM_STRUCT are set.</p>
#UD	<p>If any of the LOCK/REP/OSIZE/VEX prefixes are used.</p> <p>If current privilege level is not 0.</p> <p>If CPUID.7.0:EDX.PCONFIG[bit 18] = 0</p> <p>If in VMX non-root mode and VMCS.PCONFIG_ENABLE = 0.</p>

Virtual 8086 Mode Exceptions

#UD	PCONFIG instruction is not recognized in virtual-8086 mode.
-----	---

Compatibility Mode Exceptions

Same exceptions as in protected mode.

64-Bit Mode Exceptions

#GP(0)	<p>If input value in EAX encodes an unsupported leaf.</p> <p>If IA32_TME_ACTIVATE MSR is not locked.</p> <p>If TME and MKTME capability is not enabled in IA32_TME_ACTIVATE MSR.</p> <p>If a memory operand is not 256B aligned.</p> <p>If any of the reserved bits in MKTME_KEY_PROGRAM_STRUCT are set.</p> <p>If a memory operand is non-canonical form.</p>
#PF(fault-code)	If a page fault occurs in accessing memory operands.
#UD	<p>If any of the LOCK/REP/OSIZE/VEX prefixes are used.</p> <p>If the current privilege level is not 0.</p> <p>If CPUID.7.0:EDX.PCONFIG[bit 18] = 0.</p> <p>If in VMX non-root mode and VMCS.PCONFIG_ENABLE = 0.</p>

SERIALIZE – Serialize Instruction Execution

Opcode/ Instruction	Op/ En	64/32 bit Mode Support	CPUID Feature Flag	Description
NP OF 01 E8 SERIALIZE	Z0	V/V	SERIALIZE	Serialize instruction fetch and execution.

Instruction Operand Encoding

Op/En	Tuple	Operand 1	Operand 2	Operand 3	Operand 4
Z0	NA	NA	NA	NA	NA

Description

Serializes instruction execution. Before the next instruction is fetched and executed, the SERIALIZE instruction ensures that all modifications to flags, registers, and memory by previous instructions are completed, draining all buffered writes to memory. This instruction is also a serializing instruction as defined in the section “Serializing Instructions” in Chapter 8 of the *Intel® 64 and IA-32 Architectures Software Developer’s Manual, Volume 3A*.

SERIALIZE does not modify registers, arithmetic flags or memory.

The availability of the SERIALIZE instruction is indicated by the presence of the CPUID feature flag SERIALIZE, bit 14 of the EDX register in sub-leaf CPUID:7H.0H.

Operation

Wait_On_Fetch_And_Execution_Of_Next_Instruction_Until(preceding_instructions_complete_and_preceding_stores_globally_visible);

Intel C/C++ Compiler Intrinsic Equivalent

SERIALIZE void _serialize(void);

SIMD Floating-Point Exceptions

None.

Other Exceptions

#UD If the LOCK prefix is used.

VCVTNE2PS2BF16 – Convert Two Packed Single Data to One Packed BF16 Data

Opcode/ Instruction	Op/ En	64/32 bit Mode Support	CPUID Feature Flag	Description
EVEX.128.F2.0F38.W0 72 /r VCVTNE2PS2BF16 xmm1{k1}{z}, xmm2, xmm3/m128/m32bcst	A	V/V	AVX512VL AVX512_BF16	Convert packed single data from xmm2 and xmm3/m128/m32bcst to packed BF16 data in xmm1 with writemask k1.
EVEX.256.F2.0F38.W0 72 /r VCVTNE2PS2BF16 ymm1{k1}{z}, ymm2, ymm3/m256/m32bcst	A	V/V	AVX512VL AVX512_BF16	Convert packed single data from ymm2 and ymm3/m256/m32bcst to packed BF16 data in ymm1 with writemask k1.
EVEX.512.F2.0F38.W0 72 /r VCVTNE2PS2BF16 zmm1{k1}{z}, zmm2, zmm3/m512/m32bcst	A	V/V	AVX512F AVX512_BF16	Convert packed single data from zmm2 and zmm3/m512/m32bcst to packed BF16 data in zmm1 with writemask k1.

Instruction Operand Encoding

Op/En	Tuple	Operand 1	Operand 2	Operand 3	Operand 4
A	Full	ModRM:reg (w)	EVEX.vvvv (r)	ModRM:r/m (r)	NA

Description

Converts two SIMD registers of packed single data into a single register of packed BF16 data.

This instruction does not support memory fault suppression.

This instruction uses “Round to nearest (even)” rounding mode. Output denormals are always flushed to zero and input denormals are always treated as zero. MXCSR is not consulted nor updated. **No floating-point exceptions are generated.**

Operation

VCVTNE2PS2BF16 dest, src1, src2

VL = (128, 256, 512)

KL = VL/16

origdest := dest

FOR i := 0 to KL-1:

 IF k1[i] or *no writemask*:

 IF i < KL/2:

 IF src2 is memory and evex.b == 1:

 t := src2.fp32[0]

 ELSE:

 t := src2.fp32[i]

 ELSE:

 t := src1.fp32[i-KL/2]

 // See VCVTNEPS2BF16 for definition of convert helper function

 dest.word[i] := convert_fp32_to_bfloat16(t)

 ELSE IF *zeroing*:

 dest.word[i] := 0

 ELSE: // Merge masking, dest element unchanged

 dest.word[i] := origdest.word[i]

DEST[MAXVL-1:VL] := 0

Intel C/C++ Compiler Intrinsic Equivalent

VCVTNE2PS2BF16 __m128bh __mm_cvtne2ps_pbh (__m128, __m128);
VCVTNE2PS2BF16 __m128bh __mm_mask_cvtne2ps_pbh (__m128bh, __mmask8, __m128, __m128);
VCVTNE2PS2BF16 __m128bh __mm_maskz_cvtne2ps_pbh (__mmask8, __m128, __m128);
VCVTNE2PS2BF16 __m256bh __mm256_cvtne2ps_pbh (__m256, __m256);
VCVTNE2PS2BF16 __m256bh __mm256_mask_cvtne2ps_pbh (__m256bh, __mmask16, __m256, __m256);
VCVTNE2PS2BF16 __m256bh __mm256_maskz_cvtne2ps_pbh (__mmask16, __m256, __m256);
VCVTNE2PS2BF16 __m512bh __mm512_cvtne2ps_pbh (__m512, __m512);
VCVTNE2PS2BF16 __m512bh __mm512_mask_cvtne2ps_pbh (__m512bh, __mmask32, __m512, __m512);
VCVTNE2PS2BF16 __m512bh __mm512_maskz_cvtne2ps_pbh (__mmask32, __m512, __m512);

SIMD Floating-Point Exceptions

None.

Other Exceptions

See Exceptions Type E4NF.

VCVTNEPS2BF16 – Convert Packed Single Data to Packed BF16 Data

Opcode/ Instruction	Op/ En	64/32 bit Mode Support	CPUID Feature Flag	Description
EVEX.128.F3.0F38.W0 72 /r VCVTNEPS2BF16 xmm1{k1}{z}, xmm2/m128/m32bcst	A	V/V	AVX512VL AVX512_BF16	Convert packed single data from xmm2/m128 to packed BF16 data in xmm1 with writemask k1.
EVEX.256.F3.0F38.W0 72 /r VCVTNEPS2BF16 xmm1{k1}{z}, ymm2/m256/m32bcst	A	V/V	AVX512VL AVX512_BF16	Convert packed single data from ymm2/m256 to packed BF16 data in xmm1 with writemask k1.
EVEX.512.F3.0F38.W0 72 /r VCVTNEPS2BF16 ymm1{k1}{z}, zmm2/m512/m32bcst	A	V/V	AVX512F AVX512_BF16	Convert packed single data from zmm2/m512 to packed BF16 data in ymm1 with writemask k1.

Instruction Operand Encoding

Op/En	Tuple	Operand 1	Operand 2	Operand 3	Operand 4
A	Full	ModRM:reg (w)	ModRM:r/m (r)	NA	NA

Description

Converts one SIMD register of packed single data into a single register of packed BF16 data.

This instruction uses “Round to nearest (even)” rounding mode. Output denormals are always flushed to zero and input denormals are always treated as zero. MXCSR is not consulted nor updated.

As the instruction operand encoding table shows, the EVEX.vvvv field is not used for encoding an operand. EVEX.vvvv is reserved and must be 0b1111 otherwise instructions will #UD.

Operation

Define `convert_fp32_to_bfloat16(x)`:

IF x is zero or denormal:

dest[15] := x[31] // sign preserving zero (denormal go to zero)

dest[14:0] := 0

ELSE IF x is infinity:

dest[15:0] := x[31:16]

ELSE IF x is NAN:

dest[15:0] := x[31:16] // truncate and set MSB of the mantissa to force QNAN

dest[6] := 1

ELSE // normal number

LSB := x[16]

rounding_bias := 0x00007FFF + LSB

temp[31:0] := x[31:0] + rounding_bias // integer add

dest[15:0] := temp[31:16]

RETURN dest

VCVTNEPS2BF16 dest, src

VL = (128, 256, 512)

KL = VL/16

origdest := dest

FOR i := 0 to KL/2-1:

IF k1[i] or *no writemask*:

IF src is memory and evex.b == 1:

t := src.fp32[0]

ELSE:

t := src.fp32[i]

dest.word[i] := convert_fp32_to_bfloat16(t)

ELSE IF *zeroing*:

dest.word[i] := 0

ELSE: // Merge masking, dest element unchanged

dest.word[i] := origdest.word[i]

DEST[MAXVL-1:VL/2] := 0

Intel C/C++ Compiler Intrinsic Equivalent

VCVTNEPS2BF16 __m128bh __mm_cvtneps_pbh (__m128);

VCVTNEPS2BF16 __m128bh __mm_mask_cvtneps_pbh (__m128bh, __mmask8, __m128);

VCVTNEPS2BF16 __m128bh __mm_maskz_cvtneps_pbh (__mmask8, __m128);

VCVTNEPS2BF16 __m128bh __mm256_cvtneps_pbh (__m256);

VCVTNEPS2BF16 __m128bh __mm256_mask_cvtneps_pbh (__m128bh, __mmask8, __m256);

VCVTNEPS2BF16 __m128bh __mm256_maskz_cvtneps_pbh (__mmask8, __m256);

VCVTNEPS2BF16 __m256bh __mm512_cvtneps_pbh (__m512);

VCVTNEPS2BF16 __m256bh __mm512_mask_cvtneps_pbh (__m256bh, __mmask16, __m512);

VCVTNEPS2BF16 __m256bh __mm512_maskz_cvtneps_pbh (__mmask16, __m512);

SIMD Floating-Point Exceptions

None.

Other Exceptions

See Exceptions Type E4.

VDPBF16PS – Dot Product of BF16 Pairs Accumulated into Packed Single Precision

Opcode/ Instruction	Op/ En	64/32 bit Mode Support	CPUID Feature Flag	Description
EVEX.128.F3.0F38.W0 52 /r VDPBF16PS xmm1{k1}{z}, xmm2, xmm3/m128/m32bcst	A	V/V	AVX512VL AVX512_BF16	Multiply BF16 pairs from xmm2 and xmm3/m128, and accumulate the resulting packed single precision results in xmm1 with writemask k1.
EVEX.256.F3.0F38.W0 52 /r VDPBF16PS ymm1{k1}{z}, ymm2, ymm3/m256/m32bcst	A	V/V	AVX512VL AVX512_BF16	Multiply BF16 pairs from ymm2 and ymm3/m256, and accumulate the resulting packed single precision results in ymm1 with writemask k1.
EVEX.512.F3.0F38.W0 52 /r VDPBF16PS zmm1{k1}{z}, zmm2, zmm3/m512/m32bcst	A	V/V	AVX512F AVX512_BF16	Multiply BF16 pairs from zmm2 and zmm3/m512, and accumulate the resulting packed single precision results in zmm1 with writemask k1.

Instruction Operand Encoding

Op/En	Tuple	Operand 1	Operand 2	Operand 3	Operand 4
A	Full	ModRM:reg (w)	EVEX.vvvv (r)	ModRM:r/m (r)	NA

Description

This instruction performs a SIMD dot-product of two BF16 pairs and accumulates into a packed single precision register.

“Round to nearest even” rounding mode is used when doing each accumulation of the FMA. Output denormals are always flushed to zero and input denormals are always treated as zero. MXCSR is not consulted nor updated.

NaN propagation priorities are described in Table 2-6.

Table 2-6. NaN Propagation Priorities

NaN Priority	Description	Comments
1	src1 low is NaN	Lower part has priority over upper part, i.e., it overrides the upper part.
2	src2 low is NaN	
3	src1 high is NaN	Upper part may be overridden if lower has NaN.
4	src2 high is NaN	
5	srcdest is NaN	Dest is propagated if no NaN is encountered by src2.

Operation

Define `make_fp32(x)`:

```
// The x parameter is bfloat16. Pack it in to upper 16b of a dword. The bit pattern is a legal fp32 value. Return that bit pattern.
dword := 0
dword[31:16] := x
RETURN dword
```

VDPBF16PS srcdest, src1, src2

VL = (128, 256, 512)

KL = VL/32

origdest := srcdest

FOR i := 0 to KL-1:

IF k1[i] or *no writemask*:

IF src2 is memory and evex.b == 1:

t := src2.dword[0]

ELSE:

t := src2.dword[i]

// FP32 FMA with daz in, ftz out and RNE rounding. MXCSR neither consulted nor updated.

srcdest.fp32[i] += make_fp32(src1.bfloat16[2*i+1]) * make_fp32(t.bfloat[1])

srcdest.fp32[i] += make_fp32(src1.bfloat16[2*i+0]) * make_fp32(t.bfloat[0])

ELSE IF *zeroing*:

srcdest.dword[i] := 0

ELSE: // merge masking, dest element unchanged

srcdest.dword[i] := origdest.dword[i]

srcdest[MAXVL-1:VL] := 0

Intel C/C++ Compiler Intrinsic Equivalent

VDPBF16PS __m128 __mm_dpbf16_ps(__m128, __m128bh, __m128bh);

VDPBF16PS __m128 __mm_mask_dpbf16_ps(__m128, __mmask8, __m128bh, __m128bh);

VDPBF16PS __m128 __mm_maskz_dpbf16_ps(__mmask8, __m128, __m128bh, __m128bh);

VDPBF16PS __m256 __mm256_dpbf16_ps(__m256, __m256bh, __m256bh);

VDPBF16PS __m256 __mm256_mask_dpbf16_ps(__m256, __mmask8, __m256bh, __m256bh);

VDPBF16PS __m256 __mm256_maskz_dpbf16_ps(__mmask8, __m256, __m256bh, __m256bh);

VDPBF16PS __m512 __mm512_dpbf16_ps(__m512, __m512bh, __m512bh);

VDPBF16PS __m512 __mm512_mask_dpbf16_ps(__m512, __mmask16, __m512bh, __m512bh);

VDPBF16PS __m512 __mm512_maskz_dpbf16_ps(__mmask16, __m512, __m512bh, __m512bh);

SIMD Floating-Point Exceptions

None.

Other Exceptions

See Exceptions Type E4.

VP2INTERSECTD/VP2INTERSECTQ – Compute Intersection Between DWORDS/QUADWORDS to a Pair of Mask Registers

Opcode/ Instruction	Op/ En	64/32 bit Mode Support	CPUID Feature Flag	Description
EVEX.NDS.128.F2.0F38.W0 68 /r VP2INTERSECTD k1+1, xmm2, xmm3/m128/m32bcst	A	V/V	AVX512VL AVX512_VP2INTERSECT	Store, in an even/odd pair of mask registers, the indicators of the locations of value matches between dwords in xmm3/m128/m32bcst and xmm2.
EVEX.NDS.256.F2.0F38.W0 68 /r VP2INTERSECTD k1+1, ymm2, ymm3/m256/m32bcst	A	V/V	AVX512VL AVX512_VP2INTERSECT	Store, in an even/odd pair of mask registers, the indicators of the locations of value matches between dwords in ymm3/m256/m32bcst and ymm2.
EVEX.NDS.512.F2.0F38.W0 68 /r VP2INTERSECTD k1+1, zmm2, zmm3/m512/m32bcst	A	V/V	AVX512F AVX512_VP2INTERSECT	Store, in an even/odd pair of mask registers, the indicators of the locations of value matches between dwords in zmm3/m512/m32bcst and zmm2.
EVEX.NDS.128.F2.0F38.W1 68 /r VP2INTERSECTQ k1+1, xmm2, xmm3/m128/m64bcst	A	V/V	AVX512VL AVX512_VP2INTERSECT	Store, in an even/odd pair of mask registers, the indicators of the locations of value matches between quadwords in xmm3/m128/m64bcst and xmm2.
EVEX.NDS.256.F2.0F38.W1 68 /r VP2INTERSECTQ k1+1, ymm2, ymm3/m256/m64bcst	A	V/V	AVX512VL AVX512_VP2INTERSECT	Store, in an even/odd pair of mask registers, the indicators of the locations of value matches between quadwords in ymm3/m256/m64bcst and ymm2.
EVEX.NDS.512.F2.0F38.W1 68 /r VP2INTERSECTQ k1+1, zmm2, zmm3/m512/m64bcst	A	V/V	AVX512F AVX512_VP2INTERSECT	Store, in an even/odd pair of mask registers, the indicators of the locations of value matches between quadwords in zmm3/m512/m64bcst and zmm2.

Instruction Operand Encoding

Op/En	Tuple	Operand 1	Operand 2	Operand 3	Operand 4
A	Full	ModRM:reg (w)	EVEX.vvvv (r)	ModRM:r/m (r)	NA

Description

This instruction writes an even/odd pair of mask registers. The mask register destination indicated in the MODRM.REG field is used to form the basis of the register pair. The low bit of that field is masked off (set to zero) to create the first register of the pair.

EVEX.aaa and EVEX.z must be zero.

Operation**VP2INTERSECTD destmask, src1, src2**

(KL, VL) = (4, 128), (8, 256), (16, 512)

```
// dest_mask_reg_id is the register id specified in the instruction for destmask
dest_base := dest_mask_reg_id & ~1
```

```
// maskregs[ ] is an array representing the mask registers
maskregs[dest_base+0][MAX_KL-1:0] := 0
maskregs[dest_base+1][MAX_KL-1:0] := 0
```

```
FOR i := 0 to KL-1:
  FOR j := 0 to VL-1:
    match := (src1.dword[i] == src2.dword[j])
    maskregs[dest_base+0].bit[i] |= match
    maskregs[dest_base+1].bit[j] |= match
```

VP2INTERSECTQ destmask, src1, src2

(KL, VL) = (2, 128), (4, 256), (8, 512)

```
// dest_mask_reg_id is the register id specified in the instruction for destmask
dest_base := dest_mask_reg_id & ~1
```

```
// maskregs[ ] is an array representing the mask registers
maskregs[dest_base+0][MAX_KL-1:0] := 0
maskregs[dest_base+1][MAX_KL-1:0] := 0
```

```
FOR i = 0 to KL-1:
  FOR j = 0 to VL-1:
    match := (src1.qword[i] == src2.qword[j])
    maskregs[dest_base+0].bit[i] |= match
    maskregs[dest_base+1].bit[j] |= match
```

Intel C/C++ Compiler Intrinsic Equivalent

```
VP2INTERSECTD void __mm_2intersect_epi32(__m128i, __m128i, __mmask8 *, __mmask8 *);
VP2INTERSECTD void __mm256_2intersect_epi32(__m256i, __m256i, __mmask8 *, __mmask8 *);
VP2INTERSECTD void __mm512_2intersect_epi32(__m512i, __m512i, __mmask16 *, __mmask16 *);
VP2INTERSECTQ void __mm_2intersect_epi64(__m128i, __m128i, __mmask8 *, __mmask8 *);
VP2INTERSECTQ void __mm256_2intersect_epi64(__m256i, __m256i, __mmask8 *, __mmask8 *);
VP2INTERSECTQ void __mm512_2intersect_epi64(__m512i, __m512i, __mmask8 *, __mmask8 *);
```

SIMD Floating-Point Exceptions

None.

Other Exceptions

See Exceptions Type E4NF.

WBNOINVD—Write Back and Do Not Invalidate Cache

Opcode / Instruction	Op/En	64/32 bit Mode Support	CPUID Feature Flag	Description
F3 0F 09 WBNOINVD	A	V/V	WBNOINVD	Write back and do not flush internal caches; initiate writing-back without flushing of external caches.

Instruction Operand Encoding

Op/En	Tuple	Operand 1	Operand 2	Operand 3	Operand 4
A	NA	NA	NA	NA	NA

Description

The WBNOINVD instruction writes back all modified cache lines in the processor's internal cache to main memory but does not invalidate (flush) the internal caches.

After executing this instruction, the processor does not wait for the external caches to complete their write-back operation before proceeding with instruction execution. It is the responsibility of hardware to respond to the cache write-back signal. The amount of time or cycles for WBNOINVD to complete will vary due to size and other factors of different cache hierarchies. As a consequence, the use of the WBNOINVD instruction can have an impact on logical processor interrupt/event response time.

The WBNOINVD instruction is a privileged instruction. When the processor is running in protected mode, the CPL of a program or procedure must be 0 to execute this instruction. This instruction is also a serializing instruction (see "Serializing Instructions" in Chapter 8 of the *Intel® 64 and IA-32 Architectures Software Developer's Manual, Volume 3A*).

In situations where cache coherency with main memory is not a concern, software can use the INVD instruction. This instruction's operation is the same in non-64-bit modes and 64-bit mode.

IA-32 Architecture Compatibility

The WBNOINVD instruction is implementation dependent, and its function may be implemented differently on future Intel 64 and IA-32 processors.

Operation

```
WriteBack(InternalCaches);
Continue; (* Continue execution *)
```

Intel C/C++ Compiler Intrinsic Equivalent

```
WBNOINVD void _wbnoinvd(void);
```

Flags Affected

None.

Protected Mode Exceptions

#GP(0) If the current privilege level is not 0.
 #UD If the LOCK prefix is used.

Real-Address Mode Exceptions

#UD If the LOCK prefix is used.

Virtual-8086 Mode Exceptions

#GP(0) WBNOINVD cannot be executed at the virtual-8086 mode.

Compatibility Mode Exceptions

Same exceptions as in protected mode.

64-Bit Mode Exceptions

Same exceptions as in protected mode.

XRESLDTRK – Resume Tracking Load Addresses

Opcode/ Instruction	Op/ En	64/32 bit Mode Support	CPUID Feature Flag	Description
F2 0F 01 E9 XRESLDTRK	Z0	V/V	TSXLDTRK	Specifies the end of an Intel TSX suspend read address tracking region.

Instruction Operand Encoding

Op/En	Tuple	Operand 1	Operand 2	Operand 3	Operand 4
Z0	NA	NA	NA	NA	NA

Description

The instruction marks the end of an Intel TSX (RTM) suspend load address tracking region. If the instruction is used inside a suspend load address tracking region it will end the suspend region and all following load addresses will be added to the transaction read set. If this instruction is used inside an active transaction but not in a suspend region it will cause transaction abort.

If the instruction is used outside of a transactional region it behaves like a NOP.

Chapter 5 provides additional information on Intel[®] TSX Suspend Load Address Tracking.

Operation

XRESLDTRK

```
IF RTM_ACTIVE = 1:
    IF SUSLDTRK_ACTIVE = 1:
        SUSLDTRK_ACTIVE := 0
    ELSE:
        RTM_ABORT
ELSE:
    NOP
```

Flags Affected

None.

Intel C/C++ Compiler Intrinsic Equivalent

```
XRESLDTRK void _xresldtrk(void);
```

SIMD Floating-Point Exceptions

None.

Other Exceptions

```
#UD          If CPUID.(EAX=7, ECX=0):EDX.TSXLDTRK[bit 16] = 0.
              If the LOCK prefix is used.
```

XSUSLDTRK— Suspend Tracking Load Addresses

Opcode/ Instruction	Op/ En	64/32 bit Mode Support	CPUID Feature Flag	Description
F2 0F 01 E8 XSUSLDTRK	Z0	V/V	TSXLDTRK	Specifies the start of an Intel TSX suspend read address tracking region.

Instruction Operand Encoding

Op/En	Tuple	Operand 1	Operand 2	Operand 3	Operand 4
Z0	NA	NA	NA	NA	NA

Description

The instruction marks the start of an Intel TSX (RTM) suspend load address tracking region. If the instruction is used inside a transactional region, subsequent loads are not added to the read set of the transaction. If the instruction is used inside a suspend load address tracking region it will cause transaction abort.

If the instruction is used outside of a transactional region it behaves like a NOP.

Chapter 5 provides additional information on Intel[®] TSX Suspend Load Address Tracking.

Operation**XSUSLDTRK**

```

IF RTM_ACTIVE = 1:
    IF SUSLDTRK_ACTIVE = 0:
        SUSLDTRK_ACTIVE := 1
    ELSE:
        RTM_ABORT
ELSE:
    NOP

```

Flags Affected

None.

Intel C/C++ Compiler Intrinsic Equivalent

```
XSUSLDTRK void _xsusldtrk(void);
```

SIMD Floating-Point Exceptions

None.

Other Exceptions

```
#UD          If CPUID.(EAX=7, ECX=0):EDX.TSXLDTRK[bit 16] = 0.
             If the LOCK prefix is used.
```

CHAPTER 3

ENQUEUE STORES AND PROCESS ADDRESS SPACE IDENTIFIERS (PASIDS)

Chapter 2 described the ENQCMD and ENQCMLS instructions. These instructions perform **enqueue stores**, which write command data to special device registers called **enqueue registers**.

Bits 19:0 of the 64-byte command data written by an enqueue store conveys the process address space identifier (PASID) associated with the command. Software can use PASIDs to identify individual software threads. Devices supporting enqueue registers may use these PASIDs in responding to commands submitted through those registers.

As explained in Chapter 2, an execution of ENQCMD formats the command data with the PASID specified in bits 19:0 of the IA32_PASID MSR. It is expected that system software will configure that MSR to contain the PASID associated with the software thread that is executing.

ENQCMLS can be executed only by system software operating with CPL = 0. It is the responsibility of system software executing ENQCMLS to configure the command data with the appropriate PASID.

Section 3.1 provides details of the IA32_PASID MSR. Section 3.2 describes how the XSAVE feature set supports that MSR. Section 3.3 presents PASID virtualization, a virtualization feature that allows a virtual-machine monitor to control the PASID values produced by enqueue stores executed by software in a virtual machine.

3.1 THE IA32_PASID MSR

This section describes the IA32_PASID MSR used by the ENQCMD instruction. The MSR can be read and written with the RDMSR and WRMSR instructions, using MSR index D93H. The MSR has format given in Table 3-1.

Table 3-1. IA32_PASID MSR

Bit Offset	Description
19:0	Process address space identifier (PASID). Specifies the PASID of the currently running software thread.
30:20	Reserved
31	Valid. Execution of ENQCMD causes a #GP if this bit is clear.
63:32	Reserved

An execution of WRMSR causes a general-protection exception (#GP) in response to an attempt to set any bit in the ranges 30:20 or 63:32. Executions of RDMSR always return zero for those bits.

Because system software may associate a PASID with a software thread, it may choose to update the IA32_PASID MSR on context switches. To facilitate such a usage, the XSAVE feature set is extended to manage the IA32_PASID MSR. These extensions are detailed in Section 3.2.

3.2 THE PASID STATE COMPONENT FOR THE XSAVE FEATURE SET

As noted in Section 3.1, system software may choose to update the IA32_PASID MSR on context switches. This usage is supported by extensions to the XSAVE feature set.

The XSAVE feature set supports the saving and restoring of state components. These state components are organized using state-component bitmaps (each bit in such a bitmap corresponds to a state component).

A new state component is introduced called **PASID state**. PASID state comprises the IA32_PASID MSR. It is defined to be state component 10, so PASID state is associated with bit 10 in state component bitmaps. It is a

supervisor state component, meaning that it can be managed only by the XSAVES and XRSTORS instructions. System software can enable those instructions to manage PASID state by setting bit 10 in the IA32_XSS MSR.

Processor support for this management of PASID state is enumerated by the CPUID instruction as follows:

- CPUID function 0DH, sub-function 1, enumerates in EDX:ECX a bitmap of the supervisor state components. ECX[10] will be enumerated as 1 to indicate that PASID state is supported.
- If PASID state is supported, CPUID function 0DH, sub-function 10 enumerates details for state component as follows:
 - EAX enumerates 8 as the size (in bytes) required for PASID state. (The state component comprises only the one MSR.)
 - EBX enumerates value 0, as is the case for supervisor state components.
 - ECX[0] enumerates 1, indicating that PASID state is a supervisor state component.
 - ECX[1] enumerates 0, indicating that state component 10 is located immediately following the preceding state component when the compacted format of the extended region of an XSAVE area is used.
 - ECX[31:2] and EDX enumerate 0, as is the case for all state components.

Like WRMSR, XRSTORS causes a general-protection exception (#GP) in response to an attempt to set any bit in the IA32_PASID MSR in the ranges 30:20 or 63:32. Like RDMSR, XSAVES always saves zero for those bits.

The XSAVES instruction optimizes the amount of data that it writes to memory by not writing data for a state component known to be in its initial configuration. PASID state is in its initial configuration if the IA32_PASID MSR is 0.

3.3 PASID TRANSLATION

As noted earlier, an operating system (OS) may use PASIDs to identify individual software threads that are allowed to access devices supporting enqueue registers.

Intel® Scalable I/O Virtualization (Intel® Scalable IOV) defines an approach to hardware-assisted I/O virtualization, extending it to support seamless addition of resources and dynamic provisioning of containers.¹ With Intel Scalable IOV, a virtual-machine monitor (VMM) needs to control the PASIDs that are used by different virtual machines just as the guest OS controls the PASIDs used by software threads.

To allow a VMM to control the PASIDs used by enqueue stores while still allowing efficient use by a guest OS, a new virtualization feature is introduced, called **PASID translation**. PASID translation, if enabled, applies to any enqueue store performed by software in a virtual machine: the 20-bit PASID value specified by the guest operating system (**guest PASID**) for ENQCMD or ENQCMLS is translated into a 20-bit value (**host PASID**) that is used in the resulting enqueue store.

3.3.1 PASID Translation Structures

PASID translation is implemented by two hierarchies of data structures (**PASID-translation hierarchies**) configured by a VMM. Guest PASIDs 00000H to 7FFFFH are translated through the low PASID-translation hierarchy, while guest PASIDs 80000 to FFFFFH are translated through the high PASID-translation hierarchy.

Each PASID-translation hierarchy includes a 4-KByte **PASID directory**. A PASID directory comprises 512 8-byte entries, each of which has the following format:

- Bit 0 is the entry's present bit. The entry is used only if this bit is 1.
- Bits 11:1 are reserved and must be 0.
- Bits M-1:12 specify the 4-KByte aligned address of a PASID table (see below), where M is the physical-address width supported by the processor.
- Bits 63:M are reserved and must be 0.

1. See the *Intel® Scalable I/O Virtualization Technical Specification* for more details.

A PASID-translation hierarchy also includes up to 512 4-KByte **PASID tables**; these are referenced by PASID directory entries (see above). A PASID table comprises 1024 4-byte entries, each of which has the following format:

- Bits 19:0 are the host PASID specified by the entry.
- Bits 30:20 are reserved and must be 0.
- Bits 31 is the entry's valid bit. The entry is used only if this bit is 1.

Section 3.3.2 explains how the PASID-translation hierarchies are used to translate the PASIDs used for enqueue stores.

3.3.2 The PASID Translation Process

Each execution of ENQCMD or ENQCMLS results in an enqueue store with a PASID value. (ENQCMD obtains the PASID from the IA32_PASID MSR; ENQCMLS obtains it from the instruction's source operand.) When PASID translation is enabled, this PASID value is interpreted as a guest PASID. The guest PASID is converted to a host PASID; the enqueue store uses the host PASID for bits 19:0 of the command data that it writes.

The PASID translation process is illustrated in Figure 3-1.

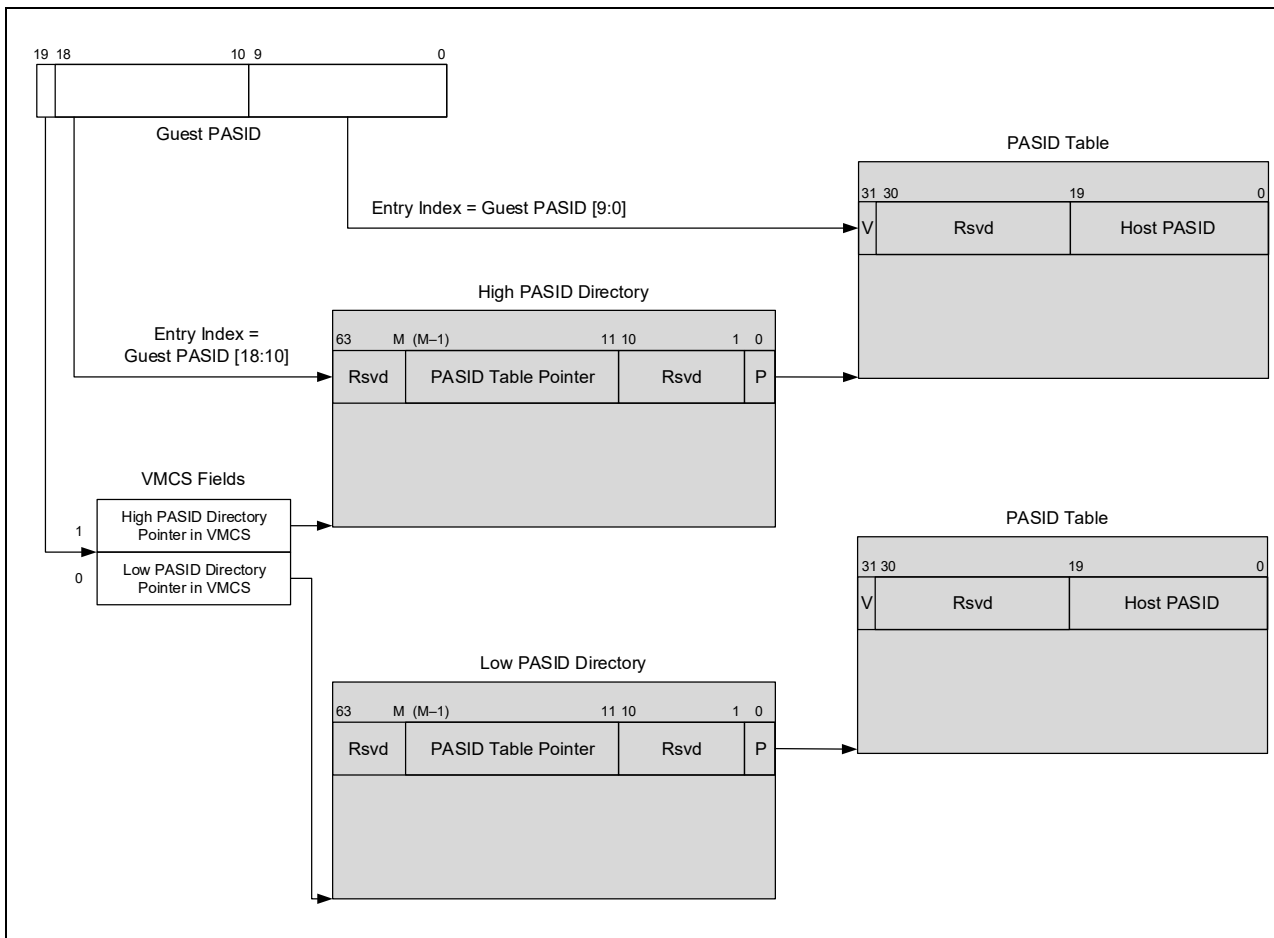


Figure 3-1. PASID Translation Process

The process operates as follows:

- If bit 19 of guest PASID is clear, the low PASID directory is used; otherwise, the high PASID directory is used.

- Bits 18:10 of the guest PASID select an entry from the PASID directory. A VM exit occurs if the entry's valid bit is clear or if any reserved bit is set. Otherwise, bits M:0 of the entry (with bit 0 cleared) contain the physical address of a PASID table, where M is the physical-address width supported by the processor.
- Bits 9:0 of the guest PASID select an entry from the PASID table. A VM exit occurs if the entry's present bit is clear or if any reserved bit is set. Otherwise, bits 19:0 of the entry are the host PASID.

An execution of ENQCMD or ENQCMDS performs PASID translation only after checking for conditions that may result in general-protection exception (the check of IA32_PASID.Valid for ENQCMD; the check of CPL for ENQCMDS) and after loading the instruction's source operand from memory. PASID translation occurs before the actual enqueue store and thus before any faults or VM exits that it may cause (e.g., page faults or EPT violations).

3.3.3 VMX Support

A VMM enables PASID translation by setting secondary processor-based VM-execution control 21. A processor enumerates support for the 1-setting of this control in the normal way (by setting bit 53 of the IA32_VMX_PROC-BASED_CTLX2 MSR). It is expected that any processor that supports the ENQCMD and ENQCMDS instructions will also support PASID virtualization and vice versa.

PASID translation uses two new 64-bit VM-execution control fields in the VMCS: the **low PASID directory address** and the **high PASID directory address**. These are the physical addresses of the low PASID directory and the high PASID directory, respectively. Software can access these new VMCS fields using the encoding pairs 00002038H/00002039H and 0000203AH/0000203BH, respectively.

If the "PASID translation" VM-execution control is 1, VM entry fails if either PASID directory address sets any bit in the ranges 11:0 or 63:M, where M is the physical-address width supported by the processor.

Section 3.3.2 identified situations that may cause a VM exit during PASID translation. Such a VM exit uses basic exit reason 72 (for ENQCMD PASID translation failure) or 73 (ENQCMDS PASID translation failure). The exit qualification is determined as follows:

- For ENQCMD, it is IA32_PASID & 7FFFFH (bits 63:20 are cleared).
- For ENQCMDS, it is SRC & FFFFFFFFH, where SRC is the instruction's source operand (only bits 31:0 may be set).

CHAPTER 4

INTEL® TSX SUSPEND LOAD ADDRESS TRACKING

Chapter 2 described the XSUSLDTRK and XRESLDTRK instructions.

A processor supports Intel® TSX suspend load address tracking if CPUID.07H.EDX.TSXLDRK [bit 16] = 1. An application must check if the processor supports Intel TSX suspend load address tracking before it uses the Intel TSX suspend load address tracking instructions (XSUSLDTRK, XRESLDTRK). These instructions will generate a #UD exception when used on a processor that does not support TSX suspend load tracking.

Programmers can choose which memory accesses do not need to be tracked in the TSX read set. A programmer who uses the suspend load address tracking feature must ensure that there are no atomicity requirements related to the addresses they choose to exclude from the read set as **hardware will not detect read-write conflicts for those addresses.**

To prevent load addresses from being entered into the read set, the programmer should use the XSUSLDTRK and XRESLDTRK instructions. The XSUSLDTRK instruction specifies the start of a suspend region (addresses of subsequent loads will not be added to the transaction read set), and the XRESLDTRK instruction specifies the end of a suspend region (addresses of subsequent loads will be added to the transaction read set).

The execution of a suspend load address tracking region is very similar to transaction execution with the following exceptions:

- The addresses of loads between suspend/resume are not tracked for read-write conflicts if the addresses are accessed inside the suspend region only (i.e., they are not added to the transaction read set). The addresses are still tracked if they are accessed outside of the suspend region inside the transaction.
- Transaction start/end inside the suspend region is not supported; any execution of XACQUIRE/XBEGIN or XRELEASE/XEND will cause the transaction to abort.
- There is no support for suspend region nesting; XSUSLDTRK will cause a transaction abort.

CHAPTER 5 HYPERVISOR-MANAGED LINEAR ADDRESS TRANSLATION

This chapter provides information about a new VT-x capability called Hypervisor-managed Linear Address Translation (HLAT). This capability is intended to be used by a Hypervisor/Virtual Machine Monitor (VMM) to enforce guest linear translation (to guest physical mappings). When combined with the existing Extended Page Table (EPT) capability, HLAT enables the VMM to ensure the integrity of combined guest linear translation (mappings and permissions) cached by the processor TLB, via a reduced software TCB managed by the VMM. The VMM-enforced guest translations are therefore not subject to tamper by untrusted system software adversaries.

5.1 USAGE

This feature is intended to augment the security functionality for a type of Virtual Machine Monitor (VMM) that may use legacy EPT read/write/execute (XWR) permission bits (bits 2:0 of the EPTE) as well as the new User-execute (XU) access bit (bit 10 of the EPTE) to ensure the integrity of code/data resident in guest physical memory assigned to the guest operating system. EPT permissions are also used in these VMMs to isolate memory; for example, to host a Secure Kernel (SK) that can manage security properties for the General Purpose Kernel (GPK). For such usages, it is important that the VMM ensure that the guest linear address mappings which are used by the General Purpose Kernel to refer to the EPT monitored guest physical pages are access-controlled as well. Figure 5-1 below shows an example software setup.

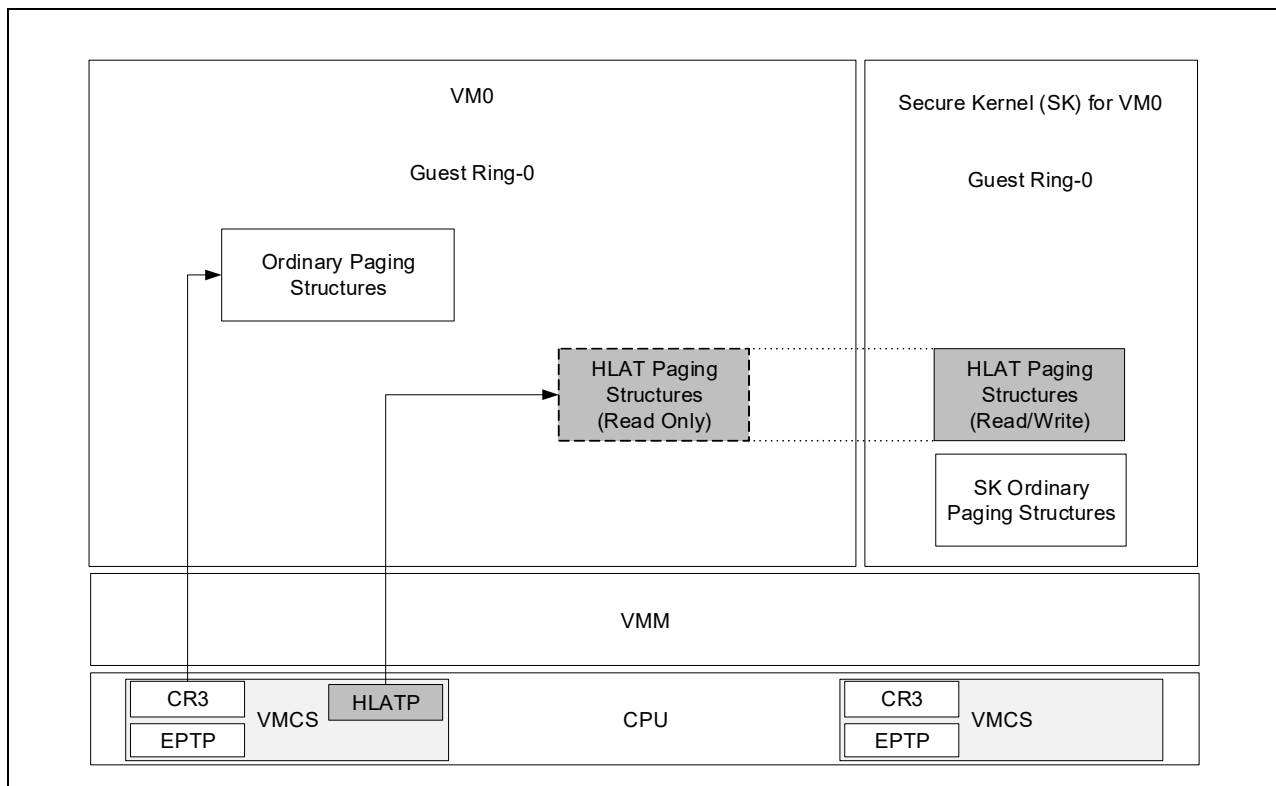


Figure 5-1. Example HLAT Software Usage

VMMs could enforce the integrity of these specific guest linear to guest physical mappings (paging structures) by using legacy EPT permissions to mark the guest physical memory containing the relevant guest paging structures as read-only. The intent of marking these guest paging structures as read-only is to ensure an invalid mapping is not created by guest software. However, such page-table edit control techniques are known to cause very high

overheads due to the requirement that the VMM must monitor all paging contexts created by the (Guest) operating system. HLAT enables a VMM to enforce the integrity of guest linear mappings without this high overhead.

This chapter describes a processor mechanism for the type of VMM described above consisting of:

- A **Hypervisor-managed Linear Address Translation (HLAT)** mechanism which uses an alternate IA paging structure managed in guest physical memory (for example, by a Secure Kernel) that contains guest linear to guest physical translations that the VMM/Secure Kernel wants to enforce.
- A new EPT control bit called **"Paging-Write"** specified in EPT leaf entries. The new bit specifies which guest physical pages hold HLAT or legacy IA paging structures so that the processor can use the Paging-Write as permission to perform A/D bit writes (instead of the software W permission in the EPTE). Typical usage for the Paging-Write bit is with the legacy EPT Write bit cleared. In **PAE paging**, the PDPTE does not have A/D bits, instead the 4K page-directory-pointer table page contains 4 PDPTR entries. Hence, in **PAE paging**, the processor ignores the PW bit of leaf entries of CR3 EPT walks. Software note: in this case, the VMM will need to monitor the page-directory-pointer table page for writes using EPT write permissions (or alternately the VMM can emulate the PDPTR load into the VMCS for the guest on a MOV CR3 by configuring VM Exit on load to CR3 in **PAE paging**).
- A new EPT control bit called **"Verify Paging-Write"** specified in EPT leaf entries (that refer to the final host physical page in the translation). The new bit specifies which guest physical pages should only be referenced via translation (guest) paging structures that are marked as Paging-writable under EPT.

5.2 VMCS CHANGES

A new tertiary processor-based VM-execution control, "Enable HLAT", is defined. The bit position of this control is 1.

A new tertiary processor-based VM-execution control, "Enable Paging-Write", is defined. The bit position of this control is 2.

A new tertiary processor-based VM-execution control, "Enable Guest Paging Verification", is defined. The bit position of this control is 3.

If bit 17, "Activate tertiary controls", of the primary processor-based VM-execution controls is 0, the logical processor operates as if the "Enable HLAT", "Enable Paging-Write" and "Enable Guest Paging Verification" VM-execution controls are 0.

Note that the enable controls for "Enable Paging-Write" and "Enable Guest Paging Verification" are independent of the "Enable HLAT" control. If the processor based VM-execution control for "Enable Paging-Write" is clear, the processor operates as if the "Enable Guest Paging Verification" control is 0.

A new 64-bit control field, "Hypervisor-managed Linear Address Translation Pointer", is defined. The index and encoding for this field is 00002040H/00002041H. The structure of this field and the in-memory data structure referenced by the guest physical address embedded in this field are described in Section 5.6. This field is ignored if the processor-based VM-execution control "Enable HLAT" is clear.

5.3 CHANGES TO EPT PAGING-STRUCTURE ENTRIES

A control bit, "Paging Write", in EPT leaf paging-structure entries is defined; the bit position is 58.

A control bit, "Verify Paging-Write", in EPT leaf paging-structure entries is defined; the bit position is 57.

If the "Enable Paging-Write" VM-execution control (see Section 5.2) is 0, the "Paging Write" bit in the EPT leaf paging-structure entries is ignored and remains available to software. If the control is 1, the bit will be defined for all leaf EPT paging structures and used as described in Section 5.4.

If the "Enable Guest Paging Verification" VM-execution control (see Section 5.2) is 0, the "Verify Paging-Write" bit in the EPT leaf paging-structure entries is ignored and remains available to software. If the control is 1, the bit will be defined for all leaf EPT paging-structures that refer to the final host physical page in the translation and used as described in Section 5.4.

The new EPT control bits "Paging-Write" and "Verify Paging-Write" are enabled via tertiary processor-based VM-execution controls. Note that Verify Paging-Write (VPW) relies on Paging-Write (PW) for its interpretation, hence, if

PW is disabled, VPW is ignored (and SW available as legacy) and the processor operates as if VPW is disabled, i.e., no EPT fault will occur due to VPW violations.

5.3.1 Reservation of a Guest Page Type in EPT Paging Structure Entry for Future Use

If either of the CET “Enable EPT Kernel Shadow Stack Control” EPT control or the HLAT “Enable Paging-Write” is disabled, then the control bits in the EPTE for the disabled control remain available to software. **(This is same as legacy behavior.)**

If both the CET “Enable EPT Kernel Shadow Stack Control” EPT control and the “Enable Paging-Write” are enabled together, then the encoding in the EPTE for both bits set (11b) may be used in the future for an additional guest page type if needed. Defining this encoding (11b) will need an explicit opt-in control in the future. Note that there is no special treatment for this encoding in the HLAT architecture.

Four Guest Page Types can be expressed via the CET “Enable EPT Kernel Shadow Stack Control” EPT control and the “Enable Paging-Write” EPT control; ordinary guest page (SSS=0b, PW=0b), guest kernel supervisor shadow stack (SSS=1b, PW=0b), guest paging structure (SSS=0b, PW=1b), and undefined (SSS=1b, and PW=1b).

It is the responsibility of the VMM (software) to avoid using the undefined (11b) settings of these two control bits, noting that, Kernel Shadow Stack is to be used by the VMM for the final EPTE in the EPT translation for Kernel shadow stack GPAs, whereas, Paging-Write is used for the final EPTE in the EPT translation of GPAs containing guest paging structures (not for the final page referenced through the guest paging structures). For such a configuration (11b) for SSS and PW specified by the VMM, the processor will enforce both Kernel Shadow Stack access semantics and Paging-write access semantics for those GPAs. See the table below for details.

Table 5-1. Kernel Shadow Stack and Paging-Write Access Details

Kernel Shadow Stack VMCS Control	Paging-Write VMCS Control	Kernel Shadow Stack EPTE Bit	Paging-Write EPTE Bit	EPT Misconfiguration
0	0	Ignored	Ignored	NA
0	1	Ignored	Paging-Write behavior	NA
1	0	Kernel Shadow Stack behavior	Ignored	NA
1	1	Kernel Shadow Stack behavior	Paging-Write behavior	NA: This setting may change in the future when this encoding is utilized for a new guest page type, via a new opt-in VMX control.

5.4 CHANGES TO VMX SUPPORT FOR ADDRESS TRANSLATION

If the logical processor is in VMX non-root operation with EPT enabled, and if the “Enable HLAT” VM-execution control (see Section 5.1) is 0, the translation from guest linear to host physical address is determined by the guest IA paging structures and the EPT paging structures. **(This is same as legacy behavior.)**

When the HLAT mechanism is enabled, a guest linear address is translated either through the HLAT paging structure or the “ordinary” paging structure (guest CR3-rooted paging structure). The processor makes this decision based on whether the guest linear address matches a Protected Linear Range (PLR); see Section 5.5. A PLR match causes the processor to translate the guest linear address through the HLAT paging structure; a mismatch causes the processor to translate the guest linear address based on legacy through the ordinary guest CR3-rooted paging structure. The PLR match is performed using a prefix-mask that is applied to the canonical form of the guest linear address and comparing the masked address against a prefix-match value on the masked canonical guest linear address. The Protected Linear Range is described in Section 5.5. Both paging structures are also walked via EPTs (EPT usage for address translation is the same as legacy). Based on the PLR match, a mapping for a guest linear address to a host physical address is only translated by the processor either through the HLAT IA paging structure walk, or the ordinary guest CR3-rooted IA paging structure walk; and never both. It is not necessary for a guest linear address translation to be found in the HLAT paging structures (after a PLR match); this allows the VMM to

enforce sparse guest supervisor linear address translations via HLAT. The VMM may handle the missing translations by the use of a control bit called a **“restart walk”** bit in the HLAT paging structures. When the processor translation of a guest linear address through the HLAT paging encounters a “restart walk”, the processor aborts the walk and performs a legacy walk starting at the ordinary guest CR3-rooted paging structures.

For a PLR match, if the guest linear address translation via the HLAT walk succeeds and a mapping to a guest physical address is found in the HLAT, then the walk is completed successfully and the TLB is filled appropriately. However, an HLAT walk may not complete due to the following reasons:

- A guest linear address translation may be specified as not present in the HLAT paging structures. In this case, the walk is terminated and a page fault is reported to software with a Page-Fault Error Code indicator to indicate HLAT terminal fault due to page not present.
- A guest linear address translation may encounter reserved bits set in the HLAT paging structures. In this case, the walk is terminated and a page fault is reported to software with a Page-Fault Error Code indicator to indicate HLAT terminal fault due to reserved bit set.
- A guest linear address translation may be aborted by the processor encountering a “restart walk” control bit during the walk. In this case, the walk is restarted from the ordinary guest CR3-rooted paging structures. A translation may be found in the ordinary guest CR3-rooted paging structures and the processor response to those conditions is the same as legacy address translation through IA and EPT paging structures, i.e., either the TLB is filled or a page-fault or EPT violation is generated. If the TLB is filled after a restart, the processor ensures that the TLB page size used matches the page size at which the HLAT walk was aborted due to restart. Note that a guest linear address translation that starts at the HLAT paging structures and encounters a “restart walk” switches to ordinary CR3 address translation and cannot architecturally revert back to translation through the HLAT structures.

HLAT relieves the VMM from making guest physical pages that hold the ordinary guest CR3-rooted guest paging structures read-only under EPT. However, to meet the security objective for HLAT, the VMM must make the guest physical pages that hold the HLAT guest paging structures read-only under EPT; this restriction has no legacy compatibility restrictions. Processor page walk A/D bit updates occur as defined, or ordinary paging structures during guest linear address translation through HLAT paging structures. Per legacy behavior, these A/D bit writes will cause EPT violations if the guest paging structure guest physical pages are read only under EPTs. To avoid this performance overhead, a new EPT control bit “Paging-Write” is defined which can be enabled via the new tertiary VM execution control called “Enable Paging-Write”. Guest physical pages that have the Paging-Write bit set under EPTs allow the processor page walker to perform A/D bit writes without EPT violations (even if the EPT entry Write permission is clear, effectively $EPT.E.W \vee EPT.E.PW$ is used as the leaf EPT Write permission by the processor). Software writes to guest physical pages are still subject to the EPT Write permission; Paging-Write is ignored for writes from software. Note that Paging-Write can be used for HLAT paging structures or ordinary paging structures irrespective of whether HLAT is enabled or not. Details of EPT violation behavior for Paging-Write is described in Section 5.8, Table 5-9.

Note that by using HLAT and Paging-Write the VMM can enforce guest linear address translation for specific guest linear addresses, however, it cannot enforce restricting guest linear address alias translations to guest physical addresses. The VMM can restrict the effect of aliases by making guest physical pages non-writable under EPTs. However, there may be scenarios where the VMM may wish to restrict aliases to writable guest-physical pages. To enable the VMM to restrict aliases, a new EPT control bit “Verify Paging-Write”, is defined which can be enabled via the VM execution control called “Enable Guest Paging Verification”. Guest physical pages that have the Verify-Paging-Write bit set under EPT cause the processor page walker to check that only guest physical pages that have the leaf EPT entry attribute Paging-Write were used to translate a guest linear address to that guest physical address. Note that Verify-Paging-Write can be used for HLAT paging structures or ordinary paging structures irrespective of if HLAT is enabled or not.

Specific conditions may cause an EPT violation with a new Exit Qualification bit described in Section 5.8 when “Verify Paging-Write” is enabled.

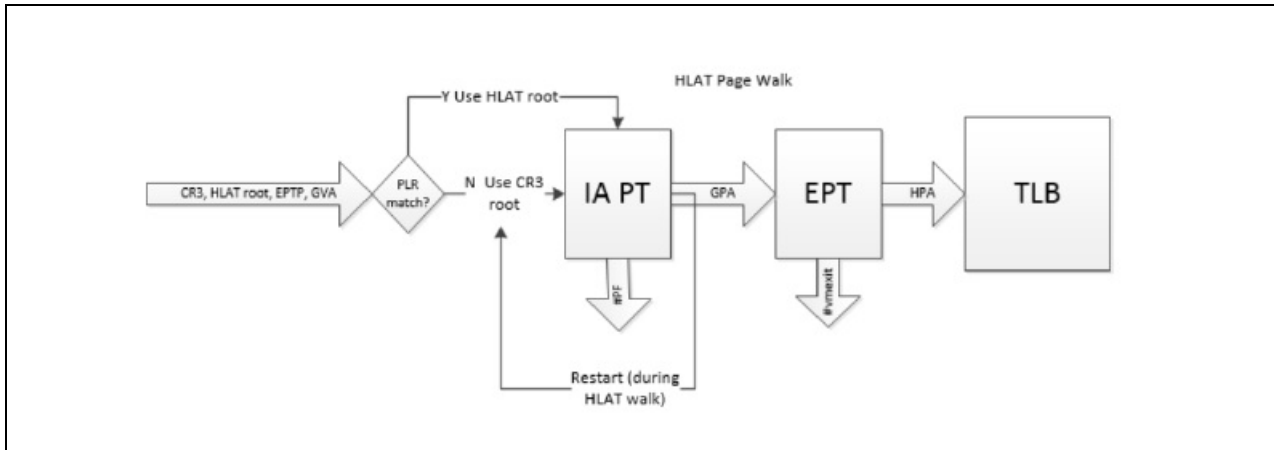


Figure 5-2. HLAT High Level Representation

5.5 PROTECTED LINEAR RANGE

The Protected Linear Range (PLR) is a range of guest linear address space for which the processor page walker performs address translation through the HLAT paging structures when the HLAT mechanism is enabled by the VMM. The PLR is specified using the following two control fields:

- Bits 53:48 (currently reserved) of the IA32_VMX_EPT_VPID_CAP MSR (address 48CH) will enumerate the maximum allowed value for the HLAT prefix size. The HLAT prefix size holds a value between 0 and 52 and specifies the size of the all 1's MSB prefix (in number of bits) that the processor applies for testing the GLA for a PLR match. For example:
 - A value of 0 reported by the processor specifies that the processor will not apply a PLR prefix match (so if HLAT is enabled, all GLAs will be subject to HLAT lookup).
 - A value of 1 reported by the processor specifies that the processor supports a 1-bit MSB prefix, so GLA values of the canonical form with bit 63 set (and higher) will match the PLR (i.e., upper half of the guest linear address space), and hence will be subject to HLAT lookup.
 - A value of 52 reported by the processor specifies that the processor supports a 52-bit MSB prefix of all 1s (so if HLAT is enabled, the processor enforces HLAT lookup only for the last 4KB page in the guest linear address space).

NOTE

Initial implementations may report a 1-bit prefix width in this capability MSR and will not support 32-bit mode paging.

- A new 16-bit VMCS control field is defined called "HLAT PLR Prefix Size". The VMCS index and encoding for this field is 00000006H. VMM software should program this field to specify the GLA MSB prefix to apply to test the GLA for a PLR match (to condition HLAT walks).

This 16-bit control field holds a value between 0 and 52 specifying the size of the all 1's prefix (in number of bits) that the processor should apply for matching the GLA to the PLR. A value specified by software higher than what the processor enumerates in the HLAT prefix size value will be truncated by the processor, resulting in the enforcement of an address prefix of size specified by the capability MSR.

5.6 HYPERVISOR-MANAGED LINEAR ADDRESS TRANSLATION

The HLAT is referenced via a 64-bit control field called "Hypervisor-managed Linear Address Translation Pointer" (HLATP) which contains a 4K-aligned guest physical address. The HLAT is populated with translations for guest

linear addresses to guest physical addresses. The HLAT structure is identical for IA32-e (compatibility and 64-bit) modes of VMX-non-root (guest) software. Additionally, VA48 and LA57 are supported via the same HLAT structure format. For IA32 PAE and non-PAE modes (CR4.PAE=0) HLAT lookup is not performed even if the "Enable HLAT" VM-execution control is 1. Disabling paging when HLAT is enabled disables HLAT; the VMM should restrict such guest paging mode changes via CR exiting.

The format of the HLATP is shown in Table 5-2.

Table 5-2. Format of HLATP

Bit Position ¹	Contents
2:0	Reserved (0)
3	Page-level write-through (PWT); indirectly determines the memory type used to access the HLAT PML4 table during linear address translation (see Section "Paging and Memory Typing When the PAT is Supported" in the <i>Intel® 64 and IA-32 Architectures Software Developer's Manual, Volume 3A</i>).
4	Page-level cache disable (PCD); indirectly determines the memory type used to access the HLAT PML4 table during linear address translation (see Section "Paging and Memory Typing When the PAT is Supported" in the <i>Intel® 64 and IA-32 Architectures Software Developer's Manual, Volume 3A</i>).
11:5	Reserved (0)
N-1:12	Guest physical address of 4KB-aligned HLAT PLM4 table used for linear address translation (if LA57 enabled this is the guest physical Address of the 4KB-aligned HLAT PML5 table used for linear address translation).
63:N	Reserved (0)

NOTES:

1. N is the physical-address width supported by the processor.

Processor access to the HLAT data structures (in guest physical memory) will use the memory type that the MTRRs (memory-type range registers) and EPTs specify for the guest physical address of the access.

Software should ensure that the VMCS and referenced data structures are located at physical addresses that are mapped to WB memory type by the MTRRs.

5.6.1 HLAT Overview

HLAT is active when the "enable HLAT" VM-execution control is 1. The processor looks up the HLAT if, during a guest linear address translation, the guest linear address matches the Protected Linear Range (see Section 5.5). The lookup from guest linear addresses to the guest physical address and attributes is determined by a set of HLAT paging structures. Section 7.2 gives the details of the HLAT paging structures.

The guest paging structure managed by the guest OS specifies the ordinary translation of a guest linear address to the guest physical address and attributes that the guest ring-0 software has programmed, whereas HLAT specifies the alternate translation of the guest linear address to guest physical address and attributes that the Secure Kernel and VMM seek to enforce. A logical processor uses HLAT to translate guest linear addresses only when those guest linear addresses are used to access memory (both for code fetch and data load/store) and the guest linear addresses match the PLR programmed by the VMM/Secure Kernel.

5.6.2 Operation of HLAT

The HLAT translation mechanism uses bits 47:0 in PAE and IA32-e paging modes (or 56:0 in LA57 paging mode) of the guest linear address based on the paging mode of operation of the guest enforced by the VMM. Correspondingly, the HLAT is a 4-level (or 5-level) hierarchical structure.

HLAT structures are accessed to translate a given guest linear address. 48 (or 57) bits of the guest linear address are always used by the logical processor to traverse the HLAT structures as follows:

A 4KB naturally aligned HLAT L5 table is located at the guest physical address specified in bits 51:12 of the “Hypervisor-managed Linear Address Translation Pointer”, a 64-bit VM-execution control field. An HLAT L5 table comprises 512 64-bit entries (HLAT L5Es). An HLAT L5E is selected at the guest physical address defined as follows:

- Bits 63:52 are all 0.
- Bits 51:12 are from the HLATP.
- Bits 11:3 are bits 56:48 of the guest linear address.
- Bits 2:0 are all 0.

5.6.3 Format of the HLAT L5E

The format of the HLAT L5E is similar to the format of the ordinary PML5E for the IA paging structure managed by the guest OS. The changes/additions are noted below.

Table 5-3. Format of HLAT L5E

Bit Position	Usage in Ordinary Paging	Usage in HLAT Paging Structures
11	Ignored	Restart If entry is present and this bit is 1, specifies that a page-walk hitting this non-leaf entry must stop and restart the walk from the guest CR3-rooted ordinary paging structure. The Accessed (A) bit is also defined and remaining bits are ignored. If 0, specifies that the walk should continue (and all bits are treated like ordinary paging).

A 4KB naturally aligned HLAT L4 table is located at the guest physical address specified in bits N:12 of the HLAT L5E. An HLAT L4 table comprises 512 64-bit entries (HLAT L4Es). An HLAT L4E is selected at the guest physical address defined as follows:

- Bits 63:52 are all 0.
- Bits 51:12 are from the HLAT L4E.
- Bits 11: 1 3 are bits 47:39 of the guest linear address.
- Bits 2:0 are all 0.

5.6.4 Format of the HLAT L4E

The format of the HLAT L4E is similar to the format of the ordinary PML4E for the IA paging structure managed by the guest OS. The changes/additions are noted below.

Table 5-4. Format of HLAT L4E

Bit Position	Usage in Ordinary Paging	Usage in HLAT Paging Structures
11	Ignored	Restart If entry is present and this bit is 1, specifies that a page-walk hitting this non-leaf entry must stop and restart the walk from the guest CR3-rooted ordinary paging structure. The Accessed (A) bit is also defined and remaining bits are ignored. If 0, specifies that the walk should continue and all bits are treated like ordinary paging.

A 4KB naturally aligned HLAT L3 table is located at the guest physical address specified in bits N:12 of the HLAT L4E. An HLAT L3 table comprises 512 64-bit entries (HLAT L3Es). An HLAT L3E is selected at the guest physical address defined as follows:

- Bits 63:52 are all 0.
- Bits 51:12 are from the HLAT L4E.
- Bits 11:3 are bits 38:30 of the guest linear address.
- Bits 2:0 are all 0.

5.6.5 Format of the HLAT L3E

The HLAT L3E may contain a mapping to a guest physical address of a 1GB page or may contain a reference to an HLAT L2 Table (via a guest physical address of a 4KB naturally aligned address). In either case, the format of the HLAT L3E is similar to the format of the ordinary PDPTe for the IA paging structure managed by the guest OS. The changes/additions are noted below.

Table 5-5. Format of HLAT L3E

Bit Position	Usage in Ordinary Paging	Usage in HLAT Paging Structures
11	Ignored	Restart If entry is present and this bit is 1, specifies that a page-walk hitting this non-leaf entry must stop and restart the walk from the guest CR3-rooted ordinary paging structure. The Accessed (A) bit is also defined and remaining bits are ignored. If 0, specifies that the walk should continue and all bits are treated like ordinary paging.

A 4KB naturally aligned HLAT L2 table is located at the guest physical address specified in bits N:12 of the HLAT L3E. An HLAT L2 table comprises 512 64-bit entries (HLAT L2Es). An HLAT L2E is selected at the guest physical address defined as follows:

- Bits 63:52 are all 0.
- Bits 51:12 are from the HLAT L3E.
- Bits 11:3 are bits 29:21 of the guest linear address.
- Bits 2:0 are all 0.

5.6.6 Format of the HLAT L2E

The HLAT L2E may contain a mapping to a guest physical address of a 2MB page or may contain a reference to an HLAT L1 Table (via a guest physical address of a 4KB naturally aligned address). In either case, the format of the HLAT L2E is similar to the format of the ordinary PDE for the IA paging structure managed by the guest OS. The changes/additions are noted below.

Table 5-6. Format of HLAT L2E

Bit Position	Usage in Ordinary Paging	Usage in HLAT Paging Structures
11	Ignored	Restart If entry is present and this bit is 1, specifies that a page-walk hitting this non-leaf entry must stop and restart the walk from the guest CR3-rooted ordinary paging structure. The Accessed (A) bit is also defined and remaining bits are ignored. If 0, specifies that the walk should continue and all bits are treated like ordinary paging.

A 4KB naturally aligned HLAT L1 table is located at the guest physical address specified in bits N:12 of the HLAT L2E. An HLAT L1 table comprises 512 64-bit entries (HLAT L1Es). An HLAT L1E is selected at the guest physical address defined as follows:

- Bits 63:52 are all 0.
- Bits 51:12 are from the HLAT L2E.
- Bits 11:3 are bits 20:12 of the guest linear address.
- Bits 2:0 are all 0.

5.6.7 Format of the HLAT L1E

The HLAT L1E contains a mapping to a guest physical address of 4KB pages. The format of the HLAT L1E is similar to the format of the ordinary PTE for the IA paging structure managed by the guest OS. The changes/additions are noted below.

Table 5-7. Format of HLAT L1E

Bit Position	Usage in Ordinary Paging	Usage in HLAT Paging Structures
11	Ignored	Restart If entry is present and this bit is 1, specifies that a page-walk hitting this non-leaf entry must stop and restart the walk from the guest CR3-rooted ordinary paging structure. The Accessed (A) bit is also defined and remaining bits are ignored. If 0, specifies that the walk should continue and all bits are treated like ordinary paging.

66665555555555										M ¹ M-1		3332222222222211111111111111										321098765432109876543210																															
Reserved ²										Address of PML4 table										Ignored										P C W D	P C W D	Ign.	HLATP																				
X D 3	Ignored										Rsvd.										Address of page-directory-pointer table										R gn.	R svd.	I gn.	A	P C W D	P C W D	U S	R / W	1	PML4E: present													
Ignored																										0	PML4E: not present																										
X D	Prot. Key ⁴	Ignored										Rsvd.										Address of 1GB page frame										Reserved										P A T	R gn.	I gn.	G 1	D	A	P C W D	P C W D	U S	R / W	1	PDPTE: 1GB page
X D	Ignored										Rsvd.										Address of page directory										R gn.	0	I gn.	A	P C W D	P C W D	U S	R / W	1	PDPTE: page directory													
Ignored																										0	PDPTE: not present																										
X D	Prot. Key ⁴	Ignored										Rsvd.										Address of 2MB page frame										Reserved										P A T	R gn.	I gn.	G 1	D	A	P C W D	P C W D	U S	R / W	1	PDE: 2MB page
X D	Ignored										Rsvd.										Address of page table										R gn.	0	I gn.	A	P C W D	P C W D	U S	R / W	1	PDE: page table													
Ignored																										0	PDE: not present																										
X D	Prot. Key ⁴	Ignored										Rsvd.										Address of 4KB page frame										R gn.	I gn.	G 1	P A T	D	A	P C W D	P C W D	U S	R / W	1	PTE: 4KB page										
Ignored																										0	PTE: not present																										

Figure 5-3. New Bit in the IA-32e Paging Structures Recognized During HLAT Walks¹

NOTES:

1. This bit remains ignored in ordinary page walks to translate a guest linear address.
2. M is an abbreviation for MAXPHYADDR.
3. Reserved fields must be 0.
4. If IA32_EFER.NXE = 0 and the P flag of a paging-structure entry is 1, the XD flag (bit 63) is reserved.
5. If CR4.PKE = 0, the protection key is ignored.

5.6.8 HLAT Faults

When the “Enable HLAT” VM-execution control is 1, guest linear addresses that match the PLR criteria are translated through the HLAT to enforce Secure Kernel/VMM-specified translation. HLAT lookup by the processor can generate terminal or permission page faults (same as ordinary page walks). If an HLAT page fault does not occur, then the TLB caches the guest linear to host physical combined mapping and permissions derived from the page walk to allow the memory access.

If a terminal page fault occurs due to an HLAT mapping not present or a reserved bit violation during an HLAT walk, the processor sets the “HLAT Terminal Fault” (bit 7) in the PFEC reported for the page fault exception.

For HLAT page walks which encounter an HLAT entry with P=R=1, and other reserved bits set, the reserved bit check faults are a higher priority than the restart operation and will be reported to software through a page fault with PFEC bits set as described below.

The PFEC bit 7 flag is set (1) if, the exception resulted during translation of a guest linear address, and:

1. VM-execution control: "enable HLAT" = 1, and
2. The access caused a terminal page-fault exception (for code or data access) during HLAT lookup implying that the linear address matched the PLR criteria.

When this PFEC bit 7 flag is set (1):

- The P flag (bit 0) is cleared (0) implying there is no translation in the HLAT for the linear address because the P flag was 0 in one of the HLAT paging structure entries used to translate that linear address.
- OR The RSVD flag (bit 3) is 1

AND

- PK flag (bit 5) and SGX flag (bit 15) are 0 for both cases (since these are both permission fault scenarios).
- I/D (bit 4), R/W (bit 1), U/S (bit 2) and CET SSS (bit 6) flags should be set appropriately.

Note that no PFEC bit is set for permission faults for HLAT lookups. To differentiate permission faults, the VMM can leverage EPT permissions thus causing an EPT violation or using Virtualization Exceptions, the VMM can generate a #VE exception for page accesses violating the EPT permissions, thus differentiating permission violations reported to the OS from legacy page faults due to a permission violation from ordinary paging (via CR3-rooted paging structures).

5.6.9 HLAT Operation

This section describes the operation of the HLAT lookup and the fault conditions that may occur.

If at the beginning of a guest linear address translation, the PLR matches:

1. An HLAT entry is read (initially, an HLAT L5 entry). A nested walk of the EPT structures is performed to complete this read (memory type is derived from HLAT page walk, and EPT memory type). The EPT walk may lead to an EPT violation which aborts the walk. If the HLAT entry is read successfully:
 - a. If the entry is not present, then the HLAT walk is deemed complete and a terminal page fault is reported with the HLAT Terminal Fault (bit 7) PFEC bit set.
 - b. Instead, if the entry is present but its contents are not configured properly (a reserved bit is set), the HLAT walk is deemed complete and a terminal page fault is reported with the HLAT Terminal Fault (bit 7) PFEC bit set.
 - c. If the entry is present and the restart (bit 11) is set, the HLAT walk is aborted; the Accessed (A) bit is updated and the remaining HLAT PxE bits are ignored; the page walk is restarted from the guest CR3 rooted page table structure, with the same (or smaller page) fragmentation page size as where the restart occurred; from this point the walk is a legacy nested page table walk. Note that the page size restriction is important to enforce that there is no larger page size mappings in ordinary page tables that supersedes a smaller page size mapping in the HLAT page table. (See Table 5-8.)
 - d. If the entry is present and its contents are configured properly, operation depends on whether the entry references another HLAT structure:
 - If the entry does reference another HLAT structure, an entry from that structure is accessed; step 1 is executed for that other entry.
 - Otherwise, the entry is used to produce the guest physical address and permissions; step 2 is executed.
2. The guest physical address and attributes are determined from the HLAT entry and the last stage of the nested EPT walk is attempted to determine the final host physical page address and effective permissions. If no EPT violation occurs then the TLB fill is completed.

Table 5-8. HLAT Page Size Mapping

For an address that matches PLR, Page Size/Level at which “restart” occurred in HLAT paging structure	Page Size at which IA ordinary walk completed successfully (after restart at size from column 1)	Page size cached in TLB (Note: nested EPT page walk may further fragment page mapping - EPT cannot coalesce)
512GB	1GB	1GB
	2MB	2MB
	4KB	4KB
1GB	1GB	1GB
	2MB	2MB
	4KB	4KB
2MB	1GB	2MB
	2MB	2MB
	4KB	4KB
4KB	1GB	4KB
	2MB	4KB
	4KB	4KB

5.6.10 HLAT Interaction with IA and EPT A/D

In ordinary paging, processor implementations cache information from PTE into PxE caches only after updating the Accessed (A) bit in the PTE. **(This is legacy behavior.)**

If an HLAT entry is present (P=1) and is specified with restart (R=1), then in addition to those two bits, the Accessed (A) bit is also defined and the remaining HLAT PxE bits are ignored. Similar to ordinary paging, Accessed (A) bits in HLAT will be updated for any present PxE (including R=1) before the PxE entry is cached.

In ordinary paging, on a page walk due to a memory write, if the ordinary PTE is present (P=1) and write=0, the processor reports a page fault; or, if present (P=1) and write=1 and PTE is a leaf, the processor sets the D bit on the leaf entry. **(This is legacy behavior.)**

In HLAT paging, if an HLAT entry is present (P=1) and not restart (R=0), then the behavior for fault generation and D bit setting is the same as in ordinary paging (for both write=0 and write=1). However, in HLAT paging, if the entry is present (P=1) and restart (R=1) then the rest of the bits (other than A) are ignored.

- For an HLAT page walk due to a write, where an HLAT PTE higher in the hierarchy specifies cumulative write=0, processor fault will be suppressed (since walk is restarted).
- If the HLAT entry is a leaf entry (D bit occurs only at PTE level which is not cached in any PxE structure), the processor suppresses the dirty bit assist (A bit will still be set on all PxE structures).

IA A/D updates may occur in the HLAT paging structures and corresponding EPT A/D updates may occur even if HLAT paging structures indicate a restart.

5.6.11 Cached HLAT Derived Information

Information derived from page walks may be cached by the processor. Paging structure intermediate information may be cached in PxE caches and final combined mappings derived from the guest linear address translation (page walks) may be cached in the processor TLBs. Any modification to the information specified in IA paging entries may be invalidated using legacy operations such as MOV CR3, INVLPG (from VMX non-root mode), and INVVPID (from VMX root mode). **(This is legacy behavior.)**

From the TLB perspective, legacy behavior is not modified for invalidating information cached that is derived from HLAT paging structures. There is no change to information cached in the processor TLBs since HLAT enforces that a single mapping is found for a specific guest linear address; either from the HLAT paging structure or from the guest CR3 rooted paging structure and not both.

Similarly, ASID management is not modified due to HLAT. If PCID is enabled by the guest, PCID always derives from guest CR3 (not HLAT root) and follows the legacy approach. If HLAT mappings are global they will be treated with global ASID; if HLAT mappings are not global, they will map to ASID determined by VPID/EPTP/PCID per legacy behavior.

The paging structure caches (PxE caches) on the other hand, hold additional information that modifies the page walk, hence the following changes are required to the PxE caches:

1. The restart bit is cached as a new output bit from the PxE cache lookup during page walks. A page walk that hits the PxE cache and results in an entry for which the restart bit is cached aborts the walk, and causes the walk to restart from the guest CR3 rooted guest physical address (which may hit other entries in the PxE cache).
2. An HLAT tag bit is provided as input to the PxE lookup to ensure that the walk is performed in HLAT mode until a restart is encountered.

5.7 CHANGES TO GUEST PHYSICAL ACCESSES

EPT permission violations due to accumulated memory read/write/execute permission violations are reported as EPT violation VM Exits. If a logical processor is in VMX non-root operation with EPT enabled, and if the "Enable Paging-Write" VM-execution control (see Section 5.1) is 0, an EPT violation occurs if a write access using a guest-physical address and the write-access bit (bit 1) was clear in any of the EPT paging structure entries used to translate the guest-physical address. This is true for software accesses as well as processor page walker accesses when performing A/D bit updates during page walks through the IA paging structures. **(This is legacy behavior.)**

When HLAT is enabled, the guest physical addressed HLAT paging structures must be readable and writable by the processor to perform translations when the guest kernel is executing; this requires the guest paging structures to be read-write under EPTs. The write accesses include Paging-Write accesses, which are the following:

- Writes by a logical processor to update accessed and dirty flags in a guest paging-structure entry.
- If bit 6 of the EPT pointer (EPTP) is 1 (enabling accessed and dirty flags for EPT), reads by the logical processor of a guest paging-structure entry use it to translate a linear address. (This does not apply to loads of the PDPT registers by the MOV to CR instruction for PAE paging; such loads of guest PDPTs are never treated as writes.)

However from a security perspective, HLAT paging structures cannot be made writable under EPTs to protect it from software writes from an untrusted guest. Thus, per legacy behavior, A/D bit updates on the HLAT paging structures would invoke EPT violations that the VMM would have to emulate. To avoid this performance burden, a new access permission bit is proposed in the EPT paging structure leaf entries called "Paging-Write" (PW) access. The bit position is bit 58, but would be chosen from among those that are currently ignored by the processor and available to software. If the "Enable Paging-Write" VM-execution control is 0, the paging-write bits in the EPT leaf paging-structure entries are ignored and remain available to software.

Pages that have EPT "Paging-Write" set also modify previous architecture with EPT Accessed and Dirty bits, since with legacy architecture, when EPT A/D bits are enabled, processor paging accesses are treated as writes, and the hypervisor would not be able to make guest paging structure pages non-writable for guest software without affecting processor page walks. When "Enable Paging-Write" is set, the hypervisor can make GPAs containing guest HLAT paging structures non-writable for software, and allow write accesses by the processor's paging architecture to update A/D bits.

If the "Enable Paging-Write" VM-execution control is 1, a paging-write access using a guest physical address will not cause an EPT violation if the write-access bit is 1 in all of the non-leaf entries and the paging-write-access bit is 1 in the leaf EPT paging-structure entry used to translate the guest-physical address (in this specific case, the write-access bit in the leaf EPT entry may be 0 or 1 since write EPT permission for leaf entry when Paging-Write is enabled is W | PW). When EPT leaf entry paging-write-access is 0, other cases that cause EPT violations remain unchanged (see table below).

To further illustrate, this table shows the new behavior in **bold** for writes by a logical processor to update accessed/dirty flags in a guest paging-structure entry.

Table 5-9. EPT Violation Behavior

L4 EPT W	L3 EPT W	L2 EPT W	L1 EPT W	L1 EPT PW	(Write-access bit is 1 in all of the non-leaf EPT entries) and (the paging-write-access bit is 1 in the leaf EPT paging-structure entry)	EPT Violation Behavior
0	X	X	X	X	0	EPT violation (same as legacy behavior)
X	0	X	X	X	0	EPT violation (same as legacy behavior)
X	X	0	X	X	0	EPT violation (same as legacy behavior)
1	1	1	0	0	0	EPT violation (same as legacy behavior)
1	1	1	0	1	1	No EPT violation (new behavior)

An EPT misconfiguration will occur if, for the translation of a guest-physical address, the paging-write-access bit is 1 and the read access bit (EPT bit 0) is clear (0) in the leaf EPT paging-structure entry used to translate the guest-physical address.

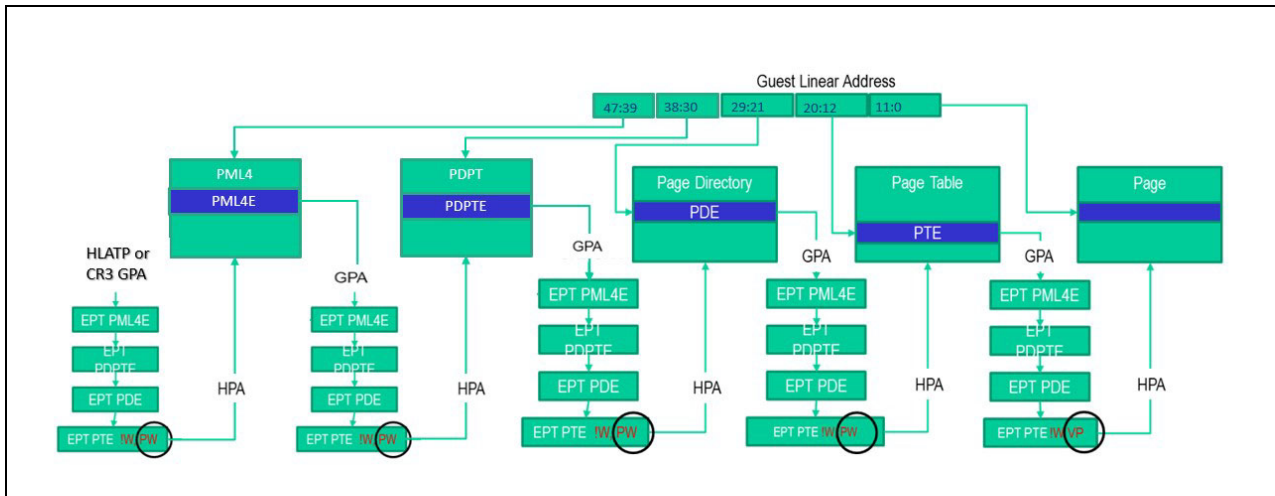


Figure 5-4. Example of Paging-Write and Verify-Paging-Write EPT Control Bits Used for Guest Paging Structures (HLAT or Ordinary Paging)

5.7.1 Paging-Write Interaction with EPT A/D

Software can enable accessed and dirty flags for EPT using bit 6 of the extended page-table pointer (EPTP). If this bit is 1, the processor will set the accessed and dirty flags for EPT. Whenever there is a write to a guest-physical address, the processor sets the dirty flag (if it is not already set) in the EPT paging-structure entry that identifies the final physical address for the guest-physical address (either an EPT PTE or an EPT paging-structure entry in which bit 7 is 1). In addition, when accessed and dirty flags for EPT are enabled, processor accesses to guest paging structure entries are treated as writes. Thus, such an access will cause the processor to set the dirty flag in the leaf EPT paging-structure entry that identifies the final physical address of the guest paging-structure entry. **(This is legacy behavior.)**

When the “Enable Paging-Write” VM-execution control is enabled, and the hypervisor makes guest paging structures non-writable for OS software writes via EPT permissions, then, for inter-operation with EPT Accessed/Dirty bits, the hypervisor must set the Paging-Write access EPT entry control bit (see Section 5.3) to allow the processor paging architecture to safely consider guest paging structure accesses as writable for the page walker (while continuing to enforce the writability for software based on the legacy EPTE.W bit).

5.7.2 IOMMU Interaction

During IOMMU SVM page walks, A/D bits are updated. During these writes, if VT-d paging structures disallow writes on the guest physical addresses that contain the SVM paging structures then an IOMMU page fault is generated. **(This is legacy behavior.)**

Paging-Write does not introduce any change to this legacy behavior. The “Paging-Write” and “Verify Paging-Write” bits are ignored by IOMMU (during nested VT-d page walk). An implication of this is that aliases can be created to guest physical address via SVM page tables. The VMM should protect such guest physical pages via EPT permissions (read-only or read-execute or execute-only). An attacker cannot create a spurious SVM page table structure using HLAT paging structures to cause A/D writes to HLAT paging structures via the IOMMU (since those write attempts will fail due to the VMM setting HLAT paging structures as EPTE.W=0, PW=1). For pages that are writable under EPTs, an alias via SVM is possible which can be addressed in the future by restricting IOMMU writes to guest physical pages marked “Verify Paging-Write” under VT-d.

5.8 ADDITION TO EPT VIOLATION EXIT QUALIFICATION

Guest physical pages that have the “Verify Paging-Write” bit set under EPT cause the processor page walker to check that only guest physical pages (containing IA paging structures) that have the leaf EPT entry attribute “Paging-Write” were used to translate a guest linear address to that guest physical address.

Note that “Verify Paging-Write” can be used for HLAT paging structures or ordinary paging structures irrespective of whether HLAT is enabled or not.

When all the following conditions are met, an EPT violation is reported to the VMM with a new Exit Qualification bit (position 15) set to indicate an EPT violation due to “Verify Paging-Write”:

- “Paging-Write” and “Verify Paging-Write” are both enabled in VM execution controls, and the final (leaf) guest physical page was specified to be “Verify Paging-write” under EPT.
- At least one of the guest physical pages accessed by the processor page walker for the translation of a guest linear address was specified with the “Paging-Write” bit set to 0 under EPT.
- The HLAT page walk completed without a terminal or permission fault. If the page walk was an HLAT page walk, none of the paging entries accessed during the HLAT walk had the restart bit set to 1.

Note that other EPT violation qualifications bits (for example due to permission violation) may be set along with bit position 15.

5.9 HLAT INTERACTION WITH INTEL® SGX

There are no special requirements for HLAT interaction with Intel® SGX.

HLAT applies to guest linear address translations which match the PLR as specified in this document. Enclave linear addresses are asserted to map to the EPCM region by the processor after legacy page walk is completed. Enclave linear range covers user mode linear addresses, and any such accesses that fall within the PLR will be subject to HLAT lookup as defined in this document. For HLAT page faults occurring during in enclave mode, no additional fault information is saved in SSA (same as other fault conditions). For EPT violation VM exits that occur during HLAT page walks, the in-enclave interruptibility bit will be set (same as other VM exit conditions).

5.10 HLAT INTERACTION WITH NESTED VT-X

There are no special requirements for nested VT-x operation for HLAT.

Since the HLAT structures are guest physical addressed when EPTs are enabled, a root hypervisor that exposes HLAT to a guest hypervisor must shadow EPT structures and, therefore, encompasses any HLAT structures created by the nested guest VMs (of the guest hypervisor). If the root or guest VMM enables interception of #PF with PFEC_MASK PFEC.HLAT Terminal fault bit 7 set, then the root VMM may have to inject the #PF VMExit for the Guest VMM (after handling it for itself if needed).

5.11 CHANGES TO VM ENTRIES

If the “activate tertiary controls” and “Enable HLAT” VM-execution controls are both 1, VM entries ensure that the “Enable EPT” VM-execution control is 1. The “HLAT Pointer” control field is checked for consistency per Section 5.4.

If the “activate tertiary controls” and “Enable Paging-Write” VM-execution controls are both 1, VM entries ensure that the “Enable EPT” VM-execution control is 1.

If the “activate tertiary controls” and “Enable Guest Paging Verification” VM execution controls are both 1, VM entries ensure that the “Enable EPT” VM execution control is 1.

VM entry fails if the above checks fail. When such a failure occurs, control is passed to the next instruction, RFLAGS.ZF is set to 1 to indicate the failure, and the VM-instruction error field is loaded with value 7, indicating “VM entry with invalid control field(s).” This check may be performed in any order with respect to other checks on VMX controls and the host-state area. Thus, different processors may give different error numbers for the same VMCS.

5.12 CHANGES TO VMX CAPABILITY REPORTING

Section 5.1 specified that a new bit of the tertiary processor-based VM-execution controls would be defined as “Enable HLAT” VM-execution control. If bit position “X” is chosen for those controls, a processor that supports the 1-setting of the control sets bit “X” of the IA32_VMX_PROCBASED_CTL3 MSR (address 492H). RDMSR of that MSR returns 1 in bit “X” of EDX.

Section 5.1 specified that a new bit of the tertiary processor-based VM-execution controls would be defined as “Enable Paging-Write” VM-execution control. If bit position “X” is chosen for those controls, a processor that supports the 1-setting of the control sets bit “X” of the IA32_VMX_PROCBASED_CTL3 MSR (address 492H). RDMSR of that MSR returns 1 in bit “X” of EDX.

Section 5.1 specified that a new bit of the tertiary processor-based VM-execution controls would be defined as “Enable Guest Paging Verification” VM-execution control. If bit position “X” is chosen for those controls, a processor that supports the 1-setting of the control sets bit “X” of the IA32_VMX_PROCBASED_CTL3 MSR (address 492H). RDMSR of that MSR returns 1 in bit “X” of EDX.

CHAPTER 6

ARCHITECTURAL LAST BRANCH RECORDS (LBRs)

Architectural Last Branch Records (LBRs) enable recording of software path history by logging taken branches and other control flow transfers within processor registers. Each LBR record or entry is comprised of three MSRs:

- IA32_LBR_x_FROM_IP – Holds the source IP of the operation.
- IA32_LBR_x_TO_IP – Holds the destination IP of the operation.
- IA32_LBR_x_INFO – Holds metadata for the operation, including mispredict, TSX, and elapsed cycle time information.

The number of LBR records available varies across processor generations, and is specified in CPUID (see Section 6.4).

LBR records are stored in age order. The most recent LBR entry is stored in IA32_LBR_0_*, the next youngest in IA32_LBR_1_*, and so on. When an operation to be recorded completes (retires) with LBRs enabled (IA32_LBR_CTL.LBREN=1), older LBR entries are shifted in the LBR array by one entry, then a record of the new operation is written into entry 0. See Section 6.1.1 for the list of recorded operations.

The number of LBR entries available for recording operations is dictated by the value in IA32_LBR_DEPTH.DEPTH. By default, the DEPTH value matches the maximum number of LBRs supported by the processor, but software may opt to use fewer in order to achieve reduced context switch latency. See Section 6.3.1 for more details.

In addition to the LBRs, there is a single Last Event Record (LER). It records the last taken branch preceding the last exception, hardware interrupt, or software interrupt. Like LBRs, the LER is comprised of three MSRs (IA32_LER_FROM_IP, IA32_LER_TO_IP, IA32_LER_INFO), and is subject to the same dependencies on enabling and filtering.

Which operations are recorded in LBRs depends upon a series of factors:

- Branch Type Filtering – Software must opt in to the types of branches to be logged; see Section 6.1.2.3.
- Current Privilege Level (CPL) – LBRs can be filtered based on CPL; see Section 6.1.2.5.
- LBR Freeze – LBR and LER recording can be suspended by setting IA32_PERF_GLOBAL_STATUS.LBR_FRZ to 1. See Section 17.4.7 in the *Intel® 64 and IA-32 Architectures Software Developer's Manual, Volume 3B* for details on LBR_FRZ.

On some implementations, recording LBRs may require constraining the number of operations that can complete in a cycle. As a result, on these implementations, enabling LBRs may have some performance overhead.

6.1 BEHAVIOR

6.1.1 Logged Operations

LBRs can log most control flow transfer operations.

The source IP recorded for a branch instruction is the IP of that instruction. For events which take place between instructions, the source IP recorded is the IP of the next sequential instruction.

The destination IP recorded is always the target of the branch or event, the next instruction that will execute.

The full list of operations and the respective IPs recorded is shown in Table 6-1.

Table 6-1. LBR IP Values for Various Operations

Operation	FROM_IP	TO_IP
Taken Branch ¹ , Exception, INT3, INTn, INTO, TSX Abort	Current IP	Target IP
Interrupt	Next IP	Target IP
INIT (BSP)	Next IP	Reset Vector
INIT (AP) + SIPI	Next IP	Sipi Vector
EENTER/ERESUME + EEXIT/AEX	Current IP	Target or Trampoline IP
RSM ²	Target IP	Target IP
#DB, #SMI, VM exit, VM entry	None	None

NOTES:

1. Direct CALLs to the next sequential IP, known as zero-length CALLs, are not treated as taken branches by LBRs.
2. RSM is only recorded in LBRs when IA32_DEBUGCTL.FREEZE_WHILE_SMM_EN is set to 0.

6.1.2 Configuration

6.1.2.1 Enabling and Disabling

LBRs are enabled by setting IA32_LBR_CTL.LBREN to 1.

Some operations, such as entry to a secure mode like SMM or SGX, can cause LBRs to be temporarily disabled. Other operations, such as debug exceptions or some SMX operations, disable LBRs and require software to re-enable them. Details on these interactions can be found in Section 6.1.4.

6.1.2.2 LBR Depth

The number of LBRs used by the processor can be constrained by modifying the IA32_LBR_DEPTH.DEPTH value. DEPTH defaults to the maximum number of LBRs supported by the processor. Allowed DEPTH values can be found in CPUID.(EAX=01CH, ECX=0):EAX[7:0].

Reducing the LBR depth can result in improved performance, by reducing the number of LBRs that need to be read and/or context switched.

On a software write to IA32_LBR_DEPTH, all LBR entries are reset to 0. LERs are not impacted.

A RDMSR or WRMSR to any IA32_LBR_x_* MSRs, such that x ≥ DEPTH, will #GP fault. Note that the XSAVES and XRSTORS instructions access only the LBRs associated with entries 0 to DEPTH-1, see Section 6.3.1 for details.

By clearing the LBR entries on writes to IA32_LBR_DEPTH, and forbidding any software writes to LBRs ≥ DEPTH, it is thereby guaranteed that any LBR entries equal to or above DEPTH will have value 0.

6.1.2.3 Branch Type Enabling and Filtering

Software must opt in to the types of branches that are desired to be recorded. These elections are made in IA32_LBR_CTL; see Section 6.2. Branch type options are listed in Table 6-2; only those enabled will be recorded.

Table 6-2. Branch Type Filtering Details

Branch Type	Operations Recorded
JCC	Jcc, J*CXZ, and LOOP*
NEAR_IND_JMP	JMP r/m*
NEAR_REL_JMP	JMP rel*
NEAR_IND_CALL	CALL r/m*
NEAR_REL_CALL	CALL rel* (excluding CALLs to the next sequential IP)
NEAR_RET	RET (OC3H)
OTHER_BRANCH	JMP/CALL ptr*, JMP/CALL m*, RET (OC8H), SYS*, interrupts, exceptions, IRET, INT3, INTn, INTO, TSX Abort, EENTER, ERESUME, EEXIT, AEX, INIT, SIPI, RSM, breakpoints

These encodings match those in IA32_LBR_x_INFO.BR_TYPE.

Control flow transfers that are not recorded include #DB, VM exit, VM entry, and #SMI.

6.1.2.4 Call-Stack Mode

The LBR array is, by default, treated as a ring buffer that captures control flow transitions. However, the finite depth of the LBR array can be limiting when profiling certain high-level languages (e.g., C++), where a transition of the execution flow is accompanied by a large number of leaf function calls. These calls to leaf functions, and their returns, are likely to displace the main execution context from the LBRs.

When Call-Stack mode is enabled, the LBR array can capture unfiltered call data normally, but as return instructions are executed the last captured branch (call) record is flushed from the LBRs in a last-in first-out (LIFO) manner. Thus, branch information pertaining to completed leaf functions will not be retained, while preserving the call stack information of the main line execution path.

Call-Stack mode is enabled by setting IA32_LBR_CTL.CALL_STACK to 1. When enabled, near RET instructions receive special treatment. Rather than adding a new record in LBR_0, a near RET will instead “pop” the CALL entry at LBR_0 by shifting entries LBR_1..LBR_[DEPTH-1] up to LBR_0..LBR_[DEPTH-2], and clearing LBR_[DEPTH-1] to 0. Thus, LBR processing software can consume only valid call-stack entries by reading until finding an entry that is all zeros.

Call-stack mode should be used with branch type enabling configured to capture only CALLs (NEAR_REL_CALL and NEAR_IND_CALL) and RETs (NEAR_RET). When configured in this manner, the LBR array emulates a call stack, where CALLs are “pushed” and RETs “pop” them off the stack.

It is recommended that call-stack mode be used along with CPL filtering, by setting at most one of the OS and USR bits in the IA32_LBR_CTL MSR. LBR call-stack mode does not emulate the stack switch that can occur on CPL transitions, and hence monitoring all CPLs may result in a corrupted LBR call stack.

Call-Stack Mode and LBR Freeze

When IA32_DEBUGCTL.FREEZE_LBRs_ON_PMI=1, IA32_PERF_GLOBAL_STATUS.LBR_FRZ will be set to 1 when a PMI is pended. That will cause LBRs and LERs to cease recording branches until LBR_FRZ is cleared. Because there may be some “skid”, or instructions retiring, in between the PMI being pended and the PMI being taken, it is possible that some branches may be missing from the LBRs. In the case of call-stack mode, if a CALL or RET is missed, that can lead to confusing results where CALL entries fail to get “popped” off the stack, and RETs “pop” the wrong CALLs.

An alternative is to clear FREEZE_LBRs_ON_PMI, and instead utilize CPL filtering to limit LBR recording to ring3. This will record branches in the “skid”, but avoid recording any branches in the ring0 handler.

6.1.2.5 CPL Filtering

Software must opt in to which CPL(s) will have branches recorded. If IA32_LBR_CTL.OS=1, then branches in CPL=0 can be recorded. If IA32_LBR_CTL.USR=1, then branches in CPL>0 can be recorded. For operations which change the CPL, the operation is recorded in LBRs only if the CPL at the end of the operation is enabled for LBR

recording. In cases where the CPL transitions from a value that is filtered out to a value that is enabled for LBR recording, the FROM_IP address for the recorded CPL transition branch or event will be 0FFFFFFFFFFFFFFFH.

6.1.3 Record Data

6.1.3.1 IP Fields

The source and destination IP values in IA32_LBR_x_[FROM|TO]_IP and IA32_LER_x_[FROM|TO]_IP may hold effective IPs (EIPs) or linear IPs (LIPs), depending on the processor generation. EIP is the offset from the CSbase address, while LIP includes the CSbase address. Which IP type is used is indicated in CPUID.(EAX=01CH, ECX=0):EAX[bit 31].

The value read from this field will always be canonical. Note that this includes the case where a canonical violation (#GP) results from executing sequential code that runs precisely to the end of the lower canonical address space (where IP[63:MAXLINADDR-1] is 0, but IP[MAXLINADDR-2:0] is all ones). In this case, the FROM_IP will hold the lowest canonical address in the upper canonical space, such that IP[63:MAXLINADDR-1] is all ones, and IP[MAXLINADDR-2:0] is 0.

In some cases, due to CPL filtering, the FROM_IP of the recorded operation may be filtered out. In this case 0FFFFFFFFFFFFFFFH will be recorded. See Section 6.1.2.5 for details.

Writes of these fields will be forced canonical, such that the processor ignores the value written to the upper bits (IP[63:MAXLINADDR-1]).

6.1.3.2 Branch Types

The IA32_LBR_x_INFO.BR_TYPE and IA32_LER_INFO.BR_TYPE fields encode the branch types as shown in Table 6-3.

Table 6-3. IA32_LBR_x_INFO and IA32_LER_INFO Branch Type Encodings

Encoding	Branch Type
0000B	JCC
0001B	NEAR_IND_JMP
0010B	NEAR_REL_JMP
0011B	NEAR_IND_CALL
0100B	NEAR_REL_CALL
0101B	NEAR_RET
011xB	Reserved
1xxxB	OTHER_BRANCH

For a list of branch operations that fall into the categories above, see Table 6-2. In future generations, BR_TYPE bits 2:0 may be used to distinguish between differing types of OTHER_BRANCH.

6.1.3.3 Cycle Time

Each time an operation is recorded in an LBR, the value of the LBR cycle timer is recorded in IA32_LBR_x_INFO.CYC_CNT. The LBR cycle timer is a saturating counter that counts at the processor clock rate. Each time an operation is recorded in an LBR, the counter is reset but continues counting.

There is a LBR cycle time valid bit, IA32_LBR_x_INFO.CYC_CNT_VALID. When set, the CYC_CNT field holds a valid value, the number of elapsed cycles since the last operation recorded in an LBR (up to 0FFFFH).

Some implementations may opt to reduce the granularity of the `CYC_CNT` field for larger values. The implication of this is that the least significant bits may be forced to 1 in cases where the count has reached some minimum threshold. It is guaranteed that this reduced granularity will never result in an inaccuracy of more than 10%.

6.1.3.4 Mispredict Information

`IA32_LBR_x_INFO.MISPRED` provides an indication of whether the recorded branch was predicted incorrectly by the processor. The bit is set if either the taken/not-taken direction of a conditional branch (`Jcc`) was mispredicted, or if the target of an indirect branch was mispredicted.

6.1.3.5 Intel® TSX Information

`IA32_LBR_x_INFO.IN_TSX` indicates whether the operation recorded retired during a TSX transaction. `IA32_LBR_x_INFO.TSX_ABORT` indicates that the operation is a TSX Abort.

6.1.4 Interaction with Other Processor Features

6.1.4.1 SMM

`IA32_LBR_CTL.LBREN` is saved and cleared on `#SMI`, and restored on `RSM`. As a result of disabling LBRs, the `#SMI` is not recorded. `RSM` is recorded only if `IA32_DEBUGCTL.FREEZE_WHILE_SMM_EN` is set to 0, and the `FROM_IP` will be set to the same value as the `TO_IP`.

SMM Transfer Monitor (STM)

`LBREN` is not cleared on `#SMI` when it causes SMM VM exit. Instead, the STM should use the VMCS controls described in Section 6.1.4.2 to disable LBRs while in SMM, and to restore them on VM entries that exit SMM.

On `VMCALL` to configure STM, `IA32_LBR_CTL` is cleared.

6.1.4.2 VMX

By default, LBR operation persists across VMX transitions. However, VMCS fields have been added to enable constraining LBR usage to within non-root operation only. See details in Table 6-4.

Table 6-4. LBR VMCS Fields

Name	Type	Bit Position	Behavior
Guest <code>IA32_LBR_CTL</code>	Guest State Field	NA	The guest value of <code>IA32_LBR_CTL</code> is written to this field on all VM exits.
Load Guest <code>IA32_LBR_CTL</code>	Entry Control	21	When set, VM entry will write the value from the "Guest <code>IA32_LBR_CTL</code> " guest state field to <code>IA32_LBR_CTL</code> .
Clear <code>IA32_LBR_CTL</code>	Exit Control	26	When set, VM exit will clear <code>IA32_LBR_CTL</code> after the value has been saved to the "Guest <code>IA32_LBR_CTL</code> " guest state field.

To enable "guest-only" LBR use, a VMM should set both the "Load Guest `IA32_LBR_CTL`" entry control and the "Clear `IA32_LBR_CTL`" exit control. For "system-wide" LBR use, where LBRs remain enabled across host and guest(s), a VMM should keep both new VMCS controls clear.

VM-entry checks that, if the "Load Guest `IA32_LBR_CTL`" entry control is 1, bits reserved in the `IA32_LBR_CTL` MSR must be 0 in the field for that register.

Table 6-5 enumerates the 64-bit guest-state fields.

Table 6-5. Encodings for 64-Bit Guest-State Fields (0010_10xx_xxxx_xxxAb)

Field Name	Index	Encoding
Guest IA32_LBR_CTL (full) ¹	000001011B	00002816H
Guest IA32_LBR_CTL (high) ¹		00002817H

NOTES:

1. This field exists only on processors that support either the 1-setting of the "load IA32_LBR_CTL" VM-entry control or that of the "clear IA32_LBR_CTL" VM-exit control.

6.1.4.3 Intel® SGX

On entry to an enclave, via EENTER or ERESUME, logging of LBR entries is suspended. On enclave exit, via EEXIT or AEX, logging resumes. The cycle counter will continue to run during enclave execution.

An exception to the above is made for opt-in debug enclaves. For such enclaves, LBR logging is not impacted.

6.1.4.4 Debug Breakpoints

On a debug breakpoint event (#DB), IA32_LBR_CTL.LBREN is cleared. As a result, the operation is not recorded.

6.1.4.5 SMX

On GETSEC leaves SENTER or ENTERACCS, IA32_LBR_CTL is cleared. As a result, the operation is not recorded.

6.1.4.6 MWAIT

On an MWAIT that requests a C-state deeper than C1, IA32_LBR_x_* MSR may be cleared to 0. IA32_LBR_CTL, IA32_LBR_DEPTH, and IA32_LER_* MSRs will be preserved.

For an MWAIT that enters a C-states equal to or less deep than C1, and all C-states entered as a result of Hardware Duty Cycling (HDC), all LBR MSRs are preserved.

6.1.4.7 Precise Event-Based Sampling (PEBS)

PEBS records can be configured to include LBRs, by setting PEBS_DATA_CFG.LBREN[3]=1. The number of LBRs to include in the record is also configurable, via PEBS_DATA_CFG.NUM_LBRS[28:24]. For details on PEBS, see Section 18.9 of the *Intel® 64 and IA-32 Architectures Software Developer’s Manual, Volume 3B*.

If NUM_LBRS is set to a value greater than LBR_DEPTH, then only LBR_DEPTH entries will be written into the PEBS record. Further, the Record Size field will be decreased to match the actual size of the record to be written, and the Record Format field will replace the value of NUM_LBRS with the value of LBR_DEPTH. These adjustments ensure that software is able to properly interpret the PEBS record.

6.2 MSRS

The MSRs that represent the LBR entries (IA32_LBR_x_[TO|FROM|INFO]) and the LER entry (IA32_LER_[TO|FROM|INFO]) do not fault on writes. Any address field written will force sign-extension based on the maximum linear address width supported by the processor, and any non-zero value written to undefined bits may be ignored such that subsequent reads return 0.

On a warm reset, all LBR MSRs, including IA32_LBR_DEPTH, have their values preserved. However, IA32_LBR_CTL.LBREN is cleared to 0, disabling LBRs. If a warm reset is triggered while the processor is in C6, also known as warm init, all LBR MSRs will be reset to their initial values.

Table 6-6. Introduction of New MSRs

Register Address		Register Name / Bit Fields	Bit Description	Reset Value
Hex	Dec			
1DD H	477	IA32_LER_FROM_IP	Last Event Record Source IP Register (R/W)	
		63:0	FROM_IP The source IP of the recorded branch or event, in canonical form.	0
1DEH	478	IA32_LER_TO_IP	Last Event Record Destination IP Register (R/W)	
		63:0	TO_IP The destination IP of the recorded branch or event, in canonical form.	0
1E0H	480	IA32_LER_INFO	Last Event Record Info Register (R/W)	
		55:0	Undefined, may be zero or non-zero. Writes of non-zero values do not fault, but reads may return a different value.	0
		59:56	BR_TYPE The branch type recorded by this LBR. Encodings match those of IA32_LBR_x_INFO.	0
		60	Undefined, may be zero or non-zero. Writes of non-zero values do not fault, but reads may return a different value.	0
		61	TSX_ABORT This LBR record is a TSX abort. On processors that do not support Intel® TSX (CPUID.07H.EBX.HLE[bit 4]=0 and CPUID.07H.EBX.RTM[bit 11]=0), this bit is undefined.	0
		62	IN_TSX This LBR record records a branch that retired during a TSX transaction. On processors that do not support Intel® TSX (CPUID.07H.EBX.HLE[bit 4]=0 and CPUID.07H.EBX.RTM[bit 11]=0), this bit is undefined.	0
		63	MISPRED The recorded branch taken/not-taken resolution (for JCCs) or target (for any indirect branch, including RETs) was mispredicted.	0
1200H - 121FH	4608 - 4639	IA32_LBR_x_INFO	Last Branch Record Entry X Info Register (R/W) An attempt to read or write IA32_LBR_x_INFO such that x ≥ IA32_LBR_DEPTH.DEPTH will #GP.	
		15:0	CYC_CNT The elapsed CPU cycles (saturating) since the last LBR was recorded. See Section 6.1.3.3.	0
		55:16	Undefined, may be zero or non-zero. Writes of non-zero values do not fault, but reads may return a different value.	0

Table 6-6. Introduction of New MSRs (Contd.)

Register Address		Register Name / Bit Fields	Bit Description	Reset Value
Hex	Dec			
		59:56	BR_TYPE The branch type recorded by this LBR. Encodings: 0000B: JCC 0001B: JMP Indirect 0010B: JMP Direct 0011B: CALL Indirect 0100B: CALL Direct 0101B: RET 011xB: Reserved 1xxxB: Other Branch	0
		60	CYC_CNT_VALID CYC_CNT value is valid. See Section 6.1.3.3.	0
		61	TSX_ABORT This LBR record is a TSX abort. On processors that do not support Intel TSX (CPUID.07H.EBX.HLE[bit 4]=0 and CPUID.07H.EBX.RTM[bit 11]=0), this bit is undefined.	0
		62	IN_TSX This LBR record records a branch that retired during a TSX transaction. On processors that do not support Intel TSX (CPUID.07H.EBX.HLE[bit 4]=0 and CPUID.07H.EBX.RTM[bit 11]=0), this bit is undefined.	0
		63	MISPRED The recorded branch direction (Jcc) or target (indirect branch) was mispredicted.	0
14CEH	5326	IA32_LBR_CTL	Last Branch Record Enabling and Configuration Register (R/W)	0
		0	LBREn When set, enables LBR recording.	0
		1	OS When set, allows LBR recording when CPL == 0.	0
		2	USR When set, allows LBR recording when CPL != 0.	0
		3	CALL_STACK When set, records branches in call-stack mode. See Section 6.1.2.4.	0
		15:4	Reserved.	0
		16	JCC When set, records taken conditional branches. See Section 6.1.2.3.	
		17	NEAR_REL_JMP When set, records near relative JMPs. See Section 6.1.2.3.	
		18	NEAR_IND_JMP When set, records near indirect JMPs. See Section 6.1.2.3.	

Table 6-6. Introduction of New MSRs (Contd.)

Register Address		Register Name / Bit Fields	Bit Description	Reset Value
Hex	Dec			
		19	NEAR_REL_CALL When set, records near relative CALLs. See Section 6.1.2.3.	
		20	NEAR_IND_CALL When set, records near indirect CALLs. See Section 6.1.2.3.	
		21	NEAR_RET When set, records near RETs. See Section 6.1.2.3.	
		22	OTHER_BRANCH When set, records other branches. See Section 6.1.2.3.	
		63:23	Reserved.	
14CFH	5327	IA32_LBR_DEPTH	Last Branch Record Maximum Stack Depth Register (R/W)	
		N:0	DEPTH The number of LBRs to be used for recording. Supported values are indicated by the bitmap in CPUID.(EAX=01CH,ECX=0):EAX[7:0]. The reset value will match the maximum supported by the CPU. Writes of unsupported values will #GP fault.	Varies
		63:N+1	Reserved.	0
1500H - 151FH	5376 - 5407	IA32_LBR_x_FROM_IP	Last Branch Record entry X source IP register (R/W). An attempt to read or write IA32_LBR_x_FROM_IP such that x >= IA32_LBR_DEPTH.DEPTH will #GP.	
		63:0	FROM_IP The source IP of the recorded branch or event, in canonical form. Writes to bits above MAXLINADDR-1 are ignored.	0
1600H - 161FH	5632 - 5663	IA32_LBR_x_TO_IP	Last Branch Record Entry X Destination IP Register (R/W) An attempt to read or write IA32_LBR_x_TO_IP such that x >= IA32_LBR_DEPTH.DEPTH will #GP.	
		63:0	TO_IP The destination IP of the recorded branch or event, in canonical form. Writes to bits above MAXLINADDR-1 are ignored.	0

6.3 CONTEXT SWITCH

On processors whose XSAVE feature set supports XSAVES and XRSTORS, the availability of support for Architectural LBR configuration state save and restore can be determined from CPUID.(EAX=0DH, ECX=1):EDX:ECX[bit 15]. When available, the Architectural LBR state can be saved using XSAVES and restored by XRSTORS, in conjunction with the bit field associated with the supervisory state component in IA32_XSS. See Chapter 13, “Managing State Using the XSAVE Feature Set” of the *Intel® 64 and IA-32 Architectures Software Developer’s Manual, Volume 1*.

The IA32_XSS MSR is zero coming out of RESET. Once IA32_XSS[bit 15] is set, system software operating at CPL=0 can use XSAVES/XRSTORS with the appropriate requested- feature bitmap (RFBM) to manage supervisor state components in the XSAVE map. The layout of the Architectural LBR component state in the XSAVE area is shown in Table 6-7.

Table 6-7. LBR VMCS Fields

Offset Within Component Area	Field
0H	IA32_LBR_CTL
8H	IA32_LBR_DEPTH
10H	IA32_LER_FROM_IP
18H	IA32_LER_TO_IP
20H	IA32_LER_INFO
28H	IA32_LBR_0_FROM_IP
30H	IA32_LBR_0_TO_IP
38H	IA32_LBR_0_INFO
40H	IA32_LBR_1_FROM_IP
...	...
320H	IA32_LBR_31_INFO

Regardless of the number of LBRS supported by the processor, the size of the LBR state save region is constant.

6.3.1 XSAVE and LBR Depth

The behavior of XSAVES and XRSTORS when IA32_XSS[bit 15] is set depends on the value of IA32_LBR_DEPTH.DEPTH. When restoring IA32_LBR_x_* MSR, only those MSRs associated with entries 0 through DEPTH-1 are saved or restored. Others are not accessed. For this reason, use of XSAVES and XRSTORS with a reduced DEPTH value can result in reduced context switch latency.

IA32_LBR_DEPTH is saved by XSAVES, but it is not written by XRSTORS in any circumstance. Instead, XRSTORS reads the saved IA32_LBR_DEPTH value and does the following.

- #GP if the saved value has any reserved bit or reserved value violations.
- Compare the saved value with the IA32_LBR_DEPTH MSR.
 - On a mismatch, the IA32_LBR_x_* MSRs are cleared to 0, while the IA32_LBR_CTL and LER MSRs are restored.

If there is no reserved bit or reserved value fault, and no depth mismatch, LBR state restore proceeds as normal. If any reserved bits in IA32_LBR_CTL are set a #GP will result.

Note that the end of the Architectural LBR State Component memory region may be accessed by XSAVES and XRSTORS, even when the DEPTH is reduced. Thus the pages for this memory region should be present and writable.

6.3.2 INIT and MOD Tracking

XSTATE_BV[bit 15] indicates the INIT state for Architectural LBRS. INIT tracking for Architectural LBRS includes all LBR MSRs with the exception of IA32_LBR_DEPTH. Any software write to a tracked LBR MSR renders MSRs non-INIT, with the exception of writes of value 0 to IA32_LBR_CTL.

An XRSTORS with XSTATE_BV[bit 15] set to 0 will clear all LBR MSRs, with the exception of IA32_LBR_DEPTH, to 0. Such an XRSTORS will not compare the current value of IA32_LBR_DEPTH with the value to be restored, since LBRS will not be in use upon completion of the restore. IA32_LBR_DEPTH is not modified by XRSTORS in any scenario.

An XSAVES with XINUSE[bit 15] set to 0 will clear XSTATE_BV[bit 15], but otherwise does not write to the Architectural LBR component state save area.

Note that this XSAVES behavior implies that the saved value of IA32_LBR_DEPTH could become stale while the rest of the LBRS are INIT, since modifications to IA32_LBR_DEPTH do not effect INIT tracking. This will have no impact on LBR behavior, as a subsequent XRSTORS that detects a depth mismatch will either ignore the IA32_LBR_DEPTH value (if XSTATE_BV[bit15]=0) or will re-initialize the IA32_LBR_x_* MSRs (if XSTATE_BV[bit 15]=1).

On XRSTORS with IA32_LBR_DEPTH mismatch, INIT tracking is not modified.

There is no MOD tracking for Architectural LBRS; they should be treated as modified anytime they are not in INIT state.

It is recommended that software initialize the Architectural LBR State Component memory to all zeros, and to clear XSTATE_BV[bit 15].

6.3.3 Fast LBR Read Access

XSAVES provides a faster means than RDMSR for software to read all LBRS. When using XSAVES for reading LBRS rather than for context switch, software should take care to ensure that XSAVES does not write LBR state to an area of memory that has been or will be used by XRSTORS. This could corrupt INIT tracking.

6.3.4 XRSTORS Faulting

If an XRSTORS with IA32_XSS[bit 15] set to 1 faults for any reason, LBR MSRs may retain the pre-XRSTORS values, or may hold the newly restored values, or may be left in a state of partial restoration.

6.4 ENUMERATION

6.4.1 CPUID for Architectural LBRS

If CPUID.(EAX=07H, ECX=0):EDX[19] is set to 1, the processor supports Architectural LBRS. In this case, CPUID leaf 01CH indicates details of the Architectural LBRS capabilities. The leaf 01CH format is shown in Table 6-8.

Table 6-8. CPUID Leaf 01CH Enumeration of Architectural LBR Capabilities

CPUID.(EAX=01CH, ECX=0)		Name	Description
Register	Bits		
EAX	7:0	Supported LBR Depth Values	For each bit n set in this field, the IA32_LBR_DEPTH.DEPTH value $8^{*(n+1)}$ is supported.
	29:8	Reserved	Reserved.
	30	Deep C-state Reset	If set, indicates that LBRS may be cleared on an MWAIT that requests a C-state numerically greater than C1.
	31	IP Values Contain LIP	If set, LBR IP values contain LIP. If clear, IP values contain EIP.
EBX	0	CPL Filtering Supported	If set, the processor supports setting IA32_LBR_CTL[2:1] to non-zero value.
	1	Branch Filtering Supported	If set, the processor supports setting IA32_LBR_CTL[22:16] to non-zero value.
	2	Call-stack Mode Supported	If set, the processor supports setting IA32_LBR_CTL[3] to 1.
	31:3	Reserved	Reserved.

Table 6-8. CPUID Leaf 01CH Enumeration of Architectural LBR Capabilities (Contd.)

CPUID.(EAX=01CH, ECX=0)		Name	Description
Register	Bits		
ECX	0	Mispredict Bit Supported	IA32_LBR_x_INFO[63] holds indication of branch misprediction (MISPRED)
	1	Timed LBRs Supported	IA32_LBR_x_INFO[15:0] holds CPU cycles since last LBR entry (CYC_CNT), and IA32_LBR_x_INFO[60] holds an indication of whether the value held there is valid (CYC_CNT_VALID).
	2	Branch Type Field Supported	IA32_LBR_INFO_x[59:56] holds indication of the recorded operation's branch type (BR_TYPE).
	31:3	Reserved	Reserved.
EDX	31:0	Reserved	Reserved.

For leaf 01CH, CPUID will ignore the ECX value.

6.4.2 CPUID for XSAVE LBR Support

XSAVE support for Architectural LBRs is enumerated in CPUID.(EAX=0DH, ECX=0FH); see details in Table 6-9.

Table 6-9. CPUID Leaf 0DH.0FH Enumeration of XSAVE Support for Architectural LBRs

CPUID.(EAX=0DH, ECX=0FH)		Name	Description
Register	Bits		
EAX	31:0	Size	Size, in bytes, of the Arch LBR save area.
EBX	31:0	Offset	Offset, in bytes, of the start of the Arch LBR save area from the beginning of the XSAVE/XRSTOR area.
ECX	0	Supervisor State	Set if bit 15 is supported in the IA32_XSS MSR; it is clear if bit 15 is instead supported in XCRO.
	1	Aligned	Set if, when the compacted format of an XSAVE area is used, this extended state component located on the next 64-byte boundary following the preceding state component. Otherwise, it is located immediately following the preceding state component.
	31:2	Reserved	Reserved.
EDX	31:0	Reserved	Reserved.

6.4.3 Enumeration for New VMCS Fields

New VMX controls and fields also include new enumeration bits.

- IA32_VMX_TRUE_EXIT_CTLMS MSR (address 048FH) and IA32_VMX_EXIT_CTLMS MSR (address 0483H) will have bit 26 set to 0, indicating allowed 0-setting of "Clear IA32_LBR_CTL" exit control, and bit 58 set to 1, indicating allowed 1-setting of "Clear IA32_LBR_CTL" exit control.
- IA32_VMX_TRUE_ENTRY_CTLMS MSR (address 0490H) and IA32_VMX_ENTRY_CTLMS MSR (address 0484H) will have bit 21 set to 0, indicating allowed 0-setting of "Load Guest IA32_LBR_CTL" exit control, and bit 53 set to 1, indicating allowed 1-setting of "Load Guest IA32_LBR_CTL" exit control.

Bit 53 also indicates support for the "Guest IA32_LBR_CTL" guest state field.

6.5 OTHER IMPACTS

6.5.1 Branch Trace Store on Intel Atom Processors

Branch Trace Store (BTS) on Intel Atom processors that support Architectural LBRs has dependencies on the LBR configuration. BTS will store out the LBR_0 (TOS) record each time a taken branch or event retires. If any filtering of LBRs is employed, or if LBRs are disabled, some duplicate entries may be stored by BTS. Like LBRs and LERs, BTS is suspended when IA32_PERF_GLOBAL_STATUS.LBR_FRZ is set to 1.

BTS will change to cease issuing branch records for zero-length CALLs (direct near CALLs to the next sequential IP) to align with Architectural LBR behavior.

6.5.2 IA32_DEBUGCTL

On processors that do not support model-specific LBRs, IA32_DEBUGCTL[bit 0] has no meaning. It can be written to 0 or 1, but reads will always return 0.

6.5.3 IA32_PERF_CAPABILITIES

On processors that do not support model-specific LBRs, IA32_PERF_CAPABILITIES.LBR_FMT will have the value 03FH.

CHAPTER 7

NON-WRITE-BACK LOCK DISABLE ARCHITECTURE

Locked read-modify-write (RMW) to a memory operation is used explicitly by several Intel architecture set instructions, such as ADD with a lock prefix, and explicitly by other instructions and flows, such as updating a segment access bit or page tables access/dirty bits.

Locked RMW access is usually handled through processor cache in the lower hierarchies, and it only impacts software running on same logical processors that share this cache.

If the memory type of this locked RMW is not write-back, the processor can't handle it within the internal cache and will issue a bus lock operation. This operation will block all logical processors and devices from accessing memory until the operation has completed.

Having a burst of bus locks by one of the logical processors may cause starvation to the rest of the logical processors and devices.

The new architecture will allow software to disable non-WB lock operation. Once the feature is enabled, performing a non-WB lock operation by software will generate a general protection fault (#GP).

7.1 ENUMERATION

The non-write-back lock disable capability will be enumerated through a model specific bit (bit 4) in the IA32_CORE_CAPABILITIES MSR.

Table 7-1. IA32_CORE_CAPABILITIES MSR

Register Address		Architectural MSR Name / Bit Fields	Description
Hex	Decimal		
CFH	207	IA32_CORE_CAPABILITIES	IA32 Core Capability Register
		3:0	Reserved
		4	Non-WB Lock disable #GP(0) exception for non-WB locked accesses supported.
		5	Split Lock disable #AC(0) exception for split locked accesses supported.
		63:6	Reserved

7.2 ENABLING

This model specific feature will add a new MSR control bit (bit 28) in the TEST_CTRL MSR in order to generate a general protection fault (#GP) each time a non-WB load lock is detected.

Table 7-2. TEST_CTRL MSR

Register Address		Architectural MSR Name / Bit Fields	Description
Hex	Decimal		
33H	55	TEST_CTRL	Test Control Register
		27:0	Reserved
		28	Enable #GP(0) exception for non-write-back locked accesses.
		29	Enable #AC(0) exception for split locked accesses.
		31:30	Reserved

7.3 INTERACTION WITH INTEL® SOFTWARE GUARD EXTENSIONS (INTEL® SGX)

Processor Reserved Memory (PRM) used for Intel® SGX used can run with non-WB memory accesses by following the steps below.

1. Configure the Memory Type field (bits 2:0) of MSR_PRMRR_BASE_0 (address 2A0H) to be non-WB.
2. Set the cache disable (bit 30) of CR0.

When the processor is configured in this manner, the processor will not generate #GP(0) as a result of locked accesses to non-WB memory when EPT is enabled, even if the non-WB lock disable (bit 28) of TEST_CTRL MSR (address 33H) is set to 1.

7.4 INTERACTION WITH VMX ARCHITECTURE

There are two cases where a locked cycle can be issued on a VMM configuration with non-WB memory type.

1. VMM enabled EPT and EPT A/D and configured EPT memory type to non-WB. In this case, EPT A/D assist will issue a locked load to non-WB memory.
2. VMM set "process posted interrupts" VM-execution control, posted-interrupt descriptor mapped to non-WB memory type. Posted interrupt processing will update the descriptor with locked load to non-WB memory.

When the processor is configured in this manner, the processor will not generate #GP(0) as a result of a locked access to non-WB memory when EPT is enabled even if the non-WB lock disable (bit 28) of TEST_CTRL MSR (address 33H) is set to 1.

7.5 EXPECTED SOFTWARE BEHAVIOR

Software can ensure that bus locks as a result of non-WB locked access are never taken, or at least a general protection fault is signaled, by performing the following operations:

- Set Non-WB Lock Disable (bit 28) of the TEST_CTRL MSR (address 33H).
- Do not set Cache Disable (bit 30) of CR0.
- Configure MSR_PRMRR_BASE_0 (address 2A0H) Memory Type field (bits 2:0) to WB memory type only.
- For a VMM that enabled EPT and EPT A/D, bits must configure EPT paging structures to WB memory type.
- For a VMM that enabled posted-interrupt via the "process posted interrupts" VM-execution control, ensure the posted-interrupt descriptor is mapped to WB memory type.

7.6 BUS LOCKS

Cases for bus locks than can come from non-WB Lock operation are shown in Table 7-3.

Table 7-3. Bus Locks from Non-WB Operation

Category	Instructions/Flows	Conditions
Arithmetic	LOCK + {ADD, SUB, AND, OR, XOR, ADC, SBB, INC, DEC, NOT, NEG}	
Compare/Test	LOCK + {BTC, BTR, BTS}	
Exchange	XCHG, LOCK XADD/CMPXCHG/XCHG	
Segmentation	LSL, LAR, VERR, VERW LDS, LES, LFS, LGS, LSS MOV DS, MOV ES, MOV FS, MOV GS, MOV SS POP DS, POP ES, POP FS, POP GS, POP SS	Setting segment accessed bit in descriptor in non-WB memory.
Call / Interrupt / Exception	Far call, Far JMP Far RET, IRET INTn, INT3, INTO, INT1 Call through interrupt/trap gate	Setting segment accessed bit in descriptor in non-WB memory.
Tasking	LTR, Task Switch	Setting/Clearing TSS busy when TSS in non-WB memory. Setting segment accessed bit in descriptor in non-WB memory.
Paging	Code fetch (A bit update), All instructions that have memory operands (A/D bits update)	Page tables in non-WB memory.
Enclave	ENCLU, ENCLS, AEX	
Posted Interrupts	Updating the posted interrupt descriptor uses locked RMW for atomic operations	Posted interrupt descriptor in non-WB memory.

CHAPTER 8

BUS LOCK AND VM NOTIFY

8.1 BUS LOCK DEBUG EXCEPTION

A logical processor can be configured to generate a debug exception (#DB) following acquisition of a bus lock. Software enables these debug exceptions by setting bit 2 of the IA32_DEBUGCTL MSR. The CPU enumerates support for the 1-setting of this bit using CPUID.(EAX=7, ECX=0).ECX[24].

A debug exception due to acquisition of a bus lock is reported as a trap following execution of the instruction acquiring the bus lock. The processor identifies such debug exceptions using bit 11 of DR6. Because DR6[11] has formerly always been 1, delivery of a bus-lock #DB **clears** DR6[11]. All other debug exceptions leave bit 11 unmodified. To avoid confusion in identifying debug exceptions, software debug-exception handlers should set bit 11 to 1 before returning to the interrupted task.

A VM exit sets bit 11 of the pending debug exception field in the guest-state area of the VMCS to indicate that a bus lock debug exception was pending but not delivered. A VM exit that sets this bit also sets bit 12 of that field. (VM exits also sets bit 12 to indicate that at least one data or I/O breakpoint was met and was enabled in DR7, or that a debug exception related to advanced debugging of RTM transactional regions occurred.)

8.1.1 Bus Lock VM Exit

A VMM can enable VM exit on a bus lock that was acquired in VMX non-root operation by setting secondary processor-based execution control bit 30. A processor enumerates support for the 1-setting of this control by setting bit 62 of the IA32_VMX_PROCBASED_CTLX2 MSR. When enabled, the processor generates a VM exit with exit reason 74 if the processor detected one or more bus locks were caused during execution in VMX non-root operation. Such a VM exit is trap-like and is delivered following execution of the instruction acquiring the bus lock. If delivery of this VM exit was pre-empted by a higher priority VM exit, then bit 26 of the exit-reason field in the VMCS is set to 1.

8.2 NOTIFY VM EXIT

A VMM can enable **notification VM exits to occur** if no interrupt windows occur in VMX non-root operation for a specified amount of time (**notify window**). These VM exits are enabled by setting bit 31 of the secondary processor-based execution control. A processor enumerates support for the 1-setting of this control by setting bit 63 of the IA32_VMX_PROCBASED_CTLX2 MSR. The VMM configures the notify window in units of crystal clock cycles in a new 32-bit VM-execution control field in the VMCS (notify window) that can be accessed with the VMREAD and VMWRITE instructions using encoding 00004024H.

A notification VM exit reports basic exit reason 75 and exit qualification determined as follows:

- Bit 0 - VM context invalid.
- Bits 11:1 are reserved.
- Bit 12 - if set the VM exit was incident to an execution of IRET that unblocked NMIs.
- All other bits are reserved.

If the VMM-notify VM exit occurred incident to delivery of a vectored event, then IDT vectoring information and applicable error code are recorded in the VMCS.

CHAPTER 9

INTEL® RESOURCE DIRECTOR TECHNOLOGY FEATURE UPDATES

Intel® Resource Director Technology (Intel® RDT) provides a number of monitoring and control capabilities for shared resources in multiprocessor systems. This chapter covers updates to the feature that will be available in future Intel processors.

9.1 INTEL® RDT FEATURE CHANGES

9.1.1 Intel® RDT on Processors Based on Ice Lake Server Microarchitecture

Processors based on Ice Lake Server microarchitecture add the following Intel RDT enhancements:

- 32-bit MBM counters (vs. 24-bit in prior generations), and new CPUID enumeration capabilities for counter width.
- Second Generation Memory Bandwidth Allocation (MBA 2.0): Introduces an advanced hardware feedback controller which operates at microsecond timescales, and software-selectable min/max delay value resolution capabilities. Note that delay values may be thought of as “throttling values” applied to the threads running on a core, as described in the *Intel® 64 and IA-32 Architectures Software Developer’s Manual, Volume 3B*. MBA 2.0 also adds a work-conserving feature in which applications that frequently access the L3 cache may be throttled by a lesser amount until they exceed the user-specified memory bandwidth usage threshold, enhancing system throughput and efficiency, in addition to adding more precise calibration and controls.
- 15 MBA / L3 CAT CLOS: Improved feature consistency and interface flexibility. The previous generation of processors supported 16 L3 CAT CLOS, but only 8 MBA 1.0 CLOS. The changes in enumerated CLOS counts per-feature are already enumerated in the architecture via CPUID.

9.1.2 Intel® RDT on Intel Atom® Processors Based on Tremont Microarchitecture

Intel Atom® processors based on Tremont microarchitecture add the following Intel RDT enhancements:

- L2 CAT/CDP: L2 CAT/CDP and L3 CAT/CDP enabled simultaneously. As these are legacy features already defined, no new software enabling should be required.
- Matches Ice Lake Server microarchitecture support for traditional Intel RDT uncore features: L3 CAT/CDP, CMT, MBM, MBA 2.0. As these features are architectural, no new software enabling is required aside from MBA 2.0.
- New features added in Ice Lake Server microarchitecture also carry forward to Tremont microarchitecture, with the same software enabling required. These features include 32-bit MBM counters, MBA 2.0, and 15 MBA/L3 CAT CLOS.

9.1.3 Intel® RDT in Processors Based on Sapphire Rapids Server Microarchitecture

Processors based on Sapphire Rapids Server microarchitecture add the following Intel RDT enhancements:

- L2 CAT and CDP: Includes control over the L2 cache and the ability to partition the L2 cache into separate code and data virtual caches. No new software enabling is required; this is the same behavior as described in the *Intel® 64 and IA-32 Architectures Software Developer’s Manual, Volume 3B*.
- Third Generation Memory Bandwidth Allocation (MBA 3.0): New per-thread capability for bandwidth control, enabling precise bandwidth shaping and noisy neighbor control. Some portions of the control infrastructure now operate at core frequencies for controls which are responsive at the nanosecond level.
- STLB QoS: Capability to manage the second-level translation lookaside buffer structure within the core (STLB) in a manner quite similar to CAT (CLOS-based, with capacity masks). This may enable software which is sensitive to TLB performance to achieve better determinism. This is a model-specific feature due to the microarchitectural nature of the STLB structure. The code regions of interest must be manually accessed.

9.2 ENUMERABLE MEMORY BANDWIDTH MONITORING COUNTER WIDTH

Memory Bandwidth Monitoring (MBM) is an Intel RDT feature which tracks total and local bandwidth generated which misses the L3 cache.

The original Memory Bandwidth Monitoring (MBM) architectural definition defines counters of up to 62 bits in the IA32_QM_CTR MSR, and the first-generation MBM implementation used 24-bit counters. Software is required to poll at ≥ 1 Hz to ensure that data is retrieved before a counter rollover occurs more than once. This ≥ 1 Hz sampling ensures that under worst-case conditions rollover between samples occurs at most once, but under more typical conditions rollover typically requires multiple seconds to occur.

As bandwidths scale, extensions to more elegantly handle high-bandwidth future systems are desirable. One of these extensions, detailed in this chapter, includes an enumerable MBM counter width. Ice Lake Server microarchitecture utilizes this definition to implement 32-bit MBM counters, but future growth should be anticipated.

9.2.1 Memory Bandwidth Monitoring (MBM) Enabling

Memory Bandwidth Monitoring, like other Intel RDT features, uses CPUID for enumeration, and MSRs for assigning RMIDs and retrieving counter data. For CPUID enumeration details, see the *Intel® 64 and IA-32 Architectures Software Developer's Manual, Volume 2A*. For additional MBM details, see Chapter 17 in the *Intel® 64 and IA-32 Architectures Software Developer's Manual, Volume 3B*.

9.2.2 Augmented MBM Enumeration and MSR Interfaces for Extensible Counter Width

A field is added to CPUID to enumerate the MBM counter width in platforms which support the extensible MBM counter width feature.

Prior to this point, CPUID.0F.[ECX=1]:EAX was reserved. This CPUID output register (EAX) is redefined to provide two new fields:

- Encode counter width as offset from 24b in bits[7:0].
- An overflow bit in bit[8].

See “CPUID—CPU Identification” in Chapter 1 for details.

In EAX bits 7:0, the counter width is encoded as an offset from 24b. A value of zero in this field means 24-bit counters are supported. A value of 8 indicates that 32-bit counters are supported, as in processors based on Ice Lake Server microarchitecture.

With the addition of this enumerable counter width, the requirement that software poll at ≥ 1 Hz is removed. Software may poll at a varying rate with reduced risk of rollover, and under typical conditions rollover is likely to require hundreds of seconds (though this value is not explicitly specified, and may vary and decrease over time). If software seeks to ensure that rollover does not occur more than once between samples, then sampling at ≥ 1 Hz while consuming the enumerated counter widths' worth of data will provide this guarantee, for a specific platform and counter width, under all conditions.

Software which uses the MBM event retrieval MSR interface should be updated to comprehend this new format, which enables up to 62-bit MBM counters to be provided by future platforms. Higher-level software which consumes the resulting bandwidth values is not expected to be affected.

9.3 SECOND GENERATION MEMORY BANDWIDTH ALLOCATION

The second generation of Memory Bandwidth Allocation (MBA 2.0) is implemented in processors based on Ice Lake Server microarchitecture, and improves the behavior and accuracy of MBA, along with providing increased throughput while using the feature and greater efficiency. Rather than a strict bandwidth control mechanism, a more dynamic hardware controller is used internally which can react to changing bandwidth conditions at the microsecond level.

Prior to using the MBA 2.0 feature, the MBA 2.0 hardware controller requires a BIOS-assisted calibration process which may include inputs such as the number of memory channels populated and other system parameters; this is

a change from MBA 1.0 which did not require this. Intel BIOS reference code includes a default configuration which is recommended for general usage.

MBA 2.0 in Ice Lake Server and Tremont microarchitectures moves from static throttling at the core/uncore interface to a more dynamic control scheme based on a hardware controller that tracks actual DRAM bandwidth. This allows software which uses primarily the L3 cache to observe increased throughput for a given throttling level, or benefits for software which exhibits L3-bound phases. Due to the closer consideration of memory bandwidth loading, this enhancement may lead to an increase in system efficiency when using MBA 2.0, relative to MBA 1.0.

MBA 1.0 is established as a legacy feature. Backward compatibility of the software interfaces is preserved, and MBA 2.0 changes manifest as enhancements atop the MBA 1.0 baseline.

As with the prior generation feature, MBA 2.0 uses CPUID for enumeration, and throttling is performed using a mapping created from software thread-to-CLOS (in the IA32_PQR_ASSOC MSR) which is then mapped per-CLOS to delay values via the IA32_L2_QoS_Ext_BW_Thrtl_n MSRs. User software specifies a per-CLOS delay value, 0-90% bandwidth throttling for instance, though the max and granularity are platform dependent and enumerated in CPUID.

9.3.1 MBA 2.0 Advantages

MBA 2.0 adds some additional features over MBA 1.0 as described below.

1. Previously, only the maximum delay value across two CLOS on a physical core could be selected in MBA. MBA 2.0 allows a minimum delay value to also be selected.
2. Only a single calibration table was possible in MBA 1.0, meaning different memory configurations had different linearity / percent delay value error values depending on the configuration. This is addressed by the BIOS support in MBA 2.0, and certain BIOS implementations may program a different calibration table per memory configuration, for instance.
3. The MBA 2.0 controller provides the ability to more closely monitor the memory bandwidth loading and deliver more optimal results.
4. MBA 2.0 includes a hardware controller, reducing the need for a fine-grained software controller to manage application phases. (A software controller is still valuable to translate MBA throttling values to bandwidths in GB/s or application SLAs.)

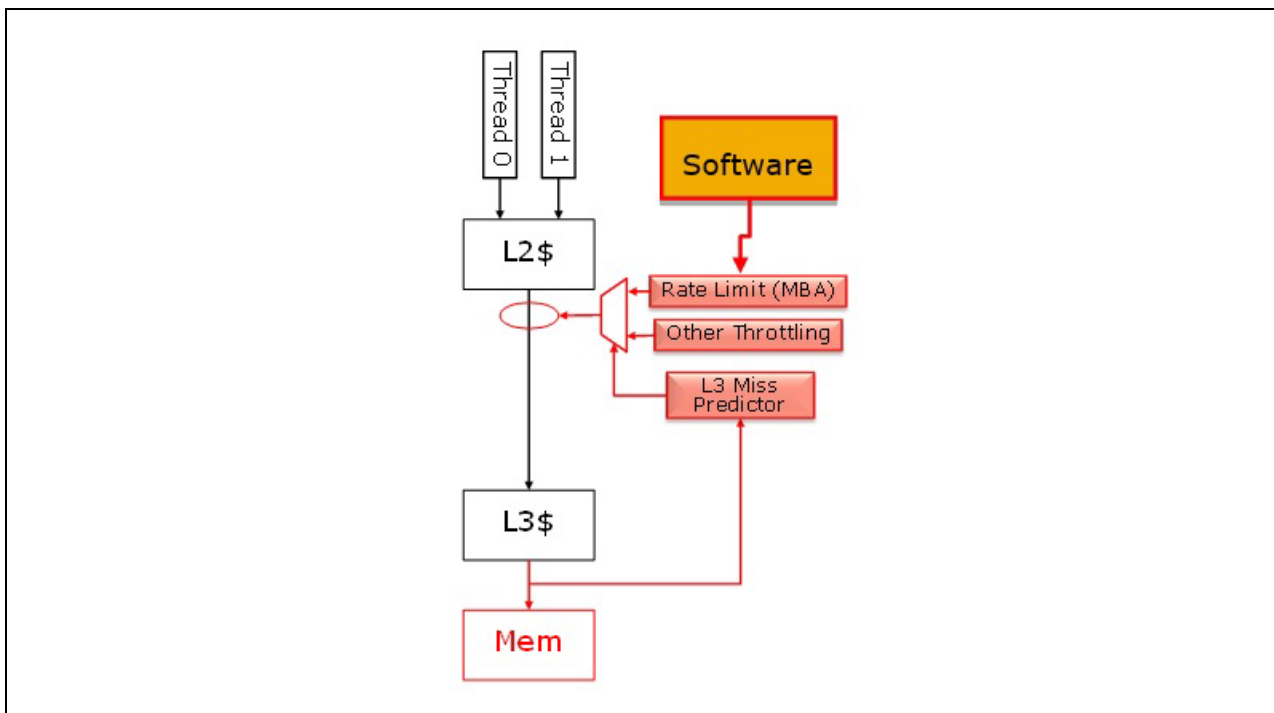


Figure 9-1. MBA 2.0 Concept Based Around a Hardware Controller

MBA 2.0 implementation is shown in Figure 9-1. MBA 2.0 operates through the use of an advanced new hardware controller and feedback mechanism which allows automated hardware monitoring and control around the user-provided delay value set point. This set point and associated delay value infrastructure remains unchanged from MBA 1.0, preserving software compatibility.

MBA 2.0 enhancements over MBA 1.0, in addition to the new hardware controller, include:

1. Configurable delay selection across threads.
 - MBA 1.0 implementation statically picks the max MBADelay across the threads running on a core (by calculating value = $\max(\text{delayValue}(\text{CLOS}[\text{thread0}]), \text{delayValue}(\text{CLOS}[\text{thread1}])))$).
 - Software may have the option to pick either maximum or minimum delay to be resolved and applied across the threads; maximum value remains the default.
2. Increasing CLOSIDs from 8 to 15.
 - Skylake Server microarchitecture has 8 CLOSIDs for MBA 1.0.
 - Ice Lake Server microarchitecture increases this value to 15 (also consistent with L3 CAT).

9.3.2 MBA 2.0 Software-Visible Changes

A new MSR is introduced with MBA 2.0 to allow software to select from the maximum (default) or minimum of resolved delay values (see formula above). This capability is controlled via a bit in the new MBA_CFG MSR, shown below.

Table 9-1. MBA_CFG MSR Definition

Register Address		Architectural MSR Name / Bit Fields	Description
Hex	Decimal		
C84H	3204	MBA_CFG	MBA Configuration Register
		0	Min (1) or max (0) of per-thread MBA delays.
		63:1	Reserved. Attempts to write to reserved bits result in a #GP(0).

Note that bit[0] for min/max configuration is supported in MBA 2.0, but is removed when MBA 3.0 moves the controller logic to per-thread capable. This transient feature existence is why the min/max control remains model-specific.

To enumerate and manage support for the model-specific min/max feature, software may use processor family/model/stepping to match supported products, then CPUID to later detect MBA 3.0 support.

9.4 THIRD GENERATION MEMORY BANDWIDTH ALLOCATION

The third generation MBA (MBA 3.0) feature on Sapphire Rapids microarchitecture further enhances the feature with per-thread control and a further improved controller design.

MBA 3.0 follows the past MBA precedent of delivering significant enhancements without a major software overhaul, and while preserving backward compatibility.

9.4.1 MBA 3.0 Hardware Changes

MBA 3.0 builds upon the hardware controller introduced with MBA 2.0, which enabled significant system-level benefits, and removes the per-core throttling limitation. Throttling values are no longer selected as the “min” or “max” of the two delay values for the threads running on the core, instead throttling values are directly applied to the threads running on the core.

While this means that more direct throttling of threads is possible, future usage guidance may be necessary to help explain the effects of Intel® Hyper-Threading Technology contention vs. cache and memory contention, and how these effects may be understood by software.

9.4.2 MBA 3.0 Software-Visible Changes

In order to allow software to change its tuning behavior and detect that per-thread throttling is supported on a particular product generation, a new CPUID bit is added to the MBA CPUID leaf to indicate this. See “CPUID—CPU Identification” in Chapter 1 for details.

Despite another significant improvement of the hardware controller infrastructure architecture and improved capabilities, controller responsiveness, new internal microarchitecture, and transient-arresting capabilities, no new software interface changes are required to make use of MBA 3.0 relative to prior generations. Software previously using the MBA 2.0 min/max selection capability should discontinue use of the MBA_CFG MSR.

INDEX

B

- Brand information 1-34
 - processor brand index 1-36
 - processor brand string 1-34

C

- Cache and TLB information 1-29
- Cache Inclusiveness 1-5
- CLFLUSH instruction
 - CPUID flag 1-28
- CMOVcc flag 1-28
- CMOVcc instructions
 - CPUID flag 1-28
- CMPXCHG16B instruction
 - CPUID bit 1-26
- CMPXCHG8B instruction
 - CPUID flag 1-28
- CPUID instruction 1-3, 1-28
 - 36-bit page size extension 1-28
 - APIC on-chip 1-28
 - basic CPUID information 1-4
 - cache and TLB characteristics 1-4, 1-29
 - CLFLUSH flag 1-28
 - CLFLUSH instruction cache line size 1-25
 - CMPXCHG16B flag 1-26
 - CMPXCHG8B flag 1-28
 - CPL qualified debug store 1-26
 - debug extensions, CR4.DE 1-27
 - debug store supported 1-28
 - deterministic cache parameters leaf 1-4, 1-7, 1-9, 1-10, 1-11, 1-12, 1-13, 1-14, 1-15, 1-16, 1-20
 - extended function information 1-20
 - feature information 1-27
 - FPU on-chip 1-27
 - FSAVE flag 1-29
 - FXRSTOR flag 1-29
 - IA-32e mode available 1-21
 - input limits for EAX 1-22
 - L1 Context ID 1-26
 - local APIC physical ID 1-25
 - machine check architecture 1-28
 - machine check exception 1-28
 - memory type range registers 1-28
 - MONITOR feature information 1-32
 - MONITOR/MWAIT flag 1-26
 - MONITOR/MWAIT leaf 1-5, 1-6, 1-7, 1-9, 1-10, 1-17, 1-20
 - MWAIT feature information 1-32
 - page attribute table 1-28
 - page size extension 1-28
 - performance monitoring features 1-32
 - physical address bits 1-22
 - physical address extension 1-28
 - power management 1-32, 1-33, 1-34
 - processor brand index 1-24, 1-34
 - processor brand string 1-21, 1-34
 - processor serial number 1-28
 - processor type field 1-24
 - RDMSR flag 1-28
 - returned in EBX 1-24
 - returned in ECX & EDX 1-25
 - self snoop 1-29
 - SpeedStep technology 1-26
 - SS2 extensions flag 1-29

- SSE extensions flag 1-29
- SSE3 extensions flag 1-26
- SSSE3 extensions flag 1-26
- SYSENTER flag 1-28
- SYSEXIT flag 1-28
- thermal management 1-32, 1-33, 1-34
- thermal monitor 1-26, 1-29
- time stamp counter 1-28
 - using CPUID 1-3
- vendor ID string 1-22
- version information 1-4, 1-32
- virtual 8086 Mode flag 1-27
- virtual address bits 1-22
- WRMSR flag 1-28

F

- Feature information, processor 1-3
- FXRSTOR instruction
 - CPUID flag 1-29
- FXSAVE instruction
 - CPUID flag 1-29

I

- IA-32e mode
 - CPUID flag 1-21
- Instruction set
 - grouped by processor 1-2

L

- L1 Context ID 1-26

M

- Machine check architecture
 - CPUID flag 1-28
 - description 1-28
- MMX instructions
 - CPUID flag for technology 1-29
- Model & family information 1-32
- MONITOR instruction
 - CPUID flag 1-26
 - feature data 1-32
- MWAIT instruction
 - CPUID flag 1-26
 - feature data 1-32

P

- Pending break enable 1-29
- Performance-monitoring counters
 - CPUID inquiry for 1-32

R

- RDMSR instruction
 - CPUID flag 1-28

S

- Self Snoop 1-29
- SpeedStep technology 1-26
- SSE extensions
 - CPUID flag 1-29
- SSE2 extensions
 - CPUID flag 1-29
- SSE3

- CPUID flag 1-26
- SSE3 extensions
 - CPUID flag 1-26
- SSSE3 extensions
 - CPUID flag 1-26
- Stepping information 1-32
- SYSENTER instruction
 - CPUID flag 1-28
- SYSEXIT instruction
 - CPUID flag 1-28

T

- Thermal Monitor
 - CPUID flag 1-29
- Thermal Monitor 2 1-26
 - CPUID flag 1-26
- Time Stamp Counter 1-28

V

- Version information, processor 1-3
- VPMULTISHIFTQB – Select Packed Unaligned Bytes from Quadword Source 2-22

W

- WBINVD instruction 2-23
- WBINVD/INVD bit 1-5
- WRMSR instruction
 - CPUID flag 1-28

X

- XRSTOR 1-33
- XSAVE 1-26, 1-33