



SiS System on Chip Solution

SiS550 Family

Information Appliance Product Division

Silicon Integrated Systems Corp.

www.sis.com



Agenda

- IAPD Introduction
- SoC Target Products
- SiS Total Solution
- Partners Introduction



IA Product Division

- Became a Division on May 1, 2002
- Key members
 - Director & GM Yee-Wei Huang Ph.D.
 - R&D Alex Yeh
 - Mkt/FAE/Sales Jason Tsai
- Mission
Provide premium system solutions for post-PC information appliance market

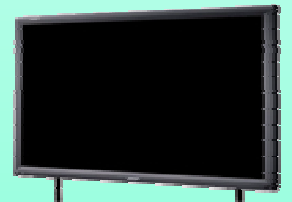


SoC Target Products

Home Gateway
WebPAD
iBOX



iDVD
Thin Client
POS



ScreenPhone
Stock Machine
Pocket PC / IPC



HDTV
Home Theater
VOD



SiS Total Solution

Hardware



Software

- STB, Home Gateway
- WebPAD, Tablet, Pocket PC
- Thin Client, IPC, Car PC
- LCDPC, ScreenPhone, POS

- WWW & Email
- DVD, VCD, VOD
- CD, MP3, Game



Hardware Solution



SOC Family

- HDTV
- Home Theater
- Car PC
- VOD
- iDVD
- Thin Client
- POS
- Home Gateway
- WebPAD / iBOX
- ScreenPhone
- Stock Machine
- Pocket PC / IPC



MP: now

Security



- X86 CPU
- 2D Graphics
- DFP / TV-out
- TFT / DSTN
- PCI / USB / IDE
- 6-Channel Audio
- LPT / CIR
- Flash ROM Interface

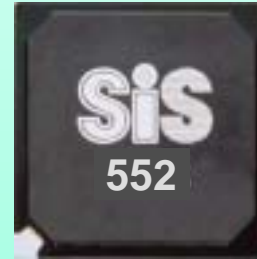


MP: now

Entertainment



- 550 +
- SmartCard
- Memory Stick



MP: now

- 551 +
- MPEG-2 Decoder
- VIP
- Consumer Digital Audio Interface



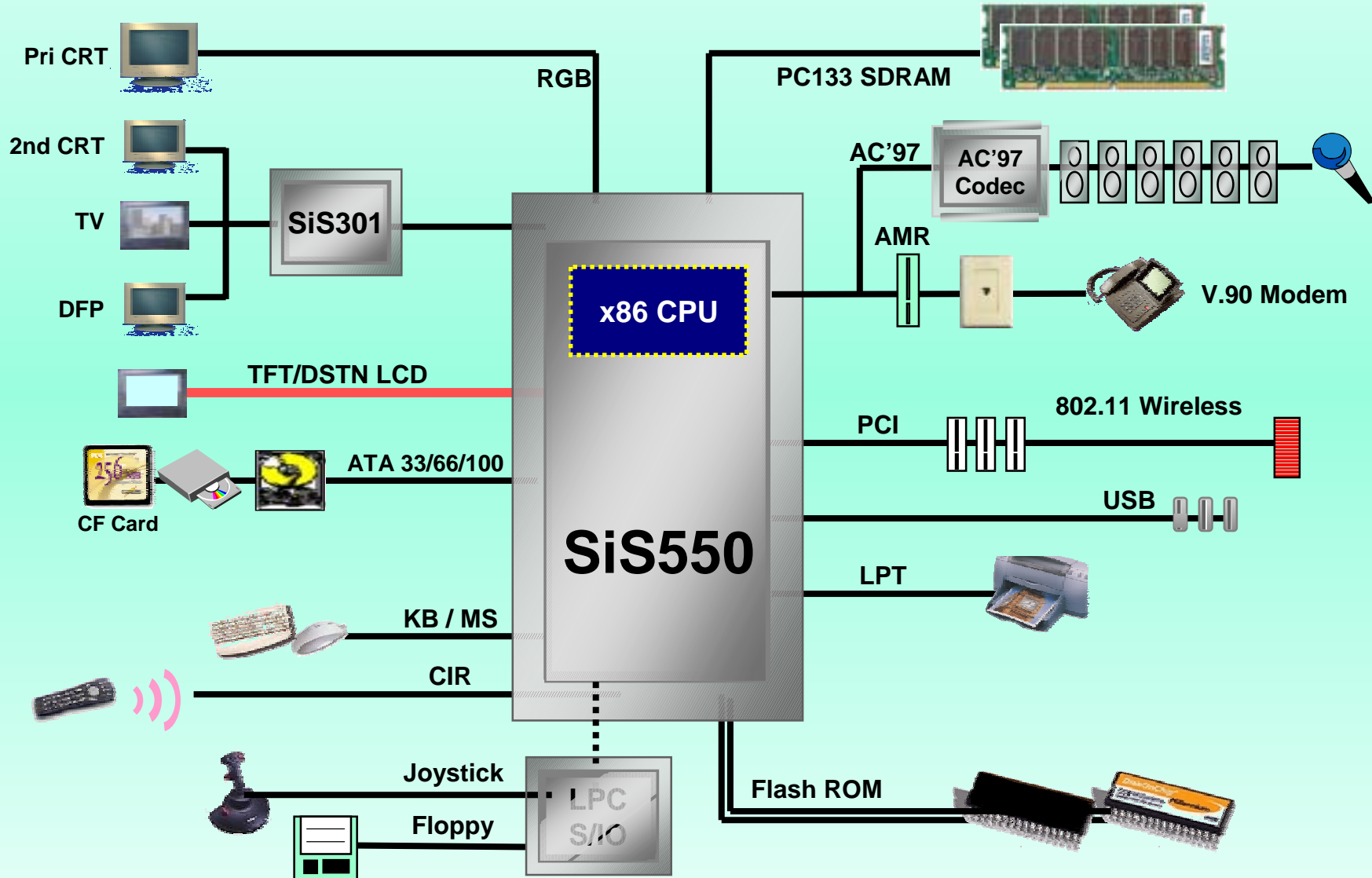


SoC Road Map Driving Forces

- Low Power Consumption
 - Low power process technology
 - Power management circuitry
- Enhanced Performance
 - Core frequency/architecture
 - Hardware accelerator
- Enrich functionality
 - High-level Integration
 - Chip set solution
- Product Oriented Design
 - Reference platform

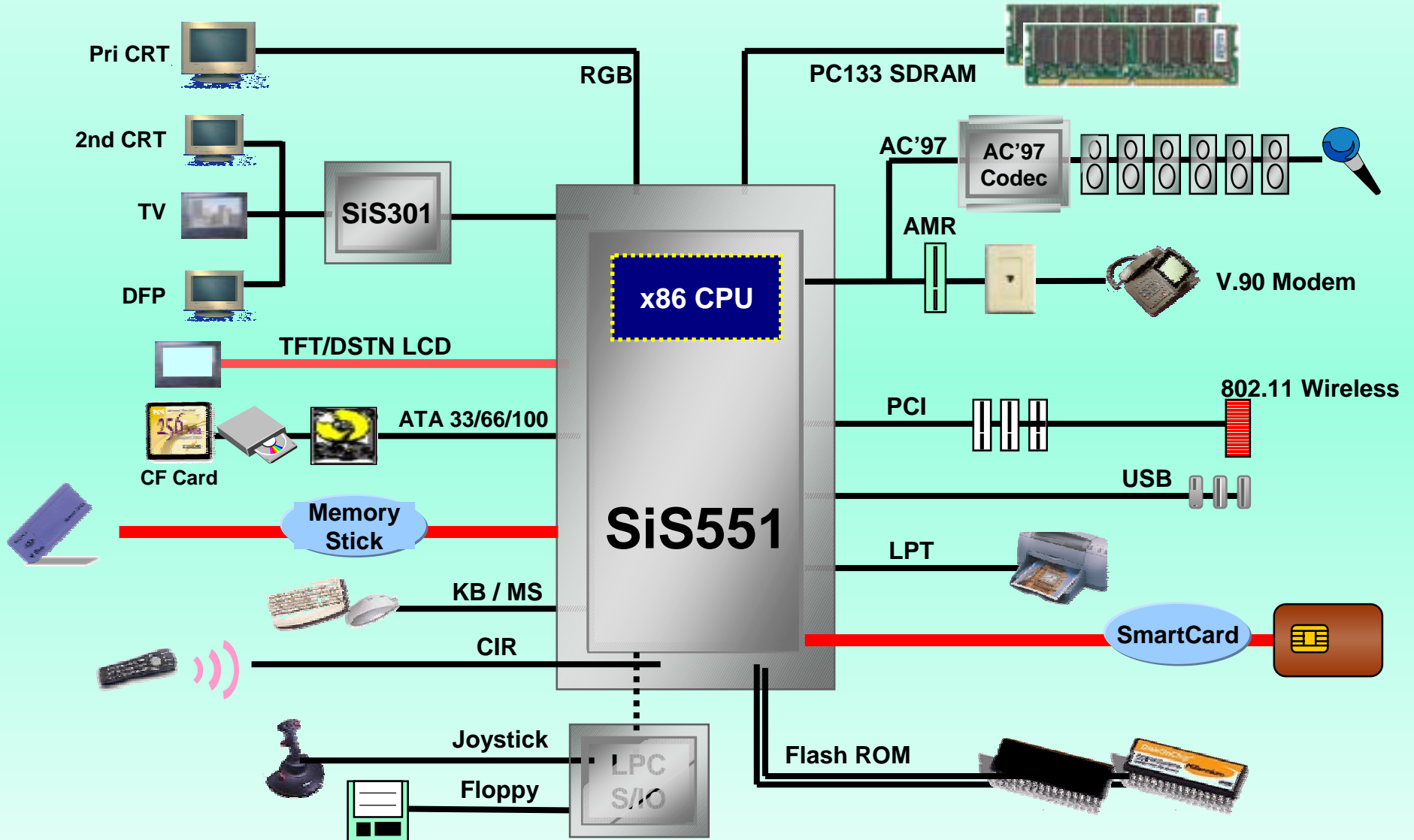


SiS550 Block Diagram



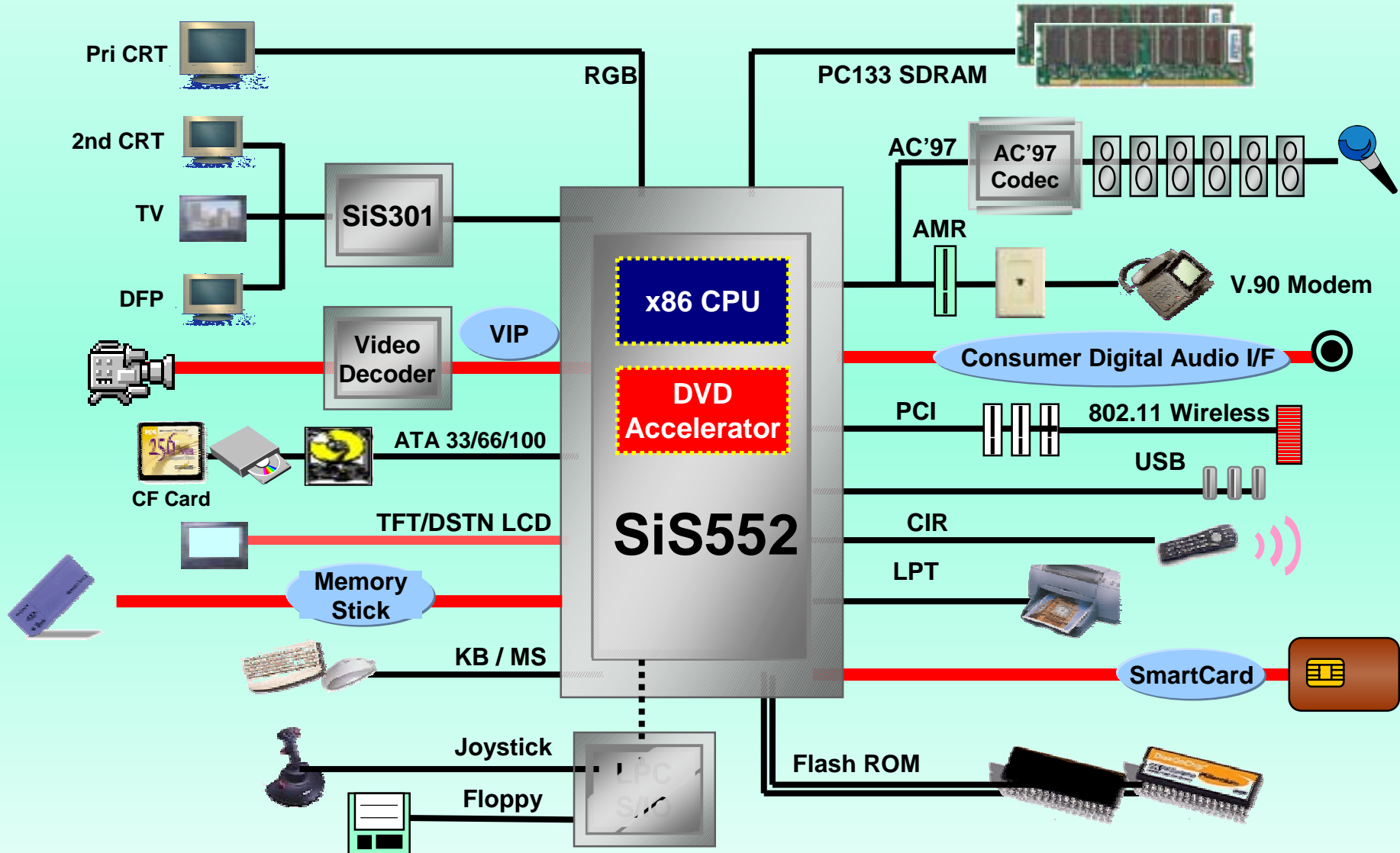


SiS551 Block Diagram





SiS552 Block Diagram





SiS Hardware Advantages

Highest Integration Level

SiS550 integrates CPU, MPEG-2 decoder, Smart Card and many more in one SOC chip!

Diverse Expandability

PCI, USB, Memory Stick etc, SiS550 works with whatever device you desire!

Low Cost, Low Power

Lowest BOM cost, Fanless, 3.5W max. power consumption

Versatile Adaptability

Suitable for various products, STB, WebPAD, Thin Client, ScreenPhone.

Compact Size

Benefiting from integration, your device can be as compact as possible!



Software Solution



SiS Evaluation Platform - Linux





SiS Evaluation Platform - WinCE





Software Advantages

Complete Turn-key Service

S/W supports from ? BIOS, Linux BIOS, Drivers, OS kernels, to application.

Immediate boot

Boot in a **BLINK!!**

Absolute Flexibility

Compatible with DOM, DOC for WinCE and Linux

Full Function, Small size

All the functions you need within **8MB/16MB/32MB**



Design Tools

- Circuit and Layout (Evaluation Board)
- Documents (Datasheet , Design Guide)
- Drivers (Windows 98, CE ,CE.NET, Linux)
- S/W Evaluation Kit (Win98, CE, CE.NET, Linux)
- Partner/Solution Coordination



Customers' Products (1)

STB (SiS550)

Satellite

- IP over DVB
- Ethernet hub/switch



CarPC (SiS550)

- GPS
- Wireless LAN





Customers' Products (2)

Kiosk (SiS552)

- LCD PC
- Touchscreen
- DVD



Projector Gateway(SiS550)

- Connect with projector
- Immediate slide show
- Remote computer via network





Customers' Products (3)

SOM (SiS550)

- ETX
- All function



IPC (SiS552)

- PC/104





Customers' Products (4)

Video Phone (SiS550)

- IP Base
- Web Camera
- Key Pad



ATM (SiS552)

- Financial Machine
- Smart card





Customers' Products (5)

Thin Client (SiS550)

- Linux Base Terminal
- Data Security
- Virus resistance



Embedded Computer(SiS550)

- Network computer
- 4 Switch HUB





Customers' Products (6)

TV BOX (SiS550)

- Connected to TV
- Compact Flash Card
- Display picture



Identify Machine(SiS550)

- Web Camera
- Feature Identify





Customers' Products (7)

PVR (SiS630)

- Digital recording
- Mpeg-2 format



LCD PC (SiS630)

- Easy to use
- Small PC





Potential Products

Camera
PC



Web
PAD



Tablet
PC



Portable
DVD





SiS550 Partners

System Bios

AMI : BIOS provider

AWARD : BIOS provider

INSYDE : Linux BIOS & application provider

Phoenix : Linux BIOS & application provider

S/W System Integrator & Application

Animeta : Embedded Linux solution provider

Avamax : Total S/W solution for Internet access

B2C2 : Professional software solution provider

CYBERLINK : provider of digital video & audio software

Digirose : Embedded Intelligent Vision/Video solution provider



SiS550 Partners (Continued)

E-COM : Pioneer of information security system

Gismosoft : WinCE solution provider

Intervideo : Provider of digital video & audio software

Redsonic : Embedded Linux solution provider

SPA : WinCE & embedded Linux solution provider

H/W Manufacturers and Vendors

Advantech : Pioneer of SOM / IPC solution vendor

Apacer : Versatile memory solution vendor

BCM : Module board provider

G-Card : Module board provider

ICOP : IPC & module board provider



SiS550 Partners (Continued)

H/W Manufacturers and Vendors

M-Systems : Leading flash disk manufacturer

Sony : Memory Stick founder & developer

Tatung : IT/IA product maker

Welcome New Partners !!!!



SiS Advantages

FAST Time-to-Market

Coordination for turnkey solution including H/W, S/W, Bios, applications.

Mature PC Chip Set Experiences

Highest level of integration of proven technologies

Commitment

All-out efforts and good reputation in the SOC field

Close Partnership

Software, hardware solution and system providers

Low Cost

Fab and technology



Appendix



SIS550 VS NSGX1

	SiS SOC 550 200MHz	NS GX1 200MHz
CPUMark99	7.18 (135%)	5.82 (100%)
Sandra 2001 CPU Dhrystone	396 MIPS (175%)	226 MIPS (100%)
Sandra 2001 FPU Whetstone	206 MFLOPS (159%)	129 MFLOPS (100%)
Sandra 2001 Integer MMX	556 it/S (187%)	297 it/S (100%)
Sandra 2001 FPU MMX	159 it/S (289%)	55 it/S (100%)
Wintune CPU Integer	455 MIPS (162%)	281 MIPS (100%)
Wintune CPU Floating Point	198 MFLOPS (153%)	126 MFLOPS (100%)



SIS550 VS NSGX1

	SiS 550 200MHz	NS SC1200 266MHz	NS GX1 300MHz
Maths-Mark	16.7 (145%)	12.0 (104%)	11.5 (100%)
Graphics 2D-Bitmaps	28.6 (493%)	6.8 (117%)	5.8 (100%)
2D Graphics mark	51.9 (251%)	19.8 (96%)	20.6 (100%)
MMX- Mark	23.5 (284%)	10.4 (116%)	8.9 (100%)
Memory Mark	18.5 (111%)	13.5 (80%)	16.7 (100%)
3D Graphics Mark	4.1 (107%)	3.6 (94%)	3.8 (100%)
PassMark Rating	20.0 (125%)	12.4 (77%)	15.9 (100%)