

USER'S MANUAL

NEC

87AD SERIES

μ PD78C18

8-BIT SINGLE-CHIP MICROCONTROLLER

NOTES FOR CMOS DEVICES

① PRECAUTION AGAINST ESD FOR SEMICONDUCTORS

Note:

Strong electric field, when exposed to a MOS device, can cause destruction of the gate oxide and ultimately degrade the device operation. Steps must be taken to stop generation of static electricity as much as possible, and quickly dissipate it once, when it has occurred. Environmental control must be adequate. When it is dry, humidifier should be used. It is recommended to avoid using insulators that easily build static electricity. Semiconductor devices must be stored and transported in an anti-static container, static shielding bag or conductive material. All test and measurement tools including work bench and floor should be grounded. The operator should be grounded using wrist strap. Semiconductor devices must not be touched with bare hands. Similar precautions need to be taken for PW boards with semiconductor devices on it.

② HANDLING OF UNUSED INPUT PINS FOR CMOS

Note:

No connection for CMOS device inputs can be cause of malfunction. If no connection is provided to the input pins, it is possible that an internal input level may be generated due to noise, etc., hence causing malfunction. CMOS devices behave differently than Bipolar or NMOS devices. Input levels of CMOS devices must be fixed high or low by using a pull-up or pull-down circuitry. Each unused pin should be connected to V_{DD} or GND with a resistor, if it is considered to have a possibility of being an output pin. All handling related to the unused pins must be judged device by device and related specifications governing the devices.

③ STATUS BEFORE INITIALIZATION OF MOS DEVICES

Note:

Power-on does not necessarily define initial status of MOS device. Production process of MOS does not define the initial operation status of the device. Immediately after the power source is turned ON, the devices with reset function have not yet been initialized. Hence, power-on does not guarantee out-pin levels, I/O settings or contents of registers. Device is not initialized until the reset signal is received. Reset operation must be executed immediately after power-on for devices having reset function.

QTOP is a trademark of NEC Corporation.

MS-DOS is a trademark of Microsoft Corporation.

PC/AT and PC DOS are trademarks of IBM Corporation.

The export of these products from Japan is regulated by the Japanese government. The export of some or all of these products may be prohibited without governmental license. To export or re-export some or all of these products from a country other than Japan may also be prohibited without a license from that country. Please call an NEC sales representative.

The customer must judge

the need for license : μ PD78C11, 78C11A, 78C12A, 78C14, 78C14A, 78CP14CW, 78CP14G-36, 78CP14GF-3BE, 78CP14L, 78C18, 78CP18CW, 78CP18GF-3BE, 78CP18GQ-36, 78C11(A), 78C11A(A), 78C12A(A), 78C14(A), 78CP14(A), 78C18(A), 78CP18(A)

License not needed : μ PD78C10, 78C10A, 78CG14, 78CP14DW, 78CP14KB, 78CP14R, 78C17, 78CP18DW, 78CP18KB, 78C10(A), 78C10A(A), 78C17(A)

The information in this document is subject to change without notice.

No part of this document may be copied or reproduced in any form or by any means without the prior written consent of NEC Corporation. NEC Corporation assumes no responsibility for any errors which may appear in this document.

NEC Corporation does not assume any liability for infringement of patents, copyrights or other intellectual property rights of third parties by or arising from use of a device described herein or any other liability arising from use of such device. No license, either express, implied or otherwise, is granted under any patents, copyrights or other intellectual property rights of NEC Corporation or others.

While NEC Corporation has been making continuous effort to enhance the reliability of its semiconductor devices, the possibility of defects cannot be eliminated entirely. To minimize risks of damage or injury to persons or property arising from a defect in an NEC semiconductor device, customer must incorporate sufficient safety measures in its design, such as redundancy, fire-containment, and anti-failure features.

NEC devices are classified into the following three quality grades:

“Standard”, “Special”, and “Specific”. The Specific quality grade applies only to devices developed based on a customer designated “quality assurance program” for a specific application. The recommended applications of a device depend on its quality grade, as indicated below. Customers must check the quality grade of each device before using it in a particular application.

Standard: Computers, office equipment, communications equipment, test and measurement equipment, audio and visual equipment, home electronic appliances, machine tools, personal electronic equipment and industrial robots

Special: Transportation equipment (automobiles, trains, ships, etc.), traffic control systems, anti-disaster systems, anti-crime systems, safety equipment and medical equipment (not specifically designed for life support)

Specific: Aircrafts, aerospace equipment, submersible repeaters, nuclear reactor control systems, life support systems or medical equipment for life support, etc.

The quality grade of NEC devices in “Standard” unless otherwise specified in NEC’s Data Sheets or Data Books. If customers intend to use NEC devices for applications other than those specified for Standard quality grade, they should contact NEC Sales Representative in advance.

Anti-radioactive design is not implemented in this product.

INTRODUCTION

Intended Readership: This manual is intended for engineers who require an understanding of 87AD series products functions prior to designing an application system or an application program. The relevant products are the following 87AD series CMOS version products.

- μ PD78C10A, 78C11A, 78C10A(A), 78C11A(A)
- μ PD78C12A, 78C12A(A)
- μ PD78C14, 78C14A, 78CG14, 78CP14, 78C14(A), 78CP14(A)
- μ PD78C17, 78C18, 78CP18, 78C17(A), 78C18(A), 78CP18(A)

Remark μ PD78C10, 78C11, 78C10(A), 78C11(A) have been maintenance products since October 1991.

Purpose: The purposes of this manual is that users understand the hardware functions of 87AD series products shown in the organization below.

Organization: This manual is mainly composed of the following contents.

- General description
- Pin functions
- Internal block functions
- Interrupt control functions
- External device accesses and timing
- PROM accesses
- Instruction set
- Operating precautions

Using This Information: Use of this information requires general knowledge of electricity, logic circuits and microcontrollers.

This manual describes the μ PD78C18 as a representative product as long as there are no differences in the functions. Using this manual as the other 87AD series (CMOS) products manual, refer to the manual by changing " μ PD78C18" to each product name. For the μ PD78CG14, refer to **APPENDIX A INTRODUCTION TO PIGGYBACK PRODUCT**. For the "Special" quality grade product, refer to the manual by changing it to the "Standard" quality grade product.

- ◇ For general understanding of the 87AD series (CMOS) product functions:
 - ➔ Read in order of contents.
- ◇ For searching for an instruction function by mnemonics:
 - ➔ Use **APPENDIX C INDEX OF INSTRUCTIONS (ALPHABETICAL ORDER)**.
- ◇ For searching for mnemonics by the outline of functions:
 - ➔ Search **14.6 Instruction Descriptions** for the functions.

Usage examples in this manual is produced for the "Standard" quality grade. Using this manual for the "Special" quality grade applications, make use of parts and circuits actually used after checking the quality grade.

Operating Precaution

Be sure to read CHAPTER 15 OPERATING PRECAUTIONS in which operating precautions of the 87AD series (CMOS) products are compiled. For the latest information of this products, contact our salesman or special agent.

Legend:

- | | |
|---------------------------|---|
| Data notation weight | : Upper digits to the left, lower digits to the right |
| Notation of active low | : $\overline{\text{xxx}}$ (A line over pin or signal names) |
| Address on the memory map | : Lower address to the upper part, higher address to the lower part |
| Note | : Explanation of Note in text |
| Caution | : Content to be read carefully |
| Remark | : Complementary explanation of text |
| Numeric notation | : BinaryxxxxB or xxxx |
| | Decimalxxxx |
| | Hexadecimal ...xxxxH |

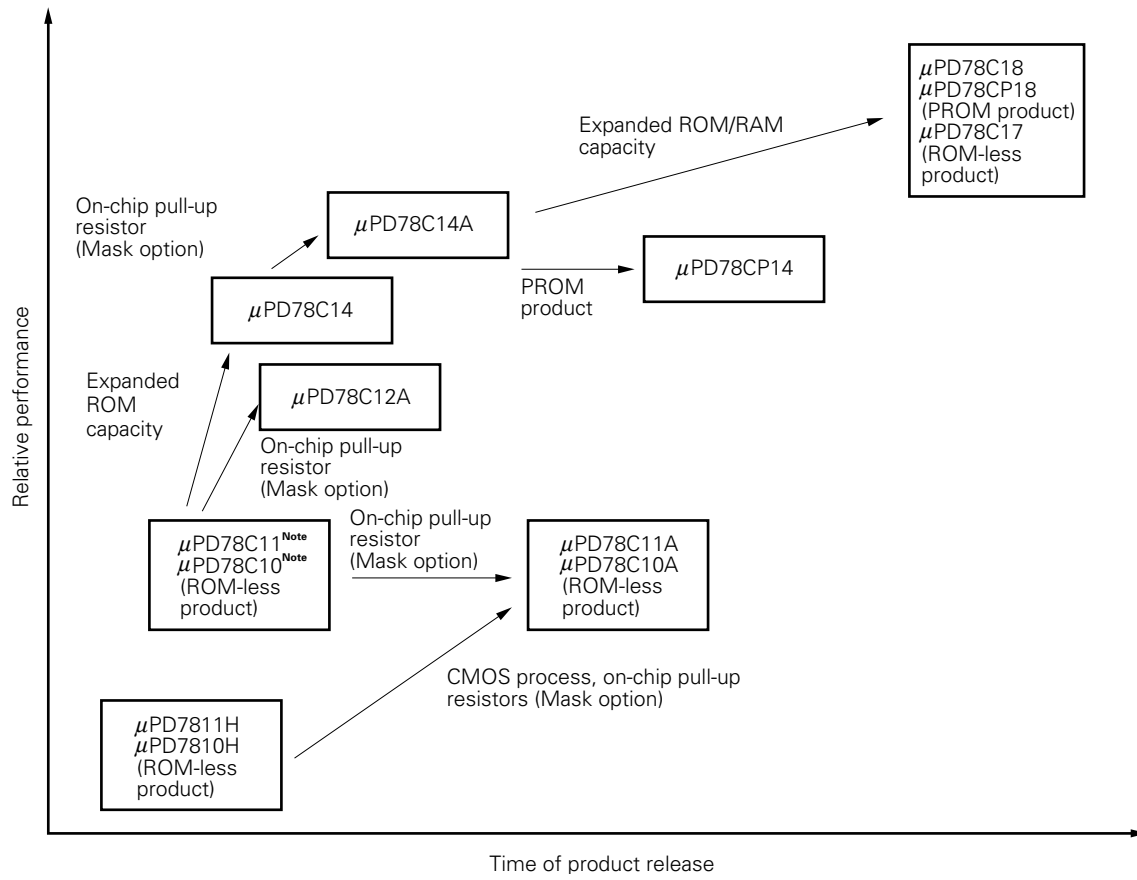
Related Documents

The following documents are provided for 87AD series CMOS version products.
Numbers in the table are document numbers.

Document Name Product Name	Data Sheet	User's Manual	Application Note
μ PD78C10	IC-1872	This manual	<ul style="list-style-type: none"> • (I) Software fundamental IEM-1131 • (II) Floating-point format operation package IEM-1242 • (III) Hardware IEM-1240
μ PD78C11			
μ PD78C10A	IC-2678		
μ PD78C11A			
μ PD78C12A			
μ PD78C14	IC-2417		
μ PD78C14A	IC-2565		
μ PD78CG14	IC-2564		
μ PD78CP14	IC-2533		
μ PD78C17	IC-2788		
μ PD78C18	IC-2789		
μ PD78CP18	IC-3033		
μ PD78C10(A)	IC-2814		
μ PD78C11(A)			
μ PD78C10A(A)	IC-2846		
μ PD78C11A(A)			
μ PD78C12A(A)			
μ PD78C14(A)	IC-2813		
μ PD78CP14(A)	IC-3068		
μ PD78C17(A)	IC-3127		
μ PD78C18(A)			
μ PD78CP18(A)	IC-3233		

The contents of the above documents are subject to change without prior notification. Please check whether requested documentation is the latest version.

87AD Series CMOS Version Development



Note μ PD78C10 and 78C11 are maintenance products.

TABLE OF CONTENTS

CHAPTER 1 GENERAL DESCRIPTION	1
1.1 Features	3
1.2 Ordering Information and Quality Grade	5
1.2.1 Ordering information	5
1.2.2 Quality grade	9
1.3 Pin Configurations (Top View)	10
1.3.1 Shrink DIP, QUIP (straight) (37), QUIP (36)	10
1.3.2 QFP (1B/3BE), WQFN	13
1.3.3 QFP (AB8)	15
1.3.4 QFJ	16
1.4 Block Diagram	18
1.5 Functional Comparison of 87AD Series CMOS Products	19
1.6 Differences between 87AD Series CMOS and NMOS Products	21
1.7 Differences between "Standard" and "Special" Quality Grade Products	22
CHAPTER 2 PIN FUNCTIONS	23
2.1 Normal Operation Mode	23
2.1.1 PA7 to PA0 (Port A)	23
2.1.2 PB7 to PB0 (Port B)	23
2.1.3 PC7 to PC0 (Port C)	23
2.1.4 PD7 to PD0 (Port D)	25
2.1.5 PF7 to PF0 (Port F)	26
2.1.6 \overline{WR} (Write strobe)	27
2.1.7 \overline{RD} (Read strobe)	27
2.1.8 ALE (Address latch enable)	27
2.1.9 MODE0, MODE1 (Mode)	28
2.1.10 \overline{NMI} (Non maskable interrupt)	28
2.1.11 INT1 (Interrupt request)	28
2.1.12 AN7 to AN0 (Analog input)	28
2.1.13 V _{REF} (Reference voltage)	28
2.1.14 AV _{DD} (Analog V _{DD})	28
2.1.15 AV _{SS} (Analog V _{SS})	29
2.1.16 \overline{STOP} (Stop control input)	29
2.1.17 X1, X2 (Crystal)	29
2.1.18 \overline{RESET} (Reset)	29
2.1.19 V _{DD}	29
2.1.20 V _{SS}	29
2.1.21 IC	29
2.2 EPROM Mode	30
2.2.1 A14 to A0 (Address)	30
2.2.2 O7 to O0 (Data)	30
2.2.3 \overline{CE} (Chip enable)	30

2.2.4	\overline{OE} (Output enable)	30
2.2.5	MODE1, MODE0 (Mode)	30
2.2.6	\overline{RESET} (Reset)	30
2.2.7	V_{PP}	30
2.2.8	V_{DD}	30
2.2.9	V_{SS}	30
2.3	Pin Input/Output Circuits	31
2.4	Pin Mask Options (μPD78C18/78C14A/78C12A/78C11A Only)	37
2.5	Processing of Unused Pins	37
CHAPTER 3 INTERNAL BLOCK FUNCTIONS		39
3.1	Registers	39
3.2	Mode Registers	41
3.3	Arithmetic Logical Unit (ALU)	42
3.4	Program Status Word (PSW)	42
3.5	Memory	44
3.5.1	μ PD78C18/78C17/78C14/78C14A/78C12A/78C11A/78C10A memory configuration	44
3.5.2	μ PD78CP18/78CP14 memory configuration	52
3.6	Timers	57
3.7	Timer/Event Counter	57
3.8	Serial Interface	57
3.9	Analog/Digital Converter	57
3.10	Interrupt Control	57
3.11	Zero-Cross Detector	58
CHAPTER 4 PORT FUNCTIONS		61
4.1	Port A (PA7 to PA0)	61
4.2	Port B (PB7 to PB0)	65
4.3	Port C (PC7 to PC0)	66
4.4	Port D (PD7 to PD0)	70
4.5	Port F (PF7 to PF0)	71
4.6	Operation of Arithmetic and Logical Operation Instruction Involving a Port and Immediate Data	73
CHAPTER 5 TIMER FUNCTIONS		75
5.1	Timer Configuration	75
5.2	Timer Mode Register (TMM)	77
5.3	Timer Operations	79
CHAPTER 6 TIMER/EVENT COUNTER FUNCTIONS		81
6.1	Timer/Event Counter Configuration	81
6.2	Mode Registers	85
6.2.1	Timer/event counter mode register (ETMM)	85
6.2.2	Timer/event counter output mode register (EOM)	88

6.3	Timer/Event Counter Operation	90
6.3.1	Interval timer mode	90
6.3.2	Event counter mode	92
6.3.3	Frequency measurement mode	93
6.3.4	Pulse width measurement mode	94
6.3.5	Programmable rectangular-wave output mode	95
6.3.6	Timer/event counter program examples	97
CHAPTER 7 SERIAL INTERFACE FUNCTIONS		107
7.1	Serial Interface Configuration	107
7.2	Serial Mode Registers	109
7.2.1	Serial mode high register (SMH)	109
7.2.2	Serial mode low register (SML)	112
7.2.3	Serial mode register initialization	114
7.3	Serial Interface Operation	114
7.3.1	Asynchronous mode	114
7.3.2	Synchronous mode	121
7.3.3	I/O interface mode	123
7.3.4	Example of serial interface program	127
CHAPTER 8 ANALOG/DIGITAL CONVERTER FUNCTIONS		137
8.1	Analog/Digital Converter Configuration	137
8.2	A/D Channel Mode Register (ANM)	140
8.3	Analog/Digital Converter Operation	142
8.3.1	Scan mode	142
8.3.2	Select mode	143
8.3.3	A/D converter operation control method	144
8.3.4	Input voltage and conversion results	145
8.3.5	Example of analog/digital converter program	146
CHAPTER 9 INTERRUPT CONTROL FUNCTIONS		153
9.1	Interrupt Control Circuit Configuration	154
9.2	External Interrupt Sampling	158
9.3	Non-Maskable Interrupt Operation	160
9.4	Maskable Interrupt Operation	163
9.5	Interrupt Operation by SOFTI Instruction	167
9.6	Interrupt Wait Time	168
9.7	Multiple Interrupts	169
CHAPTER 10 CONTROL FUNCTIONS		171
10.1	Standby Functions	171
10.1.1	HALT mode	171
10.1.2	HALT mode release	172
10.1.3	Software STOP mode	174
10.1.4	Software STOP mode release	175

10.1.5	Hardware STOP mode	177
10.1.6	Hardware STOP mode release	178
10.1.7	Low supply voltage data retention mode	179
10.2	Reset Functions	180
10.3	Clock Generation Circuit	182
CHAPTER 11	EXTERNAL DEVICE ACCESSES AND TIMINGS	187
11.1	μPD78C18/78C14/78C14A/78C12A/78C11A External Device Accesses	187
11.1.1	Memory mapping register (MM)	190
11.1.2	Example of memory expansion	192
11.1.3	Example of peripheral device connection	194
11.2	μPD78C17/78C10A External Device Access	198
11.2.1	MM register setting	199
11.3	Timings	201
CHAPTER 12	PROM ACCESSES (μPD78CP18/78CP14 ONLY)	203
CHAPTER 13	PROM WRITE AND VERIFY OPERATIONS (μPD78CP18/78CP14 ONLY)	207
13.1	PROM Programming Operating Modes	208
13.2	PROM Writing Procedure	209
13.3	PROM Reading Procedure	210
13.4	Erase Procedure (Ceramic Package Products Only)	211
13.5	One-Time PROM Products Screening	211
CHAPTER 14	INSTRUCTION SET	213
14.1	Operand Notation and Description Method	213
14.2	Explanation of Operation Code Symbols	215
14.3	Instruction Address Addressing	216
14.3.1	Register addressing	216
14.3.2	Immediate addressing	217
14.3.3	Direct addressing	218
14.3.4	Relative addressing	218
14.3.5	Extended relative addressing	219
14.4	Operand Address Addressing	220
14.4.1	Register addressing	220
14.4.2	Register indirect addressing	222
14.4.3	Auto-increment addressing	223
14.4.4	Auto-decrement addressing	224
14.4.5	Double auto-increment addressing	225
14.4.6	Base addressing	226
14.4.7	Base index addressing	227
14.4.8	Working register addressing	228
14.4.9	Accumulator indirect addressing	229
14.4.10	Immediate addressing	229
14.4.11	Extended immediate addressing	230
14.4.12	Direct addressing	231

14.5	Number of States Required for Skipping	232
14.6	Instruction Descriptions	233
14.6.1	8-bit data transfer instructions	233
14.6.2	16-bit data transfer instructions	242
14.6.3	8-bit operation instructions (Register)	252
14.6.4	8-bit operation instructions (Memory)	263
14.6.5	Immediate data operation instructions	270
14.6.6	Working register operation instructions	285
14.6.7	16-bit operation instructions	294
14.6.8	Multiplication/division instructions	300
14.6.9	Increment/decrement instructions	301
14.6.10	Other operation instructions	304
14.6.11	Rotation/shift instructions	306
14.6.12	Jump instructions	313
14.6.13	Call instructions	316
14.6.14	Return instructions	319
14.6.15	Skip instructions	321
14.6.16	CPU control instructions	323
14.7	Stacked Instructions	326
CHAPTER 15 OPERATING PRECAUTIONS		327
15.1	RAE Bit Setting	327
15.2	Port D/F Setting	328
15.3	Timer, Timer/Event Counter Compare Register Setting	328
15.4	Restrictions on Serial Interface and Asynchronous Modes	329
15.5	Serial Interface Start Bit Input	330
15.6	Serial Interface and Transmission Format Change	330
15.7	Input Voltage to Analog Input Pin	330
15.8	Limitations on Hardware STOP Mode	332
15.9	How to Use Standby Flag	335
15.10	Bus Interface	335
15.11	Restrictions on IE-78C11-M Operation	336
15.12	Electrostatic Withstand Limit of V_{PP} Pin	336
APPENDIX A INTROCUCTION TO PIGGYBACK PRODUCT		337
A.1	Pin Functions	340
A.1.1	Lower pins (μ PD78C11A/78C12A/78C14 QUIP type compatible)	340
A.1.2	Upper pins (27C256/27C256A compatible)	342
A.2	Memory Configuration	342
A.3	Memory Mapping Register (MM)	346
A.4	Interface with EPROM	348
APPENDIX B DEVELOPMENT TOOLS		349
APPENDIX C INDEX OF INSTRUCTIONS (ALPHABETICAL ORDER)		353

[MEMO]

LIST OF FIGURES (1/3)

Figure No.	Title	Page
3-1	Register Configuration	39
3-2	PSW Configuration	42
3-3	Memory Map (μ PD78C18)	46
3-4	Memory Map (μ PD78C17)	47
3-5	Memory Map (μ PD78C14/78C14A)	48
3-6	Memory Map (μ PD78C12A)	49
3-7	Memory Map (μ PD78C11A)	50
3-8	Memory Map (μ PD78C10A)	51
3-9	Memory Map (μ PD78C18 Mode)	53
3-10	Memory Map (μ PD78C14 Mode)	54
3-11	Memory Map (μ PD78C12A Mode)	55
3-12	Memory Map (μ PD78C11A Mode)	56
3-13	Zero-Cross Detector	58
3-14	Zero-Cross Detection Signal	58
3-15	Zero-Cross Mode Register Format	59
4-1	Port A	61
4-2	Mode A Register Format	61
4-3	Port A Specified as Output Port	62
4-4	Port A Specified as Input Port	62
4-5	Mode B Register Format	65
4-6	Mode Control C Register Format	66
4-7	Mode C Register Format	67
4-8	Port C Specified as Control Signal Output	68
4-9	Port C Specified as Control Signal Input	68
4-10	Mode F Register Format	71
5-1	Timer Block Diagram	76
5-2	Timer Mode Register (TMM) Format	78
6-1	Timer/Event Counter Block Diagram	81
6-2	Timer/Event Counter Mode Register Format	87
6-3	Output Control Circuit Block Diagram (CO0 Output)	88
6-4	Timer/Event Counter Output Mode Register Format	89
6-5	Timer/Event Counter Setting Procedure	90
6-6	Timer/Event Counter Mode Register Setting (Interval Timer Mode)	91
6-7	Interval Timer Mode Operation	91
6-8	Timer/Event Counter Mode Register Setting (Event Counter Mode)	92
6-9	Event Counter Mode Operation	92
6-10	Timer/Event Counter Mode Register Setting (Frequency Measurement Mode)	93
6-11	Frequency Measurement Mode Operation	93
6-12	Timer/Event Counter Mode Register Setting (Pulse Width Measurement Mode)	94
6-13	Pulse Width Measurement Mode Operation	95
6-14	Timer/Event Counter Output Mode Register Setting	95
6-15	Timer/Event Counter Mode Register Setting (Programmable Rectangular-Wave Output Mode)	96
6-16	Programmable Rectangular-Wave Output Mode Operation	96
6-17	Timer/Event Counter Mode Register Setting (Programmable Rectangular-Wave Output: ECNT Clear, CO0 Output Reset)	98
6-18	Port C Setting (Programmable Rectangular-Wave Output)	98
6-19	Timer/Event Counter Mode Register Setting (Programmable Rectangular-Wave Output: ECNT Operation Setting)	99
6-20	Single Pulse Output	100
6-21	Port C Setting (Single Pulse Output)	101
6-22	Interrupt Mask Register Setting (Single Pulse Output: INTEIN Mask Release)	101
6-23	Timer/Event Counter Mode Register Setting (Single Pulse Output: ECNT Operation Setting)	102

LIST OF FIGURES (2/3)

Figure No.	Title	Page
6-24	Timer/Event Counter Mode Register Setting (Single Pulse Output: CO0 Output Timing Setting)	103
6-25	Interrupt Mask Register (MKL) Setting (Single Pulse Output: INTE1 Mask Release)	104
7-1	Serial Interface Configuration	107
7-2	Serial Mode High Register (SMH) Format	111
7-3	Serial Mode Low Register (SML) Format	113
7-4	Serial Mode Register Format in Asynchronous Mode	115
7-5	Asynchronous Data Format	118
7-6	Serial Mode Register Format in Synchronous Mode	121
7-7	Synchronous Mode Timing	122
7-8	Serial Mode Register Format in I/O Interface Mode	123
7-9	I/O Interface Mode Timing	124
7-10	Example of Serial Data Transfer System Configuration	127
7-11	Serial Mode Register Setting	128
7-12	Timer Mode Register Setting	129
7-13	Port C Setting (Serial Interface)	130
7-14	Serial Mode High Register (SMH) Setting (Serial Interface: Transmission Enable)	130
7-15	Interrupt Mask Register (MKH) Setting (Serial Interface: INTSR Mask Release)	133
7-16	Serial Mode High Register (SMH) Setting (Serial Interface: Reception Enable)	133
8-1	A/D Converter Block Diagram	138
8-2	A/D Channel Mode Register Format	141
8-3	A/D Channel Mode Register in Scan Mode	142
8-4	Outline of A/D Converter Operation Timing in Scan Mode	143
8-5	A/D Channel Mode Register in Select Mode	143
8-6	Outline of A/D Converter Operation Timing in Select Mode	144
8-7	Relationship Between Analog Input Voltage and A/D Conversion Results	145
8-8	Memory Map (Store Example of A/D Conversion Result)	146
8-9	A/D Channel Mode Register Settings	147
9-1	Interrupt Control Circuit Block Diagram	154
9-2	Mask Register (MKL, MKH) Format	156
9-3	Interrupt Sampling	159
9-4	Interrupt Operation Procedure	161
9-5	Internal Configuration of NMI Pin	162
9-6	Interrupt Servicing Sequence (Masking released for both INT1 and INT2)	164
9-7	Interrupt Servicing Sequence (Masking released for either INT1 or INT2)	165
9-8	3-Level Multiple Interrupts	169
10-1	HALT Mode Release Timing ($\overline{\text{RESET}}$ Signal Input)	172
10-2	HALT Mode Release Timing (In EI State)	173
10-3	HALT Mode Release Timing (In DI State)	173
10-4	Software STOP Mode Release Timing ($\overline{\text{RESET}}$ Signal Input)	175
10-5	SB Flag Operation	176
10-6	Software STOP Mode Release Timing ($\overline{\text{NMI}}$ Signal Input)	176
10-7	Hardware STOP Mode Release Timing ($\overline{\text{STOP}}$ Signal Input)	178
10-8	Hardware STOP Mode Release Timing ($\overline{\text{RESET}}$ Signal Input)	178
10-9	Hardware STOP Mode Release Timing ($\overline{\text{STOP}}$ Signal Rising to $\overline{\text{RESET}}$ Signal Input)	179
10-10	Relation between V_{DD} and SB Flag	179
10-11	Oscillator Connection Circuit	182
10-12	Example of External Clock Input Circuit	182
10-13	Examples of Poor Resonator Connection Circuit	183

LIST OF FIGURES (3/3)

Figure No.	Title	Page
11-1	External Expansion Modes Set by Memory Mapping Register	189
11-2	Memory Mapping Register Format (μ PD78C18/78C14/78C14A/78C12A/78C11A)	191
11-3	Example of Memory Expansion (Reference Diagram)	192
11-4	Memory Mapping Register Settings	193
11-5	μ PD71055 Connection Diagram (Reference Diagram)	195
11-6	Memory Map (μ PD78C18)	196
11-7	Memory Map (μ PD78C14/78C14A)	196
11-8	Memory map (μ PD78C12A)	197
11-9	Memory Map (μ PD78C11A)	197
11-10	MM Register Format (μ PD78C17/78C10A)	199
11-11	μ PD78C17 Address Space	199
11-12	μ PD78C10A Address Space	200
11-13	OP Code Fetch Timing.....	202
11-14	External Device Read Timing	202
11-15	External Device Write Timing	202
12-1	Memory Mapping Register Format (μ PD78CP18)	204
12-2	Memory Mapping Register Format (μ PD78CP14)	205
13-1	PROM Write/Verify Timing	209
13-2	PROM Read Timing	210
15-1	Analog Input Circuit Block Diagram	331
15-2	When Both $\overline{\text{NMI}}$ and $\overline{\text{STOP}}$ Are Used	332
15-3	Control Timing of $\overline{\text{NMI}}$ and $\overline{\text{STOP}}$	333
15-4	When Both $\overline{\text{NMI}}$ and $\overline{\text{STOP}}$ Are Used	334
15-5	Control Timing of $\overline{\text{RESET}}$ and $\overline{\text{STOP}}$	334
15-6	μ PD78C18 Read Operation	335
A-1	Memory Map (μ PD78C14 Mode)	343
A-2	Memory Map (μ PD78C12A Mode)	344
A-3	Memory Map (μ PD78C11A Mode)	345
A-4	Memory Mapping Register Format (μ PD78CG14)	347
A-5	Connection to 27C256A.....	348

[MEMO]

LIST OF TABLES

Table No.	Title	Page
2-1	Operation of PC7 to PC0	24
2-2	Operation of PF7 to PF0 (μ PD78C18/78C14/78C14A/78C12A/78C11A/78CP18/78CP14)	26
2-3	Operation of PF7 to PF0 (μ PD78C17/78C10A)	27
2-4	MODE0 and MODE1 Functions (μ PD78C17/78C10A)	28
2-5	Pin Type No.	31
3-1	Mode Register Functions	41
3-2	Flag Operations	43
4-1	Operation of PD7 to PD0 (μ PD78C18/78C14/78C14A/78C12A/78C11A/78CP18/78CP14) ...	70
4-2	Operation of PF7 to PF0 (μ PD78C18/78C14/78C14A/78C12A/78C11A/78CP18/78CP14)	72
4-3	Operation of PF7 to PF0 (μ PD78C17/78C10A)	72
4-4	Operation of Arithmetic/Logical Operation Instructions Involving a Port	73
6-1	Timing for Latching in ECPT	82
6-2	ECNT Inputs	83
6-3	ECNT Clearing	84
6-4	INTEIN Interrupt Request Flag Setting	84
7-1	Timer Setting	118
7-2	Maximum Data Transfer Rate at Transmission	119
7-3	Maximum Data Transfer Rate at Reception	120
8-1	Conversion Speed Settings	140
9-1	Priorities and Interrupt Addresses	153
9-2	Maximum Interrupt Wait Time	168
10-1	Output Pin Statuses	171
10-2	Output Pin Statuses	174
10-3	Hardware States after Reset	180
10-4	Pin States after Reset	181
10-5	Recommended Ceramic Resonator	185
11-1	PF7 to PF0 Address Bus Selection	187
13-1	Pin Functions in PROM Programming	207
13-2	PROM Programming Modes	208
13-3	Recommended Connection of Unused Pins (In PROM Programming Mode)	208
15-1	Compare Register, Match Signal and Match Interrupt of Each Timer	328

CHAPTER 1 GENERAL DESCRIPTION

CMOS version products in the 87AD series have the following functions integrated in a single chip:

- ROM (except μ PD78C17, 78C10A)
- RAM
- 16-bit ALU
- A/D converter
- Multi-function timers/event counters
- General-purpose serial interface, etc.

87AD series CMOS products offer enhanced standby functions and a wide range of packages while maintaining compatibility with existing NMOS products. This allows further reductions in system low power consumption and size to be achieved.

The features of the various products are shown below.

Product Name	On-Chip ROM	On-Chip RAM	External Expansion Memory	Remarks
μ PD78C10A	None	256 \times 8 bits	Up to 64K bytes	ROM-less product
μ PD78C10A(A)				
μ PD78C11A	4K \times 8 bits	256 \times 8 bits	Up to 60K bytes	On-chip pull-up resistor specifiable
μ PD78C11A(A)				
μ PD78C12A	8K \times 8 bits	256 \times 8 bits	Up to 56K bytes	On-chip pull-up resistor specifiable
μ PD78C12A(A)				
μ PD78C14	16K \times 8 bits	256 \times 8 bits	Up to 48K bytes	—
μ PD78C14(A)				On-chip pull-up resistor specifiable
μ PD78C14A				
μ PD78CP14				PROM product
μ PD78CP14(A)				
μ PD78CG14				16K \times 8 bits (external)
μ PD78C17	None	1K \times 8 bits	Up to 63K bytes	ROM-less product
μ PD78C17(A)				
μ PD78C18	32K \times 8 bits	1K \times 8 bits	Up to 31K bytes	On-chip pull-up resistor specifiable
μ PD78C18(A)				PROM product
μ PD78CP18				
μ PD78CP18(A)				

In the μ PD78CP18/78CP14, the on-chip mask ROM of the μ PD78C18/78C14 is replaced with one-time PROM or EPROM.

One-time PROM products can be programmed once only, and are useful for short-run and multiple-device set production and early start-up. EPROM products can be programmed and reprogrammed, and are ideally suited to system evaluation.

The relationship between "Standard" quality grade products and "Special" quality grade products.

"Standard" Quality Grade Products	"Special" Quality Grade Products
μ PD78C10A	μ PD78C10A(A)
μ PD78C11A	μ PD78C11A(A)
μ PD78C12A	μ PD78C12A(A)
μ PD78C14	μ PD78C14(A)
μ PD78CP14	μ PD78CP14(A)
μ PD78C17	μ PD78C17(A)
μ PD78C18	μ PD78C18(A)
μ PD78CP18	μ PD78CP18(A)

Applications

• **The "Standard" Products**

- Stationary machine and OA equipmentPPC (Plain paper copier), printer, electronic typewriter, ECR (Electronic cash register), FAX, bar code reader, etc.
- Automobile equipmentAutomobile air conditioner, cellular phone (communication), etc.
- Home electric appliancesAir conditioner, VCRs, etc.
- OthersElectronic musical instrument, POS (Point of sales terminal), inverter, electronic sewing machine, auto focus cameras, etc.

• **The "Special" Products**

- Automobile equipmentAutomobile electronic equipment, fuel control

1.1 Features

- 159 types of instructions
 - Multiplication/division instructions, 16-bit operation instructions possible
- Minimum instruction execution time
 - 0.8 μ s (at 15 MHz operation)
- ROM capacity
 - 32768 \times 8 bits (μ PD78C18/78CP18^{Note 1})
 - 16384 \times 8 bits (μ PD78C14, 78C14A, 78CP14^{Note 1})
 - 8192 \times 8 bits (μ PD78C12A)
 - 4096 \times 8 bits (μ PD78C11A)
 - ROM-less (μ PD78C17/78C10A)
- RAM capacity^{Note 2}
 - 1024 \times 8 bits (μ PD78C18/78CP18/78C17)
 - 256 \times 8 bits (μ PD78C14/78C14A/78CP14/78C12A/78C11A/78C10A)
- 8-bit resolution A/D converter
 - 8 channels
- General-purpose serial interface
 - Asynchronous mode
 - Synchronous mode
 - I/O interface mode
- 16-bit timer/event counter
 - 1 channel
- 8-bit timer
 - 2 channels
- Interrupt functions (3 external, 8 internal)
 - Non-maskable interrupt : 1
 - Maskable interrupts : 10
 - 6 priority levels, 6 interrupt addresses

Notes 1. μ PD78CP18/78CP14 have on-chip one-time PROM or EPROM.

2. On-chip RAM can only be used when the RAE bit of the MM register is "1".

- I/O lines
 - Input/output ports : 40 (μ PD78C18/78CP18/78C14/78C14A/78CP14/78C12A/78C11A)
: 28 (μ PD78C17/78C10A)
 - Edge-detected inputs : 4 inputs
- Zero-cross detection function
- Standby functions
 - HALT mode
 - Hardware/software STOP mode
- Incorporation of pull-up resistors can be specified bit wise for port A and port C. **Note**
- On-chip clock oscillator
- Wide variety of packages

Note μ PD78C18/78C14A/78C12A/78C11A only.

1.2 Ordering Information and Quality Grade

1.2.1 Ordering information

(1) μ PD78C10A/78C10A(A)

Part number	Package
μ PD78C10ACW	64-pin plastic shrink DIP
μ PD78C10AGF-3BE	64-pin plastic QFP (resin thickness: 2.7 mm)
μ PD78C10AGQ-36	64-pin plastic QUIP
μ PD78C10AL	68-pin plastic QFJ
μ PD78C10AGF(A)-3BE	64-pin plastic QFP (resin thickness: 2.7 mm)
μ PD78C10AGQ(A)-36	64-pin plastic QUIP
μ PD78C10AL(A)	68-pin plastic QFJ

(2) μ PD78C11A/78C11A(A)

Part number	Package
μ PD78C11ACW-xxx	64-pin plastic shrink DIP
μ PD78C11AGF-xxx-3BE	64-pin plastic QFP (resin thickness: 2.7 mm)
μ PD78C11AGQ-xxx-36	64-pin plastic QUIP
μ PD78C11AGQ-xxx-37	64-pin plastic QUIP (straight)
μ PD78C11AL-xxx	68-pin plastic QFJ
μ PD78C11AGF(A)-xxx-3BE	64-pin plastic QFP (resin thickness: 2.7 mm)
μ PD78C11AGQ(A)-xxx-36	64-pin plastic QUIP
μ PD78C11AL(A)-xxx	68-pin plastic QFJ

Remark xxx indicates ROM code number.

(3) μ PD78C12A/78C12A(A)

Part number	Package
μ PD78C12ACW-xxx	64-pin plastic shrink DIP
μ PD78C12AGF-xxx-3BE	64-pin plastic QFP (resin thickness: 2.7 mm)
μ PD78C12AGQ-xxx-36	64-pin plastic QUIP
μ PD78C12AGQ-xxx-37	64-pin plastic QUIP (straight)
μ PD78C12AL-xxx	68-pin plastic QFJ
μ PD78C12AGF(A)-xxx-3BE	64-pin plastic QFP (resin thickness: 2.7 mm)
μ PD78C12AGQ(A)-xxx-36	64-pin plastic QUIP
μ PD78C12AL(A)-xxx	68-pin plastic QFJ

Remark xxx indicates ROM code number.

(4) μ PD78C14/78C14(A)/78C14A/78CG14/78CP14/78CP14(A)

Part number	Package
μ PD78C14CW-xxx	64-pin plastic shrink DIP
μ PD78C14G-xxx-36	64-pin plastic QUIP
μ PD78C14G-xxx-37	64-pin plastic QUIP (straight)
μ PD78C14G-xxx-1B	64-pin plastic QFP (resin thickness: 2.05 mm)
μ PD78C14GF-xxx-3BE	64-pin plastic QFP (resin thickness: 2.7 mm)
μ PD78C14L-xxx	68-pin plastic QFJ
μ PD78C14G(A)-xxx-36	64-pin plastic QUIP
μ PD78C14GF(A)-xxx-3BE	64-pin plastic QFP (resin thickness: 2.7mm)
μ PD78C14L(A)-xxx	68-pin plastic QFJ
μ PD78C14AG-xxx-AB8	64-pin plastic QFP (inter-pin pitch: 0.8 mm)
μ PD78CG14E	64-pin ceramic piggyback QUIP
μ PD78CP14CW	64-pin plastic shrink DIP
μ PD78CP14DW	64-pin ceramic shrink DIP with window
μ PD78CP14G-36	64-pin plastic QUIP
μ PD78CP14GF-3BE	64-pin plastic QFP (resin thickness: 2.7 mm)
μ PD78CP14KB	64-pin ceramic WQFN
μ PD78CP14L	68-pin plastic QFJ
μ PD78CP14R	64-pin ceramic QUIP with window
μ PD78CP14G(A)-36	64-pin plastic QUIP

Remark xxx indicates ROM code number.

(5) μ PD78C17/78C17(A)

Part number	Package
μ PD78C17CW	64-pin plastic shrink DIP
μ PD78C17GF-3BE	64-pin plastic QFP (resin thickness: 2.7 mm)
μ PD78C17GQ-36	64-pin plastic QUIP
μ PD78C17GF(A)-3BE	64-pin plastic QFP (resin thickness: 2.7 mm)
μ PD78C17GQ(A)-36	64-pin plastic QUIP

(6) μ PD78C18/78C18(A)/78CP18/78CP18(A)

Part number	Package
μ PD78C18CW-xxx	64-pin plastic shrink DIP
μ PD78C18GF-xxx-3BE	64-pin plastic QFP (resin thickness: 2.7 mm)
μ PD78C18GQ-xxx-36	64-pin plastic QUIP
μ PD78C18GF(A)-xxx-3BE	64-pin plastic QFP (resin thickness: 2.7 mm)
μ PD78C18GQ(A)-xxx-36	64-pin plastic QUIP
μ PD78CP18CW	64-pin plastic shrink DIP
μ PD78CP18DW	64-pin ceramic shrink DIP with window
μ PD78CP18GF-3BE	64-pin plastic QFP (resin thickness: 2.7 mm)
μ PD78CP18GQ-36	64-pin plastic QUIP
μ PD78CP18KB	64-pin ceramic WQFN
μ PD78CP18GF(A)-3BE	64-pin plastic QFP (resin thickness: 2.7 mm)
μ PD78CP18GQ(A)-36	64-pin plastic QUIP

Remark xxx indicates ROM code number.

1.2.2 Quality grade

- **Standard**

μ PD78C10A	μ PD78C14A	μ PD78C18
μ PD78C11A	μ PD78CG14	μ PD78CP18
μ PD78C12A	μ PD78CP14	
μ PD78C14	μ PD78C17	

- **Special**

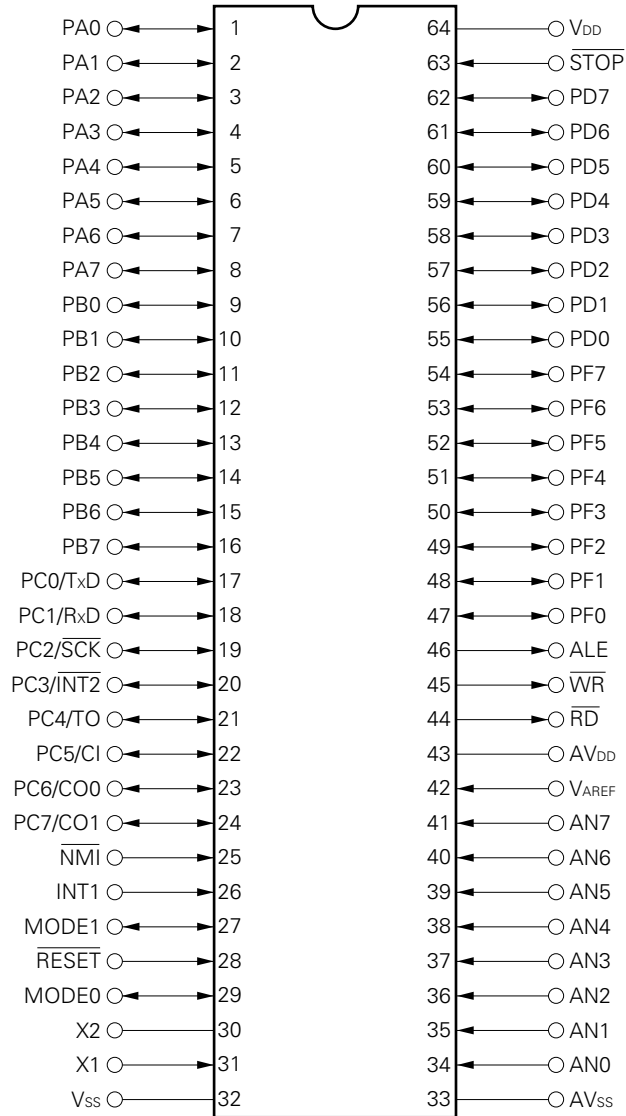
μ PD78C10A(A)	μ PD78C14(A)	μ PD78C18(A)
μ PD78C11A(A)	μ PD78CP14(A)	μ PD78CP18(A)
μ PD78C12A(A)	μ PD78C17(A)	

Please refer to "Quality grade on NEC Semiconductor Devices" (Document number IEI-1209) published by NEC Corporation to know the specification of quality grade on the devices and its recommended applications.

1.3 Pin Configurations (Top View)

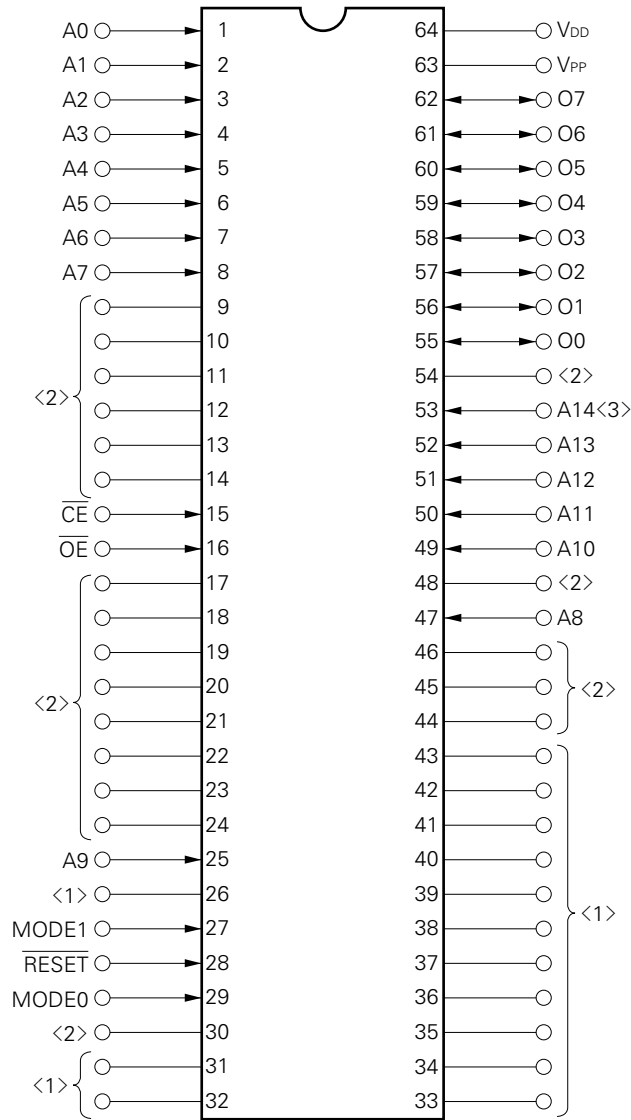
1.3.1 Shrink DIP, QUIP (straight) (37), QUIP (36)

(1) Normal operation mode



PA7 to PA0	: Port A	X1, X2	: Crystal
PB7 to PB0	: Port B	AN7 to AN0	: Analog Input
PC7 to PC0	: Port C	\overline{RD}	: Read Strobe
PD7 to PD0	: Port D	\overline{WR}	: Write Strobe
PF7 to PF0	: Port F	ALE	: Address Latch Enable
\overline{NMI}	: Non Maskable Interrupt	\overline{RESET}	: Reset
INT1	: Interrupt Request	V _{AREF}	: Reference Voltage
MODE0, 1	: Mode0, 1	\overline{STOP}	: Stop Control Input

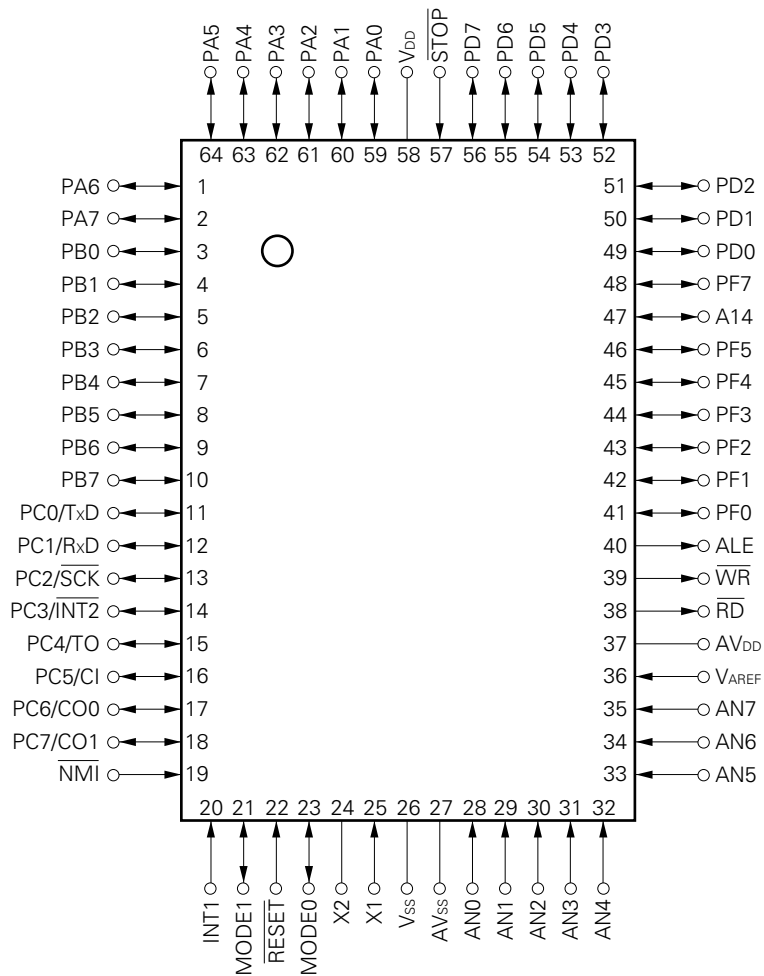
(2) EPROM mode (μ PD78CP18/78CP14 only)



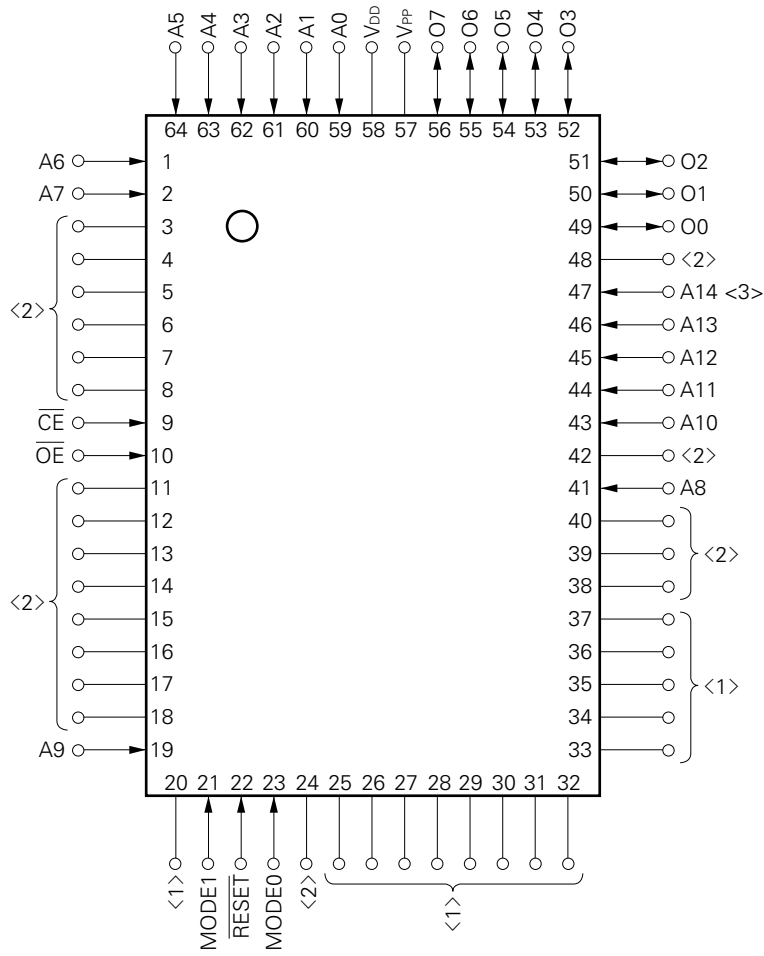
- Cautions**
- <1>: Connect directly to Vss.
 - <2>: Pull down individually to Vss potential via a resistor.
 - <3>: μ PD78CP18 only.
In case of μ PD78CP14, pull down to Vss potential via a resistor.

1.3.2 QFP (1B/3BE), WQFN

(1) Normal operation mode

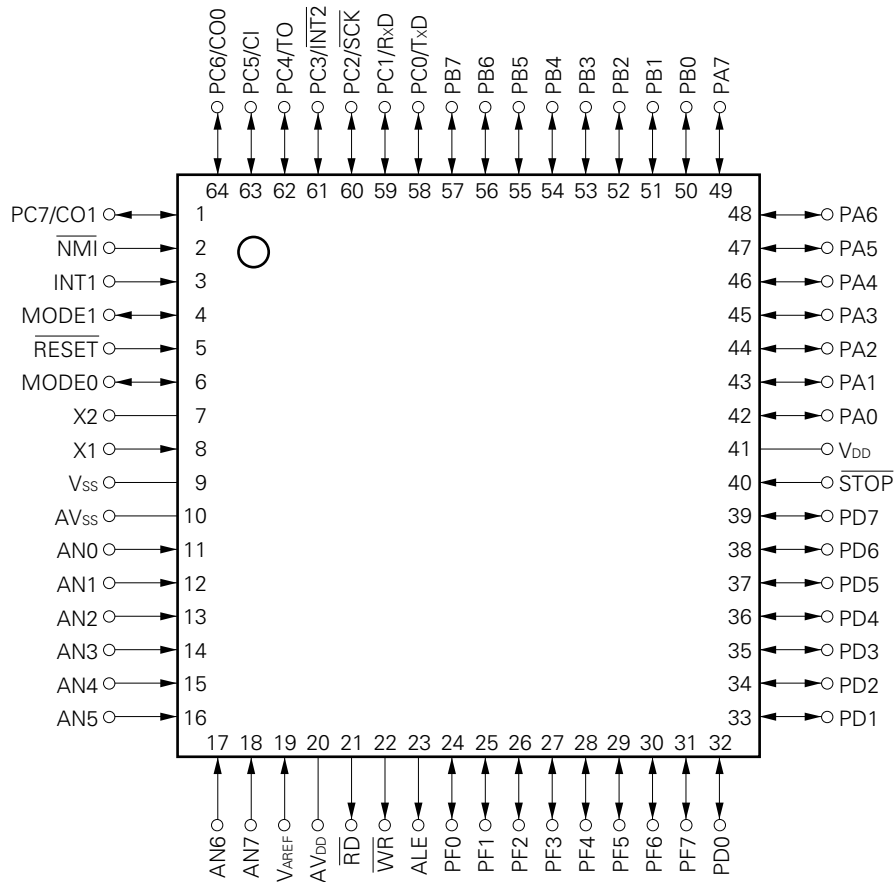


(2) EPROM mode (μ PD78CP18/78CP14 only)



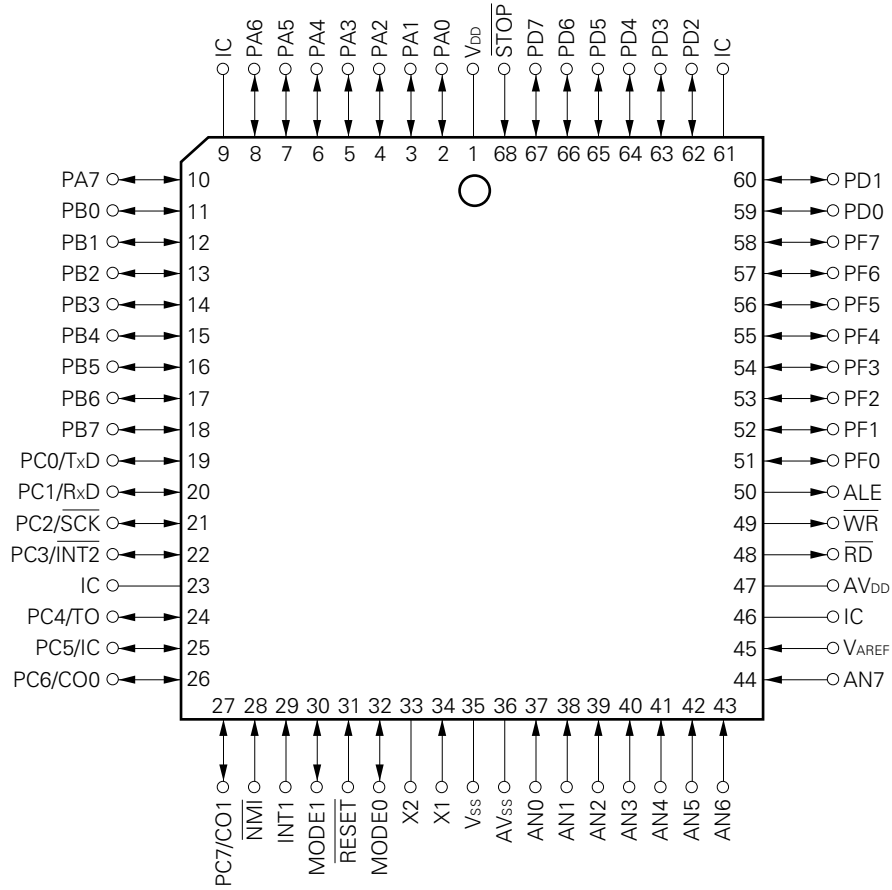
- Cautions**
- <1>: Connect directly to V_{ss}.
 - <2>: Pull down individually to V_{ss} potential via a resistor.
 - <3>: μ PD78CP18 only.
In the case of μ PD78CP14, pull down to V_{ss} potential via a resistor.

1.3.3 QFP (AB8)



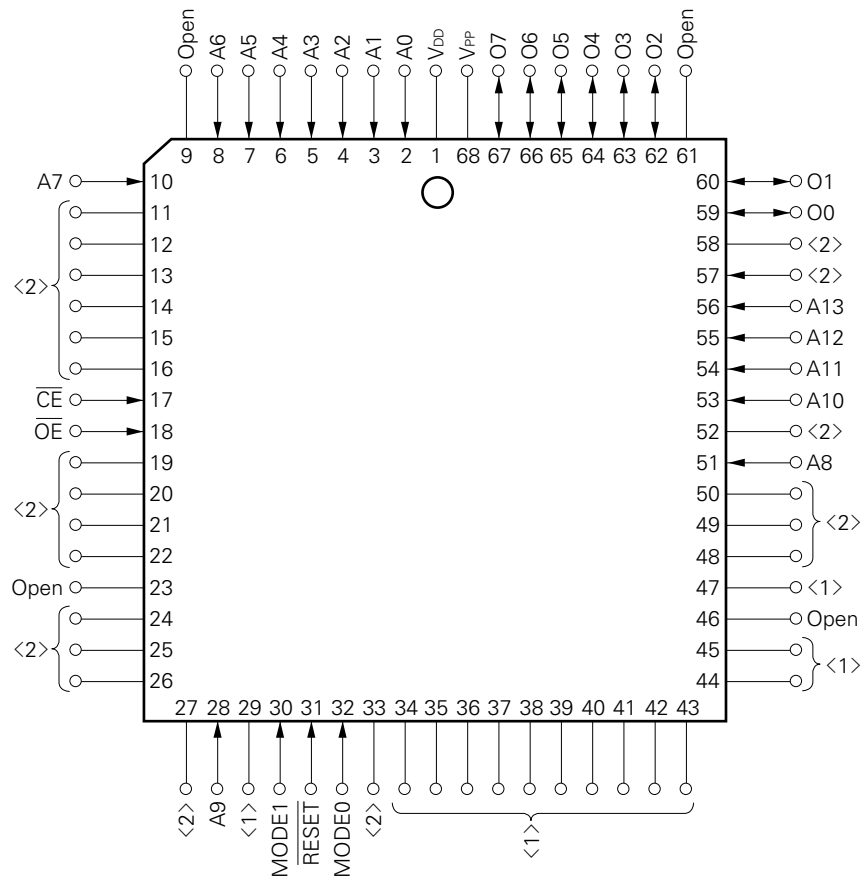
1.3.4 QFJ

(1) Normal operation mode



Remark IC: Internally connected

(2) EPROM mode (μ PD78CP14 only)

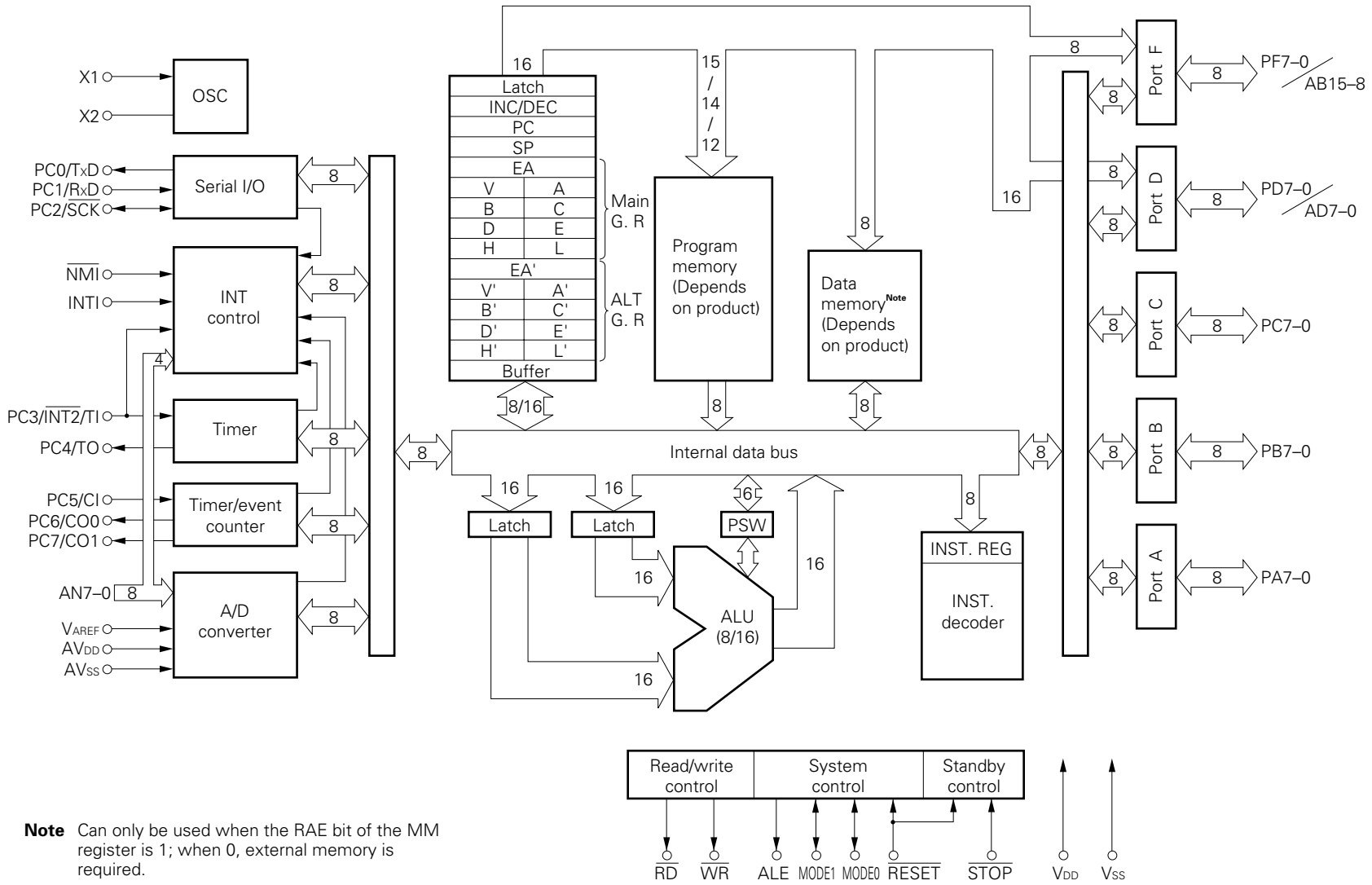


Cautions Open : Leave open.

<1> : Connect directly to Vss.

<2> : Pull down individually to Vss potential via a resistor.

1.4 Block Diagram



1.5 Functional Comparison of 87AD Series CMOS Products

Product Name		μ PD78C10A	μ PD78C11A	μ PD78C12A	μ PD78C14	μ PD78C14A	
Item							
Instructions		159					
Minimum instruction execution time		0.8 μ s (at 15 MHz operation)					
On-chip ROM		ROM-less	4K \times 8 bits	8K \times 8 bits	16K \times 8 bits		
On-chip RAM		256 \times 8 bits					
Interrupts	External	3					
	Internal	8					
Timer/counter		8-bit timer \times 2, 16-bit timer/event counter \times 1					
A/D converter		8 bit \times 8 channels					
Serial interface		UART (full duplex)/clocked					
I/O lines ^{Note}		32	44				
Package		<ul style="list-style-type: none"> • 64-pin plastic shrink DIP (750 mil) • 64-pin plastic QFP (14 \times 20 mm) • 64-pin plastic QUIP • 68-pin plastic QFJ 	<ul style="list-style-type: none"> • 64-pin plastic shrink DIP (750 mil) • 64-pin plastic QFP (14 \times 20 mm) • 64-pin plastic QUIP • 64-pin plastic QUIP (straight) • 68-pin plastic QFJ 			<ul style="list-style-type: none"> • 64-pin plastic QFP (14 \times 14 mm) 	

(to be continued)

Note Incorporation of pull-up resistors can be specified by mask option for port A and port C of the μ PD78C11A/78C12A.

Product Name		μ PD78CP14	μ PD78CG14	μ PD78C17	μ PD78C18	μ PD78CP18
Item						
Instructions		159				
Minimum instruction execution time		0.8 μ s (at 15 MHz operation)				
On-chip ROM		16K \times 8 bits (PROM)	16K \times 8 bits (piggyback)	ROM-less	32K \times 8 bits	32K \times 8 bits (PROM)
On-chip RAM		256 \times 8 bits			1K \times 8 bits	
Interrupts	External	3				
	Internal	8				
Timer/counter		8-bit timer \times 2, 16-bit timer/event counter \times 1				
A/D converter		8 bit \times 8 channels				
Serial interface		UART (full duplex)/clocked				
I/O lines ^{Note}		44		32	44	
Package		<ul style="list-style-type: none"> • 64-pin plastic shrink DIP (750 mil) • 64-pin plastic QFP (14 \times 20 mm) • 64-pin plastic QUIP • 68-pin plastic QFJ • 64-pin ceramic shrink DIP with window (750 mil) • 64-pin ceramic QUIP with window • 64-pin ceramic WQFN 	<ul style="list-style-type: none"> • 64-pin ceramic piggyback QUIP 	<ul style="list-style-type: none"> • 64-pin plastic shrink DIP (750 mil) • 64-pin plastic QFP (14 \times 20 mm) • 64-pin plastic QUIP 	<ul style="list-style-type: none"> • 64-pin plastic shrink DIP (750 mil) • 64-pin plastic QFP (14 \times 20 mm) • 64-pin plastic QUIP • 64-pin ceramic shrink DIP with window (750 mil) • 64-pin ceramic WQFN 	

Note Incorporation of pull-up resistors can be specified by mask option for port A and port C of the μ PD78C14A/78C18.

1.6 Differences between 87AD Series CMOS and NMOS Products

Process		CMOS	NMOS
Item			
Product name		μ PD78C18/78C17/78C14/78C14A/78C12A/78C11A/78C10A	μ PD7811/7810
Instructions		159 (STOP instruction added)	158
Special registers		28 (ZCM register added)	27
Standby function		3 modes: HALT mode, software STOP mode, hardware STOP mode. On-chip RAM data retained at low supply voltage (2.5 V) in software/hardware STOP mode.	32-byte data of 256-byte on-chip RAM retained at low supply voltage (3.2 V).
HLT instruction states		12	11
HALT mode	CPU operation	Stopped	M3, T2 cycle repetition
	ALE	Low level	High level
Self-bias control of zero-cross detector		Self-bias control possible (by ZCM register specification)	Self-bias control not possible
NMI/RESET noise elimination method		By analog delay	By clock sampling
A/D converter		Operation stoppable (V _{AREF} pin manipulation)	Operation not stoppable
Operation during reset	$\overline{RD}/\overline{WR}$	High impedance	High level
	ALE		Output
	PD/PF (ROM-less products)		0 output to pin specified by address bus. Remainder are high impedance.
Power consumption	Operating	65 mW Typ. (15 MHz) ^{Note 1}	750 mW Typ.
	Standby	5 μ W Typ.	4.8 mW Typ.
Package ^{Note 2}		64-pin plastic shrink DIP 64-pin plastic QUIP (straight) 64-pin plastic QUIP 64-pin plastic QFP (bent leads) 68-pin plastic QFJ	64-pin plastic shrink DIP 64-pin plastic QUIP (straight) 64-pin plastic QUIP
Pin connection (except QFP & QFJ)		V _{DD} (pin 64)	V _{CC} (pin 64)
		\overline{STOP} (pin 63)	V _{DD} (pin 63)

- Notes**
- 80 mW (15 MHz) on the μ PD78C18/78C17/78C14/78C14A.
 - Correspondence between pin connection and pin number depends on the type of package.

Caution There are also differences in electrical specifications, oscillator characteristics, and some internal operation timings: These should be noted when directly replacing a μ PD7811/7810 with a μ PD78C18/78C17/78C14/78C14A/78C12A/78C11A/78C10A.

1.7 Differences between "Standard" and "Special" Quality Grade Products

Item \ Product Name	μ PD78C10A, μ PD78C11A, μ PD78C12A	μ PD78C14, μ PD78CP14	μ PD78C17, μ PD78C18	μ PD78C10A(A), μ PD78C11A(A), μ PD78C12A(A)	μ PD78C14(A), μ PD78CP14(A)	μ PD78C17(A), μ PD78C18(A), μ PD78CP18(A)
Quality grade	Standard			Special		
Electrical specifications	Input leak current AN7 to AN0; $\pm 10 \mu\text{A}$ (MAX.)			Input leak current AN7 to AN0; $\pm 1 \mu\text{A}$ (MAX.)		
Package	<ul style="list-style-type: none"> • 64-pin plastic shrink DIP • 64-pin plastic QUIP • 64-pin plastic QUIP (straight)^{Note 1} • 64-pin plastic QFP • 68-pin plastic QFJ 	<ul style="list-style-type: none"> • 64-pin plastic shrink DIP • 64-pin plastic QFP • 64-pin plastic QUIP 	<ul style="list-style-type: none"> • 64-pin plastic QFP • 64-pin plastic QUIP • 68-pin plastic QFJ 	<ul style="list-style-type: none"> • 64-pin plastic QFP^{Note 2} • 64-pin plastic QUIP • 68-pin plastic QFJ^{Note 2} 	<ul style="list-style-type: none"> • 64-pin plastic QFP • 64-pin plastic QUIP 	

Notes 1. Except μ PD78C10/78C10A.

2. Except μ PD78CP14(A).

CHAPTER 2 PIN FUNCTIONS

The μ PD78C18/78C17/78C14/78C14A/78C12A/78C11A/78C10A operate with normal operation mode pin functions. μ PD78CP18/78CP14 pin functions are of two kinds: Normal operation mode and EPROM mode. EPROM mode is entered by driving the MODE1 pin low and the MODE0 pin high.

2.1 Normal Operation Mode

2.1.1 PA7 to PA0 (Port A) ... 3-state input/output

These are the 8-bit input/output pins of port A (8-bit input/output port with output latch), and can be specified bit-wise as input/output by means of the Mode A register (MA).

Upon $\overline{\text{RESET}}$ input, PA7 to PA0 are set as input port (high-impedance). PA7 to PA0 also become high-impedance in the hardware STOP mode.

In the μ PD78C18/78C14A/78C12A/78C11A, pull-up resistors can be incorporated bit-wise.

2.1.2 PB7 to PB0 (Port B) ... 3-state input/output

These are the 8-bit input/output pins of port B (8-bit input/output port with output latch), and can be specified bit-wise as input/output by means of the Mode B register (MB).

Upon $\overline{\text{RESET}}$ input, PB7 to PB0 are set as an input port (high-impedance). PB7 to PB0 also become high-impedance in the hardware STOP mode.

In the μ PD78C18/78C14A/78C12A/78C11A, pull-up resistors can be incorporated bit-wise.

2.1.3 PC7 to PC0 (Port C) ... 3-state input/output

These pins operate as the 8-bit input/output pins of port C (8-bit input/output port with output latch), but in addition to functioning as an input/output port, they also function as pins for various control signals.

The PC7 to PC0 operating mode can be set bit-wise to port or control signal input/output mode by means of the Mode Control C register (MCC) (see **Table 2-1**).

In the μ PD78C18/78C14A/78C12A/78C11A, pull-up resistors can be incorporated bit-wise.

Table 2-1. Operation of PC7 to PC0

	MCCn=0	MCCn=1
	Port Mode	Control Signal Input/Output Mode
PC0	Input/output port	TxD output
PC1	Input/output port	RxD input
PC2	Input/output port	$\overline{\text{SCK}}$ input/output
PC3	Input/output port	$\overline{\text{INT2/TI}}$ input
PC4	Input/output port	TO output
PC5	Input/output port	CI input
PC6	Input/output port	CO0 output
PC7	Input/output port	CO1 output

Remark n=0 to 7

(1) Port mode

When PC7 to PC0 are specified as input/output port by means of the mode control C register, they can be set bit-wise as input or output port by means of the mode C register (MC).

(2) Control signal input/output mode

PC7 to PC0 can be set bit-wise as control pins by means of the mode control C register (MCC). The functions of the various control pins are shown below.

(a) TxD (Transmit data) ... Output

The serial data transmission pin, from which the contents of the serial register are output.

(b) RxD (Receive data) ... Input

The serial data reception pin: Data on RxD is loaded into the serial register.

(c) $\overline{\text{SCK}}$ (Serial clock) ... Input/output

The serial input/output data control clock: Functions as an output when the internal clock is used, and as an input when an external clock is used.

(d) $\overline{\text{INT2/TI}}$ (Interrupt request/Timer input) ... Input

The edge-triggered (falling edge) maskable interrupt input pin and timer external clock input pin. Can also be used as the AC signal zero-cross detection pin.

Caution When pull-up resistors are incorporated in PC3 of the $\mu\text{PD78C18/78C14A/78C12A/78C11A}$, the zero-cross function can not be operated correctly.

(e) TO (Timer output) ... Output

Outputs a square wave with the timer count time or one cycle of the internal clock (ϕ_3) as a half-cycle.

(f) CI (Counter input) ... Input

The timer/event counter external pulse input.

(g) CO0, CO1 (Counter output) ... Output

These pins output a rectangular wave which is programmable by the timer/event counter.

Upon $\overline{\text{RESET}}$ input, PC7 to PC0 are set as input port (high-impedance). PC7 to PC0 also become high-impedance in the hardware STOP mode.

2.1.4 PD7 to PD0 (Port D) ... 3-state input/output

■ μ PD78C18/78C14/78C14A/78C12A/78C11A/78CP18/78CP14

These are the 8-bit input/output pins of port D (8-bit input/output port with output latch), but in addition to functioning as an input/output port, they also function as time-division address output and data input/output (multiplexed address/data bus) pins for accessing externally expanded memory.

Pins PD7 to PD0 can be specified as shown below by setting the memory mapping register.

(1) Port mode

As port D input/output pins, PD7 to PD0 can be specified as input or output as a byte (8-bit) unit.

(2) Expansion mode

When an external device (program memory, data memory, or a peripheral device) is added in addition to on-chip memory, PD7 to PD0 are used as a multiplexed address/data bus (AD7 to AD0). When an instruction which references an external device is executed, the lower address information for the external device is output in the first state of the external device reference machine cycle of that instruction, and the pins become a bidirectional 8-bit data bus in the second and third states. At all other times, PD7 to PD0 are high-impedance.

- Cautions**
1. **When pins PD7 to PD0 are functioning as an address/data bus, the contents of the internal address bus are output as they are in synchronization with ALE in the first state of all machine cycles.**
 2. **Emulation cannot be performed by an emulator for a program which varies the port D operating mode dynamically. Therefore, once the mode has been set, it should not be changed to a different mode.**

Upon $\overline{\text{RESET}}$ input, PD7 to PD0 are set as input port (high-impedance). PD7 to PD0 also become high-impedance in the hardware STOP mode.

■ μ PD78C17/78C10A

These pins function only as time-division address output and data input/output (multiplexed address/data bus) pins for accessing externally installed memory.

The pins output the lower 8 bits of the memory address in the first state, and become a bidirectional 8-bit data bus in the second and third states.

When the $\overline{\text{RESET}}$ signal is low, or when in the hardware STOP mode or a standby mode (HALT or STOP), PD7 to PD0 are high-impedance.

Caution Port D can only be used as an address/data bus.

2.1.5 PF7 to PF0 (Port F) ... 3-state input/output

■ **μPD78C18/78C14/78C14A/78C12A/78C11A/78CP18/78CP14**

These are the 8-bit input/output pins of port F (8-bit input/output port with output latch), but in addition to functioning as an input/output port, they also function as address outputs (AB15 to AB8) for accessing externally expanded memory.

Pins PF7 to PF0 can be specified as shown below by setting the memory mapping register.

(1) Port mode

As port F input/output pins, PF7 to PF0 can be specified bit-wise as input or output by means of the mode F register.

(2) Expansion mode

When an external device is expanded in addition to on-chip memory, PF7 to PF0 are used as an address bus (AB15 to AB8) corresponding to the size of the external device, as shown in Table 2-2. When an instruction which references an external device is executed, the upper address information for the external device is output in the external device reference machine cycle of that instruction.

Caution Pins PF7 to PF0 set as an address bus have output to them the contents of the internal address bus as they are in all machine cycles.

Pins not specified as address output pins are in port mode.

Caution Emulation cannot be performed by an emulator for a program which varies the port F operating mode dynamically. Therefore, once the mode has been set, it should not be changed to a different mode.

Table 2-2. Operation of PF7 to PF0 (μPD78C18/78C14/78C14A/78C12A/78C11A/78CP18/78CP14)

PF7	PF6	PF5	PF4	PF3	PF2	PF1	PF0	External Address Space
Port	Port	Port	Port	Port	Port	Port	Port	Up to 256 bytes
Port	Port	Port	Port	AB11	AB10	AB9	AB8	Up to 4K bytes
Port	Port	AB13	AB12	AB11	AB10	AB9	AB8	Up to 16K bytes
AB15	AB14	AB13	AB12	AB11	AB10	AB9	AB8	Up to 31K/48K/56K/60K bytes ^{Note}

Note 31K(μPD78C18), 48K (μPD78C14/78C14A), 56K (μPD78C12A), 60K (μPD78C11A)

The operation of the μPD78CP18 and 78CP14 differ depending on the setting of bits MM5 to MM7 of the memory mapping register.

In the reset state ($\overline{\text{RESET}}$ input=low) or in the hardware STOP mode ($\overline{\text{STOP}}$ input=low), pins PF7 to PF0 become high-impedance. When the $\overline{\text{RESET}}$ input or $\overline{\text{STOP}}$ input subsequently returns to the high level, they are set as address bus or port according to the status of the MODE1 and MODE0 pins.

■ **μPD78C17/78C10A**

These pins can be specified as an address bus (AB15 to AB8) corresponding to the size of the externally installed device by means of the MODE0 and MODE1 pin settings, and the remaining pins can be used as general-purpose input/output ports (see **Table 2-3**).

Table 2-3. Operation of PF7 to PF0 (μPD78C17/78C10A)

MODE1	MODE0	PF7	PF6	PF5	PF4	PF3	PF2	PF1	PF0	External Address Space
0	0	Port	Port	Port	Port	AB11	AB10	AB9	AB8	4K bytes
0	1	Port	Port	AB13	AB12	AB11	AB10	AB9	AB8	16K bytes
1	0	Setting prohibited								
1	1	AB15	AB14	AB13	AB12	AB11	AB10	AB9	AB8	63K/64K bytes ^{Note}

Note 63K (μPD78C17), 64K (μPD78C10A)

In the reset state ($\overline{\text{RESET}}$ input=low) or in the hardware STOP mode ($\overline{\text{STOP}}$ input=low), pins PF7 to PF0 become high-impedance. When the $\overline{\text{RESET}}$ input or $\overline{\text{STOP}}$ input subsequently returns to the high level, they are set as address bus or port according to the status of the MODE1 and MODE0 pins.

Caution Emulation cannot be performed by an emulator for a program which varies the port F operating mode dynamically. Therefore, once the mode has been set, it should not be changed to a different mode.

2.1.6 $\overline{\text{WR}}$ (Write strobe) ... 3-state output

The strobe signal output for a write operation to external memory. This pin is driven high except in external memory data write machine cycles. When the $\overline{\text{RESET}}$ signal is low or when in the hardware STOP mode, $\overline{\text{WR}}$ become high-impedance.

Remark In a data write to internal RAM, $\overline{\text{WR}}$ is driven high.

2.1.7 $\overline{\text{RD}}$ (Read strobe) ... 3-state output

The strobe signal output for a read operation on external memory. This pin is driven high except in external memory data read machine cycles. When the $\overline{\text{RESET}}$ signal is low or when in the hardware STOP mode, $\overline{\text{RD}}$ become high-impedance.

Remark In a data read from internal ROM or RAM, $\overline{\text{RD}}$ is driven high.

2.1.8 ALE (Address latch enable) ... 3-state output

The strobe signal which externally latches the lower address information output to pins PD7 to PD0 for an access to external memory. When the $\overline{\text{RESET}}$ signal is low or when in the hardware STOP mode, ALE is high-impedance.

Caution ALE output continues while the CPU is operating. Therefore, address latching by ALE is effective external access machine cycles.

2.1.9 MODE0, MODE1 (Mode) ... Input/output

■ **μPD78C18/78C14/78C14A/78C12A/78C11A**

The MODE0 pin is set to "0" (low level) and the MODE1 pin is set to "1" (high level) via a pull-up resistor. The pull-up resistor R is $4\text{ [k}\Omega\text{]} \leq R \leq 0.4\text{ t}_{\text{CYC}}\text{ [k}\Omega\text{]}$ (t_{CYC} unit is ns).

When the MODE0 pin is set to "0" (low level) and the MODE1 pin is not "1" (high level), on-chip ROM is not accessed and these pins are functioned in the same way as those of the μPD78C17/78C10A.

■ **μPD78C17/78C10A**

The size of the externally installed memory can be selected as 4K bytes, 16K bytes, or 63K/64K bytes according to the settings of the MODE0 and MODE1 pins.

Table 2-4. MODE0 and MODE1 Functions (μPD78C17/78C10A)

MODE1	MODE0	External Address Space
0	0	4K bytes (addresses 0000H to 0FFFH)
0	1 ^{Note 1}	16K bytes (addresses 0000H to 3FFFH)
1	0	Setting prohibited
1 ^{Note 1}	1 ^{Note 1}	63K bytes (addresses 0000H to FBFFH)/ ^{Note 2} 64K bytes (addresses 0000H to FEFFH)

Notes 1. Pull-up resistor required.

The pull-up resistor R is $4\text{ [k}\Omega\text{]} \leq R \leq 0.4\text{ t}_{\text{CYC}}\text{ [k}\Omega\text{]}$ (t_{CYC} unit is ns).

2. 63K (μPD78C17), 64K (μPD78C10A).

When the MODE0 and MODE1 pins are pulled high up to "1", a control signal is output in synchronization with ALE.

The MODE0 and MODE1 input signals are sampled periodically and the mode is set.

Caution The μPD78CP18 and 78CP14 use the MODE0 pin for input and the MODE1 pin for input/output.

2.1.10 $\overline{\text{NMI}}$ (Non maskable interrupt) ... Input

The edge-triggered (falling edge) non maskable interrupt input.

2.1.11 INT1 (Interrupt request) ... Input

The edge-triggered (rising edge) maskable interrupt input. Can also be used as the AC input zero-cross detection pin.

2.1.12 AN7 to AN0 (Analog input) ... Input

The 8 analog inputs to the A/D converter. AN7 to AN4 can also be used as input pins for falling edge detection; when a falling edge is detected, the test flag is set (1).

2.1.13 V_{AREF} (Reference voltage) ... Input

The A/D converter reference voltage input pin. Also used as the A/D converter operation control pin.

2.1.14 AV_{DD} (Analog V_{DD})

The A/D converter power supply supply pin.

2.1.15 AV_{ss} (Analog V_{ss})

The A/D converter GND pin.

2.1.16 $\overline{\text{STOP}}$ (Stop control input)

The hardware STOP mode control pin; oscillation is stopped when this pin is driven low.

2.1.17 X1, X2 (Crystal)

Crystal connection pins for internal clock oscillation. When the clock is supplied from off chip, the clock should be input to X1, and the inverted X1 clock to X2.

2.1.18 $\overline{\text{RESET}}$ (Reset) ... Input

The low-level active reset pin.

2.1.19 V_{DD}

The positive power supply pin.

2.1.20 V_{ss}

GND potential.

2.1.21 IC^{Note}

Internally connected pin. Leave open.

Note QFJ package only.

2.2 EPROM Mode

The EPROM mode can only be specified for the μ PD78CP18/78CP14.

2.2.1 A14 to A0 (Address) ... Input

The 15-bit address input pins for an EPROM write/verify or read operation.

The on-chip EPROM of the μ PD78CP14 is 16K bytes in size, and is therefore addressed by the lower 14 bits (A13 to A0). PF6 should be fixed low.

2.2.2 O7 to O0 (Data) ... Input/output

The 8-bit data input/output pins for an EPROM write/verify or read operation.

2.2.3 $\overline{\text{CE}}$ (Chip enable) ... Input

The Chip Enable signal input pin.

2.2.4 $\overline{\text{OE}}$ (Output enable) ... Input

The Output Enable signal input pin.

2.2.5 MODE1, MODE0 (Mode) ... Input

The MODE1 pin should be set to "0" (low level) and the MODE0 pin to "1" (high level).

2.2.6 $\overline{\text{RESET}}$ (Reset) ... Input

Should be set to "0" (low level).

2.2.7 V_{PP}

The high-voltage application pin for an EPROM write/verify operation.

Inputs "1" (high level) in an EPROM read.

2.2.8 V_{DD}

The power supply application pin.

2.2.9 V_{SS}

The GND potential pin.

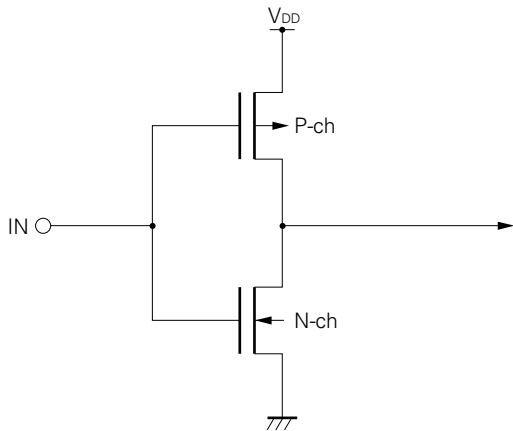
2.3 Pin Input/Output Circuits

The input/output circuits for the pins are shown in partially simplified format in Table 2-5 and Figures (1) to (15).

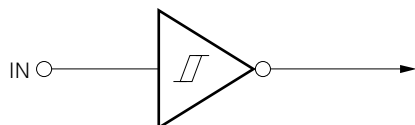
Table 2-5. Pin Type No.

Pin Name	Type No.	
	μ PD78C17/78C14/78C10A	μ PD78C18/78C14A/ 78C12A/78C11A
PA0 to PA7	5	5-A
PB0 to PB7	5	5-A
PC0, PC1	5	5-A
PC2/ $\overline{\text{SCK}}$	8	8-A
PC3/ $\overline{\text{INT2}}$	10	10-A
PC4 to PC7	5	5-A
PD0 to PD7	5	
PF0 to PF7	5	
$\overline{\text{NMI}}$	2	
INT1	9	
$\overline{\text{RESET}}$	2	
$\overline{\text{RD}}$	4	
$\overline{\text{WR}}$	4	
ALE	4	
$\overline{\text{STOP}}$	2	
MODE0	11	
MODE1	11	
AN0 to AN3	7	
AN4 to AN7	12	
V _{AREF}	13	

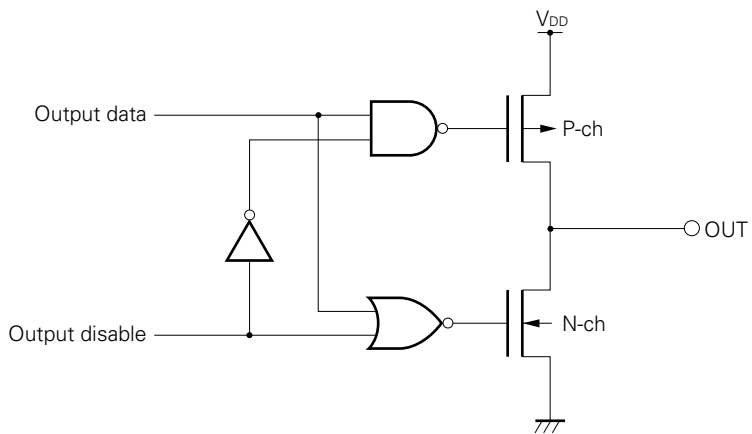
(1) Type 1



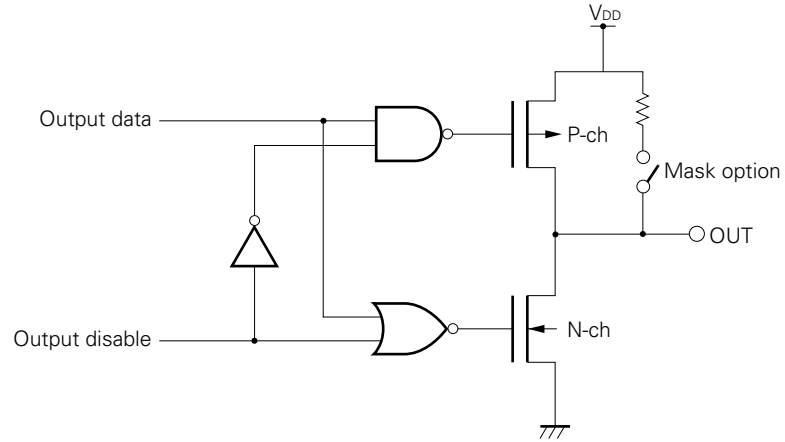
(2) Type 2



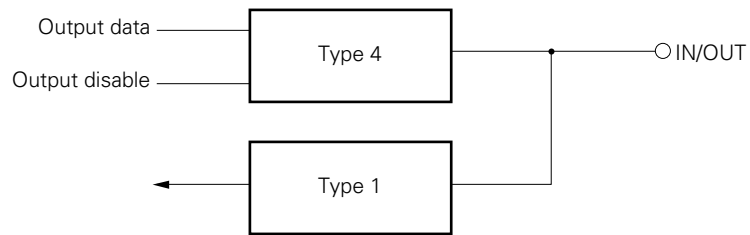
(3) Type 4



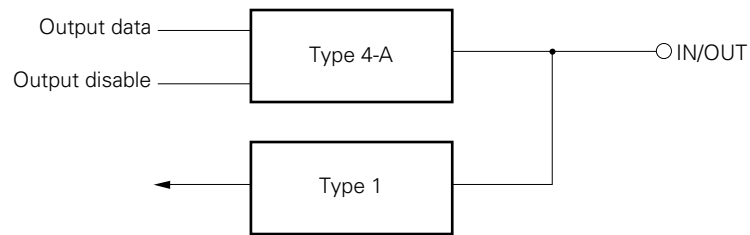
(4) Type 4-A



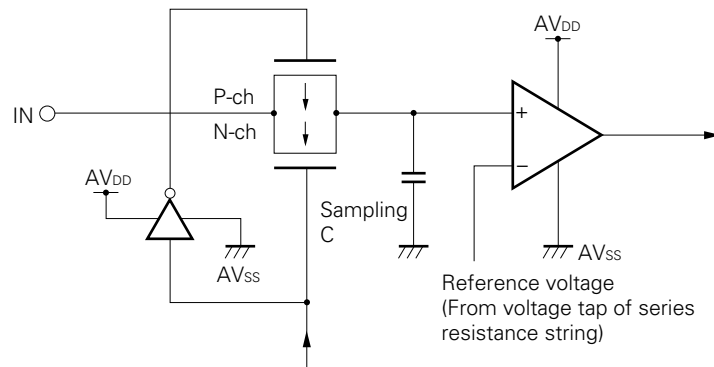
(5) Type 5



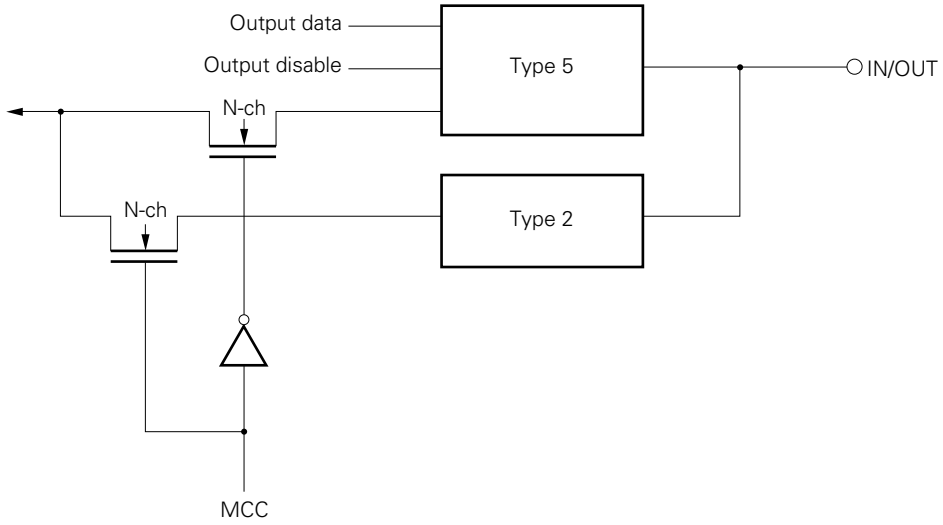
(6) Type 5-A



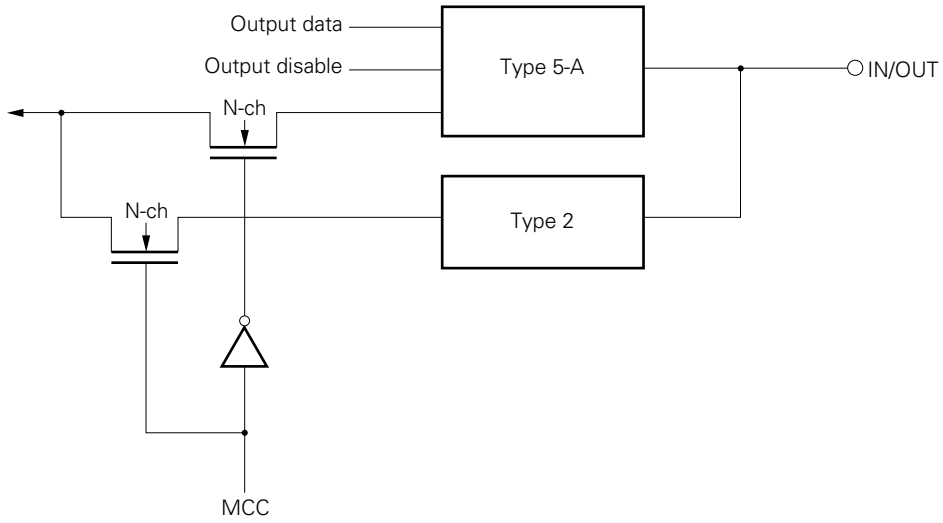
(7) Type 7



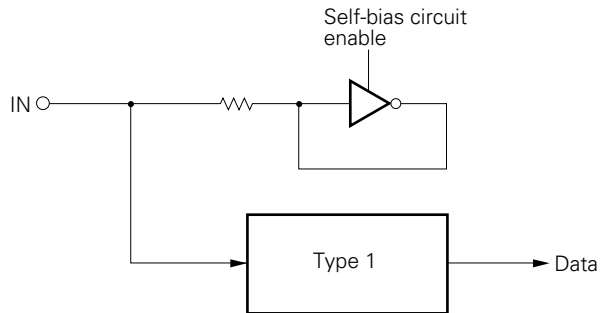
(8) Type 8



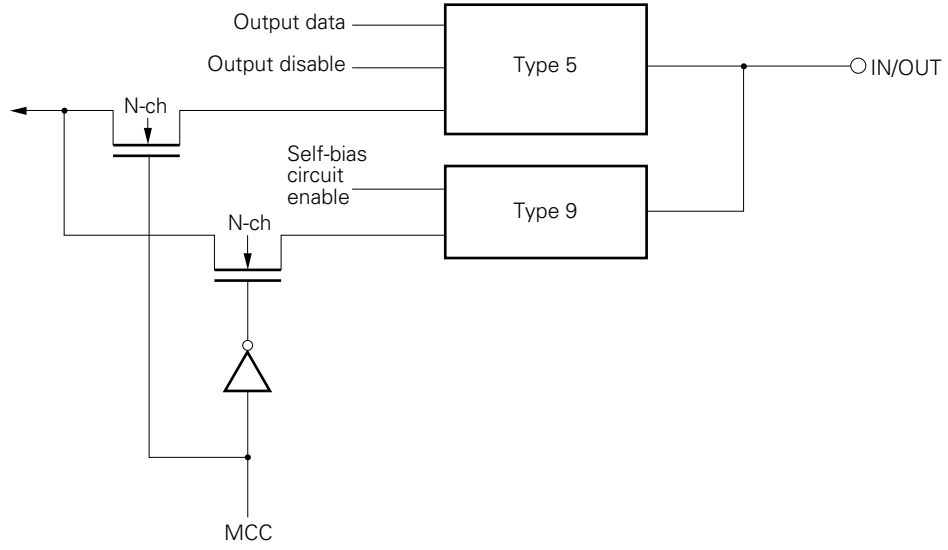
(9) Type 8-A



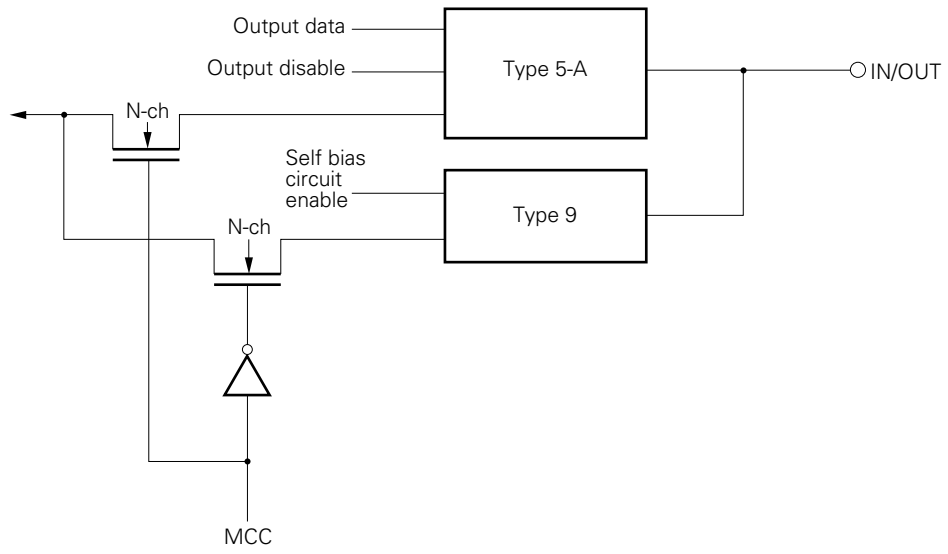
(10) Type 9



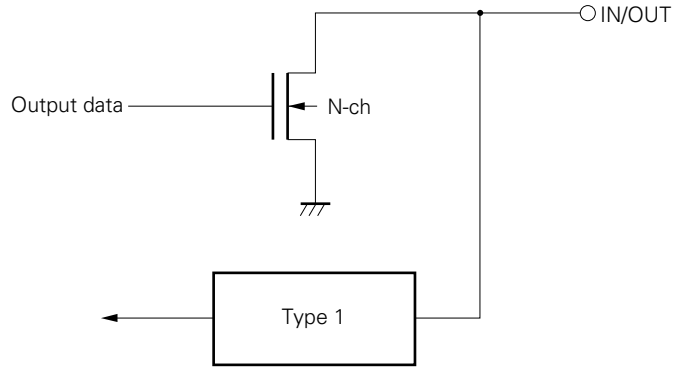
(11) Type 10



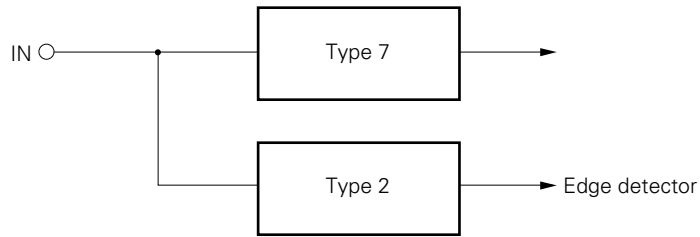
(12) Type 10-A



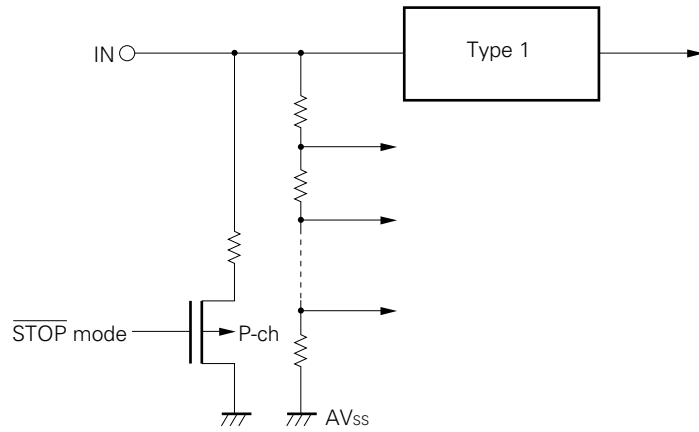
(13) Type 11



(14) Type 12



(15) Type 13



2.4 Pin Mask Options (μ PD78C18/78C14A/78C12A/78C11A Only)

The following mask options are available for pins, and these can be selected bit-wise to suit the purpose.

Pin Name	Mask Option
PA7 to PA0	<1> Pull-up resistor incorporated
PB7 to PB0	<2> Pull-up resistor not incorporated
PC7 to PC0	

Caution If a pull-up resistor is incorporated in PC3, the zero-cross function cannot be operated correctly.

2.5 Processing of Unused Pins

Pin	Recommended Connection
PA0 to PA7 PB0 to PB7 PC0 to PC7 PD0 to PD7 PF0 to PF7	Connect to V _{SS} or V _{DD} via a resistor.
\overline{RD} \overline{WR} ALE	Leave open.
\overline{STOP}	V _{DD}
INT1, \overline{NMI}	Connect to V _{SS} or V _{DD} .
AV _{DD}	Connect to V _{DD} .
V _{AREF} AV _{SS}	Connect to V _{SS} .
AN0 to AN7	Connect to AV _{SS} or AV _{DD} .

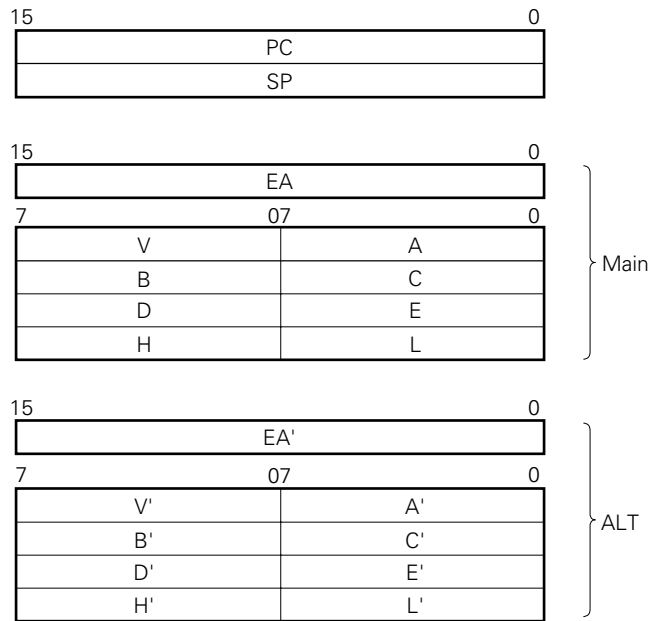
[MEMO]

CHAPTER 3 INTERNAL BLOCK FUNCTIONS

3.1 Registers

The central registers are the sixteen 8-bit registers, four 16-bit registers and special registers shown in Figure 3-1.

Figure 3-1. Register Configuration



(1) Accumulator (A)

Since an accumulator type architecture is used, data processing such as 8-bit arithmetic and logical operation instructions centers on this accumulator.

This accumulator can be replaced with the ALT register paired with the vector register (V) by means of the EXA instruction.

(2) Expansion accumulator (EA)

Data processing such as 16-bit arithmetic and logical operation instructions centers on this accumulator.

This accumulator can be replaced with the ALT register EA' by means of the EXA instruction.

(3) Working register vector register (V)

When a working area is set in the memory space, the high-order 8 bits of the memory address are selected using the V register and the low-order 8 bits are addressed by the immediate data in the instruction. Thus, the memory area specified with the V register can be used as working registers with a 256×8-bit configuration. Because a working register can be specified with a 1-byte address field, program reduction is possible by using the working area for software flags, parameters and counters. The V register can be replaced with the ALT register paired with an accumulator by means of the EXA instruction.

(4) General registers (B, C, D, E, H, L)

There are two sets of general registers (main: B, C, D, E, H, L; ALT: B', C', D', E', H', L'). They function as auxiliary registers for the accumulator, and have a data pointer function as register pairs (BC, DE, HL; B'C', D'E', H'L'). Four register pairs, DE, D'E', HL and H'L' in particular, have a base register function.

When the two sets are used, if an interrupt occurs in one set, the register contents are saved into the other register set without saving them into the memory so that interrupt servicing can be carried out. The other set of registers can also be used as a data pointer expansion registers. Single-step auto-increment/decrement modes and a two-step auto-increment addressing mode are available for the register pairs, DE, HL, D'E' and H'L', so that the processing time can be reduced. BC, DE and HL can be simultaneously replaced with the ALT register by means of the EXX instruction. The HL register can be independently replaced with the ALT register by means of the EXH instruction.

(5) Program counter (PC)

This is a 16-bit register which holds information on the next program address to be executed. This register is normally incremented automatically according to the number of bytes of the instruction to be fetched. When an instruction associated with a branch is executed, immediate data or register contents are loaded. $\overline{\text{RESET}}$ input clears this counter to 0000H.

(6) Stack pointer (SP)

This is a 16-bit register which holds the start address of the memory stack area (LIFO format). SP contents are decremented when a call or PUSH instruction is executed or an interrupt is generated, and incremented when a return or POP instruction is executed.

3.2 Mode Registers

Mode registers are provided (see **Table 3-1**) to control the ports, timers, timer/event counters, serial interface, A/D converter and interrupt control blocks.

Table 3-1. Mode Register Functions

Mode Register Name		Read/ Write	Function
MA	Mode A register	W	Performs bit-wise input/output specification for port A.
MB	Mode B register	W	Performs bit-wise input/output specification for port B.
MCC	Mode control C register	W	Performs bit-wise port/control mode specification for port C.
MC	Mode C register	W	Performs bit-wise input/output specification for port C when in port mode.
MM	Memory mapping register	W	Performs port/expansion mode specification for port D and port F.
MF	Mode F register	W	Performs bit-wise input/output specification for port F when in port mode.
TMM	Timer mode register	R/W	Specifies timer operating mode.
ETMM	Timer/event counter mode register	W	Specifies timer/event counter operating mode.
EOM	Timer/event counter output mode register	R/W	Controls CO0 and CO1 output level.
SML	Serial mode register	W	Specifies serial interface operating mode.
SMH		R/W	
MKL	Interrupt mask register	R/W	Specifies interrupt request enable/disable.
MKH			
ANM	A/D channel mode register	R/W	Specifies A/D converter operating mode.
ZCM	Zero-cross mode register	W	Specifies zero-cross detector operation.

3.3 Arithmetic Logical Unit (ALU)

The ALU executes data processing such as 8-bit arithmetic and logical operations, shift and rotation, data processing such as 16-bit arithmetic and logical operations and shift operations, 8-bit multiplication and 16-bit by 8-bit division.

3.4 Program Status Word (PSW)

This word consists of 6 types of flags which are set/reset according to instruction execution results. Three of these flags (Z, HC and CY) can be tested by an instruction. PSW contents are automatically saved to the stack when an interrupt (external, internal or SOFTI instruction) is generated, and restored by the RETI instruction. RESET input resets all bits to (0).

Figure 3-2. PSW Configuration

7	6	5	4	3	2	1	0
0	Z	SK	HC	L1	L0	0	CY

(1) Z (Zero)

When the operation result is zero, this flag is set (1). In all other cases, it is reset (0).

(2) SK (Skip)

When the skip condition is satisfied, this flag is set (1). If the condition is not satisfied, it is reset (0).

(3) HC (Half carry)

If an operation generates a carry out of bit 3 or a borrow into bit 3, this flag is set (1). In all other cases, it is reset (0).

(4) L1

When MVI A, byte instructions are stacked, this flag is set (1). In all other cases, it is reset (0).

(5) L0

When MVI L, byte ; LXI H, word instructions are stacked, this flag is set (1). In all other cases, it is reset (0).

(6) CY (Carry)

When an operation generates a carry out of or a borrow into bit 7 or 15, this flag is set (1). In all other cases, it is reset (0).

When one of 35 types of ALU instructions, a rotation instruction or a carry manipulation instruction is executed, various flags are affected as shown in Table 3-2.

Table 3-2. Flag Operations

Operation						D6	D5	D4	D3	D2	D0
reg, memory		immediate			skip	Z	SK	HC	L1	L0	CY
ADD	ADDW	ADDX	ADI			↑	0	↑	0	0	↑
ADC	ADCW	ADCX	ACI								
SUB	SUBW	SUBX	SUI								
SBB	SBBW	SBBX	SBI								
DADD											
DADC											
DSUB											
DSBB											
EADD											
ESUB											
ANA	ANAW	ANAX	ANI	ANIW		↑	0	●	0	0	●
ORA	ORAW	ORAX	ORI	ORIW							
XRA	XRAW	XRAX	XRI								
DAN											
DOR											
DXR											
ADDNC	ADDNCW	ADDNCX	ADINC			↑	↑	↑	0	0	↑
SUBNB	SUBNBW	SUBNBX	SUINB								
GTA	GTAW	GTAX	GTI	GTIW							
LTA	LTAW	LTAX	LTI	LTIW							
DADDNC											
DSUBNB											
DGT											
DLT											
ONA	ONAW	ONAX	ONI	ONIW		↑	↑	●	0	0	●
OFFA	OFFAW	OFFAX	OFFI	OFFIW							
DON											
DOFF											
NEA	NEAW	NEAX	NEI	NEIW		↑	↑	↑	0	0	↑
EQA	EQAW	EQAX	EQI	EQIW							
DNE											
DEQ											
INR	INRW					↑	↑	↑	0	0	●
DCR	DCRW										
DAA						↑	0	↑	0	0	↑
RLR RLL SLR SLL						●	0	●	0	0	↑
DRLR DRLL DSLR DSLL											
SLRC SLLC						●	↑	●	0	0	↑
STC						●	0	●	0	0	1
CLC						●	0	●	0	0	0
			MVI A, byte			●	0	●	1	0	●
			MVI L, byte LXI H, word			●	0	●	0	1	●
				BIT SK SKN SKIT SKNIT		●	↑	●	0	0	●
				RETS		●	1	●	0	0	●
All other instructions						●	0	●	0	0	●

↑ ... Affected (set or reset) 1 ... Set 0 ... Reset ● ... Not affected

3.5 Memory

3.5.1 μ PD78C18/78C17/78C14/78C14A/78C12A/78C11A/78C10A memory configuration

The μ PD78C18/78C17/78C14/78C14A/78C12A/78C11A/78C10A can address a maximum of 64K bytes of memory. The memory maps are shown in Figures 3-3 to 3-8. The external memory area and the on-chip RAM area can be freely used as program memory and data memory. Since the access time for on-chip memory and external memory are the same, processing can be executed at high speeds.

(1) Interrupt start addresses

The interrupt start addresses are all fixed as follows:

$\overline{\text{NMI}}$	0004H
INTT0/INTT1	0008H
INT1/ $\overline{\text{INT2}}$	0010H
INTE0/INTE1	0018H
INTEIN/INTAD	0020H
INTSR/INTST	0028H
SOFTI	0060H

(2) Call address table

The call address of a 1-byte call instruction (CALT) can be stored in the 64-byte area (for 32 call addresses) from address 0080H to address 00BFH.

(3) Specific memory area

The reset start address, interrupt start addresses and the call table are allocated to addresses 0000H to 00BFH, and this area takes account of these in use. Addresses 0800H to 0FFFH are directly addressable by a 2-byte call instruction (CALF).

On-chip mask ROM allocation is shown below.

- μ PD78C18 : Addresses 0000H to 7FFFH
- μ PD78C17 : No mask ROM incorporated
- μ PD78C14/78C14A : Addresses 0000H to 3FFFH
- μ PD78C12A : Addresses 0000H to 1FFFH
- μ PD78C11A : Addresses 0000H to 0FFFH
- μ PD78C10A : No mask ROM incorporated

With the μ PD78C17/78C10A, a specific area can be set up externally.

(4) On-chip data memory area

1K byte RAM is incorporated in addresses FC00H to FFFFH in the μ PD78C18, and 256-byte RAM in addresses FF00H to FFFFH in the μ PD78C14A/78C12A/78C11A/78C10A. The RAM contents are retained in standby operation

Caution When internal RAM is used, the RAE bit of the MM register must be set to 1.

(5) External memory area

The possible area for external memory expansion is shown below. This area can be expanded in steps by setting the memory mapping register.

- μ PD78C18 : 31K bytes (addresses 8000H to FBFFH)
- μ PD78C14, 78C14A : 48K bytes (addresses 4000H to FEFFH)
- μ PD78C12A : 56K bytes (addresses 2000H to FEFFH)
- μ PD78C11A : 60K bytes (addresses 1000H to FEFFH)

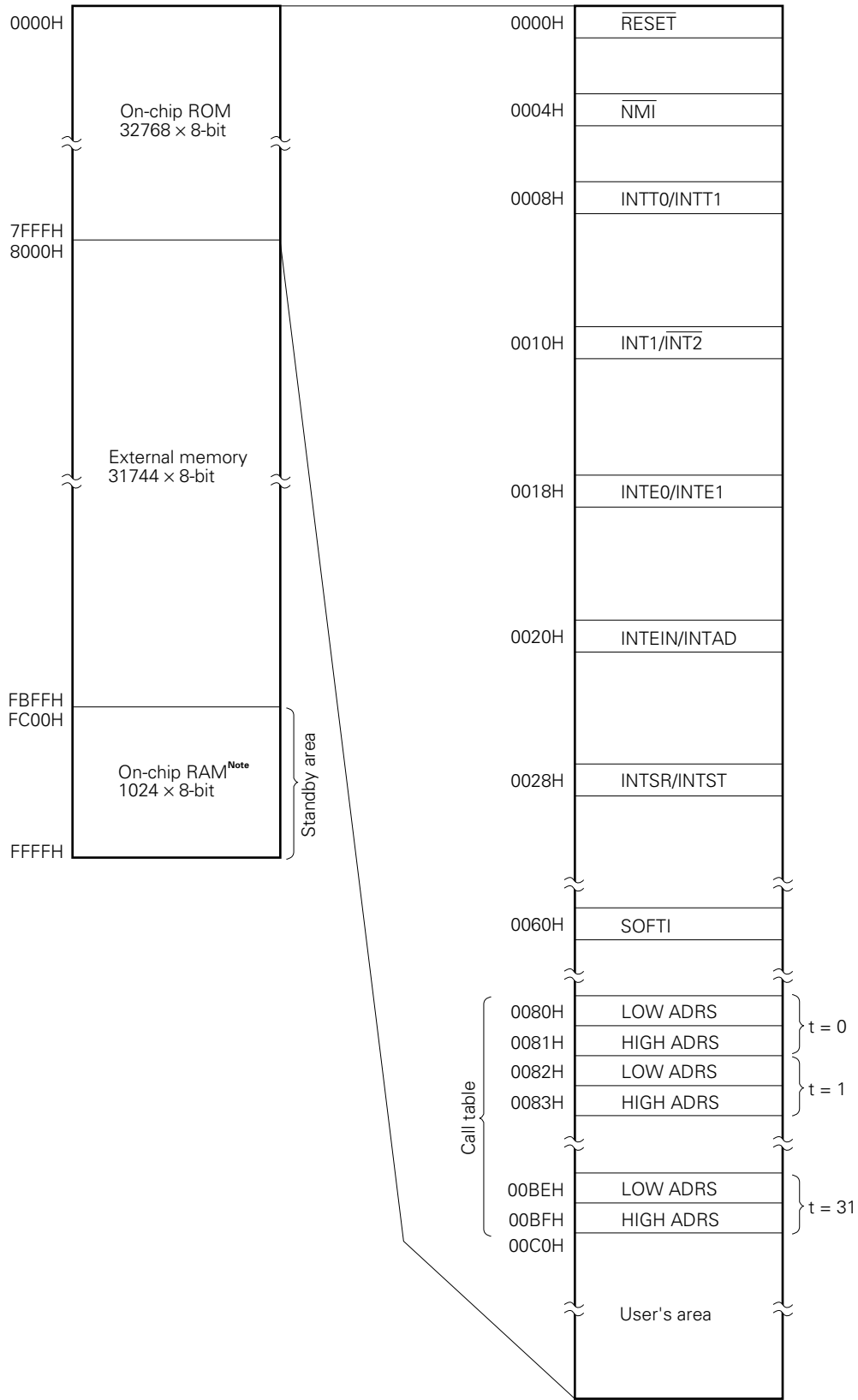
External memory can be expanded in steps in a 63K-byte area (addresses 0000H to FBFFH) for the μ PD78C17, and in a 64K-byte area (addresses 0000H to FEFFH) for the μ PD78C10A. This setting is performed by the MODE0 and MODE1.

The external memory is accessed using PD7 to PD0 (multiplexed address/data bus), PF7 to PF0 (address bus) and the \overline{RD} , \overline{WR} and ALE signals. Both programs and data can be stored in the external memory.

(6) Working register area

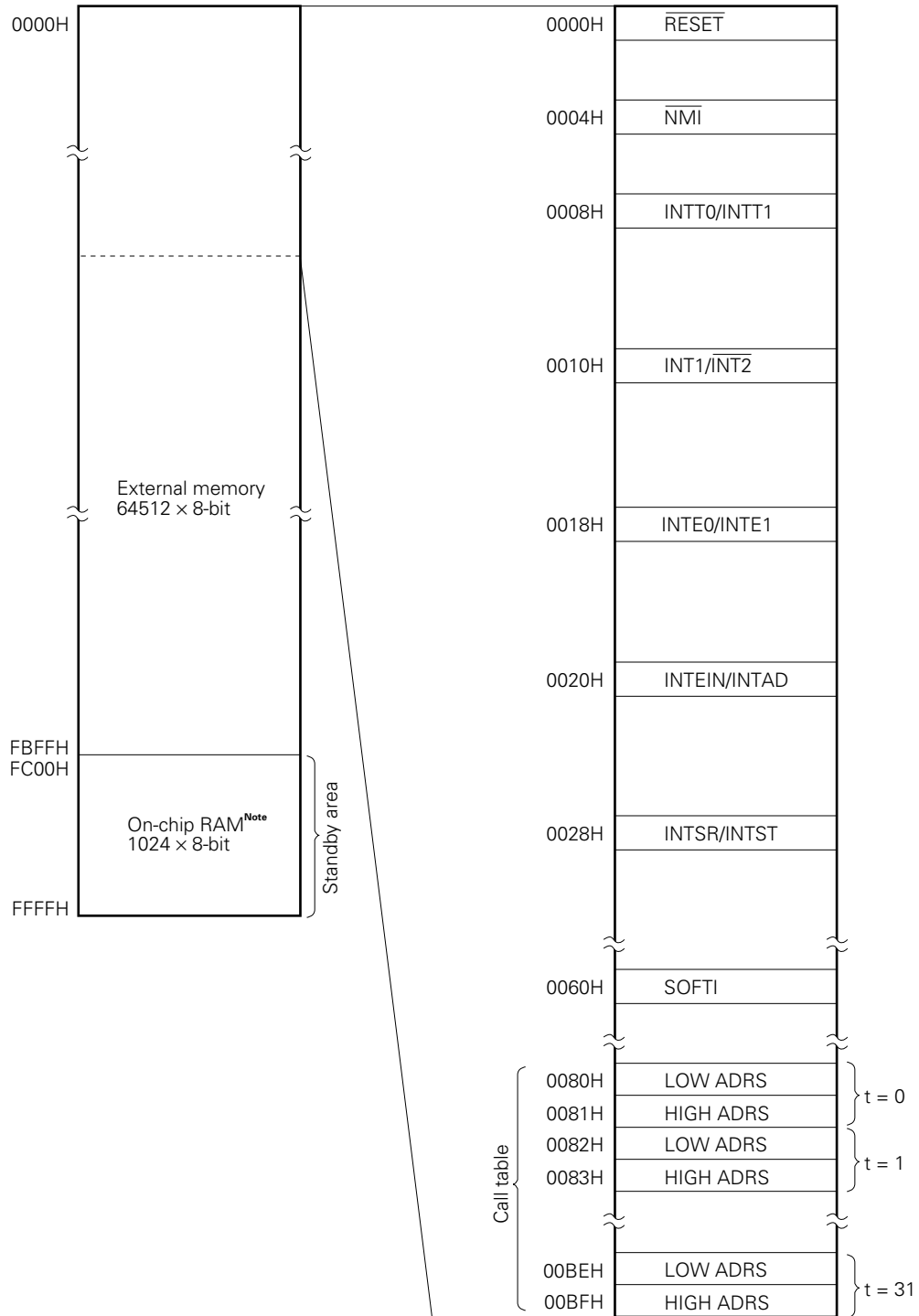
A 256-byte working register area can be set in any memory locations (specified by the V register).

Figure 3-3. Memory Map (μ PD78C18)



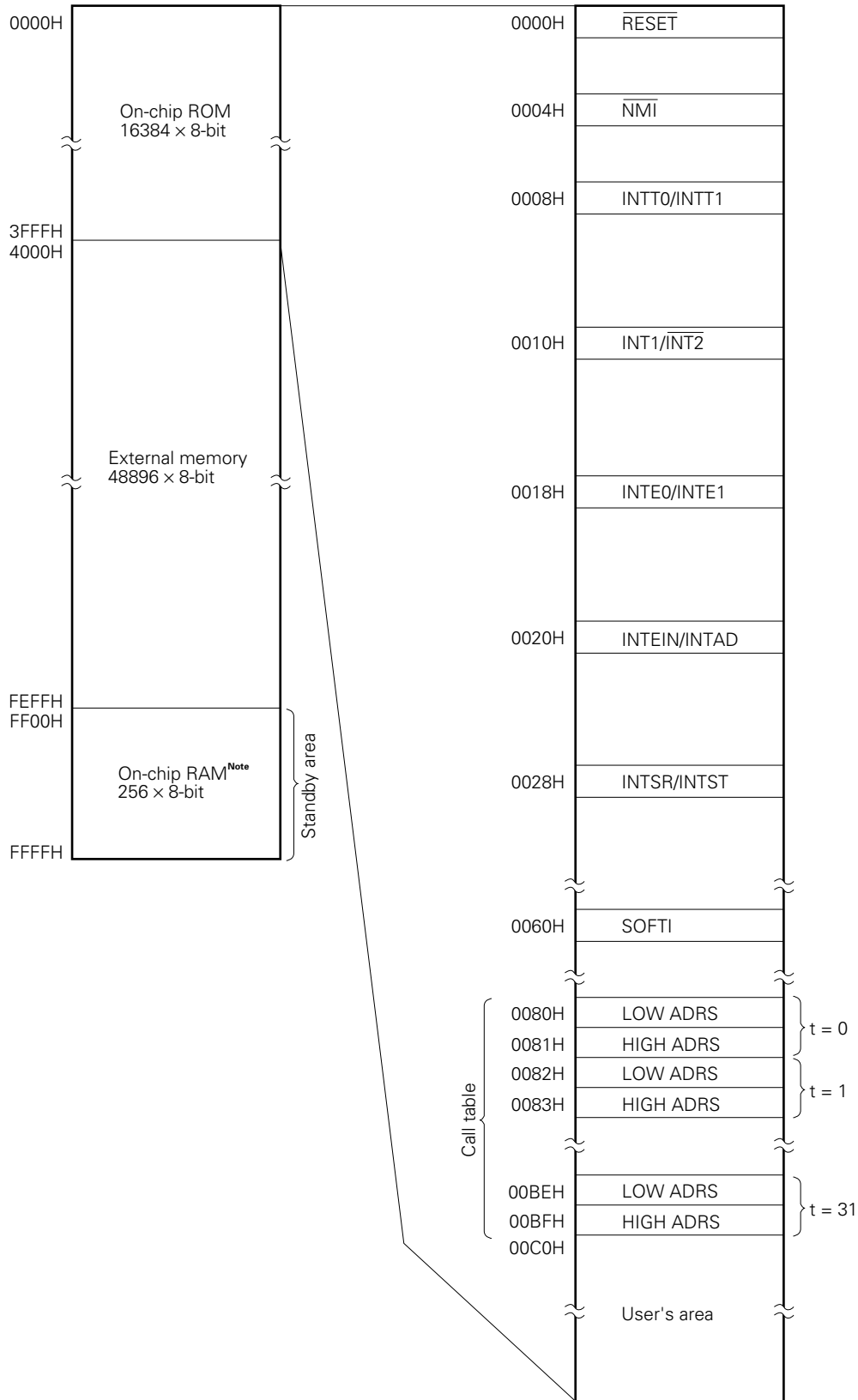
Note Can only be used when the RAE bit of the MM register is 1.

Figure 3-4. Memory Map (μ PD78C17)



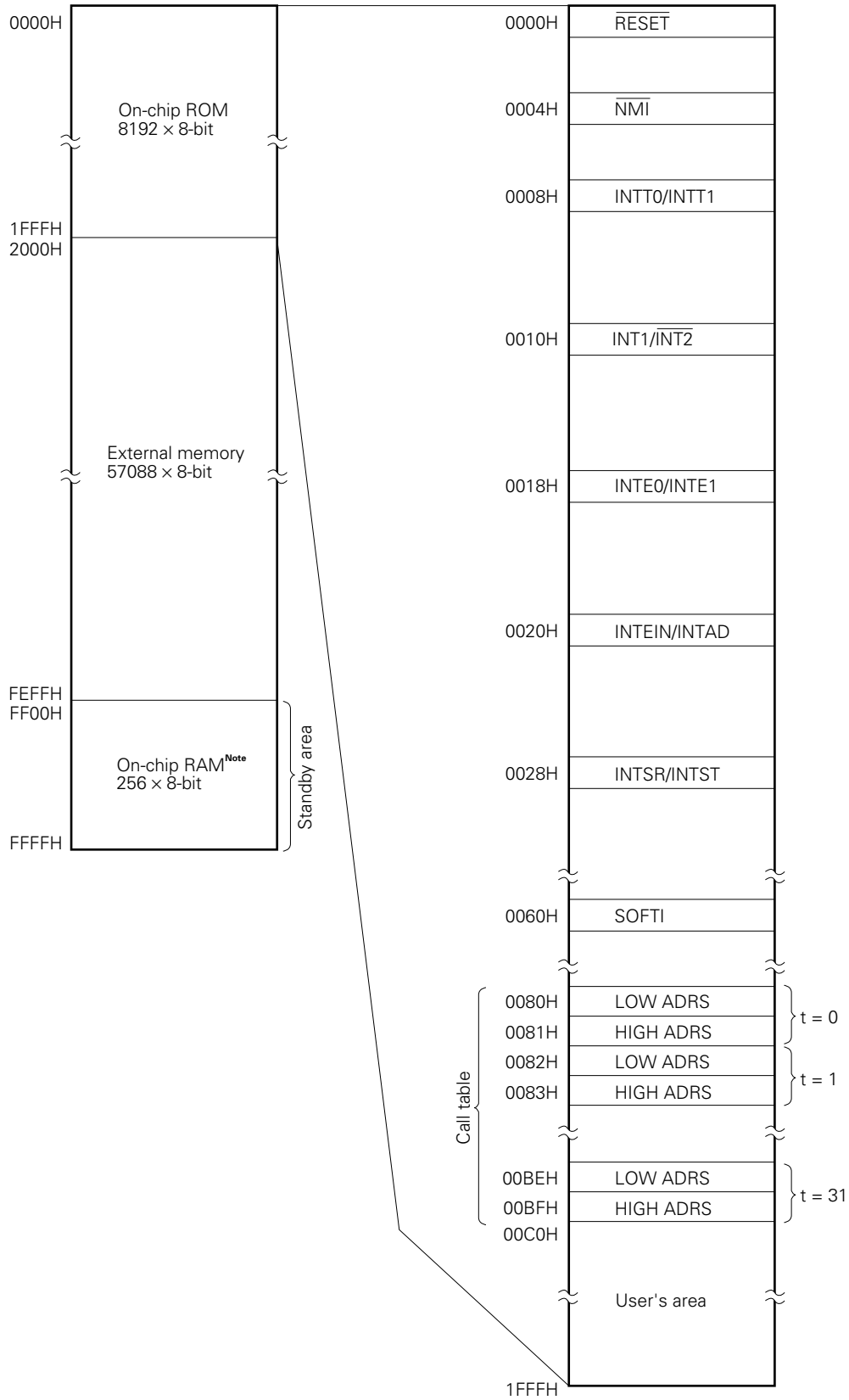
Note Can only be used when the RAE bit of the MM register is 1.

Figure 3-5. Memory Map (μ PD78C14/78C14A)



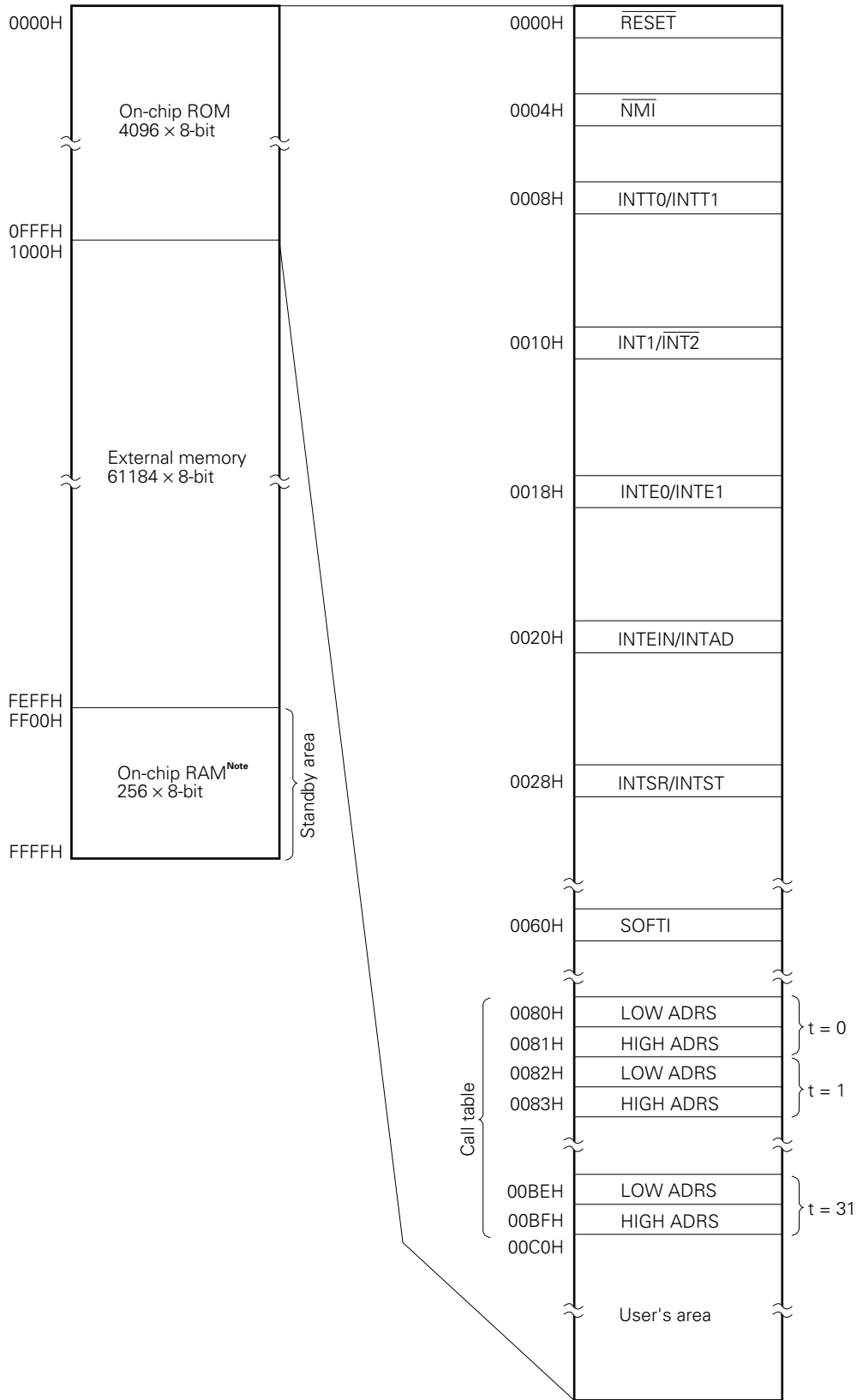
Note Can only be used when the RAE bit of the MM register is 1.

Figure 3-6. Memory Map (μ PD78C12A)



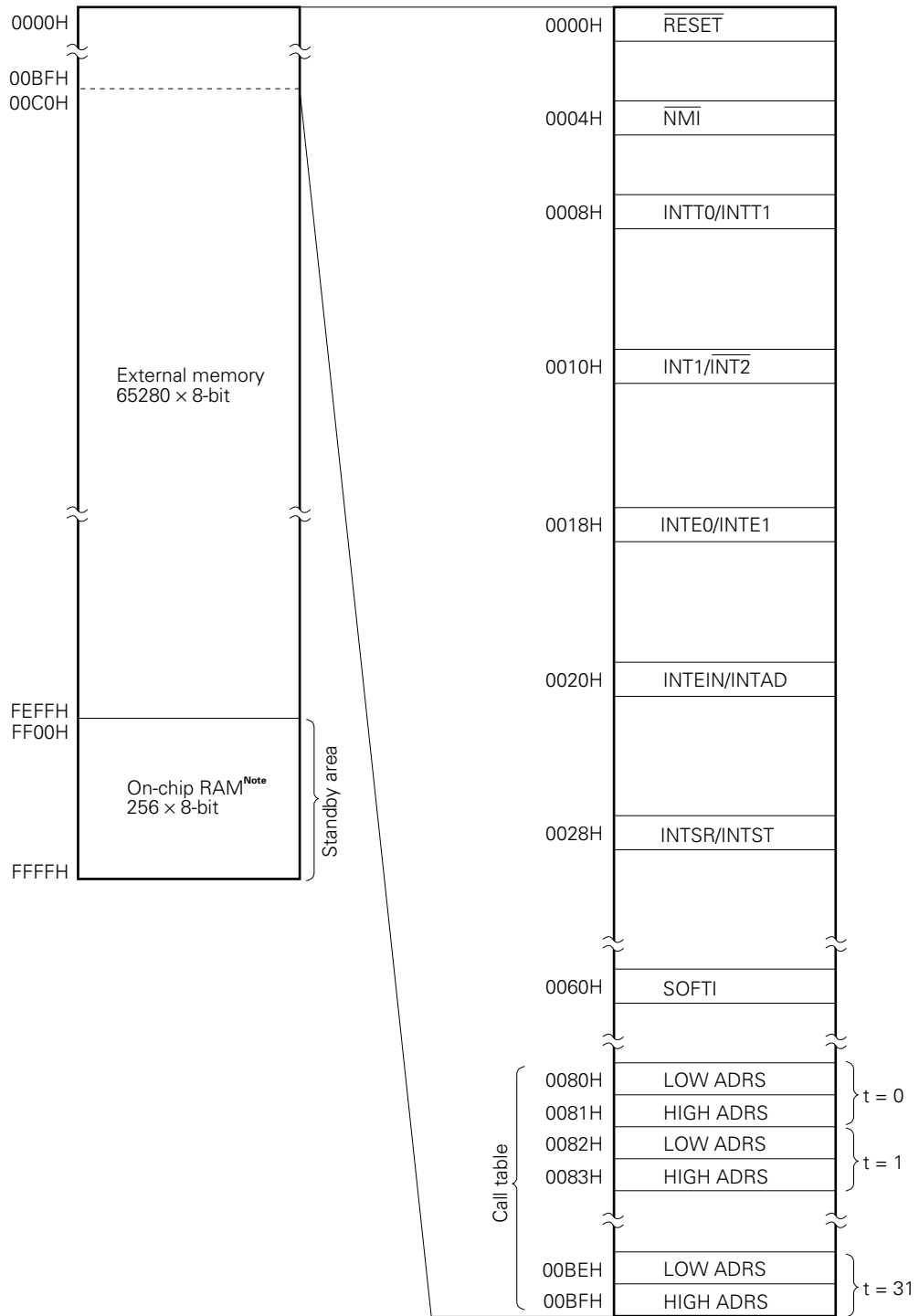
Note Can only be used when the RAE bit of the MM register is 1.

Figure 3-7. Memory Map (μ PD78C11A)



Note Can only be used when the RAE bit of the MM register is 1.

Figure 3-8. Memory Map (μ PD78C10A)



Note Can only be used when the RAE bit of the MM register is 1.

3.5.2 μ PD78CP18/78CP14 memory configuration

The μ PD78CP18 can operate in any of 4 modes and the μ PD78CP14 in any of 3 modes according to the MM register mode specification.

- μ PD78C18 mode **Note**
- μ PD78C14 mode
- μ PD78C12A mode
- μ PD78C11A mode

Note Only the μ PD78CP18 can operate in this mode.

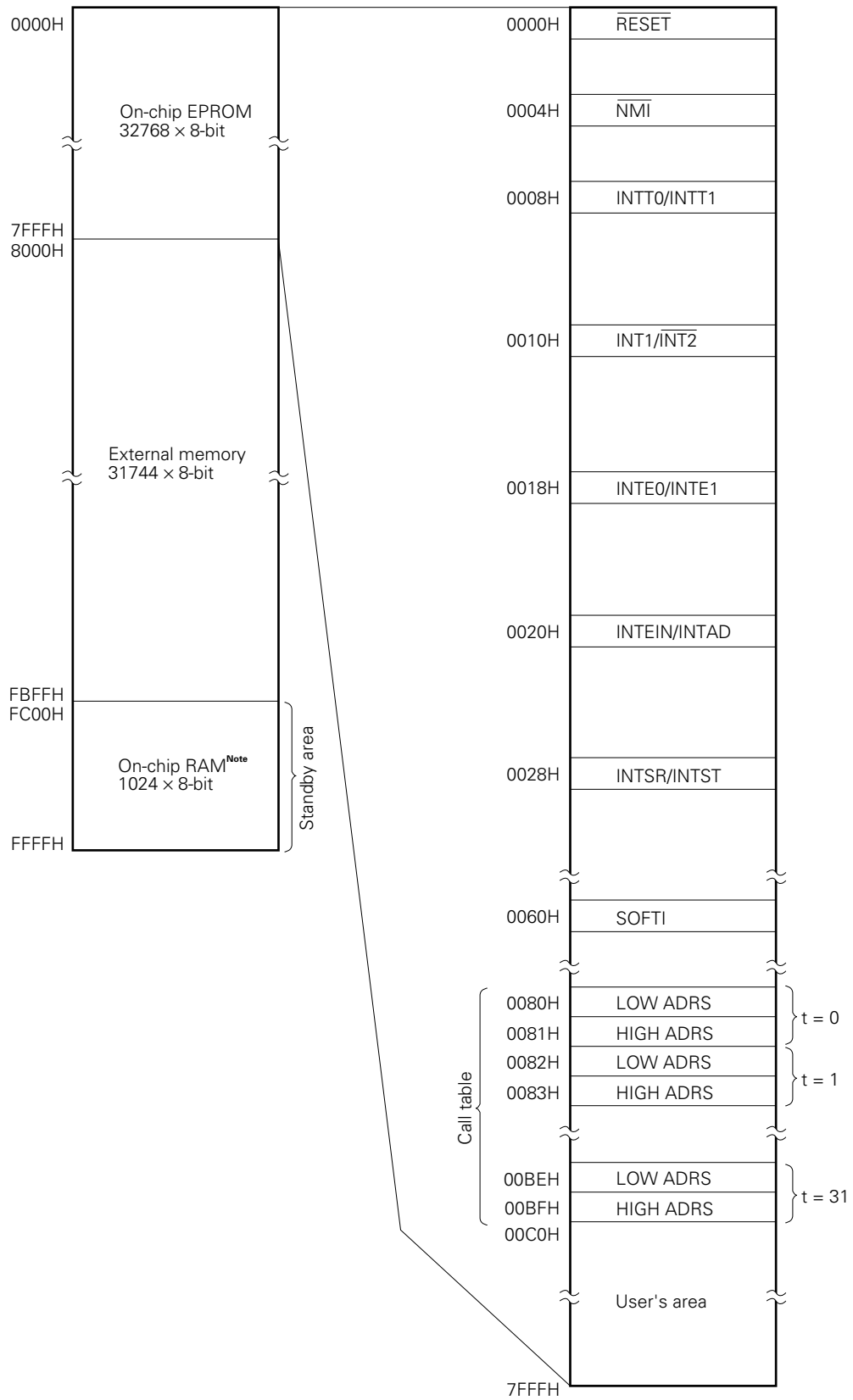
In addition, the on-chip ROM address range can be specified to allow efficient mapping of external memory (excluding PROM).

The vector area and call table area are the same in all modes.

Setting the hardware/software STOP mode or HALT mode allows on-chip RAM data to be retained with a low consumption current.

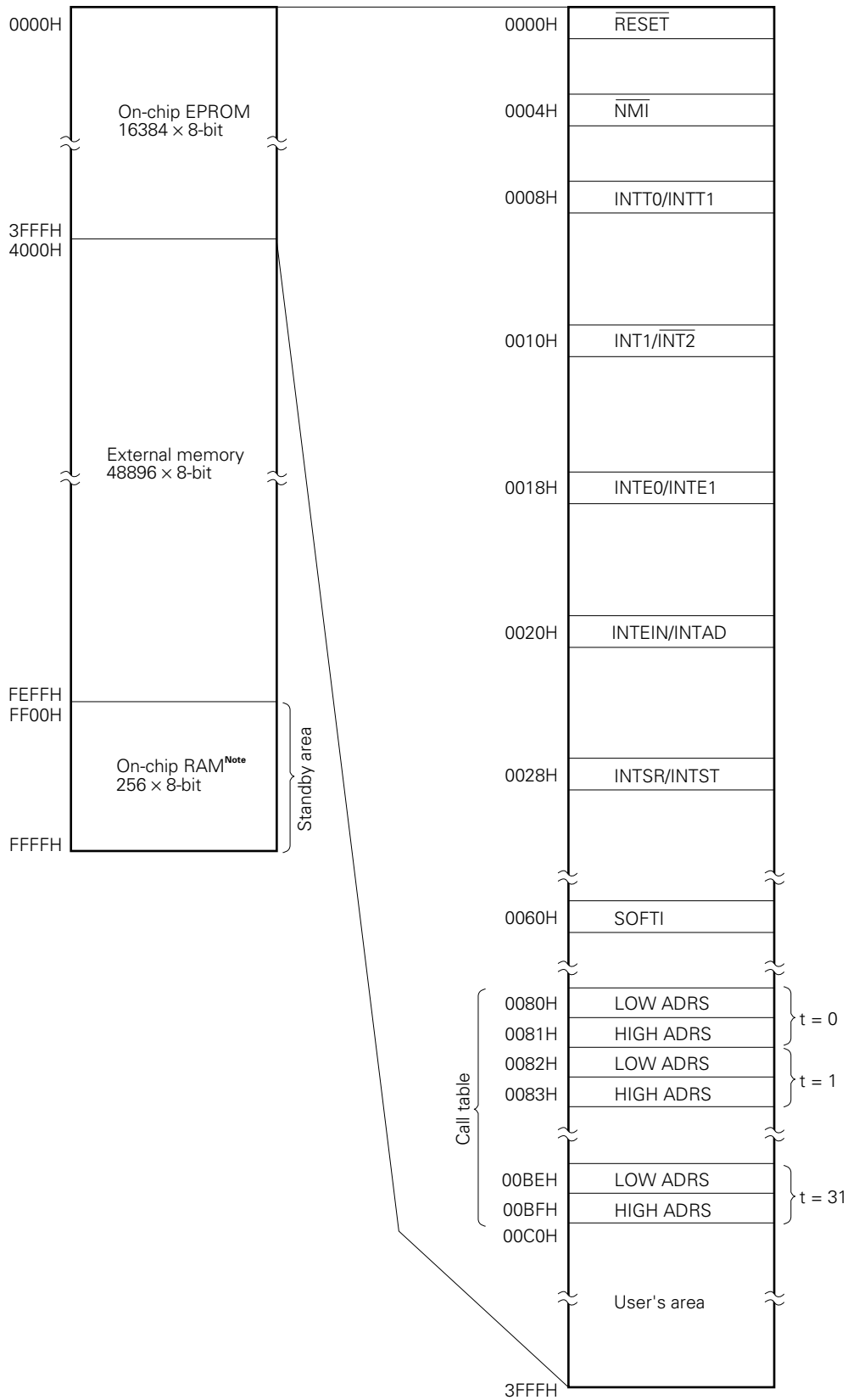
The memory map for each mode is shown in Figures 3-9 to 3-12.

Figure 3-9. Memory Map (μ PD78C18 Mode)



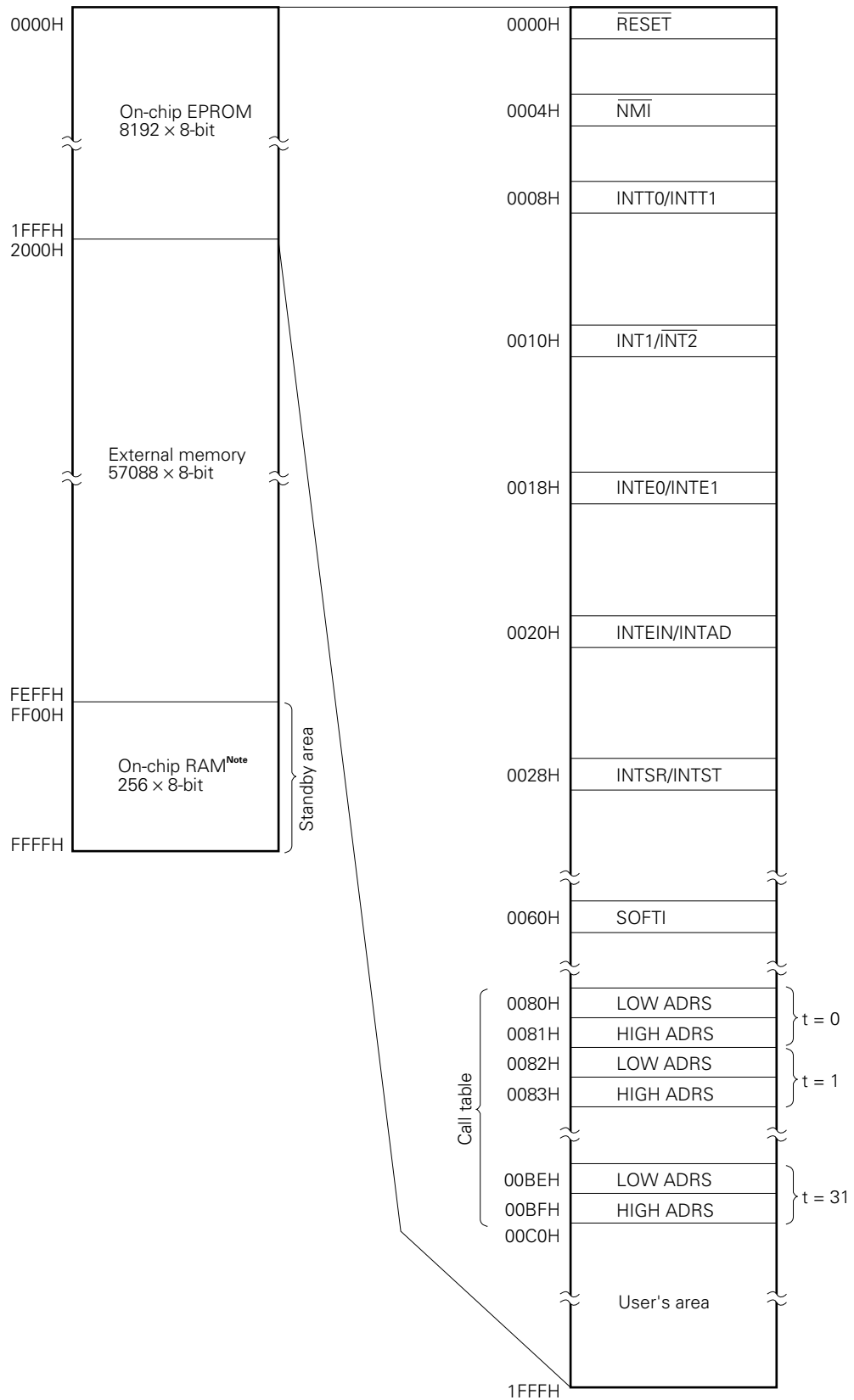
Note Can only be used when the RAE bit of the MM register is 1.

Figure 3-10. Memory Map (μ PD78C14 Mode)



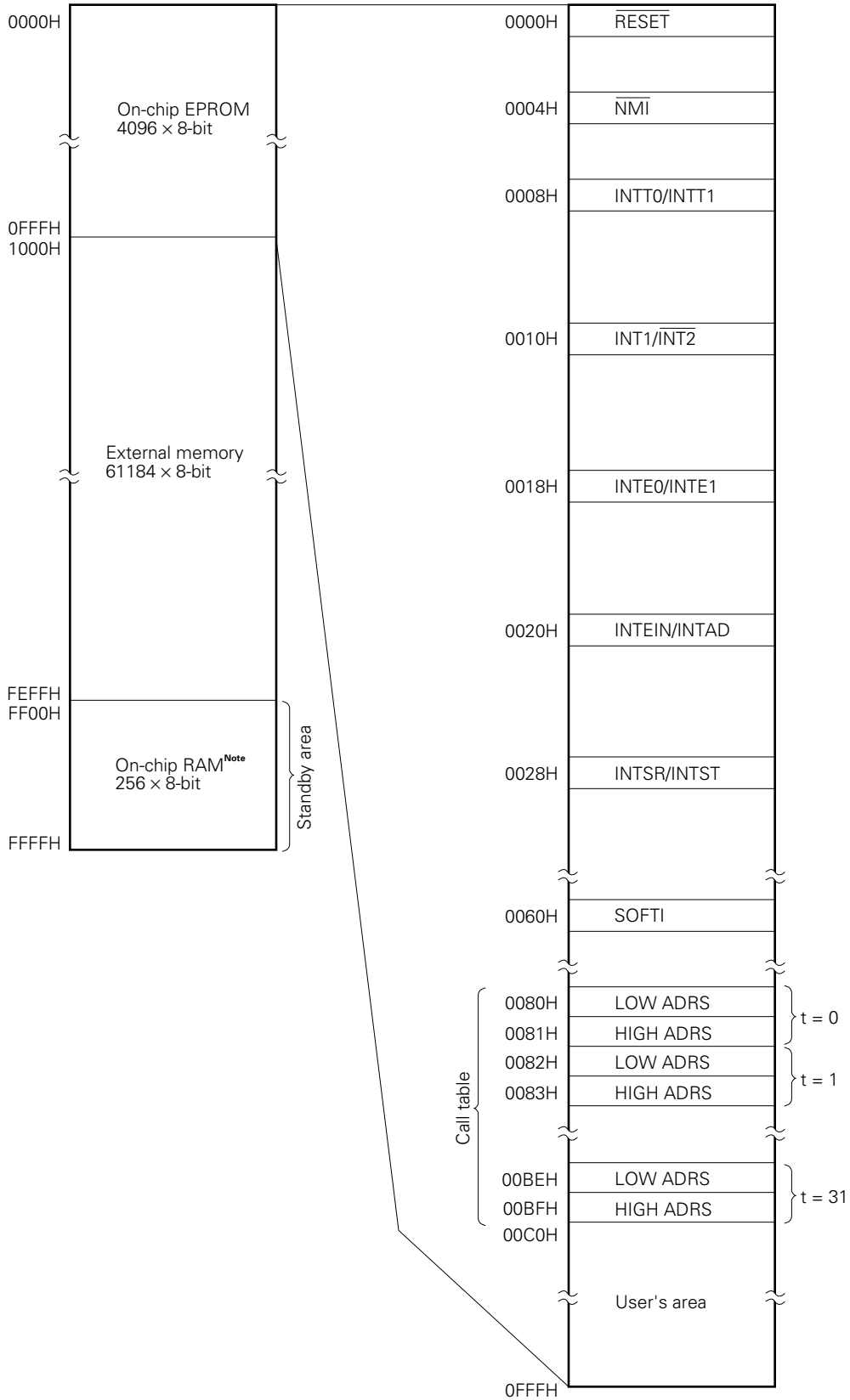
Note Can only be used when the RAE bit of the MM register is 1.

Figure 3-11. Memory Map (μ PD78C12A Mode)



Note Can only be used when the RAE bit of the MM register is 1.

Figure 3-12. Memory Map (μ PD78C11A Mode)



Note Can only be used when the RAE bit of the MM register is 1.

3.6 Timers

The timer system comprises two 8-bit interval timers. The two interval timers can also be cascaded to operate as a 16-bit interval timer

The elapse of the interval time can be identified by the generation of a timer interrupt. In addition, a square wave with the interval time as a half-cycle is obtained from the TO pin (see **CHAPTER 5 TIMER FUNCTIONS** for details).

3.7 Timer/Event Counter

This is a 16-bit timer/event counter which performs the following operations according to the operating mode set by the program (see **CHAPTER 6 TIMER/EVENT COUNTER FUNCTIONS** for details).

- Interval timer function
- Event counter function
- Frequency measurement
- Pulse width measurement
- Programmable square-wave output

3.8 Serial Interface

This interface is used to perform serial data transfers in a multi-processor configuration or with various terminals, and operates in asynchronous mode, synchronous mode, and I/O interface mode (see **CHAPTER 7 SERIAL INTERFACE FUNCTIONS** for details).

3.9 Analog/Digital Converter

This consists of an 8-bit A/D converter with 8 analog inputs which uses the high-precision successive approximation method, and 4 conversion result registers (CR0 to CR3) which hold the conversion results.

With two analog input selection methods, scan mode and select mode, and 4 registers (CR0 to CR3) to hold the conversion results, software overhead is minimized (see **CHAPTER 8 ANALOG/DIGITAL CONVERTER FUNCTIONS** for details).

3.10 Interrupt Control

There are 3 kinds of external interrupt request and 8 kinds of internal interrupt request, controlled according to the status and priority of the interrupt mask register.

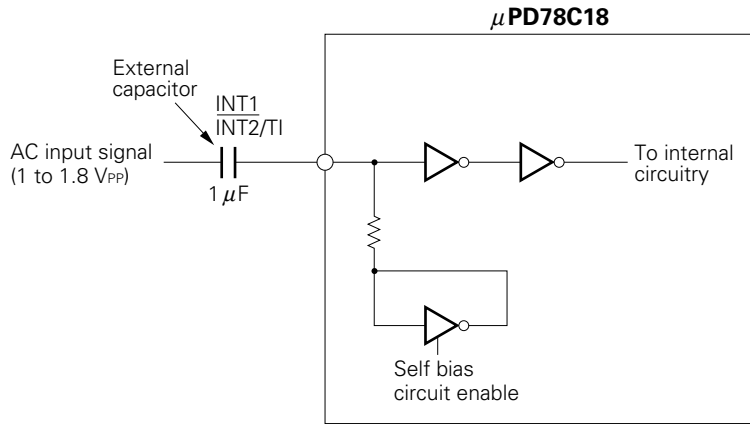
The 11 kinds of interrupt requests are divided into 6 groups, with 6 different priorities and 6 different interrupt addresses (see **CHAPTER 9 INTERRUPT CONTROL FUNCTIONS** for details).

3.11 Zero-Cross Detector

The INT1 pin and $\overline{\text{INT2/TI}}$ (PC3 dual-function) pin can be made to execute zero-cross detection operations by setting the zero-cross mode register.

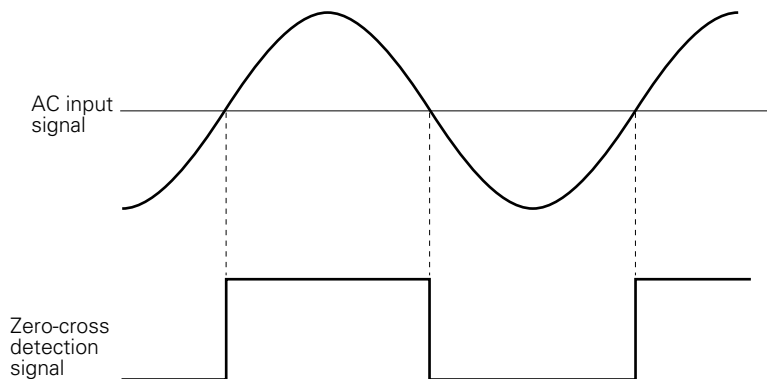
The zero-cross detector has a self-bias type high-gain amplifier. It biases the input to the switching point and generates digital displacement in response to a small input displacement.

Figure 3-13. Zero-Cross Detector



The zero-cross detector detects a negative-to-positive or positive-to-negative transition of the AC signal input through an external capacitor and generates a digital pulse which changes from 0 to 1 or 1 to 0 at each transition point.

Figure 3-14. Zero-Cross Detection Signal



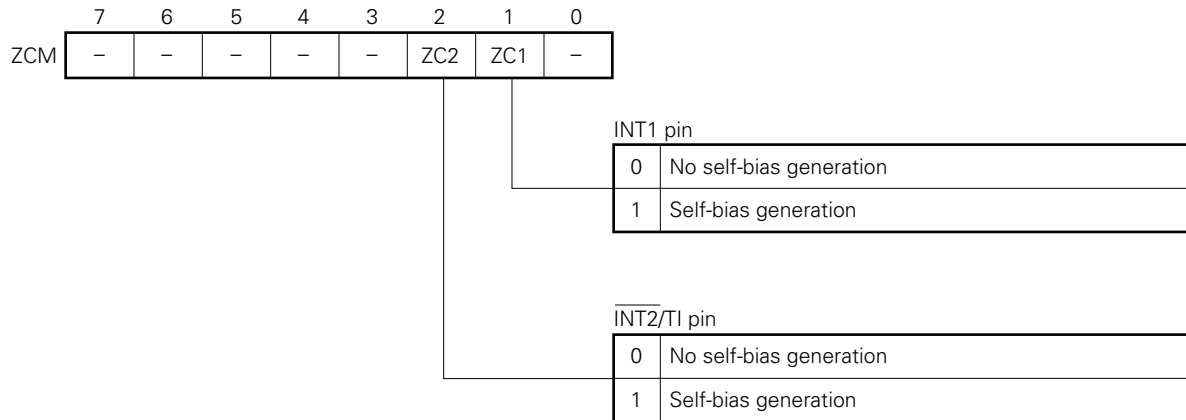
A digital pulse generated in the zero-cross detector of the INT1 pin is set to the interrupt control circuit. The INTF1 interrupt request flag is set at the zero-cross point from negative to positive of the AC signal (rising edge), and if INT1 interrupt is enabled, interrupt servicing is started. A digital pulse generated in the $\overline{\text{INT2/TI}}$ pin zero-cross detector is sent to the interrupt control circuit and interrupt servicing can be started at the zero-cross point from positive to negative of the AC signal as with the INT1 pin, and can also be used as a timer input clock.

The zero-cross detection function can use the 50/60 Hz power signal as the basis for system timing. Further, a special characteristic of the zero-cross function is that it can be used for servicing of interrupts at the zero-voltage point. This makes it possible to control a device which uses voltage phase sensing such as a TRIAC or SCR, and allows the μ PD78C18 to be used for applications such as shaft speed and angle measurement.

When a capacitor is not connected to the INT1 and $\overline{\text{INT2}}$ pins, they function as digital input pins.

The format of the zero-cross mode register (ZCM), which controls self-bias for zero-cross detection of the INT1 and $\overline{\text{INT2}}$ /TI pins, is shown in Figure 3-15.

Figure 3-15. Zero-Cross Mode Register Format



When the ZC1 and ZC2 bits of the zero-cross mode register are set to "0", a self-bias for zero-cross detection of each pin is not generated and each pin responds as a normal digital input.

When the ZC1 and ZC2 bits are set to "1", a self-bias is generated and an AC input signal zero-cross can be detected by connecting a capacitor to each pin. Each pin with ZC1 and ZC2 bits set to "1" can be directly driven without the use of an external capacitor. In this case, each pin responds as a digital input. However, an input load current is necessary and an external circuit output driver must be considered. Thus, when no zero-cross detection is executed and each pin is used simply as an interrupt input or timer input, the ZC1 and ZC2 bits of the zero-cross mode register should be set to "0".

$\overline{\text{RESET}}$ input sets both the ZC1 and ZC2 bit to "1" and a self-bias is generated.

When the PC3 ($\overline{\text{INT2}}$ /TI) pins is in port mode, no self-bias is generated regardless of the ZCM register setting.

Cautions 1. Unlike other CMOS circuits, a supply current is always present in the zero-cross detector because of its operation points. This also applies in the standby modes (HALT and software/hardware STOP modes). Thus, when the zero-cross detector is operated (with self-bias generation: ZCx=1), slightly more current flows than without zero-cross detector operation, and its effect is greater in the software STOP mode.

2. When the PC3 pin is used for zero-cross detection in the μ PD78C18/78C14A/78C12A/78C11A, no pull-up resistor should be incorporated.

In the hardware STOP mode, self-bias generation is stopped automatically.

[MEMO]

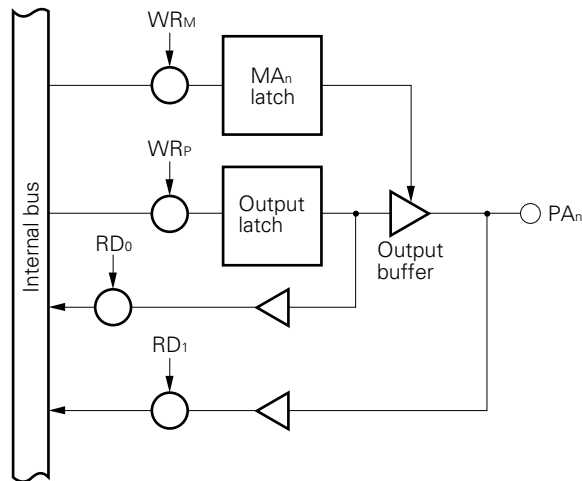
CHAPTER 4 PORT FUNCTIONS

4.1 Port A (PA7 to PA0)

This is an 8-bit input/output port which has input/output buffer and output latch functions (see **Figure 4-1**). Port A can be set as to input or output bit-wise using the mode A register (MA). When set to input, the pins become high-impedance.

In the μ PD78C18/78C14A/78C12A/78C11A, pull-up resistors can be incorporated bit-wise.

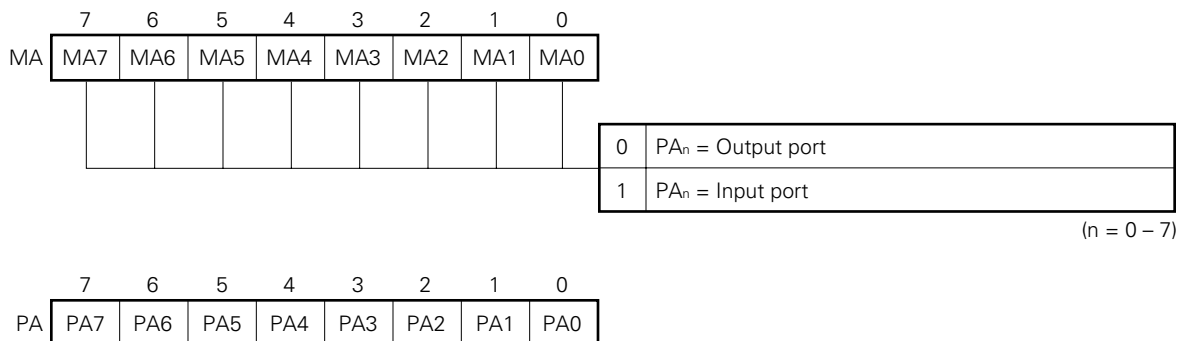
Figure 4-1. Port A



When the corresponding bit of the mode A register is set (1), a port A pin functions as an input port pin, and when reset (0), as an output port pin (see **Figure 4-2**).

When $\overline{\text{RESET}}$ is input or the hardware STOP mode is set, all bits of the mode A register are set and port A functions as an input port (high-impedance).

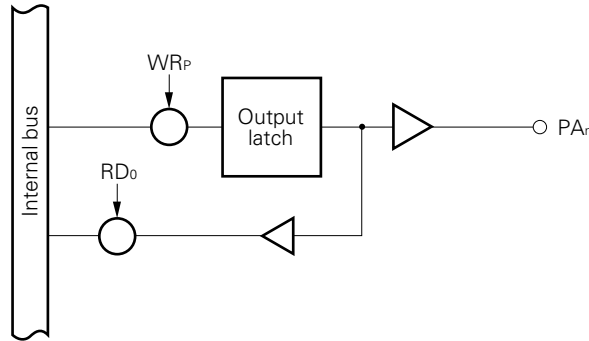
Figure 4-2. Mode A Register Format



(1) When specified as output port (MAN=0)

The output latch is effective, enabling data exchange by a transfer instruction between the output latch and the accumulator. Direct bit setting/resetting of output latch contents is possible by an arithmetic or logical operation instruction without the use of an accumulator. Once data is written to the output latch, the data is held until a port A manipulation instruction is executed or the data is reset.

Figure 4-3. Port A Specified as Output Port

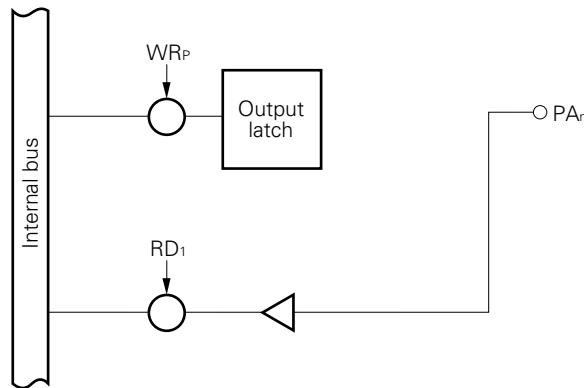


(2) When specified as input port (MAN=1)

PA line contents can be loaded into an accumulator by a transfer instruction. They can also be directly tested bit-wise by an arithmetic or logical operation instruction without the use of an accumulator. In this case, too, writing to the output latch is possible and data transferred from the accumulator by a transfer instruction is stored in the entire output latch without regard to the input/output setting of the port. However, the output latch contents for bits specified as input port bits cannot be loaded into the accumulator, and since the output buffer is high-impedance, the contents are not output to an external pin (operating as an input pin). Thus data stored in the output latch can be output to the external pin and loaded into the accumulator when the bit is switched to output port mode.

Since input data is not latched, stable input is necessary when executing a data transfer instruction or a bit test, etc.

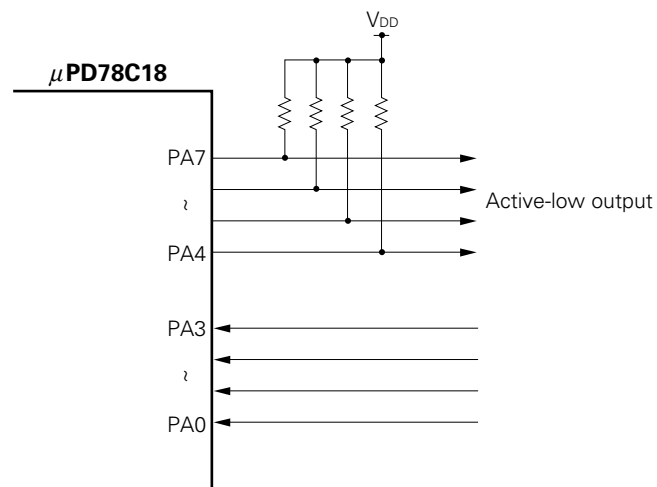
Figure 4-4. Port A Specified as Input Port

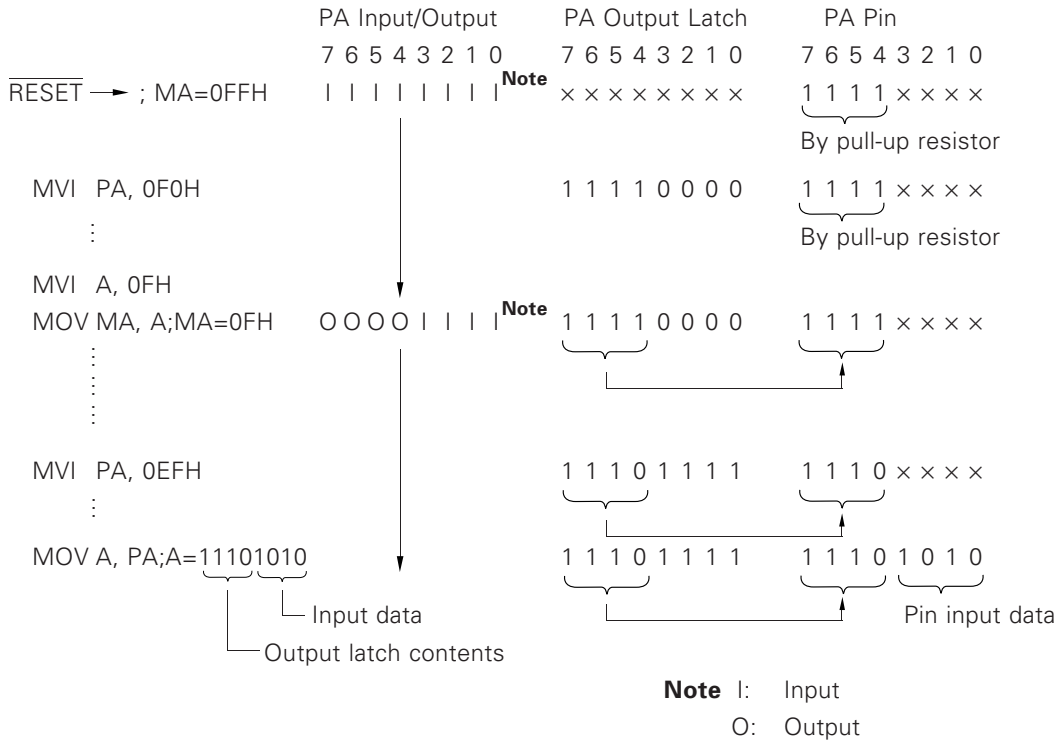


(3) Port A manipulation

Actual execution of an instruction which manipulates port A is performed as an 8-bit unit. If a port A read instruction (MOV A, PA) is executed, the input line contents of the port specified for input and the output latch contents of the port specified for output are loaded into an accumulator. When a port A write instruction (MOV PA, A) is executed, data is written to the output latch of both ports specified for input and output, but the output latch contents of a port specified as input are not output to an external pin.

Here, the data input/output manipulation is described when the high-order 4 bits (PA7 to PA4) of port A are used as an active-low output port, and the low-order 4 bits (PA3 to PA0) are used as an input port. Since the initial status of PA7 to PA0 after a reset is the input port status (high-impedance), the PA7 to PA4 output port pins used as active-low have to be raised to the high level with a pull-up resistor to make them inactive. Also, since the output latch contents are undefined after a reset, the active level (low) may be output at the point of specification as an output port. Therefore, all ones should be written to the PA7 to PA4 output latches before specification as an output port.





4.2 Port B (PB7 to PB0)

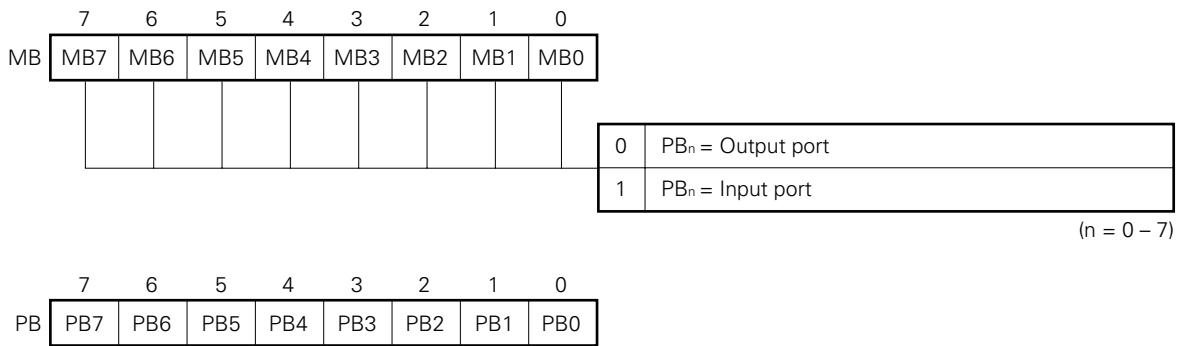
Like port A, port B is an 8-bit input/output port with input/output buffer and output latch functions (see **Figure 4-1**). Port B can be set as an input or output port bit wise using the mode B register (MB). When set to input, the pins become high-impedance.

When the corresponding bit of the mode B register is set (1), a port B pin functions as an input port pin, and when reset (0), as an output port pin (see **Figure 4-5**).

When RESET is input or the hardware STOP mode is set all bits of the mode B register are set and port B functions as an input port (high-impedance).

In the μ PD78C18/78C14A/78C12A/78C11A, pull-up resistors can be incorporated bit-wise.

Figure 4-5. Mode B Register Format



As with port A, direct bit setting/resetting of port B output latch contents is possible by an arithmetic or logical operation instruction without the use of an accumulator. Data transfer to/from an accumulator is also possible.

4.3 Port C (PC7 to PC0)

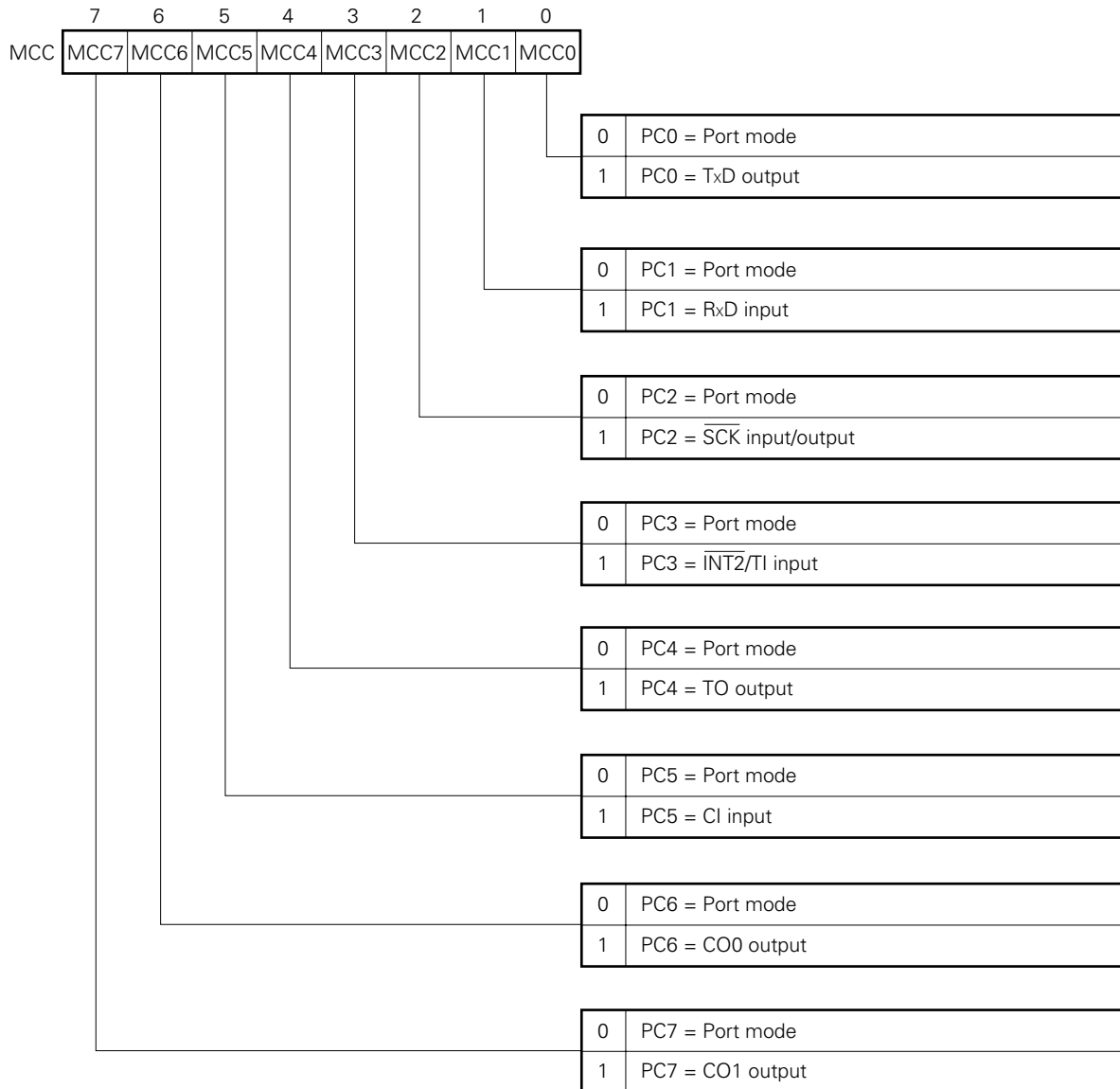
Port C (PC7 to PC0) is an 8-bit special input/output port which functions in either port mode or control signal input/output mode according to the setting of the mode control C (MCC) register.

When the corresponding bit of mode control C register is set (1), the port C is set to control mode, and if reset (0), set to port mode (see **Figure 4-6**).

When $\overline{\text{RESET}}$ is input or the hardware STOP mode is set, all bits of the mode control C register are reset and all bits of port C are set to port mode.

In the $\mu\text{PD78C18/78C14A/78C12A/78C11A}$, pull-up resistors can be incorporated bit-wise.

Figure 4-6. Mode Control C Register Format

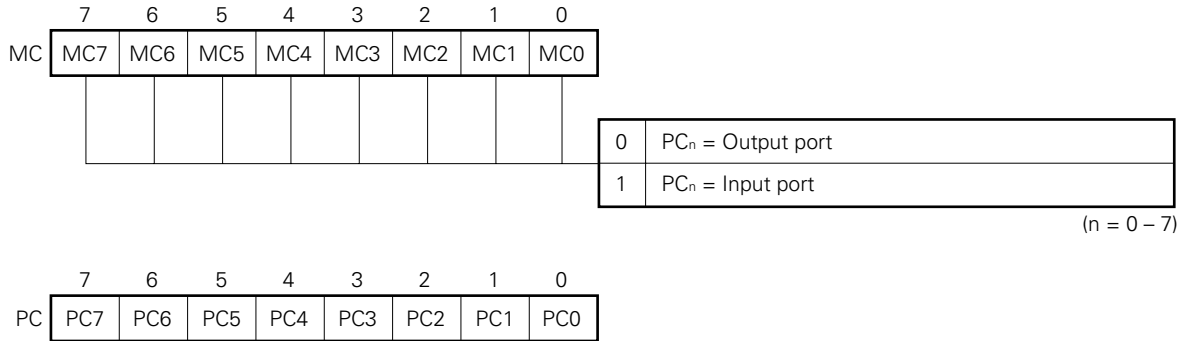


(1) Port mode

Like port A, port C is an 8-bit input/output port with input/output buffer and output latch functions (see **Figure 4-1**). When port C is set to port mode by the mode control C register, it can be set bit-wise as an input or output port by means of the mode C register (MC). When set to input port, the pins become high-impedance. When the corresponding bit of the mode C register is set (1), a port C pin functions as an input port pin, and when reset (0), as an output port pin (see **Figure 4-7**).

When $\overline{\text{RESET}}$ is input or the hardware STOP mode is set all bits of the mode C register are set and port C functions as an input port (high-impedance).

Figure 4-7. Mode C Register Format



As with port A, direct bit setting/resetting of port C output latch contents is possible by an arithmetic or logical operation instruction without the use of an accumulator. Data transfer to/from an accumulator is also possible.

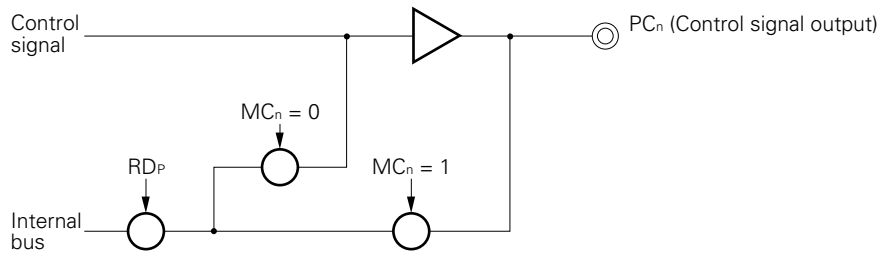
(2) Control signal input/output mode

Port C input/output pins (PC7 to PC0) can be used bit-wise as control signal inputs or outputs by setting (1) the relevant bit of the mode control C register, regardless of the mode C register setting. When the PC_n pin is used for a control signal (MCC_n=1), the control signal status is ascertained by execution of a port C read instruction or test instruction.

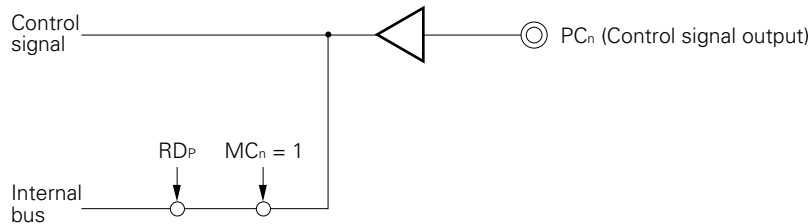
(a) When PC_n is control signal output

When MC_n=1, the status of the PC_n pin control signal can be read into an accumulator or tested by executing a port C read instruction or test instruction.

When MC_n=0, the internal control signal status can be read into an accumulator or tested by executing a port C read instruction or test instruction (see **Figure 4-8**).

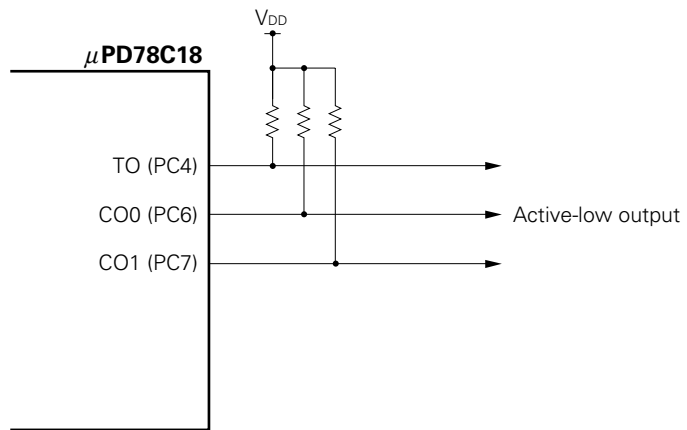
Figure 4-8. Port C Specified as Control Signal Output**(b) When PC_n is control signal input**

When MC_n=1, the status of the PC_n pin control signal can be read into an accumulator by a port C read instruction or tested by a port C test instruction.

Figure 4-9. Port C Specified as Control Signal Input

- Cautions**
1. When MCC3 is rewritten, INTF2 may be set. After rewriting, INTF2 should be reset by the SKIT instruction.
 2. When TO (PC4), CO0 (PC6) and CO1 (PC7) are used as active-low signal outputs, the following manipulation is required.

Since port C is entirely set as an input port (high-impedance) in its initial status after a reset, TO, CO0 and CO1 used as active-low pin have to be raised to the high level with a pull-up resistor to make them inactive. Also, before switching to the control signal output mode by means of the mode control C register, "1" must be written to the port C output latch to make the port C output level and output latch contents equal. Port C is then switched to the control signal output mode by means of the mode control C register.



```

MVI PC, 0FFH ; PORT C OUTPUT LATCH=1
MVI A, 0FFH ;
MOV MCC, A ; PORT C CONTROL MODE
    
```

4.4 Port D (PD7 to PD0)

■ **μPD78C18/78C14/78C14A/78C12A/78C11A/78CP18/78CP14**

Port D is an 8-bit special input/output port; in addition to functioning as a general-purpose input/output port (port mode), this port also functions as a multiplexed address/data bus.

Port/expansion mode can be specified for port D as a byte unit by means of the memory mapping register (see **Table 4-1**).

Table 4-1. Operation of PD7 to PD0 (μPD78C18/78C14/78C14A/78C12A/78C11A/78CP18/78CP14)

	MM2, MM1=0, 0	MM2, MM1≠0, 0
PD7 to PD0	Port mode	Expansion mode

Port D is set to port mode when the MM2 and MM1 bits of the memory mapping register are reset (0), and to expansion mode in all other cases (see **11.1.1 Memory mapping register (MM)**).

(1) Port mode

Port D is an 8-bit input/output port which has input/output buffer and output latch functions in the same way as port A, except that input or output port setting is performed as a byte (8-bit) unit.

Port D can be set as input or output as a byte unit by the MM0 bit of the memory mapping register: It functions as an input port when the MM0 bit is reset (0), and as an output port when the MM0 bit is set (1).

Except for having input/output specified as a byte unit, port D operation is the same as for port A; Direct bit setting/resetting of output latch contents is possible by an arithmetic or logical operation instruction without the use of an accumulator, and data transfer to/from an accumulator is also possible.

(2) Expansion mode

External memory expansion up to 256 bytes is possible using the port D input/output pins (PD7 to PD0) as a multiplexed address/data bus. Also, when a large external memory expansion is made, this is done by using PF7 to PF0 as the address bus (see **CHAPTER 11 EXTERNAL DEVICE ACCESSES AND TIMINGS** for details).

■ **μPD78C17/78C10A**

The port operates only as a multiplexed address/data bus (AD7 to AD0), and has no port function

- Cautions**
- 1. When the port D input/output pins (PD7 to PD0) are functioning as an address/data bus (AD7 to AD0), the internal address bus status is output in synchronization with ALE in all machine cycles.**
 - 2. Emulation cannot be performed by an emulator for a program which varies the port D operating mode dynamically. Therefore, once the mode has been set, it should not be changed to a different mode.**

4.5 Port F (PF7 to PF0)

■ μ PD78C18/78C14/78C14A/78C12A/78C11A/78CP18/78CP14

Port F is an 8-bit special input/output port; in addition to functioning as a general-purpose input/output port (port mode), this port also functions as an address bus.

Port/expansion mode can be specified in steps for PF7 to PF0 by means of the memory mapping register (see 11.1.1 Memory mapping register (MM)).

(1) Port mode

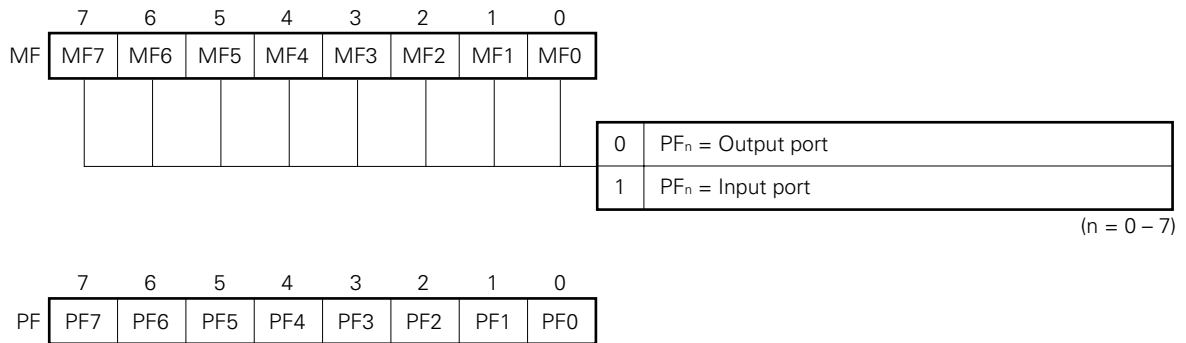
Like port A, port F is an 8-bit input/output port with input/output buffer and output latch functions (see Figure 4-1. Port A).

Port F can be set bit-wise as an input or output port by means of the mode F register (MF). When set to input, the pins become high-impedance.

When the corresponding bit of the mode F register is set (1), a port F pin functions as an input port pin, and when reset (0), as an output port pin.

When $\overline{\text{RESET}}$ is input or the hardware STOP mode is set all bits of the mode F register are set.

Figure 4-10. Mode F Register Format



As with port A, direct bit setting/resetting and bit testing of port F output latch contents is possible by an arithmetic or logical operation instruction without the use of an accumulator. Data transfer to/from an accumulator is also possible.

(2) Expansion mode

Port F input/output pins (PF7 to PF0) can be used as address outputs corresponding to the size of external expansion memory, as shown in Table 4-2. This setting is performed by means of the memory mapping register.

Pins not used as address outputs are set to port mode.

Table 4-2. Operation of PF7 to PF0 (μ PD78C18/78C14/78C14A/78C12A/78C11A/78CP18/78CP14)

PF7	PF6	PF5	PF4	PF3	PF2	PF1	PF0	External Address Space
Port	Port	Port	Port	Port	Port	Port	Port	Up to 256 bytes
Port	Port	Port	Port	AB11	AB10	AB9	AB8	Up to 4K bytes
Port	Port	AB13	AB12	AB11	AB10	AB9	AB8	Up to 16K bytes
AB15	AB14	AB13	AB12	AB11	AB10	AB9	AB8	Up to 31K/48K/56K/60K bytes ^{Note}

Note 31K (μ PD78C18), 48K (μ PD78C14/78C14A), 56K (μ PD78C12A), 60K (μ PD78C11A). The operation of the μ PD78CP18 and 78CP14 differ depending on the setting of bits MM5 to MM7 of the memory mapping register.

■ **μ PD78C17/78C10A**

These pins function as address outputs corresponding to the size of externally installed memory according to the MODE0 and MODE1 pin settings.

Pins which are not used as address outputs can be used as general-purpose input/output port pins which have the same port functions as port A, with input/output setting performed by the mode F register.

Table 4-3. Operation of PF7 to PF0 (μ PD78C17/78C10A)

MODE1	MODE0	PF7	PF6	PF5	PF4	PF3	PF2	PF1	PF0	External Address Space
0	0	Port	Port	Port	Port	AB11	AB10	AB9	AB8	4K bytes
0	1	Port	Port	AB13	AB12	AB11	AB10	AB9	AB8	16K bytes
1	0	Setting prohibited								
1	1	AB15	AB14	AB13	AB12	AB11	AB10	AB9	AB8	63K/64K bytes ^{Note}

Note 63K (μ PD78C17), 64K (μ PD78C10A)

- Cautions**
- 1. Pins not used as address bus pins output the internal address bus status in all machine cycles. When the address changes, undefined data is output.**
 - 2. Emulation cannot be performed by an emulator for a program which varies the port F operating mode dynamically. Therefore, once the mode has been set, it should not be changed to a different mode.**

When the 63K/64K-byte mode is used with the μ PD78C17/78C10A, instructions which output data to port D or port F should not be executed; if such an instruction is executed, the \overline{WR} signal will be output.

4.6 Operation of Arithmetic and Logical Operation Instruction Involving a Port and Immediate Data

With the following instructions which perform arithmetic and logical operations involving a port and immediate data, the operation differs depending on the input/output setting of the port.

Table 4-4. Operation of Arithmetic/Logical Operation Instructions Involving a Port

Mnemonic	Operand	Instruction
ACI, ADI, ADINC SBI, SUI, SUINB	sr2, byte	Arithmetic operation
ANI, ORI, XRI		Logical operation
GTI, LTI		Comparison
EQI, NEI		Match detection
OFFI, ONI		Test

Instruction operations are as follows:

- (1) The port status is input.
 Output mode pin: Output latch status is input.
 Input mode pin: Pin external status is input.
- (2) The arithmetic/logical operation is performed on the input data and immediate data.
- (3) The entire 8-bit operation result data is transferred to the port output latch.
 For input mode pins, the result of the operation with the pin external status is transferred to the output latch.

Caution (3) applies only to the arithmetic operations and logical operations in Table 4-4.

Port output latch initialization should be performed by a transfer instruction (MOV, MVI).

[MEMO]

CHAPTER 5 TIMER FUNCTIONS

5.1 Timer Configuration

The timer system in the μ PD78C18 consists of two 8-bit interval timers (TIMER0 and TIMER1) and a timer F/F. Timer operation and square-wave output is controlled by the timer mode register (TMM).

Each interval timer (TIMER0 and TIMER1) consists of an 8-bit upcounter, an 8-bit comparator, and 8-bit timer REG0/1 (TM0 and TM1).

(1) Upcounter

This counts up using the input clock specified by the timer mode register (TMM).

(2) Timer REG0, 1 (TM0, TM1)

These are 8-bit registers used to set the interval time.

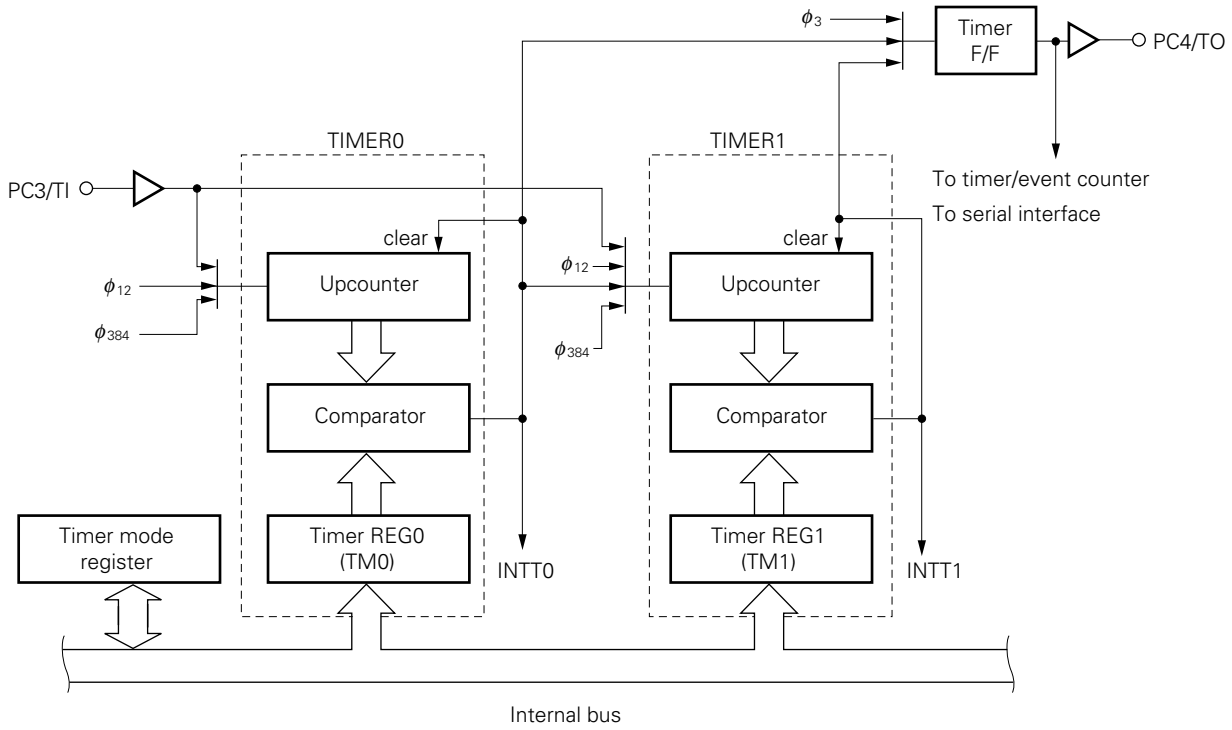
(3) Comparator

The comparator compares the upcounter contents with the timer REG0/1 contents, and if they match, clears the upcounter and generates an internal interrupt (INTT0/INTT1).

(4) Timer F/F

This F/F is inverted by a TIMER0/TIMER1 match signal or the internal clock (ϕ_3). The output of this timer F/F can be output to the TO pin (dual function as PC4). The timer F/F output can be used irrespective of the PC4 pin mode status as the basic timer of the timer/event counter according to the specification of the timer/event counter mode register or as the serial clock (\overline{SCK}) according to the serial mode register specification. The timer is also used for generation of the oscillator stabilization time when standby mode (STOP) is released (see **10.1 Standby Functions** for details).

Figure 5-1. Timer Block Diagram



Remark $\phi_3 = f_{xx} \times 1/3$
 $\phi_{12} = f_{xx} \times 1/12$
 $\phi_{384} = f_{xx} \times 1/384$
 f_{xx} : Oscillator frequency (MHz)

5.2 Timer Mode Register (TMM)

This is an 8-bit register which specifies the operating mode of the two interval timers (TIMER0 and TIMER1) and the timer F/F. Its configuration is shown in Figure 5-2.

(1) TF0 & TF1 (bits 0 & 1)

These bits perform timer F/F reset specification and input clock specification. The internal clock (ϕ_3) is obtained by dividing the oscillator frequency by 3.

(2) CK00 & CK01 (bits 2 & 3)

These bits specify the TIMER0 input clock. Internal clocks ϕ_{12} and ϕ_{384} are obtained by dividing the oscillator frequency by 12 and 384 respectively.

(3) TS0 (bit 4)

TS0 controls the operation of the TIMER0 upcounter. When TS0 is "1", the upcounter is cleared to 00H and the count-up is stopped; when changed from "1" to "0", the upcounter starts counting up from 00H. However, if, after this bit is set to "0" and the count has begun, "0" is written to the bit again, the upcounter is not cleared and the count continues.

(4) CK10 & CK11 (bits 5 & 6)

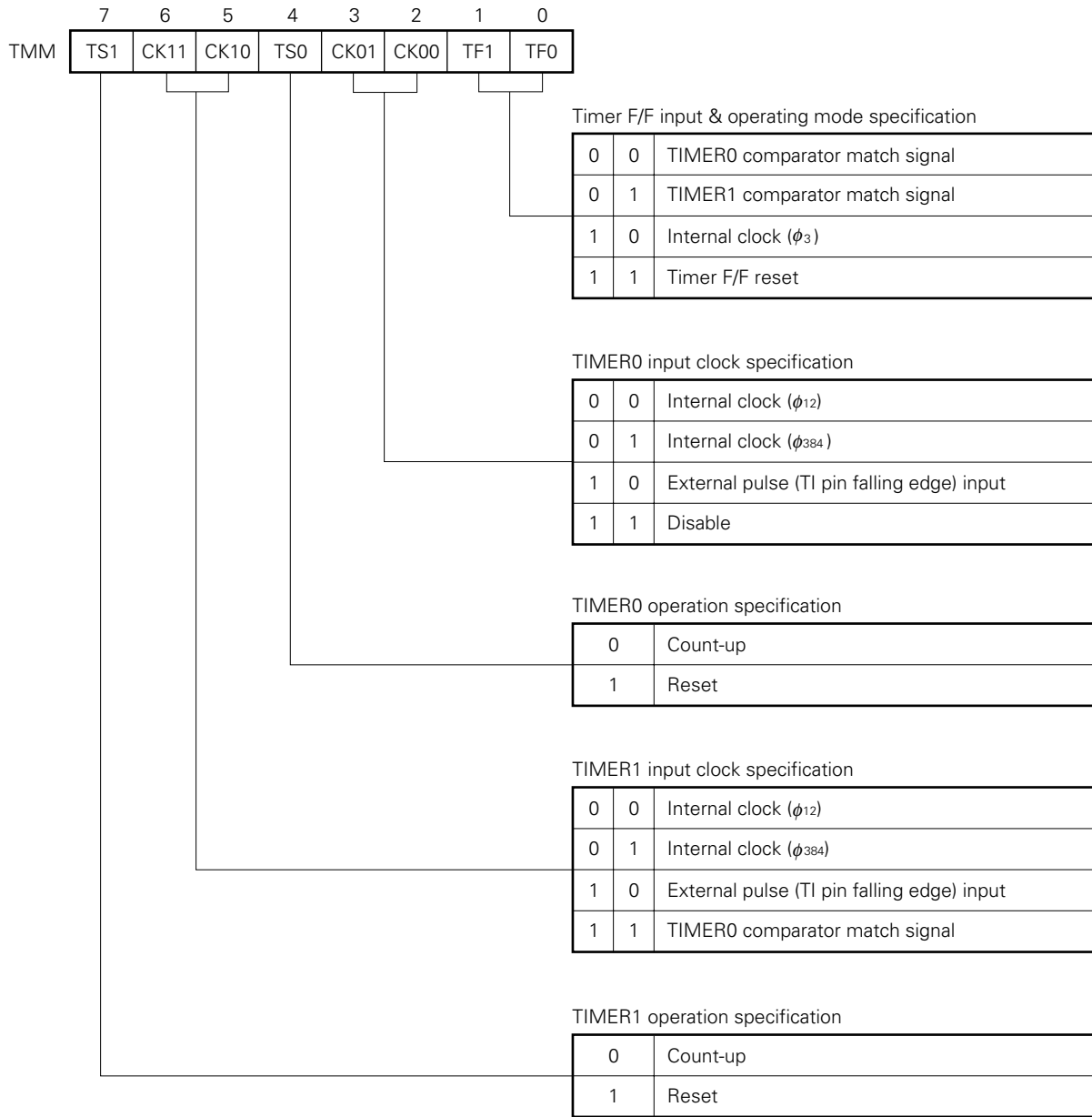
These bits specify the TIMER1 input clock.

(5) TS1 (bit 7)

TS1 controls the operation of the TIMER1 upcounter and operates in the same way as the TS0 bit.

$\overline{\text{RESET}}$ input sets the timer mode register to FFH, clears and stops the upcounter of both TIMER0 and TIMER1, and resets the timer F/F.

Figure 5-2. Timer Mode Register (TMM) Format



5.3 Timer Operations

Interval timer operation is performed for the two timers using the following input clocks according to the specification of the timer mode register (TMM).

(1) Internal clock (ϕ_{12})

When the internal clock (ϕ_{12}) is specified as the upcounter input clock, the timer operates as an interval timer with an interval from 1 μ s to 256 μ s (at 12 MHz operation) with a 1 resolution of 1 μ s.

(2) Internal clock (ϕ_{384})

When the internal clock (ϕ_{384}) is specified as the upcounter input clock, an interval time from 32 μ s to 8.192 ms can be selected (at 12 MHz operation) with a resolution of 32 μ s.

(3) External pulse (TI)

When an external pulse (TI input) is specified as the upcounter input clock, the timer operates as an interval timer of any desired resolution. Also, when the upcounter counts external pulses up to the value set in timer REG0/1 (TM0/TM1), it can also be used as an event counter which generates internal timer interrupts (INTT0/INTT1). However, it is not possible to read the count data (the upcounter contents) during the count.

To prevent errors due to noise signals in the TI pin, sampling is performed by a sampling pulse with a 1-state (250 ns: 12 MHz) cycle. Thus an input signal of less than 1 state is eliminated, and a high level or low level duration of 2 states or more is necessary for a signal to be acknowledged as a TI pin input signal.

The upcounter count operation is performed by falling edge input on the TI pin.

(4) TIMER0 output (can only be specified for TIMER1)

This can only be specified for TIMER1. The timer operates as a 16-bit interval timer which counts TIMER0 match signals as the TIMER1 upcounter input. An interval from 1 μ s to 65.536 ms or from 32 μ s to 2.1 s can be selected (at 12 MHz operation).

Since both TIMER0 and TIMER1 perform the same operation, TIMER0 operation is described here.

Interval timer operation is started by setting the count value in timer REG0 and writing the necessary data to the timer mode register. The upcounter counts up every input clock cycle, while the comparator constantly compares the contents of the counting upcounter and the contents of timer REG0, and generates an internal interrupt (INTT0) if they match. When a match occurs, the upcounter is cleared and the count-up starts again from 00H. Thus TIMER0 functions as an interval timer which generates repeated interrupt requests using the value set in timer REG0 as the interval. When timer REG0 is set, an interrupt is generated on the 256th count.

Cautions 1. When data is written to timer REG0, output of the comparator match signal is disabled, and therefore INTT0 is not generated.

2. After $\overline{\text{RESET}}$ input, the contents of TM0 are undefined.

Ensure that TM0 initialization is performed by the program before the timer is started.

When the TIMER0 match signal is selected as the timer F/F input and the upcounter contents and the timer REG0 contents match, the timer F/F contents are inverted and a square wave can be output from the TO pin. The pulse width of the square wave output to the TO pin is determined by the count value set in timer REG0. If 0 is set, the timer F/F contents are inverted and INTT0 is generated by the comparator match signal generated every 256 counts.

The INTT0 timer interrupt is disabled by setting MKT0 (bit 1 of the interrupt mask register MKL).

[MEMO]

CHAPTER 6 TIMER/EVENT COUNTER FUNCTIONS

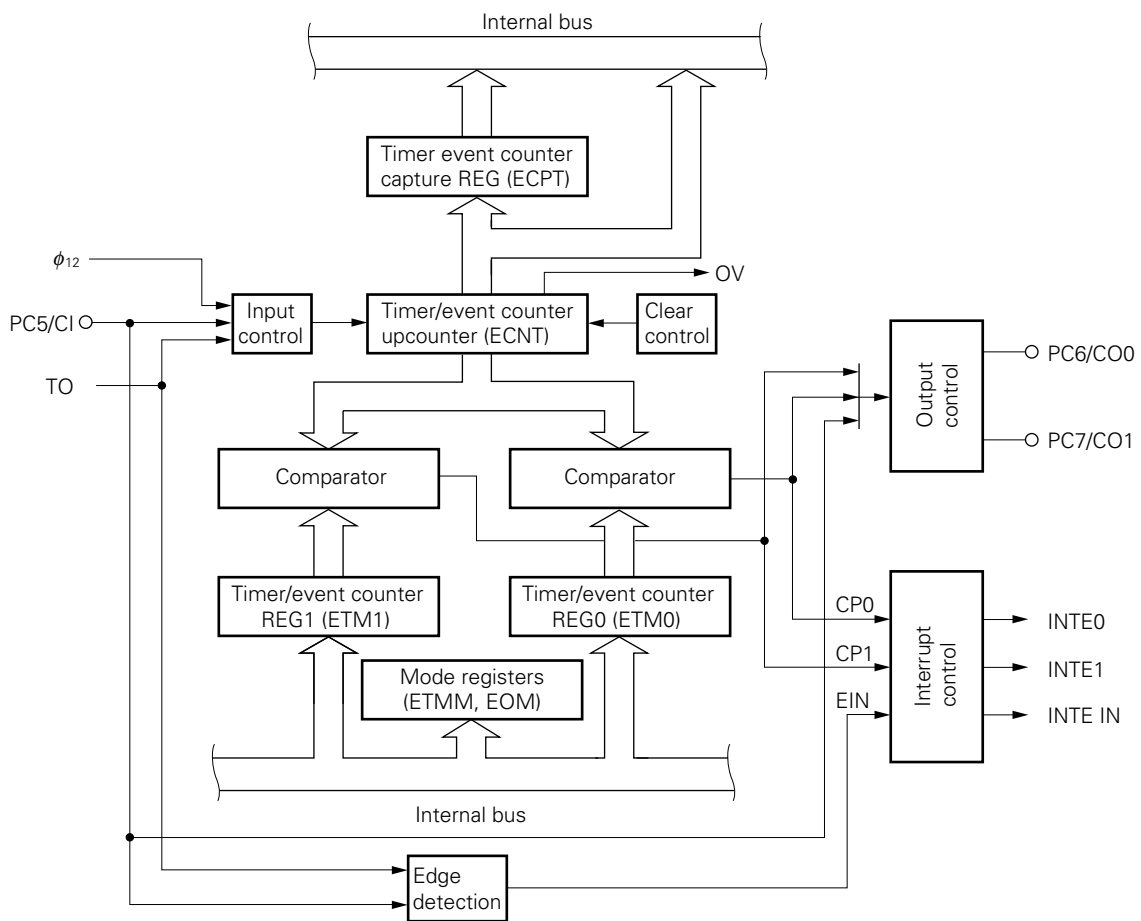
The μ PD78C18 is equipped with a multi-function 16-bit timer/event counter which performs the following operations:

- Interval timer function (see **6.3.1 Interval timer mode**)
- External event counter function (see **6.3.2 Event counter mode**)
- Frequency measurement (see **6.3.3 Frequency measurement mode**)
- Pulse width measurement (see **6.3.4 Pulse width measurement mode**)
- Programmable square-wave output (see **6.3.5 Programmable rectangular-wave output mode**)

6.1 Timer/Event Counter Configuration

The configuration of the timer/event counter is shown in Figure 6-1.

Figure 6-1. Timer/Event Counter Block Diagram



Remark $\phi_{12} = f_{xx} \times \frac{1}{12}$ f_{xx} : Oscillator frequency

(1) Timer/event counter upcounter (ECNT)

ECNT is a 16-bit upcounter which counts input pulses, and is cleared by the clear control circuit. The OV flag is set if overflow occurs. The OV flag can be tested by the SKIT instruction (see **9.1 (6) Test flag register**).

(2) Timer/event counter capture register (ECPT)

The ECPT register is a 16-bit buffer register which holds the ECNT contents. The timing for latching of the ECNT contents by the ECPT register is as follows according to the input to the ECNT. The ECPT register latches the ECNT contents on the fall of the CI input when the input to ECNT is (5) (i) Internal clock (ϕ_{12}), or (ii) Internal clock while CI input is high, and on the fall of TO when the input to ECNT is (iii) CI input or (iv) CI input while TO output is high.

Table 6-1. Timing for Latching in ECPT

ETMM		ECNT Input	ECNT Latch Timing
ET1	ET0		
0	0	Internal clock (ϕ_{12})	CI input falling edge
0	1	ϕ_{12} while CI is high	
1	0	CI input ^{Note 1}	TO falling edge ^{Note 2}
1	1	CI input while TO is high ^{Note 1}	

- Notes**
1. Falling edge input
 2. The TO signal cannot be used when timer F/F input is used as internal clock ϕ_3 (see **Figure 5-1. Timer Block Diagram**).

(3) Timer/event counter REG0/1 (ETM0/ETM1)

These are two 16-bit registers used to set the count value.

- Cautions**
1. When 0 is set, a match signal (CP0/CP1) is generated from the comparator every count of 65536 (10000H).
 2. When data is written to ETM0/ETM1, output of the comparator match outputs (CP0/CP1) are disabled, and therefore INTE0/INTE1 are not generated.

(4) Comparator

The comparator compares the contents of ECNT and ETM0/ETM1, and if a match is detected, outputs a coincidence signal (CP0/CP1)

(5) Input control circuit

This circuit controls input to ECNT. The input to ECNT is determined as follows according to the specification of the timer/event counter mode register (ETMM).

- (i) Internal clock (ϕ_{12})
- (ii) Internal clock while CI input is high
- (iii) CI input
- (iv) CI input while TO output is high

To prevent errors due to noise signals in the CI pin, sampling is performed by a sampling pulse with ϕ_3 cycle (250 ns at 12 MHz operation). Thus an input signal of less than 1 state (250 ns at 12 MHz operation) is eliminated, and a high level or low level duration of 2 states (500 ns at 12 MHz operation) or more is necessary for a signal to be acknowledged as a CI pin input signal.

Caution In CI pin edge detection, noise elimination is performed by the internal sampling clock (ϕ_3)

Table 6-2. ECNT Inputs

ETMM		ECNT Input
ET1	ET0	
0	0	Internal clock (ϕ_{12})
0	1	ϕ_{12} while CI input is high
1	0	CI input ^{Note}
1	1	CI input while TO is high ^{Note}

Note Falling edge input

(6) Clear control circuit

This circuit clears ECNT as follows according to the specification of the timer/event counter mode register (ETMM).

- (i) Remains cleared
- (ii) Not cleared
- (iii) Match of ECNT and ETM1
- (iv) CI input falling edge or TO falling edge

In case (iv), the operation is as shown in Table 6-3 according to the ECNT input.

Table 6-3. ECNT Clearing

ETMM				ECNT Input	ECNT Clearing
EM1	EM0	ET1	ET0		
0	0	×	×	No relation	Stop after clearing
0	1	×	×		Free running (not cleared)
1	0	0	0	Internal clock (ϕ_{12})	CI input falling edge
		0	1	ϕ_{12} while CI input is high	
		1	0	CI input	TO falling edge ^{Note}
		1	1	CI input while TO is high	
1	1	×	×	No relation	Match of ECNT and ETM1

Note The TO signal cannot be used when timer F/F input is used as internal clock ϕ_3 (see **Figure 5-1. Timer Block Diagram**).

When (iv) is specified in the clear mode, the clear operation is performed after the capture operation.

(7) Interrupt control circuit

This circuit controls timer/event counter interrupts. Interrupt sources are shown below; an interrupt request flag is set (1) by each source.

- (i) ECNT/ETM0 match signal → INTE0
- (ii) ECNT/ETM1 match signal → INTE1
- (iii) CI input falling edge or TO falling edge → INTEIN

In case (iii), the setting is as shown in Table 6-4 according to the ECNT input as in case (ii) of item **(6) Clear control circuit**.

Table 6-4. INTEIN Interrupt Request Flag Setting

ETMM		ECNT Input	Interrupt Request Flag Setting
ET1	ET0		
0	0	Internal clock (ϕ_{12})	CI input falling edge
0	1	ϕ_{12} while CI input is high	
1	0	CI input ^{Note 1}	TO falling edge ^{Note 2}
1	1	CI input while TO is high ^{Note 1}	

- Notes**
- 1. Falling edge input
 - 2. The TO signal cannot be used when timer F/F input is used as internal clock ϕ_3 (see **Figure 5-1. Timer Block Diagram**).

(8) Output control circuit

This circuit controls the two channel pulse outputs (CO0 & CO1), and operates as a timer/event counter enabling the pulse width and cycle to be varied.

Pulse output is varied by the following signals.

- (i) Match of ECNT and ETM0
- (ii) Match of ECNT and ETM1
- (iii) CI input falling edge

(9) Mode registers

These are two 8-bit registers which specify the operation of the timer/event counter and output control circuit (see **6.2 Mode Registers** for details).

6.2 Mode Registers

The timer/event counter has two mode registers: The timer/event counter mode register (ETMM) which specifies the operating mode, and the timer/event counter output mode register (EOM) which specifies the operation of the output control circuit.

6.2.1 Timer/event counter mode register (ETMM)

This is an 8-bit register which controls the timer/event counter; its configuration is shown in Figure 6-2.

(1) ET0 & ET1 (bits 0 & 1)

These bits specify the timer/event counter upcounter (ECNT) input clock, latch timing, and INTEIN interrupt flag setting conditions. They may also be used for clear mode specification (when EM1=1 and EM0=0). The internal clock (ϕ_{12}) is obtained by dividing the oscillator frequency by 12.

(2) EM0, & EM1 (bits 2 & 3)

These bits control the ECNT clear mode. When the value of the EM0 bit and EM1 bit is "00", ECNT is cleared to 0000H and counting up is not performed.

When the EM0 and EM1 bits are set to any value other than "00", ECNT counts up using the input clock; ECNT is cleared by the conditions shown in Figure 6-2, after which the count starts again from 0000H.

When EM0=0 and EM1=1, the conditions for clearing ECNT are as follows, according to the input clock specification.

- When ET1=0 and ET0=0, or ET1=0 and ET0=1, ECNT is cleared by the falling edge of the CI input (see **6.3.4 Pulse width measurement mode**).
- When ET1=1 and ET0=0, or ET1=1 and ET0=1, ECNT is cleared by the falling edge of the TO input (see **6.3.3 Frequency measurement mode**).

(3) CO00 & CO01 (bits 4 & 5)

These bits specify the timing for transfer to the output latch of the level of the LV0 level F/F shown in Figure 6-3. When CO00=0 and CO01=1, the LV0 level is transferred to the output latch in the event of either a match between ECNT and ETM0 or a fall of the CI input. When CO00=1 and CO01=1, the level is transferred in the event of a match between ECNT and ETM0 or a match between ECNT and ETM1.

When the LD0 bit of the timer/event counter output mode register (EOM) is set (1), the LV0 level is inverted after transfer to the output latch.

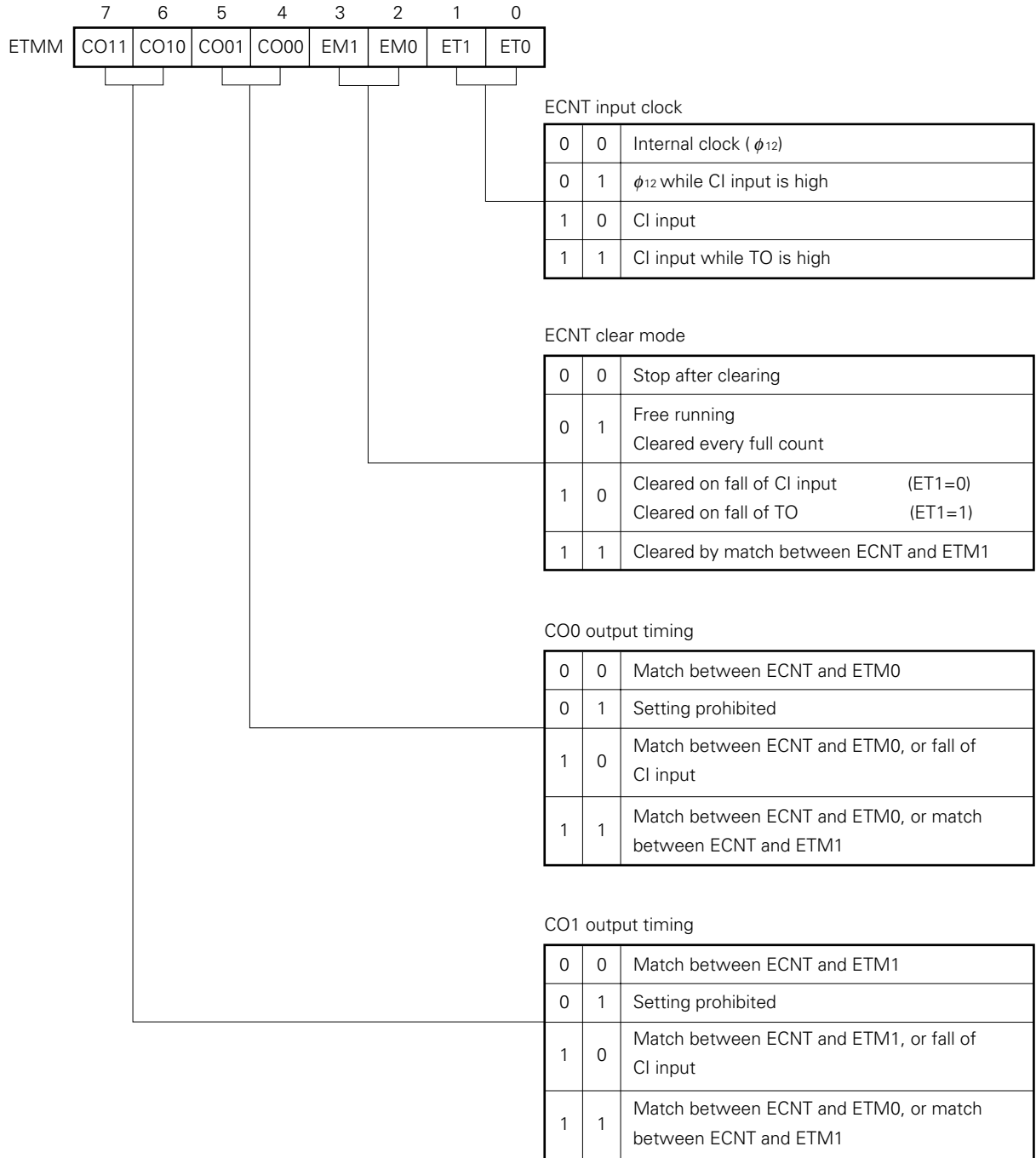
(4) CO10 & CO11 (bits 6 & 7)

In a similar way to the CO00 and CO01 bits, these bits specify the timing for transfer to the output latch of the level of the LV1 level F/F. When CO10=0 and CO11=1, or CO10=1 and CO11=1, the LV1 level is transferred to the output latch as with the CO00 and CO01 bits.

When the LD1 bit of the timer/event counter output mode register (EOM) is set (1), the LV1 level is inverted after transfer to the output latch.

The timer/event counter mode register is reset to 00H by $\overline{\text{RESET}}$ input and in the hardware STOP mode.

Figure 6-2. Timer/Event Counter Mode Register Format



6.2.2 Timer/event counter output mode register (EOM)

This is an 8-bit register which controls the operation of the timer/event counter output control circuit.

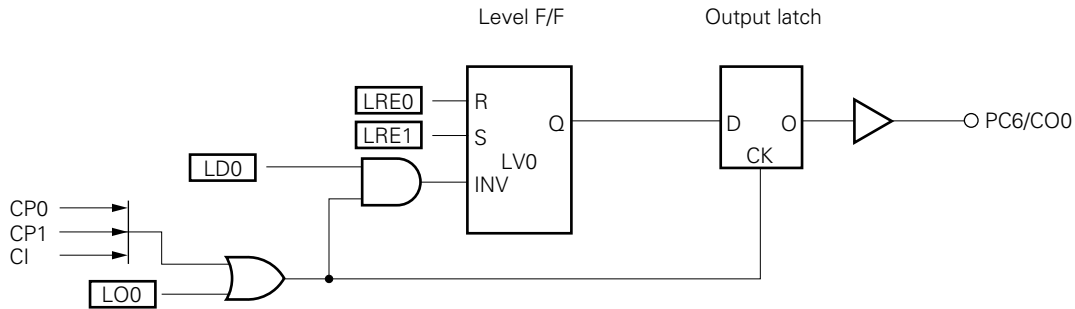
First, the configuration of the functions of the output control cycle will be described. The block diagram of the CO0 output of the output control circuit is shown in Figure 6-3.

The CO0 output is a master/slave type output, and the first-stage level F/F (LV0) holds the level to be output next. The next-stage output latch is used to output the LV0 level off chip.

For the timing for inversion of the LV0 level and output off chip from LV0, the output timing specified by the timer/event counter mode register is used.

The configuration of the CO1 output is the same as that of the CO0 output.

Figure 6-3. Output Control Circuit Block Diagram (CO0 Output)



The timer/event counter output mode register performs initialization and operation control for the output control circuit above; its configuration is shown in Figure 6-4.

(1) LO0 & LO1 (bits 0 & 4)

When LO0 or LO1 bit is set (1), the level of the level F/F (LV0 or LV1) is output to the output pin. These bits are automatically reset (0) when the level is output.

(2) LD0 & LD1 (bits 1 & 5)

These bits determine whether or not the LV0/LV1 level is inverted using the timing specified by the timer/event counter mode register. When the LD0/LD1 bit is set (1), the LV0/LV1 level is inverted using the specified output timing. When the LD0/LD1 bit is reset (0), inversion is disabled.

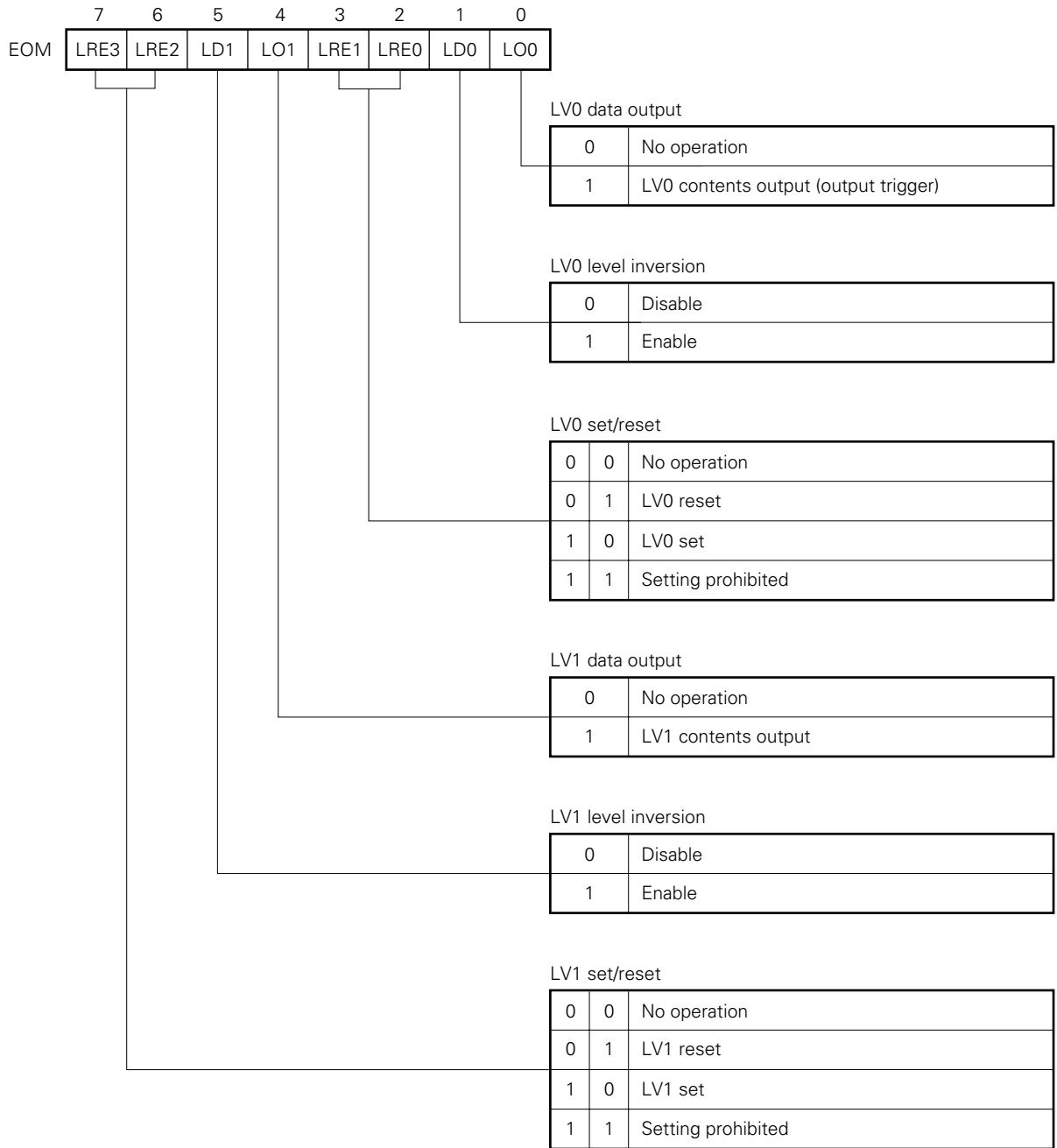
(3) LRE0, LRE1, LRE2, LRE3 (bits 2, 3, 6, 7)

These bits perform level F/F setting/resetting: When the LRE0 or LRE2 bit is set (1), LV0 or LV1 is reset respectively; and when LRE1/LRE3 is set (1), LV0/LV1 is set.

These bits automatically return to "0" when the level F/F is set/reset.

The timer/event counter output mode register is reset to 00H by $\overline{\text{RESET}}$ input and in the hardware STOP mode.

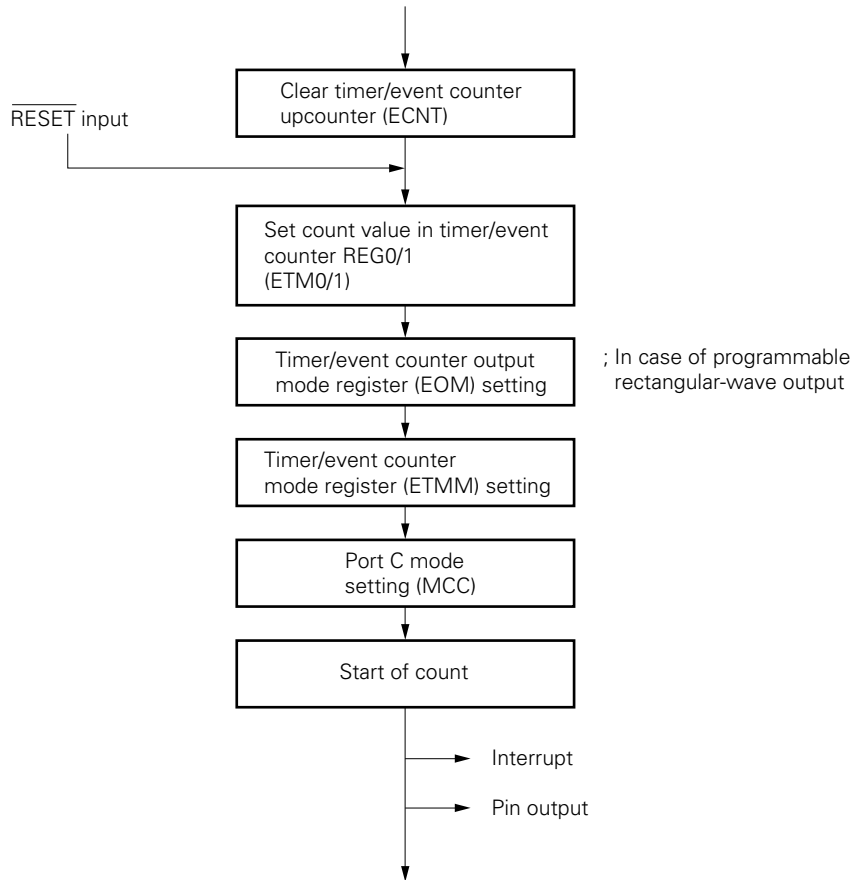
Figure 6-4. Timer/Event Counter Output Mode Register Format



6.3 Timer/Event Counter Operation

Timer/event counter operation is started by setting the count value and operating mode following the procedure shown in Figure 6-5. Once these settings have been made, operation continues in that mode until the mode register is set again.

Figure 6-5. Timer/Event Counter Setting Procedure

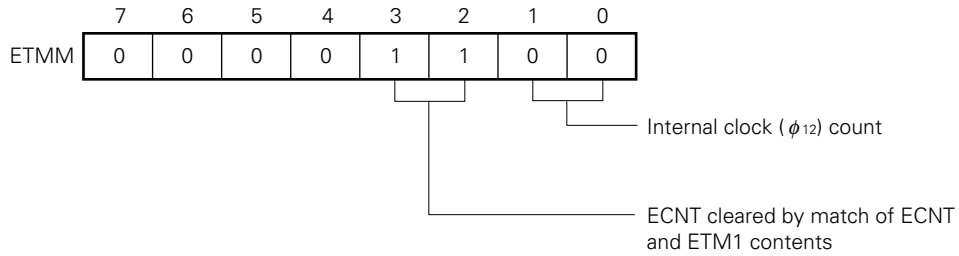


6.3.1 Interval timer mode

In this mode, the timer functions as an interval timer which generates interrupts repeatedly with the specified count time as the interval. This interval timer allows a count to be specified from 1 μ s to 65.535 ms with a resolution of 1 μ s (at 12 MHz operation).

After the timer/event counter upcounter (ECNT) is cleared, the count value is set in timer/event counter REG0/1 (ETM0/ETM1). Then when the data shown in Figure 6-6 is set in the timer/event counter mode register (ETMM), the timer/event counter operates as an interval timer using the internal clock (ϕ_{12}) as the input clock.

Figure 6-6. Timer/Event Counter Mode Register Setting (Interval Timer Mode)

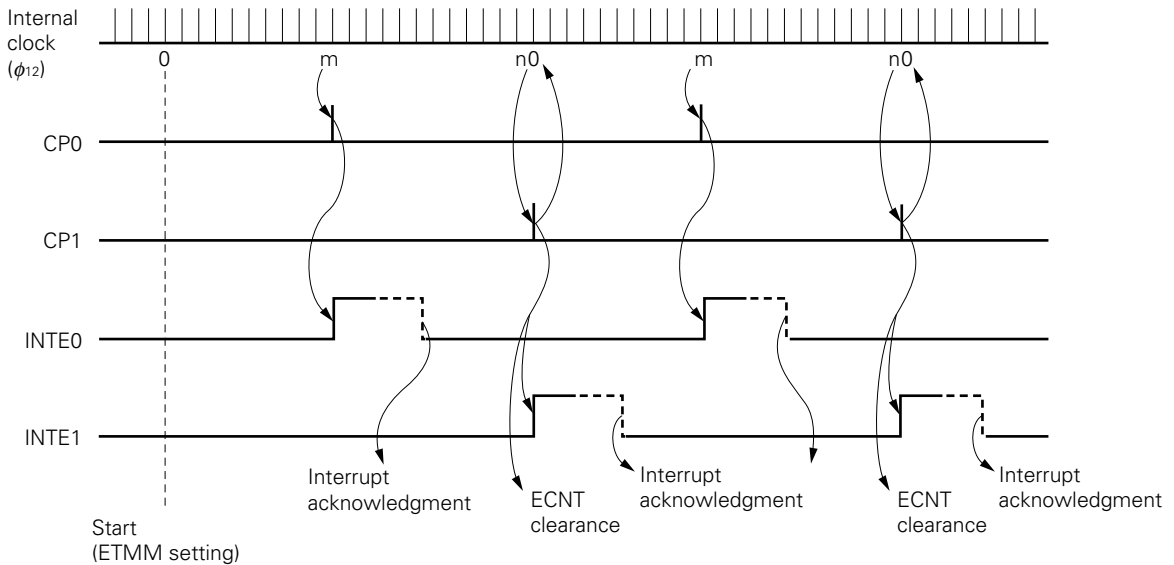


ECNT counts up every 1 μ s, and the respective comparator compares the ECNT count with the ETM0/ETM1 contents, and if a match is detected generates an internal interrupt (INTE0/INTE1) by means of a match signal (CP0/CP1). Only in the event of a match between ECNT and ETM1, the ECNT contents are cleared and the count starts again from 0000H. Thus the timer functions as an interval timer which repeatedly generates interrupts using the count time determined by the count value set in ETM1 as the interval (see **Figure 6-7**).

Caution Since ETMM setting and the start of the internal clock are asynchronous, it should be noted that some degree of error may arise in the first interval.

Internal interrupts can be disabled by setting (1) the MKE0/MKE1 bits of the interrupt mask register (MKL).

Figure 6-7. Interval Timer Mode Operation



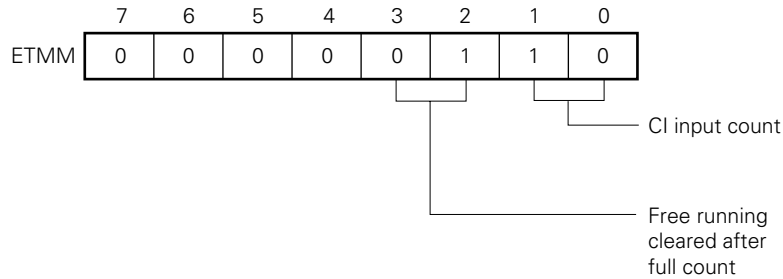
Remark ETM0=m (m<n: m, n; count value)
ETM1=n

6.3.2 Event counter mode

In this mode, external pulses input to the CI pin (dual function as PC5) are counted.

After first clearing ECNT, the external even count is performed by setting the data shown in Figure 6-8 in the timer/event counter mode register.

Figure 6-8. Timer/Event Counter Mode Register Setting (Event Counter Mode)



External pulses input to the CI pin are synchronized with the internal clock, and ECNT counts up on their falling edge.

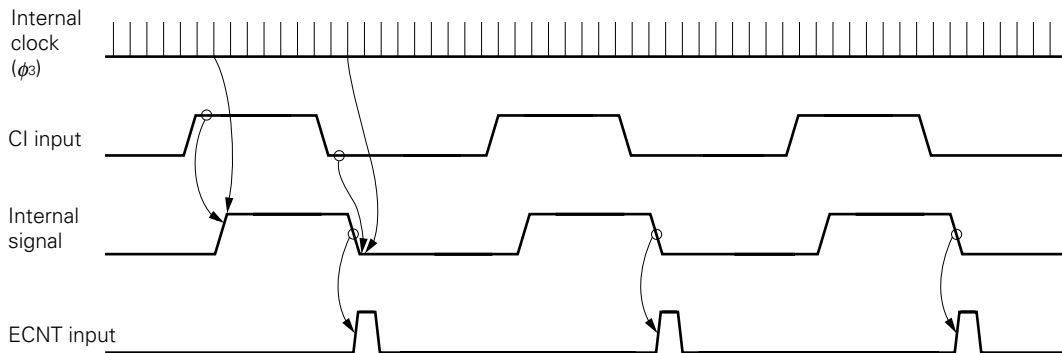
The pulse width of the pulses input to the CI pin must be at least 500 ns (at 12 MHz operation); pulses of 250 ns or less in width are regarded as noise signals and are not counted.

The count value can be read at any time by software.

When the timer/event counter mode register is set as shown in Figure 6-8, if ECNT counts up to FFFFH the OV (Overflow) flag is set and the count starts again from 0000H. The OV flag does not have an interrupt function but can be tested in the program by means of a skip instruction (SKIT or SKNIT).

When the external event count reaches the value set in ETM0/ETM1, and internal interrupt (INTE0/INTE1) is generated.

Figure 6-9. Event Counter Mode Operation

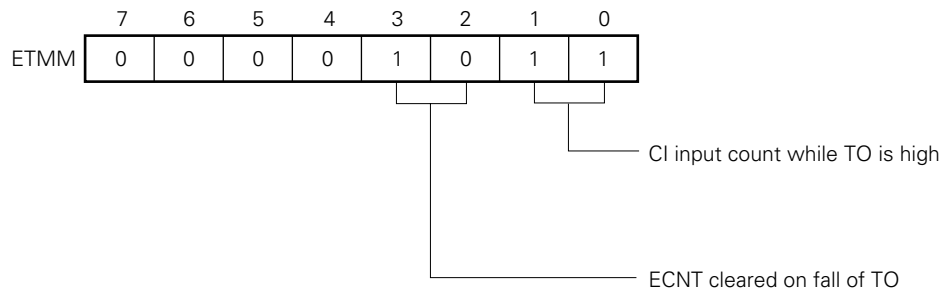


6.3.3 Frequency measurement mode

In this mode the frequency of the external pulses input to the CI pin is measured. Since the external pulses in the period (basic time) during which the timer output (TO) is high are counted in this mode, the timer needs to be started beforehand.

After first clearing ECNT, the operation is started by setting the data shown in Figure 6-10 in the timer/event counter mode register.

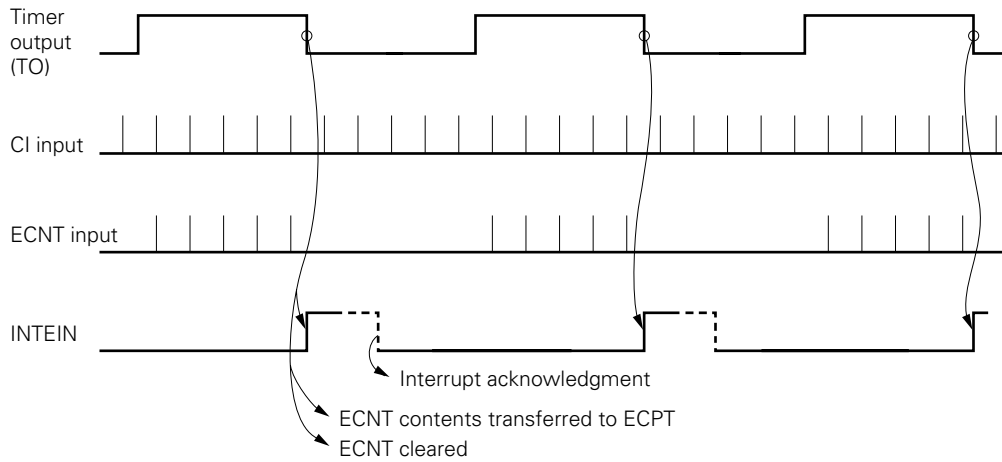
Figure 6-10. Timer/Event Counter Mode Register Setting (Frequency Measurement Mode)



ECNT counts the external pulses input to the CI pin while the timer output (TO) is high. When the timer output falls, the ECNT contents are transferred to the timer/event counter capture register (ECPT), ECNT is cleared, and an interrupt (INTEIN) is generated (see **Figure 6-11**).

Since the input to ECNT is the CI input while TO is high, ECNT is cleared and the interrupt generated by the fall of TO (see **6.1 (6) Clear control circuit** and **(7) Interrupt control circuit**).

Figure 6-11. Frequency Measurement Mode Operation



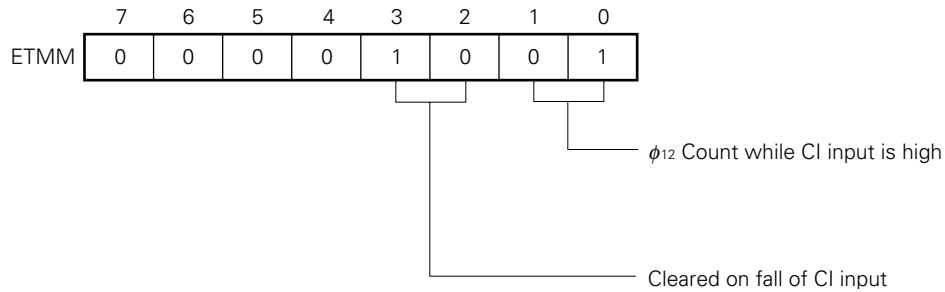
6.3.4 Pulse width measurement mode

The pulse width measurement mode is used to measure the high-level width of external pulses input to the CI pin.

After first clearing ECNT, the operation is started by setting the data shown in Figure 6-12 in the timer/event counter mode register (ETMM).

Caution The timer/event counter count should be started while TO is low (ECNT input is masked). If the timer is started when TO is high, the counter contents should be read by the second INTEIN onward after the timer is started.

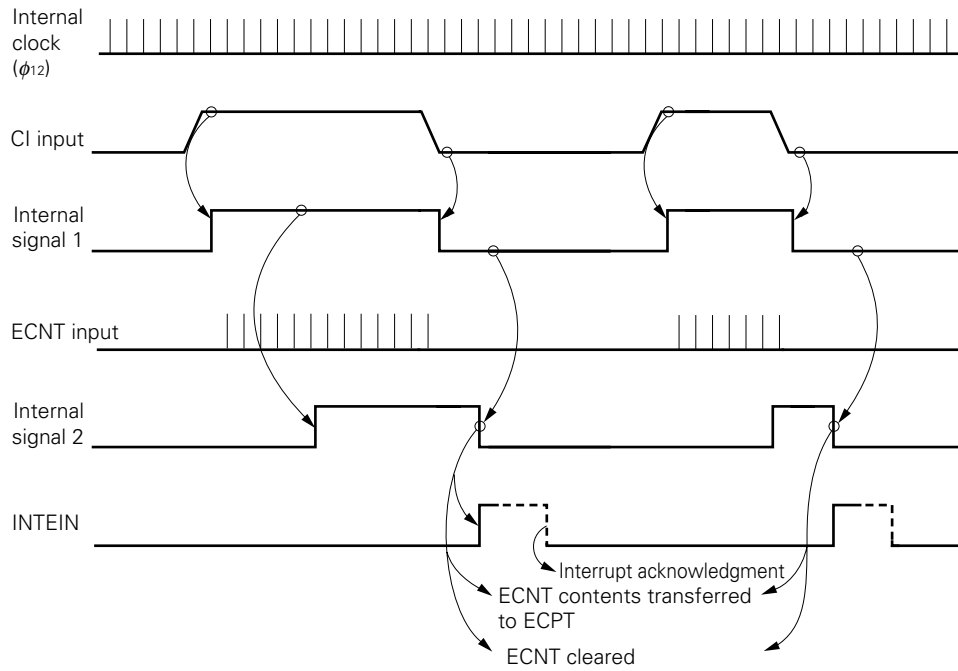
Figure 6-12. Timer/Event Counter Mode Register Setting (Pulse Width Measurement Mode)



When the CI input rises, the internal clock (ϕ_{12}) is supplied to ECNT and the count is started. ECNT continues the internal clock while the CI input is high. When the CI input falls, the internal clock supply to ECNT is stopped, the ECNT contents are transferred to the ECPT register, ECNT is cleared, and an internal interrupt (INTEIN) is generated (see **Figure 6-13**). The transfer of the ECNT contents to the ECPT register, clearing of ECNT and interrupt generation are performed on the fall of the CI input (see **6.1 (2) Timer/event counter capture register (ECPT), (6) Clear control circuit** and **(7) Interrupt control circuit**).

In the pulse width measurement mode both the high-level and low-level width of pulses input to the CI pin must be at least 16 states (4 μ s at 12 MHz operation); if less than 12 states, ECNT contents will not be transferred to the ECPT register and ECNT will not be cleared.

Figure 6-13. Pulse Width Measurement Mode Operation



6.3.5 Programmable rectangular-wave output mode

In the programmable rectangular-wave output mode, programmable rectangular waves can be output to two independent outputs (CO0 and CO1).

The same operations are performed for both CO0 and CO1: Here, programmable rectangular-wave output for the CO0 output is described.

After first clearing ECNT, the count value is set in ETM0 and ETM1. Next, the data shown in Figure 6-14 is set in the timer/event counter output mode register (EOM) to initialize the output control circuit and specify the operation. The data shown in Figure 6-15 is set in the timer/event counter mode register and timer/event counter operation is started.

Figure 6-14. Timer/Event Counter Output Mode Register Setting

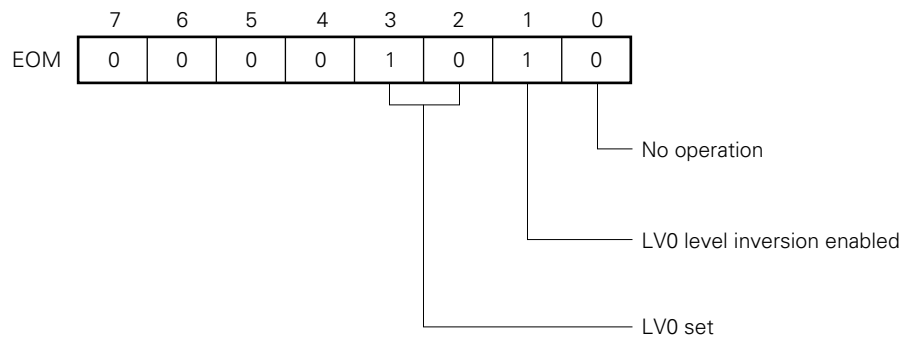
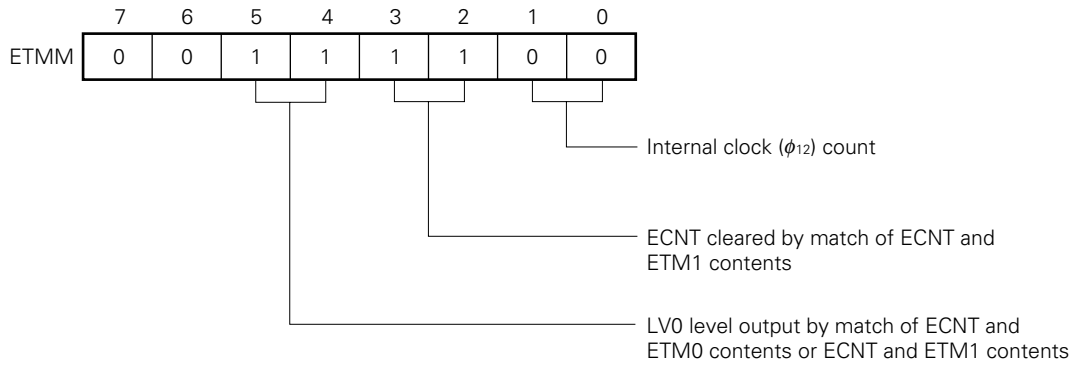


Figure 6-15. Timer/Event Counter Mode Register Setting (Programmable Rectangular-Wave Output Mode)



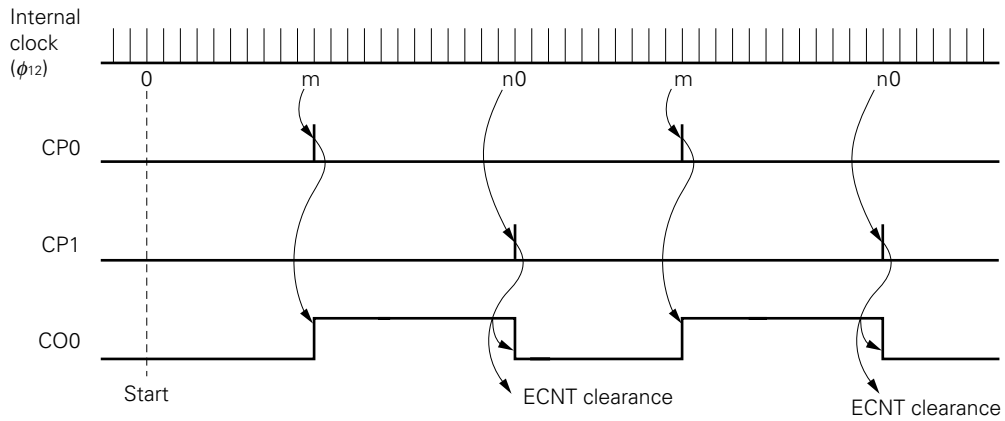
In the same way as in the interval timer mode, ECNT counts up every ϕ_{12} and the respective comparator compares the ECNT count with the ETM0/ETM1 contents, and if a match is detected, generates a match signal (CP0/CP1) and an interrupt (INTE0/INTE1). In response to the match signal, the output control circuit outputs the contents of the level F/F (LV0) to the CO0 pin and inverts the LV0 contents.

Only in the event of a match between ECNT and ETM1, the ECNT contents are cleared and the count starts again from 0000H. Thus a rectangular-wave output is obtained from CO0 with a pulse width equal to the count time determined by the count value set in ETM0 and ETM1 (see **Figure 6-16**).

Internal interrupts can be disabled by setting (1) the MKE0/MKE1 bits of the interrupt mask register (MKL).

Rectangular-wave output from the CO1 pin is implemented in the same way as square-wave output from the CO0 pin by changing the mode register setting.

Figure 6-16. Programmable Rectangular-Wave Output Mode Operation



Remark ETM0=m (m < n: m, n count value)
 ETM1=n

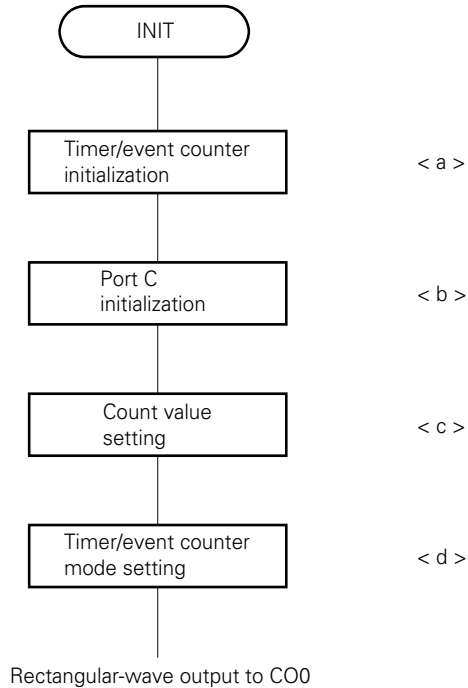
6.3.6 Timer/event counter program examples

Two examples of timer/event counter programs are given here, for programmable rectangular-wave output and single-pulse output synchronized with the fall of the CI input.

(1) Programmable rectangular-wave output

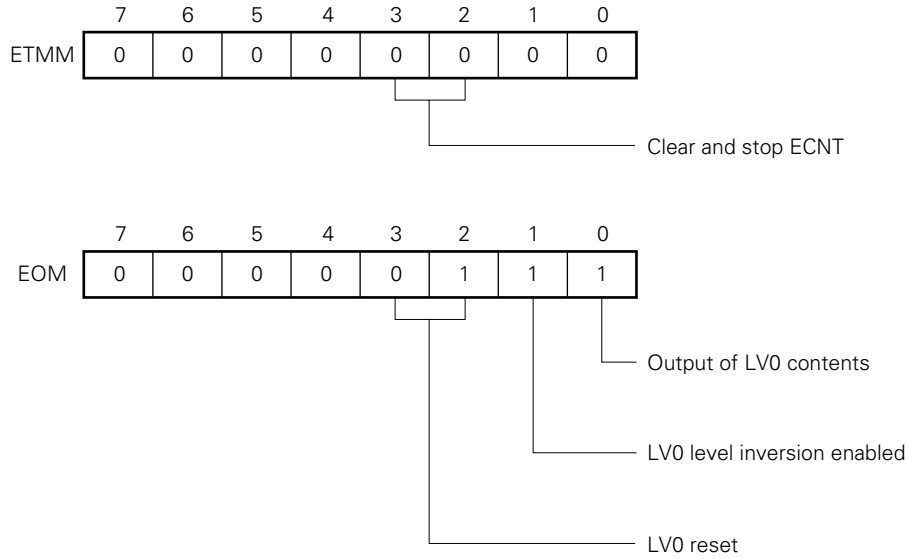
The programmable rectangular-wave output example outputs a rectangular-wave from the CO0 pin as shown in Figure 6-16. In this example the low-level width is 200 μs and the high-level width, 300 μs (at 12 MHz operation).

The operation flow is shown below.



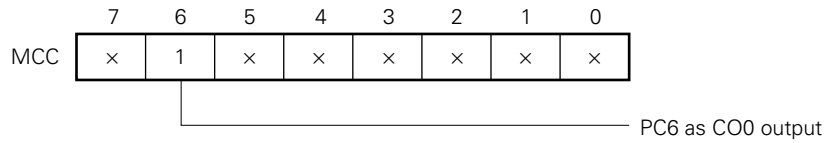
<a> The timer/event counter ECNT is cleared and CO0 output is driven low. To drive the CO0 output low, LV0 is reset and that level is output to CO0.

Figure 6-17. Timer/Event Counter Mode Register Setting (Programmable Rectangular-Wave Output: ECNT Clear, CO0 Output Reset)



 The PC6 pin of port C is set as CO0 output.

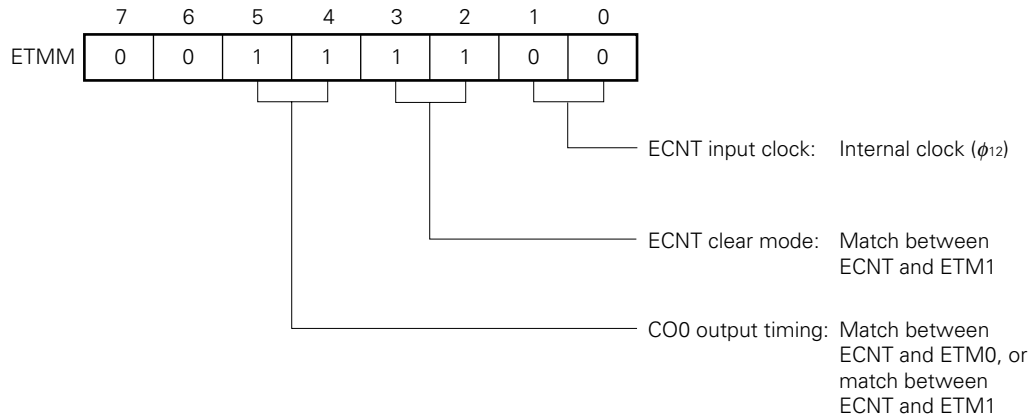
Figure 6-18. Port C Setting (Programmable Rectangular-Wave Output)



<c> To determine the low-level width and cycle of the rectangular-wave to be output to the CO0 pin, 00C8H (low level=200 μ s) is set in ETM0 (timer/event counter REG0) and 01F4H (cycle=500 μ s) is ETM1 (at 12 MHz operation).

<d> Timer/event counter operation setting is performed by the timer/event counter mode register (ETMM). Settings are as follows: An internal clock (ϕ_{12}) as the ECNT input clock, a match between ECNT and ETM1 as the ECNT clear mode, and a match between ECNT and ETM0 or between ECNT and ETM1 as the CO0 output timing. Timer/event counter operation is started by setting the timer/event counter mode register.

Figure 6-19. Timer/Event Counter Mode Register Setting (Programmable Rectangular-Wave Output: ECNT Operation Setting)



<e> LV0 is set so that a high-level signal will be output to the CO0 pin by the first comparator match signal (CP0).

TIMER/EVENT COUNTER INITIALIZATION**

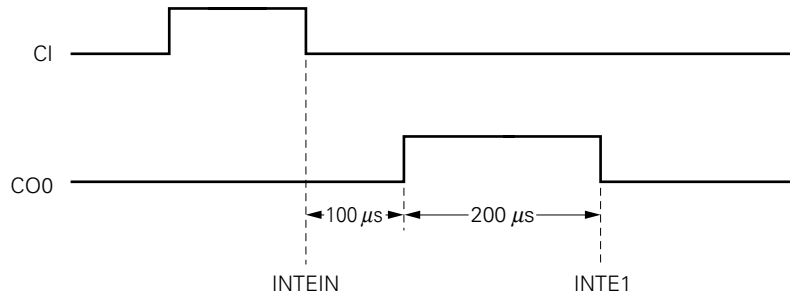
```

INIT  : MVI    A, 00H
        MOV    ETMM,A    ; Clear timer/event counter
        MVI    EOM, 07H  ; Initialize counter output 0
        MVI    A, 40H    ; PC6 : CO0
        MOV    MCC, A    ; Set Port C mode control
        LXI    EA, 00C8H ; Low level : 200 μs at 12 MHz
        DMOV   ETM0, EA  ; Set count value
        LXI    EA, 01F4H ; High level : 300 μs at 12 MHz
        DMOV   ETM1, EA  ; Set count value
START : MVI    A, 3CH
        MOV    ETMM, A   ; Set timer/event counter mode & start
        ORI    EOM, 08H ; Set LV0
  
```

(2) Single pulse output

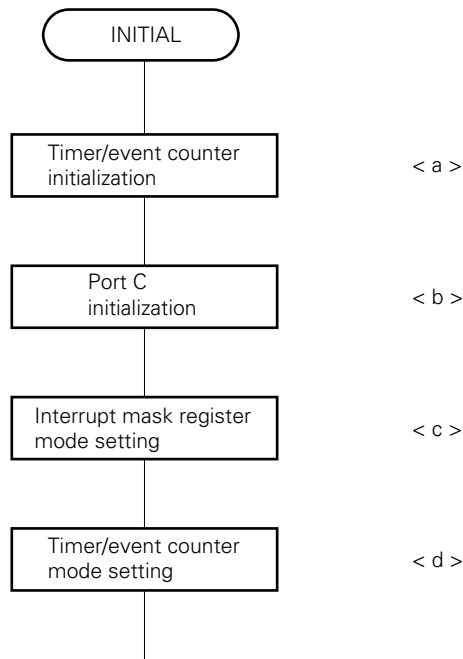
In single pulse output, as shown in Figure 6-20, a pulse is output to the CO0 pin a specific time after the fall of the CI input. In this program example a pulse with a high-level width of 200 μs is output 100 μs after the fall of the CI input (at 12 MHz operation).

Figure 6-20. Single Pulse Output



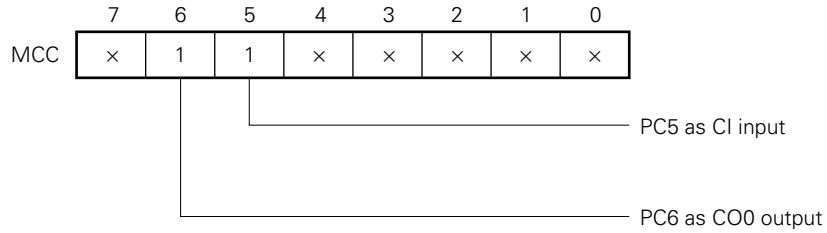
The following are required in order to perform this operation: An initialization program, a service routine to handle internal interrupts (INTEIN) generated by the fall of the CI input, and a service routine to handle internal interrupts (INTE1) generated by a match between the contents of ECNT and ETM1.

First, the initialization routine will be described. The operation flow is shown below.



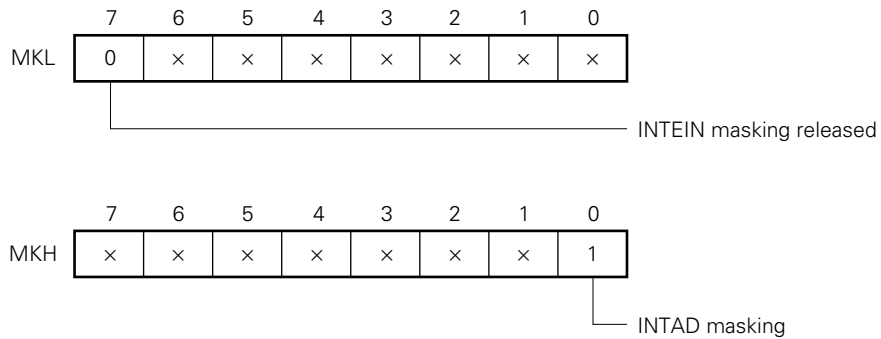
- <a> The timer/event counter ECNT is cleared, CO0 output is driven low, and LV0 is set. This is done in the same way as in step <a> of (1) "programmable rectangular-wave output".
- The PC5 in of port C is set as CI input, and the PC6 pin as CO0 output.

Figure 6-21. Port C Setting (Single Pulse Output)



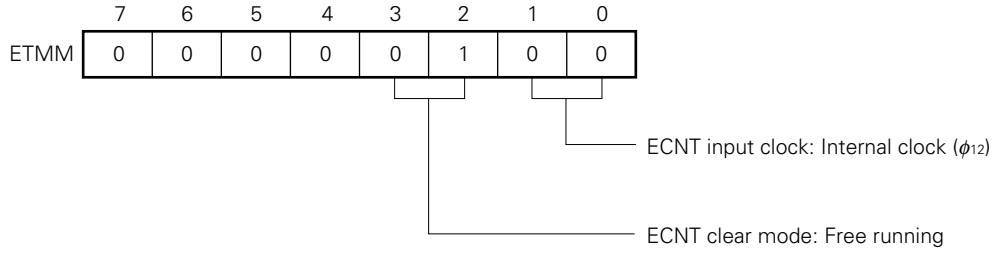
- <c> Internal interrupt (INTEIN) masking is released by means of the interrupt mask register (MKL). Internal interrupts (INTAD) with the same priority as INTEIN must be masked by the interrupt mask register (MKH).

Figure 6-22. Interrupt Mask Register Setting (Single Pulse Output: INTEIN Mask Release)



- <d> Timer/event counter operation setting is performed by the timer/event counter mode register (ETMM). The following settings are made in the timer/event counter mode register (ETMM): An internal clock (ϕ_{12}) as the ECNT input clock, and free running as the ECNT clear mode. Timer/event counter operation is started by setting the timer/event counter mode register.

Figure 6-23. Timer/Event Counter Mode Register Setting (Single Pulse Output: ECNT Operation Setting)



An example of the initialization program is shown below.

```

;***TIMER/EVENT COUNTER INITIALIZATION*****
INIT  : MVI    A, 00H
        MOV    ETMM, A    ; Clear timer/event counter
        MVI    EOM, 05H  ; Initialize counter output 0
        MVI    A, 60H    ; PC5 : CI, PC6 : CO0
        MOV    MCC, A    ; Set port mode control
        ANI    MKL, 7FH  ; INTEIN enable
START : MVI    A, 04H    ; ECNT free running
        MOV    ETMM, A    ; Set timer/event counter mode & start
    
```

> <a>

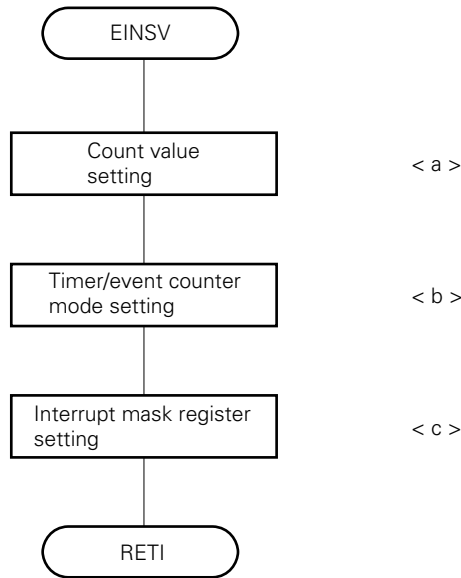
>

> <c>

> <d>

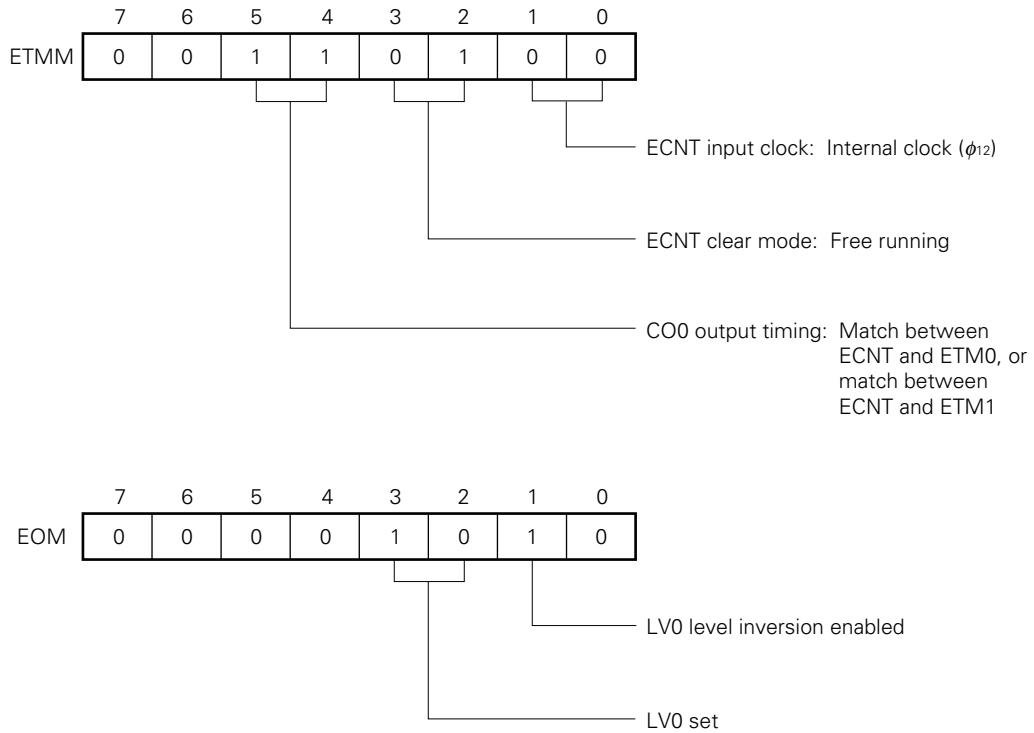
After initialization, when the CI input falls the value of the free running ECNT (the value at the time of the CI input fall) is latched in the ECPT (TIMER/EVENT COUNTER CAPTURE REG) and an internal interrupt (INTEIN) is generated.

The operation flow for the servicing of this interrupt is shown below.



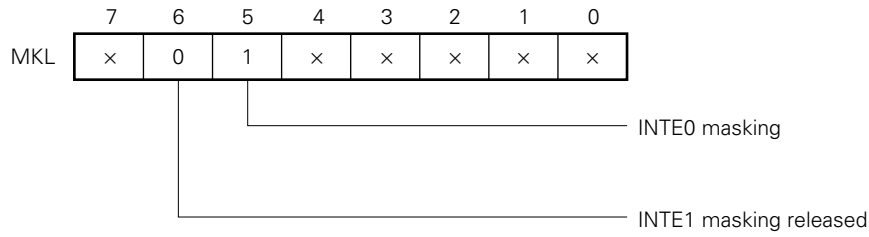
- <a> 100 μ s after the fall of the CI input, a pulse with a width of 200 μ s is output to the CO0 pin, and thus the value obtained by adding 0064H (100 μ s) to the ECPT value is set in ETM0, and the value obtained by adding 012CH (300 μ s) to the ECPT value is set in ETM1 (at 12 MHz operation).
- CO0 output timing is specified by setting the timer/event counter mode register (ETMM) to a match between ECNT and ETM0 or between ECNT and ETM1.
The ECNT input clock and ECNT clear mode are kept as they are.
LV0 of the output control circuit is set and LV0 level inversion enabled by setting the timer/event counter output mode register (EOM).

Figure 6-24. Timer/Event Counter Mode Register Setting (Single Pulse Output: CO0 Output Timing Setting)



- <c> Masking of interrupts (INTE1) generated by a match between ECNT and ETM1 is released by setting the interrupt mask register (MKL). INTE0 interrupts, which have the same priority as INTE1 interrupts, must be masked.

Figure 6-25. Interrupt Mask Register (MKL) Setting (Single Pulse Output: INTE1 Mask Release)



The INTEIN interrupt service program is shown below.

A JMP EINSV instruction must be stored in the INTEIN interrupt start address (0020H).

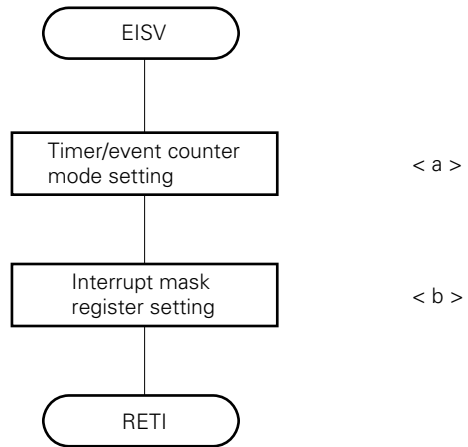
```

;***TIMER/EVENT COUNTER SERVICE*****
EINSV : EXA          ; Save accumulator
        EXX          ; Save register
        DMOV EA, ECPT
        LXI B, 0064H
        DADD EA, B    ; Low level : 100 μs at 12 MHz
        DMOV ETM0, EA ; Set count value
        LXI B, 00C8H
        DADD EA, B    ; High level : 200 μs at 12 MHz
        DMOV ETM1, EA ; Set count value
        MVI A, 34H
        MOV ETMM, A
        ORI EOM, 0AH ; Set level F/F, inversion enable
        ANI MKL, 0BFH ; INTEIN, INTE1 enable
        EXX          ; Recover register
        EXA          ; Recover accumulator
        EI
        RETI
    
```



After the interrupt service program by INTEIN, an internal interrupt (INTE1) is generated when the contents of ECNT and ETM1 are the same.

The flowchart of this interrupt processing is shown below.



- <a> CO0 output operation is stopped by setting the timer/event counter output mode register (EOM).
 INTE1 interrupts are masked (disabled) by setting the interrupt mask register (MKL).

```

;***TIMER/EVENT COUNTER SERVICE*****
E1SV : MVI    EOM, 00H           <a>
       ORI    MKL, 40H    ; INTE1 disable  <b>
       EI
       RETI
  
```

[MEMO]

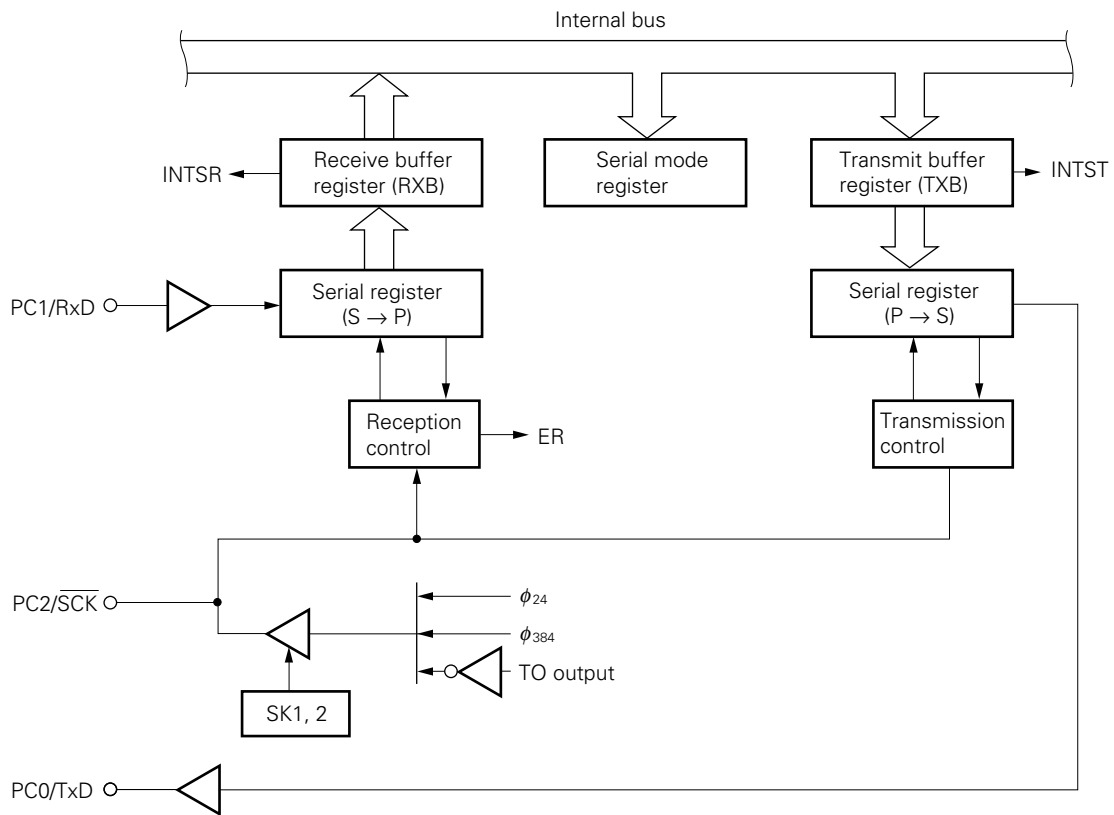
CHAPTER 7 SERIAL INTERFACE FUNCTIONS

The μ PD78C18 is equipped with a serial interface which allows distributed processing and the connection of various kinds of terminals. This serial interface has three operation modes; asynchronous mode, synchronous mode, and I/O interface mode.

7.1 Serial Interface Configuration

As shown in Figure 7-1, the serial interface consists of three pins, the serial data input (RxD), serial data output (TxD) and serial clock input/output ($\overline{\text{SCK}}$); a transmission unit and reception unit each equipped with an 8-bit serial register, a buffer register, and transmission/reception control; and a mode register which specifies the operation mode.

Figure 7-1. Serial Interface Configuration



Remark $\phi_{24} = f_{XX} \times \frac{1}{24}$

$$\phi_{384} = f_{XX} \times \frac{1}{384}$$

f_{XX} : Oscillator frequency (MHz)

(1) Transmission unit(a) Serial register ($P \rightarrow S$)

This register converts parallel data transferred from the transmit buffer register into serial data and transmits it from the TxD pin.

(b) Transmit buffer register

This register is used to write the parallel data to be transmitted; when serial register data transmission ends the contents of the transmit buffer register are transferred to the serial register. When the buffer register becomes empty an interrupt request (INTST) is generated.

(c) Transmission control circuit

This circuit performs all control required for serial data transmission, and generates related internal signals.

(2) Reception unit(a) Serial register ($S \rightarrow P$)

This register converts serial data input from the RxD pin into parallel data and transfers it to the receive buffer register.

(b) Receive buffer register

Parallel data converted by the serial register is transferred to this register. When the receive buffer register becomes full an interrupt request (INTSR) is generated.

(c) Reception control circuit

This circuit performs all control required for serial data reception, and also sets the ER flag if a serial error is generated. The ER flag can be checked by an SKIT instruction. Resetting the ER flag does not affect the receive buffer.

(3) Serial mode registers

These are two 8-bit registers which control the operating mode of the serial interface (see **7.2 Serial Mode Registers** for details).

As the serial interface has a serial register and a buffer for send and receive operations, it can send and receive data independently (full duplex double buffer method transmitter/receiver). However, as the serial clock (\overline{SCK}) is used for both send and receive operations, a half duplex method is employed in the synchronous mode and the I/O interface mode.

7.2 Serial Mode Registers

These are two 8-bit registers which specify the serial interface operation mode, serial clock, data format, etc.

7.2.1 Serial mode high register (SMH)

The individual bits of the serial mode high register are used to specify the operating mode as shown below. The configuration of this register is shown in Figure 7-2.

(1) SK1, SK2 (bits 0 & 1)

These bits specify whether an internal clock or external clock is used as the serial clock (\overline{SCK}).

When an internal clock is specified as the serial clock, the serial clock value is determined by the following expressions,

For internal clock (ϕ_{24})

$$\overline{SCK} = \frac{f_{xx}}{24}$$

For internal clock (ϕ_{384})

$$\overline{SCK} = \frac{f_{xx}}{384}$$

For TO output used as internal clock

When the timer input clock is ϕ_{12}

$$\overline{SCK} = \frac{f_{xx}}{24 \times C}$$

When the timer input clock is ϕ_{384}

$$\overline{SCK} = \frac{f_{xx}}{768 \times C}$$

When the timer F/F input is ϕ_3

$$\overline{SCK} = \frac{f_{xx}}{6}$$

where f_{xx} is the oscillator frequency, \overline{SCK} is the serial clock, and C is the timer count value:

When the timer F/F input is ϕ_3 when the TO output is used as the internal clock, the clock can only be used in asynchronous mode when the clock rate is 16 or 64.

(2) TxE (bit 2)

This bit determines whether or not the operation is a transmit operation. When the TxE bit is reset (0) the TxD pin is driven high and data transmission is not performed. When the TxE bit is set (1), data transmission is enabled and if data has previously been written into the transmit buffer register, that data is output. Alternatively, when data is written into the transmit buffer register, serial data is transmitted from the TxD pin.

However, when the TxE bit is changed from the set (1) status to the reset (0) status, transmission is disabled after the data in the serial register has been transmitted. Therefore, when there is data in both the transmit buffer register and the serial register, transmission is disabled after the serial register data has been transmitted, and the transmit buffer register data is retained without being transmitted. The data in the transmit buffer register is transmitted as serial data when transmission is next enabled (TxE=1).

Thus, when transmission is to be disabled (TxE=0) after all transmit data has been transmitted, it is necessary to check that the serial transmission interrupt request flag (INTFST) is set (1) and the transmit buffer register is empty before executing the operation.

(3) RxE (bit 3)

Controls whether or not a receive operation is performed. When the RxE bit is reset (0), data reception is not performed. When the RxE bit is set (1), data reception is enabled.

(4) SE (bit 4)

Controls whether or not search mode is entered in synchronous mode (set by SML).

When the SE bit is set (1), the serial register contents are transferred to the receive buffer register and a serial reception interrupt (INTSR) is generated each time a data bit is received. When the SE bit is reset (0), the serial register contents are transferred to the receive buffer register and a serial reception interrupt (INTSR) is generated each time 8 data bits are received.

(5) IOE (bit 5)

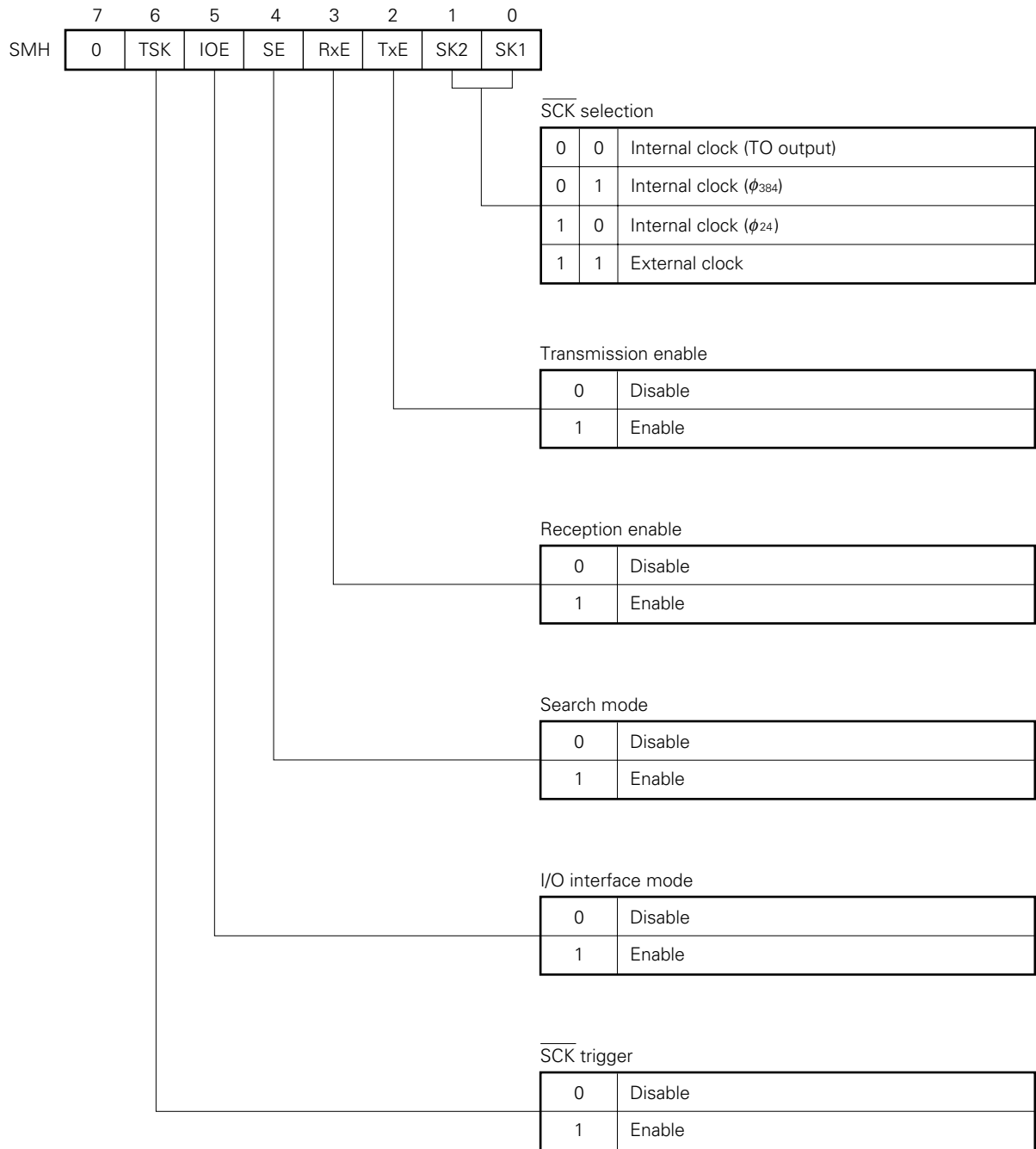
Controls whether the synchronous mode or I/O interface mode is entered in the case of synchronous operation (set by SML). The synchronous mode is selected when the IOE bit is reset (0), and the I/O interface mode is selected when the IOE bit is set (1).

(6) TSK (bit 6)

This bit is used to start the serial clock when data is received using an internal clock in the I/O interface mode. When the TSK bit is set (1) and the serial clock is started, this bit is automatically reset (0).

The serial mode high register (SMH) is reset to 00H by $\overline{\text{RESET}}$ input and in the hardware STOP mode.

Figure 7-2. Serial Mode High Register (SMH) Format



7.2.2 Serial mode low register (SML)

The individual bits of the serial mode low register are used to specify the operating mode as shown below. The configuration of this register is shown in Figure 7-3.

(1) B1 & B2 (bits 0 & 1)

These bits determine asynchronous mode and synchronous operation switching and the data rate in the synchronous mode. In the asynchronous mode the serial clock is divided by the clock rate specified by these bits and used for data transfer.

For synchronous operation, the B1 and B2 bits are set to "00".

(2) L1 & L2 (bits 2 & 3)

These bits specify the number of bits comprising a character.

(3) PEN (bit 4)

This bit determines whether odd/even parity is added to the transfer data and whether an odd/even parity check is made on the transfer data.

When the PEN bit is set (1), a parity bit is added to each character before transmission, and a parity check is performed during reception; if a parity error is generated the error flag is set.

When the PEN bit is reset (0), parity addition and checking is not performed.

(4) EP (bit 5)

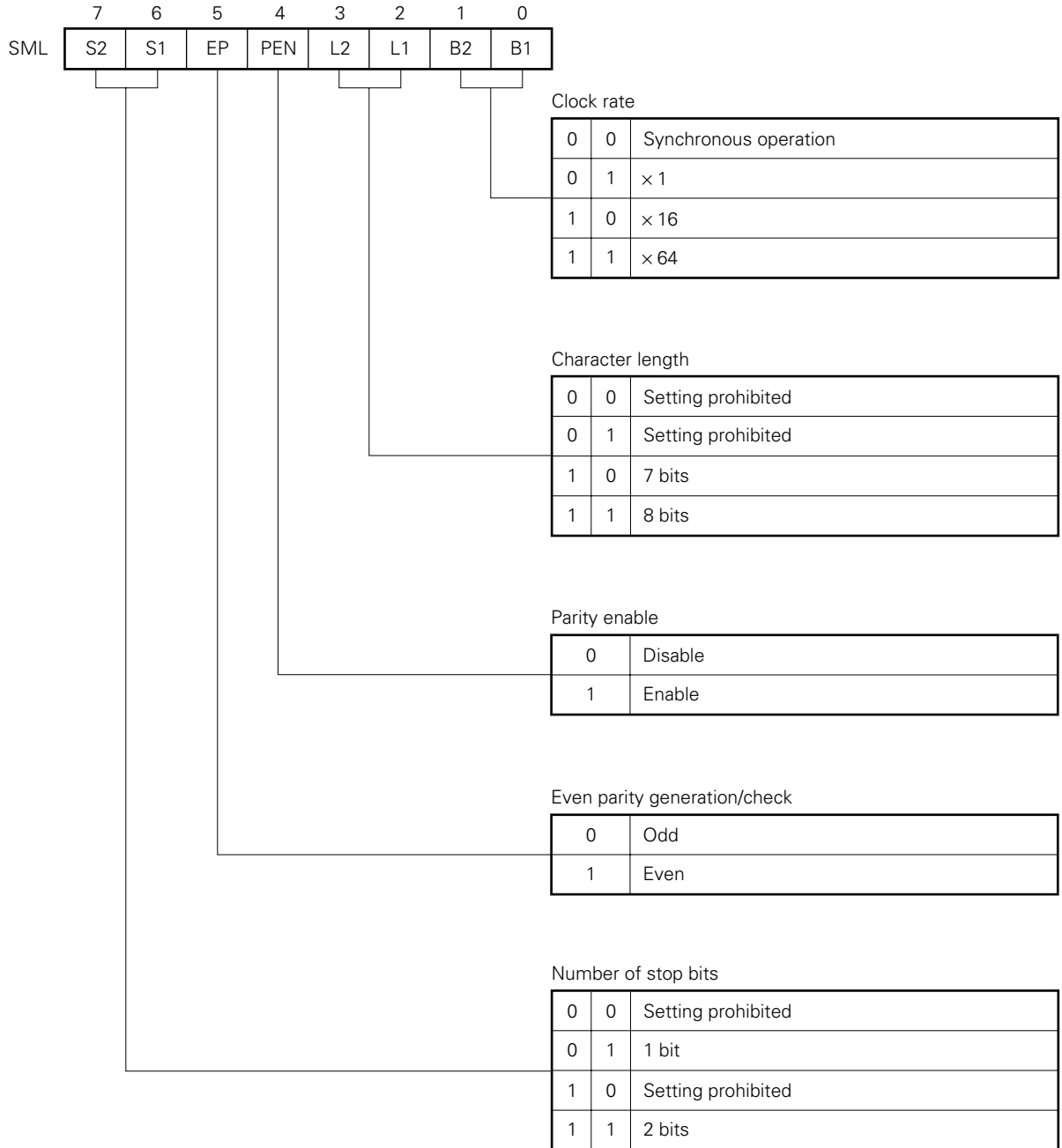
This bit controls whether odd or even parity is used. Even parity is used when the EP bit is set (1), and odd parity when reset (0).

The EP bit is only valid when the PEN bit is set (1).

(5) S1 & S2 (bits 6 & 7)

These bits control the number of stop bits transmitted in the asynchronous mode.

Figure 7-3. Serial Mode Low Register (SML) Format



The serial mode low register (SML) is set to 48H by $\overline{\text{RESET}}$ input and in the hardware STOP mode.

7.2.3 Serial mode register initialization

The following procedure should be used for serial mode register initialization.

- <1> Set the mode to be used in the SMH register while the TxE bit and RxE bit are both "0" (transmission and reception disabled).
- <2> Set the SML register.
- <3> When the TO output is used as the serial clock, perform timer mode setting (unless the timer mode has already been specified).
- <4> Set the port C pins to be used for the serial interface to control mode.
- <5> Enable transmission or reception by manipulating the SMH register.

7.3 Serial Interface Operation

The μ PD78C18 serial interface has 3 operation modes: Asynchronous (start/stop) mode, synchronous mode, and I/O interface mode.

Each of these modes is described below.

7.3.1 Asynchronous mode

In the asynchronous mode transmission/reception is performed by means of start/stop bits, with data bit synchronization and character synchronization performed by means of the start bit.

When data transmission/reception is performed in this mode, the transmission/reception parameters (character length, clock rate, number of stop bits odd/even parity, serial clock, transmission/reception enabling, etc.) are set in the serial mode register (SMH and SML) as shown in Figure 7-4.

Figure 7-4. Serial Mode Register Format in Asynchronous Mode (1/2)

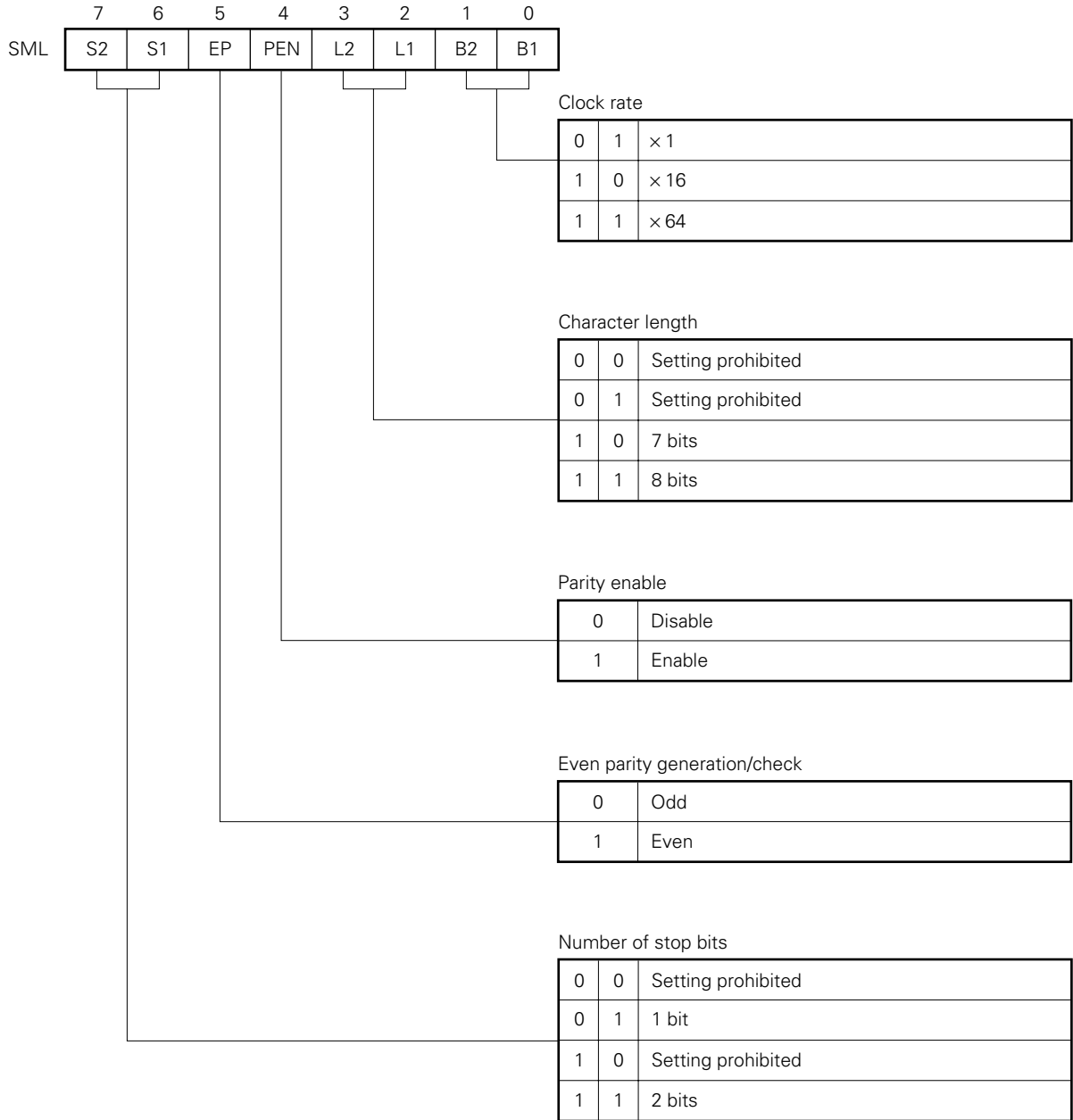
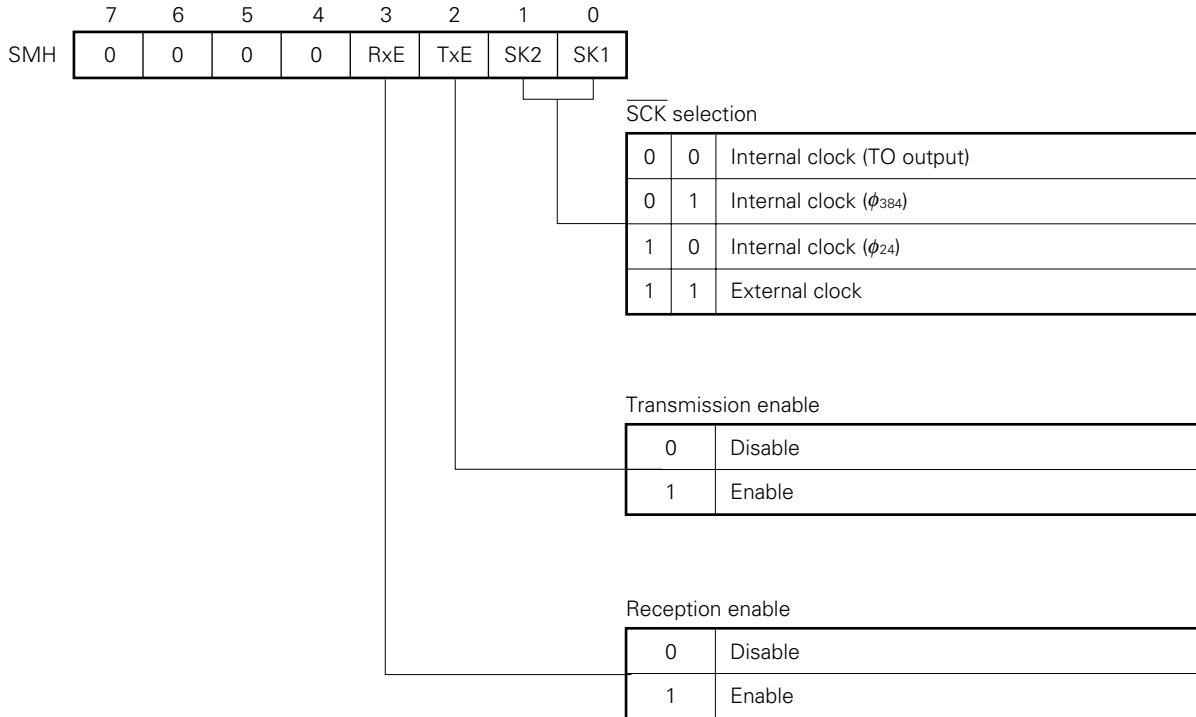


Figure 7-4. Serial Mode Register Format in Asynchronous Mode (2/2)



When an internal clock is specified as the serial clock (\overline{SCK}), the data transfer rate is determined from the oscillator frequency and the clock rate by the following expressions, where f_{xx} is the oscillator frequency, N is the clock rate (1, 16, 64), C is the timer count value, and B is the data transfer rate:

For internal clock (ϕ_{24})

$$B = \frac{f_{xx}}{24 \times N}$$

For internal clock (ϕ_{384})

$$B = \frac{f_{xx}}{384 \times N}$$

For TO output used as internal clock

When the timer input clock is ϕ_{12}

$$B = \frac{f_{xx}}{24 \times N \times C}$$

When the timer input clock is ϕ_{384}

$$B = \frac{f_{xx}}{768 \times N \times C}$$

When the timer F/F input is ϕ_3

$$B = \frac{f_{xx}}{6 \times N}$$

When the timer F/F input is ϕ_3 when the TO output is used as the internal clock, the clock can only be used when the clock rate is 16 or 64.

When TIMER0 is used and the clock rate is 16, the set values of the timer mode register (TMM) and the serial mode registers (SML, SMH) are as follows:

TMM : xxx00000B
 SML : xxxxxx10B
 SMH : 0000xx00B
 (x: Set by user)

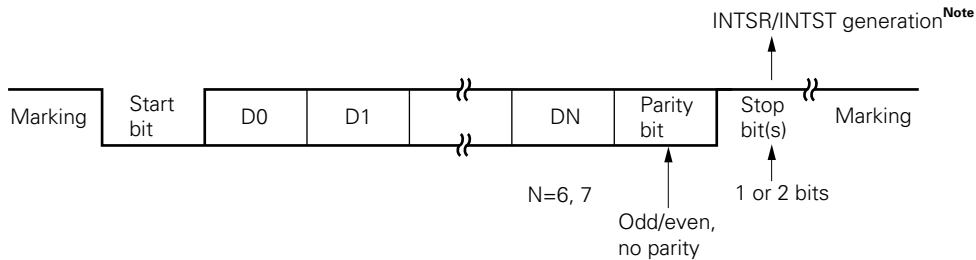
When the TO output is specified as the internal clock and the input clock to the timer is used as the internal clock (ϕ_{12}), the timer count values shown in Table 7-1 are set to perform transmission/reception at data transfer rates of 110 to 9600 bps.

Table 7-1. Timer Setting

Oscillator Frequency (MHz)	7.3728		11.0592		14.7456	
	N	16	64	16	64	16
9600	C= 2	—	C= 3	—	C= 4	C= 1
4800	4	C= 1	6	—	8	2
2400	8	2	12	C= 3	16	4
1200	16	4	24	6	32	8
600	32	8	48	12	64	16
300	64	16	96	24	128	32
150	128	32	192	48	256	64
110	175	44	262	65	370	88

The data format in asynchronous mode is shown in Figure 7-5.

Figure 7-5. Asynchronous Data Format



Note INTSR is generated by the first stop bit. INTST is generated by the first bit when there is only one stop bit, and by the second bit when there are two stop bits.

(1) Data transmission

A transmit operation in the asynchronous mode is enabled by setting (1) the TxE bit of the serial data high register (SMH).

When data is written to the transmit buffer register by the MOV TXB, A instruction and the previous data transfer is terminated, the transmit buffer register contents are automatically transferred to the serial register.

The start bit (1 bit), the parity bit (odd/even, no parity) and the stop bit (s) (1 or 2 bits) are automatically added to the data transferred to the serial register, and the data is then transmitted LSB-first from the TxD pin. When the transmit buffer register becomes empty, a serial transmission interrupt (INTST) is generated.

Serial transmission interrupts are disabled by setting (1) the MKST bit of the interrupt mask register (MKH).

When the transmit buffer register is full, when the next data write is performed the previous data is corrupted. Therefore, when writing data to the transmit buffer register, it is necessary to check that the serial transmission interrupt request flag (INTFST) is set (1) and the transmit buffer register is empty before executing the operation.

When the TxE bit is "0" or when the serial register contains no data to be transmitted, the TxD pin assumes the mark status (1).

Transmit data is transmitted on the falling edge of \overline{SCK} from the TxD pin with a clock rate of serial clock $\times 1$, $\times \frac{1}{16}$ or $\times \frac{1}{64}$.

The maximum data transfer rate in transmission is set as shown in Table 7-2 according to \overline{SCK} and the clock rate at 15 MHz operation.

Caution When TxE changes from 0 to 1 (transmission enabled) while the transmit buffer register is empty, INTST is generated.

Table 7-2. Maximum Data Transfer Rate at Transmission

Clock Rate / \overline{SCK}	Internal Clock		External Clock	
	\overline{SCK}	Data Transfer Rate	\overline{SCK}	Data Transfer Rate
$\times 1$	625 kHz	625 kbps	1.25 MHz	1.25 Mbps
$\times 16$	2.5 MHz	156 kbps	2.5 MHz	156 kbps
$\times 64$		39.1 kbps		39.1 kbps

(2) Data reception

A receive operation is enabled by setting (1) the RxE bit of the serial mode high register (SMH).

The start bit is confirmed by detecting a low level RxD input and then detecting the low level again after a 1/2 bit time. This is effective in preventing errors due to noise in the mark state. Reception is performed by sampling the center of the subsequent character bits, parity bit and stop bit.

Remark The 1/2 bit timer for each clock rate is as follows:

- $\times 1$: 1/2 \overline{SCK} clock pulse
- $\times 16$: 8.5 \overline{SCK} clock pulse
- $\times 64$: 32.5 \overline{SCK} clock pulse

When the prescribed data is input from the RxD pin to the serial register, data is transferred to the receive buffer register. When the receive buffer register becomes full, an interrupt request (INTSR) is generated. Serial reception interrupts are disabled by setting (1) the MKSR bit of the interrupt mask register (MKH). An odd/even parity check is made in data reception (when the PEN bit=1). If there is a mismatch (parity error), the stop bit is low (framing error), or the next data is transferred to the receive buffer when the receive buffer is full (overrun error), the error flag is set.

However, because no error interrupt feature is provided, testing must be performed by skip instructions (SKIT or SKNIT) in the program.

When an error is generated, also, an overrun error will be generated again in the next receive operation if the RXB data is not read.

The maximum data transfer rate in reception is set as shown in Table 7-3 according to \overline{SCK} and the clock rate at 15 MHz operation

Table 7-3. Maximum Data Transfer Rate at Reception

Clock Rate \ \overline{SCK}	Internal Clock		External Clock	
	\overline{SCK}	Data Transfer Rate	\overline{SCK}	Data Transfer Rate
× 1 Note 2	625 kHz	625 kbps	830 kHz 1.25 MHz	830 kbps 1.25 Mbps Note 1
× 16	2.5 MHz	156 kbps	2.5 MHz	156 kbps
× 64		39.1 kbps		39.1 kbps

Notes 1. When data is received at transfer rates between 830 kbps and 1.25 Mbps, 2 stop bits are necessary.

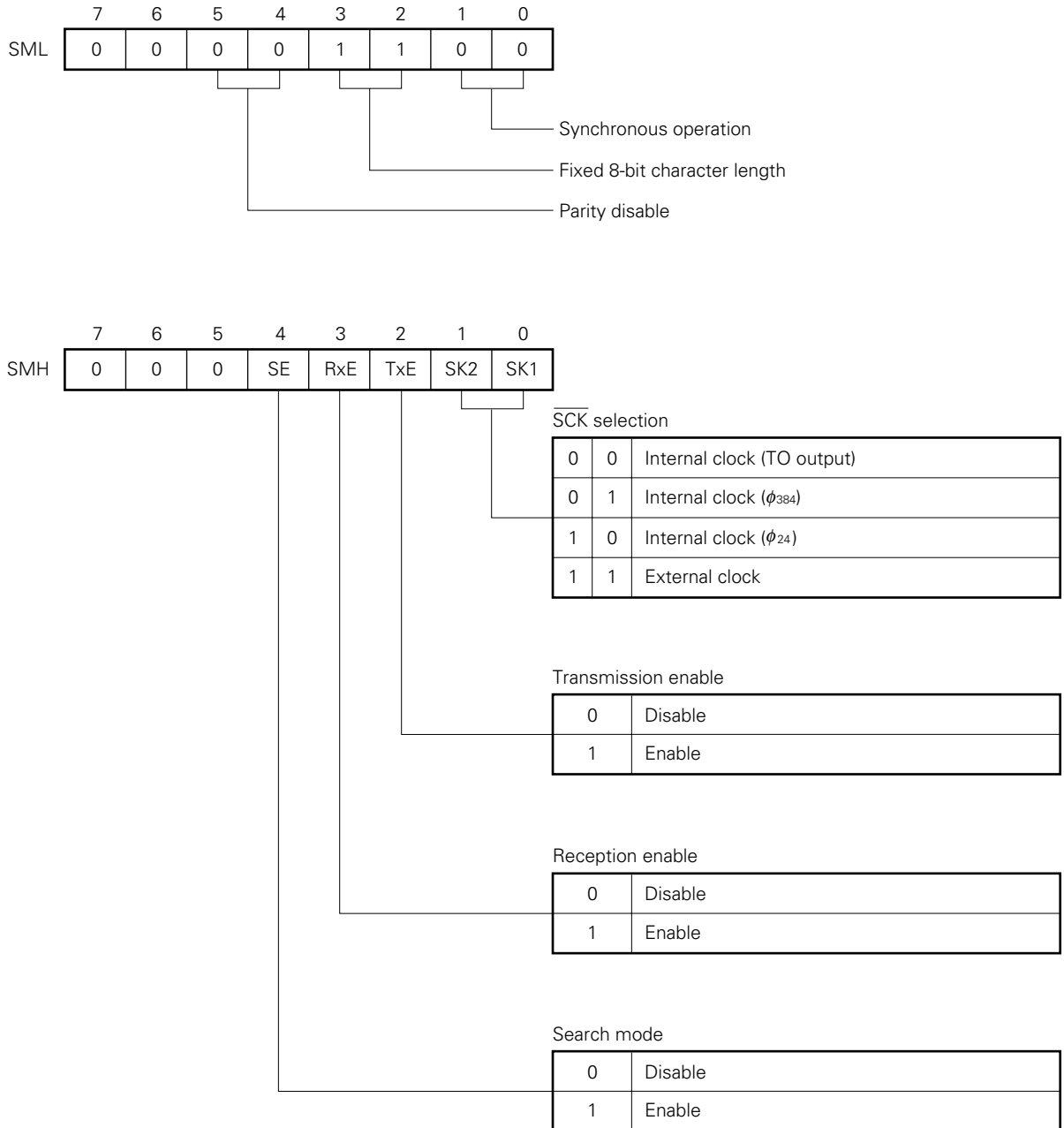
2. At the × 1 clock rate, RxD must input a signal synchronized with \overline{SCK} .

7.3.2 Synchronous mode

In the synchronous mode, character synchronization is implemented by means of synchronization characters, and bit synchronization by means of the serial clock.

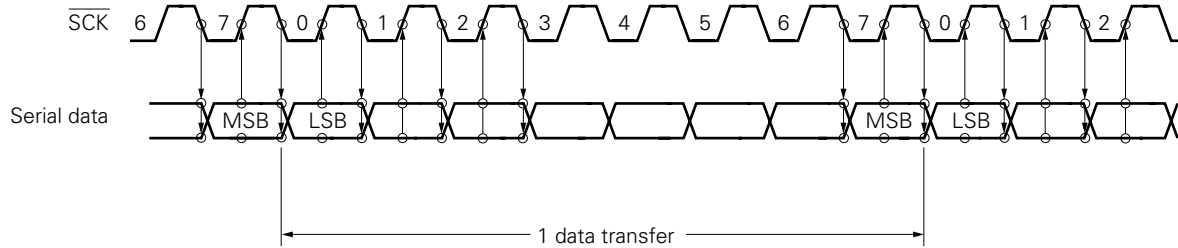
In this mode, data is transferred with a fixed character length of 8 bits with no parity bit. The serial mode register settings are therefore as shown in Figure 7-6.

Figure 7-6. Serial Mode Register Format in Synchronous Mode



In the synchronous mode, as shown in Figure 7-7, the transmit data has a fixed character length of 8 bits with no parity bit, and is transferred LSB-first on the falling edge of the serial clock (\overline{SCK}). Receive data is input on the rising edge of \overline{SCK} .

Figure 7-7. Synchronous Mode Timing



(1) Data transmission

A transmit operation in the synchronous mode is enabled by setting (1) the TxE bit of the serial mode high register (SMH).

When data is written to the transmit buffer register by a MOV TXB, A instruction and the previous data transfer is terminated, the transmit buffer register contents are transferred to the serial register, converted into serial data, and transmitted LSB-first from TxD in synchronization with the falling edge of \overline{SCK} . Serial data is transmitted at the same rate as \overline{SCK} .

When data is transferred from the transmit buffer register to the serial register and the transmit buffer register becomes empty, an interrupt request (INTST) is generated.

Serial transmission interrupts are disabled by setting (1) the MKST bit of the interrupt mask register.

When the TxE bit is "0" or when the serial register contains not data to be transmitted, the TxD pin assumes the mark status (1).

However, when an external clock is used, the mark status is assumed after output of a 1-bit low-level pulse. The maximum data transfer rate in transmission is 625 kbps when an internal clock is used as \overline{SCK} , and 1.25 Mbps when an external clock is used (at 15 MHz operation).

(2) Data reception

A receive operation in the synchronous mode is enabled by setting (1) the RxE bit of serial mode high register (SMH). Receive data is input on the rising edge of \overline{SCK} .

Two kinds of receive operations are available in the synchronous mode and can be controlled by the SE bit of the serial mode high register (SMH).

When the SE bit is set (1), the search mode is set. Each time one bit is sent to the MSB of the serial register from the RxD pin, the serial register contents are transferred to the receive buffer register and a serial reception interrupt (INTSR) is generated. Since the μ PD78C18 is not provided with a circuit for detecting synchronization characters by hardware, it is necessary to detect the synchronization characters by software. When a synchronization character is detected and reception is synchronized, the SE bit is reset (0).

Resetting (0) the SE bit sets the character reception mode. Each time 8-bit data is received, the serial register contents are transferred to the receive buffer register and a serial reception interrupt (INTSR) is generated. Serial reception interrupts are disabled by setting (1) the MKSR bit of the interrupt mask register (MKH).

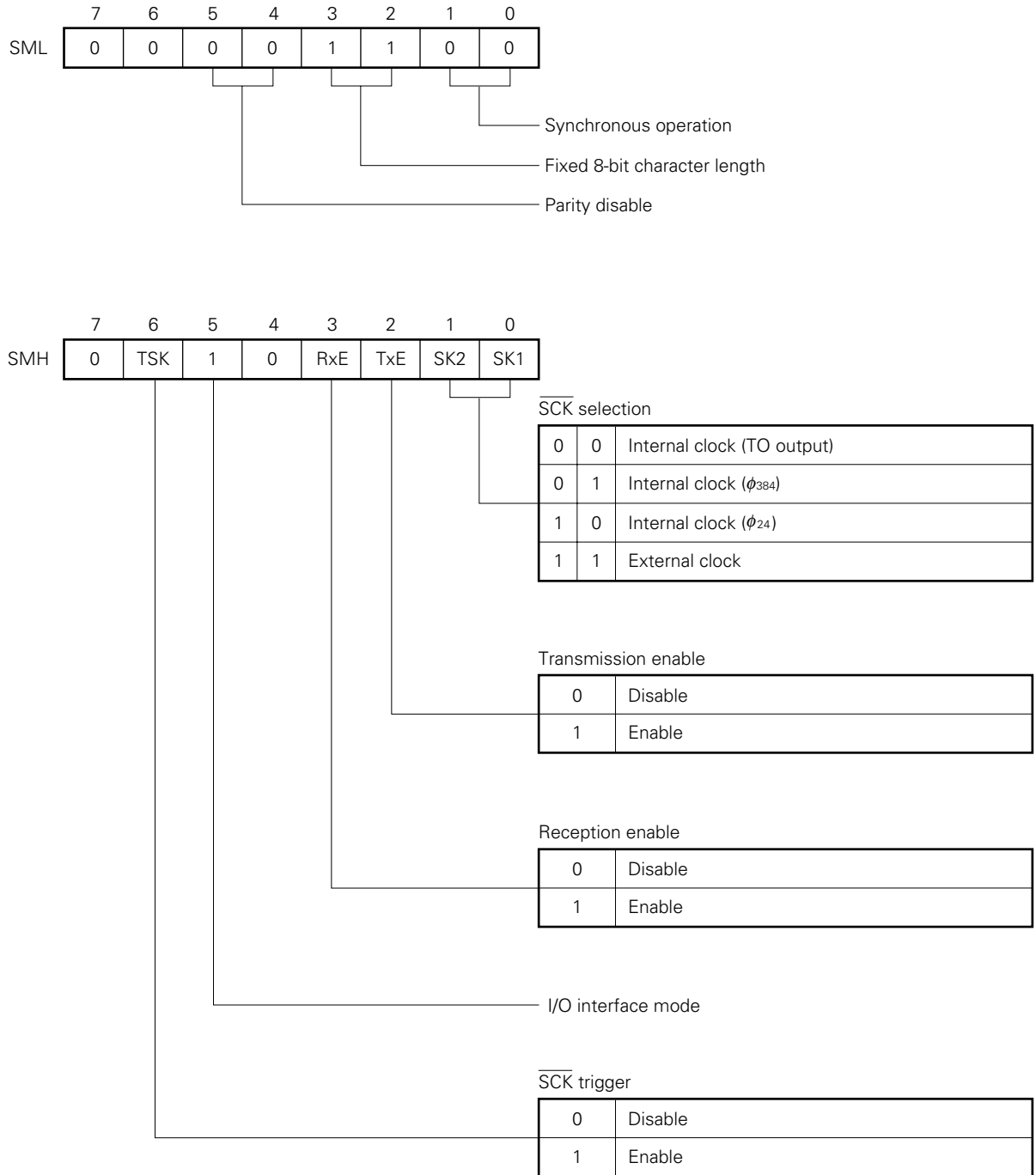
The maximum data transfer rate in reception is 625 kbps when an internal clock is used as \overline{SCK} , and 1.25 Mbps when an external clock is used (at 15 MHz operation).

7.3.3 I/O interface mode

In the I/O interface mode, synchronization is implemented by the controlled serial clock, as with the serial data transfer method of the μ PD7801, μ PD78C06A, etc.

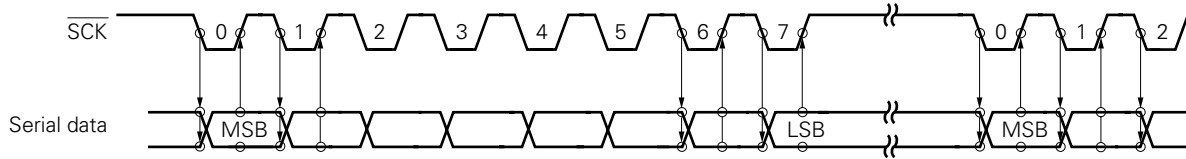
In this mode, data is transferred/received with a fixed character length of 8 bits with no parity bit. The serial mode register settings are therefore as shown in Figure 7-8.

Figure 7-8. Serial Mode Register Format in I/O Interface Mode



In the I/O interface mode, the transmit data (TxD) is transferred MSB-first on the falling edge of the serial clock ($\overline{\text{SCK}}$). Receive data (RxD) is input on the rising edge of $\overline{\text{SCK}}$.

Figure 7-9. I/O Interface Mode Timing



In this mode character synchronization is implemented using the controlled $\overline{\text{SCK}}$ (8 serial clock pulses). An external clock or internal clock can be selected as $\overline{\text{SCK}}$ by means of the serial mode high register. When an internal clock is used as $\overline{\text{SCK}}$, the controlled clock (8 pulses per data item) is output from the $\overline{\text{SCK}}$ pin. When an external clock is used as $\overline{\text{SCK}}$, 8 clock pulses should be accurately supplied to $\overline{\text{SCK}}$ as the single data item transfer (8-bit) unit by the control signal supply source.

Caution In the I/O interface mode, one pulse is output at low level from the TxD pin at the time of changing from the transmit enable state to receive enable state (transmit disable).

(1) Data transmission

A transmit operation in the I/O interface mode is enabled by setting (1) the TxE bit of the serial mode high register.

When data is written to the transmit buffer register by a MOV TXB, A instruction and the previous data transfer is terminated, the transmit buffer register contents are transferred to the serial register. When $\overline{\text{SCK}}$ is an internal clock, when the data is transferred to the serial register a controlled $\overline{\text{SCK}}$ (8 pulses for one data item) is automatically generated and the transmit data is sent MSB-first on the $\overline{\text{SCK}}$ falling edge.

When an external clock is used, the transmit data is sent MSB-first on the falling edge of the controlled $\overline{\text{SCK}}$ input to $\overline{\text{SCK}}$.

In this mode, synchronization is implemented by means of a controlled $\overline{\text{SCK}}$ (8 serial clock pulses), and $\overline{\text{SCK}}$ should be driven high except during a data transfer.

When the transmit buffer register becomes empty, a serial transmission interrupt (INTST) is generated.

Serial transmission interrupts are disabled by setting (1) the MKST bit of the interrupt mask register (MKH).

The maximum data transfer rate in transmission is 625 kbps when an internal clock is used as $\overline{\text{SCK}}$, and 1.25 Mbps when an external clock is used (at 15 MHz operation).

(2) Data reception

A receive operation in the I/O interface mode is enabled by setting (1) the RxE bit of the serial mode high register (SMH), and receive data (RxD) is input to the serial register in order from MSB on the rising edge of $\overline{\text{SCK}}$.

When the serial register receives 8-bit data, the data is transferred from the serial register to the receive buffer register and a serial reception interrupt (INTSR) is generated.

When $\overline{\text{SCK}}$ is an external clock, the data sent in synchronization with $\overline{\text{SCK}}$ is input to the serial register on the rising edge of $\overline{\text{SCK}}$.

When $\overline{\text{SCK}}$ is an internal clock, it must be started by setting (1) the TSK bit of the serial mode high register (SMH).

Serial reception interrupts are disabled by setting (1) the MKSR bit of the interrupt mask register (MKH). The maximum data transfer rate in reception is 625 kbps when an internal clock is used as $\overline{\text{SCK}}$, and 660 kbps when an external clock is used (at 15 MHz operation). The high-level width of the 8th $\overline{\text{SCK}}$ pulse must be at least 6 states.

Caution 1. When fewer than 8 external clock pulses are input (in transmission)

The correction procedure is shown below for the case where fewer than 8 external clock pulses are input when performing transmission/reception in the I/O interface mode using external clock input.

- (1) TxE bit reset to "0" : Disable transmission
- (2) Change MC register
 - MC (2) → set to "1" : Set to input port
 - MC (0) → reset to "0" : Outputs high level
 - PC (0) → set to "1" : Set to output port
- (3) Change MMC register
 - MMC (2) → reset to "0" : $\overline{\text{SCK}}$ pin set to port mode
 - MMC (0) → reset to "0" : TxD pin set to port mode
- (4) Change SMH
 - SK1 = 0 or SK1 = 1 : Set to internal clock mode
 - SK2 = 1 SK2 = 0
- (5) MKST bit → set to "1" : Mask INTST
- (6) INTFST flag → reset to "0"
- (7) TxE bit → set to "1" : Enable transmission and start output of remaining serial register data
- (8) Test FST flag : Wait until FST is set to "1"
- (9) SK1 & SK2 bits → set to "1" : Set to external clock
- (10) To initial setting of MCC, MC MKST

Caution 2. When fewer than 8 external clock pulses are input (in reception)

- (1) RxE bit → reset to "0" : Disable reception
- (2) MC (2) → set to "1" : Set to input port
- (3) MMC (2) → reset to "0" : $\overline{\text{SCK}}$ pin set to port mode
- (4) Change SMH
SK1 = 0 or SK1 = 1 : Set to internal clock mode
SK2 = 1 SK2 = 0
- (5) MKSR bit → set to "1" : Mask INTSR
- (6) INTFSR flag → reset to "0"
- (7) RxE bit → set to "1" : Enable reception
- (8) $\overline{\text{SCK}}$ trigger bit → set to "1" : Start internal clock and start remaining control count
- (9) Test FSR flag : Wait until FSR is set to "1"
- (10) SK1 & SK2 bits → set to "1" : Set to external clock
- (11) To initial setting of MCC, MC, RxE, MKSR

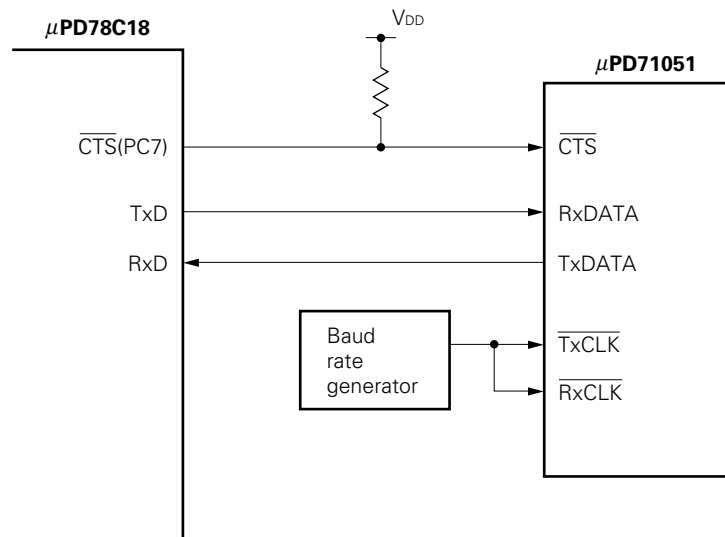
7.3.4 Example of serial interface program

In the following example of serial interface programming, data is exchanged with a μ PD71051 in the asynchronous mode.

This example uses the following parameters: μ PD78C18 oscillator frequency of 11.0592 MHz, TO output internal clock used as the serial clock, 110 bps data transfer rate, clock rate of 16, 8-bit character length, 2 stop bits, and even parity enabled.

An example of the system configuration is shown in Figure 7-10. Three lines are necessary for serial data transfer, the TxD and RxD serial data input and output lines, and the $\overline{\text{CTS}}$ (clear to send) control line. In this example, PC7 is functions as the $\overline{\text{CTS}}$ control line which is used when the μ PD78C18 receives data. As PC7 is in input port mode from resetting until the mode is set, "1" is written to the PC7 output latch before it is pulled high with a pull-up resistor and set as an output port.

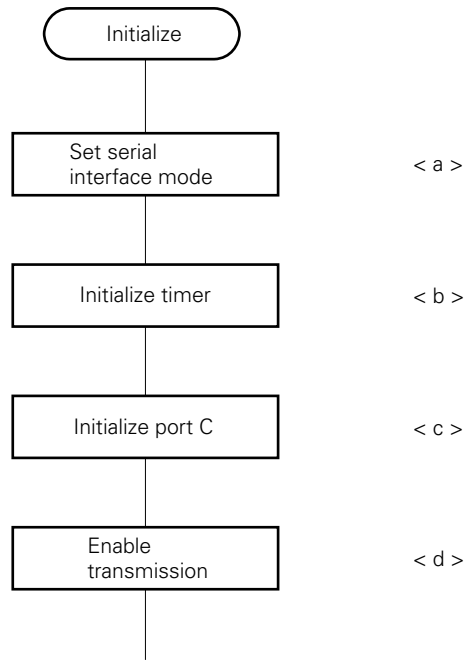
Figure 7-10. Example of Serial Data Transfer System Configuration



(1) Initialization

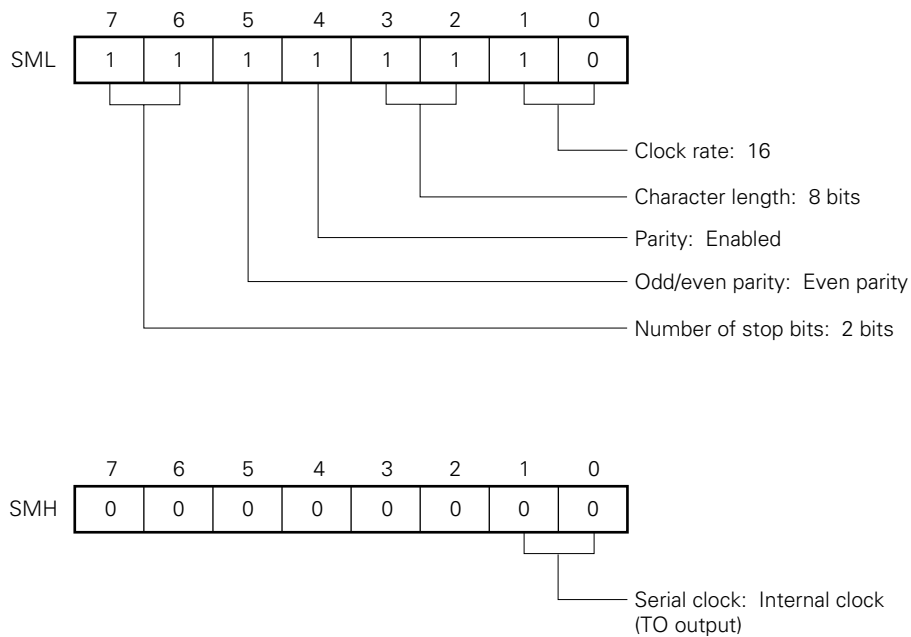
The serial mode registers, timer, port C, etc., must be initialized in advance to allow μ PD78C18 serial data transmission/reception.

The operation flow is shown below.



<a> The parameters required for serial data transmission/reception (character length, clock rate, number of stop bits, odd/even parity, serial clock) are set in the serial mode registers.

Figure 7-11. Serial Mode Register Setting



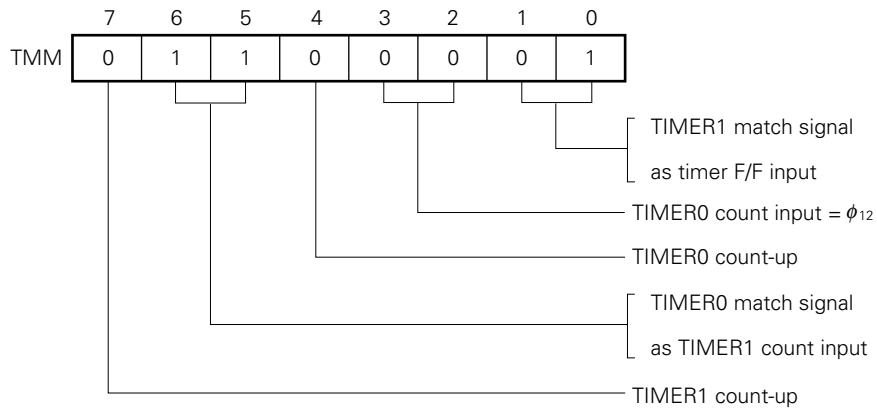
 Since the timer TO output is being used as the serial clock (\overline{SCK}), setting of the timer count value and timer operation is performed. As an oscillator frequency of 11.0592 MHz, data transfer rate of 110 bps and clock rate of 16 are used here, the count value is found from Table 7-1 or the following expression to be 262.

$$C = \frac{f_{xx}}{24 \times N \times B}$$

- f_{xx} : Oscillator frequency
- N : Clock rate
- B : Data transfer rate
- C : Count value

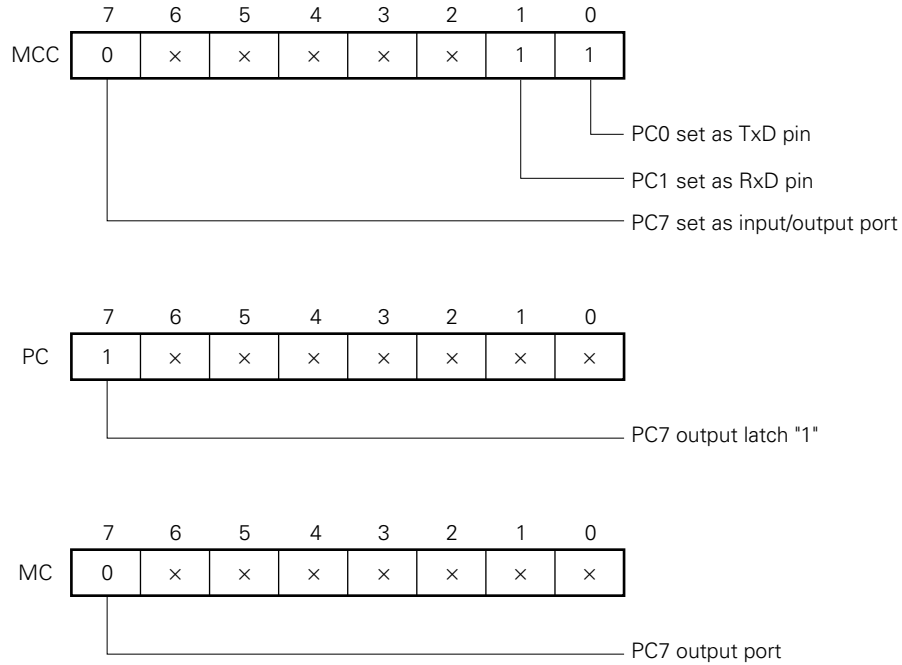
Since the count value is greater than 255 (FFH), TIMER0 and TIMER1 are cascaded: 131 (83H) is set in TM0 (timer register) and 2 (02H) in TM1. Since TIMER0 and TIMER1 are cascaded, the timer mode register (TMM) settings are as shown in Figure 7-12.

Figure 7-12. Timer Mode Register Setting



<c> Port C settings are performed as follows: PC0 as TxD pin, PC1 as RxD pin, PC7 as output port, and PC7 set to output a high-level signal.

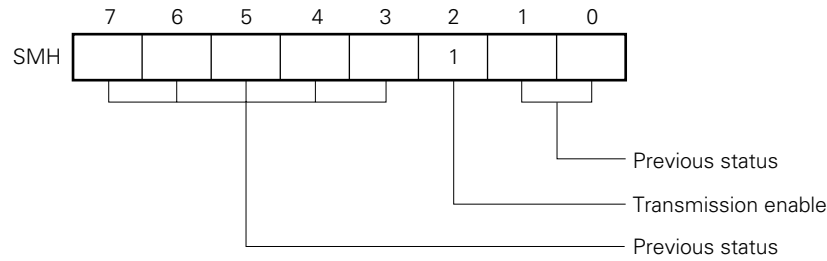
Figure 7-13. Port C Setting (Serial Interface)



When \overline{SCK} of the μ PD78C18 is output off chip or \overline{SCK} is input from off chip, the PC2 pin can be used as the \overline{SCK} input/output pin by setting the MCC register.

<d> The TxE bit of the serial mode high register (SMH) is set (1), enabling transmission.

Figure 7-14. Serial Mode High Register (SMH) Setting (Serial Interface: Transmission Enable)



The initialization program is shown below.

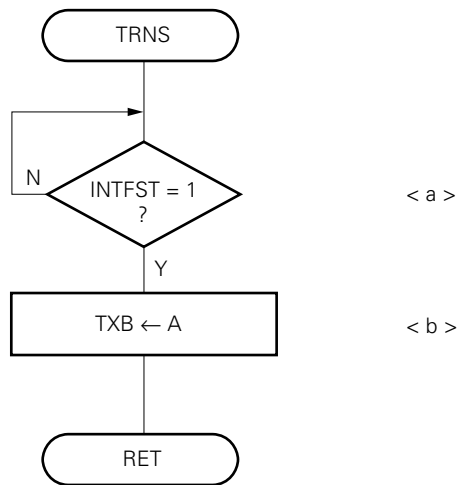
```

;*****SERIAL INTERFACE INITIALIZATION*****
SINIT : MVI    SMH, 00H    ; Internal serial clock (TO)
        MVI    A, 0FEH    ; × 16, even parity, 8 bit character, 2 stop bit
        MOV    SML, A      ; Set serial mode
        MVI    A, 83H      ;
        MOV    TM0, A      ; Set timer register
        MVI    A, 02H      ; Baud rate 110 bps
        MOV    TM1, A      ;
        MVI    TMM, 61H    ; Set timer mode & start
        MVI    A, 07H      ; Set port C mode control
        MOV    MCC, A      ; TxD, RxD,  $\overline{\text{SCK}}$  available
        ORI    PC, 80H     ; PC7 output latch-1
        MVI    A, 00H      ; Initialize port C
        MOV    MC, A       ; Port C output mode
        ORI    SMH, 04H    ; Transmit enable
    
```

} <a>
 }
 } <c>
 } <d>

(2) μ PD78C18 data transmission

The following example shows a subroutine which performs on-byte transmission of the accumulator (A) contents as serial data. In this example operation by means of an interrupt (INTST) is not used, and serial data transmission is performed by testing the interrupt request flag (INTFST). The operation flow is shown below.



- <a> The interrupt request flag (INTFST) is tested to determine whether or not data can be written to the transmit buffer (TXB).
- The accumulator contents are transferred to the transmit buffer.

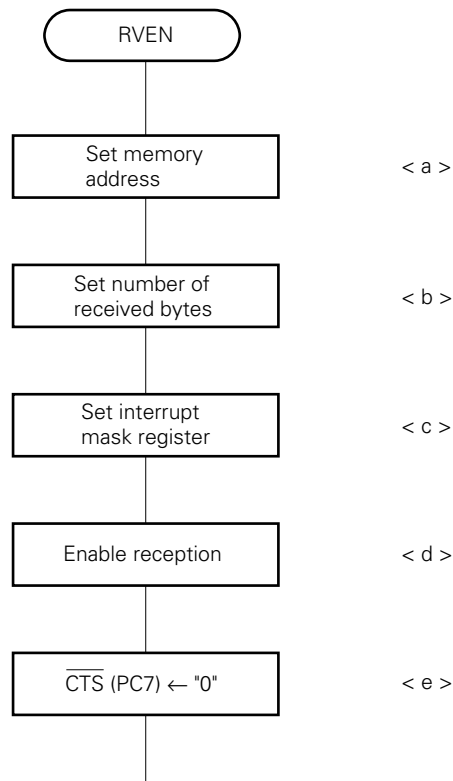
The data transmission routine is shown below. When data is transmitted from the μ PD78C18, the μ PD71051 must be in the reception enabled state.

```

;*****TRANSMIT SERVICE*****
TRNS : SKIT   FST       ; Test FST, skip if FST=1
      JR     TRNS     ; Wait until FST=1
      MOV    TXB, A   ; Output transmit data
      RET                    ; Return
    
```

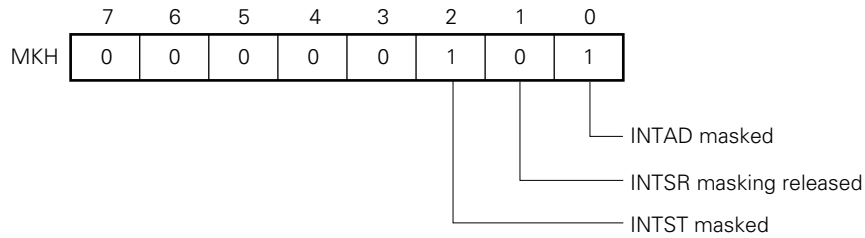
(3) μ PD78C18 data reception

For data reception, hardware interrupts (INTSR) are used. Initialization is therefore necessary beforehand, including setting of the memory address used to store the receive data, the number of received bytes, the interrupt mask register, etc. The operation flow is shown below.



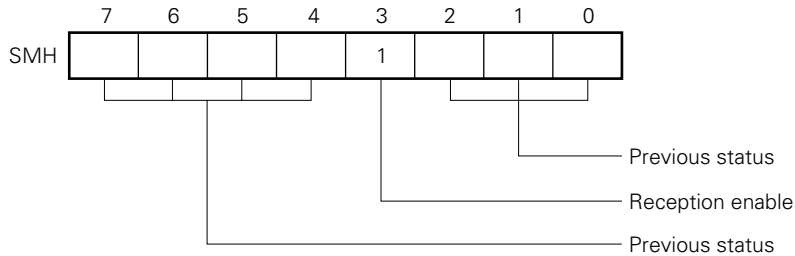
- <a> The memory address for storing the receive data is set in the HL register pair. The setting here is for storage of the receive data in address 2000H onward.
- The number of receive data bytes is set in the B register. The setting here is for reception of 16 (0FH) data bytes.
- <c> The MKSR bit of the interrupt mask register (MKH) is reset (0), releasing masking of INTSR internal interrupts. The interrupt mask flag for INTST interrupts which have the same priority as INTSR interrupts is set (1), setting INTST interrupts as masked.

Figure 7-15. Interrupt Mask Register (MKH) Setting (Serial Interface: INTSR Mask Release)



- <d> The RxE bit of the serial mode high register (SMH) is set (1), enabling reception.

Figure 7-16. Serial Mode High Register (SMH) Setting (Serial Interface: Reception Enable)



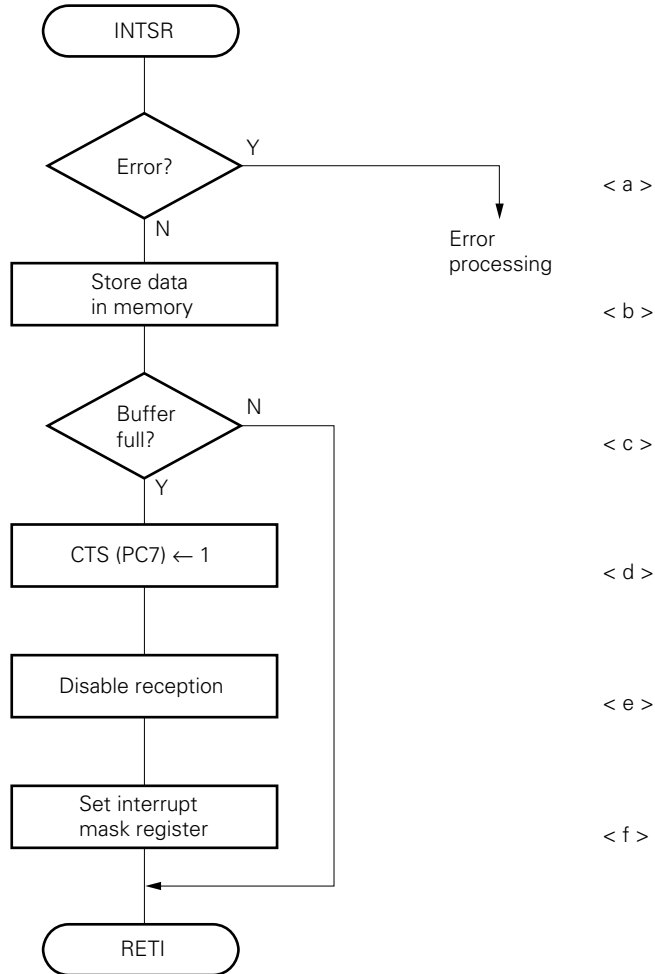
- <e> PC7 output is set to "0", activating $\overline{\text{CTS}}$.

A program which performs the initialization required for reception is shown below.

```

;*****RECEIVE ENABLE*****
RVEN : LXI  H, 2000H   ; Set data pointer (DP=2000H)   <a>
      MVI  C, 0FH     ; Set data counter (DC=0FH)     <b>
      EXX
      ANI  MKH, 05H   ; INTST enable                 <c>
      ORI  SMH, 08H   ; Receive enable                <d>
      ANI  PC, 7FH    ;  $\overline{\text{CTS}}=0$                 <e>
    
```

Following the above settings, an INTSR internal interrupt is generated each time the prescribed data is received. The operation flow of the interrupt service routine is shown below.



<a> The receive data is checked for errors; if an error is found, control passes to the error handling routine.

Caution If the RXB data is not read out when an error is generated an overrun error will be generated again when the next receive operation is performed.

- The receive data is stored in the memory.
- <c> A check is made to see if the data buffer is full; if it is not, control returns to the main routine.
- <d> PC7 output is set to "1", inactivating $\overline{\text{CTS}}$, and $\mu\text{PD71051}$ data transmission is stopped.
- <e> The RxE bit of the serial mode high register (SMH) is reset (0), and the receive operation is stopped.
- <f> The MKSR bit of the interrupt mask register (MKH) is set (1), disabling INTSR internal interrupts.

The interrupt service routine is shown below. Either this interrupt service routine must be stored starting at the INTSR interrupt address (0028H), or else a JMP RECV instruction must be stored in that address.

```

;*****RECEIVE SERVICE*****
RECV : EXA          ; Save accumulator
      EXX          ; Save register
      SKNIT ER     ; Test ERflag, skip if ER=0
      JMP  ERROR   ; Jump ERROR routine
      MOV  A, RXB  ; Input received data
      STAX H+     ; Store received data to memory
      DCR  C       ; Skip if buffer full
      JR   REC0    ;
      ORI  PC, 80H ;  $\overline{\text{CTS}} \leftarrow 1$ 
      ANI  SMH, 0F7H ; Receive disable
      ORI  MKH, 02H ; INTSR disable
REC0 : EXX          ; Recover register
      EXA          ; Recover accumulator
      EI           ; Enable interrupt
      RETI        ; Return
    
```

[MEMO]

CHAPTER 8 ANALOG/DIGITAL CONVERTER FUNCTIONS

The μ PD78C18 incorporates a high-precision 8-bit A/D converter with 8 analog inputs which uses the successive approximation method, and four conversion result registers (CR0 to CR3) to hold the conversion results. The provision of a scan mode and select mode for analog input selection minimizes the software overhead.

8.1 Analog/Digital Converter Configuration

The A/D converter consists of an input circuit, series resistance string, voltage comparator, successive approximation logic, and registers CR0 to CR3 (see **Figure 8-1**).

The 8 analog inputs are multiplexed on the chip, and are selected by the specification of the A/D channel mode register (ANM).

The selected analog input is sampled by the sampling & hold circuit and becomes one of the voltage comparator inputs. The voltage comparator amplifies the difference between the analog input and the voltage tap of the series resistance string.

The series resistance string is connected between the A/D reference voltage pin (V_{REF}) and the A/D ground (AV_{SS}), and consists of a total of 257 resistors comprising 255 equal resistors and two resistors equal to half that value to provide 256 voltage steps between the two pins.

The series resistance string voltage tap is selected by the tap decoder. This decoder is driven by the 8-bit successive approximation register (SAR).

One bit of the SAR is set at a time starting from the most significant bit (MSB) until the value of the series resistance string voltage tap matches the voltage value of the analog input. That is, when conversion starts the MSB of the SAR is set (1), and the series resistance string voltage tap is made $1/2 V_{REF}$ and is compared with the analog input. If the analog input is greater than $1/2 V_{REF}$, the MSB of the SAR remains set; if smaller than $1/2 V_{REF}$, the MSB is reset and the operation proceeds to comparison with the next upper bit after the MSB reset. Here, (i.e. for bit 7), the series resistance string voltage tap is made $3/4 V_{REF}$ or $1/4 V_{REF}$ and is compared with the analog input. The comparison process continues this way up to the least significant bit of the SAR (binary search method).

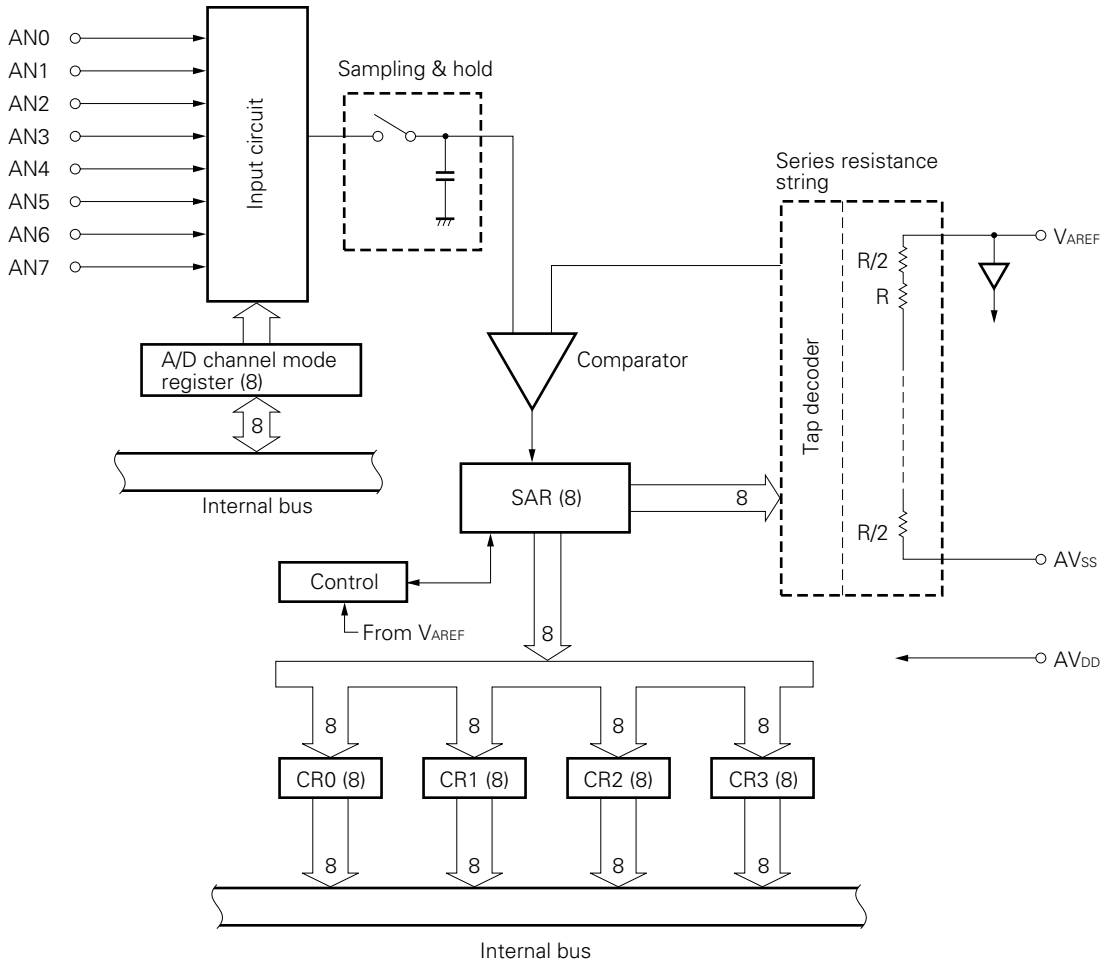
When the 8-bit comparison ends the SAR contains the valid digital result, and this result is serially latched into registers CR0 to CR3.

When the A/D conversion result has been latched into all the registers, CR0 to CR3, and INTAD A/D conversion termination interrupt is generated.

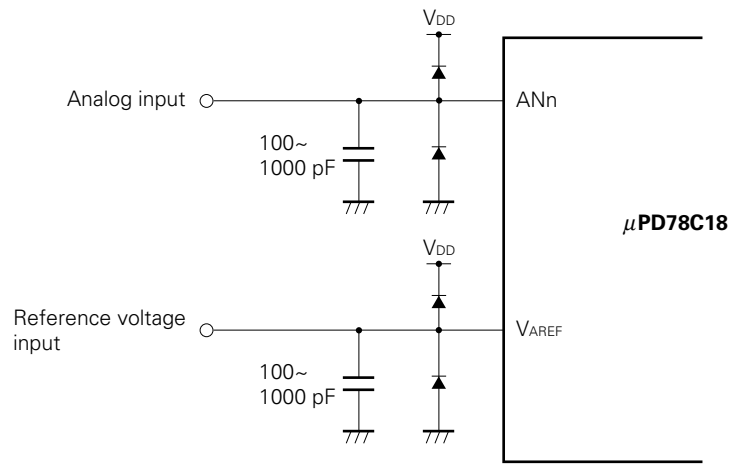
The A/D converter has independent power supply pins (AV_{DD} and AV_{SS}), and the effects of power supply fluctuations and system noise can be minimized by supplying a stable power supply to these pins.

The A/D converter can also vary the voltage range for conversion by varying V_{REF} . and the A/D converter operation can be controlled by inputting a low-level signal to V_{REF} .

Figure 8-1. A/D Converter Block Diagram



Caution A capacitor should be connected to the analog input pins (AN7 to AN0) and the reference voltage input pin (V_{REF}) to prevent errors due to noise. A voltage outside the range from AV_{SS} to V_{REF} should not be applied to any of the pins AN7 to AN0 which are not used or which use an edge detection function, as this will adversely affect the conversion precision. An effective means of noise protection in this case is clamping with a diode with a small V_f such as Schottky diode. In addition, the impedance of the analog signal input source and the reference voltage input source should be as small as possible.



8.2 A/D Channel Mode Register (ANM)

This register controls A/D converter operations. As shown in Figure 8-2, bit 0 (MS) of the A/D channel mode register controls the operation mode, and bits 1 to 3 (ANI0 to ANI2) select the analog input for A/D conversion. Bit 4 (FR) is used to maintain the optimum conversion speed; the conversion speed for one operation can be calculated by means of the oscillator frequency and the FR bit using the following expressions, and is set as shown in Table 8-1.

FR=0: Conversion speed = $48 \times 12/f_{XTAL}$ (μs)

FR=1: Conversion speed = $36 \times 12/f_{XTAL}$ (μs)

f_{XTAL} = Oscillator frequency (MHz)

Table 8-1. Conversion Speed Settings

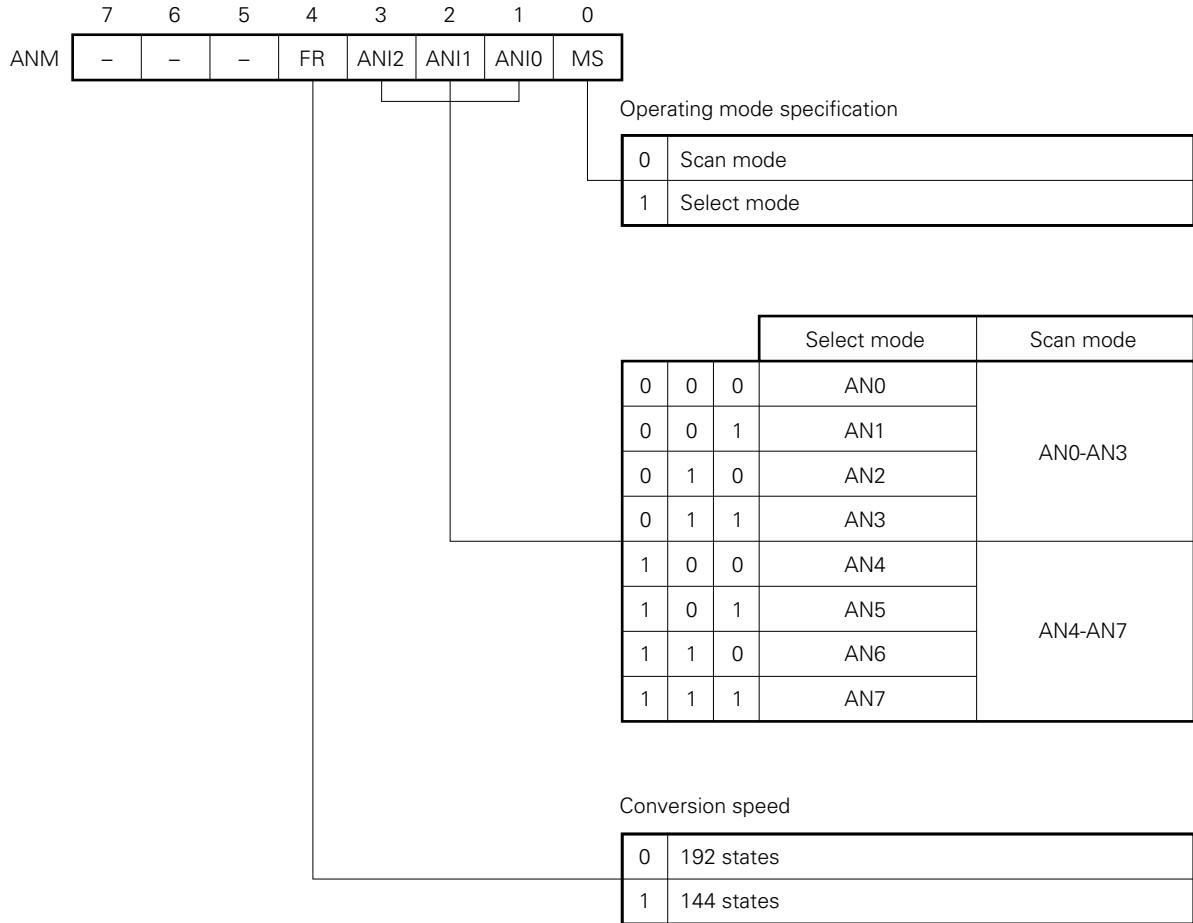
Oscillator frequency	15 MHz	12 MHz	11 MHz	10 MHz	9 MHz	8 MHz	7MHz
FR bit	0	0	0	0	1	1	1
Conversion speed	38.4 μs	48 μs	52.4 μs	57.6 μs	48 μs	54 μs	61.7 μs

Reading the contents of the A/D channel mode register allows the current conversion mode to be ascertained. \overline{RESET} input or hardware STOP mode resets the A/D channel mode register to 00H.

Writing to the ANM register initializes the A/D converter, stops the A/D conversion currently being performed, and starts A/D conversion from the beginning in accordance with the contents written to ANM.

Thus if a write is performed on the ANM register after the INTFAD flag has been cleared, A/D conversion is started in accordance with the written contents. Therefore, when the INTAD flag is set again, the post-change result is stored in the CR registers (CR0 to CR3).

Figure 8-2. A/D Channel Mode Register Format



8.3 Analog/Digital Converter Operation

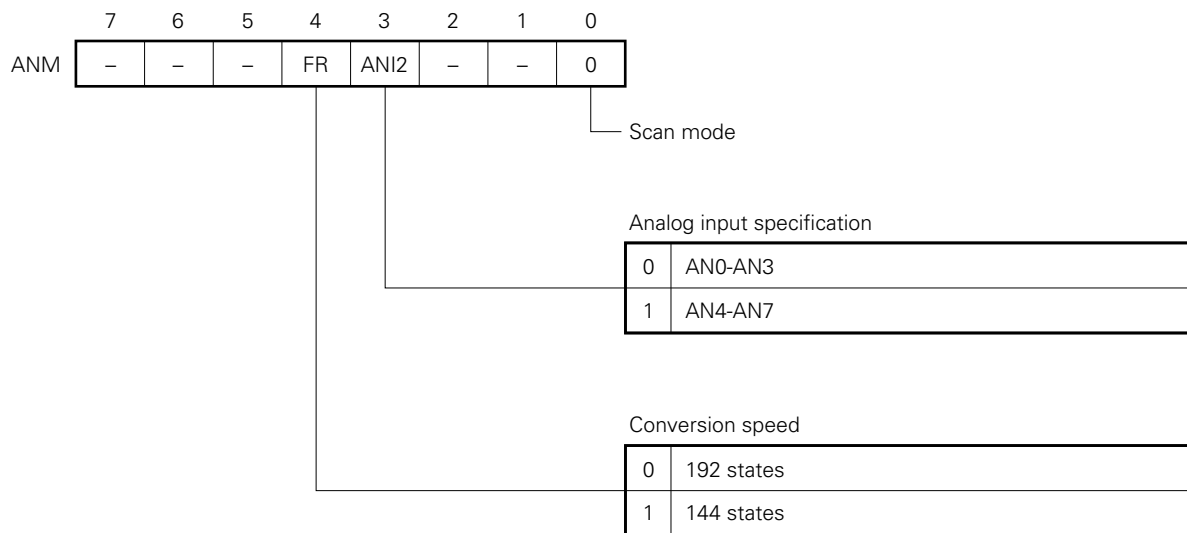
Either the scan mode or select mode can be specified for the A/D converter by means of the MS bit of the A/D channel mode register (ANM).

8.3.1 Scan mode

In the scan mode, as shown in Figure 8-3, the A/D channel mode register (ANM) specifies either analog inputs AN0 to AN3 (ANI2=0) or analog inputs AN4 to AN7 (ANI2=1).

Remark Each of the analog inputs AN4 to AN7 has a function for detecting a falling edge and setting a test flag which is unrelated to A/D conversion operations (see **9.2 External Interrupt Sampling**).

Figure 8-3. A/D Channel Mode Register in Scan Mode



When the ANI2 bit of the A/D channel mode register is set to "0", analog inputs are selected in the order AN0→AN1→AN2→AN3, and the A/D conversion value of each input is stored in the order CR0→CR1→CR2→CR3. Similarly, when the ANI2 bit of the A/D channel mode register is set to "1", analog inputs are selected in the order AN4→AN5→AN6→AN7, and the A/D conversion value of each input is stored in the order CR0→CR1→CR2→CR3.

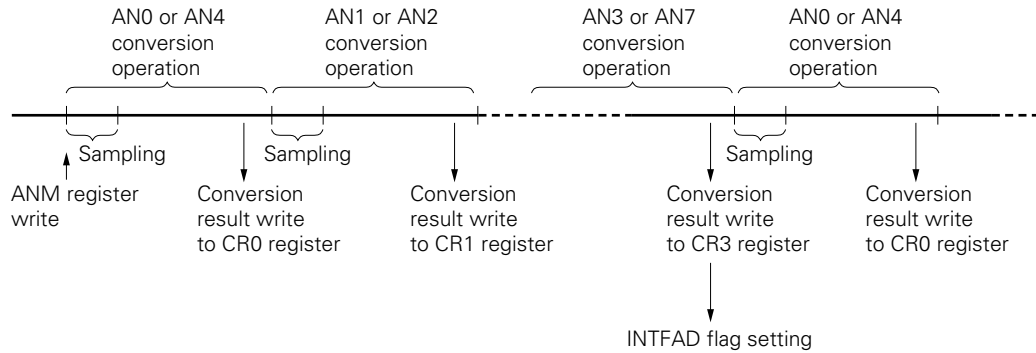
When the conversion values have been stored in all four CR registers (CR0 to CR3), an INTAD internal interrupt is generated.

The A/D converter continues A/D conversion again from AN0 or AN4 irrespective of whether or not an interrupt request has been acknowledged, and stores the A/D conversion results in order starting with CR0. This operation continues until the A/D channel mode register is changed.

This mode allows A/D conversion of four analog inputs with a minimum of software.

Internal interrupts are disabled by setting (1) the MKAD bit of the interrupt mask register (MKH).

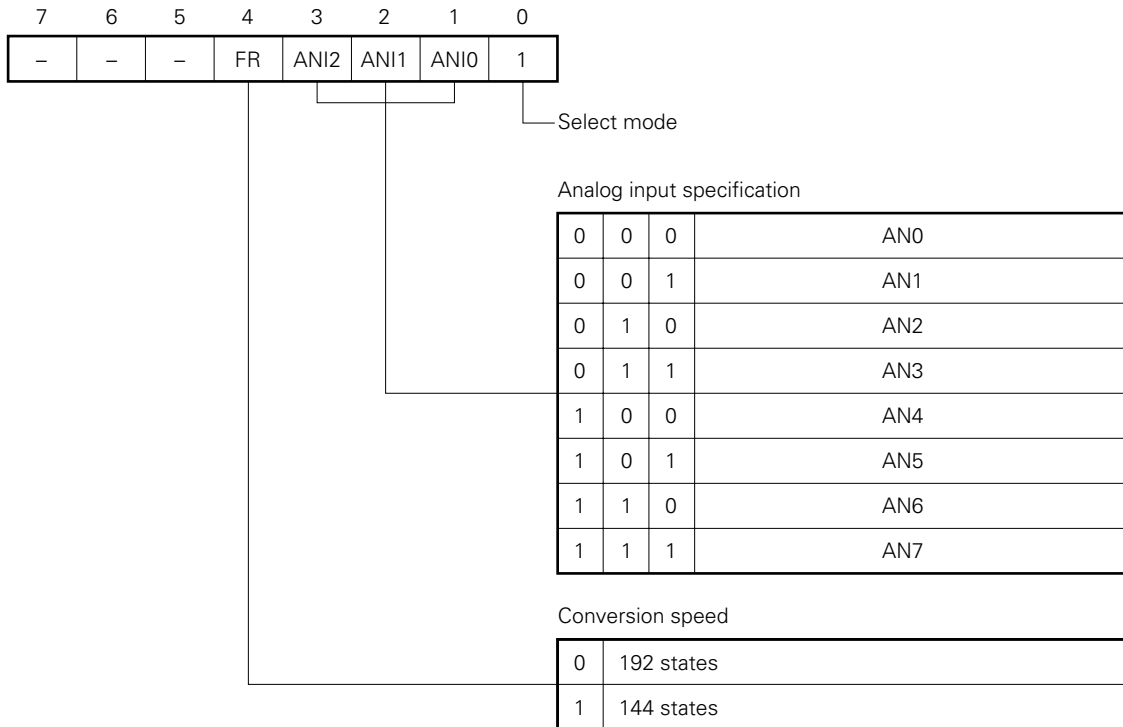
Figure 8-4. Outline of A/D Converter Operation Timing in Scan Mode



8.3.2 Select mode

In the select mode, as shown in Figure 8-5, the A/D channel mode register (ANM) specifies one of the analog inputs AN0 to AN7.

Figure 8-5. A/D Channel Mode Register in Select Mode



A/D conversion is performed on the single analog input specified by the A/D channel mode register, and the A/D conversion result is stored in the order CR0→CR1→CR2→CR3. When the conversion values have been stored in all four CR registers (CR0 to CR3), an INTAD internal interrupt is generated.

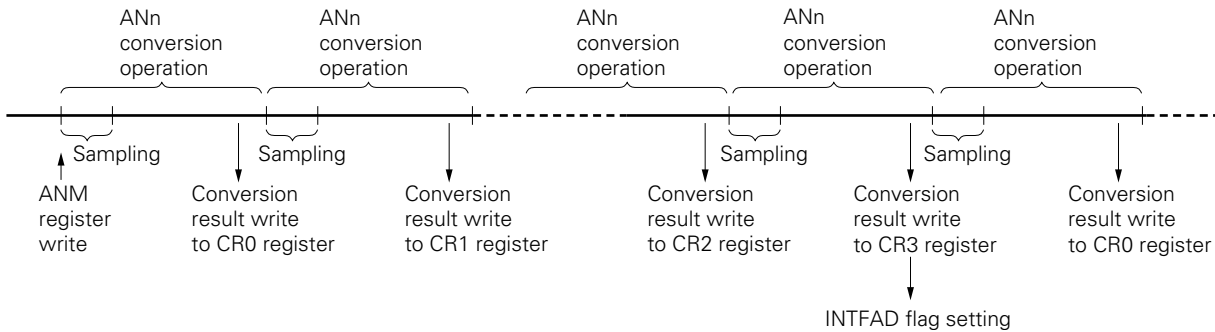
The A/D converter continues A/D conversion again irrespective of whether or not an interrupt request has been acknowledged, and stores the A/D conversion results in order starting with CR0. Thus the most recent conversion values are always stored in the CR registers.

The A/D converter repeats the above operation until the contents of the A/D channel mode register are changed.

This mode holds the most recent conversion values for the selected analog inputs, and is useful for averaging conversion values or preventing noise input, etc.

Internal interrupts are disabled by setting (1) the MKAD bit of the interrupt mask register (MKH).

Figure 8-6. Outline of A/D Converter Operation Timing in Select Mode



8.3.3 A/D converter operation control method

A/D converter operation can be stopped by controlling the V_{AREF} input voltage. When a voltage of V_{IH1} or more is input to the V_{AREF} pin, the A/D converter starts the conversion operation and the conversion result is guaranteed for V_{AREF}=3.4 V to AV_{DD}. If the V_{AREF} pin input voltage is made V_{IL1} or less during the conversion operation, the A/D converter conversion operation stops and CR0 to CR3 contents are undefined.

If the V_{AREF} input voltage is changed for A/D converter to stop control, the A/D channel mode register (ANM) is not affected. Thus, if the V_{AREF} input voltage is increased to 3.4 V or more to reset the operating state from the stop state, the A/D converter restarts its operation by storing a conversion value in CR0 in the mode in effect just before it stopped.

If the V_{AREF} input voltage level is changed, the edge detection function of inputs AN4 to AN7 is not affected.

Caution When V_{AREF} is low, inputs AN0 to AN7 must be in the range from AV_{SS} to AV_{DD}.

8.3.4 Input voltage and conversion results

Relationship between the analog input voltage input to the analog input pin (AN0 to AN7) and the A/D conversion results (a value stored in CR0 to CR3) is shown in the following expression.

$$CR0 \text{ to } CR3 = \text{INT} \left(\frac{V_{IN}}{V_{AREF}} \times 256 + 0.5 \right)$$

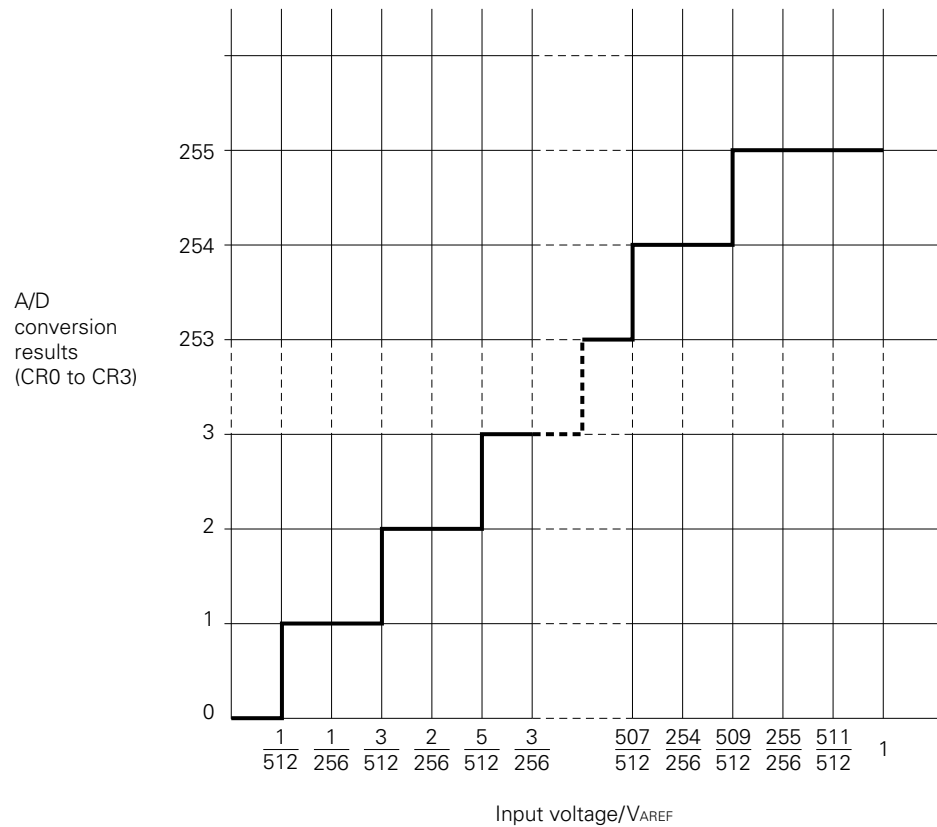
or,

$$(CR0 \text{ to } CR3 - 0.5) \times \frac{V_{AREF}}{256} \leq V_{IN} < (CR0 \text{ to } CR3 + 0.5) \times \frac{V_{AREF}}{256}$$

- Remark** INT () : A function which returns an integer in parentheses
 V_{IN} : Analog input voltage
 V_{AREF} : V_{AREF} pin voltage
 CR0 to CR3 : CR0 to CR3 register value

Relationship between the analog input voltage and the A/D conversion results is shown in Figure 8-7.

Figure 8-7. Relationship Between Analog Input Voltage and A/D Conversion Results



8.3.5 Example of analog/digital converter program

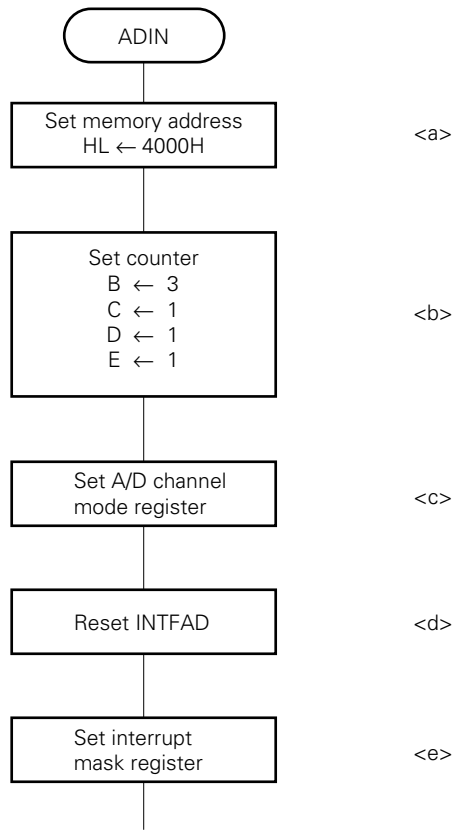
The example of an analog/digital converter program given here stores the A/D conversion values for pins AN0 to AN7 in the memory area from 4000H to 403FH shown in Figure 8-8.

Figure 8-8. Memory Map (Store Example of A/D Conversion Result)

	8	9	A	B	C	D	E	F	
	0	1	2	3	4	5	6	7	
4000H									← AN0
4008H									← AN1
4010H									← AN2
4018H									← AN3
4020H									← AN4
4028H									← AN5
4030H									← AN6
4038H									← AN7

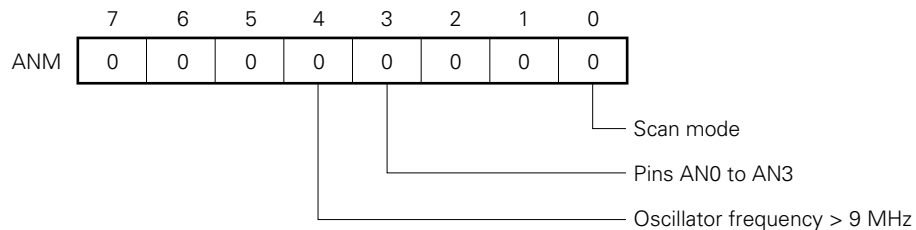
In this programming example the A/D converter is set to the scan mode. First, four A/D conversion operations are performed on pins AN0 to AN3, and the AN0 to AN3 conversion results are stored in areas 4000H to 4003H, 4008H to 400BH, 4010H to 4013H, and 4018H to 401BH, respectively. Next, four A/D conversion operations are performed on pins AN4 to AN7, and the AN4 to AN7 conversion results are stored in areas 4020H to 4023H, 4028H to 402BH, 4030H to 4033H, and 4038H to 403BH, respectively. Then, conversion is performed again on pins AN0 to AN3, and the AN0 to AN3 conversion results are stored in areas 4004H to 4007H, 400CH to 400FH, 4014H to 4017H, and 401CH to 401FH, respectively. Finally, conversion is performed on pins AN4 to AN7, and the AN4 to AN7 conversion results are stored in areas 4024H to 4027H, 402CH to 402FH, 4034H to 4037H, and 403CH to 403FH, respectively. An example of a program which repeats the above operations show below.

First, the operation flow for initialization is shown in the following flowchart.



- <a> The memory address for storing the A/D conversion results is set in the HL register pair. Here, the setting is for storage of the conversion results in address 4000H onward.
- General registers B, C, D, and E are used as counters to enable the A/D conversion results to be stored in the specified memory. The B register is used to check that A/D conversion has been performed four times for pins AN0 to AN3 or pins AN4 to AN7. Therefore, 03H is set in the B register. The C, D, and E register are stored in the respective memory areas, and 01H is set in each.
- <c> The A/D channel mode register is set to specify the scan mode and AN0 to AN3 as the input pins.

Figure 8-9. A/D Channel Mode Register Settings



<d> The A/D channel mode register is cleared to 00H when a reset is performed, and A/D conversion is performed on pins AN0 to AN3 in the scan mode. The conversion values are stored in register CR0 to CR3, and it is possible that the interrupt request flag (INTFAD) may be set (1). Therefore, the interrupt request flag is reset (0) by a skip operation before setting the MKAD bit of the interrupt mask register (MKH) to "0" and releasing masking.

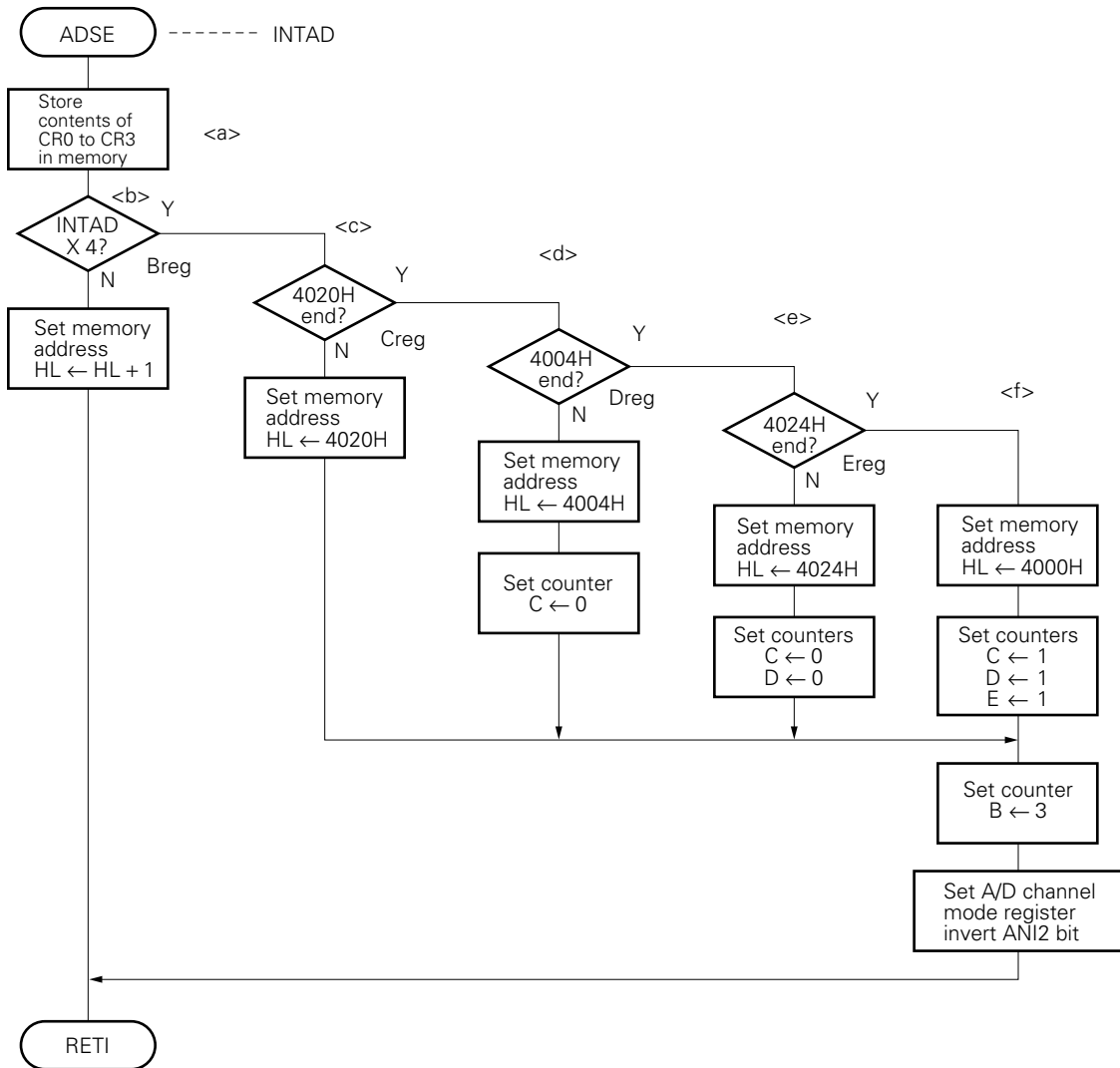
<e> The MKAD bit of the interrupt mask register (MKH) is reset(0), releasing masking of INTAD internal interrupts.

The A/D converter initialization routine is shown below.

```

;*****A/D CONVERTER INITIALIZATION*****
ADIN : LXI    H, 4000H   ; Set data pointer           <a>
      LXI    B, 0301H   ; Set counter                 }
      LXI    D, 0101H   ; Set counter                 } <b>
      EXX                                ; Exchange register set
      MVI    ANM, 00H   ;                               <c>
      SKIP   FAD        ; Reset INTFAD                 }
      NOP                                ;                               } <d>
      ANI    MKH, 0FEH  ; INTAD enable                 <e>
    
```

In the INTAD interrupt service routine, the A/D conversion values in CR0 to CR3 are stored in the prescribed memory locations. The operation flow is shown below.



- <a> The contents of CR0 to CR3 which hold the A/D conversion values for pins AN0 to AN3 or pins AN4 to AN7 are stored in the prescribed memory locations.
- A check is made to see if an INTAD internal interrupt has been generated 4 times: If fewer than 4, the HL register pair is incremented by 1 and control returns from the routine. If there have been 4 interrupts, the program jumps to <c>. The B register is the counter used to check whether 4 interrupts have been generated.
- <c> As the A/D conversion values are stored in memory blocks starting at address 4000H (4000H to 4003H, 4008H to 400BH, 4010H to 4013H, and 4018H to 401BH), the start address (4020H) of the next block is stored in the HL register pair, and 03H in the B register. The ANI2 bit of the A/D channel mode register is inverted to change the input pin on which A/D conversion is to be performed, and a return is made from the routine.

When A/D conversion values are stored in the memory blocks starting at 4020H (4020H to 4023H, 4028H to 402BH, 4030H to 4033H, and 4038H to 403BH), the program jumps to <d>. The C register is the counter used to check whether or not A/D conversion values have been stored in the memory blocks starting at 4020H.

- <d> As the A/D conversion values are stored in memory blocks starting at address 4020H, the start address (4004H) of the next block is stored in the HL register pair, 03H in the B register, and 00H in the C register. The ANI2 bit of the A/D channel mode register is inverted to change the input pin on which A/D conversion is to be performed, and a return is made from the routine. When A/D conversion values are stored in the memory blocks starting at 4004H (4004H to 4007H, 400CH to 400FH, 4014H to 4017H, and 401CH to 401FH), the program jumps to <e>. The D register is the counter used to check whether or not A/D conversion values have been stored in the memory blocks starting at 4004H.
- <e> As the A/D conversion values are stored in memory blocks starting at address 4004H, the start address (4024H) of the next block is stored in the HL register pair, 03H in the B register, and 00H in the C register and D register. The ANI2 bit of the A/D channel mode register is inverted to change the input pin on which A/D conversion is to be performed, and a return is made from the routine. When A/D conversion values are stored in the memory blocks starting at 4024H (4024H to 4027H, 402CH to 402FH, 4034H to 4037H, and 403CH to 403FH), the program jumps to <f>. The E register is the counter used to check whether or not A/D conversion values have been stored in the memory blocks starting at 4024H.
- <f> The A/D conversion values are stored in memory blocks starting at address 4024H, and A/D conversion values are stored in the entire area from 4000H to 403FH. Therefore, initialization is performed in order to store A/D conversion values in the memory blocks starting at address 4000H once again.

The interrupt service routine is shown below. A JMP ADSE instruction must be stored in the INTAD interrupt address. (0020H).

*****A/D CONVERTER SERVICE*****

```

ADSE : EXA          ; Save accumulator
      EXX          ; Save register
      MOV   A, CR0
      STAX  H      ; Store A/D conversion data to memory
      MOV   A, CR1
      STAX  H+8H   ; Store A/D conversion data to memory
      MOV   A, CR2
      STAX  H+10H  ; Store A/D conversion data to memory
      MOV   A, CR3
      STAX  H+18H  ; Store A/D conversion data to memory
      DCR   B      ; Decrement counter, skip if borrow
      JR   ARIN
      DCR   C
      JR   ARST0
      MOV   A, D
      DCR   A
      JR   ARST1
      MOV   A, E
      DCR   A
      JR   ARST2
      LXI  H, 4000H ; Set data pointer
      LXI  D, 0101H ; Set counter
      MVI  C, 01H   ; Set counter
      JR   RET1
ARIN  : INX   H      ; Increment HL
      JR   RET2
ARST0: LXI  H, 4020H ; Set data pointer
      JR   RET1
ARST1: LXI  H, 4004H ; Set data pointer
      MOV   D, A
      JR   RET0
ARST2: LXI  H, 4024H ; Set data pointer
      MOV   E, A
      MVI  D, 00H
RET0  : MVI  C, 00H
RET1  : MVI  B, 03H
      XRI  ANM, 08H ; Invert ANI2 bit
RET2  : EXA          ; Recover accumulator
      EXX          ; Recover register
      EI           ; Enable interrupt
      RETI         ; Return

```

} <a>
 }
 } <c>
 } <d>
 } <e>
 } <f>
 }
 } <c>
 } <d>
 } <e>

[MEMO]

CHAPTER 9 INTERRUPT CONTROL FUNCTIONS

There are 3 kinds of external interrupt request ($\overline{\text{NMI}}$, INT1 , $\overline{\text{INT2}}$) and 8 kinds of internal interrupt requests (INTT0 , INTT1 , INTE0 , INTE1 , INTEIN , INTAD , INTSR , INTST), plus a software interrupt instruction (SOFTI). The 11 kinds of interrupt requests excluding the SOFTI instruction are divided into 6 groups, each of which is assigned a different priority.

The interrupt addresses for the 6 interrupt request groups and the SOFTI instruction are fixed, and are shown in Table 9-1.

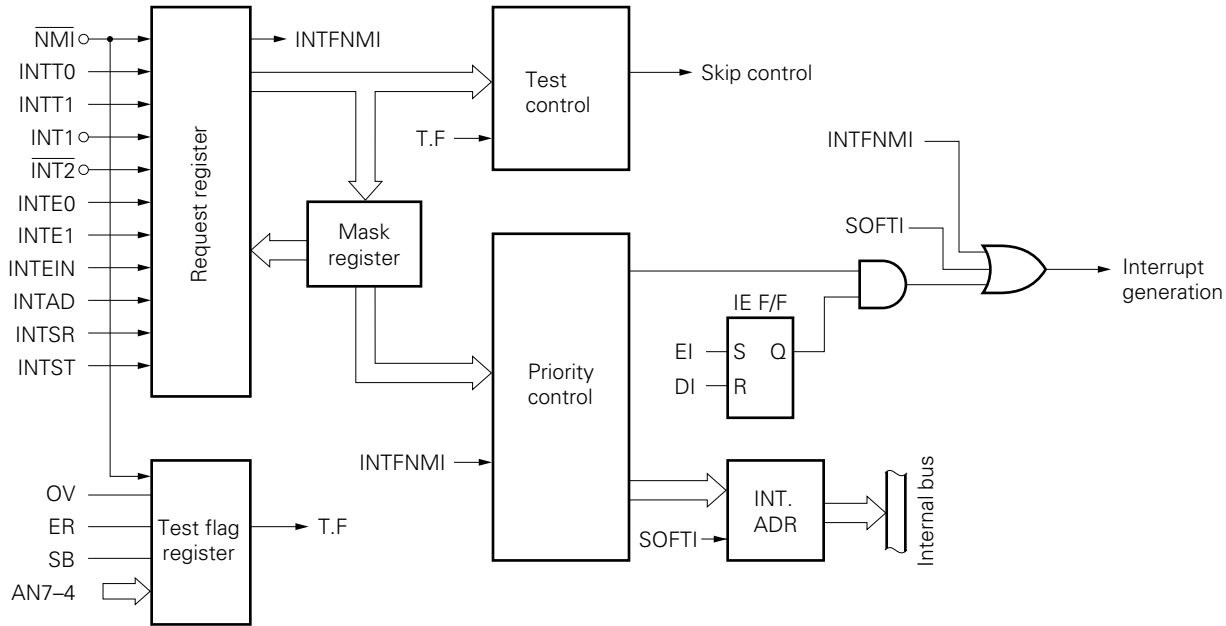
Table 9-1. Priorities and Interrupt Addresses

Priority	Internal/ External	Interrupt Request		Interrupt Address	
				Decimal	Hexadecimal
1	External	$\overline{\text{NMI}}$	Falling edge (non-maskable interrupt)	4	0004
2	Internal	INTT0	Match signal from TIMER0	8	0008
		INTT1	Match signal from TIMER1		
3	External	INT1	Rising edge	16	0010
		$\overline{\text{INT2}}$	Falling edge		
4	Internal	INTE0	Match signal from timer/event counter	24	0018
		INTE1	Match signal from timer/event counter		
5	Internal	INTEIN	CI pin or TO fall signal	32	0020
		INTAD	A/D converter interrupt		
6	Internal	INTSR	Serial reception interrupt	40	0028
		INTST	Serial transmission interrupt		
SOFTI instruction				96	0060

9.1 Interrupt Control Circuit Configuration

The interrupt control circuit consists of a request register, a mask register, a priority control, a test control, an interrupt enable F/F (IE F/F) and a test flag register.

Figure 9-1. Interrupt Control Circuit Block Diagram



(1) Request register

This register consists of 11 interrupt request flags which are set by the different interrupt requests. A flag is reset when an interrupt request is acknowledged or a skip instruction (SKIT or SKNIT) is executed. RESET input resets all flags. The interrupt request flags are not affected by the interrupt mask register.

- INTFNMI
Set (1) by a falling edge input to the NMI pin. Unlike other interrupt request flags, this flag cannot be tested by a skip instruction. However, the status of the NMI pin can be tested (see (6) Test flag register).
- INTFT0
Set (1) by TIMER0 match signal.
- INTFT1
Set (1) by TIMER1 match signal.
- INTF1
Set (1) by a rising edge input to the INT1 pin.
- INTF2
Set (1) by a falling edge input to the INT2 pin.
- INTFE0
Set (1) when timer/event counter ECNT and ETM0 register contents match.
- INTFE1
Set (1) when timer/event counter ECNT and ETM1 register contents match.
- INTFEIN
Set (1) by a falling edge of the timer/event counter input (CI input) or timer output (TO).

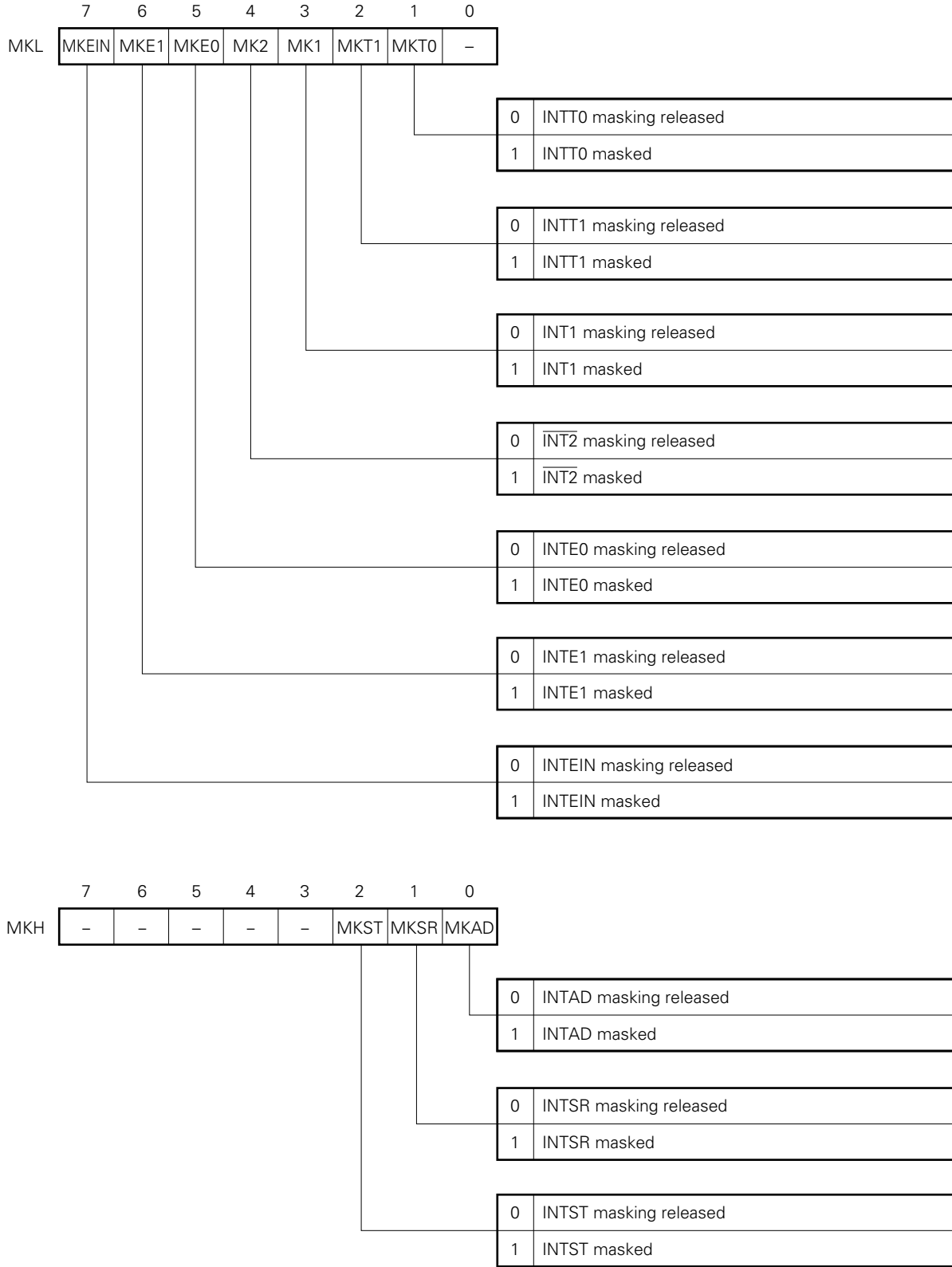
- INTFAD
Set (1) when A/D converter conversion values are transferred to the four registers CR0 to CR3.
- INTFSR
Set (1) when the serial interface receive buffer becomes full.
- INTFST
Set (1) when the serial interface transmit buffer becomes empty.

(2) Mask register

This is a 10-bit mask register which handles all interrupt requests except non-maskable interrupts ($\overline{\text{NMI}}$). It can be set (1) or reset (0) bit-wise by an instruction. An interrupt request is masked (disabled) or enabled when the corresponding bit of the mask register is "1" or "0", respectively.

When $\overline{\text{RESET}}$ is input and in the hardware STOP mode all bits of the mask register are set (1), masking all interrupt requests except non-maskable interrupts.

Figure 9-2. Mask Register (MKL, MKH) Format



(3) Priority control circuit

This circuit controls the 6 priority levels described earlier. If two or more interrupt request flags are set simultaneously, the interrupt with the highest priority according to Table 9-1 is acknowledged, and the remainder are held pending.

(4) Test control circuit

This circuit comes into operation when a skip instruction (SKIT or SKNIT) is executed to test interrupt request flags (except INTFNMI) for each interrupt source, $\overline{\text{NMI}}$ pin states and test flags which do not generate an interrupt request.

(5) Interrupt enable F/F (IE F/F)

This is a flip-flop which is set by the EI instruction and reset by the DI instruction. This flip-flop is reset when an interrupt is acknowledged, and by $\overline{\text{RESET}}$ input, hardware and in STOP mode. Interrupts are enabled when this flip-flop is set, and disabled when it is reset. Non-maskable interrupts can be acknowledged at any time irrespective of the status of this flip-flop.

(6) Test flag register

This register consists of 8 test flags which do not generate interrupt requests.

- NMI
Enables the $\overline{\text{NMI}}$ pin status to be tested. This flag is set to "1" when the $\overline{\text{NMI}}$ pin input level is "1", and "0" when the level is "0".
- OV
Set (1) when the timer/event counter ECNT overflows.
- ER
Set (1) in the event of a parity error, framing error or overrun error in serial reception.
- SB
Set (1) if V_{DD} pin increases from a level lower than specified to a level higher than specified.
- AN7 to AN4
Set (1) by a falling edge input to pins AN7 to AN4. Falling edge detection is performed by the same method as in the case of the $\overline{\text{INT2}}$ pin.

The above test flags can be tested by a skip instruction (SKIT or SKNIT). Test flags other than NMI are cleared when tested. The NMI test flag is not changed by execution of an instruction and the pin status can be tested as it is.

9.2 External Interrupt Sampling

Pins $\overline{\text{NMI}}$, INT1, $\overline{\text{INT2}}$, and AN7 to AN4 have a noise elimination function to prevent errors due to noise signals.

(1) $\overline{\text{NMI}}$ input

This is the falling-edge-active non-maskable interrupt input. When the $\overline{\text{NMI}}$ signal is detected to be low for at least a given time by the analog delay circuit, it is recognized as a normal signal and the INTFNMI interrupt request flag is set.

At the end of the instruction INTFNMI is checked and if set, the program jumps to the interrupt address for non-maskable interrupts regardless of the EI/DI state. When an interrupt request is acknowledged, INTFNMI is automatically reset.

(2) INT1 input

This is the rising-edge-active maskable interrupt input. When the INT1 signal changes from low to high, and the high level is detected in 3 or more successive ϕ_{12} cycle sampling pulses (12 states: 2.4 μs at 15 MHz), the input is recognized as a normal signal and the INTF1 interrupt request flag is set.

When masking is released in the EI state, a check is made that the INTF1 is set at the end of the instruction, and if there is no other interrupt request of higher priority, the INT1 interrupt is acknowledged and the program jumps to the interrupt address. Interrupt request flag resetting is described in **9.4 Maskable Interrupt Operation**.

A new INT1 interrupt is detected when the INT1 signal is high for at least 12 states after first returning to the low level.

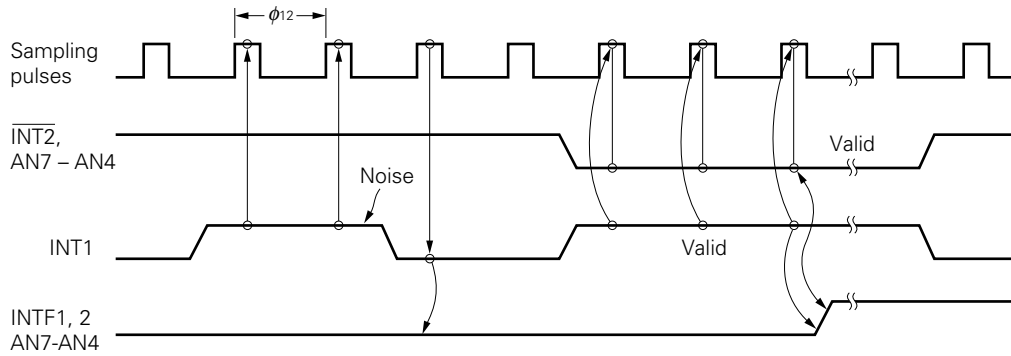
(3) $\overline{\text{INT2}}$ input

This is the falling-edge-active maskable interrupt input. Except for having the opposite active state, its functions are the same as those of the INT1 input.

(4) AN7 to AN4 inputs

A falling edge is detected by the same method as for the $\overline{\text{INT2}}$ input, and the test flag is set (AN7 to AN4 of the test flag register). These flags can be tested by an instruction (SKIT or SKNIT), and are automatically reset when tested. In setting a testable flag again, the criterion for detection is a low-level input signal for a duration of at least 12 states after first returning to the high level.

Figure 9-3. Interrupt Sampling



As can be seen from the above diagram, INT1, INT2 and AN7 to AN4 are determined to be correct interrupt signals when the active level is detected in 3 or more ϕ_{12} ($0.8 \mu\text{s}$ at 15 MHz operation) cycle sampling pulses. Therefore, noise signals of 8 states ($1.6 \mu\text{s}$ at 15 MHz operation) or shorter duration are eliminated, and the interrupt request flag is properly set by a high-level or low-level input of at least 12 states ($2.4 \mu\text{s}$ at 15 MHz operation).

9.3 Non-Maskable Interrupt Operation

When the INTFNMI interrupt request flag is set by a falling edge input to the $\overline{\text{NMI}}$ pin, a non-maskable interrupt is acknowledged by means of the following procedure irrespective of the EI/DI state (see **Figure 9-4**).

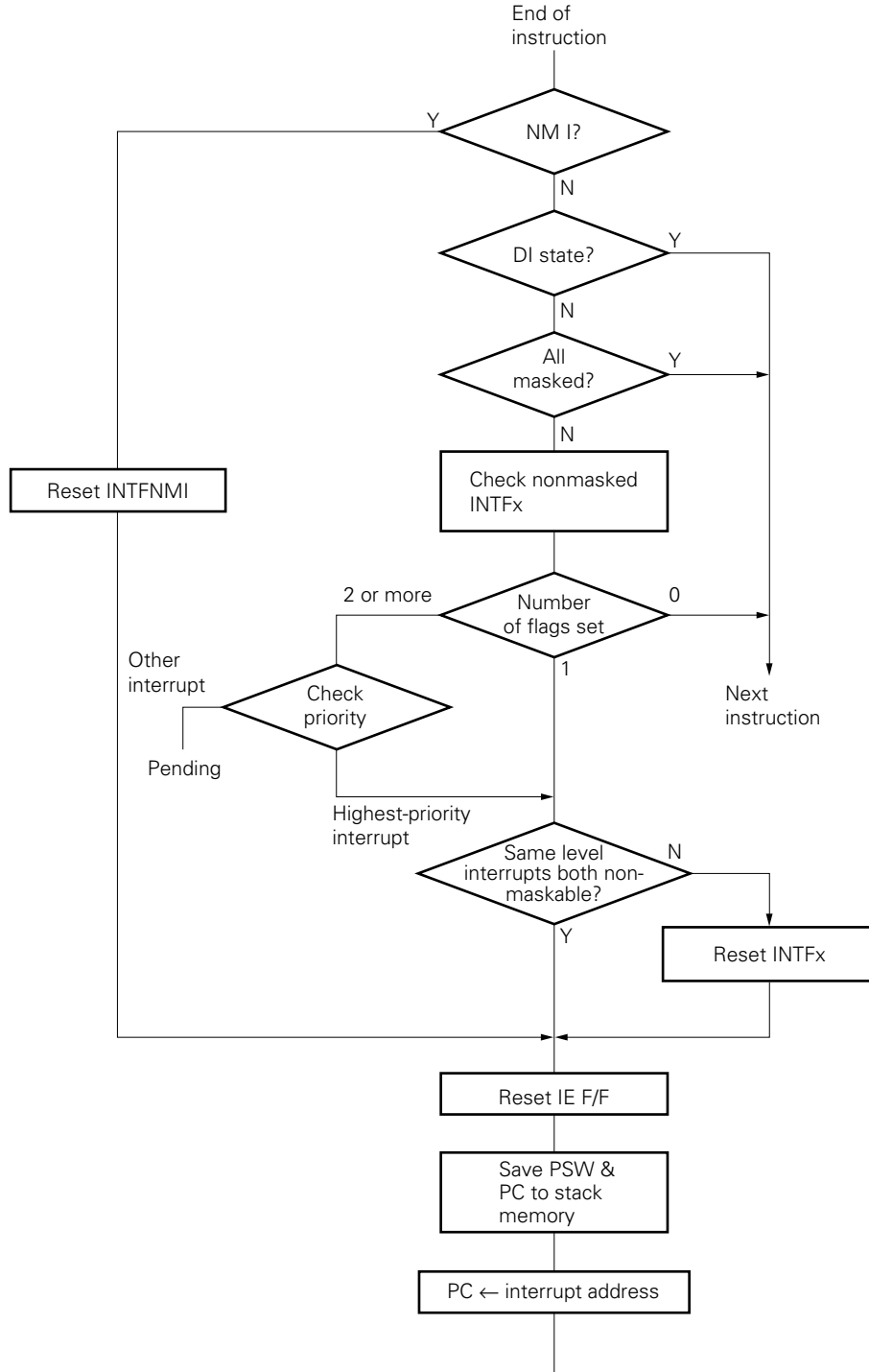
- (i) A check is made to see if INTFNMI is set at the end of each instruction. If INTFNMI is set, a non-maskable interrupt is acknowledged at INTFNMI is reset.
- (ii) When the non-maskable interrupt is acknowledged, the IE F/F is reset and all interrupts except for non-maskable interrupts and the SOFTI instruction are placed in the disabled state (DI state).
- (iii) PSW, PC high byte and PC low byte are saved into the stack memory in that order.
- (iv) The program jumps to the interrupt address (0004H).

These interrupt operations are automatically carried out in 16 states.

Caution Operations when a non-maskable interrupt is generated directly after a maskable interrupt

- (1) The PC value at the time of the interrupt is saved to the stack.**
- (2) The vector address of the maskable interrupt is stored in the PC, and the corresponding interrupt request flag is reset.**
- (3) Non-maskable interrupt servicing is executed before execution of the maskable interrupt routine.**
- (4) The non-maskable interrupt routine is executed.**
In this case, the return destination from the non-maskable interrupt routine is the maskable interrupt routine.

Figure 9-4. Interrupt Operation Procedure



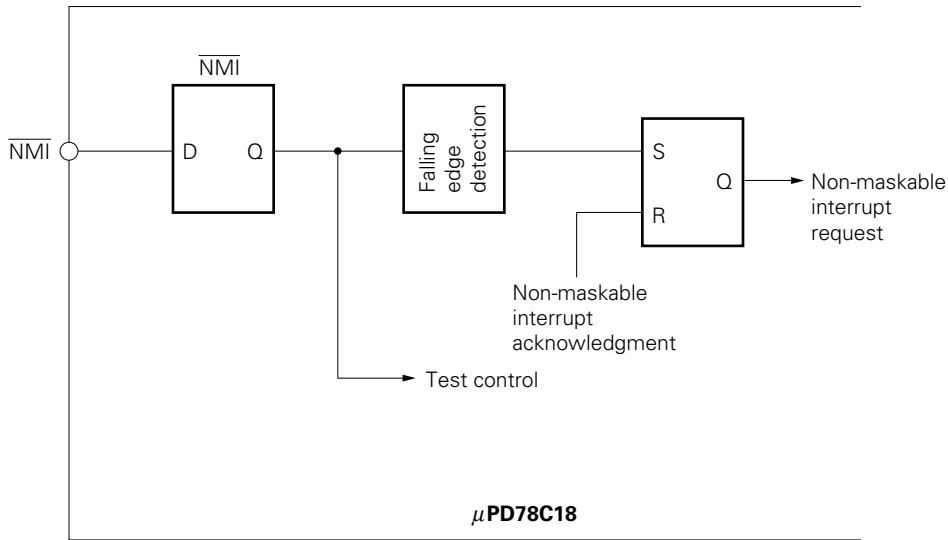
When execution of the interrupt service routine ends, processing is performed to return to the address at which the interrupt was acknowledged. First, registers, flags, etc., other than the PSW which have been save are restored, and if necessary the IE F/F is set by the EI instruction. Next, the RETI instruction is used to restore the previously saved return address and PSW in the order: Lower PC byte, upper PC byte, PSW.

Since interrupt servicing is performed for non-maskable interrupts irrespective of the status of the IE F/F, they are useful for program processing in the event of an emergency such as a power failure.

The configuration of the $\overline{\text{NMI}}$ pin is shown in Figure 9-5. Although INTFNMI cannot be tested by a skip instruction, the $\overline{\text{NMI}}$ pin status can be tested by a skip instruction (SKIT NMI or SKNIT NMI). Thus, in the non-maskable interrupt service routine, relatively wide noise can be removed by testing the $\overline{\text{NMI}}$ pin status several times using a skip instruction. The $\overline{\text{NMI}}$ pin status is not changed when tested by a skip instruction.

Caution The IE F/F is reset unconditionally when a non-maskable interrupt is generated, and the contents of the IE F/F prior to the non-maskable interrupt are not saved. Therefore, when returning to the main routine the original status of the IE F/F should be determined by means of the stack address when the non-maskable interrupt was generated.

Figure 9-5. Internal Configuration of $\overline{\text{NMI}}$ Pin



9.4 Maskable Interrupt Operation

Interrupt requests except non-maskable interrupts and the SOFTI instruction are maskable interrupts which can be enabled/disabled (IE F/F set/reset) by the EI/DI instructions and can be masked individually by means of the mask register.

When an external maskable interrupt is recognized as a normal interrupt signal by an active level input for more than the specified time, an interrupt request flag is set. If an internal interrupt request is generated, an interrupt request flag is immediately set. Once the interrupt request flag is set, both the external and internal interrupts are serviced using the following procedure (see **Figure 9-3 Interrupt Sampling**).

- (i) In the EI state (IE F/F=1), a check is made to see if the interrupt request flag has been set at the end checked at end of each instruction. If the flag has been set, the interrupt cycle starts. However, interrupt requests masked by the mask register are not checked.
- (ii) If two or more interrupt request flags have been set simultaneously, their priorities are checked. The interrupt with the highest priority is acknowledged and the others are held pending.
- (iii) When an interrupt request is acknowledged, the interrupt request flag is automatically reset. If two types of interrupt requests with the same priority have both been unmasked by the mask register, the interrupt request flag is not reset. This is because the two types are identified by software at a later stage.
- (iv) When an interrupt request is acknowledged, the IE F/F is reset, and all interrupts except non-maskable interrupts and the SOFTI instruction are placed in the disabled state (DI state).
- (v) The PSW, upper PC byte and lower PC byte are saved to the stack memory in that order.
- (vi) The program jumps to the interrupt address.

These interrupt operations are automatically carried out in 16 states.

The pending interrupt requests are acknowledged if there are no other interrupt requests of higher priority when interrupts are enabled by execution of the EI instruction.

With maskable interrupts there are two types of interrupt requests with the same priority and same interrupt address. Unmasking both types, unmasking one type, or masking both kinds can be selected by setting the mask register.

(1) When both types are unmasked

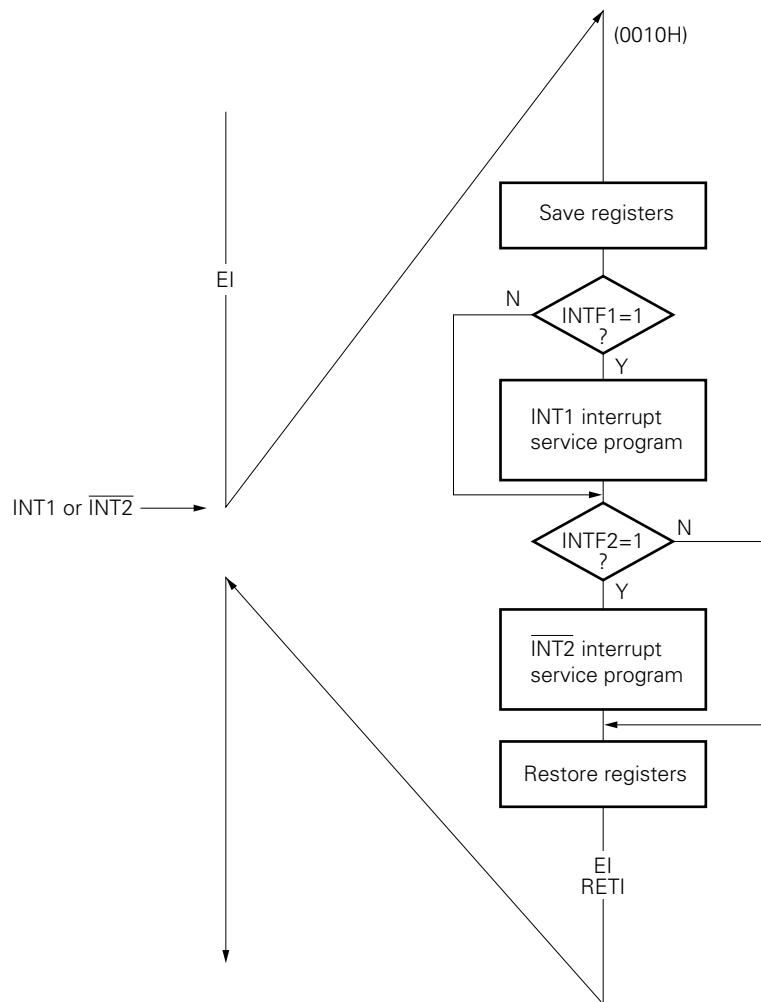
The corresponding bits of the mask register for two types of interrupt requests are both set to "0". In this case, the interrupt request is the logical sum of the two interrupt request flags.

If an interrupt request is acknowledged in accordance with the interrupt operation as a result of setting one or both interrupt request flags having the same priority and the program jumps to the interrupt address, the interrupt request flag is not reset. Therefore, the interrupt request is identified by executing a skip instruction which tests the interrupt request flag at the beginning of the interrupt service routine, and the interrupt request flag is reset.

The priority of interrupt requests with the same priority can be freely decided by the user by determining which of the two is first subject to execution of the skip instruction.

The interrupt servicing sequence when both INT1 and $\overline{\text{INT2}}$ are unmasked is shown in Figure 9-6.

Figure 9-6. Interrupt Servicing Sequence (Masking released for both INT1 and $\overline{\text{INT2}}$)



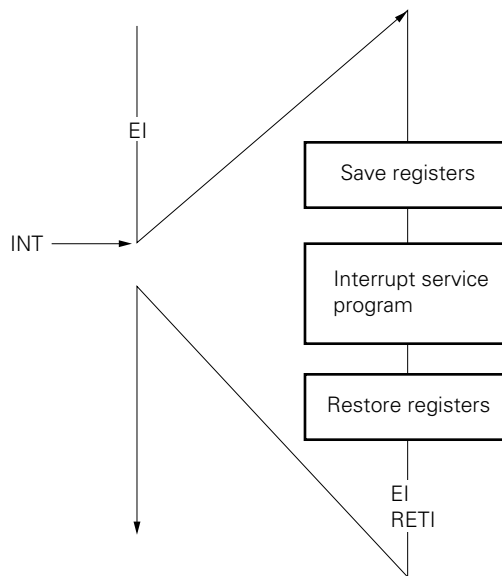
Remark In this example masking is released for both INT1 and $\overline{\text{INT2}}$ interrupt requests which have the same priority.

(2) When one type is unmasked

For two types of interrupt requests having the same priority, the corresponding bit of the mask register for the interrupt request to be unmasked is set to "0" and the other bit is set to "1". In this case, if an interrupt request is generated by setting the unmasked interrupt request flag and that interrupt request is acknowledged in accordance with the interrupt operation, the interrupt request flag is automatically reset.

When the masked interrupt request flag is set, that interrupt request is held pending. When the pending interrupt request is unmasked, it is acknowledged if there are no other interrupt requests of higher priority in the interrupt enable state. Whether or not the interrupt request flag for the acknowledged interrupt is automatically reset depends on the setting of the mask register of the same priority. If the other interrupt request is masked when masking is released the interrupt request flag is automatically reset, but if the other interrupt request remains unmasked when masking is released, the interrupt request flag is not reset even though the interrupt request is acknowledged (see **9.4 (1) When both types are unmasked**).

Figure 9-7. Interrupt Servicing Sequence (Masking released for either INT1 or $\overline{\text{INT2}}$)



Remark In this example masking is released by the mask register for one of the interrupt requests which have the same priority.

(3) When both types are masked

The corresponding bits of the mask register for two types of interrupt request are both set to "1". In this case, the interrupt requests are held pending and are not acknowledged when the interrupt request flag is set. When the pending interrupt requests are unmasked, they are acknowledged if there are no other interrupt requests of higher priority in the interrupt enabled state.

When execution of the interrupt service routine ends, processing is performed to return to the address at which the interrupt was acknowledged. First, registers, flags, etc., other than the PSW which have been saved are restored, and the IE F/F is set by the EI instruction. Next, an RETI instruction is executed to restore the previously saved return address and PSW in the order: lower PC byte, upper PC byte, PSW.

9.5 Interrupt Operation by SOFTI Instruction

When the SOFTI instruction is executed, the program jumps unconditionally to the interrupt address (0060H).

The SOFTI instruction interrupt is not affected by the IE F/F, and the IE F/F is not affected when this instruction is executed.

The servicing procedure for an interrupt generated by the SOFTI instruction is as follows:

- (i) The PSW, upper PC byte and lower PC byte are saved to the stack memory in that order.
- (ii) The program jumps to the interrupt address (0060H).

When execution of the interrupt service routine ends, processing is performed to return to the address at which the interrupt was acknowledged. First, registers, flags, etc., other than the PSW which have been saved are restored. Next, a RETI instruction is executed to restore the previously saved return address and PSW in the order: lower PC byte, upper PC byte, PSW.

Caution If the skip condition is satisfied by the instruction (arithmetic or logical operation, increment/decrement, shift, skip or RETS instruction) immediately before the SOFTI instruction, the SOFTI instruction is executed and not skipped. When SOFTI instruction is executed, the SK flag of the PSW is saved as set (1) to the stack area. Thus, when the return is made from the SOFTI service routine, the PSW SK flag remains set and the instruction following the SOFTI instruction is skipped.

Note that the 87AD series SOFTI instruction differs from that of the μ COM-87 in that the address contents saved to the stack memory are the start address of the next instruction.

9.6 Interrupt Wait Time

The time required from acknowledgement by the CPU of an asynchronously generated external interrupt until execution of the first instruction of the relevant interrupt service routine begins (the interrupt wait time) is the sum of time components I, II and III shown in Table 9-2.

This interrupt wait time varies depending on the kind of instruction being executed when the interrupt occurs and the instruction timing at which the interrupt occurs.

Table 9-2 shows maximum interrupt wait times.

The 14 states of component I (10 μ s max. in the case of $\overline{\text{NMI}}$) indicate the time required until the interrupt request signal becomes active and is recognized as a normal signal, and INTFx is set (1). Therefore, this time is only required in the case of $\overline{\text{NMI}}$, INT1 and $\overline{\text{INT2}}$ interrupts.

The 59 states of component II indicate the instruction execution time for the longest instruction. This time depends on the performance of the INTFx check at the end of each instruction (M ϵ T ϵ). Thus the required time for component II varies depending on the instruction being executed at that time, from a minimum of 4 states to a maximum of 59 states.

The 16 states of component III represent the time required to save the contents of the PSW and PC to the stack memory.

Table 9-2. Maximum Interrupt Wait Time

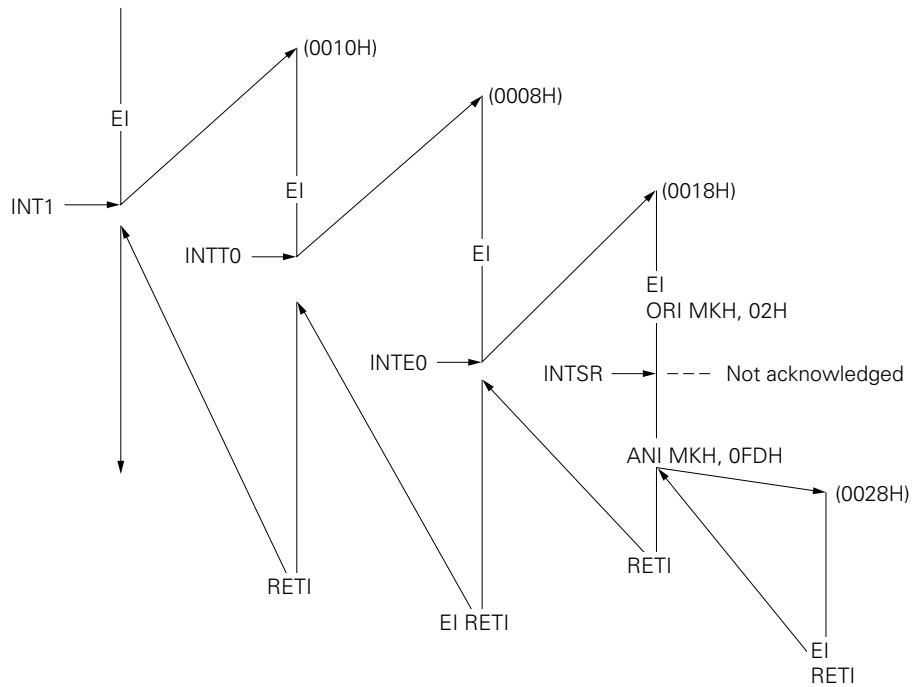
Wait Time Components		INT1, $\overline{\text{INT2}}$	$\overline{\text{NMI}}$	Others
I	Time required for noise elimination	14 states	10 μ s MAX.	0 states
II	Time required for instruction execution (divide instruction)	59 states	59 states	59 states
III	Time required for automatic save processing	16 states	16 states	16 states
Total time		89 states (22.25 μ s/12 MHz)	75 states + 10 μ s (28.75 μ s/12 MHz)	75 states (18.75 μ s/12 MHz)

9.7 Multiple Interrupts

When the EI instruction is executed all external and internal interrupt requests are enabled even when an interrupt service routine is being executed. Therefore, when the EI instruction is executed during execution of an interrupt service routine, acknowledgement is enabled even for that interrupt request itself or interrupt requests of lower priority. In this case too, if multiple interrupt requests are generated simultaneously, the highest-priority request is acknowledged and the lower-priority requests are held pending. The pending interrupt requests are acknowledged when the EI state is subsequently entered, if no other interrupt requests of higher priority have been generated.

Since there are practically no restrictions on the stack area used when an interrupt is generated as long as the memory size is sufficient, multiple interrupt levels can also be used without restriction (see **Figure 9-8**).

Figure 9-8. 3-Level Multiple Interrupts



Remark If masking is released by the mask register for two interrupt sources of the same priority, which of the two interrupt requests is concerned must be determined before executing the EI instruction at the start of the interrupt service routine.

[MEMO]

CHAPTER 10 CONTROL FUNCTIONS

10.1 Standby Functions

Three standby modes are available for the μ PD78C18 to save power consumption in the program standby state: The HALT mode, software STOP mode, and hardware STOP mode.

10.1.1 HALT mode

When the HLT instruction is executed, the HALT mode is set unless the interrupt request flag of the unmasked interrupt is set. In the HALT mode the CPU clock stops and program execution also stops. However, the contents of all registers and on-chip RAM just before the stoppage are retained. In the HALT mode, the timer, timer/event counter, serial interface, A/D converter and interrupt control circuit are operational. Table 10-1 shows the status of the μ PD78C18 output pins in the HALT mode.

Table 10-1. Output Pin Statuses

Output Pin	Single Chip ^{Note 1}	External Expansion
PA7 to PA0	Data retained	Data retained
PB7 to PB0	Data retained	Data retained
PC7 to PC0	Data retained	Data retained
PD7 to PD0	Data retained	High-impedance
PF7 to PF0	Data retained	Next address retained ^{Note 2} Data retained ^{Note 3}
\overline{WR} , \overline{RD}	High-level	High-level
ALE	High-level	High-level

Notes 1. μ PD78C18/78C14/78C14A/78C12A/78C11A/78CP18/78CP14

2. Address output pin

3. Port data output pin

- Cautions** 1. Because an interrupt request flag is used to release the HALT mode, HLT instruction execution does not set the HALT mode if even a single interrupt request flag for an unmasked interrupt is set. Thus, when setting the HALT mode when there is a possibility that an interrupt request flag may have been set (when there is a pending interrupt), one of the following procedures should be followed: First process the pending interrupt; or, reset the interrupt request flag by executing a skip instruction; or, mask all interrupts except those used to release the HALT mode.
2. This function is valid when pins PC7 to PC0 are in the control signal input/output mode. Therefore, TO output and serial transmission/reception is enabled in the HALT mode.

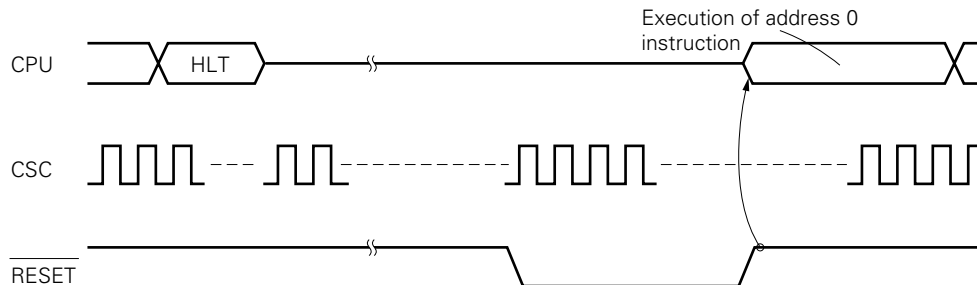
10.1.2 HALT mode release

(1) Release by $\overline{\text{RESET}}$ signal

When the $\overline{\text{RESET}}$ signal changes from the high to low level in the HALT mode, the HALT mode is released and the reset state is set. When the $\overline{\text{RESET}}$ signal returns to the high level, the CPU starts program execution at address 0.

When the $\overline{\text{RESET}}$ signal is input, the RAM contents are retained but the contents of other registers are indeterminate.

Figure 10-1. HALT Mode Release Timing ($\overline{\text{RESET}}$ Signal Input)



(2) Release by interrupt request flag

The HALT mode is released if at least one interrupt request flag is set by the generation of a non-maskable interrupt ($\overline{\text{NMI}}$) or one of ten unmasked maskable interrupts (INTT0, INTT1, INT1, $\overline{\text{INT2}}$, INTE0, INTE1, INTEIN, INTAD, INTST and INTSR).

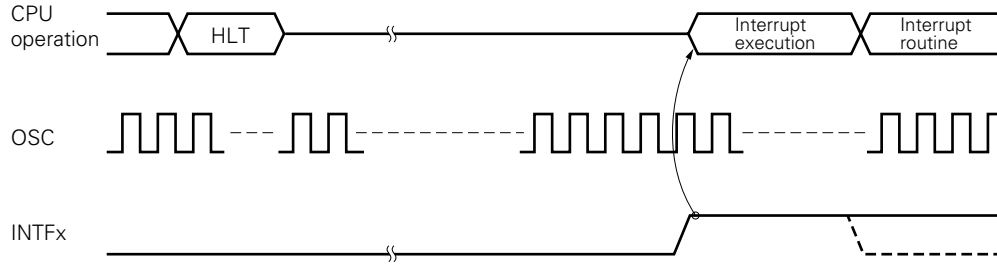
When the HALT mode is released by a non-maskable interrupt, the instruction following the HLT instruction is not executed and the program jumps to the interrupt address (0004H) irrespective of the interrupt enabled/disabled (EI/DI) state.

When the HALT mode is released by a maskable interrupt, operation after release differs depending on whether the EI or DI state is set.

(i) **EI state**

The instruction following the HLT instruction is not executed and the program jumps to the corresponding interrupt address.

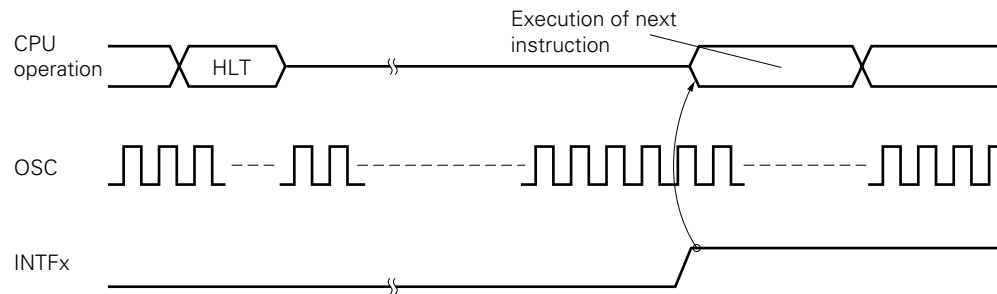
Figure 10-2. HALT Mode Release Timing (In EI State)



(ii) **DI state**

Execution restarts with the instruction following the HLT instruction (without jumping to the interrupt address). Since the interrupt request flag used for release remains set, it should be reset by a skip instruction when required.

Figure 10-3. HALT Mode Release Timing (In DI State)



10.1.3 Software STOP mode

When the STOP instruction is executed, the software STOP mode is set unless the interrupt request flag for an unmasked external interrupt is set. In the software STOP mode, all clocks stop. When this mode is set, program execution stops and the contents of all registers, on-chip RAM and flags except FT0 and FT1 just before stoppage are retained (the timer upcounter is cleared to 00H). Only the $\overline{\text{NMI}}$ and $\overline{\text{RESET}}$ signals used to release the software STOP mode are valid, and all other functions stop.

The statuses of the $\mu\text{PD78C18}$ output pins in the software STOP mode are the same as for the HALT mode, as shown in Table 10-2.

Table 10-2. Output Pin Statuses

Output Pin	Single Chip ^{Note 1}	External Expansion
PA7 to PA0	Data retained	Data retained
PB7 to PB0	Data retained	Data retained
PC7 to PC0	Data retained	Data retained
PD7 to PD0	Data retained	High-impedance
PF7 to PF0	Data retained	Next address retained ^{Note 2} Data retained ^{Note 3}
$\overline{\text{WR}}, \overline{\text{RD}}$	High-level	High-level
ALE	High-level	High-level

Notes 1. $\mu\text{PD78C18/78C14/78C14A/78C12A/78C11A/78CP18/78CP14}$

- 2. Address output pin
- 3. Port data output pin

- Cautions**
1. Internal interrupts should be masked before executing the STOP instruction to prevent errors due to an internal interrupt with the oscillation stabilization time upon release of the software STOP mode.
 2. The TIMER1 coincidence signal is used as the signal to start CPU operation to secure an oscillation stabilization period after the software STOP mode has been released by setting the non-maskable interrupt request flag. Thus, it is necessary to set a count value in timer REG which takes account of the oscillation stabilization time, and to set the timer mode register to the timer operating state, before executing the STOP instruction.
 3. Crystal oscillation or ceramic oscillation should be used when using the software STOP mode. The software STOP mode must not be used when an external clock is input.

10.1.4 Software STOP mode release

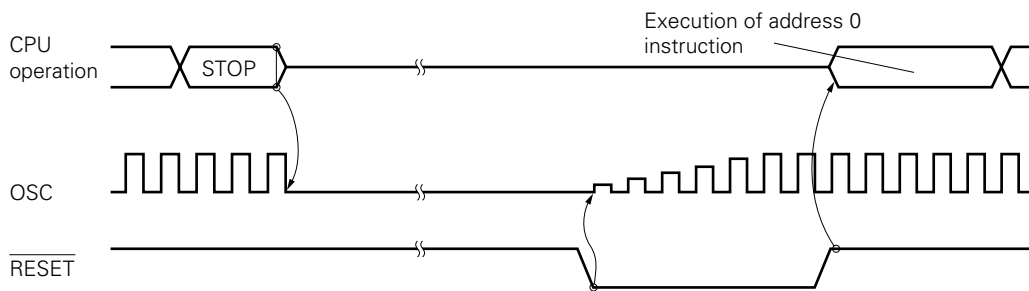
(1) Release by $\overline{\text{RESET}}$ signal

When the $\overline{\text{RESET}}$ signal changes from the high to low level in the software STOP mode, the software STOP mode is released and clock oscillation starts as soon as the reset state is set. When the $\overline{\text{RESET}}$ signal is driven high after oscillation has stabilized, the CPU starts program execution at address 0.

When the $\overline{\text{RESET}}$ signal changes from the high to low level, clock oscillation starts but it takes time for oscillation to stabilize. The $\overline{\text{RESET}}$ signal low-level width must therefore be longer than the oscillation stabilization time.

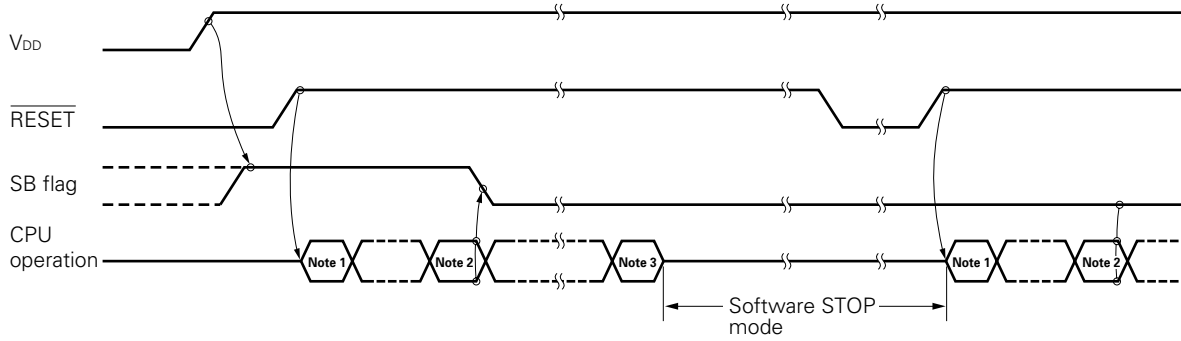
When the $\overline{\text{RESET}}$ signal is input, the RAM contents are retained but the contents of other registers are indeterminate.

Figure 10-4. Software STOP Mode Release Timing ($\overline{\text{RESET}}$ Signal Input)



If the software STOP mode is released by the $\overline{\text{RESET}}$ signal, program execution starts at address 0 as in the case of a normal power-on reset. The SB (Standby) flag can be used to identify the program execution mode. The SB flag is set (1) when the V_{DD} pin rises from the specified low level or below to the specified high level or above, and is reset (0) by executing a skip instruction. Thus, testing the SB flag using a skip instruction in the program executed after $\overline{\text{RESET}}$ input makes it possible to differentiate between a power-on start and a start due to release of the software STOP mode (see **Figure 10-5**). A set (1) SB flag indicates a power-on start, and a reset (0) SB flag indicates a start due to release of the software STOP mode.

Figure 10-5. SB Flag Operation

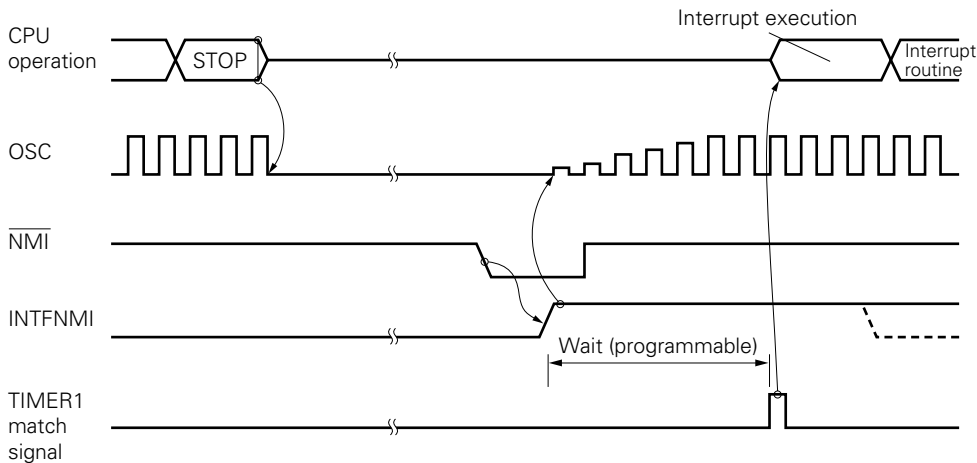


- Notes**
1. Execution of address 0 instruction
 2. Execution of SKIT SB or SKNIT SB instruction
 3. Execution of STOP instruction

(2) Release by $\overline{\text{NMI}}$ pin input

When the non-maskable interrupt request flag is set (i.e. when the $\overline{\text{NMI}}$ pin input changes from high to low) in the software STOP mode, the software STOP mode is released and simultaneously clock oscillation starts. When clock oscillation starts, the timer upcounter starts counting up from 00H in accordance with the setting before execution of the STOP instruction. CPU operation is started by a match signal (wait time taking account of the oscillation stabilization time) from the TIMER1 upcounter. In this case, the upcounter match signal does not set the interrupt request flag. The timer mode register of the timer after generation of the match signal is set to FFH and timer operation is stopped. After the elapse of the oscillation stabilization time, the program jumps to the interrupt address (0004H) irrespective of the interrupt enabled/disabled (EI/DI) state and without executing the instruction following the STOP instruction.

Figure 10-6. Software STOP Mode Release Timing ($\overline{\text{NMI}}$ Signal Input)



10.1.5 Hardware STOP mode

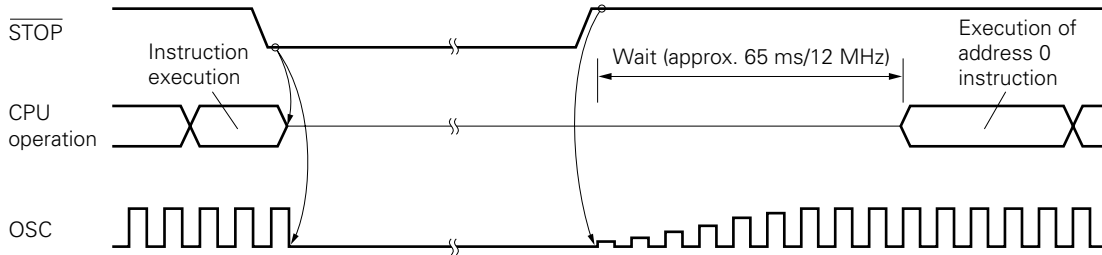
When the $\overline{\text{STOP}}$ signal changes from the high to low level, the hardware STOP mode is set. In this mode all clocks stop. When the hardware STOP mode is set, program execution stops and the on-chip RAM contents just before stoppage are retained, and the $\overline{\text{STOP}}$ signal used to release the hardware STOP mode is valid. All other functions stop and the reset state is set. In the hardware STOP mode, the $\mu\text{PD78C18}$ output pins become high-impedance. However, the port output latch values are retained.

- Cautions**
- 1. Crystal oscillation or ceramic oscillation should be used when using the hardware STOP mode. The hardware STOP mode must not be used when an external clock is input.**
 - 2. The STOP mode is entered at a machine cycle boundary. Thus memory contents are not corrupted, but the STOP mode may be entered midway through execution of an instruction. Therefore, with instructions which perform a 16-bit data transfer the STOP mode may be entered after only 8 bits have been transferred, with the transfer of the remaining 8 bits incomplete (16-bit data transfer instructions and call instructions).**
 - 3. If the $\overline{\text{STOP}}$ signal is input (high low level) during reset input ($\overline{\text{RESET}}$ = low level), a transition is made from the reset state to the STOP mode.**
 - 4. The $\overline{\text{STOP}}$ pin must be driven high after powering-on. The reset will not function correctly if the $\overline{\text{STOP}}$ pin is left low. The $\overline{\text{STOP}}$ pin can be driven low after oscillator operation has stabilized.**

10.1.6 Hardware STOP mode release

When the $\overline{\text{STOP}}$ signal changes from the low to high level in the hardware STOP mode, the hardware STOP mode is released and simultaneously clock oscillation starts. After the elapse of the wait time (approximately 65 ms at 12 MHz) which takes account of the oscillation stabilization time, the CPU starts program execution at address 0 (see **Figure 10-7**).

Figure 10-7. Hardware STOP Mode Release Timing ($\overline{\text{STOP}}$ Signal Input)



The hardware STOP mode is not released by a high-to-low transition of the $\overline{\text{RESET}}$ signal.

When the $\overline{\text{STOP}}$ signal changes from low to high while the $\overline{\text{RESET}}$ signal is low, the hardware STOP mode is released and clock oscillation starts. If the $\overline{\text{RESET}}$ signal returns from the low to high level, the CPU starts program execution at address 0 without waiting for the elapse of the oscillation stabilization time (see **Figure 10-8**).

If the $\overline{\text{RESET}}$ signal changes from the high to low level just after the hardware STOP mode has been released (after the $\overline{\text{STOP}}$ signal has changed from the low to high level), program execution starts when the $\overline{\text{RESET}}$ signal changes from the low to high level (see **Figure 10-9**).

The oscillation stabilization time should therefore be taken into account when returning the $\overline{\text{RESET}}$ signal to the high level.

After $\overline{\text{RESET}}$ signal input RAM contents are retained, but the contents of other registers are undefined.

Figure 10-8. Hardware STOP Mode Release Timing ($\overline{\text{RESET}}$ Signal Input)

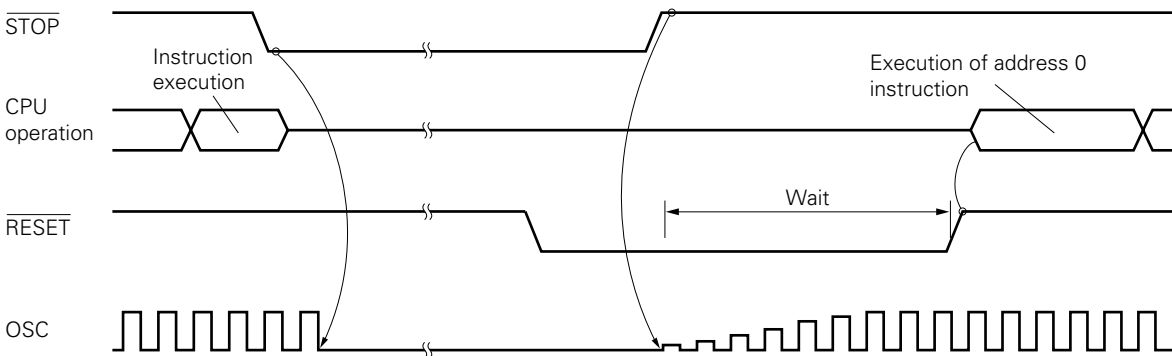
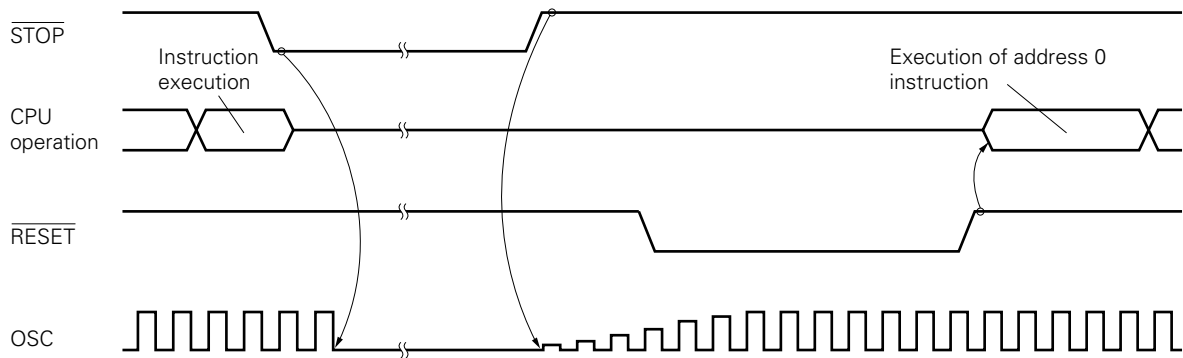


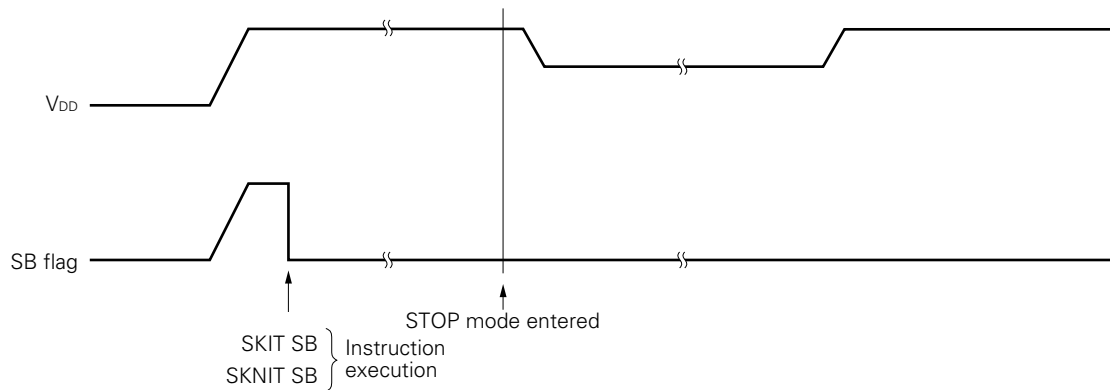
Figure 10-9. Hardware STOP Mode Release Timing ($\overline{\text{STOP}}$ Signal Rising to $\overline{\text{RESET}}$ Signal Input)

In the case of a hardware STOP mode release, as with a release of the software STOP mode by means of the $\overline{\text{RESET}}$ signal, it is possible to differentiate between a power-on start and a start due to release of the hardware STOP mode by testing the SB flag using a skip instruction.

10.1.7 Low supply voltage data retention mode

The low supply voltage data retention mode can be set by decreasing the V_{DD} supply voltage after setting the software/hardware STOP mode. RAM contents can be retained with lower power dissipation than in the software/hardware STOP mode.

When returning from the software/hardware STOP mode by means of a reset, the SB flag is used to determine whether the reset is a power-on reset. The SB flag is set (1) only when the supply voltage (V_{DD}) changes from a given voltage or below to a given voltage or above. This flag can be tested by the SKIT SB or SKNIT SB instruction, and is automatically reset (0) when either of these instructions is executed.

Figure 10-10. Relation between V_{DD} and SB Flag

Caution The software/hardware STOP mode should not be released while in the low supply voltage data retention mode. V_{DD} must be raised to the normal operating voltage before the release is performed.

10.2 Reset Functions

When a low level signal is input to the $\overline{\text{RESET}}$ pin, a system reset is effected and initialization is performed as shown below.

Table 10-3. Hardware States after Reset (1/2)

Hardware			State after Reset
Internal data memory	Power-on reset		Previous contents retained
	Reset input during normal operation	During CPU write operation	Write address data Undefined
		During non-write CPU operation	
Extended accumulator (EA, EA')			Undefined
Accumulators (A, A')			
General-purpose register (B, C, D, E, H, L, B', C', D', E', H', L')			
Working register/vector register (V, V')			
Program counter (PC)			0000H
Stack pointer (SP)			Undefined
Ports	Mode registers (MA, MB, MC, MF)		FFH
	Mode control register (MMC)		00H
	MM registers (MM0, 1, 2)		
Port output latches			Undefined
Interrupts	Interrupt enable F/F		0
	Request flags		
	Mask register		FFH
Test flags (except SB flag)			0
Standby flag (SB)	Power-on reset		1
	In standby mode		Previous contents retained
	Reset input during normal operation		Contents before RESET input retained
Timer	Timer mode register (TMM)		FFH
	Timer F/F		0
	Timer registers (TM0, TM1)		Undefined
Timer/event counter	Timer/event counter mode register (ETMM)		00H
	Timer/event counter output mode register (EOM)		
	Timer/event counter registers (ETM0, ETM1)		Undefined
	Timer/event counter capture register (ECPT)		
	Timer/event counter (ECNT)		
Serial interface	Serial mode high register (SMH)		00H
	Serial mode low register (SML)		48H

Table 10-3. Hardware States after Reset (2/2)

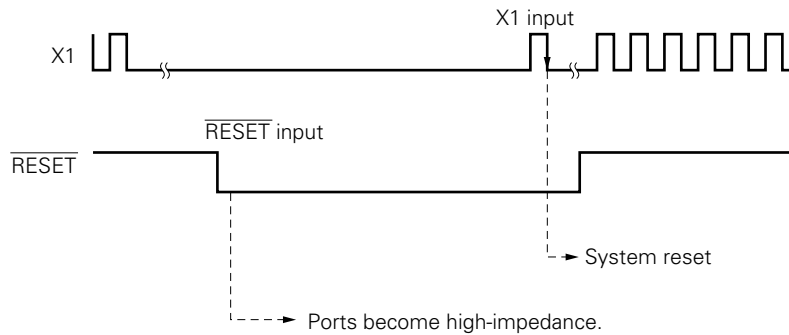
Hardware	State after Reset
A/D channel mode register (ANM)	00H
MM register RAE bit (MM3)	Undefined
Zero-cross mode register (ZC)	1

Table 10-4. Pin States after Reset

Pin	State after Reset
\overline{WR}	High-impedance
\overline{RD}	
ALE	
All ports (PA, PB, PC, PD, PF)	

When the \overline{RESET} input changes from low to high, program execution starts at address 0000H; the contents of the various registers should be initialized or re-initialized as required in the program.

Caution With an external clock input, if V_{DD} is within the operating voltage range all the pins are high-impedance after \overline{RESET} signal input. Then a system reset is effected after X1 input. However, this does not apply when the clock is not input at all to X1 after powering-on.



10.3 Clock Generation Circuit

The μ PD78C18 incorporates a clock generation circuit, allowing the necessary clock to be generated simply by connecting a crystal or a ceramic resonator and capacitors. It is also possible to input an externally generated clock. Figure 10-11 shows a circuit with a resonator connected, and Figure 10-12 shows an example of a circuit when an external clock is input.

Figure 10-11. Oscillator Connection Circuit

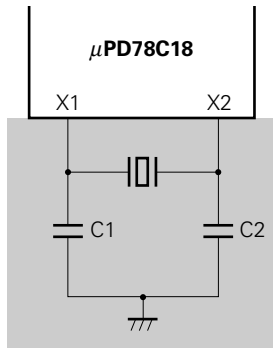
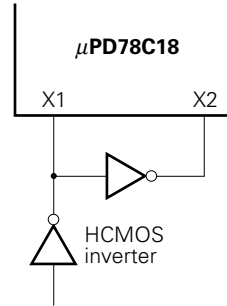


Figure 10-12. Example of External Clock Input Circuit

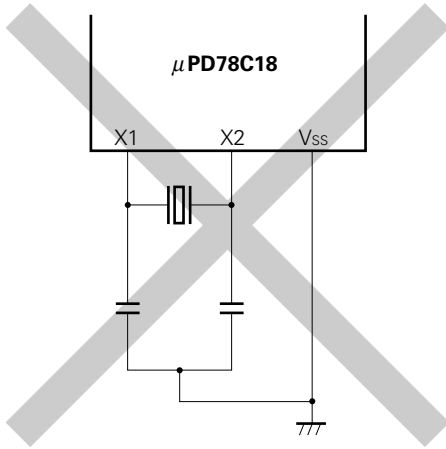


Caution When using the system clock oscillator, the shaded area in Figure 10-11 should be wired in order to avoid effects of wiring capacitor etc., as shown below.

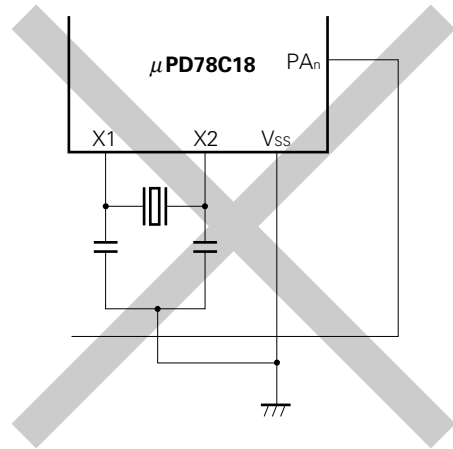
- Minimize the length of wiring.
- Do not cross other signal lines, or position wiring close to a variable high current.
- The connecting point of the oscillator capacitor should always be the same potential as V_{ss} . Do not connect it to the gland pattern where there is a high current.
- Do not pick up the signal from the oscillator.

Figure 10-13. Examples of Poor Resonator Connection Circuit

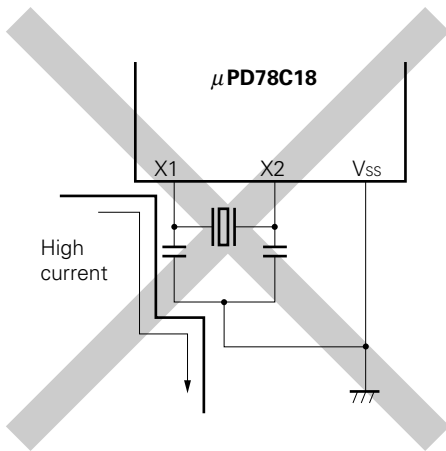
(a) Long Connection Circuit Wiring



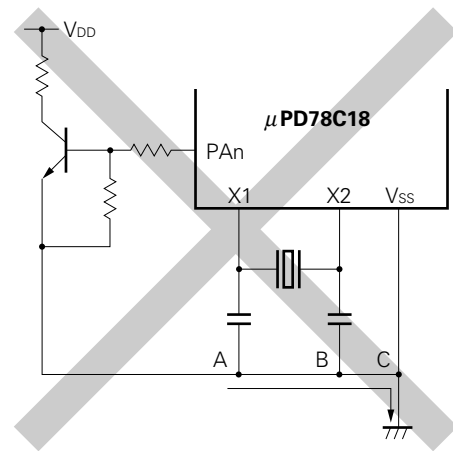
(b) Crossed Signal Lines



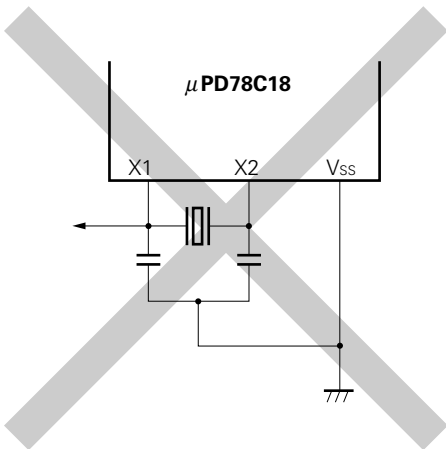
(c) Signal Line Close to Varying High Current



(d) Current Flows an Oscillator Ground Line (Potentials at A, B, and C fluctuate)



(e) Signal is Picked Up



The wiring should also be kept as short as possible when an external clock is input, to prevent the effects of extraneous electromagnetic wave radiation or external noise.

When the hardware/software STOP mode is entered, the X1 and X2 pin levels are fixed. Therefore, the hardware/software STOP mode should not be used when an external clock is used. When the hardware/software STOP mode is used, a crystal or ceramic resonator should be used.

When the device is powered on, and when returning from the hardware/software STOP mode, sufficient time must be allowed for the oscillation to stabilize. The time required for oscillation stabilization is several ms when a crystal is used, and several hundred μ s when a ceramic resonator is used.

An adequate oscillation stabilization period should be secured by the following means:

- <1> $\overline{\text{RESET}}$ input when powering-on (reset period).
- <2> $\overline{\text{RESET}}$ input (reset period) or automatically used timer when returning from the hardware STOP mode.
- <3> $\overline{\text{RESET}}$ input or preset timer when returning from the software STOP mode.

Using a crystal resonator, $C1 = C2 = 10 \text{ pF}$ should be kept. The values of C1 and C2 as recommended resonator when a ceramic resonator is used are shown in Table 10-5.

Table 10-5. Recommended Ceramic Resonator (1/2)

Product Name	Manufacturer	Part Name	Recommended	
			C1 [pF]	C2 [pF]
μPD78C10A, 78C11A, 78C12A	Murata Mfg. Co., Ltd.	CSA15.00MX001	15	15
		CSA12.0MT	30	30
		CST12.0MT	Built in	Built in
		CST12.0MTW	Built in	Built in
		CSA7.37MT	30	30
		CST7.37MT	Built in	Built in
	TDK	FCR15.0MC	Built in	Built in
		FCR10.0MC	Built in	Built in
		FCR8.0MC	Built in	Built in
μPD78C14	Murata Mfg. Co., Ltd.	CSA15.0MX3	22	22
		CSA12.0MT	30	30
		CST12.0MT	Built in	Built in
		CST12.0MTW	Built in	Built in
		CSA10.0MT	30	30
		CST10.0MT	Built in	Built in
		CST10.0MTW	Built in	Built in
		CSA6.00MG	30	30
	TDK	FCR15.0MC	Built in	Built in
		FCR12.0MC	Built in	Built in
		FCR10.0MC	Built in	Built in
		FCR8.0MC	Built in	Built in
		FCR6.00MG	Built in	Built in
μPD78C14A	Murata Mfg. Co., Ltd.	CSA15.0MX3	22	22
		CSA12.0MT	30	30
		CST12.0MT	Built in	Built in
		CST12.0MTW	Built in	Built in
		CSA10.0MT	30	30
		CST10.0MT	Built in	Built in
		CST10.0MTW	Built in	Built in
		CSA6.00MG	30	30
	TDK	FCR12.0MC	Built in	Built in
		FCR6.00MG	Built in	Built in

Table 10-5. Recommended Ceramic Resonator (2/2)

Product Name	Manufacturer	Part Name	Recommended	
			C1 [pF]	C2 [pF]
μPD78CG14	Murata Mfg. Co., Ltd.	CSA15.0MX3	22	22
		CSA12.0MT	30	30
		CST12.0MT	Built in	Built in
μPD78CP14	Murata Mfg. Co., Ltd.	CSA12.0MT	30	30
		CST12.0MTW	Built in	Built in
		CSA10.0MT	30	30
		CST10.0MTW	Built in	Built in
		CSA8.00MT	30	30
		CST8.00MTW	Built in	Built in
μPD78C17, 78C18	Murata Mfg. Co., Ltd.	CSA15.00MX001	22	22
		CST15.00MXW001	Built in	Built in
		CSA10.0MT	30	30
		CST10.0MTW	Built in	Built in
		CSA8.00MT	30	30
		CST8.00MTW	Built in	Built in
	TDK	FCR15.0MC	Built in	Built in
		FCR10.0MC	Built in	Built in
		FCR8.0MC	Built in	Built in

Remark Use of crystal and ceramic resonator

Generally speaking, the oscillation frequency of a crystal is extremely stable, and it is therefore ideal for high-precision time management (for example, in clocks and watches, measuring instruments, etc.). The oscillation frequency stability of a ceramic resonator is not as high as that of a crystal, but it offers three advantages: a fast oscillation start-up time, small size, and low cost. It is therefore suitable for general applications in which high-precision time management is not required. In addition, products with built-in capacitors, etc., are available, offering the advantage of fewer parts and reduced mounting area.

CHAPTER 11 EXTERNAL DEVICE ACCESSES AND TIMINGS

11.1 μ PD78C18/78C14/78C14A/78C12A/78C11A External Device Accesses

For the μ PD78C18/78C14/78C14A/78C12A/78C11A, the areas shown below can be used for external device expansion (data memory, program memory or peripheral devices).

- μ PD78C18 : Addresses 8000H to FBFFH (31K bytes)
- μ PD78C14, 78C14A : Addresses 4000H to FEFH (48K bytes)
- μ PD78C12A : Addresses 2000H to FEFH (56K bytes)
- μ PD78C11A : Addresses 1000H to FEFH (60K bytes)

The memory mapping register (MM) is used for external device expansion. Pins PD7 to PD0 are used as a multiplexed address/data bus (AD7 to AD0), and pins PF7 to PF0 are used as an address bus (AB15 to AB8). With pins PF7 to PF0, the number of bits functioning as the address bus can be varied according to the size of the external expansion memory, and memory can be expanded in steps from 256 bytes up to 31K/48K/56K/60K bytes (depending on the product). Pins which are not used for the address bus can be used as general-purpose input/output port pins (see **Table 11-1**).

Table 11-1. PF7 to PF0 Address Bus Selection

PF7	PF6	PF5	PF4	PF3	PF2	PF1	PF0	External Address Space
Port	Port	Port	Port	Port	Port	Port	Port	Up to 256 bytes
Port	Port	Port	Port	AB11	AB10	AB9	AB8	Up to 4K bytes
Port	Port	AB13	AB12	AB11	AB10	AB9	AB8	Up to 16K bytes
AB15	AB14	AB13	AB12	AB11	AB10	AB9	AB8	Up to 31K/48K/56K/60K bytes ^{Note}

Note 31K (μ PD78C18), 48K (μ PD78C14/78C14A), 56K (μ PD78C12A), 60K (μ PD78C11A)

When an external device reference instruction is executed in the 256-byte expansion mode, the μ PD78C18/78C14/78C14A/78C12A/78C11A masks the high-order 8 bits of the 16-bit external reference address, and outputs a value from 00H to FFH from pins PD7 to PD0 (AD7 to AD0) as address information.

Similarly, in the 4K-byte expansion mode, the μ PD78C18/78C14/78C14A/78C12A/78C11A masks the high-order 4 bits of the 16-bit external reference address, and outputs a value from 000H to FFFH from pins PF3 to PF0 (AB11 to AB8) and pins PD7 to PD0 as address information.

Similarly, in the 16K-byte expansion mode, the μ PD78C18/78C14/78C14A/78C12A/78C11A masks the high-order 2 bits of the 16-bit external reference address, and outputs a value from 0000H to 3FFFH from pins PF5 to PF0 (AB13 to AB8) and pins PD7 to PD0 as address information.

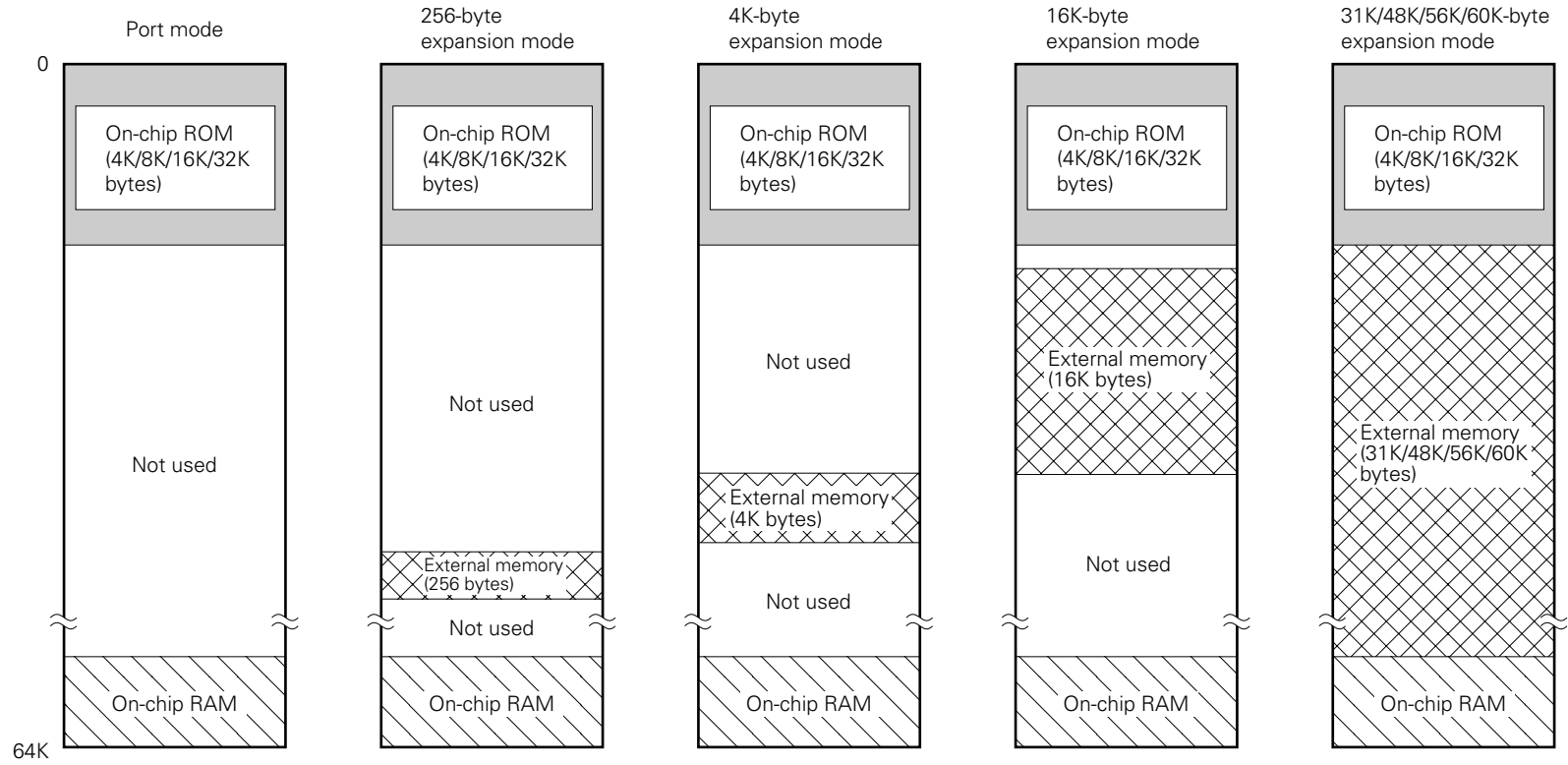
As the high-order bits of the 16-bit address are masked in this way in the 256-byte/4K-byte/16K-byte expansion modes, the external device can be located in any desired 256-byte/4K-byte/16K-byte area in the external 60K-byte area. However, if, in the 16K-byte expansion mode, external ROM is connected in the expansion area and addresses 1000H to 4FFFH following the on-chip ROM are used as the external ROM area, it should be noted that there will be the following differences between the program counter (PC) and the address which is actually output from pins PF5 through PF0 and PD7 through PD0.

PC	PF5-0, PD7-0
1000H	1000H
⋮	⋮
3FFFH	3FFFH
4000H	0000H
⋮	⋮
4FFFH	0FFFH

When external ROM addresses are used as consecutive addresses, the external ROM area should be set in addresses 4000H to 7FFFH. Since, in this case, on-chip ROM and external ROM are not in consecutive addresses, a jump instruction must be used to move the program to the respective areas. The same applies if the external ROM area is set in addresses 8000H to BFFFH.

- Cautions 1. The internal address bus contents are output in all machine cycles to port D when it is functioning as an address/data bus. Also, the internal address bus contents are output in all machine cycles from port F pins functioning as an address bus. However, \overline{RD} and \overline{WR} signals are only output in a memory cycle.**
- 2. Software which dynamically changes the operating mode of port D and port F cannot be emulated by an emulator, and therefore should not be used.**

Figure 11-1. External Expansion Modes Set by Memory Mapping Register



11.1.1 Memory mapping register (MM)

The memory mapping register is an 8-bit register which performs the following controls:

- Port/expansion mode specification for PD7 to PD0 and PF7 to PF0
- Enabling/disabling of on-chip RAM accesses
- Specification of on-chip EPROM access range (μ PD78CP18/78CP14 only: See **CHAPTER 12 PROM ACCESSES (μ PD78CP18/78CP14 ONLY)**)

The configuration of the memory mapping register is shown in Figure 11-2.

(1) Bits MM0 to MM2

These bits control the PD7 to PD0 port/expansion mode and input/output specification, and the PF7 to PF0 address output specification.

As shown in Figure 11-2, there is a choice of four capacities for the connectable external memory:

- 256 bytes
- 4K bytes
- 16K bytes
- 31K/48K/56K/60K bytes: 31K bytes of external expansion memory can be connected to the μ PD78C18, 48K bytes to the μ PD78C14/78C14A, 56K bytes to the μ PD78C12A, and 60K bytes to the μ PD78C11A.

Any of the pins PF7 to PF0 not used as address outputs can be used as general-purpose port pins. $\overline{\text{RESET}}$ input or the hardware STOP mode resets (0) these bits and sets PD7 to PD0 to input port mode (high-impedance).

(2) MM3 bit (RAE)

This bit controls enabling (RAE=1) and disabling (RAE=0) of on-chip RAM accesses.

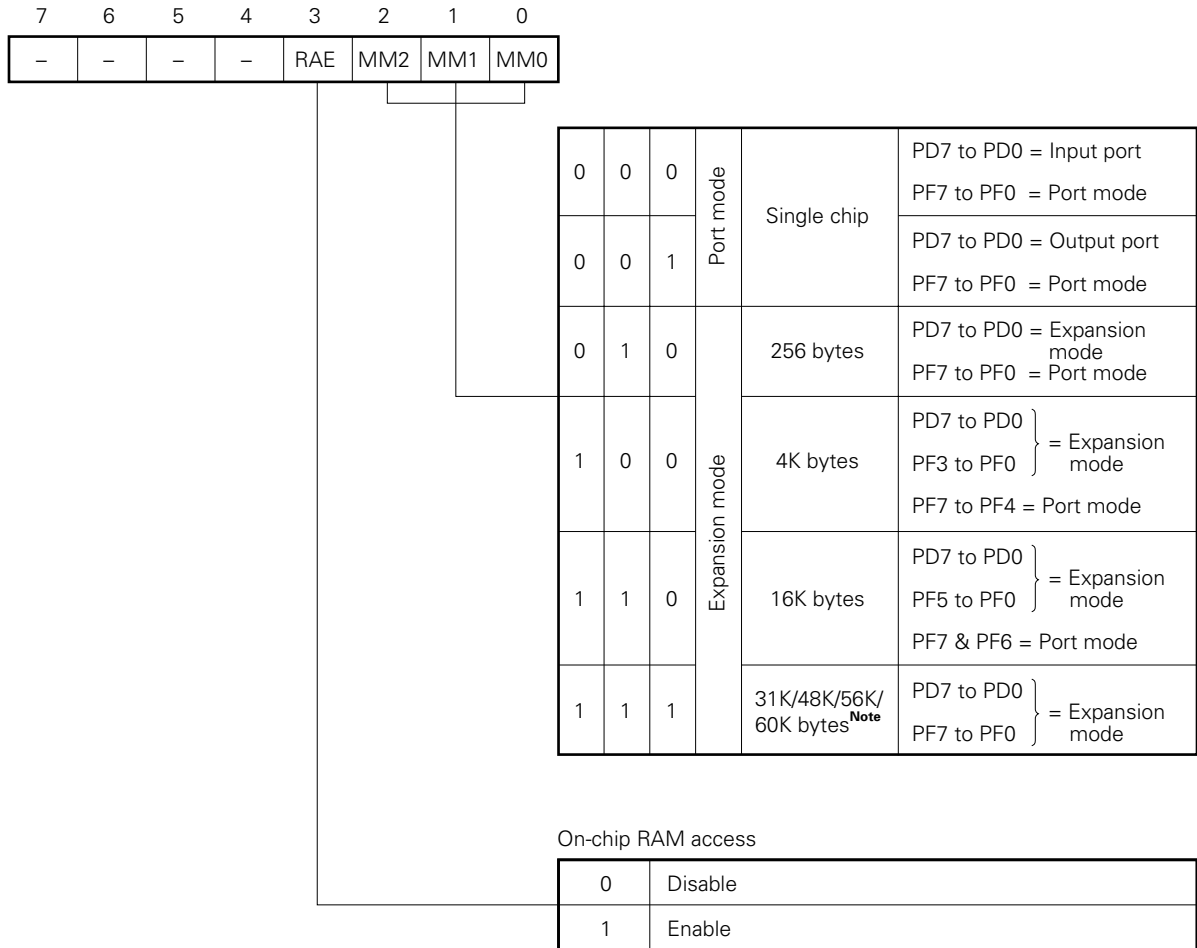
This bit should be set to "0" during standby operation and when externally connected RAM and not on-chip RAM is used.

In normal operation this bit retains its value when $\overline{\text{RESET}}$ is input.

- Cautions**
- 1. Overwriting the RAE bit during program execution allows an apparent increase of 256 bytes in the memory space. However, this operation cannot be emulated by an emulator, and should therefore not be performed.**
 - 2. The RAE bit is undefined after a power-on reset, and must therefore be initialized by an instruction.**

In the μ PD78CP18/78CP14, bit MM5 to MM7 are also valid: These are used to specify the access range of the on-chip EPROM. See **CHAPTER 12 PROM ACCESSES (μ PD78CP18/78CP14 ONLY)** for details.

Figure 11-2. Memory Mapping Register Format (μ PD78C18/78C14/78C14A/78C12A/78C11A)

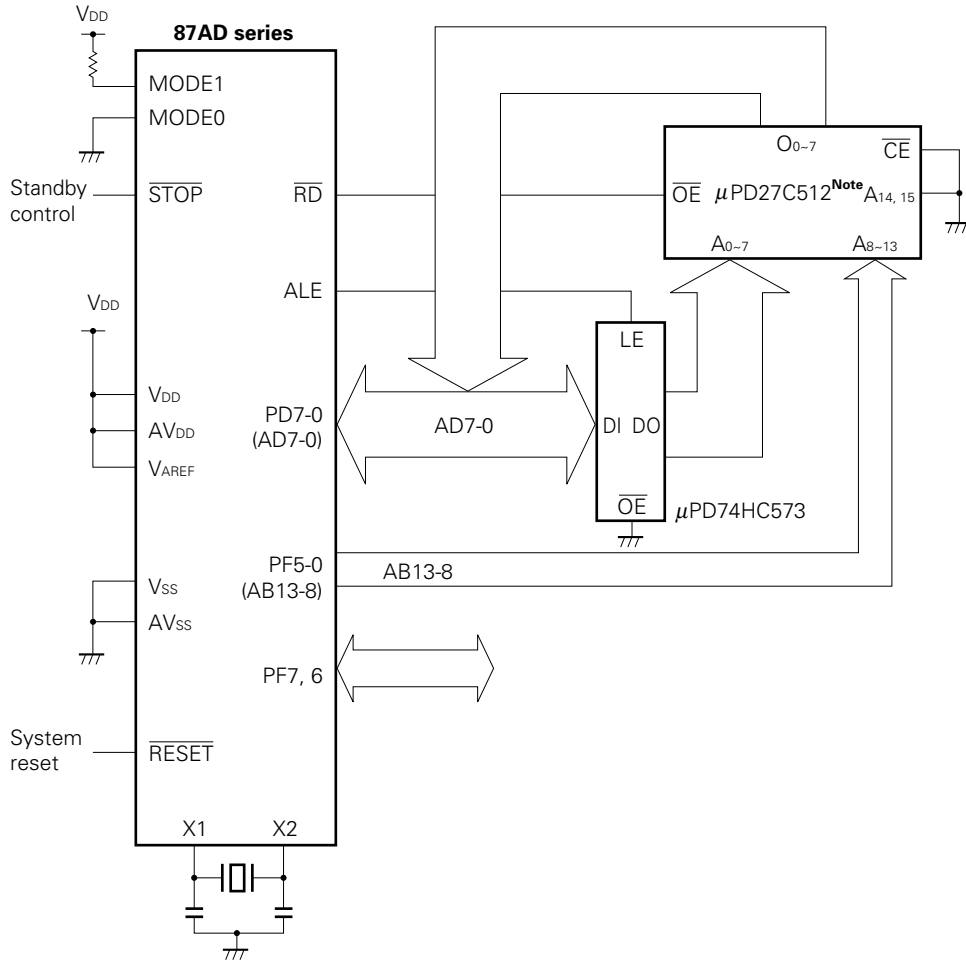


Note 31K (μ PD78C18), 48K (μ PD78C14/78C14A), 56K (μ PD78C12A), 60K (μ PD78C11A)

11.1.2 Example of memory expansion

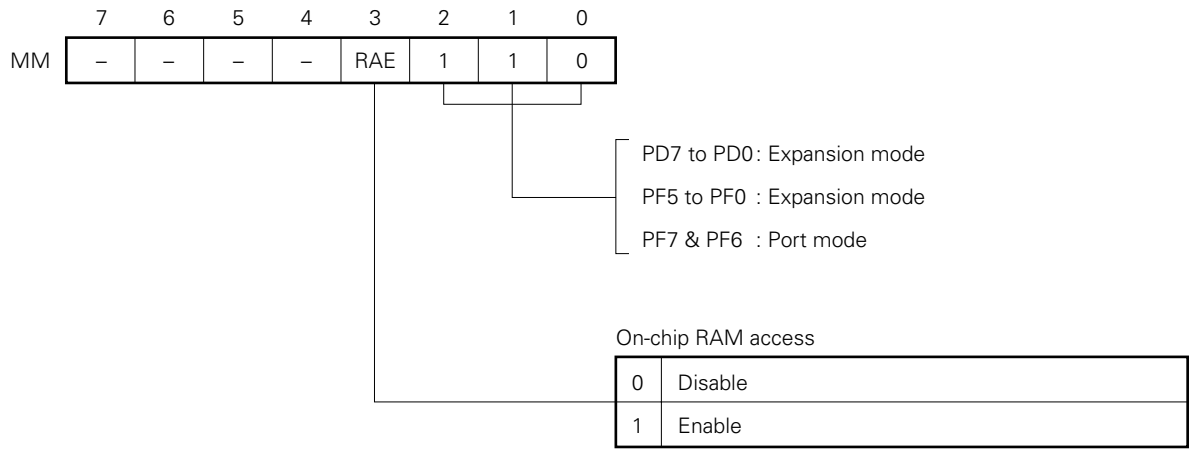
Figure 11-3 shows an example of a configuration with 16K bytes of external expansion ROM, and Figure 11-4 shows the data set in the memory mapping register for this configuration.

Figure 11-3. Example of Memory Expansion (Reference Diagram)



Note μPD27C512 uses only 16K bytes.

Figure 11-4. Memory Mapping Register Settings



11.1.3 Example of peripheral device connection

In the μ PD78C18/78C14/78C14A/78C12A/78C11A, a μ PD8085 type bus system is used in which the data bus and low-order 8-bits of the address bus are multiplexed. Therefore, a large number of μ PD8085 peripheral devices can be connected.

When peripheral devices are connected, since the μ PD78C18/78C14/78C14A/78C12A/78C11A has no I/O address space, memory mapped I/O must be used for all of them. The connection of typical peripheral devices is illustrated here.

Figure 11-5 shows an example of a configuration in which external memory and a parallel interface unit (μ PD71055) are connected. The memory maps for the μ PD78C18/78C14/78C14A/78C12A/78C11A when set to the full expansion mode are shown in Figure 11-6 to 11-9.

An example of the control program for the μ PD71055 is shown below.

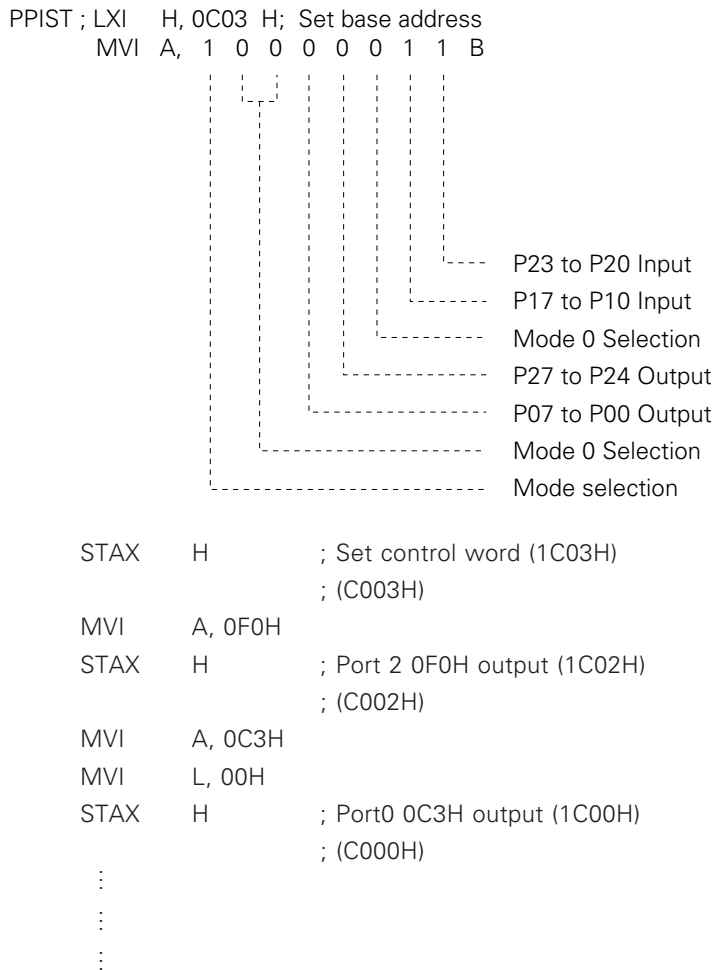


Figure 11-5. μ PD71055 Connection Diagram (Reference Diagram)

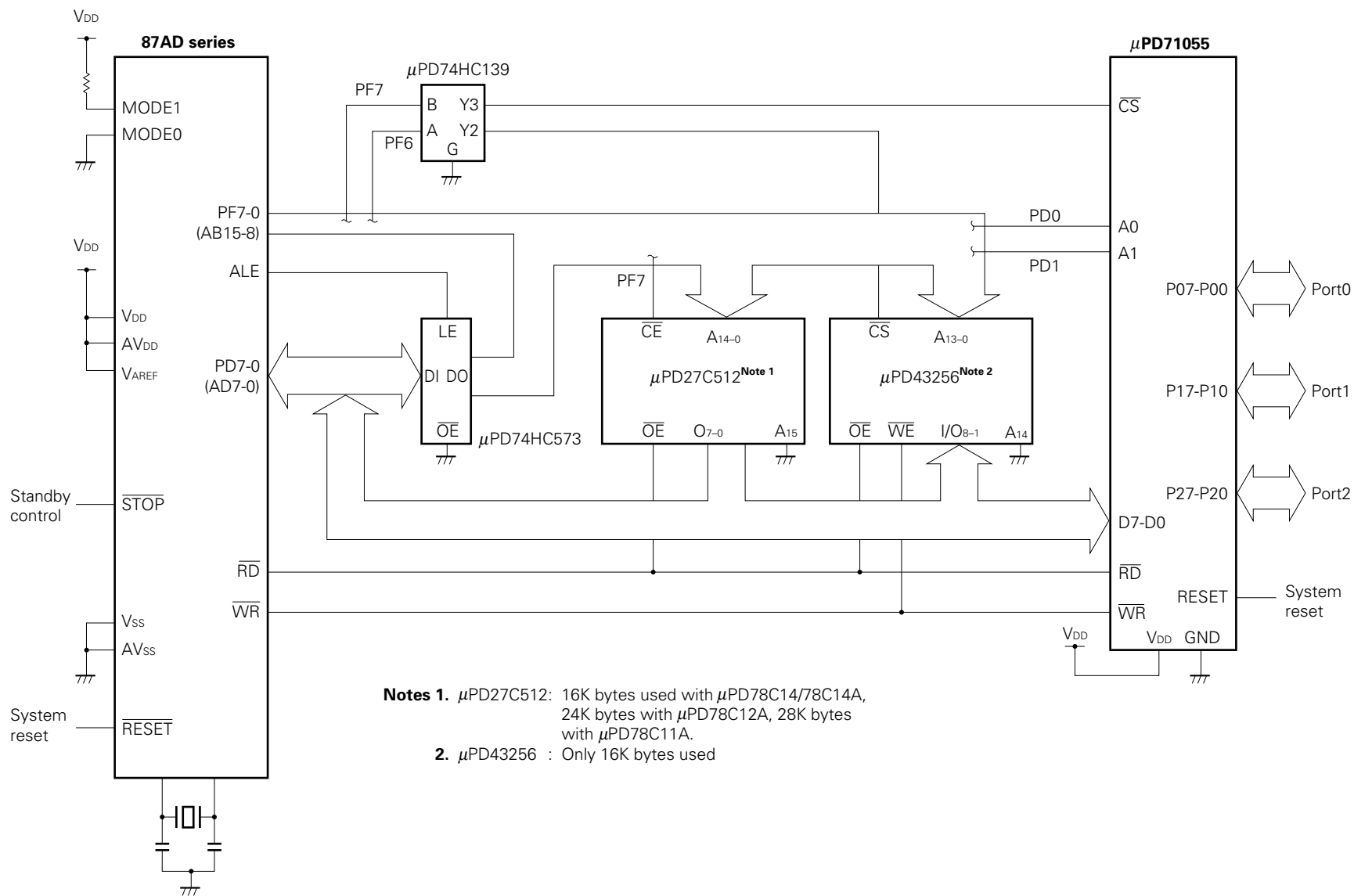
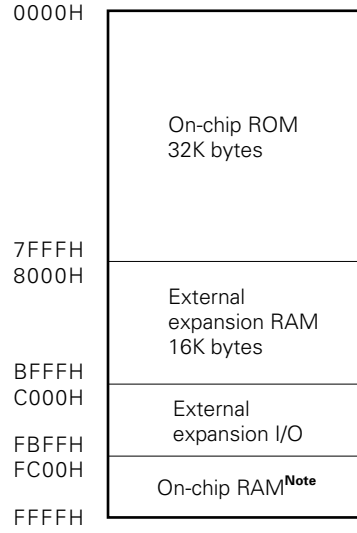
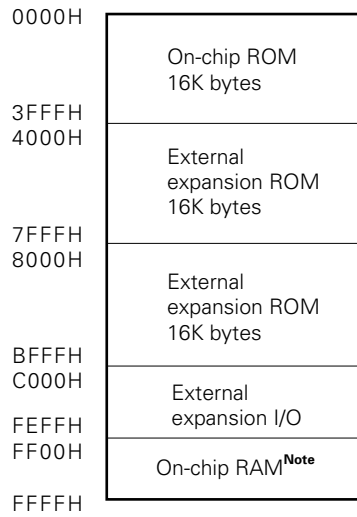


Figure 11-6. Memory Map (μ PD78C18)



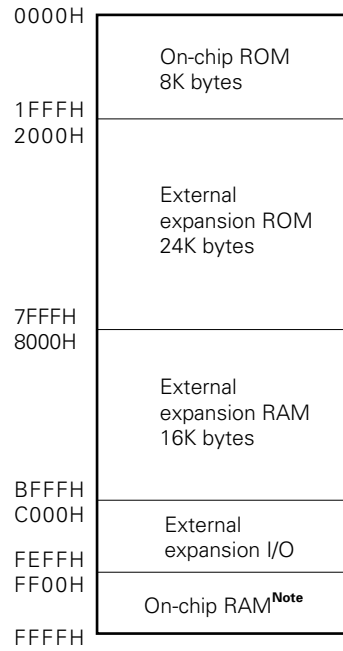
Note Can only be used when the RAE bit of the MM register is "1".

Figure 11-7. Memory Map (μ PD78C14/78C14A)



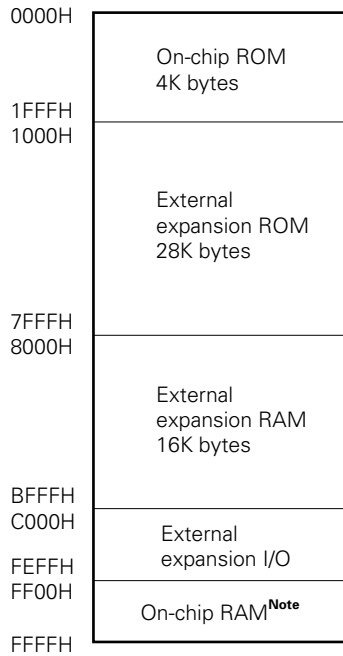
Note Can only be used when the RAE bit of the MM register is "1".

Figure 11-8. Memory Map (μ PD78C12A)



Note Can only be used when the RAE bit of the MM register is "1".

Figure 11-9. Memory Map (μ PD78C11A)



Note Can only used when the RAE bit of the MM register is "1".

11.2 μ PD78C17/78C10A External Device Access

As the μ PD78C17/78C10A have no on-chip ROM, it is possible to install an external device (program memory, data memory, or a peripheral device) in an external 63K byte area (0000H to FBFFH)/64K-byte area (0000H to FEFFH) in addition to on-chip RAM. The address space of an externally installed device is set by the MODE0 and MODE1 pins, with a choice of 4K bytes (addresses 0000H to 0FFFH), 16K bytes (addresses 0000H to 3FFFH), or 63K bytes (addresses 0000H to FBFFH)/64K bytes (addresses 0000H to FEFFH).

Operation Mode	Control Pins		External Address Area	On-Chip RAM Area
	MODE1	MODE0		
4K-byte access	0	0	4K bytes (addresses 0000H to 0FFFH)	Address FF00H to FFFFH
16K-byte access	0	1	16K bytes (addresses 0000H to 3FFFH)	Addresses FF00H to FFFFH
–	1	0	Setting Prohibited	
63K-byte access (μ PD78C17 only)	1	1	63K bytes (addresses 0000H to FBFFH)	Addresses FC00H to FFFFH
64K-byte access (μ PD78C10A only)	1	1	64K bytes (addresses 0000H to FEFFH)	Addresses FF00H to FFFFH

The external device is accessed using the \overline{RD} , \overline{WR} and ALE signals, with pins PD7 to PD0 functioning as a multiplexed address/data bus (AD7 to AD0) and pins PF7 to PF0 as an address bus (AB15 to AB8). When accessing a 4K-byte or 16K-byte area external device, pins PF7 to PF0 which are not used as address lines can be used as general-purpose input/output port pins.

The size of the external address space is determined by the setting of the MODE0 and MODE1 pins.

11.2.1 MM register setting

The low-order 3 bits of the μ PD78C17/78C10A MM register should be set to "0". The RAE bit controls enabling and disabling of on-chip RAM accesses. When on-chip RAM is not used and that area is used by externally connected memory, the RAE bit should be set to "0" to disable on-chip RAM accesses.

In normal operation, the RAE bit retains its current value when RESET signal is input. However, **the RAE bit is undefined after a power-on reset, and must therefore be initialized by an instruction.**

Figure 11-10. MM Register Format (μ PD78C17/78C10A)

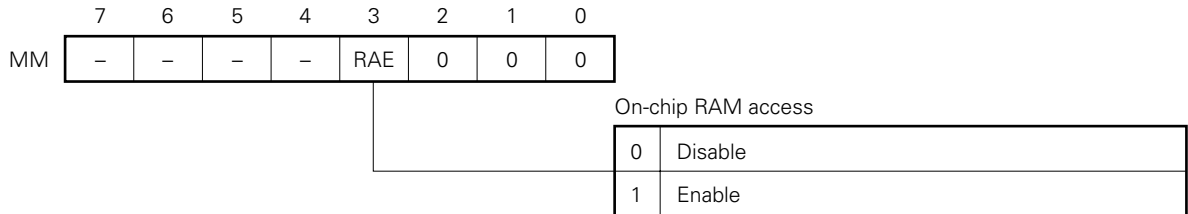


Figure 11-11. μ PD78C17 Address Space

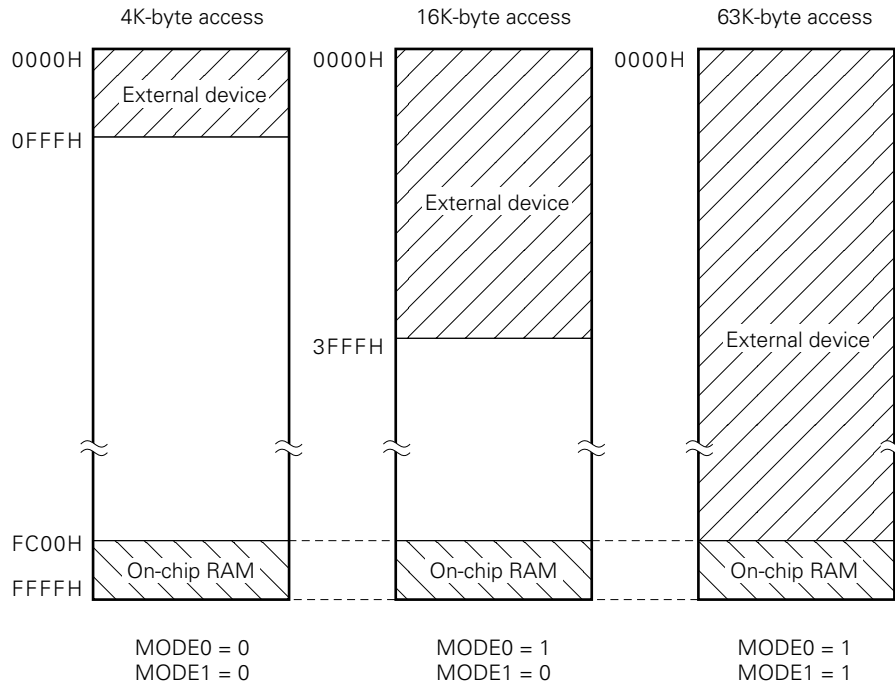
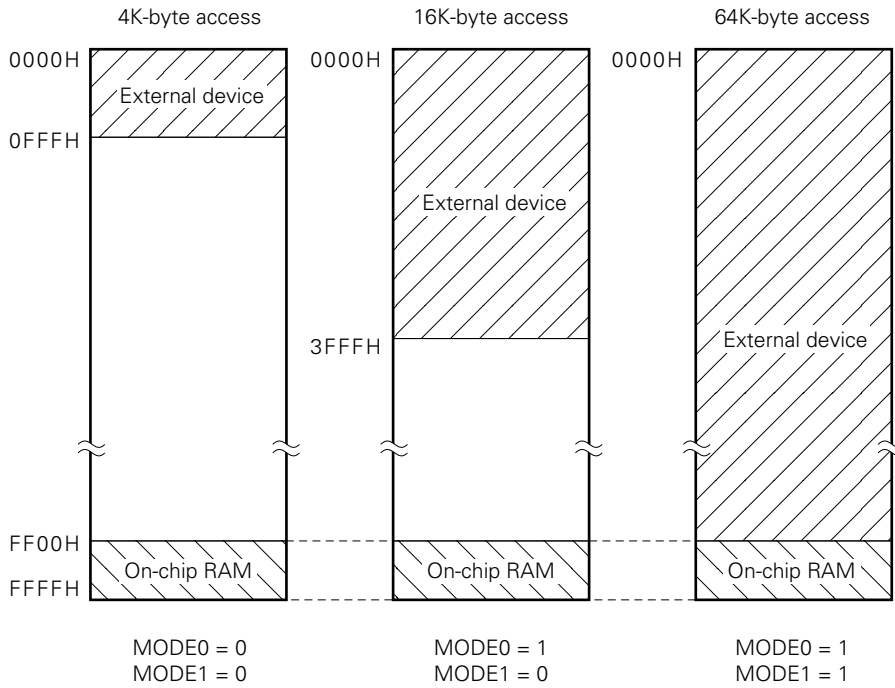


Figure 11-12. μ PD78C10A Address Space



- Cautions**
1. Instructions on port D or port F must not be executed in the 64K-byte access mode, as this will result in an unpredictable operation.
 2. A program which dynamically changes the port F input/output mode cannot be emulated by an emulator, and therefore should not be used.
 3. A \overline{WR} pulse is output if an output instruction is executed on port D or port F in the 64K-byte mode, and this must therefore on no account be performed.
 4. With an emulator, the device may operate normally even if the RAE bit is not initialized by an instruction.
 5. Overwriting the RAE bit during program execution allows an apparent increase of 256 bytes in the memory space. However, this operation cannot be emulated by an emulator, and should therefore not be performed.

11.3 Timings

μ PD78C18 operation timings are shown in Figures 11-13 to 11-15. Three oscillator frequency cycles (from rise to fall) are defined as one state, represented by T_n .

One machine cycle is completed in 3 states (9 clock cycles) for all normal read and write operations, but 4 states (12 clock cycles) are required for an OP code fetch.

Wait states (TW) cannot be inserted.

(1) OP code fetch timing (see Figure 11-13)

This is the timing for fetching the OP (operation) code of all instructions, and consists of 4 states, T1 to T4. The two states T1 and T2 are used for the program memory read, and T3 and T4 are used for internal processing (decoding).

The upper address signal from the low-order 8 bits of the external memory reference address is output to AB15 through AB8 (PF7 through PF0) from the start of T1 to the end of T4.

AD7 to AD0 (PD7 to PD0) function as the multiplexed address/data bus: The low-order 8 bits of the external memory reference address are output during T1, and then AD7 to AD0 become high-impedance.

Since the address information on the AD7 to AD0 bus is only output temporarily, it must be latched by the external device. In the 87AD series a special timing signal, ALE, is provided for latching AD7 to AD0. The ALE signal is output in the T1 state of each machine cycle.

A low-level \overline{RD} signal is output low from midway through the T1 state to the beginning of T4.

(2) External device read timing (see Figure 11-14)

The data read machine cycle when an external device reference instruction is executed consists of T1 to T3. Except for the absence of T4, the timing for AB15 to AB8 (PF7 to PF0), AD7 to AD0 (PD7 to PD0), and ALE is the same as an OP code fetch. A low-level \overline{RD} signal is output from midway through T1 to the beginning of T3.

(3) External device write timing (see Figure 11-15)

The data write machine cycle when an external device reference instruction is executed consists of 3 states, T1 to T3.

The address outputs (AB15 to AB8 and AD7 to AD0) and the ALE signal are the same as for the read timing machine cycle. The write data is output to AD7 through AD0 from the beginning of T2 to the end of T3. To enable writing to the addressed device, a low-level \overline{WR} signal is output from midway through T1 to the beginning of T3.

When PD7 to PD0 are set as the multiplexed address/data bus (AD7 to AD0) and PF7 to PF0 as the address bus (AB15 to AB8), both the \overline{RD} signal and the \overline{WR} signal become high in machine cycles in which the external device is not accessed. However, the ALE signal is output and the contents of the internal address bus are output directly to port D and port F.

Figure 11-13. OP Code Fetch Timing

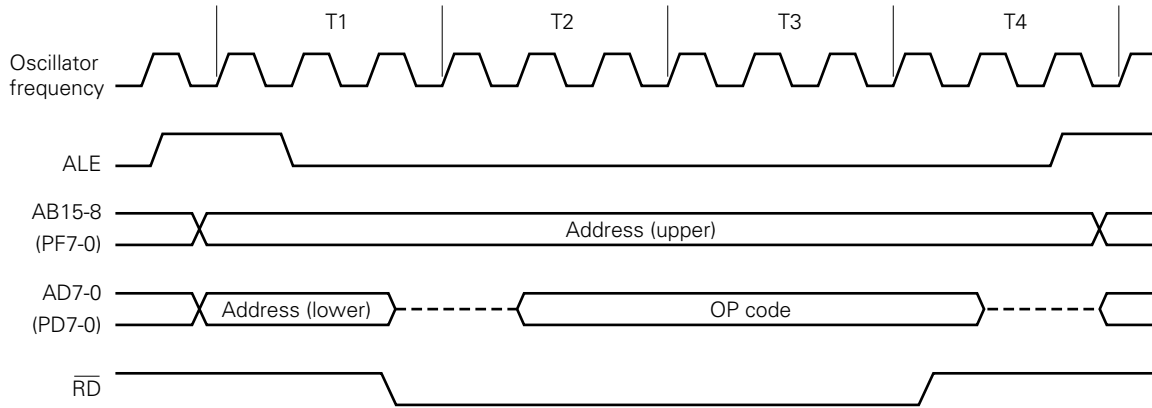


Figure 11-14. External Device Read Timing

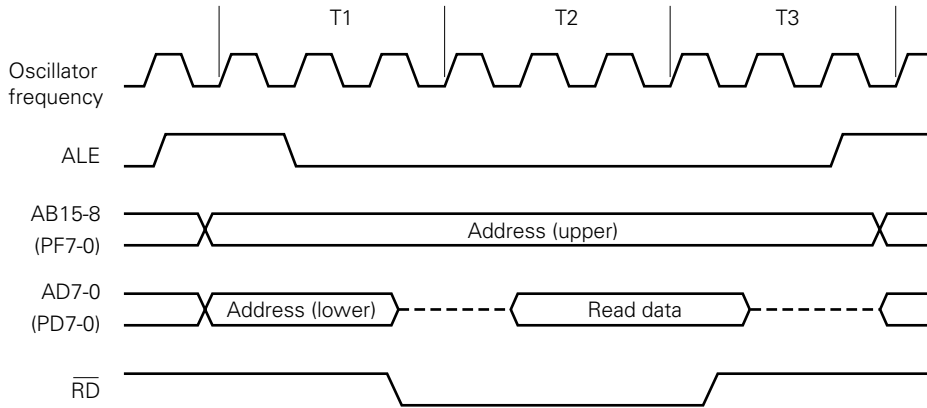
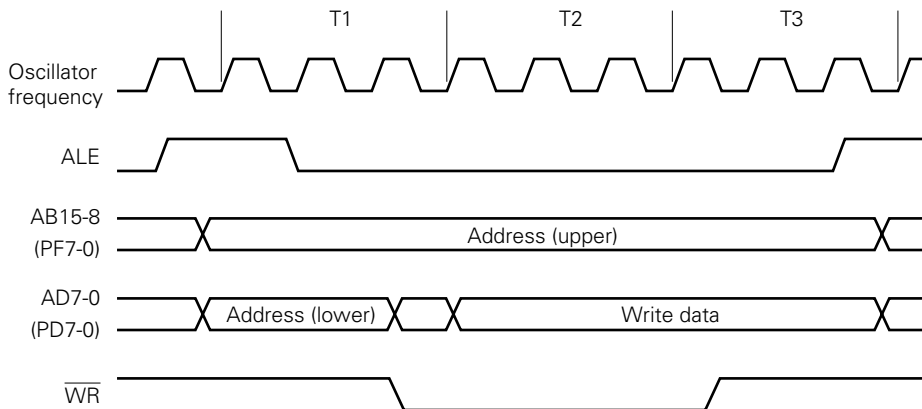


Figure 11-15. External Device Write Timing



CHAPTER 12 PROM ACCESSES (μ PD78CP18/78CP14 ONLY)

The μ PD78CP18 and μ PD78CP14 incorporate 32K-byte and 16K-byte EPROM respectively. Four modes can be selected for the on-chip EPROM access range by means of bits MM5 to MM7 of the memory mapping register:

- 4K-byte mode : Access to addresses 0000H to 0FFFH (μ PD78C11A mode)
- 8K-byte mode : Access to addresses 0000H to 1FFFH (μ PD78C12A mode)
- 16K-byte mode : Access to addresses 0000H to 3FFFH (μ PD78C14 mode)
- 32K-byte mode^{Note} : Access to addresses 0000H to 7FFFH (μ PD78C18 mode)

Note The 32K-byte mode applies to the μ PD78CP18 only.

The configuration of the μ PD78CP18/78C14 memory mapping registers is shown in Figures 12-1 and 12-2.

(1) Bits MM0 to MM2

These bits control the PD7 to PD0 port/expansion mode and input/output specification, and the PF7 to PF0 address output specification.

See **11.1.1 Memory mapping register (MM)** for details.

(2) MM3 bit (RAE)

This bit controls enabling (RAE=1) and disabling (RAE=0) of on-chip RAM accesses.

See **11.1.1 Memory mapping register (MM)** for details.

(3) Bits MM5 to MM7

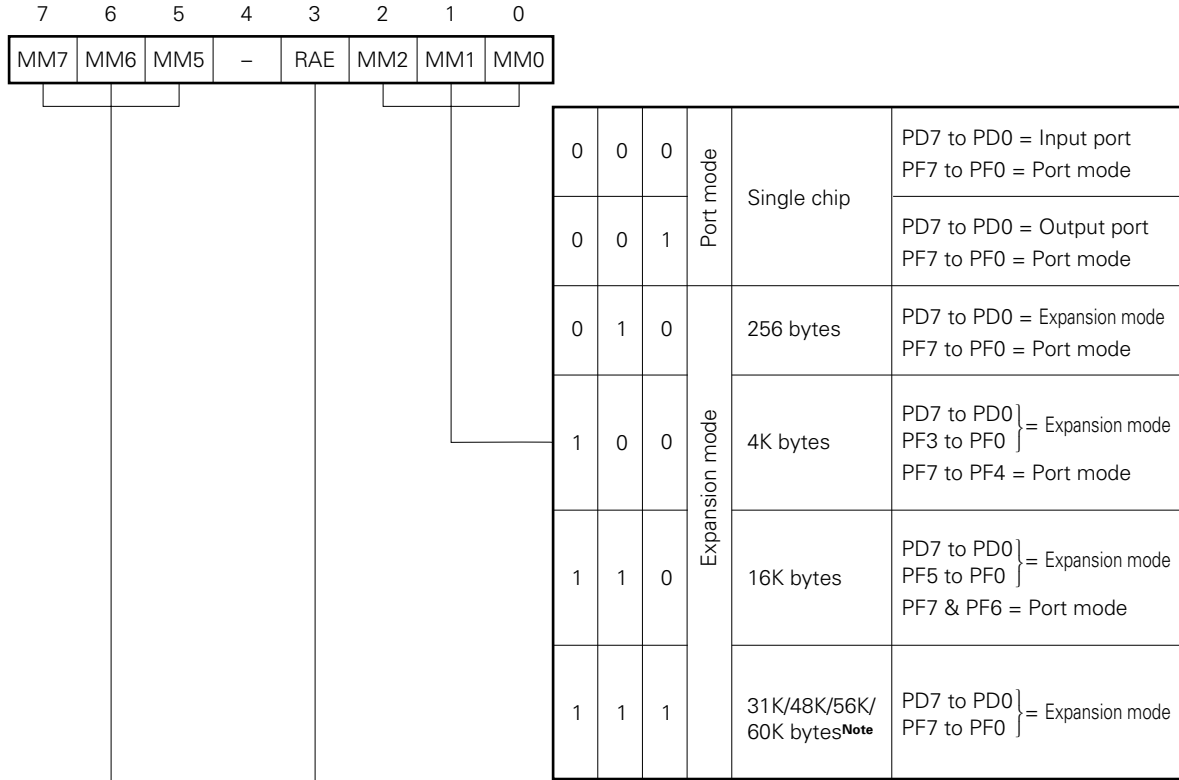
These bits are used to specify the on-chip EPROM access range.

When STOP or $\overline{\text{RESET}}$ is input, these bits are reset: The μ PD78CP18 is set to the 32K-byte mode, and the μ PD78CP14 to the 16K-byte mode.

These bits are valid only in the μ PD78CP18/78CP14/78CG14^{Note}: If data is written to these bits in the μ PD78C14/78C12A/78C11A, it is ignored by the CPU. Therefore, programs developed on the μ PD78CP18/78CP14/78CG14 can be transferred directly to mask ROM.

Note The μ PD78CG14 is described in **APPENDIX A INTRODUCTION TO PIGGYBACK PRODUCT**.

Figure 12-1. Memory Mapping Register Format (μ PD78CP18)



Note Depending on bits MM7 to MM5

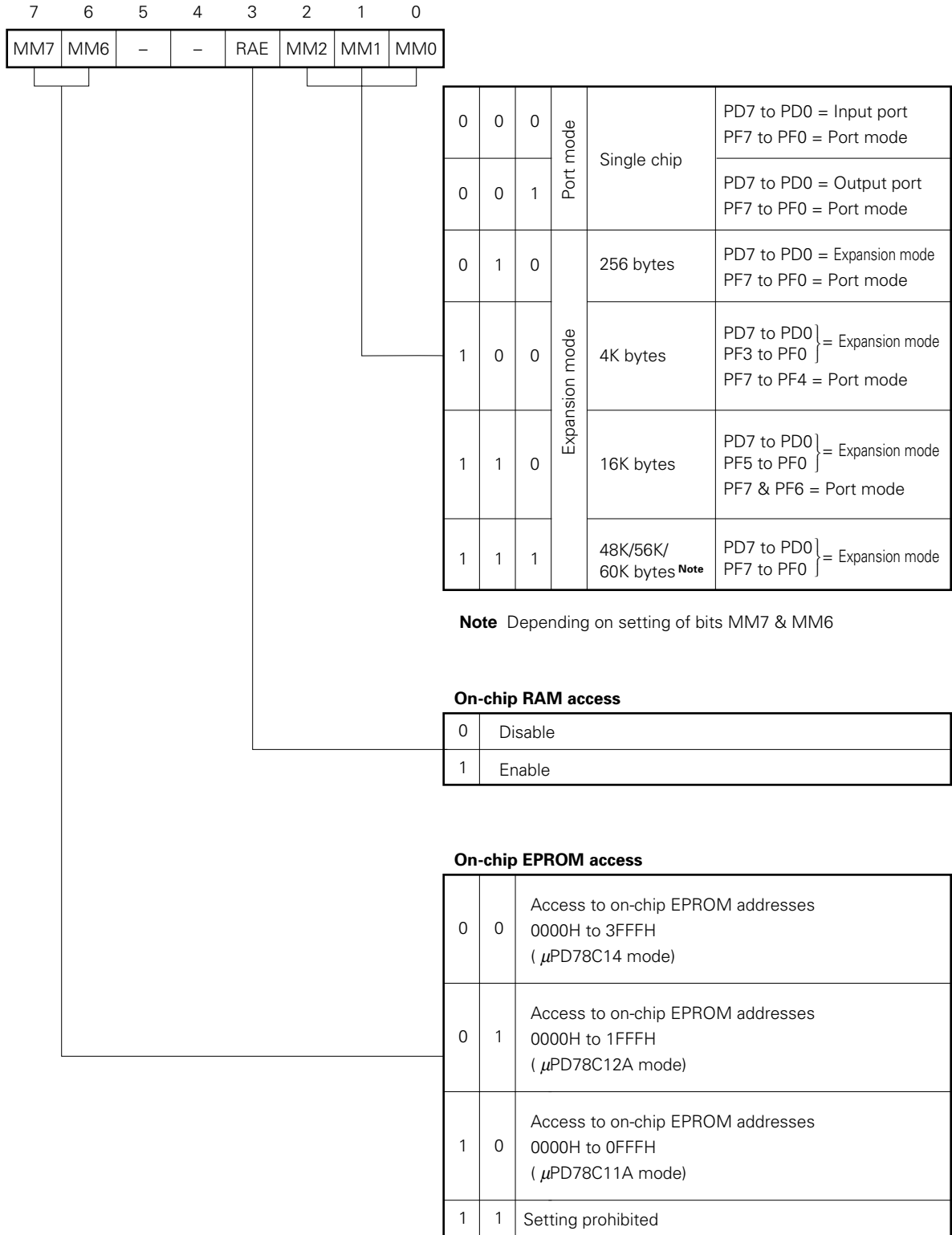
On-chip RAM access

0	Disable
1	Enable

On-chip PROM and on-chip RAM access ranges

MM7	MM6	MM5	On-Chip PROM Access Range	On-Chip RAM Access Range
0	0	0	0000H to 7FFFH (32K bytes: μ PD78C18 mode)	FC00H to FFFFH (1K bytes)
0	0	1	0000H to 3FFFH (16K bytes: μ PD78C14 mode)	FF00H to FFFFH (256 bytes)
0	1	1	0000H to 1FFFH (8K bytes: μ PD78C12A mode)	FF00H to FFFFH (256 bytes)
1	0	1	0000H to 0FFFH (4K bytes: μ PD78C11A mode)	FF00H to FFFFH (256 bytes)
Other than the above			Setting prohibited	

Figure 12-2. Memory Mapping Register Format (μ PD78CP14)



[MEMO]

CHAPTER 13 PROM WRITE AND VERIFY OPERATIONS (μ PD78CP18/78CP14 ONLY)

The μ PD78CP18 and μ PD78CP14 incorporate 32768×8 -bit and 16384×8 -bit PROM respectively as program memory. The pins shown in Table 13-1 are used for write/verify operations on this PROM.

The μ PD78CP18/78CP14 program timing is μ PD27C256A compatible, and this chapter should be read in conjunction with documentation on the μ PD27C256A.

Table 13-1. Pin Functions in PROM Programming

Pin Name	Function
$\overline{\text{RESET}}$	Low-level input (in write/verify and read)
MODE0	High-level input (in write/verify and read)
MODE1	Low-level input (in write/verify and read)
V_{PP} Note1	High-voltage input (in write/verify), high-level input (in read)
$\overline{\text{CE}}$ Note1	Chip enable input
$\overline{\text{OE}}$ Note1	Output enable input
A13 to A0 Notes1, 2	Address input
A14 to A0 Notes1, 3	Address input
PF6 Note2	Low-level input (in write/verify and read)
O7-O0 Note1	Data input (in write), data output (in verify/read)
V_{DD} Note1	Power supply voltage input

Notes 1. These pins correspond to the μ PD27C256A.

2. μ PD78CP14 only

3. μ PD78CP18 only

Cautions 1. The μ PD78CP18DW/78CP18KB/78CP14DW/78CP14KB/78CP14R, which are provided with an erase window, should be fitted with a light-protective cover film when EPROM erasure is not being performed.

2. The μ PD78CP18CW/78CP18GF-3BE/78CP18GQ-36/78CP14CW/78CP14G-36/78CP14GF-3BE/78CP14L one-time PROM products are not provided with an erase window, and thus UV erasure cannot be used on these devices.

13.1 PROM Programming Operating Modes

The PROM programming operating mode is set as shown in table 13-2. Pins not used for programming should be connected as shown in Table 13-3.

Table 13-2. PROM Programming Modes

Operating Mode	\overline{CE} ^{Note1}	\overline{OE} ^{Note1}	V_{PP} ^{Note1}	V_{DD} ^{Note1}	\overline{RESET}	MODE0	MODE1	PF6 ^{Note2}
Program	L	H	+12.5 V	+6 V	L	H	L	L
Program verify	H	L						
Program inhibit	H	H						
Read	L	L	+5 V	+5 V				
Output disable	L	H						
Standby	H	L/H						

- Notes**
1. These pins correspond to the μ PD27C256A.
 2. μ PD78CP14 only

Caution When V_{PP} is set to +12.5 V and V_{DD} to +6 V, driving \overline{CE} and \overline{OE} low is inhibited.

Table 13-3. Recommended Connection of Unused Pins (In PROM Programming Mode)

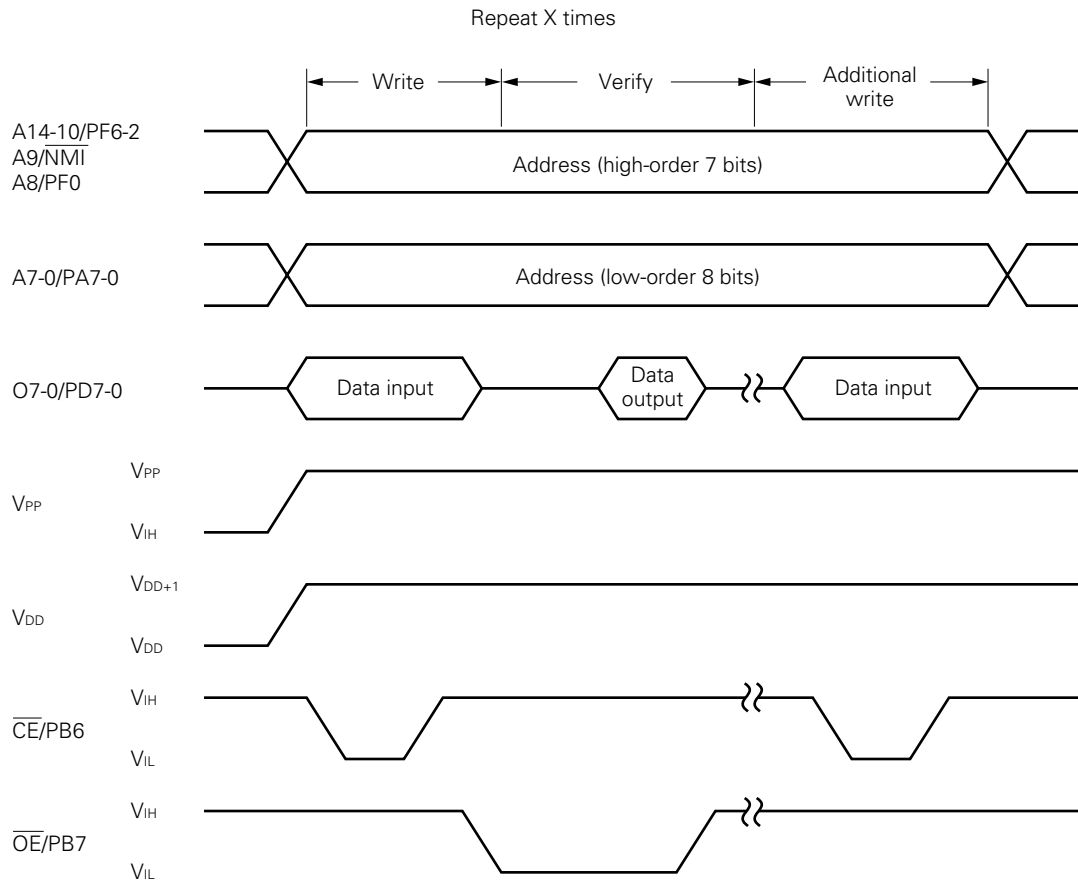
Pin Name	Recommended Connection
INT1	Connect to V_{SS}
X1	
AN0 to AN7	
V_{AREF}	
AV_{DD}	
AV_{SS}	
Pins other than the above	Connect to V_{SS} individually via a resistor
X2	Leave open

13.2 PROM Writing Procedure

The procedure for writing data to the PROM is as shown below, allowing high-speed writing.

- (1) Connect unused pins to V_{SS} with a pull-down resistor. Supply +6 V to the V_{DD} pin and +12.5 V to the V_{PP} pin.
- (2) Supply initial address.
- (3) Supply write data.
- (4) Supply a 1 ms program pulse (active low) to the \overline{CE} pin.
- (5) Verify mode. If written, go to (7); if not written, repeat (3) through (5). If not written after 25 repetitions, go to (6).
- (6) Halt write operation due to defective device.
- (7) Supply write data and supply (times repeated in (3) through (5): \times) \times 3 ms program pulse (additional write).
- (8) Increment address.
- (9) Repeat (3) through (8) up to final address.

Figure 13-1. PROM Write/Verify Timing



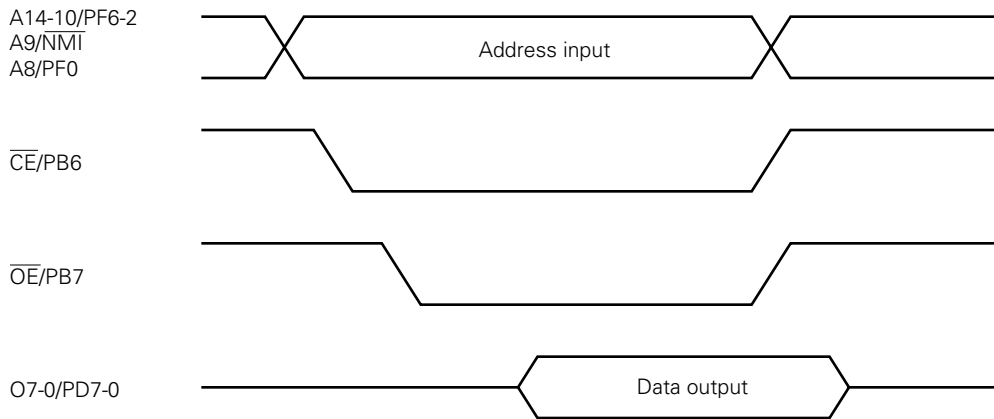
13.3 PROM Reading Procedure

PROM contents can be read onto the external data bus (O7 to O0) using the following procedure.

- (1) Connect unused pins to GND with a pull-down resistor.
- (2) Supply 5 V to the V_{DD} and V_{PP} pins.
- (3) Input address of data to be read to pins A14 through A0.
- (4) Read mode.
- (5) Output data to pins O7 to O0.

The timing for (2) to (5) above is shown in Figure 13-2.

Figure 13-2. PROM Read Timing



13.4 Erasure Procedure (Ceramic Package Products Only)

The programmed data contents of the μ PD78CP18DW/78CP18KB/78CP14DW/78CP14KB/78CP14R can be erased by exposure to ultraviolet radiation through the window in the top of the package.

Erasure is possible using ultraviolet light with a wavelength of approximately 250 nm. The exposure required for complete erasure is $15 \text{ W}\cdot\text{s}/\text{cm}^2$ (UV intensity \times erasure time).

Using a commercially available UV lamp (254 nm wavelength, $12 \text{ m}\cdot\text{W}/\text{cm}^2$ intensity), erasure takes approximately 15 to 20 minutes.

Cautions 1. Program contents may also be erased by extended exposure to direct sunlight or fluorescent light. The contents should therefore be protected by masking the window in the top of the package with light-shielding cover film.

2. Erasure should normally be carried out at a distance of 2.5 cm or less from the UV lamp.

Remark The erasure time may be increased due to deterioration of the UV lamp or dirt on the package window.

13.5 One-Time PROM Products Screening

One-time PROM products (μ PD78CP18CW/78CP18GF-3BE/78CP18GQ-36/78CP14CW/78CP14G-36/78CP14GF-3BE/78CP14L) can not be completely examined for shipment in NEC according to their structure matters. After needed data is written, screening, in which PROM verification is performed after high temperature storage based on the conditions below, is recommended.

Storage Temperature	Storage Time
125 °C	24 hours

NEC performs fee-charged service, named "QTOP™ microcontroller", for one-time PROM writing, marking and screening including verification. For details, contact our salesman.

[MEMO]

CHAPTER 14 INSTRUCTION SET

14.1 Operand Notation and Description Method

Operands are written in the operand field of an instruction in accordance with the description method for the operand notation for that instruction (For details, depends on assembler specifications). When there are several items listed under the description method, one of these is selected. Alphanumeric characters written in upper case and the symbols "-" and "+" are keywords, and are written in that form.

The relevant numeric value or label is written as immediate data.

Notation	Description Method
r	V, A, B, C, D, E, H, L
r1	EAH, EAL, B, C, D, E, H, L
r2	A, B, C
sr	PA, PB, PC, PD, PF, MKH, MKL, ANM, SMH, SML, EOM, ETMM, TMM, MM, MCC, MA, MB, MC, MF, TXB, TM0, TM1, ZCM
sr1	PA, PB, PC, PD, PF, MKH, MKL, ANM, SMH, EOM, TMM, RXB, CR0, CR1, CR2, CR3
sr2	PA, PB, PC, PD, PF, MKH, MKL, ANM, SMH, EOM, TMM
sr3	ETM0, ETM1
sr4	ECNT, ECPT
rp	SP, B, D, H
rp1	V, B, D, H, EA
rp2	SP, B, D, H, EA
rp3	B, D, H
rpa	B, D, H, D+, H+, D-, H-
rpa1	B, D, H
rpa2	B, D, H, D+, H+, D-, H-, D+byte, H+A, H+B, H+EA, H+byte
rpa3	D, H, D++, H++, D+byte, H+A, H+B, H+EA, H+byte
wa	8-bit immediate data
word	16-bit immediate data
byte	8-bit immediate data
bit	3-bit immediate data
f	CY, HC, Z
irf	NMI ^{Note} , FT0, FT1, F1, F2, FE0, FE1, FEIN, FAD, FSR, FST, ER, OV, AN4, AN5, AN6, AN7, SB

Note NMI can also be written as FNMI.

Remark

1. sr~sr4 (special register)

PA : PORT A	ETMM : TIMER/EVENT
PB : PORT B	COUNTER MODE
PC : PORT C	EOM : TIMER/EVENT
PD : PORT D	COUNTER OUTPUT
PF : PORT F	MODE
MA : MODE A	ANM : A/D CHANNEL
MB : MODE B	MODE
MC : MODE C	CR0 : A/D
MCC : MODE CONTROL C	CONVERSION
MF : MODE F	CR3 : RESULT0~3
MM : MEMORY MAPPING	TXB : Tx BUFFER
TM0 : TIMER REG0	RXB : Rx BUFFER
TM1 : TIMER REG1	SMH : SERIAL MODE
TMM : TIMER MODE	High
ETM0 : TIMER/EVENT	SML : SERIAL MODE
COUNTER REG0	Low
ETM1 : TIMER/EVENT	MKH : MASK High
COUNTER REG1	MKL : MASK Low
ECNT : TIMER/EVENT	ZCM : ZERO CROSS
COUNTER UPCOUNTER	MODE
ECPT : TIMER/EVENT	
COUNTER CAPTURE	

2. rp~rp3 (register pair)

SP : STACK POINTER
B : BC
D : DE
H : HL
V : VA
EA : EXTENDED
ACCUMULATOR

4. f(flag)

CY : CARRY
HC : HALF CARRY
Z : ZERO

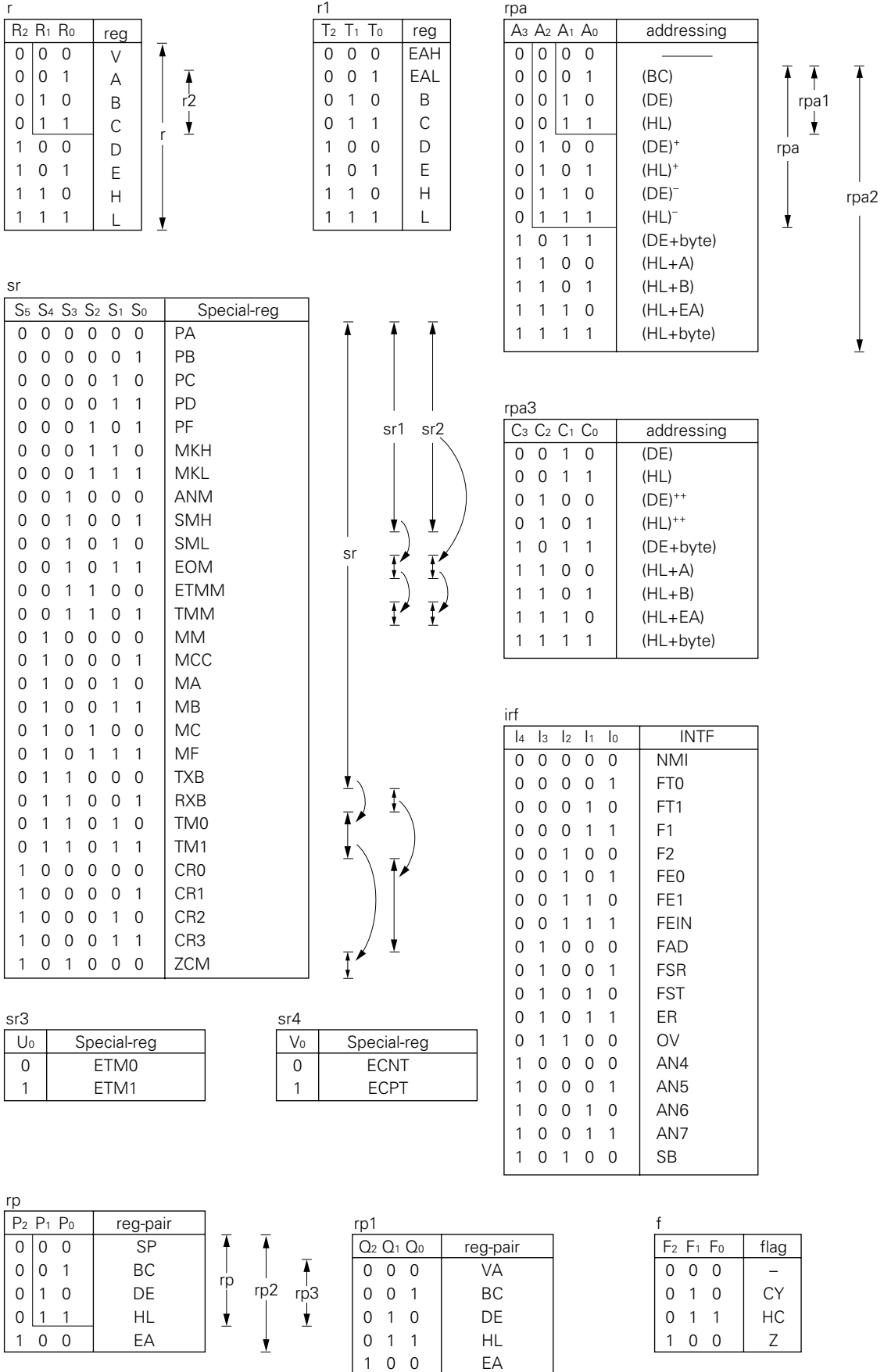
3. rpa~rpa3 (rp addressing)

B : (BC)
D : (DE)
H : (HL)
D+ : (DE)+
H+ : (HL)+
D- : (DE)-
H- : (HL)-
D++ : (DE)++
H++ : (HL)++
D+byte : (DE+byte)
H+A : (HL+A)
H+B : (HL+B)
H+EA : (HL+EA)
H+byte : (HL+byte)

5. irf (interrupt flag)

NMI : NMI INPUT
FT0 : INTFT0
FT1 : INTFT1
F1 : INTF1
F2 : INTF2
FE0 : INTFE0
FE1 : INTFE1
FEIN : INTFEIN
FAD : INTFAD
FSR : INTFSR
FST : INTFST
ER : ERROR
OV : OVERFLOW
AN4 : ANALOG
INPUT 4~7
?
AN7
SB : STANDBY

14.2 Explanation of Operation Code Symbols



14.3 Instruction Address Addressing

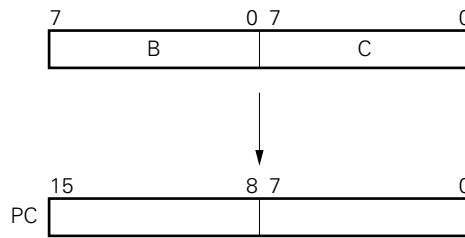
The instruction address is determined by the contents of the program counter (PC), and is normally incremented (by one for each byte) automatically according to the number of instruction bytes fetched each time an instruction is executed. However, when an instruction associated with a branch is executed, the jump address information is loaded into the PC in accordance with the addressing methods shown below, and a jump is performed.

14.3.1 Register addressing

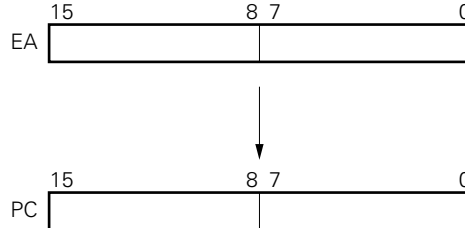
The contents of the BC register pair or the EA accumulator are loaded into the PC and a jump is performed. This is performed when the following instructions are executed.

JB

CALB



JEA

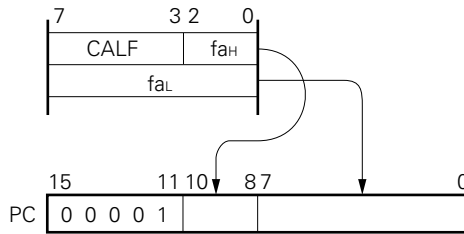
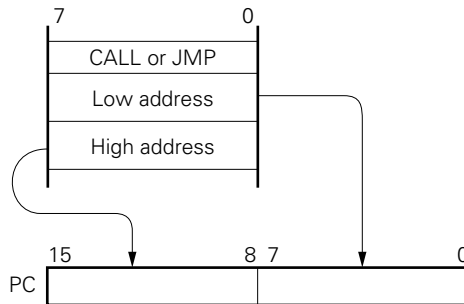


14.3.2 Immediate addressing

The immediate data in the 2nd and 3rd bytes of the instruction is loaded into the PC and a jump is performed. This is performed when the following instructions are executed.

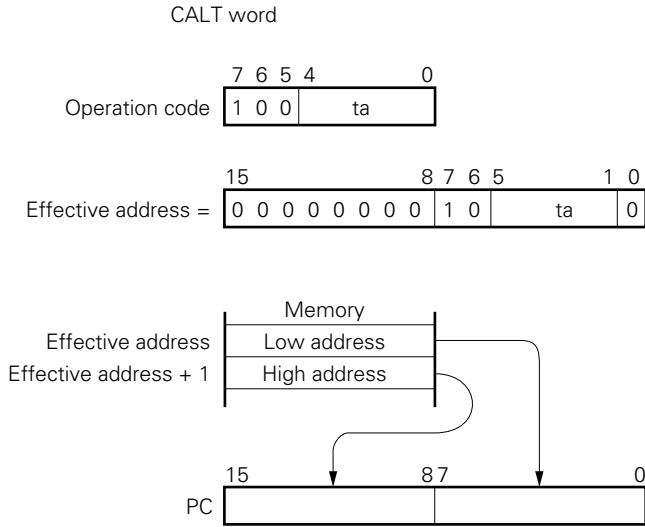
- JMP word
- CALL word
- CALF word

In the case of the CALF instruction, the immediate data in the low-order 3 bits of the 1st byte and the 2nd byte is loaded into the PC.



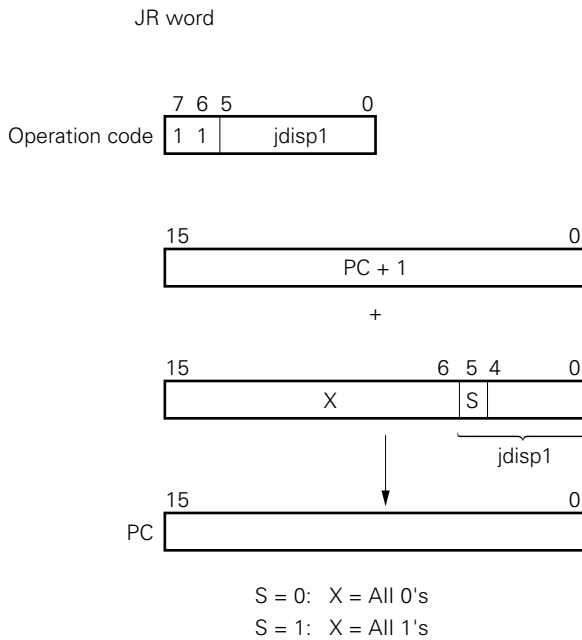
14.3.3 Direct addressing

The contents of the memory addressed by the immediate data in the low-order 5 bits of the operation code are loaded into the PC and a jump is performed. This is performed when the following instruction is executed.



14.3.4 Relative addressing

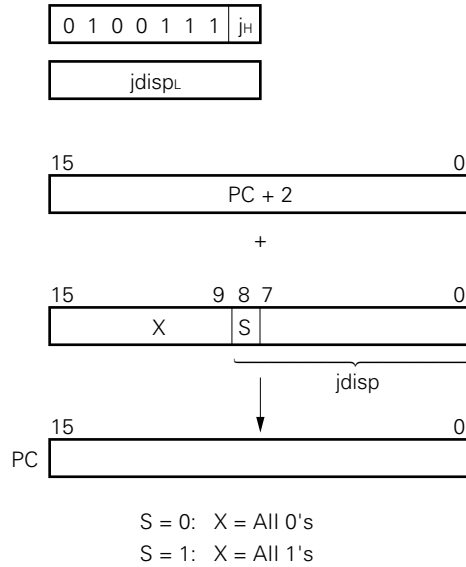
The result of adding the immediate data (displacement value: jdisp1) in the low-order 6 bits of the operation code to the start address of the next instruction is loaded into the PC and a jump is performed. The displacement value is handled as signed two's complement data (-32 to +31), with bit 5 as the sign bit. This is performed when the following instruction is executed.



14.3.5 Extended relative addressing

The result of adding the 9-bit immediate data (displacement value: *jdisp*) in the instruction to the start address of the next instruction is loaded into the PC and a jump is performed. The displacement value is handled as signed two's complement data (-256 to +255), with bit 8 (bit 0 of the 1st byte of the operation code) as the sign bit. This is performed when the following instruction is executed.

JRE word



14.4 Operand Address Addressing

There are several methods (addressing methods), as described below, for specifying the register, memory etc. to be manipulated when executing an instruction.

14.4.1 Register addressing

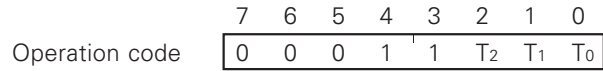
With this addressing method, the register to be manipulated is specified by the contents of the register specification code (R₂R₁R₀, T₂T₁T₀, S₅S₄S₃S₂S₁S₀, etc.) in the instruction.

Register addressing is used when an instruction with the following operand formats is executed. In some cases an 8-bit register is specified, and in others a register pair (16 bits) is specified.

Notation	Description Method
r	V, A, B, C, D, E, H, L
r1	EAH, EAL, B, C, D, E, H, L
r2	A, B, C
sr	PA, PB, PC, PD, PF, MKH, MKL, ANM, SMH, SML, EOM, ETMM, TMM, MM, MCC, MA, MB, MC, MF, TXB, TM0, TM1, ZCM
sr1	PA, PB, PC, PD, PF, MKH, MKL, ANM, SMH, EOM, TMM, RXB, CR0, CR1, CR2, CR3
sr2	PA, PB, PC, PD, PF, MKH, MKL, ANM, SMH, EOM, TMM
sr3	ETM0, ETM1
sr4	ECNT, ECPT
rp	SP, B, D, H
rp1	V, B, D, H, EA
rp2	SP, B, D, H, EA
rp3	B, D, H
f	CY, HC, Z
irf	NMI ^{Note} , FT0, FT1, F1, F2, FE0, FE1, FEIN, FAD, FSR, FST, ER, OV, AN4, AN5, AN6, AN7, SB

Note NMI can also be written as FNMI.

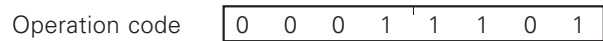
Examples 1. MOV r1, A



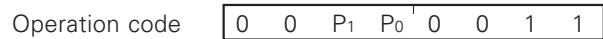
If the E register is selected as r1, the instruction is written as shown below. The part after the semicolon (;) is a comment and has no effect on the operation of the instruction.

MOV E, A; E ← A

The corresponding operation code is shown below.



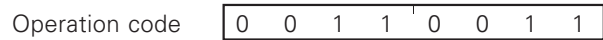
2. DCX rp



If the HL register pair selected as rp, the instruction is written as shown below.

DCX H; HL ← HL - 1

The corresponding operation code is as shown below.



14.4.2 Register indirect addressing

With this addressing method, the memory to be manipulated is addressed using the contents of the register pair specified by the register pair specification code ($A_3A_2A_1A_0$, $C_3C_2C_1C_0$) in the instruction as the operand address.

Register indirect addressing is used when an instruction with the following operand formats is executed. Items with auto-increment/decrement, double auto-increment, base and base index functions are described separately.

Notation	Description Method
rpa	B, D, H, D+, H+, D-, H-
rpa1	B, D, H
rpa2	B, D, H, D+, H+, D-, H-, D+byte, H+A, H+B, H+EA, H+byte
rpa3	D, H, D++, H++, D+byte, H+A, H+B, H+EA, H+byte

Example 1. LDAX rpa2

Operation code

A_3	0	1	0	1	A_2	A_1	A_0
-------	---	---	---	---	-------	-------	-------

If the BC register pair is selected as rpa2, the instruction is written as shown below.

LDAX B; A ← (BC)

The corresponding operation code is shown below.

Operation code

0	0	1	0	1	0	0	1
---	---	---	---	---	---	---	---

14.4.3 Auto-increment addressing

This is a special mode of register indirect addressing using the HL and DE register pairs, in which, after the memory to be manipulated is addressed using the contents of the register pair specified by the addressing specification code (A₃A₂A₁A₀) in the instruction as the operand address, the contents of that register pair are automatically incremented by 1, thus preparing for the next addressing operation.

Auto-increment addressing is used when an instruction with the following operand formats is executed.

Notation	Description Method
rpa	D+, H+
rpa2	D+, H+

Examples 1. STAX rpa2

Operation code

A ₃	0	1	1	1	A ₂	A ₁	A ₀
----------------	---	---	---	---	----------------	----------------	----------------

If the auto-increment mode is selected for the DE register pair used as rpa2, the instruction is written as shown below.

STAX D+; (DE) ← A, DE ← DE + 1

The corresponding operation code is shown below.

Operation code

0	0	1	1	1	1	0	0
---	---	---	---	---	---	---	---

2. Execution of the BLOCK instruction

Although not specified by an operand, when the BLOCK instruction is executed, the HL register pair is automatically selected as the source address register and the DE register pair as the destination address register. After the data transfer from the source address to the destination address has been performed, the HL and the DE register pairs are both automatically incremented by 1.

BLOCK ; (DE) ← (HL), DE ← DE + 1, HL ← HL + 1

3. Execution of a return instruction on POP instruction

Although not specified by an operand, when a return instruction or POP instruction which restores data saved to the stack area is executed, auto-incrementing of the stack pointer (SP) is performed.

RET; PCL ← (SP), PCH ← (SP+1), SP ← SP + 2

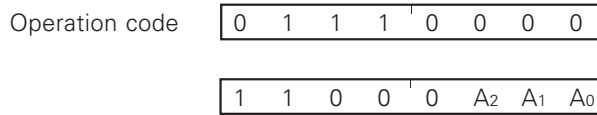
14.4.4 Auto-decrement addressing

This is a special mode of register indirect addressing using the HL and DE register pairs, in which, after the memory to be manipulated is addressed using the contents of the register pair specified by the addressing specification code (A₃A₂A₁A₀) in the instruction as the operand address, the contents of that register pair are automatically decremented by 1, thus preparing for the next addressing operation.

Auto-decrement addressing is used when an instruction with the following operand formats is executed.

Notation	Description Method
rpa	D-, H-
rpa2	D-, H-

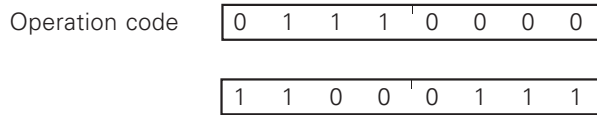
Examples 1. ADDX rpa



If the auto-decrement mode is selected for the HL register pair used as rpa, the instruction is written as shown below.

ADDX H-; $A \leftarrow A + (HL), HL \leftarrow HL - 1$

The corresponding operation code is shown below.



- 2.** Interrupt generation or execution of a CALL instruction or PUSH instruction
 Although not specified by an operand, when an interrupt is generated or a CALL instruction or PUSH instruction is executed, in all of which cases register contents are stored in the stack, auto-decrementing of the stack pointer (SP) is performed.

SOFTI ; (SP-1) ← PSW, (SP-2) ← PC+1_H
 (SP-3) ← PC+1_L, PC ← 0060H

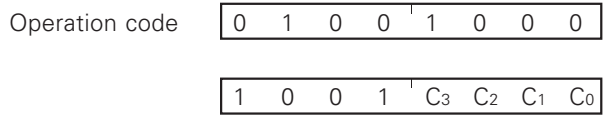
14.4.5 Double auto-increment addressing

This is a special mode of register indirect addressing using the HL and DE register pairs, which is effective for 16-bit data transfers between the extended accumulator (EA) and memory. With double auto-increment addressing, after the memory to be manipulated is addressed using the contents of the register pair specified by the addressing specification code (C₃C₂C₁C₀) in the instruction as the operand address, the contents of that register pair are automatically incremented by 2, thus preparing for the next addressing operation.

Double auto-increment addressing is used when an instruction with the following operand format is executed.

Notation	Description Method
rpa3	D++, H++

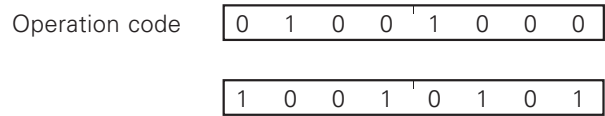
Example 1. STEAX rpa3



If the double auto-increment mode is selected for the HL register pair used as rpa3, the instruction is written as shown below.

STEX H++; (HL) ← EAL, (HL+1) ← EAH, HL ← HL+2

The corresponding operation code is shown below.



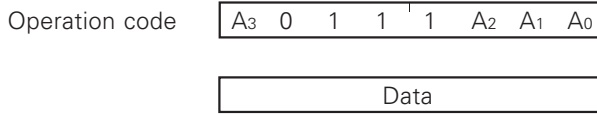
14.4.6 Base addressing

This is a special mode of register indirect addressing using the HL and DE register pairs, in which the memory to be manipulated is addressed using as the operand address the sum of the contents of the register pair (base register) specified by the addressing specification code ($A_3A_2A_1A_0$, $C_3C_2C_1C_0$) in the instruction, and the immediate data of the operand (displacement value). Base addressing is used when an instruction with the following operand formats is executed.

The immediate data (displacement value) is handled as a non-negative number.

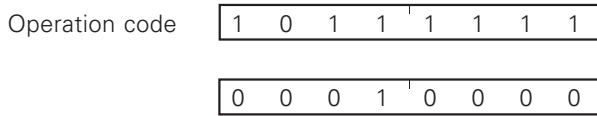
Notation	Description Method
rpa2	D+byte, H+byte
rpa3	D+byte, H+byte

Example 1. STAX rpa2



If base addressing is selected using the sum of the HL register pair and 10H as rpa2, the instruction is written as shown below.

STAX H + 10H; (HL + 10H) ← A



14.4.7 Base index addressing

This is a special mode of register indirect addressing using the HL and DE register pairs, in which the memory to be manipulated is addressed using as the operand address the sum of the contents of the register pair (base register) specified by the addressing specification code ($A_3A_2A_1A_0$, $C_3C_2C_1C_0$) in the instruction, and a register (A, B, EA). Base index addressing is used when an instruction with the following operand formats is executed.

The register A/B data is handled as a non-negative number.

Notation	Description Method
rpa2	H+A, H+B, H+EA
rpa3	H+A, H+B, H+EA

Example 1. LDAX rpa2

Operation code

A_3	0	1	0	1	A_2	A_1	A_0
-------	---	---	---	---	-------	-------	-------

If base index addressing is selected using the sum of the HL register pair and the B register as rpa2, the instruction is written as shown below.

LDAX H + B; $A \leftarrow (HL + B)$

The corresponding operation code is shown below.

Operation code

1	0	1	0	1	1	0	1
---	---	---	---	---	---	---	---

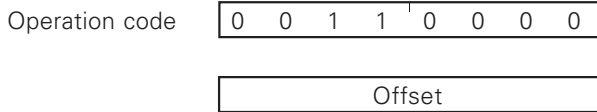
14.4.8 Working register addressing

With this addressing method, a working register in the memory area to be manipulated is selected with the working register vector register (V) as the high-order 8 bits of the address and the 8-bit immediate data in the instruction as the low-order 8 bits of the address. This kind of addressing combines register indirect addressing by the V register and direct addressing by the immediate data wa.

Working register addressing is used when an instruction with the following operand format is executed.

Notation	Description Method
wa	Label, numeric value up to 8 bits

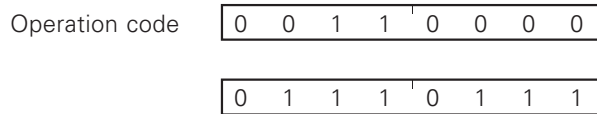
Example 1. DCRW wa



If 77H is specified as wa, the instruction is written as shown below.

DCRW 77H

The corresponding operation code is shown below.



If the contents of the V register are assumed to be 20H, the generated operand address will be 2077H, and the contents of the working register in that address will be decremented by 1.

14.4.9 Accumulator indirect addressing

This is a special example of register indirect addressing in which the contents of the memory addressed by PC + 3 + A are loaded into the C register, and the contents of the memory addressed by PC + 3 + A + 1 are loaded into the B register.

Accumulator indirect addressing is used when the TABLE instruction is executed.

Example 1. Assuming the accumulator contents to be 0 and the PC contents to be 100H, the operation is as follows:

TABLE; C ← (103H), B ← (104H)

14.4.10 Immediate addressing

This addressing method has 1-byte operand data for manipulation in the operation code. Immediate addressing is used when an instruction with the following operand format is executed.

Notation	Description Method
byte	Label, numeric value up to 8 bits

Example 1. ADI A, byte

Operation code

0	1	0	0	0	1	1	0
---	---	---	---	---	---	---	---

Data

If 79H is used as "byte", the instruction is written as shown below.

ADI A, 79H; A ← A + 79H

The corresponding operation code is shown below.

Operation code

0	1	0	0	0	1	1	0
---	---	---	---	---	---	---	---

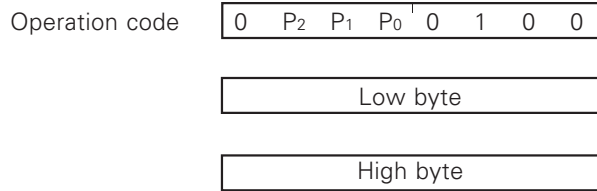
0	1	1	1	1	0	0	1
---	---	---	---	---	---	---	---

14.4.11 Extended immediate addressing

This addressing method has 2-byte operand data for manipulation in the operation code. Extended immediate addressing is used when an instruction with the following operand format is executed.

Notation	Description Method
word	Label, numeric value up to 16 bits

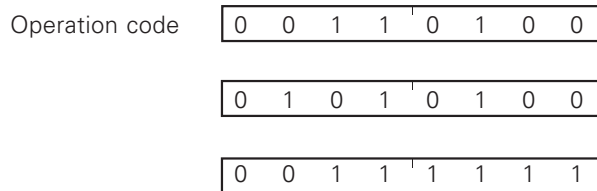
Example 1. LXI rp2, word



If HL is used as rp2 and 3F54H as "word", the instruction is written as shown below.

LXI H, 3F54H; HL ← 3F54H

The corresponding operation code is shown below.

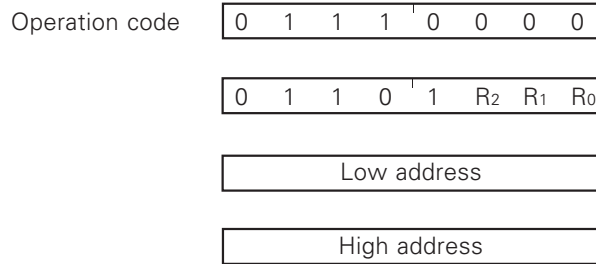


14.4.12 Direct addressing

With this addressing method, the memory to be manipulated is addressed using the immediate data in the instruction as the operand address. Direct addressing is used when an instruction with the following operand format is executed.

Notation	Description Method
word	Label, numeric value up to 16 bits

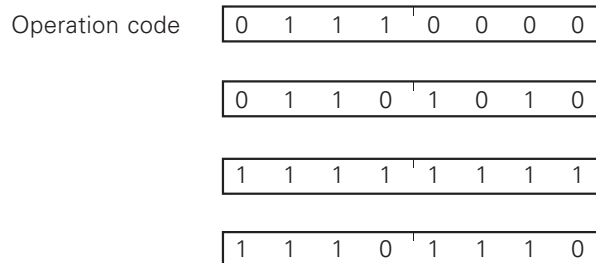
Example 1. MOV r, word



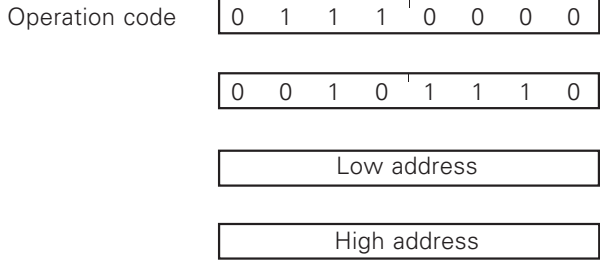
If the B register is used as r and EEFH as "word", the instruction is written as shown below.

MOV B, 0EEFFH;

The corresponding operation code is shown below.



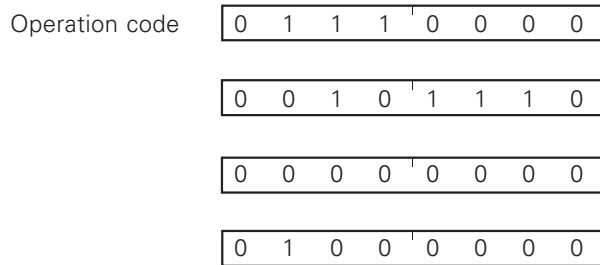
Example 2. SDED word



If the label DST is used as "word", the instruction is written as shown below.

SDED DST

If DST is assumed to be 4000H, the corresponding operation code is as follows:

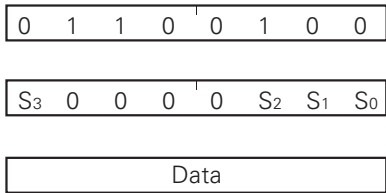


14.5 Number of States Required for Skipping

The number in parentheses indicated in "<3> Number of states" in the instruction set descriptions is the number of idle states consumed without any operation when that instruction is skipped.

The number of idle states when the instruction is skipped is 4 in the case of the OP code and 3 in the case of immediate data.

Example MVI sr2, byte instruction (3-byte instruction)



As the 1st and 2nd bytes are the OP code the number of idle states is 4, and as the 3rd byte is immediate data, the number of idle states is 3.

Therefore, the number of idle states consumed when this instruction is skipped is 4 + 4 + 3 = 11.

14.6 Instruction Descriptions

14.6.1 8-bit data transfer instructions

MOV r1, A

(Move A to Register)

<1> Operation code :

0	0	0	1	1	T ₂	T ₁	T ₀
---	---	---	---	---	----------------	----------------	----------------

<2> Number of bytes : 1

<3> Number of states : 4 (4)

<4> Function : r1 ← A

Transfers the accumulator contents to register r1 (EAH, EAL, B, C, D, E, H, L) specified by T₂T₁T₀ (0 to 7).

When EAH is specified by r1 the contents are transferred to the high-order 8 bits of the extended accumulator, and when EAL is specified, to the low-order 8 bits.

<5> Flags affected : SK ← 0, L1 ← 0, L0 ← 0

<6> Example : MOV B, A; Transfer A to B.

MOV A, r1

(Move Register to A)

<1> Operation code :

0	0	0	0	1	T ₂	T ₁	T ₀
---	---	---	---	---	----------------	----------------	----------------

<2> Number of bytes : 1

<3> Number of states : 4 (4)

<4> Function : A ← r1

Transfers the contents of register r1 (EAH, EAL, B, C, D, E, H, L) specified by T₂T₁T₀ (0 to 7) to the accumulator.

When EAH is specified by r1 the contents of the high-order 8 bits of the extended accumulator are transferred to the accumulator, and when EAL is specified the low-order 8 bits of the extended accumulator are transferred.

<5> Flags affected : SK ← 0, L1 ← 0, L0 ← 0

<6> Example : MOV A, C; Transfer C to A.

MOV sr, A

(Move A to Special Register)

<1> Operation code :

0	1	0	0	1	1	0	1
---	---	---	---	---	---	---	---

1	1	S ₅	S ₄	S ₃	S ₂	S ₁	S ₀
---	---	----------------	----------------	----------------	----------------	----------------	----------------

<2> Number of bytes : 2

<3> Number of states : 10 (7)

<4> Function : $sr \leftarrow A$

Transfers the accumulator contents to the special register sr (PA, PB, PC, PD, PF, MKH, MKL, ANM, SMH, SML, EOM, ETMM, TMM, MM, MCC, MA, MB, MC, MF, TXB, TM0, TM1, ZCM) specified by S₅S₄S₃S₂S₁S₀ (0 to 3, 5 to D, 10 to 14, 17, 18, 1A, 1B, 28).

<5> Flags affected : SK \leftarrow 0, L1 \leftarrow 0, L0 \leftarrow 0

<6> Example : MOV PA, A; Transfer A to port A latch.

MOV A, sr1

(Move Special Register to A)

<1> Operation code :

0	1	0	0	1	1	0	0
---	---	---	---	---	---	---	---

1	1	S ₅	S ₄	S ₃	S ₂	S ₁	S ₀
---	---	----------------	----------------	----------------	----------------	----------------	----------------

<2> Number of bytes : 2

<3> Number of states : 10 (7)

<4> Function : $A \leftarrow sr1$

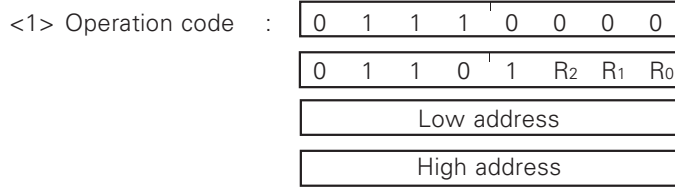
Transfers the contents of the special register sr1 (PA, PB, PC, PD, PF, MKH, MKL, ANM, SMH, EOM, TMM, RXB, CR0, CR1, CR2, CR3) specified by S₅S₄S₃S₂S₁S₀ (0 to 3, 5 to 9, B, D, 19, 20 to 23) to the accumulator.

<5> Flags affected : SK \leftarrow 0, L1 \leftarrow 0, L0 \leftarrow 0

<6> Example : MOV A TMM; Transfer timer mode register contents to A.

MOV r, word

(Move Memory to Register)



<2> Number of bytes : 4

<3> Number of states : 17 (14)

<4> Function : $r \leftarrow (\text{word})$

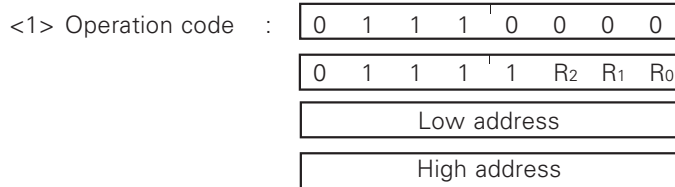
Transfers the contents of the memory addressed by the 3rd byte (Low address) and 4th byte (High address) to the register r (V, A, B, C, D, E, H, L) specified by $R_2R_1R_0$ (0 to 7).

<5> Flags affected : $SK \leftarrow 0$, $L1 \leftarrow 0$, $L0 \leftarrow 0$

<6> Example : MOV B, 89ABH; Transfer contents of address 89ABH to B.

MOV word, r

(Move Register to Memory)



<2> Number of bytes : 4

<3> Number of states : 17 (14)

<4> Function : $(\text{word}) \leftarrow r$

Transfers the contents of the register r (V, A, B, C, D, E, H, L) specified by $R_2R_1R_0$ (0 to 7) to the memory addressed by the 3rd byte (Low address) and 4th byte (High address).

<5> Flags affected : $SK \leftarrow 0$, $L1 \leftarrow 0$, $L0 \leftarrow 0$

<6> Example : MOV EXAM, A; Transfer A to memory addressed by label EXAM.

MVI r, byte

(Move Immediate to Register)

<1> Operation code :

0	1	1	0	1	R ₂	R ₁	R ₀
Data							

<2> Number of bytes : 2

<3> Number of states : 7 (7)

<4> Function : $r \leftarrow \text{byte}$

Transfers the immediate data in the 2nd byte (Data) to the register r (V, A, B, C, D, E, H, L) specified by R₂R₁R₀ (0 to 7). Has a stacking effect when A or L is specified as r.

<5> Flags affected : SK \leftarrow 0, L1 \leftarrow 1, L0 \leftarrow 0 (when r = A)

SK \leftarrow 0, L1 \leftarrow 0, L0 \leftarrow 1 (when r = L)

SK \leftarrow 0, L1 \leftarrow 0, L0 \leftarrow 0 (other cases)

<6> Example : MVI D, 0AFH; Load AFH into the D register.

MVI sr2, byte

(Move Immediate to Special Register)

<1> Operation code :

0	1	1	0	0	1	0	0
S ₃	0	0	0	0	S ₂	S ₁	S ₀
Data							

<2> Number of bytes : 3

<3> Number of states : 14 (11)

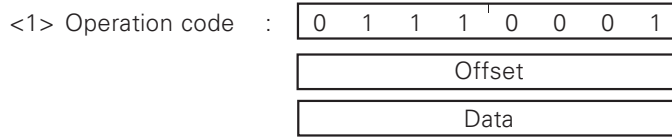
<4> Function : $\text{sr2} \leftarrow \text{byte}$

Transfers the immediate data in the 3rd byte to the special register sr2 (PA, PB, PC, PD, PF, MKH, MKL, ANM, SMH, EOM, TMM) specified by S₃S₂S₁S₀ (0 to 3, 5 to 9, B, D).

<5> Flags affected : SK \leftarrow 0, L1 \leftarrow 0, L0 \leftarrow 0

MVIW wa, byte

(Move Immediate to Working Register)



<2> Number of bytes : 3

<3> Number of states : 13 (10)

<4> Function : (V.wa) ← byte

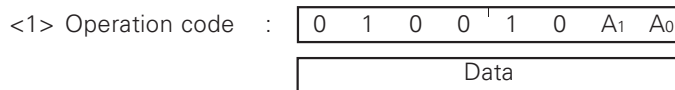
Transfers the immediate data (Data) in the 3rd byte to the working register addressed by the V register (specifying the high-order 8 bits of the memory address) and the 2nd byte (specifying the low-order 8 bits).

<5> Flags affected : SK ← 0, L1 ← 0, L0 ← 0

<6> Example : MVIV, 00H, 20H; Store 20H in working register in address 4000H.

MVIX rpa1, byte

(Move Immediate to Memory addressed by Register Pair)



<2> Number of bytes : 2

<3> Number of states : 10 (7)

<4> Function : (rpa1) ← byte

Transfers the immediate data (Data) in the 2nd byte to the memory addressed by the register pair rpa1 (BC, DE, HL) specified by A₁A₀ (1 to 3).

<5> Flags affected : SK ← 0, L1 ← 0, L0 ← 0

<6> Example : MVIX B, 00H; Store 0 in memory addressed by the BC register pair.

STAW wa

(Store A to Working Register)

<1> Operation code :

0	1	1	0	0	0	1	1
---	---	---	---	---	---	---	---

Offset

<2> Number of bytes : 2

<3> Number of states : 10 (7)

<4> Function : (V. wa) ← A

Stores the accumulator contents in the working register addressed by the V register (specifying the high-order 8 bits of the memory address) and the 2nd byte (specifying the low-order 8 bits).

<5> Flags affected : SK ← 0, L1 ← 0, L0 ← 0

<6> Example : MVI V, 0EEH
STAW 0FFH ; Store A in address EEEFH.

LDAW wa

(Load A With Working Register)

<1> Operation code :

0	0	0	0	0	0	0	1
---	---	---	---	---	---	---	---

Offset

<2> Number of bytes : 2

<3> Number of states : 10 (7)

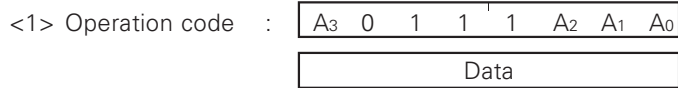
<4> Function : A ← (V. wa)

Loads the contents of the working register addressed by the V register (specifying the high-order 8 bits of the memory address) and the 2nd byte (specifying the low-order 8 bits) into the accumulator.

<5> Flags affected : SK ← 0, L1 ← 0, L0 ← 0

STAX rpa2

(Store A to Memory addressed by Register Pair)



<2> Number of bytes/states:

The number of bytes and number of states are as shown below, depending on the rpa2 specification.

rpa2	B	D	H	D+	H+	D-	H-	D+byte	H+A	H+B	H+EA	H+byte
Number of bytes	1							2	1			2
Number of states	7 (4)							13 (7)				

<3> Function : (rpa2) ← A

Stores the accumulator contents in the memory addressed by the register pair rpa2 (BC, DE, HL, DE+, HL+, DE-, HL-, DE+byte, HL+A, HL+B, HL+EA, HL+byte) specified by A₃A₂A₁A₀ (1 to 7, B to F). If auto-increment/ auto-decrement is specified, the contents of the register pair (DE or HL) are automatically incremented or decremented by 1 after the accumulator contents have been stored.

If DE+byte or HL+byte is specified as rpa2, the memory is addressed by the result of adding the 2nd byte (Data) of the instruction to the contents of DE/HL. If HL+A, HL+B, or HL+EA is specified, the memory is addressed by the result of adding the contents of the register (A, B, EA) to the contents of HL.

<4> Flags affected : SK ← 0, L1 ← 0, L0 ← 0

<5> Example : LXI D, 4000H ; DE ← 4000H

⋮

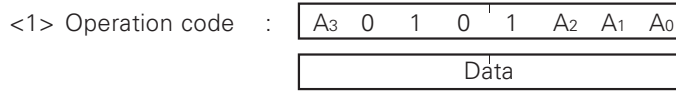
STAX D+ ; (4000H) ← A, DE ← 4001H

STAX D+10H ; (4011H) ← A, DE ← 4001H

This example stores A in addresses 4000H and 4011H.

LDAX rpa2

(Load A with Memory addressed by Register Pair)



<2> Number of bytes/states:

The number of bytes and number of states are as shown below, depending on the rpa2 specification.

rpa2	B	D	H	D+	H+	D-	H-	D+byte	H+A	H+B	H+EA	H+byte
Number of bytes	1							2	1			2
Number of states	7 (4)							13 (7)				

<3> Function : $A \leftarrow (rpa2)$

Loads the contents of the memory addressed by the register pair rpa2 (BC, DE, HL, DE+, HL+, DE-, HL-, DE+byte, HL+A, HL+B, HL+EA, HL+byte) specified by A₃A₂A₁A₀ (1 to 7, B to F) into the accumulator. If auto-increment/auto-decrement is specified, the contents of the register pair (DE or HL) are automatically incremented or decremented by 1 after the accumulator has been loaded.

If DE+byte or HL+byte is specified as rpa2, the memory is addressed by the result of adding the 2nd byte (Data) of the instruction to the contents of DE/HL. If HL+A, HL+B, or HL+EA is specified, the memory is addressed by the result of adding the contents of the register (A, B, EA) to the contents of HL.

<4> Flags affected : SK ← 0, L1 ← 0, L0 ← 0

<5> Example : LXI H, 4000H ; HL ← 4000H
 :

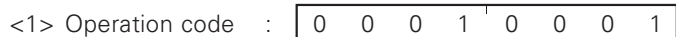
MVI B, 20H ; B ← 20H

LDAX H+B ; A ← (4020H)

This example loads the contents of address 4020H into A.

EXX

(Exchange Register Sets)



<2> Number of bytes : 1

<3> Number of states : 4 (4)

<4> Function : $B \leftrightarrow B', C \leftrightarrow C', D \leftrightarrow D', E \leftrightarrow E', H \leftrightarrow H', L \leftrightarrow L'$

Exchanges the contents of registers B, C, D, E, H, L with the contents of registers B', C', D', E', H', L'.

<5> Flags affected : SK ← 0, L1 ← 0, L0 ← 0

EXA

(Exchange V, A, EA and V', A', EA')

<1> Operation code :

0	0	0	1	0	0	0	0
---	---	---	---	---	---	---	---

<2> Number of bytes : 1

<3> Number of states : 4 (4)

<4> Function : $V \leftrightarrow V'$, $A \leftrightarrow A'$, $EA \leftrightarrow EA'$

Exchanges the contents of V and A registers and EA with the contents of the V' and A' registers and EA'.

<5> Flags affected : SK \leftarrow 0, L1 \leftarrow 0, L0 \leftarrow 0

EXH

(Exchange HL and H'L')

<1> Operation code :

0	1	0	1	0	0	0	0
---	---	---	---	---	---	---	---

<2> Number of bytes : 1

<3> Number of states : 4 (4)

<4> Function : $H \leftrightarrow H'$, $L \leftrightarrow L'$

Exchanges the contents of H and L registers with the contents of the H' and L' registers.

<5> Flags affected : SK \leftarrow 0, L1 \leftarrow 0, L0 \leftarrow 0

BLOCK

(Block Data Transfer)

<1> Operation code :

0	0	1	1	0	0	0	1
---	---	---	---	---	---	---	---

<2> Number of bytes : 1

<3> Number of states : $13 \times (C+1)$, (4)

<4> Function : $(DE) \leftarrow (HL)$, $DE \leftarrow DE+1$, $HL \leftarrow HL+1$, $C \leftarrow C-1$, end if borrow.

Performs a block transfer to the memory addressed by the DE register pair comprising the number of bytes specified by the C register used as a counter (C register value + 1) of the contents of the memory addressed by the HL register pair.

Each time a byte is transferred, HL and DE are auto-incremented and the C register is decremented. When the C register value reaches FFH, the instruction is terminated and the program moves on to the next instruction.

Interrupts can be acknowledged during repeated transfers by means of a BLOCK instruction, in which case the transfer continues after returning from the interrupt service routine.

<5> Flags affected : SK \leftarrow 0, L1 \leftarrow 0, L0 \leftarrow 0

14.6.2 16-bit data transfer instructions

DMOV rp3, EA**(Move EA to Register Pair)**<1> Operation code :

1	0	1	1	0	1	P ₁	P ₀
---	---	---	---	---	---	----------------	----------------

<2> Number of bytes : 1

<3> Number of states : 4 (4)

<4> Function : rp3_L ← EAL, rp3_H ← EAH

Transfers the contents of the lower half (EAL) of the extended accumulator to the lower register (C, E, L) of the register pair rp3 (BC, DE, HL) specified by P₁P₀ (1 to 3), and the contents of the upper half (EAH) to the upper register (B, D, H) of the register pair.

<5> Flags affected : SK ← 0, L1 ← 0, L0 ← 0

<6> Example : DMOV B, EA; C ← EAL, B ← EAH

DMOV EA, rp3**(Move Register Pair to EA)**<1> Operation code :

1	0	1	0	0	1	P ₁	P ₀
---	---	---	---	---	---	----------------	----------------

<2> Number of bytes : 1

<3> Number of states : 4 (4)

<4> Function : EAL ← rp3_L, EAH ← rp3_H

Transfers the contents of the lower register (C, E, L) of the register pair rp3 (BC, DE, HL) specified by P₁P₀ (1 to 3) to the lower half (EAL) of the extended accumulator, and the contents of the upper register (B, D, H) of the register pair to the upper half (EAH).

<5> Flags affected : SK ← 0, L1 ← 0, L0 ← 0

<6> Example : DMOV EA, B; EAL ← C, EAH ← B

DMOV sr3, EA**(Move EA to Special Register)**<1> Operation code :

0	1	0	0	1	0	0	0
1	1	0	1	0	0	1	U ₀

<2> Number of bytes : 2

<3> Number of states : 14 (8)

<4> Function : sr3 ← EA

Transfers the extended accumulator contents to the special register sr3 (ETM0, ETM1) specified by U₀ (0, 1).

<5> Flags affected : SK ← 0, L1 ← 0, L0 ← 0

<6> Example : DMOV ETM0, EA; Transfer EA to ETM0.

DMOV EA, sr4

(Move Special Register to EA)

<1> Operation code :

0	1	0	0	1	0	0	0
1	1	0	0	0	0	0	V_0

<2> Number of bytes : 2

<3> Number of states : 14 (8)

<4> Function : $EA \leftarrow sr4$

Transfers the contents of the special register sr4 (ECNT, ECPT) specified by V_0 (0, 1) to the extended accumulator.

<5> Flags affected : $SK \leftarrow 0$, $L1 \leftarrow 0$, $L0 \leftarrow 0$

SBCD word

(Store B&C Direct)

<1> Operation code :

0	1	1	1	0	0	0	0
0	0	0	1	1	1	1	0
Low address							
High address							

<2> Number of bytes : 4

<3> Number of states : 20 (14)

<4> Function : $(word) \leftarrow C$, $(word+1) \leftarrow B$

Stores the contents of the C register in the memory addressed by the 3rd byte (lower address) and 4th byte (upper address), and stores the contents of the B register in the next memory address.

<5> Flags affected : $SK \leftarrow 0$, $L1 \leftarrow 0$, $L0 \leftarrow 0$

<6> Example : SBCD 4000H; Store C register contents in address 4000H, and store B register ; contents in address 4001H.

SDED word

(Store D&E Direct)

<1> Operation code :

0	1	1	1	0	0	0	0
0	0	1	0	1	1	1	0
Low address							
High address							

<2> Number of bytes : 4

<3> Number of states : 20 (14)

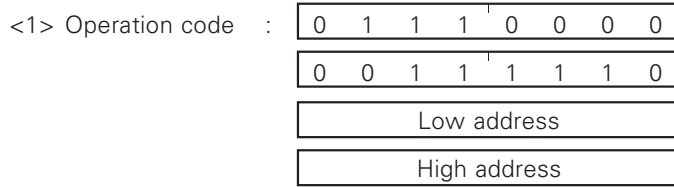
<4> Function : $(word) \leftarrow E$, $(word+1) \leftarrow D$

Stores the contents of the E register in the memory addressed by the 3rd byte (lower address) and 4th byte (upper address), and stores the contents of the D register in the next memory address.

<5> Flags affected : $SK \leftarrow 0$, $L1 \leftarrow 0$, $L0 \leftarrow 0$

SHLD word

(Store H&L Direct)



<2> Number of bytes : 4

<3> Number of states : 20 (14)

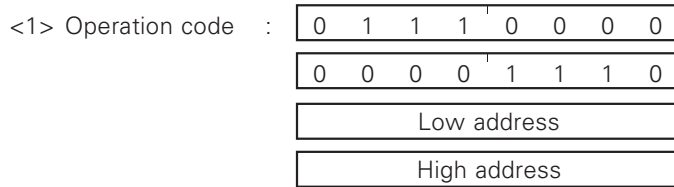
<4> Function : (word) ← L, (word+1) ← H

Stores the contents of the L register in the memory addressed by the 3rd byte (lower address) and 4th byte (upper address), and stores the contents of the H register in the next memory address.

<5> Flags affected : SK ← 0, L1 ← 0, L0 ← 0

SSPD word

(Store SP Direct)



<2> Number of bytes : 4

<3> Number of states : 20 (14)

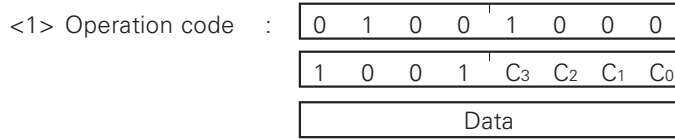
<4> Function : (word) ← SPL, (word+1) ← SPH

Stores the low-order 8 bits (SPL) of the stack pointer in the memory addressed by the 3rd byte (lower address) and 4th byte (upper address), and stores the high-order 8 bits (SPH) in the next memory address.

<5> Flags affected : SK ← 0, L1 ← 0, L0 ← 0

STEAX rpa3

(Store EA to Memory addressed by Register Pair)



<2> Number of bytes/states:

The number of bytes and number of states are as shown below, depending on the rpa3 specification.

rpa3	D	H	D++	H++	D+byte	H+A	H+B	H+EA	H+byte
Number of bytes	2				3	2			3
Number of states	14 (8)				20 (11)				

<3> Function : (rpa3) ← EAL, (rpa3+1) ← EAH

Stores the contents of the low-order 8 bits (EAL) of the extended accumulator in the memory addressed by the register pair rpa3 (DE, HL, DE++, HL++, DE+byte, HL+A, HL+B, HL+EA, HL+byte) specified by C₃C₂C₁C₀ (2 to 5, B to F), and stores the contents of the high-order 8 bits (EAH) in the memory addressed by rpa3 + 1.

If DE+byte or HL+byte is specified as rpa3, memory is addressed by the result of adding the 3rd byte (Data) of the instruction to the contents of DE/HL. If HL+A, HL+B, or HL+EA is specified, the memory is addressed by the result of adding the contents of the register (A, B, EA) to the contents of HL.

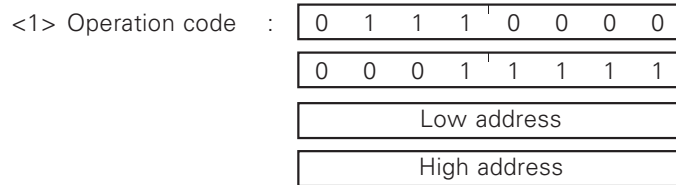
<4> Flags affected : SK ← 0, L1 ← 0, L0 ← 0

<5> Example : LXI D, 4000H ; DE ← 4000H
 STEAX D++ ; (4000H) ← EAL, (4001H) ← EAH
 ; DE ← 4002H
 STEAX D+10H ; (4012H) ← EAL, (4013H) ← EAH
 ; DE=4002H

This example stores the low-order 8 bits (EAL) of the extended accumulator in address 4000H and address 4012H, and stores the high-order 8 bits (EAH) in address 4001H and address 4013H.

LBCD word

(Load B&C Direct)



<2> Number of bytes : 4

<3> Number of states : 20 (14)

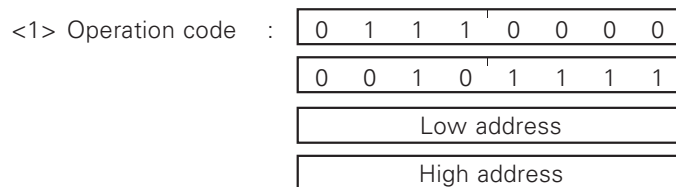
<4> Function : $C \leftarrow (\text{word}), B \leftarrow (\text{word}+1)$

Loads the contents of the memory addressed by the 3rd byte (lower address) and 4th byte (upper address) into the C register, and loads the contents of the next memory address into the B register.

<5> Flags affected : $SK \leftarrow 0, L1 \leftarrow 0, L0 \leftarrow 0$

LDED word

(Load D&E Direct)



<2> Number of bytes : 4

<3> Number of states : 20 (14)

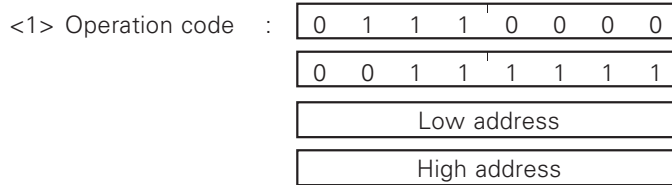
<4> Function : $E \leftarrow (\text{word}), D \leftarrow (\text{word}+1)$

Loads the contents of the memory addressed by the 3rd byte (lower address) and 4th byte (upper address) into the E register, and loads the contents of the next memory address into the D register.

<5> Flags affected : $SK \leftarrow 0, L1 \leftarrow 0, L0 \leftarrow 0$

LHLD word

(Load H&L Direct)



<2> Number of bytes : 4

<3> Number of states : 20 (14)

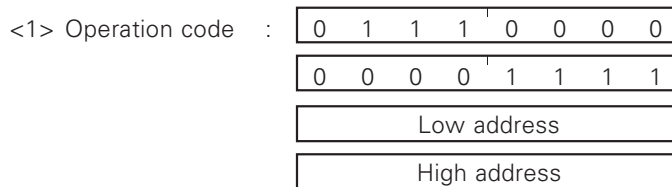
<4> Function : $L \leftarrow (\text{word}), H \leftarrow (\text{word}+1)$

Loads the contents of the memory addressed by the 3rd byte (lower address) and 4th byte (upper address) into the L register, and loads the contents of the next memory address into the H register.

<5> Flags affected : $SK \leftarrow 0, L1 \leftarrow 0, L0 \leftarrow 0$

LSPD word

(Load SP Direct)



<2> Number of bytes : 4

<3> Number of states : 20 (14)

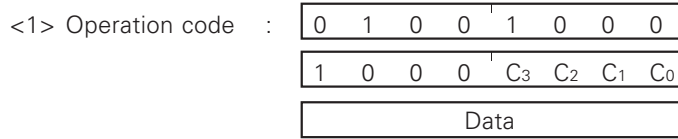
<4> Function : $SP_L \leftarrow (\text{word}), SP_H \leftarrow (\text{word}+1)$

Loads the contents of the memory addressed by the 3rd byte (lower address) and 4th byte (upper address) into the low-order 8 bits (SP_L) of the stack pointer, and loads the contents of the next memory address into the high-order 8 bits (SP_H).

<5> Flags affected : $SK \leftarrow 0, L1 \leftarrow 0, L0 \leftarrow 0$

LDEAX rpa3

(Load EA with Memory addressed by Register Pair)



<2> Number of bytes/states:

The number of bytes and number of states are as shown below, depending on the rpa3 specification.

rpa3	D	H	D++	H++	D+byte	H+A	H+B	H+EA	H+byte
Number of bytes	2				3	2		3	
Number of states	14 (8)				20 (11)				

<3> Function : $EAL \leftarrow (rpa3), EAH \leftarrow (rpa3+1)$

Loads the contents of the memory addressed by the register pair rpa3 (DE, HL, DE++, HL++, DE+byte, HL+A, HL+B, HL+EA, HL+byte) specified by C₃C₂C₁C₀ (2 to 5, B to F) into the low-order 8 bits (EAL) of the extended accumulator, and loads the contents of the memory addressed by rpa3+1 into the high-order 8 bits (EAH). If DE+byte or HL+byte is specified as rpa3, the memory is addressed by the result of adding the 3rd byte (Data) of the instruction to the contents of DE/HL.

If HL+A, HL+B, or HL+EA is specified, the memory is addressed by the result of adding the contents of the register (A, B, EA) to the contents of HL.

<4> Flags affected : $SK \leftarrow 0, L1 \leftarrow 0, L0 \leftarrow 0$

PUSH rp1

(Push Register Pair on Stack)

<1> Operation code :

1	0	1	1	0	Q ₂	Q ₁	Q ₀
---	---	---	---	---	----------------	----------------	----------------

<2> Number of bytes : 1

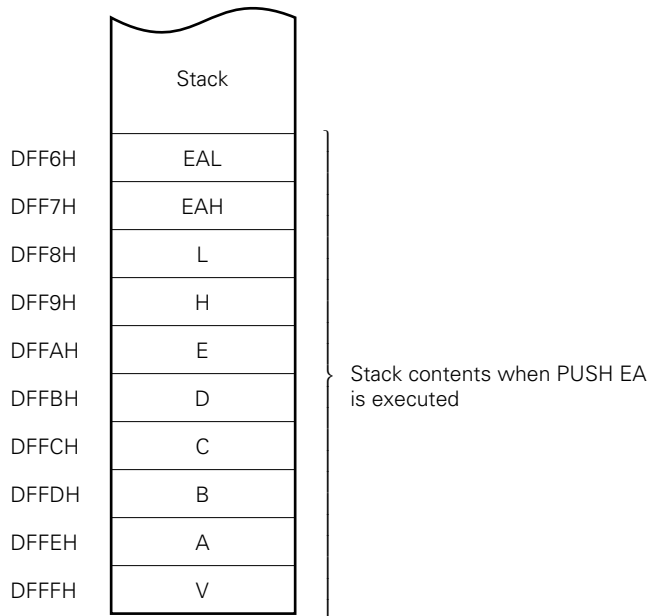
<3> Number of states : 13 (4)

<4> Function : (SP-1) ← rp1_H, (SP-2) ← rp1_L, SP ← SP-2

Saves the upper half (V, B, D, H, EAH) of the register pair rp1 (VA, BC, DE, HL) or extended accumulator specified by Q₂Q₁Q₀ (0 to 4) to the stack memory addressed by (SP-1), and saves the lower half (A, C, E, L, EAL) to the stack memory addressed by (SP-2).

<5> Flags affected : SK ← 0, L1 ← 0, L0 ← 0

<6> Example : PROGRAM START
 LXI SP, 0E000H
 ⋮
 ; INTERRUPT ROUTINE
 PUSH V
 PUSH B
 PUSH D
 PUSH H
 PUSH EA
 ⋮
 POP EA
 POP H
 POP D
 POP B
 POP V
 EI
 RETI



POP rp1

(Pop Register Pair off Stack)

<1> Operation code :

1	0	1	0	0	Q_2	Q_1	Q_0
---	---	---	---	---	-------	-------	-------

<2> Number of bytes : 1

<3> Number of states : 10 (4)

<4> Function : $rp1L \leftarrow (SP)$, $rp1H \leftarrow (SP+1)$, $SP \leftarrow SP+2$

Restores the contents of the stack memory addressed by (SP) to the lower half (A, C, E, L, EAL) of the register pair rp1 (VA, BC, DE, HL) or extended accumulator specified by $Q_2Q_1Q_0$ (0 to 4), and restores the contents of the stack memory addressed by (SP+1) to the upper half (V, B, D, H, EAH).

<5> Flags affected : $SK \leftarrow 0$, $L1 \leftarrow 0$, $L0 \leftarrow 0$

<6> Example : PUSH B
 PUSH D
 :
 POP D
 POP B

As the stack pointer indicates the last stack address saved to, the POP instruction restores items in the reverse order from that used in the PUSH instruction.

LXI rp2, word

(Load Register Pair with Immediate)

<1> Operation code :

0	P_2	P_1	P_0	1	0	0	0
Low byte							
High byte							

<2> Number of bytes : 3

<3> Number of states : 10 (10)

<4> Function : $rp2 \leftarrow \text{word}$

Loads the 2nd byte into the low-order 8 bits (SP_L) of the SP or the lower half (C, E, L, EAL) of the register pair rp2 (BC, DE, HL) or extended address specified by $P_2P_1P_0$ (0 to 4), and loads the 3rd byte into the upper half (SP_H , B, D, H, EAH). A stacking effect is produced when HL is specified as the register pair.

<5> Flags affected : $SK \leftarrow 0$, $L1 \leftarrow 0$, $L0 \leftarrow 1$ (when $rp2 = HL$)
 $SK \leftarrow 0$, $L1 \leftarrow 0$, $L0 \leftarrow 0$ (other cases)

<6> Example : LXI B, 4000H; Load 40H into B register and 00H into C register.

TABLE

(Table pick up)

<1> Operation code :

0	1	0	0	1	0	0	0
---	---	---	---	---	---	---	---

1	0	1	0	1	0	0	0
---	---	---	---	---	---	---	---

<2> Number of bytes : 2

<3> Number of states : 17 (8)

<4> Function : $C \leftarrow (PC+3+A)$, $B \leftarrow (PC+3+A+1)$

Loads the table contents addressed by $PC+3+A$ into the C register, and loads the table contents addressed by $PC+3+A+1$ into the B register.

<5> Flags affected : $SK \leftarrow 0$, $L1 \leftarrow 0$, $L0 \leftarrow 0$

<6> Example : TB0 : MVI A, 0; A=0
 TB1 : MVI A, 1; A=1
 TB2 : MVI A, 2; A=2
 SLL A ; Shift Logical Left Accumulator
 PC TABLE ; $BC \leftarrow (TABLE)$
 PC+2 JB ; $PC \leftarrow BC$



14.6.3 8-bit operation instructions (Register)

ADD A, r**(Add Register to A)**

<1> Operation code :

0	1	1	0	0	0	0	0
---	---	---	---	---	---	---	---

1	1	0	0	0	R ₂	R ₁	R ₀
---	---	---	---	---	----------------	----------------	----------------

<2> Number of bytes : 2

<3> Number of states : 8 (8)

<4> Function : $A \leftarrow A+r$

Adds the contents of the register r (V, A, B, C, D, E, H, L) specified by $R_2R_1R_0$ (0 to 7) to the contents of the accumulator, and stores the result in the accumulator.

<5> Flags affected : Z, SK \leftarrow 0, HC, L1 \leftarrow 0, L0 \leftarrow 0, CY

<6> Example : ADD A, C; Add A and C registers and store result in A.

ADD r, A**(Add A to Register)**

<1> Operation code :

0	1	1	0	0	0	0	0
---	---	---	---	---	---	---	---

0	1	0	0	0	R ₂	R ₁	R ₀
---	---	---	---	---	----------------	----------------	----------------

<2> Number of bytes : 2

<3> Number of states : 8 (8)

<4> Function : $r \leftarrow r+A$

Adds the contents of the accumulator to the contents of the register r (V, A, B, C, D, E, H, L) specified by $R_2R_1R_0$ (0 to 7), and stores the result in the specified register.

<5> Flags affected : Z, SK \leftarrow 0, HC, L1 \leftarrow 0, L0 \leftarrow 0, CY

<6> Example : ADD B, A; Add B and A registers and store the result in B.

ADC A, r**(Add Register to A with Carry)**

<1> Operation code :

0	1	1	0	0	0	0	0
---	---	---	---	---	---	---	---

1	1	0	1	0	R ₂	R ₁	R ₀
---	---	---	---	---	----------------	----------------	----------------

<2> Number of bytes : 2

<3> Number of states : 8 (8)

<4> Function : $A \leftarrow A+r+CY$

Adds the contents of the register r (V, A, B, C, D, E, H, L) specified by $R_2R_1R_0$ (0 to 7) to the contents of the accumulator including the CY flag, and stores the result in the accumulator.

<5> Flags affected : Z, SK \leftarrow 0, HC, L1 \leftarrow 0, L0 \leftarrow 0, CY

<6> Example : ADC A, E; $A \leftarrow A+E+CY$

ADC r, A

(Add A to Register with Carry)

<1> Operation code :

0	1	1	0	0	0	0	0
0	1	0	1	0	R ₂	R ₁	R ₀

<2> Number of bytes : 2

<3> Number of states : 8 (8)

<4> Function : $r \leftarrow r+A+CY$

Adds the contents of the accumulator to the contents of the register r (V, A, B, C, D, E, H, L) specified by R₂R₁R₀ (0 to 7) including the CY flag, and stores the result in the specified register.

<5> Flags affected : Z, SK \leftarrow 0, HC, L1 \leftarrow 0, L0 \leftarrow 0, CY

<6> Example : Add the register pairs HL and DE, and store the result in HL:

```
MOV  A, E ; A ← E
ADD  L, A ; L ← L+A
MOV  A, D ; A ← D
ADC  H, A ; H ← H+A+CY
```

ADDNC A, r

(Add Register to A. Skip if No Carry)

<1> Operation code :

0	1	1	0	0	0	0	0
1	0	1	0	0	R ₂	R ₁	R ₀

<2> Number of bytes : 2

<3> Number of states : 8 (8)

<4> Function : $A \leftarrow A+r$; Skip if no carry.

Adds the contents of the register r (V, A, B, C, D, E, H, L) specified by R₂R₁R₀ (0 to 7), to the contents of the accumulator, and stores the result in the accumulator. Skips if no carry is generated as a result of the addition.

<5> Flags affected : Z, SK, HC, L1 \leftarrow 0, L0 \leftarrow 0, CY

<6> Example : ADDNC A, V; $A \leftarrow A+V$

A skip is performed if no carry is generated as a result of the addition.

ADDNC r, A

(Add A to Register. Skip if No Carry)

<1> Operation code :

0	1	1	0	0	0	0	0
---	---	---	---	---	---	---	---

0	0	1	0	0	R ₂	R ₁	R ₀
---	---	---	---	---	----------------	----------------	----------------

<2> Number of bytes : 2

<3> Number of states : 8 (8)

<4> Function : $r \leftarrow r+A$; Skip if no carry.

Adds the contents of the accumulator to the contents of the register r (V, A, B, C, D, E, H, L) specified by $R_2R_1R_0$ (0 to 7), and stores the result in the specified register. Skips if no carry is generated as a result of the addition.

<5> Flags affected : Z, SK, HC, $L1 \leftarrow 0$, $L0 \leftarrow 0$, CY

<6> Example : Add A to the HL register pair.

ADDNC L, A; $L \leftarrow L+A$, SKIP IF NO CARRY.

ADI H, I; $H \leftarrow H+1$

If no carry is generated a skip is performed and the addition ends; if a carry is generated, the carry is added to the upper byte and the addition ends.

SUB A, r

(Subtract Register from A)

<1> Operation code :

0	1	1	0	0	0	0	0
---	---	---	---	---	---	---	---

1	1	1	0	0	R ₂	R ₁	R ₀
---	---	---	---	---	----------------	----------------	----------------

<2> Number of bytes : 2

<3> Number of states : 8 (8)

<4> Function : $A \leftarrow A - r$

Subtracts the contents of the register r (V, A, B, C, D, E, H, L) specified by $R_2R_1R_0$ (0 to 7) from the contents of the accumulator, and stores the result in the accumulator.

<5> Flags affected : Z, $SK \leftarrow 0$, HC, $L1 \leftarrow 0$, $L0 \leftarrow 0$, CY

<6> Example : SUB A, B; $A \leftarrow A-B$

SUB r, A

(Subtract A from Register)

<1> Operation code :

0	1	1	0	0	0	0	0
0	1	1	0	0	R ₂	R ₁	R ₀

<2> Number of bytes : 2

<3> Number of states : 8 (8)

<4> Function : $r \leftarrow r - A$

Subtracts the contents of the accumulator from the contents of the register r (V, A, B, C, D, E, H, L) specified by R₂R₁R₀ (0 to 7), and stores the result in the specified register.

<5> Flags affected : Z, SK \leftarrow 0, HC, L1 \leftarrow 0, L0 \leftarrow 0, CY

<6> Example : SUB A, A; $A \leftarrow A - A = 0$

This operation clears the HC and CY flags and sets the Z flag.

SBB A, r

(Subtract Register from A with Borrow)

<1> Operation code :

0	1	1	0	0	0	0	0
1	1	1	1	0	R ₂	R ₁	R ₀

<2> Number of bytes : 2

<3> Number of states : 8 (8)

<4> Function : $A \leftarrow A - r - CY$

Subtracts the contents of the register r (V, A, B, C, D, E, H, L) specified by R₂R₁R₀ (0 to 7) including the CY flag from the contents of the accumulator, and stores the result in the accumulator.

<5> Flags affected : Z, SK \leftarrow 0, HC, L1 \leftarrow 0, L0 \leftarrow 0, CY

<6> Example : SBB A, L; $A \leftarrow A - L - CY$

SBB r, A

(Subtract A from Register with Borrow)

<1> Operation code :

0	1	1	0	0	0	0	0
0	1	1	1	0	R ₂	R ₁	R ₀

<2> Number of bytes : 2

<3> Number of states : 8 (8)

<4> Function : $r \leftarrow r - A - CY$

Subtracts the contents of the accumulator including the CY flag from the contents of the register r (V, A, B, C, D, E, H, L) specified by R₂R₁R₀ (0 to 7), and stores the result in the specified register.

<5> Flags affected : Z, SK \leftarrow 0, HC, L1 \leftarrow 0, L0 \leftarrow 0, CY

<6> Example : SBB B, A; $B \leftarrow B - A - CY$

SUBNB A, r

(Subtract Register from A. Skip if No Borrow)

<1> Operation code :

0	1	1	0	0	0	0	0
---	---	---	---	---	---	---	---

1	0	1	1	0	R ₂	R ₁	R ₀
---	---	---	---	---	----------------	----------------	----------------

<2> Number of bytes : 2

<3> Number of states : 8 (8)

<4> Function : $A \leftarrow A-r$; Skip if no borrow.

Subtracts the contents of the register r (V, A, B, C, D, E, H, L) specified by R₂R₁R₀ (0 to 7) from the contents of the accumulator, and stores the result in the accumulator. Skips if no borrow is generated as a result of the subtraction.

<5> Flags affected : Z, SK, HC, L1 \leftarrow 0, L0 \leftarrow 0, CY

<6> Example : SUBNB A, D; $A \leftarrow A-D$
 A skip is performed if no borrow is generated as a result of the subtraction.

SUBNB r, A

(Subtract A from Register. Skip if No Borrow)

<1> Operation code :

0	1	1	0	0	0	0	0
---	---	---	---	---	---	---	---

0	0	1	1	0	R ₂	R ₁	R ₀
---	---	---	---	---	----------------	----------------	----------------

<2> Number of bytes : 2

<3> Number of states : 8 (8)

<4> Function : $r \leftarrow r-A$; Skip if no borrow.

Subtracts the contents of the accumulator from the contents of the register r (V, A, B, C, D, E, H, L) specified by R₂R₁R₀ (0 to 7), and stores the result in the specified register. Skips if no borrow is generated as a result of the subtraction.

<5> Flags affected : Z, SK, HC, L1 \leftarrow 0, L0 \leftarrow 0, CY

<6> Example : To subtract A from the HL register pair.
 SUBNB L, A; L \leftarrow L-A, SKIP IF NO BORROW.
 SUI H, I; H \leftarrow H-1

ANA A, r

(And Register with A)

<1> Operation code :

0	1	1	0	0	0	0	0
1	0	0	0	1	R ₂	R ₁	R ₀

<2> Number of bytes : 2

<3> Number of states : 8 (8)

<4> Function : $A \leftarrow A \wedge r$

Obtains the logical product of the contents of the accumulator and the contents of the register r (V, A, B, C, D, E, H, L) specified by R₂R₁R₀ (0 to 7), and stores the result in the accumulator.

<5> Flags affected : Z, SK \leftarrow 0, L1 \leftarrow 0, L0 \leftarrow 0

<6> Example : ANA A, L; $A \leftarrow A \wedge L$

ANA r, A

(And A with Register)

<1> Operation code :

0	1	1	0	0	0	0	0
0	0	0	0	1	R ₂	R ₁	R ₀

<2> Number of bytes : 2

<3> Number of states : 8 (8)

<4> Function : $r \leftarrow r \wedge A$

Obtains the logical product of the contents of the register r (V, A, B, C, D, E, H, L) specified by R₂R₁R₀ (0 to 7) and the contents of the accumulator, and stores the result in the specified register.

<5> Flags affected : Z, SK \leftarrow 0, L1 \leftarrow 0, L0 \leftarrow 0

<6> Example : ANA H, A; $H \leftarrow H \wedge A$

ORA A, r

(Or Register with A)

<1> Operation code :

0	1	1	0	0	0	0	0
1	0	0	1	1	R ₂	R ₁	R ₀

<2> Number of bytes : 2

<3> Number of states : 8 (8)

<4> Function : $A \leftarrow A \vee r$

Obtains the logical sum of the contents of the accumulator and the contents of the register r (V, A, B, C, D, E, H, L) specified by R₂R₁R₀ (0 to 7), and stores the result in the accumulator.

<5> Flags affected : Z, SK \leftarrow 0, L1 \leftarrow 0, L0 \leftarrow 0

<6> Example : ORA A, H; $A \leftarrow A \vee H$

ORA r, A

(Or A with Register)

<1> Operation code :

0	1	1	0	0	0	0	0
---	---	---	---	---	---	---	---

0	0	0	1	1	R ₂	R ₁	R ₀
---	---	---	---	---	----------------	----------------	----------------

<2> Number of bytes : 2

<3> Number of states : 8 (8)

<4> Function : $r \leftarrow r \vee A$

Obtains the logical sum of the contents of the register r (V, A, B, C, D, E, H, L) specified by R₂R₁R₀ (0 to 7), and the contents of the accumulator, and stores the result in the specified register.

<5> Flags affected : Z, SK \leftarrow 0, L1 \leftarrow 0, L0 \leftarrow 0

<6> Example : ORA L, A; L \leftarrow L \vee A

XRA A, r

(Exclusive-Or Register with A)

<1> Operation code :

0	1	1	0	0	0	0	0
---	---	---	---	---	---	---	---

1	0	0	1	0	R ₂	R ₁	R ₀
---	---	---	---	---	----------------	----------------	----------------

<2> Number of bytes : 2

<3> Number of states : 8 (8)

<4> Function : $A \leftarrow A \nabla r$

Obtains the exclusive logical sum of the contents of the accumulator and the contents of the register r (V, A, B, C, D, E, H, L) specified by R₂R₁R₀ (0 to 7), and stores the result in the accumulator.

<5> Flags affected : Z, SK \leftarrow 0, L1 \leftarrow 0, L0 \leftarrow 0

<6> Example : XRA A, B; A \leftarrow A ∇ B

XRA r, A

(Exclusive-Or A with Register)

<1> Operation code :

0	1	1	0	0	0	0	0
---	---	---	---	---	---	---	---

0	0	0	1	0	R ₂	R ₁	R ₀
---	---	---	---	---	----------------	----------------	----------------

<2> Number of bytes : 2

<3> Number of states : 8 (8)

<4> Function : $r \leftarrow r \nabla A$

Obtains the exclusive logical sum of the contents of the register r (V, A, B, C, D, E, H, L) specified by R₂R₁R₀ (0 to 7) and the contents of the accumulator, and stores the result in the specified register.

<5> Flags affected : Z, SK \leftarrow 0, L1 \leftarrow 0, L0 \leftarrow 0

<6> Example : XRA C, A; C \leftarrow C ∇ A

GTA A, r

(Greater Than Register)

<1> Operation code :

0	1	1	0	0	0	0	0
1	0	1	0	1	R_2	R_1	R_0

<2> Number of bytes : 2

<3> Number of states : 8 (8)

<4> Function : $A-r-1 \leftarrow$ Skip if no borrow.

Subtracts the contents of the register r (V, A, B, C, D, E, H, L) specified by $R_2R_1R_0$ (0 to 7) and 1 from the contents of the accumulator. Skips if no borrow is generated as a result of the subtraction ($A > r$).

<5> Flags affected : Z, SK, HC, $L1 \leftarrow 0$, $L0 \leftarrow 0$, CY

<6> Example : GTA A, B; A-B-1
A skip is performed if A is greater than B.

GTA r, A

(Greater Than A)

<1> Operation code :

0	1	1	0	0	0	0	0
0	0	1	0	1	R_2	R_1	R_0

<2> Number of bytes : 2

<3> Number of states : 8 (8)

<4> Function : $r-A-1 \leftarrow$ Skip if no borrow.

Subtracts the contents of the accumulator and 1 from the contents of the register r (V, A, B, C, D, E, H, L) specified by $R_2R_1R_0$ (0 to 7). Skips if no borrow is generated as a result of the subtraction ($r > A$).

<5> Flags affected : Z, SK, HC, $L1 \leftarrow 0$, $L0 \leftarrow 0$, CY

<6> Example : GTA B, A; B-A-1
A skip is performed if B is greater than A.

LTA A, r

(Less Than Register)

<1> Operation code :

0	1	1	0	0	0	0	0
---	---	---	---	---	---	---	---

1	0	1	1	1	R ₂	R ₁	R ₀
---	---	---	---	---	----------------	----------------	----------------

<2> Number of bytes : 2

<3> Number of states : 8 (8)

<4> Function : A-r; Skip if borrow.

Subtracts the contents of the register r (V, A, B, C, D, E, H, L) specified by R₂R₁R₀ (0 to 7) from the contents of the accumulator. Skips if a borrow is generated as a result of the subtraction (A < r).

<5> Flags affected : Z, SK, HC, L1 ← 0, L0 ← 0, CY

<6> Example : LTA A, L; A-L
A skip is performed if A is less than the L register.

LTA r, A

(Less Than A)

<1> Operation code :

0	1	1	0	0	0	0	0
---	---	---	---	---	---	---	---

0	0	1	1	1	R ₂	R ₁	R ₀
---	---	---	---	---	----------------	----------------	----------------

<2> Number of bytes : 2

<3> Number of states : 8 (8)

<4> Function : r-A; Skip if borrow.

Subtracts the contents of the accumulator from the contents of the register r (V, A, B, C, D, E, H, L) specified by R₂R₁R₀ (0 to 7). Skips if a borrow is generated as a result of the subtraction (r < A).

<5> Flags affected : Z, SK, HC, L1 ← 0, L0 ← 0, CY

<6> Example : LTA H, A; H-A
A skip is performed if the H register is less than A.

NEA A, r

(Not Equal Register with A)

<1> Operation code :

0	1	1	0	0	0	0	0
1	1	1	0	1	R ₂	R ₁	R ₀

<2> Number of bytes : 2

<3> Number of states : 8 (8)

<4> Function : A-r; Skip if no zero.

Subtracts the contents of the register r (V, A, B, C, D, E, H, L) specified by R₂R₁R₀ (0 to 7) from the contents of the accumulator. Skips if the result of the subtraction is not zero (A ≠ r).

<5> Flags affected : Z, SK, HC, L1 ← 0, L0 ← 0, CY

<6> Example : NEA A, B; SKIP IF A ≠ B
If A < B the CY flag is set; if A = B the Z flag is set.

NEA r, A

(Not Equal A with Register)

<1> Operation code :

0	1	1	0	0	0	0	0
0	1	1	0	1	R ₂	R ₁	R ₀

<2> Number of bytes : 2

<3> Number of states : 8 (8)

<4> Function : r-A; Skip if no zero.

Subtracts the contents of the register r (V, A, B, C, D, E, H, L) specified by R₂R₁R₀ (0 to 7), Skips if the result of the subtraction is not zero (r ≠ A).

<5> Flags affected : Z, SK, HC, L1 ← 0, L0 ← 0, CY

<6> Example : NEA C, A; SKIP IF C ≠ A
If C < A the CY flag is set; if C = A the Z flag is set.

EQA A, r

(Equal Register with A)

<1> Operation code :

0	1	1	0	0	0	0	0
1	1	1	1	1	R ₂	R ₁	R ₀

<2> Number of bytes : 2

<3> Number of states : 8 (8)

<4> Function : A-r; Skip if zero.

Subtracts the contents of the register r (V, A, B, C, D, E, H, L) specified by R₂R₁R₀ (0 to 7) from the contents of the accumulator. Skips if the result of the subtraction is zero (A = r).

<5> Flags affected : Z, SK, HC, L1 ← 0, L0 ← 0, CY

<6> Example : EQA A, D; SKIP IF A = D

EQA r, A

(Equal A with Register)

<1> Operation code :

0	1	1	0	0	0	0	0
---	---	---	---	---	---	---	---

0	1	1	1	1	R ₂	R ₁	R ₀
---	---	---	---	---	----------------	----------------	----------------

<2> Number of bytes : 2

<3> Number of states : 8 (8)

<4> Function : $r - A$; Skip if zero.

Subtracts the contents of the accumulator from the contents of the register r (V, A, B, C, D, E, H, L) specified by $R_2R_1R_0$ (0 to 7). Skips if the result of the subtraction is zero ($r = A$).

<5> Flags affected : Z, SK, HC, $L1 \leftarrow 0$, $L0 \leftarrow 0$, CY

<6> Example : EQA E, A; SKIP IF E = A

ONA A, r

(On-Test Register with A)

<1> Operation code :

0	1	1	0	0	0	0	0
---	---	---	---	---	---	---	---

1	1	0	0	1	R ₂	R ₁	R ₀
---	---	---	---	---	----------------	----------------	----------------

<2> Number of bytes : 2

<3> Number of states : 8 (8)

<4> Function : $A \wedge r$; Skip if no zero.

Obtains the logical product of the contents of the accumulator and the contents of the register r (V, A, B, C, D, E, H, L) specified by $R_2R_1R_0$ (0 to 7). Skips if the logical product is not zero.

<5> Flags affected : Z, SK, $L1 \leftarrow 0$, $L0 \leftarrow 0$

OFFA A, r

(Off-Test Register with A)

<1> Operation code :

0	1	1	0	0	0	0	0
---	---	---	---	---	---	---	---

1	1	0	1	1	R ₂	R ₁	R ₀
---	---	---	---	---	----------------	----------------	----------------

<2> Number of bytes : 2

<3> Number of states : 8 (8)

<4> Function : $A \wedge r$; Skip if zero.

Obtains the logical product of the contents of the accumulator and the contents of the register r (V, A, B, C, D, E, H, L) specified by $R_2R_1R_0$ (0 to 7). Skips if the logical product is zero.

<5> Flags affected : Z, SK, $L1 \leftarrow 0$, $L0 \leftarrow 0$

14.6.4 8-bit operation instructions (Memory)

ADDX rpa**(Add Memory addressed by Register Pair to A)**

<1> Operation code :

0	1	1	1	0	0	0	0
---	---	---	---	---	---	---	---

1	1	0	0	0	A ₂	A ₁	A ₀
---	---	---	---	---	----------------	----------------	----------------

<2> Number of bytes : 2

<3> Number of states : 11 (8)

<4> Function : $A \leftarrow A + (\text{rpa})$

Adds the contents of the memory addressed by the register pair rpa (BC, DE, HL, DE+, HL+ DE-, HL-) specified by A₂A₁A₀ (1 to 7) to the contents of the accumulator, and stores the result in the accumulator.

<5> Flags affected : Z, SK \leftarrow 0, HC, L1 \leftarrow 0, L0 \leftarrow 0, CY

<6> Example : MOV A, 4000H ; $A \leftarrow (4000\text{H})$
 LXI H, 4200H ; $\text{HL} \leftarrow 4200\text{H}$
 ADDX H ; $A \leftarrow A + (\text{HL})$

This example adds together the contents of address 4000H and address 4200H.

ADCX rpa**(Add Memory addressed by Register Pair to A with Carry)**

<1> Operation code :

0	1	1	1	0	0	0	0
---	---	---	---	---	---	---	---

1	1	0	1	0	A ₂	A ₁	A ₀
---	---	---	---	---	----------------	----------------	----------------

<2> Number of bytes : 2

<3> Number of states : 11 (8)

<4> Function : $A \leftarrow A + (\text{rpa}) + \text{CY}$

Adds the contents of the memory addressed by the register pair rpa (BC, DE, HL, DE+, HL+, DE-, HL-) specified by A₂A₁A₀ (1 to 7) to the contents of the accumulator including the CY flag, and stores the result in the accumulator.

<5> Flags affected : Z, SK \leftarrow 0, HC, L1 \leftarrow 0, L0 \leftarrow 0, CY

<6> Example : ADCX D+; $A \leftarrow A + (\text{DE}) + \text{CY}$, $\text{DE} \leftarrow \text{DE} + 1$

This example adds the contents of the memory addressed by the DE register pair to A and stores the result in A, and then increments DE.

ADDNCX rpa

(Add Memory addressed by Register Pair to A. Skip if No Carry)

<1> Operation code :

0	1	1	1	0	0	0	0
1	0	1	0	0	A ₂	A ₁	A ₀

<2> Number of bytes : 2

<3> Number of states : 11 (8)

<4> Function : $A \leftarrow A + (rpa)$; Skip if no carry.

Adds the contents of the memory addressed by the register pair rpa (BC, DE, HL, DE+, HL+, DE-, HL-) specified by A₂A₁A₀ (1 to 7) and the contents of the accumulator, and stores the result in the accumulator. Skips if no carry is generated as a result of the addition.

<5> Flags affected : Z, SK, HC, L1 \leftarrow 0, L0 \leftarrow 0, CY

<6> Example :
 LXI H, 4200H ; HL \leftarrow 4200H
 LXI D, 4000H ; DE \leftarrow 4000H
 MOV A, 4100H ; A \leftarrow (4100H)
 ADDNCX D+ ; A \leftarrow A+(DE), DE \leftarrow DE+1
 STAX H ; (HL) \leftarrow A
 JMP MOTOE

This example adds together the contents of address 4100H and address 4000H, and stores the result in address 4200H if no carry is generated. If a carry is generated, the STAX instruction is skipped and the JMP instruction is executed to jump to MOTOE.

SUBX rpa

(Subtract Memory addressed by Register Pair from A)

<1> Operation code :

0	1	1	1	0	0	0	0
1	1	1	0	0	A ₂	A ₁	A ₀

<2> Number of bytes : 2

<3> Number of states : 11 (8)

<4> Function : $A \leftarrow A - (rpa)$

Subtracts the contents of the memory addressed by the register pair rpa (BC, DE, HL, DE+, HL+, DE-, HL-) specified by A₂A₁A₀ (1 to 7) from the contents of the accumulator, and stores the result in the accumulator.

<5> Flags affected : Z, SK \leftarrow 0, HC, L1 \leftarrow 0, L0 \leftarrow 0, CY

<6> Example : SUBX D; A \leftarrow A-(DE)

SBBX rpa

(Subtract Memory addressed by Register Pair from A)

<1> Operation code :

0	1	1	1	0	0	0	0
1	1	1	1	0	A ₂	A ₁	A ₀

<2> Number of bytes : 2

<3> Number of states : 11 (8)

<4> Function : $A \leftarrow A - (rpa) - CY$

Subtracts the contents of the memory addressed by the register pair rpa (BC, DE, HL, DE+, HL+, DE-, HL-) specified by A₂A₁A₀ (1 to 7) including the CY flag from the contents of the accumulator, and stores the result in the accumulator.

<5> Flags affected : Z, SK \leftarrow 0, HC, L1 \leftarrow 0, L0 \leftarrow 0, CY

<6> Example : SBBX D-; $A \leftarrow A - (DE) - CY$, DE \leftarrow DE-1

This example subtracts the contents of the memory addressed by the DE register pair including the CY flag from A and stores the result in A, and then decrements DE.

SUBNBX rpa

(Subtract Memory addressed by Register Pair from A. Skip if No Borrow)

<1> Operation code :

0	1	1	1	0	0	0	0
1	0	1	1	0	A ₂	A ₁	A ₀

<2> Number of bytes : 2

<3> Number of states : 11 (8)

<4> Function : $A \leftarrow A - (rpa)$; Skip if no borrow.

Subtracts the contents of the memory addressed by the register pair rpa (BC, DE, HL, DE+, HL+, DE-, HL-) specified by A₂A₁A₀ (1 to 7) from the contents of the accumulator, and stores the result in the accumulator. Skips if no borrow is generated as a result of the subtraction.

<5> Flags affected : Z, SK, HC, L1 \leftarrow 0, L0 \leftarrow 0, CY

<6> Example : SUBNBX B; $A \leftarrow A - (BC)$

A skip is performed if no borrow is generated as a result of the subtraction.

ANAX rpa

(And Memory addressed by Register Pair with A)

<1> Operation code :

0	1	1	1	0	0	0	0
---	---	---	---	---	---	---	---

1	0	0	0	1	A ₂	A ₁	A ₀
---	---	---	---	---	----------------	----------------	----------------

<2> Number of bytes : 2

<3> Number of states : 11 (8)

<4> Function : $A \leftarrow A \wedge (rpa)$

Obtains the logical product of the contents of the accumulator and the contents of the memory addressed by the register pair rpa (BC, DE, HL, DE+, HL+, DE-, HL-) specified by A₂A₁A₀ (1 to 7), and stores the result in the accumulator.

<5> Flags affected : Z, SK \leftarrow 0, L1 \leftarrow 0, L0 \leftarrow 0

<6> Example : ANA H-; $A \leftarrow A \wedge (HL)$, HL \leftarrow HL-1

This example obtains the logical product of A and the memory contents addressed by the HL register pair and stores the result in A, and then decrements HL.

ORAX rpa

(Or Memory addressed by Register Pair with A)

<1> Operation code :

0	1	1	1	0	0	0	0
---	---	---	---	---	---	---	---

1	0	0	1	1	A ₂	A ₁	A ₀
---	---	---	---	---	----------------	----------------	----------------

<2> Number of bytes : 2

<3> Number of states : 11 (8)

<4> Function : $A \leftarrow A \vee (rpa)$

Obtains the logical sum of the contents of the accumulator and the contents of the memory addressed by the register pair rpa (BC, DE, HL, DE+, HL+, DE-, HL-) specified by A₂A₁A₀ (1 to 7), and stores the result in the accumulator.

<5> Flags affected : Z, SK \leftarrow 0, L1 \leftarrow 0, L0 \leftarrow 0

<6> Example : ORAX D; $A \leftarrow A \vee (DE)$

XRAX rpa

(Exclusive-Or Memory addressed by Register Pair with A)

<1> Operation code :

0	1	1	1	0	0	0	0
1	0	0	1	0	A ₂	A ₁	A ₀

<2> Number of bytes : 2

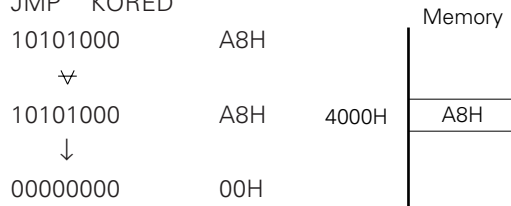
<3> Number of states : 11 (8)

<4> Function : $A \leftarrow A \oplus (rpa)$

Obtains the exclusive logical sum of the contents of the accumulator and the contents of the memory addressed by the register pair rpa (BC, DE, HL, DE+, HL+, DE-, HL-) specified by A₂A₁A₀ (1 to 7), and stores the result in the accumulator.

<5> Flags affected : Z, SK \leftarrow 0, L1 \leftarrow 0, L0 \leftarrow 0

<6> Example : LXI H, 4000H ; HL \leftarrow 4000H
 MVI A, 0A8H ; A \leftarrow A8H
 XRAX H ; A \leftarrow A \oplus (HL)
 SK Z ; SKIP IF ZERO
 STAX D ; (DE) \leftarrow A
 JMP KORED



In this example, since the contents of A and the contents of address 4000H are the same, the exclusive logical sum is 0, and the Z flag is set. Thus the STAX instruction is skipped by the following SK Z instruction, and the JMP instruction is executed.

GTAX rpa

(Greater Than Memory addressed by Register Pair)

<1> Operation code :

0	1	1	1	0	0	0	0
1	0	1	0	1	A ₂	A ₁	A ₀

<2> Number of bytes : 2

<3> Number of states : 11 (8)

<4> Function : $A - (rpa) - 1$; Skip if no borrow.

Subtracts the contents of the memory addressed by the register pair rpa (BC, DE, HL, DE+, HL+, DE-, HL-) specified by A₂A₁A₀ (1 to 7) and 1 from the contents of the accumulator. Skips if no borrow is generated as a result of the subtraction ($A > (rpa)$).

<5> Flags affected : Z, SK, HC, L1 \leftarrow 0, L0 \leftarrow 0, CY

<6> Example : GTAX D; A-(DE)-1

A skip is performed if A is greater than the contents of the memory addressed by the DE register pair.

LTAX rpa

(Less Than Memory addressed by Register Pair)

<1> Operation code :

0	1	1	1	0	0	0	0
1	0	1	1	1	A_2	A_1	A_0

<2> Number of bytes : 2

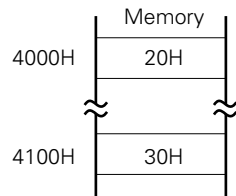
<3> Number of states : 11 (8)

<4> Function : A-(rpa); Skip if borrow.

Subtracts the contents of the memory addressed by the register pair rpa (BC, DE, HL, DE+, HL+, DE-, HL-) specified by $A_2A_1A_0$ (1 to 7) from the contents of the accumulator. Skips if a borrow is generated as a result of the subtraction ($A < (rpa)$).

<5> Flags affected : Z, SK, HC, L1 ← 0, L0 ← 0, CY

<6> Example :
 LXI D, 4000H ; DE ← 4000H
 LXI H, 1100H ; HL ← 4100H
 LDAX D ; A ← (4000H)
 LTAX H ; A - (HL)
 LDAX H ; A - (HL)
 JMP KORED



In this example, since the contents of A (contents of address 4000H = 20H) are less than the memory contents addressed by the HL register pair (contents of address 4100H = 30H), the LDAX instruction is skipped and the JMP instruction is executed. The CY, SK and HC flags are set as a result of this subtraction.

NEAX rpa

(Not Equal Memory addressed by Register Pair with A)

<1> Operation code :

0	1	1	1	0	0	0	0
1	1	1	0	1	A_2	A_1	A_0

<2> Number of bytes : 2

<3> Number of states : 11 (8)

<4> Function : A ← (rpa); Skip if no zero.

Subtracts the contents of the memory addressed by the register pair rpa (BC, DE, HL, DE+, HL+, DE-, HL-) specified by $A_2A_1A_0$ (1 to 7) from the contents of the accumulator. Skips if the result of the subtraction is no zero ($A \neq (rpa)$).

<5> Flags affected : Z, SK, HC, L1 ← 0, L0 ← 0, CY

<6> Example : NEAX B; SKIP IF A ≠ (BC)

EQAX rpa

(Equal Memory addressed by Register Pair with A)

<1> Operation code :

0	1	1	1	0	0	0	0
1	1	1	1	1	A ₂	A ₁	A ₀

<2> Number of bytes : 2

<3> Number of states : 11 (8)

<4> Function : A-(rpa); Skip if zero.

Subtracts the contents of the memory addressed by the register pair rpa (BC, DE, HL, DE+, HL+, DE-, HL-) specified by A₂A₁A₀ (1 to 7) from the contents of the accumulator. Skips if the result of the subtraction is zero (A=(rpa)).

<5> Flags affected : Z, SK, HC, L1 ← 0, L0 ← 0, CY

<6> Example : EQAX D; SKIP IF A = (DE)

A skip is performed when the contents of A and the contents of the memory addressed by the DE register pair are equal.

ONAX rpa

(On-Test Memory addressed by Register Pair with A)

<1> Operation code :

0	1	1	1	0	0	0	0
1	1	0	0	1	A ₂	A ₁	A ₀

<2> Number of bytes : 2

<3> Number of states : 11 (8)

<4> Function : A ∧ (rpa); Skip if no zero.

Obtains the logical product of the contents of the accumulator and the contents of the memory addressed by the register pair rpa (BC, DE, HL, DE+, HL+, DE-, HL-) specified by A₂A₁A₀ (1 to 7), and skips if the logical product is not zero.

<5> Flags affected : Z, SK, L1 ← 0, L0 ← 0

OFFAX rpa

(Off-Test Memory addressed by Register Pair with A)

<1> Operation code :

0	1	1	1	0	0	0	0
1	1	0	1	1	A ₂	A ₁	A ₀

<2> Number of bytes : 2

<3> Number of states : 11 (8)

<4> Function : A ∧ (rpa); Skip if zero.

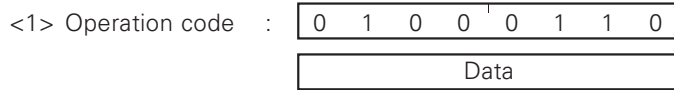
Obtains the logical product of the contents of the accumulator and the contents of the memory addressed by the register pair rpa (BC, DE, HL, DE+, HL+, DE-, HL-) specified by A₂A₁A₀ (1 to 7), and skips if the logical product is zero.

<5> Flags affected : Z, SK, L1 ← 0, L0 ← 0

14.6.5 Immediate data operation instructions

ADI A, byte

(Add Immediate to A)



<2> Number of bytes : 2

<3> Number of states : 7 (7)

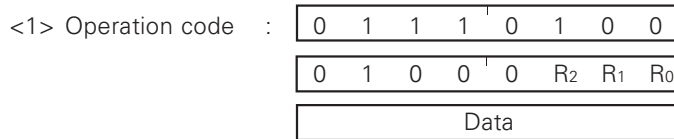
<4> Function : $A \leftarrow A + \text{byte}$

Adds the immediate data in the 2nd byte to the contents of the accumulator, and stores the result in the accumulator.

<5> Flags affected : Z, SK \leftarrow 0, HC, L1 \leftarrow 0, L0 \leftarrow 0, CY

ADI r, byte

(Add Immediate to Register)



<2> Number of bytes : 3

<3> Number of states : 11 (11)

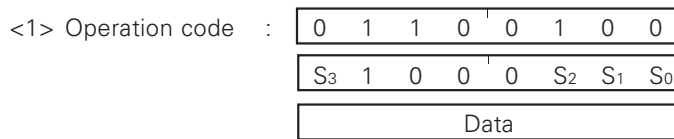
<4> Function : $r \leftarrow r + \text{byte}$

Adds the immediate data in the 3rd byte to the contents of the register r (V, A, B, C, D, E, H, L) specified by R₂R₁R₀ (0 to 7), and stores the result in the specified register.

<5> Flags affected : Z, SK \leftarrow 0, HC, L1 \leftarrow 0, L0 \leftarrow 0, CY

ADI sr2, byte

(Add Immediate to Special Register)



<2> Number of bytes : 3

<3> Number of states : 20 (11)

<4> Function : $sr2 \leftarrow sr2 + \text{byte}$

Adds the immediate data in the 3rd byte to the contents of the special register sr2 (PA, PB, PC, PD, PF, MKH, MKL, ANM, SMH, EOM, TMM) specified by S₃S₂S₁S₀ (0 to 3, 5 to 9, B, D), and stores the result in the specified special register.

<5> Flags affected : Z, SK \leftarrow 0, HC, L1 \leftarrow 0, L0 \leftarrow 0, CY

ACI A, byte

(Add Immediate to A with Carry)

<1> Operation code :

0	1	0	1	0	1	1	0
---	---	---	---	---	---	---	---

Data

<2> Number of bytes : 2

<3> Number of states : 7 (7)

<4> Function : $A \leftarrow A + \text{byte} + \text{CY}$

Adds the immediate data in the 2nd byte to the contents of the accumulator including the CY flag, and stores the result in the accumulator.

<5> Flags affected : Z, SK \leftarrow 0, HC, L1 \leftarrow 0, L0 \leftarrow 0, CY

ACI r, byte

(Add Immediate to Register with Carry)

<1> Operation code :

0	1	1	1	0	1	0	0
---	---	---	---	---	---	---	---

0	1	0	1	0	R ₂	R ₁	R ₀
---	---	---	---	---	----------------	----------------	----------------

Data

<2> Number of bytes : 3

<3> Number of states : 11 (11)

<4> Function : $r \leftarrow r + \text{byte} + \text{CY}$

Adds the immediate data in the 3rd byte to the contents of the register r (V, A, B, C, D, E, H, L) specified by R₂R₁R₀ (0 to 7) including the CY flag, and stores the result in the specified register.

<5> Flags affected : Z, SK \leftarrow 0, HC, L1 \leftarrow 0, L0 \leftarrow 0, CY

ACI sr2, byte

(Add Immediate to Special Register with Carry)

<1> Operation code :

0	1	1	0	0	1	0	0
---	---	---	---	---	---	---	---

S ₃	1	0	1	0	S ₂	S ₁	S ₀
----------------	---	---	---	---	----------------	----------------	----------------

Data

<2> Number of bytes : 3

<3> Number of states : 20 (11)

<4> Function : $\text{sr2} \leftarrow \text{sr2} + \text{byte} + \text{CY}$

Adds the immediate data in the 3rd byte to the contents of the special register sr2 (PA, PB, PC, PD, PF, MKH, MKL, ANM, SMH, EOM, TMM) specified by S₃S₂S₁S₀ (0 to 3, 5 to 9, B, D), including the CY flag, and stores the result in the specified special register.

<5> Flags affected : Z, SK \leftarrow 0, HC, L1 \leftarrow 0, L0 \leftarrow 0, CY

ADINC A, byte

(Add Immediate to A. Skip if No Carry)

<1> Operation code :

0	0	1	0	0	1	1	0
---	---	---	---	---	---	---	---

Data

<2> Number of bytes : 2

<3> Number of states : 7 (7)

<4> Function : $A \leftarrow A + \text{byte}$; Skip if no carry.

Adds the immediate data in the 2nd byte to the contents of the accumulator, and stores the result in the accumulator. Skips if no carry is generated as a result of the addition.

<5> Flags affected : Z, SK, HC, L1 \leftarrow 0, L0 \leftarrow 0, CY

<6> Example : ADINC A, 0A3H; $A \leftarrow A + 0A3H$

ADINC r, byte

(Add Immediate to Register. Skip if No Carry)

<1> Operation code :

0	1	1	1	0	1	0	0
---	---	---	---	---	---	---	---

0	0	1	0	0	R ₂	R ₁	R ₀
---	---	---	---	---	----------------	----------------	----------------

Data

<2> Number of bytes : 3

<3> Number of states : 11 (11)

<4> Function : $r \leftarrow r + \text{byte}$; Skip if no carry.

Adds the immediate data in the 3rd byte to the contents of the register r (V, A, B, C, D, E, H, L) specified by R₂R₁R₀ (0 to 7), and stores the result in the specified register. Skips if no carry is generated as a result of the addition.

<5> Flags affected : Z, SK, HC, L1 \leftarrow 0, L0 \leftarrow 0, CY

<6> Example : To add immediate data to the HL register pair:
 ADINC L, IMM ; $L \leftarrow L + \text{IMM}$, SKIP IF NO CARRY
 ADI H, 01H ; $H \leftarrow H + 1$

ADINC sr2, byte

(Add Immediate with Special Register. Skip if No Carry)

<1> Operation code :

0	1	1	0	0	1	0	0
---	---	---	---	---	---	---	---

S ₃	0	1	0	0	S ₂	S ₁	S ₀
----------------	---	---	---	---	----------------	----------------	----------------

Data

<2> Number of bytes : 3

<3> Number of states : 20 (11)

<4> Function : $sr2 \leftarrow sr2 + \text{byte}$; Skip if no carry.

Adds the immediate data in the 3rd byte to the contents of the special register sr2 (PA, PB, PC, PD, PF, MKH, MKL, ANM, SMH, EOM, TMM) specified by S₃S₂S₁S₀ (0 to 3, 5 to 9, B, D), and stores the result in the specified special register. Skips if no carry is generated as a result of the addition.

<5> Flags affected : Z, SK, HC, L1 \leftarrow 0, L0 \leftarrow 0, CY

SUI A, byte

(Subtract Immediate from A)

<1> Operation code :

0	1	1	0	0	1	1	0
---	---	---	---	---	---	---	---

Data

<2> Number of bytes : 2

<3> Number of states : 7 (7)

<4> Function : $A \leftarrow A\text{-byte}$

Subtracts the immediate data in the 2nd byte from the contents of the accumulator, and stores the result in the accumulator.

<5> Flags affected : Z, SK \leftarrow 0, HC, L1 \leftarrow 0, L0 \leftarrow 0, CY

SUI r, byte

(Subtract Immediate from Register)

<1> Operation code :

0	1	1	1	0	1	0	0
---	---	---	---	---	---	---	---

0	1	1	0	0	R ₂	R ₁	R ₀
---	---	---	---	---	----------------	----------------	----------------

Data

<2> Number of bytes : 3

<3> Number of states : 11 (11)

<4> Function : $r \leftarrow r\text{-byte}$

Subtracts the immediate data in the 3rd byte from the contents of the register r (V, A, B, C, D, E, H, L) specified by R₂R₁R₀ (0 to 7), and stores the result in the specified register.

<5> Flags affected : Z, SK \leftarrow 0, HC, L1 \leftarrow 0, L0 \leftarrow 0, CY

SUI sr2, byte

(Subtract Immediate from Special Register)

<1> Operation code :

0	1	1	0	0	1	0	0
---	---	---	---	---	---	---	---

S ₃	1	1	0	0	S ₂	S ₁	S ₀
----------------	---	---	---	---	----------------	----------------	----------------

Data

<2> Number of bytes : 3

<3> Number of states : 20 (11)

<4> Function : $sr2 \leftarrow sr2\text{-byte}$

Subtracts the immediate data in the 3rd byte from the contents of the special register sr2 (PA, PB, PC, PD, PF, MKH, MKL, ANM, SMH, EOM, TMM) specified by S₃S₂S₁S₀ (0 to 3, 5 to 9, B, D), and stores the result in the specified special register.

<5> Flags affected : Z, SK \leftarrow 0, HC, L1 \leftarrow 0, L0 \leftarrow 0, CY

SBI A, byte

(Subtract Immediate from A with Borrow)

<1> Operation code :

0	1	1	1	0	1	1	0
Data							

<2> Number of bytes : 2

<3> Number of states : 7 (7)

<4> Function : $A \leftarrow A\text{-byte-CY}$

Subtracts the immediate data in the 2nd byte including the CY flag from the contents of the accumulator, and stores the result in the accumulator.

<5> Flags affected : Z, SK \leftarrow 0, HC, L1 \leftarrow 0, L0 \leftarrow 0, CY

<6> Example : SBI A, 30H; $A \leftarrow A\text{-30H-CY}$
This example subtracts 30H from A including the CY flag.

SBI r, byte

(Subtract Immediate from Register with Borrow)

<1> Operation code :

0	1	1	1	0	1	0	0
0	1	1	1	0	R ₂	R ₁	R ₀
Data							

<2> Number of bytes : 3

<3> Number of states : 11 (11)

<4> Function : $r \leftarrow r\text{-byte-CY}$

Subtracts the immediate data in the 3rd byte including the CY flag from the contents of the register r (V, A, B, C, D, E, H, L) specified by R₂R₁R₀ (0 to 7), and stores the result in the specified register.

<5> Flags affected : Z, SK \leftarrow 0, HC, L1 \leftarrow 0, L0 \leftarrow 0, CY

SBI sr2, byte

(Subtract Immediate from Special Register with Borrow)

<1> Operation code :

0	1	1	0	0	1	0	0
S ₃	1	1	1	0	S ₂	S ₁	S ₀
Data							

<2> Number of bytes : 3

<3> Number of states : 20 (11)

<4> Function : $sr2 \leftarrow sr2\text{-byte-CY}$

Subtracts the immediate data in the 3rd byte including the CY flag from the contents of the special register sr2 (PA, PB, PC, PD, PF, MKH, MKL, ANM, SMH, EOM, TMM) specified by S₃S₂S₁S₀ (0 to 3, 5 to 9, B, D), and stores the result in the specified special register.

<5> Flags affected : Z, SK \leftarrow 0, HC, L1 \leftarrow 0, L0 \leftarrow 0, CY

SUINB A, byte

(Subtract Immediate from A. Skip if No Borrow)

<1> Operation code :

0	0	1	1	0	1	1	0
---	---	---	---	---	---	---	---

Data

<2> Number of bytes : 2

<3> Number of states : 7 (7)

<4> Function : $A \leftarrow A - \text{byte}$; Skip if no borrow.

Subtracts the immediate data in the 2nd byte from the contents of the accumulator, and stores the result in the accumulator. Skips if no borrow is generated as a result of the subtraction.

<5> Flags affected : Z, SK, HC, L1 \leftarrow 0, L0 \leftarrow 0, CY

SUINB r, byte

(Subtract Immediate from Register. Skip if No Borrow)

<1> Operation code :

0	1	1	1	0	1	0	0
---	---	---	---	---	---	---	---

0	0	1	1	0	R ₂	R ₁	R ₀
---	---	---	---	---	----------------	----------------	----------------

Data

<2> Number of bytes : 3

<3> Number of states : 11 (11)

<4> Function : $r \leftarrow r - \text{byte}$; Skip if no borrow.

Subtracts the immediate data in the 3rd byte from the contents of the register r (V, A, B, C, D, E, H, L) specified by R₂R₁R₀ (0 to 7), and stores the result in the specified register. Skips if no borrow is generated as a result of the subtraction.

<5> Flags affected : Z, SK, HC, L1 \leftarrow 0, L0 \leftarrow 0, CY

<6> Example : To subtract immediate data from the HL register pair:
 SUINB L, IMM ; L \leftarrow L - IMM, SKIP IF NO BORROW.
 SUI H, 01H ; H \leftarrow H-1

SUINB sr2, byte

(Subtract Immediate from Special Register. Skip if No Borrow)

<1> Operation code :

0	1	1	0	0	1	0	0
---	---	---	---	---	---	---	---

S ₃	0	1	1	0	S ₂	S ₁	S ₀
----------------	---	---	---	---	----------------	----------------	----------------

Data

<2> Number of bytes : 3

<3> Number of states : 20 (11)

<4> Function : $sr2 \leftarrow sr2 - \text{byte}$; Skip if no borrow.

Subtracts the immediate data in the 3rd byte from the contents of the special register sr2 (PA, PB, PC, PD, PF, MKH, MKL, ANM, SMH, EOM, TMM) specified by S₃S₂S₁S₀ (0 to 3, 5 to 9, B, D), and stores the result in the specified special register. Skips if no borrow is generated as a result of the subtraction.

<5> Flags affected : Z, SK, HC, L1 \leftarrow 0, L0 \leftarrow 0, CY

<6> Example : GENSU EQU 10H
 SUINB PA, GENSU; PA \leftarrow PA-10H

This example subtracts GENSU defined by EQU from the contents of port A, and stores the result in port A.

ANI A, byte

(Add Immediate with A)

<1> Operation code :

0	0	0	0	0	1	1	1
---	---	---	---	---	---	---	---

Data

<2> Number of bytes : 2

<3> Number of states : 7 (7)

<4> Function : $A \leftarrow A \wedge \text{byte}$

Obtains the logical product of the contents of the accumulator and the contents of the immediate data in the 2nd byte, and stores the result in the accumulator.

<5> Flags affected : Z, SK \leftarrow 0, L1 \leftarrow 0, L0 \leftarrow 0

ANI r, byte

(And Immediate with Register)

<1> Operation code :

0	1	1	1	0	1	0	0
---	---	---	---	---	---	---	---

0	0	0	0	1	R ₂	R ₁	R ₀
---	---	---	---	---	----------------	----------------	----------------

Data

<2> Number of bytes : 3

<3> Number of states : 11 (11)

<4> Function : $r \leftarrow r \wedge \text{byte}$

Obtains the logical product of the contents of the register r (V, A, B, C, D, E, H, L) specified by R₂R₁R₀ (0 to 7) and the immediate data in the 3rd byte, and stores the result in the specified register.

<5> Flags affected : Z, SK \leftarrow 0, L1 \leftarrow 0, L0 \leftarrow 0

ANI sr2, byte

(And Immediate with Special Register)

<1> Operation code :

0	1	1	0	0	1	0	0
---	---	---	---	---	---	---	---

S ₃	0	0	0	1	S ₂	S ₁	S ₀
----------------	---	---	---	---	----------------	----------------	----------------

Data

<2> Number of bytes : 3

<3> Number of states : 20 (11)

<4> Function : $sr2 \leftarrow sr2 \wedge \text{byte}$

Obtains the logical product of the contents of the special register sr2 (PA, PB, PC, PD, PF, MKH, MKL, ANM, SMH, EOM, TMM) specified by S₃S₂S₁S₀ (0 to 3, 5 to 9, B, D) and the immediate data in the 3rd byte, and stores the result in the specified special register.

<5> Flags affected : Z, SK \leftarrow 0, L1 \leftarrow 0, L0 \leftarrow 0

<6> Example : To reset bit 2 (PB2) of port B:
ANI PB, 0FBH; PB \leftarrow PB \wedge 11111011

ORI A, byte

(Or Immediate with A)

<1> Operation code :

0	0	0	1	0	1	1	1
---	---	---	---	---	---	---	---

Data

<2> Number of bytes : 2

<3> Number of states : 7 (7)

<4> Function : $A \leftarrow A \vee \text{byte}$

Obtains the logical sum of the contents of the accumulator and the contents of the immediate data in the 2nd byte, and stores the result in the accumulator.

<5> Flags affected : Z, SK \leftarrow 0, L1 \leftarrow 0, L0 \leftarrow 0

ORI r, byte

(Or Immediate with Register)

<1> Operation code :

0	1	1	1	0	1	0	0
---	---	---	---	---	---	---	---

0	0	0	1	1	R ₂	R ₁	R ₀
---	---	---	---	---	----------------	----------------	----------------

Data

<2> Number of bytes : 3

<3> Number of states : 11 (11)

<4> Function : $r \leftarrow r \vee \text{byte}$

Obtains the logical sum of the contents of the register r (V, A, B, C, D, E, H, L) specified by R₂R₁R₀ (0 to 7) and the immediate data in the 3rd byte, and stores the result in the specified register.

<5> Flags affected : Z, SK \leftarrow 0, L1 \leftarrow 0, L0 \leftarrow 0

ORI sr2, byte

(Or Immediate with Special Register)

<1> Operation code :

0	1	1	0	0	1	0	0
---	---	---	---	---	---	---	---

S ₃	0	0	1	1	S ₂	S ₁	S ₀
----------------	---	---	---	---	----------------	----------------	----------------

Data

<2> Number of bytes : 3

<3> Number of states : 20 (11)

<4> Function : $sr2 \leftarrow sr2 \vee \text{byte}$

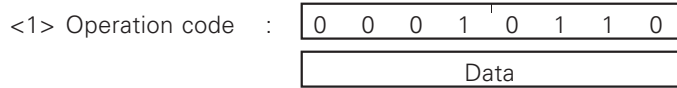
Obtains the logical sum of the contents of the special register sr2 (PA, PB, PC, PD, PF, MKH, MKL, ANM, SMH, EOM, TMM) specified by S₃S₂S₁S₀ (0 to 3, 5 to 9, B, D) and the immediate data in the 3rd byte, and stores the result in the specified special register.

<5> Flags affected : Z, SK \leftarrow 0, L1 \leftarrow 0, L0 \leftarrow 0

<6> Example : To set bit 1 (PC1) of port C:
ORI PC, 02H; PC \leftarrow PC \vee 00000010

XRI A, byte

(Exclusive-Or Immediate with A)



<2> Number of bytes : 2

<3> Number of states : 7 (7)

<4> Function : $A \leftarrow A \nabla \text{byte}$

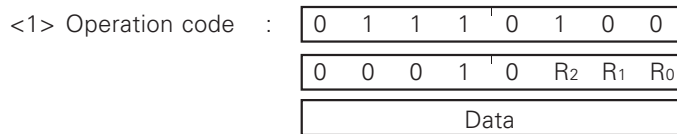
Obtains the exclusive logical sum of the contents of the accumulator and the contents of the immediate data in the 2nd byte, and stores the result in the accumulator.

<5> Flags affected : Z, SK \leftarrow 0, L1 \leftarrow 0, L0 \leftarrow 0

<6> Example : XRI A, 8BH; $A \leftarrow A \nabla 8BH$

XRI r, byte

(Exclusive-Or Immediate with Register)



<2> Number of bytes : 3

<3> Number of states : 11 (11)

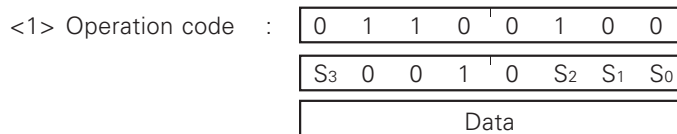
<4> Function : $r \leftarrow r \nabla \text{byte}$

Obtains the exclusive logical sum of the contents of the register r (V, A, B, C, D, E, H, L) specified by R₂R₁R₀ (0 to 7) and the immediate data in the 3rd byte, and stores the result in the specified register.

<5> Flags affected : Z, SK \leftarrow 0, L1 \leftarrow 0, L0 \leftarrow 0

XRI sr2, byte

(Exclusive-Or Immediate with Special Register)



<2> Number of bytes : 3

<3> Number of states : 20 (11)

<4> Function : $sr2 \leftarrow sr2 \nabla \text{byte}$

Obtains the exclusive logical sum of the contents of the special register sr2, (PA, PB, PC, PD, PF, MKH, MKL, ANM, SMH, EOM, TMM) specified by S₃S₂S₁S₀ (0 to 3, 5 to 9, B, D) and the immediate data in the 3rd byte, and stores the result in the specified special register.

<5> Flags affected : Z, SK \leftarrow 0, L1 \leftarrow 0, L0 \leftarrow 0

<6> Example : To invert bit 2 (PA2) of port A:
XRI PA, 04H; $PA \leftarrow PA \nabla 00000100$

GTI A, byte

(Greater Than Immediate)

<1> Operation code :

0	0	1	0	0	1	1	1
---	---	---	---	---	---	---	---

Data

<2> Number of bytes : 2

<3> Number of states : 7 (7)

<4> Function : A-byte-1; Skip if no borrow.

Subtracts the immediate data in the 2nd byte and 1 from the contents of the accumulator. Skips if no borrow is generated as a result of the subtraction (A>byte).

<5> Flags affected : Z, SK, HC, L1 ← 0, L0 ← 0, CY

GTI r, byte

(Greater Than Immediate)

<1> Operation code :

0	1	1	1	0	1	0	0
---	---	---	---	---	---	---	---

0	0	1	0	1	R ₂	R ₁	R ₀
---	---	---	---	---	----------------	----------------	----------------

Data

<2> Number of bytes : 3

<3> Number of states : 11 (11)

<4> Function : r-byte-1; Skip if no borrow.

Subtracts the immediate data in the 3rd byte and 1 from the contents of the register r (V, A, B, C, D, E, H, L) specified by R₂R₁R₀ (0 to 7). Skip if no borrow is generated as a result of the subtraction (r>byte).

<5> Flags affected : Z, SK, HC, L1 ← 0, L0 ← 0, CY

GTI sr2, byte

(Greater Than Immediate)

<1> Operation code :

0	1	1	0	0	1	0	0
---	---	---	---	---	---	---	---

S ₃	0	1	0	1	S ₂	S ₁	S ₀
----------------	---	---	---	---	----------------	----------------	----------------

Data

<2> Number of bytes : 3

<3> Number of states : 14 (11)

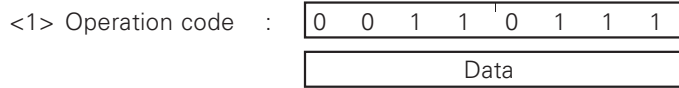
<4> Function : sr2-byte-1; Skip if no borrow.

Subtracts the immediate data in the 3rd byte and 1 from the contents of the special register sr2 (PA, PB, PC, PD, PF, MKH, MKL, ANM, SMH, EOM, TMM) specified by S₃S₂S₁S₀ (0 to 3, 5 to 9, B, D). Skips if no borrow is generated as a result of the subtraction (sr2>byte).

<5> Flags affected : Z, SK, HC, L1 ← 0, L0 ← 0, CY

LTI A, byte

(Less Than Immediate)



<2> Number of bytes : 2

<3> Number of states : 7 (7)

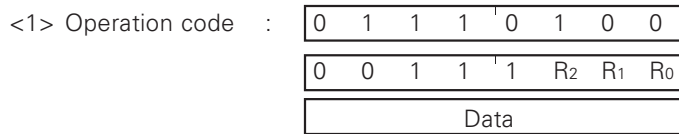
<4> Function : A-byte ; Skip if borrow.

Subtracts the immediate data in the 2nd byte from the contents of the accumulator. Skips if a borrow is generated as a result of the subtraction (A<byte).

<5> Flags affected : Z, SK, HC, L1 ← 0, L0 ← 0, CY

LTI r, byte

(Less Than Immediate)



<2> Number of bytes : 3

<3> Number of states : 11 (11)

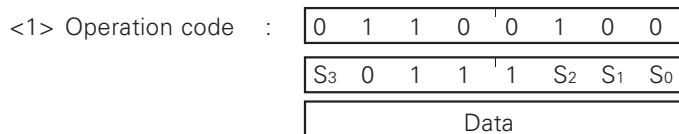
<4> Function : r-byte; Skip if borrow.

Subtracts the immediate data in the 3rd byte from the contents of the register r (V, A, B, C, D, E, H, L) specified by R₂R₁R₀ (0 to 7). Skips if a borrow is generated as a result of the subtraction (r<byte).

<5> Flags affected : Z, SK, HC, L1 ← 0, L0 ← 0, CY

LTI sr2, byte

(Less Than Immediate)



<2> Number of bytes : 3

<3> Number of states : 14 (11)

<4> Function : sr2-byte; Skip if borrow.

Subtracts the immediate data in the 3rd byte from the contents of the special register sr2 (PA, PB, PC, PD, PF, MKH, MKL, ANM, SMH, EOM, TMM) specified by S₃S₂S₁S₀ (0 to 3, 5 to 9, B, D). Skips if a borrow is generated as a result of the subtraction (sr2<byte).

<5> Flags affected : Z, SK, HC, L1 ← 0, L0 ← 0, CY

NEI A, byte

(Not Equal Immediate with A)

<1> Operation code :

0	1	1	0	0	1	1	1
---	---	---	---	---	---	---	---

Data

<2> Number of bytes : 2

<3> Number of states : 7 (7)

<4> Function : A-byte; Skip if no zero.

Subtracts the immediate data in the 2nd byte from the contents of the accumulator. Skips if the result of the subtraction is not zero (A≠byte).

<5> Flags affected : Z, SK, HC, L1 ← 0, L0 ← 0, CY

NEI r, byte

(Not Equal Immediate with Register)

<1> Operation code :

0	1	1	1	0	1	0	0
---	---	---	---	---	---	---	---

0	1	1	0	1	R ₂	R ₁	R ₀
---	---	---	---	---	----------------	----------------	----------------

Data

<2> Number of bytes : 3

<3> Number of states : 11 (11)

<4> Function : r-byte; Skip if no zero.

Subtracts the immediate data in the 3rd byte from the contents of the register r (V, A, B, C, D, E, H, L) specified by R₂R₁R₀ (0 to 7). Skips if the result of the subtraction is not zero (r≠byte).

<5> Flags affected : Z, SK, HC, L1 ← 0, L0 ← 0, CY

NEI sr2, byte

(Not Equal Immediate with Special Register)

<1> Operation code :

0	1	1	0	0	1	0	0
---	---	---	---	---	---	---	---

S ₃	1	1	0	1	S ₂	S ₁	S ₀
----------------	---	---	---	---	----------------	----------------	----------------

Data

<2> Number of bytes : 3

<3> Number of states : 14 (11)

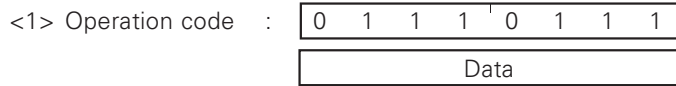
<4> Function : sr2-byte; Skip if no zero.

Subtracts the immediate data in the 3rd byte from the contents of the special register sr2 (PA, PB, PC, PD, PF, MKH, MKL, ANM, SMH, EOM, TMM) specified by S₃S₂S₁S₀ (0 to 3, 5 to 9, B, D). Skips if the result of the subtraction is not zero (sr2≠byte).

<5> Flags affected : Z, SK, HC, L1 ← 0, L0 ← 0, CY

EQI A, byte

(Equal Immediate with A)



<2> Number of bytes : 2

<3> Number of states : 7 (7)

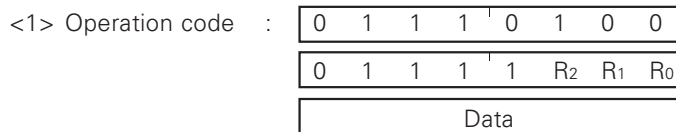
<4> Function : A-byte; Skip if zero.

Subtracts the immediate data in the 2nd byte from the contents of the accumulator. Skips if the result of the subtraction is zero (A=byte).

<5> Flags affected : Z, SK, HC, L1 ← 0, L0 ← 0, CY

EQI r, byte

(Equal Immediate with Register)



<2> Number of bytes : 3

<3> Number of states : 11 (11)

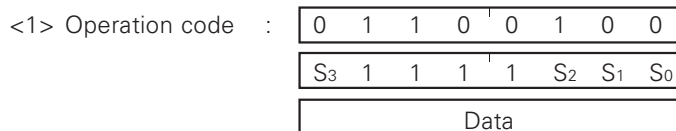
<4> Function : r-byte; Skip if zero.

Subtracts the immediate data in the 3rd byte from the contents of the register r (V, A, B, C, D, E, H, L) specified by R₂R₁R₀ (0 to 7). Skips if the result of the subtraction is zero (r=byte).

<5> Flags affected : Z, SK, HC, L1 ← 0, L0 ← 0, CY

EQI sr2, byte

(Equal Immediate with Special Register)



<2> Number of bytes : 3

<3> Number of states : 14 (11)

<4> Function : sr2-byte; Skip if no zero.

Subtracts the immediate data in the 3rd byte from the contents of the special register sr2 (PA, PB, PC, PD, PF, MKH, MKL, ANM, SMH, EOM, TMM) specified by S₃S₂S₁S₀ (0 to 3, 5 to 9, B, D). Skips if the result of the subtraction is zero (sr2=byte).

<5> Flags affected : Z, SK, HC, L1 ← 0, L0 ← 0, CY

ONI A, byte

(On-Test Immediate with A)

<1> Operation code :

0	1	0	0	0	1	1	1
---	---	---	---	---	---	---	---

Data

<2> Number of bytes : 2

<3> Number of states : 7 (7)

<4> Function : $A \wedge \text{byte}$; Skip if no zero.

Obtains the logical product of the contents of the accumulator and the contents of the immediate data in the 2nd byte, and skips if the result is not zero.

<5> Flags affected : Z, SK, L1 \leftarrow 0, L0 \leftarrow 0

ONI r, byte

(On-Test Immediate with Register)

<1> Operation code :

0	1	1	1	0	1	0	0
---	---	---	---	---	---	---	---

0	1	0	0	1	R ₂	R ₁	R ₀
---	---	---	---	---	----------------	----------------	----------------

Data

<2> Number of bytes : 3

<3> Number of states : 11 (11)

<4> Function : $r \wedge \text{byte}$; Skip if no zero.

Obtains the logical product of the contents of the register r (V, A, B, C, D, E, H, L) specified by R₂R₁R₀ (0 to 7) and the immediate data in the 3rd byte, and skips if the result is not zero.

<5> Flags affected : Z, SK, L1 \leftarrow 0, L0 \leftarrow 0

ONI sr2, byte

(On-Test Immediate with Special Register)

<1> Operation code :

0	1	1	0	0	1	0	0
---	---	---	---	---	---	---	---

S ₃	1	0	0	1	S ₂	S ₁	S ₀
----------------	---	---	---	---	----------------	----------------	----------------

Data

<2> Number of bytes : 3

<3> Number of states : 14 (11)

<4> Function : $sr2 \wedge \text{byte}$; Skip if no zero.

Obtains the logical product of the contents of the special register sr2 (PA, PB, PC, PD, PF, MKH, MKL, ANM, SMH, EOM, TMM) specified by S₃S₂S₁S₀ (0 to 3, 5 to 9, B, D) and the immediate data in the 3rd byte, and skips if the result is not zero.

<5> Flags affected : Z, SK, L1 \leftarrow 0, L0 \leftarrow 0

<6> Example : To test bit 0 (PC0) of port C, and jump to XX if "0" or skip and execute the next instruction if "1" (on).

ONI PC, 01H: PC \wedge 00000001

JMP XX

OFFI A, byte

(Off-Test Immediate with A)

<1> Operation code :

0	1	0	1	0	1	1	1
Data							

<2> Number of bytes : 2

<3> Number of states : 7 (7)

<4> Function : $A \wedge \text{byte}$; Skip if zero.

Obtains the logical product of the contents of the accumulator and the contents of the immediate data in the 2nd byte, and skips if the result is zero.

<5> Flags affected : Z, SK, L1 \leftarrow 0, L0 \leftarrow 0

OFFI r, byte

(Off-Test Immediate with Register)

<1> Operation code :

0	1	1	1	0	1	0	0
0	1	0	1	1	R ₂	R ₁	R ₀
Data							

<2> Number of bytes : 3

<3> Number of states : 11 (11)

<4> Function : $r \wedge \text{byte}$; Skip if zero.

Obtains the logical product of the contents of the register r (V, A, B, C, D, E, H, L) specified by R₂R₁R₀ (0 to 7) and the immediate data in the 3rd byte, and skips if the result is zero.

<5> Flags affected : Z, SK, L1 \leftarrow 0, L0 \leftarrow 0

OFFI sr2, byte

(Off-Test Immediate with Special Register)

<1> Operation code :

0	1	1	0	0	1	0	0
S ₃	1	0	1	1	S ₂	S ₁	S ₀
Data							

<2> Number of bytes : 3

<3> Number of states : 14 (11)

<4> Function : $sr2 \wedge \text{byte}$; Skip if zero.

Obtains the logical product of the contents of the special register sr2 (PA, PB, PC, PD, PF, MKH, MKL, ANM, SMH, EOM, TMM) specified by S₃S₂S₁S₀ (0 to 3, 5 to 9, B, D) and the immediate data in the 3rd byte, and skips if the result is zero.

<5> Flags affected : Z, SK, L1 \leftarrow 0, L0 \leftarrow 0

14.6.6 Working register operation instructions

ADDW wa**(Add Working Register to A)**

<1> Operation code :

0	1	1	1	0	1	0	0
1	1	0	0	0	0	0	0

Offset

<2> Number of bytes : 3

<3> Number of states : 14 (11)

<4> Function : $A \leftarrow A+(V.wa)$

Adds the contents of the working register addressed by the V register (high-order 8 bits) and the immediate data in the 3rd byte (low-order 8 bits) to the contents of the accumulator, and stores the result in the accumulator.

<5> Flags affected : Z, SK \leftarrow 0, HC, L1 \leftarrow 0, L0 \leftarrow 0, CY**ADCW wa****(Add Working Register to A with Carry)**

<1> Operation code :

0	1	1	1	0	1	0	0
1	1	0	1	0	0	0	0

Offset

<2> Number of bytes : 3

<3> Number of states : 14 (11)

<4> Function : $A \leftarrow A+(V.wa)+CY$

Adds the contents of the working register addressed by the V register (high-order 8 bits) and the immediate data in the 3rd byte (low-order 8 bits) to the contents of the accumulator including the CY flag, and stores the result in the accumulator.

<5> Flags affected : Z, SK \leftarrow 0, HC, L1 \leftarrow 0, L0 \leftarrow 0, CY**ADDNCW wa****(Add Working Register to A. Skip if No Carry)**

<1> Operation code :

0	1	1	1	0	1	0	0
1	0	1	0	0	0	0	0

Offset

<2> Number of bytes : 3

<3> Number of states : 14 (11)

<4> Function : $A \leftarrow A+(V.wa)$; Skip if no carry.

Adds the contents of the working register addressed by the V register (high-order 8 bits) and the immediate data in the 3rd byte (low-order 8 bits) to the contents of the accumulator, and stores the result in the accumulator. Skips if no carry is generated as a result of the addition.

<5> Flags affected : Z, SK, HC, L1 \leftarrow 0, L0 \leftarrow 0, CY

SUBW wa

(Subtract Working Register from A)

<1> Operation code :

0	1	1	1	0	1	0	0
1	1	1	0	0	0	0	0
Offset							

<2> Number of bytes : 3

<3> Number of states : 14 (11)

<4> Function : $A \leftarrow A - (V.wa)$

Subtracts the contents of the working register addressed by the V register (high-order 8 bits) and the immediate data in the 3rd byte (low-order 8 bits) from the contents of the accumulator, and stores the result in the accumulator.

<5> Flags affected : Z, SK \leftarrow 0, HC, L1 \leftarrow 0 L0 \leftarrow 0, CY

SBBW wa

(Subtract Working Register from A with Borrow)

<1> Operation code :

0	1	1	1	0	1	0	0
1	1	1	1	0	0	0	0
Offset							

<2> Number of bytes : 3

<3> Number of states : 14 (11)

<4> Function : $A \leftarrow A - (V.wa) - CY$

Subtracts the contents of the working register addressed by the V register (high-order 8 bits) and the immediate data in the 3rd byte (low-order 8 bits) including the CY flag from the contents of the accumulator, and stores the result in the accumulator.

<5> Flags affected : Z, SK \leftarrow 0, HC, L1 \leftarrow 0, L0 \leftarrow 0, CY

SUBNBW wa

(Subtract Working Register from A. Skip if No Borrow)

<1> Operation code	0 1 1 1 0 1 0 0
	1 0 1 1 0 0 0 0
	Offset

<2> Number of bytes : 3

<3> Number of states : 14 (11)

<4> Function : $A \leftarrow A - (V.wa)$; Skip if no borrow.

Subtracts the contents of the working register addressed by the V register (high-order 8 bits) and the immediate data in the 3rd byte (low-order 8 bits) from the contents of the accumulator, and stores the result in the accumulator. Skips if no borrow is generated as a result of the subtraction.

<5> Flags affected : Z, SK, HC, L1 \leftarrow 0, L0 \leftarrow 0, CY

<6> Example :
 WORK EQU 0E0H ; WORK=E0H
 LOCA EQU 0 ; LOCA=00H
 MVI V, WORK ; V \leftarrow E0H
 SUBNBW LOCA ; A \leftarrow A-(E000H)

When this instruction is executed, the upper 8-bit address of the area to be accessed must be loaded beforehand into the V register which specifies the 256-byte working register area. Next, the lower 8-bit address is selected by the value of the SUBNBW instruction operand, and then the processing is performed.

ANAW wa

(And Working Register with A)

<1> Operation code	0 1 1 1 0 1 0 0
	1 0 0 0 1 0 0 0
	Offset

<2> Number of bytes : 3

<3> Number of states : 14 (11)

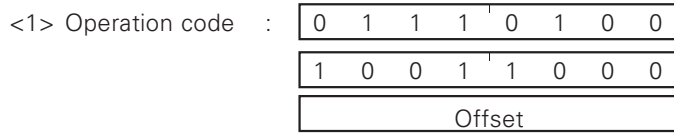
<4> Function : $A \leftarrow A \wedge (V.wa)$

Obtains the logical product of the contents of the accumulator and the contents of the working register addressed by the V register (high-order 8 bits) and the immediate data in the 3rd byte (low-order 8 bits), and stores the result in the accumulator.

<5> Flags affected : Z, SK \leftarrow 0, L1 \leftarrow 0, L \leftarrow 0

ORAW wa

(Or Working Register with A)



<2> Number of bytes : 3

<3> Number of states : 14 (11)

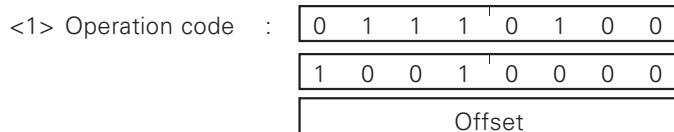
<4> Function : $A \leftarrow A \vee (V.wa)$

Obtains the logical sum of the contents of the accumulator and the contents of the working register addressed by the V register (high-order 8 bits) and the immediate data in the 3rd byte (low-order 8 bits), and stores the result in the accumulator.

<5> Flags affected : Z, SK \leftarrow 0, L1 \leftarrow 0, L0 \leftarrow 0

XRAW wa

(Exclusive-Or Working Register with A)



<2> Number of bytes : 3

<3> Number of states : 14 (11)

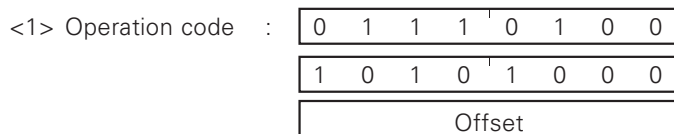
<4> Function : $A \leftarrow A \nabla (V.wa)$

Obtains the exclusive logical sum of the contents of the accumulator and the contents of the working register addressed by the V register (high-order 8 bits) and the immediate data in the 3rd byte (low-order 8 bits), and stores the result in the accumulator.

<5> Flags affected : Z, SK \leftarrow 0, L1 \leftarrow 0, L0 \leftarrow 0

GTAW wa

(Greater Than Working Register)



<2> Number of bytes : 3

<3> Number of states : 14 (11)

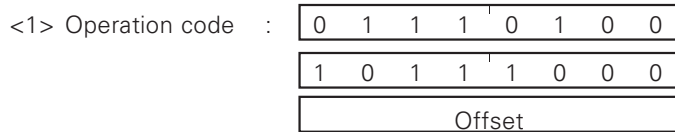
<4> Function : $A - (V.wa) - 1$; Skip if no borrow.

Subtracts the contents of the working register addressed by the V register (high-order 8 bits) and the immediate data in the 3rd byte (low-order 8 bits) and 1 from the contents of the accumulator. Skips if no borrow is generated as a result of the subtraction ($A > (V.wa)$).

<5> Flags affected : Z, SK, HC, L1 \leftarrow 0, L0 \leftarrow 0, CY

LTAW wa

(Less Than Working Register)



<2> Number of bytes : 3

<3> Number of states : 14 (11)

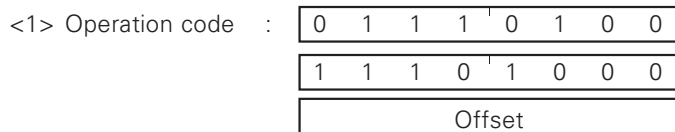
<4> Function : A-(V.wa); Skip if borrow.

Subtracts the contents of the working register addressed by the V register (high-order 8 bits) and the immediate data in the 3rd byte (low-order 8 bits) from the contents of the accumulator. Skips if a borrow is generated as a result of the subtraction (A<(V.wa)).

<5> Flags affected : Z, SK, HC, L1 ← 0, L0 ← 0, CY

NEAW wa

(Not Equal Working Register with A)



<2> Number of bytes : 3

<3> Number of states : 14 (11)

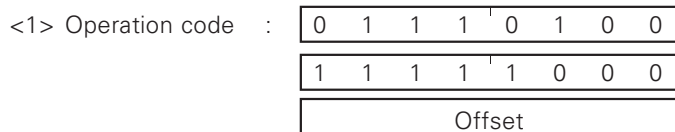
<4> Function : A-(V.wa); Skip if no zero.

Subtracts the contents of the working register addressed by the V register (high-order 8 bits) and the immediate data in the 3rd byte (low-order 8 bits) from the contents of the accumulator. Skips if the result of the subtraction is not zero (A≠(V.wa)).

<5> Flags affected : Z, SK, HC, L1 ← 0, L0 ← 0, CY

EQAW wa

(Equal Working Register with A)



<2> Number of bytes : 3

<3> Number of states : 14 (11)

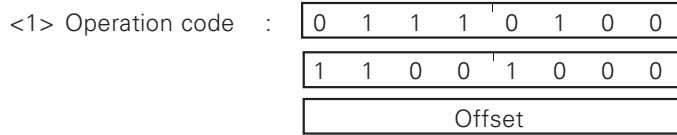
<4> Function : A-(V.wa); Skip if zero.

Subtracts the contents of the working register addressed by the V register (high-order 8 bits) and the immediate data in the 3rd byte (low-order 8 bits) from the contents of the accumulator. Skips if the result of the subtraction is zero (A=(V.wa)).

<5> Flags affected : Z, SK, HC, L1 ← 0, L0 ← 0, CY

ONAW wa

(On-Test Working Register with A)



<2> Number of bytes : 3

<3> Number of states : 14 (11)

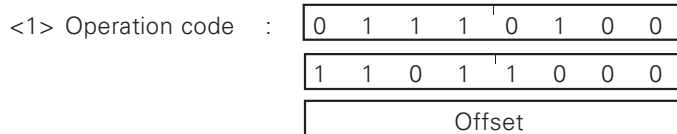
<4> Function : $A \wedge (V.wa)$; Skip if no zero.

Obtains the logical product of the contents of the accumulator and the contents of the working register addressed by the V register (high-order 8 bits) and the immediate data in the 3rd byte (low-order 8 bits), and skips if the result is not zero.

<5> Flags affected : Z, SK, L1 \leftarrow 0, L0 \leftarrow 0

OFFAW wa

(Off-Test Working Register with A)



<2> Number of bytes : 3

<3> Number of states : 14 (11)

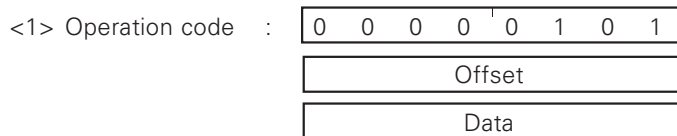
<4> Function : $A \wedge (V.wa)$; Skip if zero.

Obtains the logical product of the contents of the accumulator and the contents of the working register addressed by the V register (high-order 8 bits) and the immediate data in the 3rd byte (low-order 8 bits), and skips if the result is zero.

<5> Flags affected : Z, SK, L1 \leftarrow 0, L0 \leftarrow 0

ANIW wa, byte

(And Immediate with Working Register)



<2> Number of bytes : 3

<3> Number of states : 19 (10)

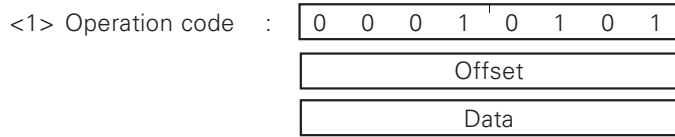
<4> Function : $(V.wa) \leftarrow (V.wa) \wedge \text{byte}$

Obtains the logical product of the contents of the working register addressed by the V register (high-order 8 bits) and the immediate data in the 2nd byte (low-order 8 bits), and the immediate data in the 3rd byte, and stores the result in the addressed working register.

<5> Flags affected : Z, SK \leftarrow 0, L1 \leftarrow 0, L0 \leftarrow 0

ORIW wa, byte

(Or Immediate with Working Register)



<2> Number of bytes : 3

<3> Number of states : 19 (10)

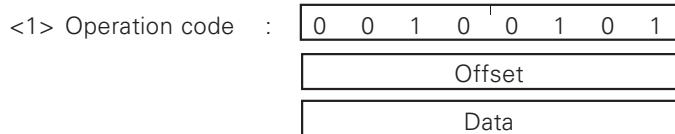
<4> Function : $(V.wa) \leftarrow (V.wa) \vee \text{byte}$

Obtains the logical sum of the contents of the working register addressed by the V register (high-order 8 bits) and the immediate data in the 2nd byte (low-order 8 bits), and the immediate data in the 3rd byte, and stores the result in the addressed working register.

<5> Flags affected : Z, SK \leftarrow 0, L1 \leftarrow 0, L0 \leftarrow 0

GTIW wa, byte

(Greater Than Immediate)



<2> Number of bytes : 3

<3> Number of states : 13 (10)

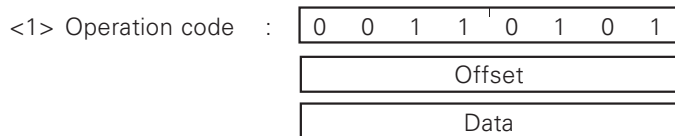
<4> Function : $(V.wa) - \text{byte} - 1$; Skip if no borrow.

Subtracts the immediate data in the 3rd byte and 1 from the contents of the working register addressed by the V register (high-order 8 bits) and the immediate data in the 2nd byte (low-order 8 bits). Skips if no borrow is generated as a result of the subtraction $((V.wa) > \text{byte})$.

<5> Flags affected : Z, SK, HC, L1 \leftarrow 0, L0 \leftarrow 0, CY

LTIW wa, byte

(Less Than Immediate)



<2> Number of bytes : 3

<3> Number of states : 13 (10)

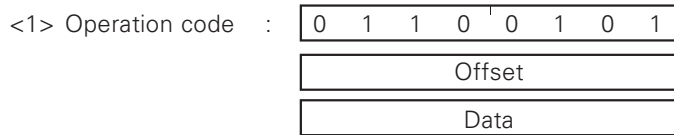
<4> Function : $(V.wa) - \text{byte}$; Skip if borrow.

Subtracts the immediate data in the 3rd byte from the contents of the working register addressed by the V register (high-order 8 bits) and the immediate data in the 2nd byte (low-order 8 bits). Skips if a borrow is generated as a result of the subtraction $((V.wa) < \text{byte})$.

<5> Flags affected : Z, SK, HC, L1 \leftarrow 0, L0 \leftarrow 0, CY

NEIW wa, byte

(Not Equal Immediate with Working Register)



<2> Number of bytes : 3

<3> Number of states : 13 (10)

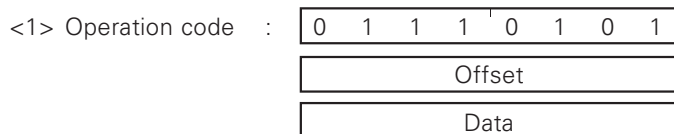
<4> Function : (V.wa)–byte; Skip if no zero.

Subtracts the immediate data in the 3rd byte from the contents of the working register addressed by the V register (high-order 8 bits) and the immediate data in the 2nd byte (low-order 8 bits), and skips if the result of the subtraction is not zero ((V.wa)≠byte).

<5> Flags affected : Z, SK, HC, L1 ← 0, L0 ← 0, CY

EQIW wa, byte

(Equal Immediate with Working Register)



<2> Number of bytes : 3

<3> Number of states : 13 (10)

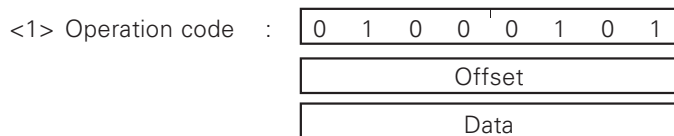
<4> Function : (V.wa)=byte; Skip if zero.

Subtracts the immediate data in the 3rd byte from the contents of the working register addressed by the V register (high-order 8 bits) and the immediate data in the 2nd byte (low-order 8 bits), and skips if the result of the subtraction is zero ((V.wa)=byte).

<5> Flags affected : Z, SK, HC, L1 ← 0, L0 ← 0, CY

ONIW wa, byte

(On-Test Immediate with Working Register)



<2> Number of bytes : 3

<3> Number of states : 13 (10)

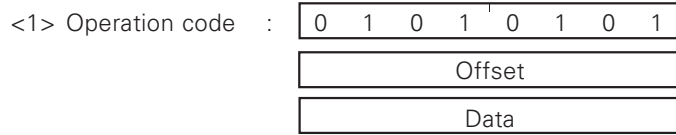
<4> Function : (V.wa) ^ byte; Skip if no zero.

Obtains the logical product of the contents of the working register addressed by the V register (high-order 8 bits) and the immediate data in the 2nd byte (low-order 8 bits), and the immediate data in the 3rd byte, and skips if the result is not zero.

<5> Flags affected : Z, SK, L1 ← 0, L0 ← 0

OFFIW wa, byte

(Off-Test Immediate with Working Register)



<2> Number of bytes : 3

<3> Number of states : 13 (10)

<4> Function : (V.wa) \wedge byte; Skip if zero.

Obtains the logical product of the contents of the working register addressed by the V register (high-order 8 bits) and the immediate data in the 2nd byte (low-order 8 bits), and the immediate data in the 3rd byte, and skips if the result is zero.

<5> Flags affected : Z, SK, L1 \leftarrow 0, L0 \leftarrow 0

14.6.7 16-bit operation instructions

EADD EA, r2**(Add Register to EA)**

<1> Operation code :

0	1	1	1	0	0	0	0
0	1	0	0	0	0	R ₁	R ₀

<2> Number of bytes : 2

<3> Number of states : 11 (8)

<4> Function : $EA \leftarrow EA+r2$

Adds the contents of the register r2 (A, B, C) specified by R₁R₀ (1 to 3) to the contents of the low-order 8 bits of the extended accumulator, and stores the result in the extended accumulator.

<5> Flags affected : Z, SK \leftarrow 0, HC, L1 \leftarrow 0, L0 \leftarrow 0, CY

DADD EA, rp3**(Add Register Pair to EA)**

<1> Operation code :

0	1	1	1	0	1	0	0
1	1	0	0	0	1	P ₁	P ₀

<2> Number of bytes : 2

<3> Number of states : 11 (8)

<4> Function : $EA \leftarrow EA+rp3$

Adds the contents of the register pair rp3 (BC, DE, HL) specified by P₁P₀ (1 to 3) to the contents of the extended accumulator, and stores the result in the extended accumulator.

<5> Flags affected : Z, SK \leftarrow 0, HC, L1 \leftarrow 0, L0 \leftarrow 0, CY

DADC EA, rp3**(Add Register Pair to EA with Carry)**

<1> Operation code :

0	1	1	1	0	1	0	0
1	1	0	1	0	1	P ₁	P ₀

<2> Number of bytes : 2

<3> Number of states : 11 (8)

<4> Function : $EA \leftarrow EA+rp3+CY$

Adds the contents of the register pair rp3 (BC, DE, HL) specified by P₁P₀ (1 to 3) to the contents of the extended accumulator including the CY flag, and stores the result in the extended accumulator.

<5> Flags affected : Z, SK \leftarrow 0, HC, L1 \leftarrow 0, L0 \leftarrow 0, CY

DADDNC EA, rp3

(Add Register Pair to EA. Skip if no Carry)

<1> Operation code :

0	1	1	1	0	1	0	0
1	0	1	0	0	1	P ₁	P ₀

<2> Number of bytes : 2

<3> Number of states : 11 (8)

<4> Function : EA ← EA+rp3; Skip if no carry.

Adds the contents of the register pair rp3 (BC, DE, HL) specified by P₁P₀ (1 to 3) to the contents of the extended accumulator, and stores the result in the extended accumulator. Skips if no carry is generated as a result of the addition.

<5> Flags affected : Z, SK, HC, L1 ← 0, L0 ← 0, CY

ESUB EA, r2

(Subtract Register from EA)

<1> Operation code :

0	1	1	1	0	0	0	0
0	1	1	0	0	0	R ₁	R ₀

<2> Number of bytes : 2

<3> Number of states : 11 (8)

<4> Function : EA ← EA-r2

Subtracts the contents of the register r2 (A, B, C) specified by R₁R₀ (1 to 3) from the contents of the extended accumulator, and stores the result in the extended accumulator.

<5> Flags affected : Z, SK ← 0, HC, L1 ← 0, L0 ← 0, CY

DSUB EA, rp3

(Subtract Register Pair from EA)

<1> Operation code :

0	1	1	1	0	1	0	0
1	1	1	0	0	1	P ₁	P ₀

<2> Number of bytes : 2

<3> Number of states : 11 (8)

<4> Function : EA ← EA-rp3

Subtracts the contents of the register pair rp3 (BC, DE, HL) specified by P₁P₀ (1 to 3) from the contents of the extended accumulator, and stores the result in the extended accumulator.

<5> Flags affected : Z, SK ← 0, HC, L1 ← 0, L0 ← 0, CY

DSBB EA, rp3

(Subtract Register Pair from EA with Borrow)

<1> Operation code :

0	1	1	1	0	1	0	0
1	1	1	1	0	1	P ₁	P ₀

<2> Number of bytes : 2

<3> Number of states : 11 (8)

<4> Function : $EA \leftarrow EA - rp3 - CY$

Subtracts the contents of the register pair rp3 (BC, DE, HL) specified by P₁P₀ (1 to 3) including the CY flag from the contents of the extended accumulator, and stores the result in the extended accumulator.

<5> Flags affected : Z, SK \leftarrow 0, HC, L1 \leftarrow 0, L0 \leftarrow 0, CY

DSUBNB EA, rp3

(Subtract Register Pair from EA. Skip if No Borrow)

<1> Operation code :

0	1	1	1	0	1	0	0
1	0	1	1	0	1	P ₁	P ₀

<2> Number of bytes : 2

<3> Number of states : 11 (8)

<4> Function : $EA \leftarrow EA - rp3$; Skip if no borrow.

Subtracts the contents of the register pair rp3 (BC, DE, HL) specified by P₁P₀ (1 to 3) from the contents of the extended accumulator, and stores the result in the extended accumulator. Skips if no borrow is generated as a result of the subtraction.

<5> Flags affected : Z, SK, HC, L1 \leftarrow 0, L0 \leftarrow 0, CY

DAN EA, rp3

(And Register Pair with EA)

<1> Operation code :

0	1	1	1	0	1	0	0
1	0	0	0	1	1	P ₁	P ₀

<2> Number of bytes : 2

<3> Number of states : 11 (8)

<4> Function : $EA \leftarrow EA \wedge rp3$

Obtains the logical product of the contents of the extended accumulator and the contents of the register pair rp3 (BC, DE, HL) specified by P₁P₀ (1 to 3), and stores the result in the extended accumulator.

<5> Flags affected : Z, SK \leftarrow 0, L1 \leftarrow 0, L0 \leftarrow 0

DOR EA, rp3

(Or Register Pair with EA)

<1> Operation code :

0	1	1	1	0	1	0	0
1	0	0	1	1	1	P ₁	P ₀

<2> Number of bytes : 2

<3> Number of states : 11 (8)

<4> Function : $EA \leftarrow EA \vee rp3$

Obtains the logical sum of the contents of the extended accumulator and the contents of the register pair rp3 (BC, DE, HL) specified by P₁P₀ (1 to 3), and stores the result in the extended accumulator.

<5> Flags affected : Z, SK \leftarrow 0, L1 \leftarrow 0, L0 \leftarrow 0

DXR EA, rp3

(Exclusive-Or Register Pair with EA)

<1> Operation code :

0	1	1	1	0	1	0	0
1	0	0	1	0	1	P ₁	P ₀

<2> Number of bytes : 2

<3> Number of states : 11 (8)

<4> Function : $EA \leftarrow EA \nabla rp3$

Obtains the exclusive logical sum of the contents of the extended accumulator and the contents of the register pair rp3 (BC, DE, HL) specified by P₁P₀ (1 to 3), and stores the result in the extended accumulator.

<5> Flags affected : Z, SK \leftarrow 0, L1 \leftarrow 0, L0 \leftarrow 0

DGT EA, rp3

(Greater Than Register Pair)

<1> Operation code :

0	1	1	1	0	1	0	0
1	0	1	0	1	1	P ₁	P ₀

<2> Number of bytes : 2

<3> Number of states : 11 (8)

<4> Function : $EA - rp3 - 1$; Skip if no borrow.

Subtracts the contents of the register pair rp3 (BC, DE, HL) specified by P₁P₀ (1 to 3) and 1 from the contents of the extended accumulator, and skips if no borrow is generated as a result of the subtraction ($EA > rp3$).

<5> Flags affected : Z, SK, HC, L1 \leftarrow 0, L0 \leftarrow 0, CY

<6> Example : DGT EA, B; $EA - BC - 1$

A skip is performed if EA is greater than BC.

DLT EA, rp3

(Less Than Register Pair)

<1> Operation code :

0	1	1	1	0	1	0	0
1	0	1	1	1	1	P ₁	P ₀

<2> Number of bytes : 2

<3> Number of states : 11 (8)

<4> Function : EA-rp3; Skip if borrow.

Subtracts the contents of the register pair rp3 (BC, DE, HL) specified by P₁P₀ (1 to 3) from the contents of the extended accumulator, and skips if a borrow is generated as a result of the subtraction (EA<rp3).

<5> Flags affected : Z, SK, HC, L1 ← 0, L0 ← 0, CY

<6> Example : DLT EA, B; EA-BC

A skip is performed if BC is greater than EA.

DNE EA, rp3

(Not Equal Register Pair with EA)

<1> Operation code :

0	1	1	1	0	1	0	0
1	1	1	0	1	1	P ₁	P ₀

<2> Number of bytes : 2

<3> Number of states : 11 (8)

<4> Function : EA-rp3; Skip if no zero.

Subtracts the contents of the register pair rp3 (BC, DE, HL) specified by P₁P₀ (1 to 3) from the contents of the extended accumulator, and skips if the result of the subtraction is not zero (EA≠rp3).

<5> Flags affected : Z, SK, HC, L1 ← 0, L0 ← 0, CY

<6> Example : DNE EA, B; EA-BC

A skip is performed if EA and BC are not equal.

DEQ EA, rp3

(Equal Register Pair with EA)

<1> Operation code :

0	1	1	1	0	1	0	0
1	1	1	1	1	1	P ₁	P ₀

<2> Number of bytes : 2

<3> Number of states : 11 (8)

<4> Function : EA-rp3; Skip if zero.

Subtracts the contents of the register pair rp3 (BC, DE, HL) specified by P₁P₀ (1 to 3) from the contents of the extended accumulator, and skips if the result of the subtraction is zero (EA=rp3).

<5> Flags affected : Z, SK, HC, L1 ← 0, L0 ← 0, CY

<6> Example : DEQ EA, B; EA-BC

A skip is performed if EA and BC are equal.

DON EA, rp3

(On-Test Register Pair with EA)

<1> Operation code :

0	1	1	1	0	1	0	0
1	1	0	0	1	1	P ₁	P ₀

<2> Number of bytes : 2

<3> Number of states : 11 (8)

<4> Function : EA \wedge rp3; Skip if no zero.

Obtains the logical product of the contents of the extended accumulator and the contents of the register pair rp3 (BC, DE, HL) specified by P₁P₀ (1 to 3), and skips if the result is not zero.

<5> Flags affected : Z, SK, L1 \leftarrow 0, L0 \leftarrow 0

DOFF EA, rp3

(Off-Test Register Pair with EA)

<1> Operation code :

0	1	1	1	0	1	0	0
1	1	0	1	1	1	P ₁	P ₀

<2> Number of bytes : 2

<3> Number of states : 11 (8)

<4> Function : EA \wedge rp3; Skip if zero.

Obtains the logical product of the contents of the extended accumulator and the contents of the register pair rp3 (BC, DE, HL) specified by P₁P₀ (1 to 3), and skips if the result is zero.

<5> Flags affected : Z, SK, L1 \leftarrow 0, L0 \leftarrow 0

14.6.8 Multiplication/division instructions

MUL r2**(Multiply A by Register)**

<1> Operation code :

0	1	0	0	1	0	0	0
---	---	---	---	---	---	---	---

0	0	1	0	1	1	R ₁	R ₀
---	---	---	---	---	---	----------------	----------------

<2> Number of bytes : 2

<3> Number of states : 32 (8)

<4> Function : $EA \leftarrow A \times r2$

Performs unsigned multiplication of the contents of the accumulator by the contents of the register r2 (A, B, C) specified by R₁R₀ (1 to 3), and stores the result in the extended accumulator.

<5> Flags affected : SK \leftarrow 0, L1 \leftarrow 0, L0 \leftarrow 0

DIV r2**(Divide EA by Register)**

<1> Operation code :

0	1	0	0	1	0	0	0
---	---	---	---	---	---	---	---

0	0	1	1	1	1	R ₁	R ₀
---	---	---	---	---	---	----------------	----------------

<2> Number of bytes : 2

<3> Number of states : 59 (8)

<4> Function : $EA \leftarrow EA \div r2$, $r2 \leftarrow$ remainder

Divides (unsigned division) the contents of the extended accumulator by the contents of the register r2 (A, B, C) specified by R₁R₀ (1 to 3), and stores the quotient in the extended accumulator and the remainder in register r2. If $r2 = 0$ (0 divisor), FFFFH is stored in EA and the contents of the low-order 8 bits of EA prior to execution of the instruction are stored in r2.

<5> Flags affected : SK \leftarrow 0, L1 \leftarrow 0, L0 \leftarrow 0

14.6.9 Increment/decrement instructions

INR r2**(Increment Register)**<1> Operation code :

0	1	0	0	0	0	R ₁	R ₀
---	---	---	---	---	---	----------------	----------------

<2> Number of bytes : 1

<3> Number of states : 4 (4)

<4> Function : $r2 \leftarrow r2+1$; Skip if carry.

Increments the contents of the register r2 (A, B, C) specified by R₁R₀ (1 to 3), and skips if a carry is generated as a result of the increment.

<5> Flags affected : Z, SK, HC, L1 \leftarrow 0, L0 \leftarrow 0<6> Example : INR A; $A \leftarrow A+1$ **INRW wa****(Increment Working Register)**<1> Operation code :

0	0	1	0	0	0	0	0
Offset							

<2> Number of bytes : 2

<3> Number of states : 16 (7)

<4> Function : $(V.wa) \leftarrow (V.wa)+1$; Skip if carry.

Increments the contents of the working register addressed by the V register (high-order 8 bits) and the immediate data in the 2nd byte (low-order 8 bits), and skips if a carry is generated as a result of the increment.

<5> Flags affected : Z, SK, HC, L1 \leftarrow 0, L0 \leftarrow 0

<6> Example : MVI V, 0FFH

INRW 0FFH ; $(FFFFH) \leftarrow (FFFFH)+1$

This example increments the contents of the working register in address FFFFH.

INX rp**(Increment Register Pair)**<1> Operation code :

0	0	P ₁	P ₀	0	0	1	0
---	---	----------------	----------------	---	---	---	---

<2> Number of bytes : 1

<3> Number of states : 7 (4)

<4> Function : $rp \leftarrow rp+1$

Increments SP or the contents of the register pair rp (BC, DE, HL) specified by P₁P₀ (0 to 3).

<5> Flags affected : SK \leftarrow 0, L1 \leftarrow 0, L0 \leftarrow 0<6> Example : INX D; $DE \leftarrow DE+1$

In this example the 16-bit register with D as the high-order 8 bits and E as the low-order 8 bits is incremented.

INX EA

(Increment EA)

- <1> Operation code :

1	0	1	0	1	0	0	0
---	---	---	---	---	---	---	---
- <2> Number of bytes : 1
- <3> Number of states : 7 (4)
- <4> Function : $EA \leftarrow EA+1$
Increments the extended accumulator.
- <5> Flags affected : $SK \leftarrow 0, L1 \leftarrow 0, L0 \leftarrow 0$

DCR r2

(Decrement Register)

- <1> Operation code :

0	1	0	1	0	0	R ₁	R ₀
---	---	---	---	---	---	----------------	----------------
- <2> Number of bytes : 1
- <3> Number of states : 4 (4)
- <4> Function : $r2 \leftarrow r2-1$; Skip if borrow.
Decrements the contents of the register r2 (A, B, C) specified by R₁R₀ (1 to 3), and skips if a borrow is generated as a result of the decrement.
- <5> Flags affected : Z, SK, HC, $L1 \leftarrow 0, L0 \leftarrow 0$
- <6> Example : DCR B; $B \leftarrow B-1$

DCRW wa

(Decrement Working Register)

- <1> Operation code :

0	0	1	1	0	0	0	0
---	---	---	---	---	---	---	---

Offset

- <2> Number of bytes : 2
- <3> Number of states : 16 (7)
- <4> Function : $(V.wa) \leftarrow (V.wa)-1$; Skip if borrow.
Decrements the contents of the working register addressed by the V register (high-order 8 bits) and the immediate data in the 2nd byte (low-order 8 bits), and skips if a borrow is generated as a result of the decrement.
- <5> Flags affected : Z, SK, HC, $L1 \leftarrow 0, L0 \leftarrow 0$
- <6> Example : MVI V, 50H
DCRW 0 ; $(5000H) \leftarrow (5000H)-1$
This example decrements the contents of the working register in address 5000H.

DCX rp

(Decrement Register Pair)

<1> Operation code :

0	0	P ₁	P ₀	0	0	1	1
---	---	----------------	----------------	---	---	---	---

<2> Number of bytes : 1

<3> Number of states : 7 (4)

<4> Function : $rp \leftarrow rp - 1$

Decrements SP or the contents of the register pair rp (BC, DE, HL) specified by P₁P₀ (0 to 3).

<5> Flags affected : SK \leftarrow 0, L1 \leftarrow 0, L0 \leftarrow 0

<6> Example : DCX H; HL \leftarrow HL-1

DCX EA

(Decrement EA)

<1> Operation code :

1	0	1	0	1	0	0	1
---	---	---	---	---	---	---	---

<2> Number of bytes : 1

<3> Number of states : 7 (4)

<4> Function : $EA \leftarrow EA - 1$

Decrements the extended accumulator.

<5> Flags affected : SK \leftarrow 0, L1 \leftarrow 0, L0 \leftarrow 0

14.6.10 Other operation instructions

DAA

(Decimal Adjust A)

<1> Operation code :

0	1	1	0	0	0	0	1
---	---	---	---	---	---	---	---

<2> Number of bytes : 1

<3> Number of states : 4 (4)

<4> Function :

Determines the contents of the accumulator, CY flag and HC flag, and performs decimal adjustment as shown below. This instruction is only meaningful after execution of an operation between decimal (BCD) data items.

Condition		Operation
A ₃₋₀ ≤ 9 HC = 0	A ₇₋₄ ≤ 9 and CY = 0	A ← A
	A ₇₋₄ ≥ 10 or CY = 1	A ← A + 01100000
A ₃₋₀ ≥ 10 HC = 0	A ₇₋₄ < 9 and CY = 0	A ← A + 00000110
	A ₇₋₄ ≥ 9 or CY = 1	A ← A + 01100110
HC=1	A ₇₋₄ ≤ 9 and CY = 0	A ← A + 00000110
	A ₇₋₄ ≥ 10 or CY = 1	A ← A + 01100110

<5> Flags affected : Z, SK ← 0, HC, L1 ← 0, L0 ← 0, CY

<6> Example : MVI A, 88H
 ADI A, 79H ; A=01H, CY=1, HC=1
 DAA ; A ← A+66H, A=67H, CY=1
 ; 88+79=167

ADI	{	+)10001000 88H
)01111001 79H
)00000001 01H
)01100110 66H
)01100111 67H

Carry HC

<7> Caution : This instruction cannot be used for adjustment after execution of a subtract instruction. When decimal (BCD) data subtraction is performed, a complement instruction should be used.

STC

(Set Carry)

<1> Operation code :

0	1	0	0	1	0	0	0
0	0	1	0	1	0	1	1

<2> Number of bytes : 2

<3> Number of states : 8 (8)

<4> Function : $CY \leftarrow 1$

Sets (1) the CY flag.

<5> Flags affected : $SK \leftarrow 0, L1 \leftarrow 0, L0 \leftarrow 0, CY \leftarrow 1$

CLC

(Clear Carry)

<1> Operation code :

0	1	0	0	1	0	0	0
0	0	1	0	1	0	1	0

<2> Number of bytes : 2

<3> Number of states : 8 (8)

<4> Function : $CY \leftarrow 0$

Sets (0) the CY flag.

<5> Flags affected : $SK \leftarrow 0, L1 \leftarrow 0, L0 \leftarrow 0, CY \leftarrow 0$

NEGA

(Negate A)

<1> Operation code :

0	1	0	0	1	0	0	0
0	0	1	1	1	0	1	0

<2> Number of bytes : 2

<3> Number of states : 8 (8)

<4> Function : $A \leftarrow \bar{A} + 1$

Obtains the two's complement of the accumulator contents.

<5> Flags affected : $SK \leftarrow 0, L1 \leftarrow 0, L0 \leftarrow 0$

14.6.11 Rotation/shift instructions

RLD

(Rotate Left Digit)

<1> Operation code :

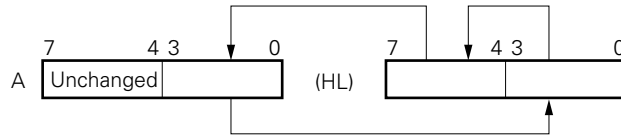
0	1	0	0	1	0	0	0
---	---	---	---	---	---	---	---

0	0	1	1	1	0	0	0
---	---	---	---	---	---	---	---

<2> Number of bytes : 2

<3> Number of states : 17 (8)

<4> Function : $A_{3-0} \leftarrow (HL)_{7-4}, (HL)_{7-4} \leftarrow (HL)_{3-0}, (HL)_{3-0} \leftarrow A_{3-0}$



Performs left rotation as 4-bit (digit) units of the low-order 4 bits of the accumulator and the high-order 4 bits and low-order 4 bits of the memory addressed by the HL register pair. Bits 7 to 4 of the accumulator are not affected.

<5> Flags affected : SK \leftarrow 0, L1 \leftarrow 0, L0 \leftarrow 0

<6> Example :

	A	(HL)
	7 4 3 0	7 4 3 0
Before execution	0 0 0 0 0 0 0 1	0 1 0 1 0 0 1 1
After execution	0 0 0 0 0 1 0 1	0 0 1 1 0 0 0 1

RRD

(Rotate Right Digit)

<1> Operation code :

0	1	0	0	1	0	0	0
0	0	1	1	1	0	0	1

<2> Number of bytes : 2

<3> Number of states : 17 (8)

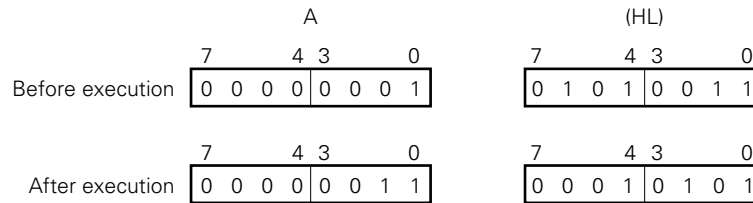
<4> Function : $(HL)_{7-4} \leftarrow A_{3-0}$, $(HL)_{3-0} \leftarrow (HL)_{7-4}$, $A_{3-0} \leftarrow (HL)_{3-0}$



Performs right rotation as 4-bit (digit) units of the low-order 4 bits of the accumulator and the high-order 4 bits and low-order 4 bits of the memory addressed by the HL register pair. Bits 7 to 4 of the accumulator are not affected.

<5> Flags affected : SK \leftarrow 0, L1 \leftarrow 0, L0 \leftarrow 0

<6> Example :



RLL r2

(Rotate Logical Left Register)

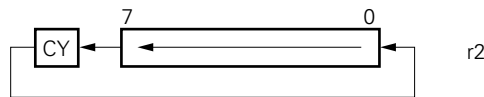
<1> Operation code :

0	1	0	0	1	0	0	0
0	0	1	1	0	1	R ₁	R ₀

<2> Number of bytes : 2

<3> Number of states : 8 (8)

<4> Function : $r_{2m+1} \leftarrow r_{2m}$, $r_{20} \leftarrow CY$, $CY \leftarrow r_{27}$



Performs 1-bit left rotation including the CY flag of the contents of the register r2 (A, B, C) specified by R₁R₀ (1 to 3).

<5> Flags affected : SK \leftarrow 0, L1 \leftarrow 0, L0 \leftarrow 0, CY

RLR r2

(Rotate Logical Right Register)

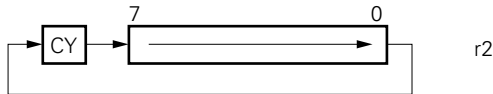
<1> Operation code :

0	1	0	0	1	0	0	0
0	0	1	1	0	0	R ₁	R ₀

<2> Number of bytes : 2

<3> Number of states : 8 (8)

<4> Function : $r2_{m-1} \leftarrow r2_m, r2_7 \leftarrow CY, CY \leftarrow r2_0$



Performs 1-bit right rotation including the CY flag of the contents of the register r2 (A, B, C) specified by R₁R₀ (1 to 3).

<5> Flags affected : SK \leftarrow 0, L1 \leftarrow 0, L0 \leftarrow 0, CY

SLL r2

(Shift Logical Left Register)

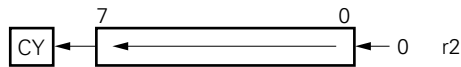
<1> Operation code :

0	1	0	0	1	0	0	0
0	0	1	0	0	1	R ₁	R ₀

<2> Number of bytes : 2

<3> Number of states : 8 (8)

<4> Function : $r2_{m+1} \leftarrow r2_m, r2_0 \leftarrow 0, CY \leftarrow r2_7$



Performs a 1-bit left shift of the contents of the register r2 (A, B, C) specified by R₁R₀ (1 to 3). r₂₇ is shifted into the CY flag, and 0 is loaded into r₂₀.

<5> Flags affected : SK \leftarrow 0, L1 \leftarrow 0, L0 \leftarrow 0, CY

SLR r2

(Shift Logical Right Register)

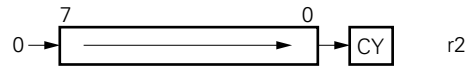
<1> Operation code :

0	1	0	0	1	0	0	0
0	0	1	0	0	0	R ₁	R ₀

<2> Number of bytes : 2

<3> Number of states : 8 (8)

<4> Function : $r_{2m-1} \leftarrow r_{2m}$, $r_{27} \leftarrow 0$, $CY \leftarrow r_{20}$



Performs a 1-bit right shift of the contents of the register r2 (A, B, C) specified by R₁R₀ (1 to 3). r₂₀ is shifted into the CY flag, and 0 is loaded into r₂₇.

<5> Flags affected : SK \leftarrow 0, L1 \leftarrow 0, L0 \leftarrow 0, CY

SLLC r2

(Shift Logical Left Register. Skip if Carry)

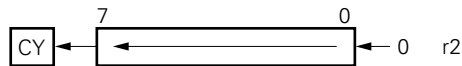
<1> Operation code :

0	1	0	0	1	0	0	0
0	0	0	0	0	1	R ₁	R ₀

<2> Number of bytes : 2

<3> Number of states : 8 (8)

<4> Function : $r_{2m+1} \leftarrow r_{2m}$, $r_{20} \leftarrow 0$, $CY \leftarrow r_{27}$; Skip if carry.



Performs a 1-bit left shift of the contents of the register r2 (A, B, C) specified by R₁R₀ (1 to 3). r₂₇ is shifted into the CY flag, and 0 is loaded into r₂₀. Skips if a carry is generated as a result of the shift.

<5> Flags affected : SK, L1 \leftarrow 0, L0 \leftarrow 0, CY

SLRC r2

(Shift Logical Right Register. Skip if Carry)

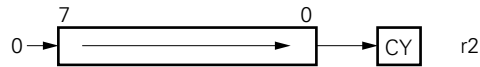
<1> Operation code :

0	1	0	0	1	0	0	0
0	0	0	0	0	0	R ₁	R ₀

<2> Number of bytes : 2

<3> Number of states : 8 (8)

<4> Function : $r_{2m-1} \leftarrow r_{2m}$, $r_{27} \leftarrow 0$, $CY \leftarrow r_{20}$



Performs a 1-bit right shift of the contents of the register r2 (A, B, C) specified by R₁R₀ (1 to 3). r₂₀ is shifted into the CY flag, and 0 is loaded into r₂₇. Skips if a carry is generated as a result of the shift.

<5> Flags affected : SK, L1 \leftarrow 0, L0 \leftarrow 0, CY

DRLL EA

(Rotate Logical Left EA)

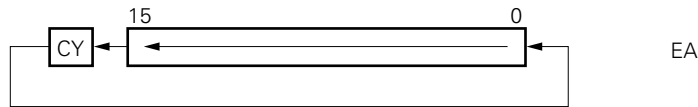
<1> Operation code :

0	1	0	0	1	0	0	0
1	0	1	1	0	1	0	0

<2> Number of bytes : 2

<3> Number of states : 8 (8)

<4> Function : $EA_{n+1} \leftarrow EA_n$, $EA_0 \leftarrow CY$, $CY \leftarrow EA_{15}$



Performs 1-bit left rotation including the CY flag of the contents of the extended accumulator.

<5> Flags affected : SK \leftarrow 0, L1 \leftarrow 0, L0 \leftarrow 0, CY

DRLR EA

(Rotate Logical Right EA)

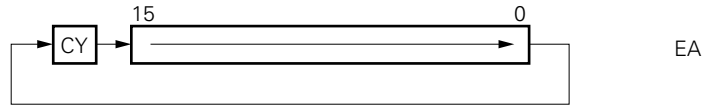
<1> Operation code :

0	1	0	0	1	0	0	0
1	0	1	1	0	0	0	0

<2> Number of bytes : 2

<3> Number of states : 8 (8)

<4> Function : $EA_{n-1} \leftarrow EA_n, EA_{15} \leftarrow CY, CY \leftarrow EA_0$



Performs 1-bit right rotation including the CY flag of the contents of the extended accumulator.

<5> Flags affected : $SK \leftarrow 0, L1 \leftarrow 0, L0 \leftarrow 0, CY$

DSLL EA

(Shift Logical Left EA)

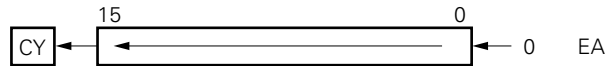
<1> Operation code :

0	1	0	0	1	0	0	0
1	0	1	0	0	1	0	0

<2> Number of bytes : 2

<3> Number of states : 8 (8)

<4> Function : $EA_{n+1} \leftarrow EA_n, EA_0 \leftarrow 0, CY \leftarrow EA_{15}$



Performs a 1-bit left shift of the contents of the extended accumulator. EA_{15} is shifted into the CY flag, and 0 is loaded into EA_0 .

<5> Flags affected : $SK \leftarrow 0, L1 \leftarrow 0, L0 \leftarrow 0, CY$

DSLR EA

(Shift Logical Right EA)

<1> Operation code :

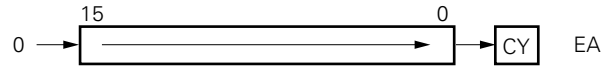
0	1	0	0	1	0	0	0
---	---	---	---	---	---	---	---

1	0	1	0	0	0	0	0
---	---	---	---	---	---	---	---

<2> Number of bytes : 2

<3> Number of states : 8 (8)

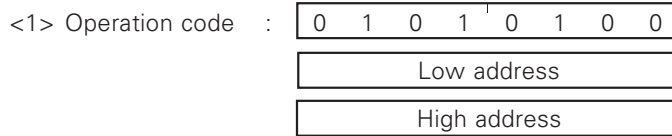
<4> Function : $EA_{n-1} \leftarrow EA_n$, $EA_{15} \leftarrow 0$, $CY \leftarrow EA_0$



Performs a 1-bit right shift of the contents of the extended accumulator. EA_0 is shifted into the CY flag, and 0 is loaded into EA_{15} .

<5> Flags affected : $SK \leftarrow 0$, $L1 \leftarrow 0$, $L0 \leftarrow 0$, CY

14.6.12 Jump instructions

JMP word**(Jump direct)**

<2> Number of bytes : 3

<3> Number of states : 10 (10)

<4> Function : $PC \leftarrow \text{word}$

Loads the immediate data in the 2nd byte into the low-order 8 bits (PC_{7-0}) of the program counter, loads the immediate data in the 3rd byte into the high-order 8 bits (PC_{15-8}), and jumps to the address indicated by the immediate data.

<5> Flags affected : $SK \leftarrow 0, L1 \leftarrow 0, L0 \leftarrow 0$

<6> Example : `MVI C, 7FH ; C=127`
`LXI H, 4000H ; HL=4000H`
`LXI D, 5000H ; DE=5000H`
`BLOCK ; (DE)+ ← (HL)+, C ← C-1`
`JMP OWARI ; PC ← OWARI`
; JUMP TO OWARI

When the 128-byte block transfer is completed, the program jumps to the address indicated by the label OWARI.

JB**(Jump BC indirect)**

<1> Operation code :

0	0	1	0	0	0	0	1
---	---	---	---	---	---	---	---

<2> Number of bytes : 1

<3> Number of states : 4 (4)

<4> Function : $PC_{15-8} \leftarrow B, PC_{7-0} \leftarrow C$

Loads the contents of the B register into the high-order 8 bits (PC_{15-8}) of the program counter, loads the contents of the C register into the low-order 8 bits (PC_{7-0}), and jumps to the address indicated by the BC register pair.

An effective method is, for example, to jump using the JB instruction after loading address information into BC by means of the TABLE instruction.

<5> Flags affected : $SK \leftarrow 0, L1 \leftarrow 0, L0 \leftarrow 0$

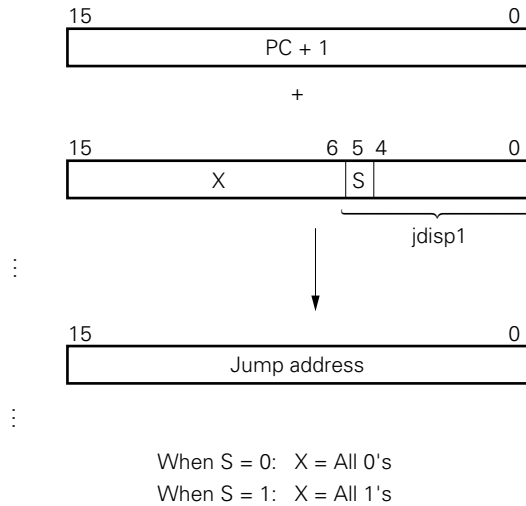
JR word

(Jump Relative)

- <1> Operation code :

1	1	jdisp1
---	---	--------
- <2> Number of bytes : 1
- <3> Number of states : 10 (4)
- <4> Function : $PC \leftarrow PC+1+jdisp1$

Jumps to the address obtained by adding the 6-bit displacement value jdisp1 to the start address of the next instruction. jdisp1 is handled as signed two's complement data (-32 to +31), with bit 5 as the sign bit.



A jump destination address or label which takes account of the jump range should be directly written as the operand of the JR instruction. Thus, when a JR instruction is executed at address 1000, for example, the possible jump range is from address 969 to address 1032.

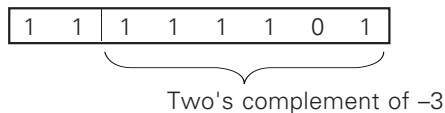
- <5> Flags affected : SK ← 0, L1 ← 0, L0 ← 0
- <6> Example :


```

      CLWR : LXI  D, 2000H ; DE=2000H
            MVI  C, 7     ; C=7, LOOP COUNTER
      :      XRA  A, A     ; CLEAR A
      98 LOOP : STAX D+    ; (DE) ← 0, DE ← DE+1
      99      DCR  C      ; C ← C-1, SKIP IF BORROW
      100     JR   LOOP   ; JUMP TO LOOP
      :      RET                ;
      
```

The loop is executed repeatedly by means of the JR instruction until the 8 addresses starting at memory address 2000H (i.e. addresses up to the including address 2007H) have been cleared.

Since the displacement value is this case is -3, the actual operation code is as follows:



JRE word

(Jump Relative Extended)

<1> Operation code :

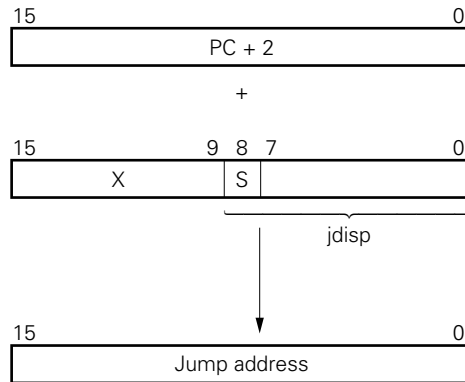
0	1	0	0	1	1	1	j _H
---	---	---	---	---	---	---	----------------

jdisp _L

<2> Number of bytes : 2

<3> Number of states : 10 (7)

<4> Function : $PC \leftarrow PC+2+jdisp$



When S = 0: X = All 0's

When S = 1: X = All 1's

Jumps to the address obtained by adding the 9-bit displacement value *jdisp* to the start address of the next instruction. *jdisp* is handled as signed two's complement data (−256 to +255), with bit 8 (bit 0 of the 1st byte) as the sign bit.

A jump destination address or label which takes account of the jump range should be directly written as the operand of the JRE instruction. Thus, when a JRE instruction is executed at address 1000, for example, the possible jump range is from address 746 to address 1257.

<5> Flags affected : SK ← 0, L1 ← 0, L0 ← 0

JEA

(Jump EA indirect)

<1> Operation code :

0	1	0	0	1	0	0	0
---	---	---	---	---	---	---	---

0	0	1	0	1	0	0	0
---	---	---	---	---	---	---	---

<2> Number of bytes : 2

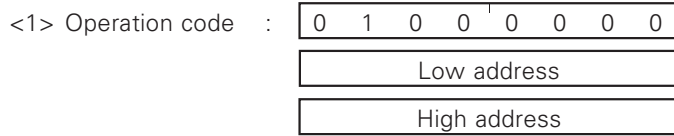
<3> Number of states : 8 (8)

<4> Function : $PC \leftarrow EA$

Loads the contents of the high-order 8 bits (EAH) of the extended accumulator into the high-order 8 bits (PC₁₅₋₈) of the program counter, loads the low-order 8 bits (EAL) of the extended accumulator into the low-order 8 bits (PC₇₋₀), and jumps to the address indicated by the extended accumulator.

<5> Flags affected : SK ← 0, L1 ← 0, L0 ← 0

14.6.13 Call instructions

CALL word**(Call subroutine direct)**

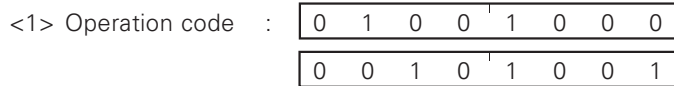
<2> Number of bytes : 3

<3> Number of states : 16 (10)

<4> Function : $(SP-1) \leftarrow PC+3_{15-8}$, $(SP-2) \leftarrow PC+3_{7-0}$,
 $SP \leftarrow SP-2$, $PC \leftarrow \text{word}$

Stores the high-order 8 bits of the start address of the next instruction in the stack memory indicated by SP-1 and stores the low-order 8 bits in the stack memory indicated by SP-2, then loads the immediate data in the 2nd byte into the low-order 8 bits (PC₇₋₀) of the program counter and loads the immediate data in the 3rd byte into the high-order 8 bits (PC₁₅₋₈), and jumps to the address indicated by the immediate data.

<5> Flags affected : SK ← 0, L1 ← 0, L0 ← 0

CALB**(Call subroutine BC indirect)**

<2> Number of bytes : 2

<3> Number of states : 17 (8)

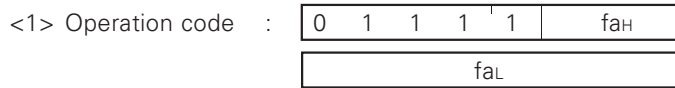
<4> Function : $(SP-1) \leftarrow PC+2_{15-8}$, $(SP-2) \leftarrow PC+2_{7-0}$,
 $SP \leftarrow PC-2$, $PC_{15-8} \leftarrow B$, $PC_{7-0} \leftarrow C$

Stores the high-order 8 bits of the start address of the next instruction in the stack memory indicated by SP-1 and stores the low-order 8 bits in the stack memory indicated by SP-2, then loads the B register into the high-order 8 bits (PC₁₅₋₈) of the program counter and loads the contents of the C register into the low-order 8 bits (PC₇₋₀), and jumps to the address indicated by the BC register.

<5> Flags affected : SK ← 0, L1 ← 0, L0 ← 0

CALF word

(Call Subroutine in Fixed Area)



<2> Number of bytes : 2

<3> Number of states : 13 (7)

<4> Function : $(SP-1) \leftarrow PC+2_{15-8}, (SP-2) \leftarrow PC+2_{7-0},$
 $SP \leftarrow SP-2, PC_{15-11} \leftarrow 00001, PC_{10-0} \leftarrow fa$

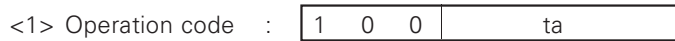
Stores the high-order 8 bits of the start address of the next instruction in the stack memory indicated by SP-1 and stores the low-order 8 bits in the stack memory indicated by SP-2, then loads 00001 into the high-order 5 bits (PC₁₅₋₁₁) of the program counter and loads the 11-bit immediate data fa into the low-order 11 bits (PC₁₀₋₀), and jumps to the address indicated by the immediate data.

A label or number from 800H to FFFH (2K-byte range) should be directly as the operand of the CALF instruction.

<5> Flags affected : SK \leftarrow 0, L1 \leftarrow 0, L0 \leftarrow 0

CALT word

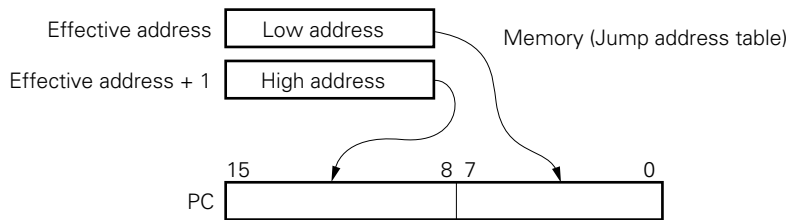
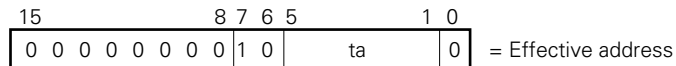
(Call Table Address)



<2> Number of bytes : 1

<3> Number of states : 16 (4)

<4> Function : $(SP-1) \leftarrow PC+1_{15-8}, (SP-2) \leftarrow PC+1_{7-0},$
 $SP \leftarrow SP-2, PC_{7-0} \leftarrow (128+2ta), PC_{15-8} \leftarrow (129+2ta)$



Stores the high-order 8 bits of the start address of the next instruction in the stack memory indicated by SP-1 and stores the low-order 8 bits in the stack memory indicated by SP-2, then loads the contents of the memory addressed by the effective address comprising the 5-bit immediate data ta into the low-order 8 bits (PC₇₋₀) of the program counter and loads the contents of the memory addressed by the effective address + 1 into the high-order 8 bits (PC₁₅₋₈), and jumps to the address indicated by the memory contents. The jump address table must be located in memory address 128 to 191.

The table address should be directly written as a label or a number of up to 16 bits in the operand field of the CALT instruction.

<5> Flags affected : SK \leftarrow 0, L1 \leftarrow 0, L0 \leftarrow 0

SOFTI

(Software Interrupt)

<1> Operation code :

0	1	1	1	0	0	1	0
---	---	---	---	---	---	---	---

<2> Number of bytes : 1

<3> Number of states : 16

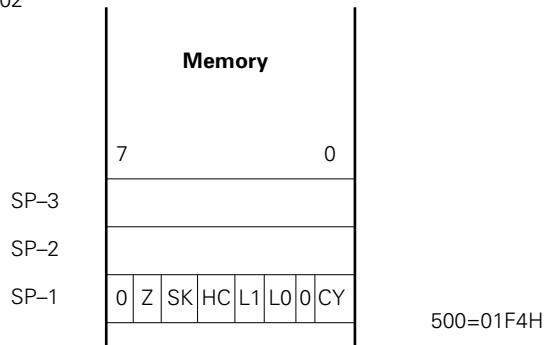
<4> Function : (SP-1) ← PSW, (SP-2) ← PC+1₁₅₋₈,
(SP-3) ← PC+1₇₋₀, SP ← SP-3,
PC ← 0060H

This is the software interrupt instruction which stores the PSW contents (Z, SK, HC, L1, L0 CY) in the stack memory indicated by SP-1, then stores the high-order 8 bits of the start address of the next instruction in the stack memory addressed by SP-2, and stores the low-order 8 bits in the stack memory addressed by SP-3. The instruction then loads the 0060H into the program counter and jumps to address 0060H.

<5> Flags affected : SK ← 0, L1 ← 0, L0 ← 0

<6> Example : When a SOFTI instruction is executed at address 500.

500 SOFTI
501
502



<7> NOTE : The following functional difference between the μ COM-87 and 87AD series should be noted: The μ COM-87 SOFTI instruction saves the address of the SOFTI instruction itself to the stack memory, whereas the address saved to the stack memory by the 87AD series SOFTI instruction is the start address of the next instruction. Even if the skip condition is satisfied by execution of the instruction (arithmetic or logical operation, increment/decrement, skip or RETS instruction) immediately preceding the SOFTI instruction, the SOFTI is executed, not skipped (see **9.4 Maskable Interrupt Operation**).

14.6.14 Return instructions

RET**(Return from Subroutine)**<1> Operation code :

1	0	1	1	1	0	0	0
---	---	---	---	---	---	---	---

<2> Number of bytes : 1

<3> Number of states : 10 (4)

<4> Function : $PC_{7-0} \leftarrow (SP)$, $PC_{15-8} \leftarrow (SP+1)$, $SP \leftarrow SP+2$

Restores the contents of the stack memory addressed by the SP to the low-order 8 bits (PC_{7-0}) of the program counter, and restores the contents of the stack memory addressed by SP+1 to the high-order 8 bits (PC_{15-8}).

<5> Flags affected : $SK \leftarrow 0$, $L1 \leftarrow 0$, $L0 \leftarrow 0$ **RETS****(Return from Subroutine and Skip)**<1> Operation code :

1	0	1	1	1	0	0	1
---	---	---	---	---	---	---	---

<2> Number of bytes : 1

<3> Number of states : 10 (4)

<4> Function : $PC_{7-0} \leftarrow (SP)$, $PC_{15-8} \leftarrow (SP+1)$, $SP \leftarrow SP+2$,
 $PC \leftarrow PC+n'$ n' : Number of bytes in the skipped instruction

Restores the contents of the stack memory addressed by the SP to the low-order 8 bits (PC_{7-0}) of the program counter and restores the contents of the stack memory addressed by SP+1 to the high-order 8 bits (PC_{15-8}), then skips unconditionally.

<5> Flags affected : $SK \leftarrow 1$, $L1 \leftarrow 0$, $L0 \leftarrow 0$

```
<6> Example      :      EXAM  EQU  0600H
                   0500      CALL  EXAM ; STACK ← 0503H
                   0503      JMP   0700H
                   0506      JMP   0800H
                   0509
                   ⋮
                   ⋮
                   0600 EXAM : PUSH  V
                               PUSH  B
                               ⋮
                               ⋮
                               POP   B
                               POP   V
                               RETS  ; PC ← (STACK), PC ← PC+3
```

After returning from the subroutine EXAM, JMP 0700H is skipped and JMP 0800H is executed.

RETI

(Return from Interrupt)

<1> Operation code :

0	1	1	0	0	0	1	0
---	---	---	---	---	---	---	---

<2> Number of bytes : 1

<3> Number of states : 13 (4)

<4> Function : $PC_{7-0} \leftarrow (SP)$, $PC_{15-8} \leftarrow (SP+1)$, $PSW \leftarrow (SP+2)$, $SP \leftarrow SP+3$

Restores the contents of the stack memory addressed by the SP to the low-order 8 bits (PC_{7-0}) of the program counter, restores the contents of the stack memory addressed by SP+1 to the high-order 8 bits (PC_{15-8}) of the program counter, and restores the contents of the stack memory addressed by SP+2 to the PSW.

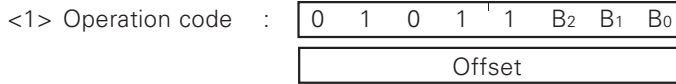
This instruction is used to return from the interrupt service routine for an external interrupt (\overline{NMI} , INT1, $\overline{INT2}$), an internal interrupt (timer, serial transfer, etc.), or a SOFTI instruction interrupt.

<5> Flags affected : SK, L1, L0

14.6.15 Skip instructions

BIT bit, wa

(Bit Test Working Register)



<2> Number of bytes : 2

<3> Number of states : 10 (7)

<4> Function : Skip if bit on.

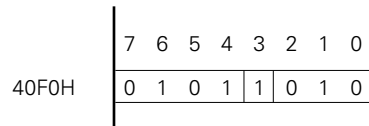
Skips if the bit specified by B₂B₁B₀ (0 to 7) of the working register addressed by the V register (high-order 8 bits) and the immediate data in the 2nd byte (low-order 8 bits) is 1.

<5> Flags affected : SK, L1 ← 0, L0 ← 0

<6> Example : When the contents of address 10F0H are 5AH

```
MVI V, 40H
BIT 3, 0F0H
JR $+2
RET
```

Working register



In this example, since the specified bit of the specified address is 1, the JR instruction is skipped and the RET instruction is performed.

SK f

(Skip if Flag)



<2> Number of bytes : 2

<3> Number of states : 8 (8)

<4> Function : Skip if f=1.

Skips if flag f (CY, HC, Z) specified by F₂F₁F₀ (2 to 4) is set to 1.

<5> Flags affected : SK, L1 ← 0, L0 ← 0

SKN f

(Skip if No Flag)

<1> Operation code :

0	1	0	0	1	0	0	0
0	0	0	1	1	F ₂	F ₁	F ₀

<2> Number of bytes : 2

<3> Number of states : 8 (8)

<4> Function : Skip if f=0.

Skips if flag f (CY, HC, Z) specified by F₂F₁F₀ (2 to 4) is set to 0.

<5> Flags affected : SK, L1 ← 0, L0 ← 0

SKIT irf

(Skip if Interrupt)

<1> Operation code :

0	1	0	0	1	0	0	0
0	1	0	I ₄	I ₃	I ₂	I ₁	I ₀

<2> Number of bytes : 2

<3> Number of states : 8 (8)

<4> Function : Skip if irf=1, then reset irf.

Skips if the interrupt request flag or test flag (NMI, FT0, FT1, F1, F2, FE0, FE1, FEIN, FAD, FSR, FST, ER, OV, AN4, AN5, AN6, AN7, SB) specified by I₄I₃I₂I₁I₀ (0 to C, 10 to 14) is set to 1, then resets the checked interrupt request flag. The NMI flag is not affected.

<5> Flags affected : SK, L1 ← 0, L0 ← 0

SKNIT irf

(Skip if No Interrupt)

<1> Operation code :

0	1	0	0	1	0	0	0
0	1	1	I ₄	I ₃	I ₂	I ₁	I ₀

<2> Number of bytes : 2

<3> Number of states : 8 (8)

<4> Function : Skip if irf=0.

Skips if the interrupt request flag or test flag (NMI, FT0, FT1, F1, F2, FE0, FE1, FEIN, FAD, FSR, FST, ER, OV, AN4, AN5, AN6, AN7, SB) specified by I₄I₃I₂I₁I₀ (0 to C, 10 to 14) is set to 0.

If the checked interrupt request flag is 1, that interrupt request flag is reset. The NMI flag is not affected.

<5> Flags affected : SK, L1 ← 0, L0 ← 0

14.6.16 CPU control instructions

NOP

(No Operation)

<1> Operation code :

0	0	0	0	0	0	0	0
---	---	---	---	---	---	---	---

<2> Number of bytes : 1

<3> Number of states : 4 (4)

<4> Function :
Expends 4 states without performing any operation.

<5> Flags affected : SK ← 0, L1 ← 0, L0 ← 0

EI

(Enable Interrupt)

<1> Operation code :

1	0	1	0	1	0	1	0
---	---	---	---	---	---	---	---

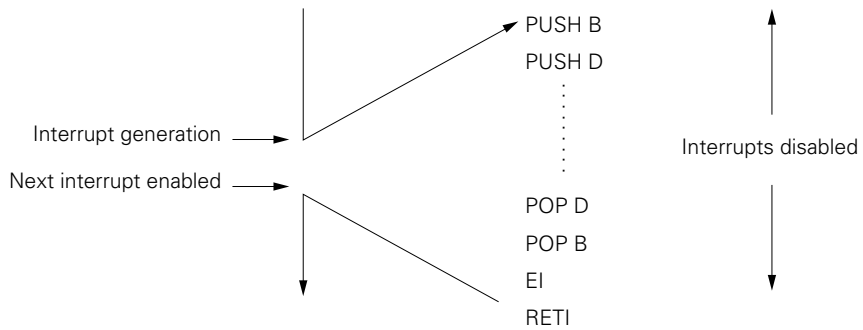
<2> Number of bytes : 1

<3> Number of states : 4 (4)

<4> Function :
Sets the interrupt enabled state. Interrupts are actually enabled after execution of the instruction (return instruction, etc.) located after the EI instruction, and excess stack space is not used for subsequently occurring interrupts. Non-maskable interrupts and the SOFTI instruction can be executed at all times without regard to the EI instruction.

<5> Flags affected : SK ← 0, L1 ← 0, L0 ← 0

<6> Example :



DI

(Disable Interrupt)

<1> Operation code :

1	0	1	1	1	0	1	0
---	---	---	---	---	---	---	---

<2> Number of bytes : 1

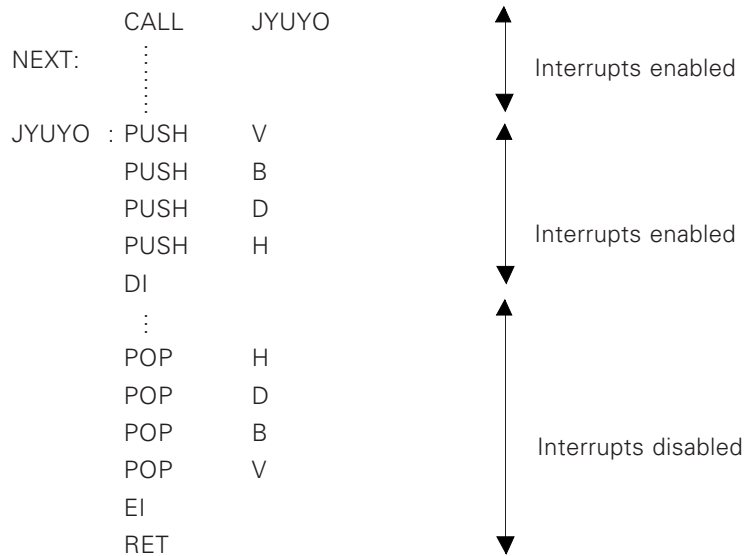
<3> Number of states : 4 (4)

<4> Function :

Sets the state in which all interrupts except non-maskable interrupts and interrupts generated by the SOFTI instruction are disabled. Execution of the DI instruction sets the interrupt disabled state during execution of the DI instruction.

<5> Flags affected : SK ← 0, L1 ← 0, L0 ← 0

<6> Example :



HLT

(Halt)

<1> Operation code :

0	1	0	0	1	0	0	0
---	---	---	---	---	---	---	---

0	0	1	1	1	0	1	1
---	---	---	---	---	---	---	---

<2> Number of bytes : 2

<3> Number of states : 12 (8)

<4> Function : Sets the HALT mode.

<5> Flags affected : SK ← 0, L1 ← 0, L0 ← 0

STOP

(Stop)

<1> Operation code :

0	1	0	0	1	0	0	0
---	---	---	---	---	---	---	---

1	0	1	1	1	0	1	1
---	---	---	---	---	---	---	---

<2> Number of bytes : 2

<3> Number of states : 12 (8)

<4> Function : Sets the software STOP mode.

<5> Flags affected : SK ← 0, L1 ← 0, L0 ← 0

14.7 Stacked Instructions

If instructions in the same group, group A or group B, from among the 3 kinds of instructions shown below are "stacked" in a program (i.e. if located in two or more consecutive addresses), the instruction located at the start point among the stacked instructions is executed, and thereafter the number of states fundamentally required for execution of that instruction are expended without any operation being performed (the same state as NOP).

Group A: MVI A, byte (L1 flag)

Group B: MVI L, byte; LXI H, word (L0 flag)

When a group A instruction is executed the L1 flag is set, and when a group B instruction is executed the L0 flag is set, and a check is made of whether instructions in the same group are stacked.

Interrupts are not disabled during stacked instruction execution, but since the L1 and L0 flags are automatically saved when an interrupt is generated, it is possible, on returning from the interrupt service routine, to determine whether the next instruction is one which should be given a stacking effect.

Using stacked MVI instructions, a program which clears a 4-byte register located in a specific area of memory (in this case with 10H as the upper address byte) can be written as shown below.

	8	9	A	B	C	D	E	F
	0	1	2	3	4	5	6	7
1000	X-REG				Y-REG			
1008	Z-REG				W-REG			

```

CLX : MVI L, 00H ; CLEAR X-REG
CLY : MVI L, 04H ; CLEAR Y-REG
CLZ : MVI L, 08H ; CLEAR Z-REG
CLW : MVI L, 0CH ; CLEAR W-REG
      MVI H, 40H
      MVI C, 3 ; SET COUNTER
      XRA A, A ; CLEAR A
LOOP : STAX H+ ; (HL) ← 0, HL ← HL+1
      DCR C ; SKIP IF BORROW
      JR LOOP
      RET
    
```

When "CLY" is called, for example, 04H is loaded into the L register and the two stacked instructions MVI L, 08H and MVI L, 0CH are replaced with an idle cycle (NOP cycle) comprising a total of 14 states, the upper byte of the address is determined by the next MVI H, 40H instruction and the Y-REG start address "4004H" is loaded into the HL register pair.

CHAPTER 15 OPERATING PRECAUTIONS

Be sure to read the following before using an 87AD series CMOS products.

15.1 RAE Bit Setting

- Target products : All products
- Details : When using on-chip memory, be sure to set the MM register RAE bit to "1".
If it is not, the on-chip memory cannot be used.
Also, when using the on-chip RAM for stack, be sure to set the RAE bit to "1" before entering interrupt enable and subroutine call.

Initialization Example 1

```
CSEG      AT 00
GJMP     START           ; Branches to initial routine
:
:
:
START : LXI      SP, xxxx           ; Stack pointer setting
        MVI     A, xxxx1xxxxB
        MOV    MM, A
:
:
:
```

Initialization Example 2 (Bad example)

```
CSEG      AT 00
GJMP     START           ; Branches to initial routine
:
:
:
START : LXI      SP, xxxx           ; Stack pointer setting
        CALL   INIT
:
:
:
INIT:   MVI     A, xxxx1xxxxB
        MOV    MM, A
:
:
:
```

In a state in which the RAE bit is not set, the on-chip RAM cannot be used. In addition, the RAE bit is indefinite when reset is cleared. The indefinite condition varies with a power source voltage rising condition, unevenness between product lots, difference between masked PROM and on-chip PROM, etc. Therefore, in **Initialization Example 2** above, the RAE bit is indefinite when the INIT routine is called. In case the RAE bit is reset, stack cannot be used when the INIT routine branches. This will result in an inadvertent running due to incapability in normal restore from the INIT routine.

Even when the RAE bit is set and operates normally, an abnormality will result due to power source voltage rising condition, unevenness between product lots, difference between masked PROM and on-chip PROM, etc.

- Remedy : As shown in **Initialization Example 1** set the stack pointer and MM register before interrupt enable and subroutine call to enable the use of on-chip RAM.

15.2 Port D/F Setting

- Target products : All products
- Details : A program to dynamically change the port D/F operation mode (from port mode to expand mode, and vice versa, from input port to output port, and vice versa and expansion space change) cannot be emulate by an emulator.
Relevant register: MM register (MM0 to MM2)
MF register
- Remedy : Once a mode is set, never the same mode again.

15.3 Timer, Timer/Event Counter Compare Register Setting

- Target products : All products
- Details : When the compare register value setting competes with compareter match, the latter takes preference over the former. Therefore, match interrupt occurrence and output control are disabled. Table 15-1 lists compare register, match signal and match interrupt of each timer.

Table 15-1. Compare Register, Match Signal and Match Interrupt of Each Timer

Timer and Timer/Event Counter	Compare Register	Match Signal	Match Interrupt
TIMER0	Timer REG0 (TM0)	–	INTT0
TIMER1	Timer REG1 (TM1)	–	INTT1
Timer/event counter (ECNT)	Timer/event counter REG0 (ETM0)	CP0	INTE0
	Timer/event counter REG1 (ETM1)	CP1	INTE1

- Remedy : When setting the compare register value do not allow the set value to compete with the comparator match signal.

15.4 Restrictions on Serial Interface and Asynchronous Modes

- Target products : μ PD78C10
78C11
78C14 (Standards "K" and "E")
78C14A
78CG14
- Details : When the serial data reception is made in the asynchronous mode using external clock $\overline{\text{SCK}}$ signal, the ER flag may not be set normally even if the reception is made normally.
- Remedy : Examine the following methods.

(1) Correction by software

When the ER flag is set, issue the transmit request to transmitting side. This is the most desirable method as a remedy against error occurrence.

(2) Using the internal clock as $\overline{\text{SCK}}$ signal source

Use the internal clock as the $\overline{\text{SCK}}$ signal source. In this case, do not output the $\overline{\text{SCK}}$ from the PC2 pin (MCC2=0, with PC2 placed in the port mode).

(3) Inputting an external clock signal to PC3/TI

Input an external clock signal to PC3/TI and count TI with the timer. Reverse TO by the timer comparator match signal and use the reversed TO as $\overline{\text{SCK}}$ signal. In this case, never output $\overline{\text{SCK}}$ from the PC2 pin (MCC2=0).

[Receiving processing initialization program example]

```

MVI SMH, 00H ;  $\overline{\text{SCK}}$ : TO
MVI A, xxH ; SML setting
MOV SML, A
MVI A, xxH ; TM0 (data to scale the TI input ) setting
MOV TM0, A
MVI TMM, xxx01000B ; TIMER0: TI count, TO is reversed by the TIMER0 match signal.
MVI A, xxxx101xB ; PC1: RxD input
; PC2: Port mode
; PC3: TI input

MOV MCC, A
:
:
:
ORI SMH, 08H ; Receive enabled

```

Remarks 1. Relationship between TI input frequency f_{TI} , data transfer speed B, and clock rate N is as given below

$$B = \frac{f_{TI}}{2 \times C \times N} \quad (\text{Where } C \text{ is } TM0 \text{ set value})$$

2. The TI input high/low level width is $6/f_{xx}$ (f_{xx} : oscillation frequency) or more. (The level width is $0.4 \mu\text{s}$ or more when $f_{xx}=15 \text{ MHz}$, and the maximum frequency of f_{TI} is 1.25 MHz for 50% duty.)

15.5 Serial Interface Start Bit Input

- Target products : All products
- Details : When receiving serial data in the asynchronous mode, if approximately 1/2 bit pulse is input to the RxD pin, the data parity stop bit input is prohibited and an overrun error may result at the time next data is input.
- Remedy : Examine the following methods.
 - (1) Never input approximately 1/2 bit start bit to the RxD pin.
 - (2) When the ER flag is set, issue the retransmit request to the transmitting side.

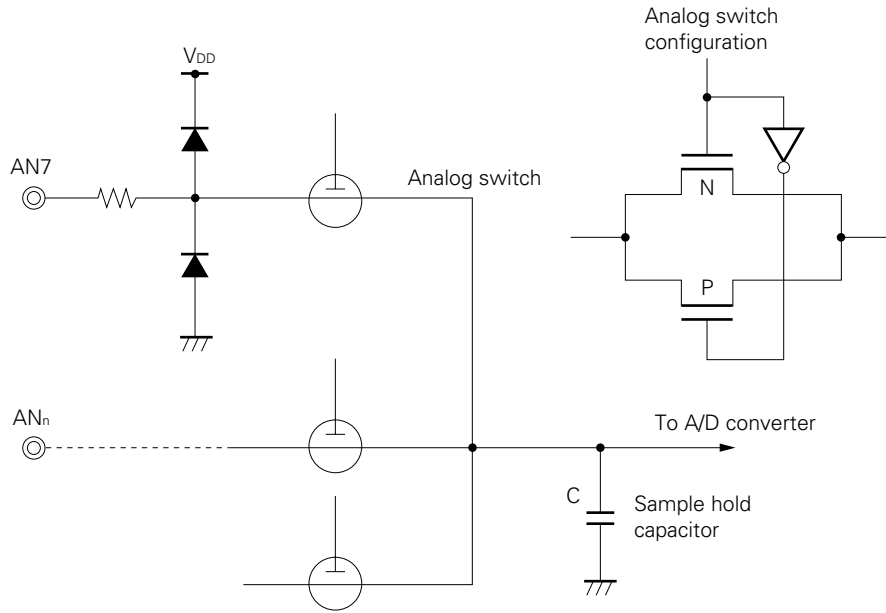
15.6 Serial Interface and Transmission Format Change

- Target products : All products
- Details : Serial interface may hang up if a transmit data format is changed by manipulating the SML and SMH registers while transmitting data in the serial register. (This may occur event if the TxE bit is reset (0)).
The reasons are as follows: When the TxE bit is changed from the set (1) state to reset (0) state, the send disabled will result after completing data sending from the serial register. Therefore, if change is made while data is left in the serial register, the serial interface may not be sent.
- Remedy : Examine the following methods.
 - (1) Set the destination mode so that the transfer format needs not be changed.
 - (2) When changing transfer format take measure on software so that the transfer format is not be change until the serial register data is sent out after resetting (0) TxE bit.

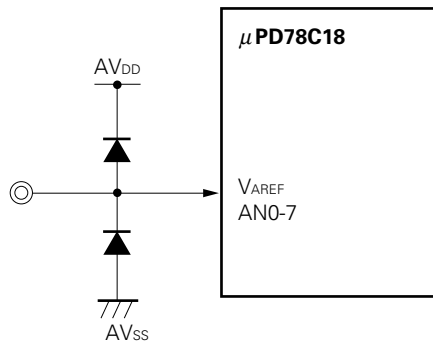
15.7 Input Voltage to Analog Input Pin

- Target products : All products
- Details : When analog input voltage V_{IAN} specified by the A/D converter characteristics exceeds the specified value accuracy cannot be expected from the value obtained.
Then analog input circuit is as shown in Figure 15-1. It is connected to the sample hold capacitor via the protection register, protection diode and analog switch. There are one sample hold capacitor and one A/D converter. The analog input samples the input signal selected by the analog switch. In this case, if a voltage exceeding the specified analog voltage is applied to the analog input pin, the analog switch conducts even if it is not selected. This causes the sample hold capacitor to be charged (When the analog input voltage $\geq V_{IAN}$) or discharged (when the analog input voltage $\leq V_{IAN}$), making the selected analog input voltage change unreliable.

Figure 15-1. Analog Input Circuit Block Diagram



- Remedy : Limit the analog input voltage as described below.
 - (1) Limit the output voltage in the analog detecting circuit to the specified analog input voltage.
 - (2) Cramp the analog input pin using a Schottkey Barrier diode.



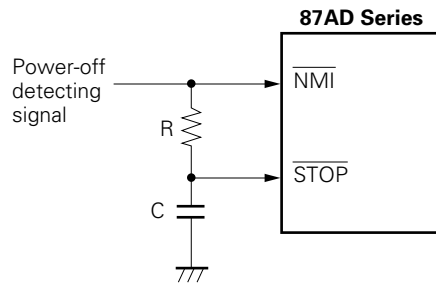
15.8 Limitations on Hardware STOP Mode

- Target products : μ PD78C10
78C11
78C10A (Standards "K")
78C11A (Standards "K")
78C12A (Standards "K")
78C14 (Standards "K" and "E")
78C14A
78CG14
- Details : If the hardware STOP mode is executed not in synchronization with the CPU operation, power supply current consumption may become approximately 20 mA, even after entering the hardware STOP mode.
- Remedy : Use any of the following signals in combination with the $\overline{\text{STOP}}$ input, then use the JR \$ instruction to synchronize the hardware STOP mode with the CPU operation.
 - $\overline{\text{NMI}}$
 - $\overline{\text{RESET}}$

(1) When both $\overline{\text{NMI}}$ and $\overline{\text{STOP}}$ are used

As shown in Figure 15-2, input the power-off detect signal to the $\overline{\text{NMI}}$ pin as a non-maskable interrupt request, then input the delayed signal thus obtained to the $\overline{\text{STOP}}$ pin as the hardware STOP mode setting signal.

Figure 15-2. When Both $\overline{\text{NMI}}$ and $\overline{\text{STOP}}$ Are Used

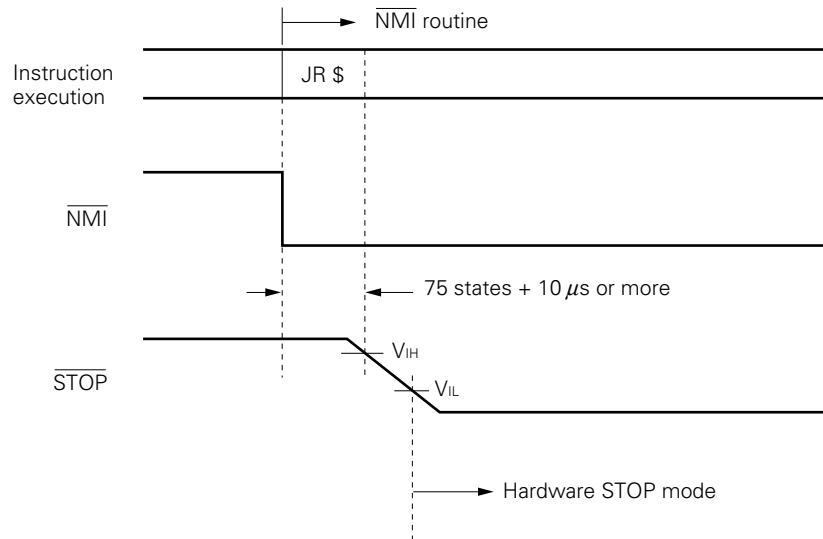


The operation sequence is as follows:

- (a) When the power-off detect signal is input, the $\overline{\text{NMI}}$ routine starts.
- (b) Then JR \$ instruction is executed as the start of $\overline{\text{NMI}}$ routine, the program is looped to wait $\overline{\text{STOP}}$.

Determine values of R and C so that the delay of $\overline{\text{STOP}}$ behind $\overline{\text{NMI}}$ is longer than the longest interrupt wait period 75 states + 10 μs (28.75 μs at 12 MHz operation).

Figure 15-3. Control Timing of $\overline{\text{NMI}}$ and $\overline{\text{STOP}}$

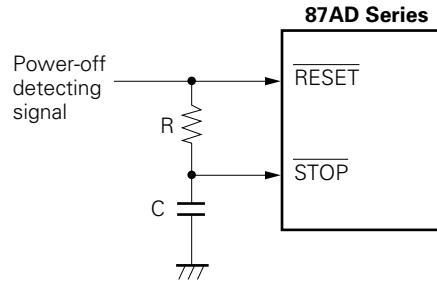


When executing the power off processing before executing the JR \$ in the $\overline{\text{NMI}}$ routine, delay of $\overline{\text{STOP}}$ is required to be larger in proportion to time shortened.

(2) When both $\overline{\text{RESET}}$ and $\overline{\text{STOP}}$ are used

During reset period ($\overline{\text{RESET}}=\text{low level}$), $\overline{\text{STOP}}$ input can be acknowledged normally. Therefore, if the $\overline{\text{RESET}}$ input is activated before entering $\overline{\text{STOP}}$, a normal hardware STOP mode can be expected.

Figure 15-4. When Both $\overline{\text{NMI}}$ and $\overline{\text{STOP}}$ Are Used

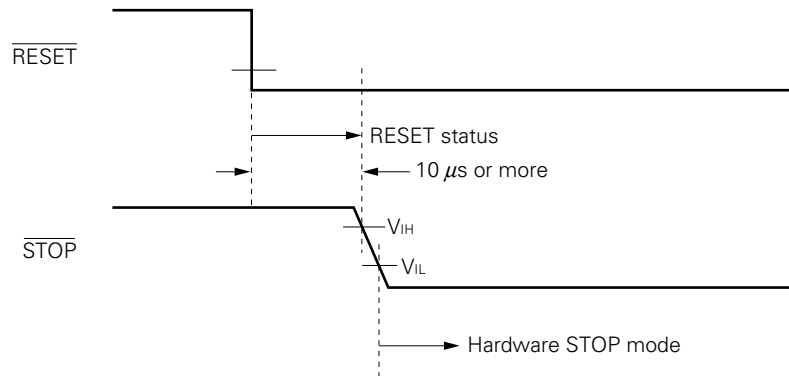


The operation sequence is as follows:

- (a) When the power supply off detect signal ($\overline{\text{RESET}}$ signal) enters, the 87AD series is placed in the reset state.
- (b) The $\overline{\text{RESET}}$ signal is caused to be delayed $10\ \mu\text{s}$ or more to change it to be the $\overline{\text{STOP}}$ signal.
- (c) The 87AD series enters the hardware STOP mode in the reset state.

However, this method may damage the data memory contents by $\overline{\text{RESET}}$, in other words, if the $\overline{\text{RESET}}$ signal is input to the CPU data memory while data is written, the relevant data may be undefined.

Figure 15-5. Control Timing of $\overline{\text{RESET}}$ and $\overline{\text{STOP}}$



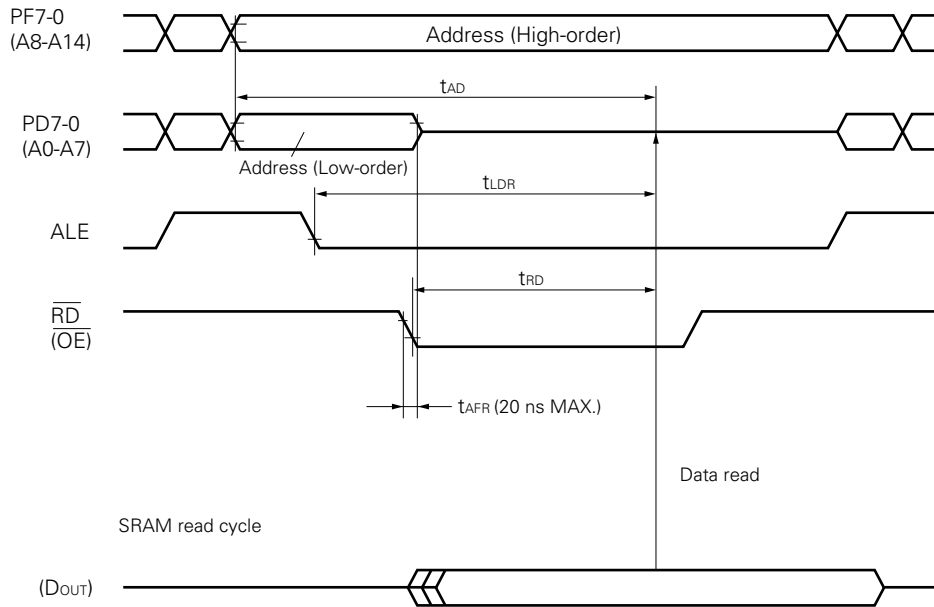
15.9 How to Use Standby Flag

- Target products : All products
- Details : Assurance is not given to voltage level where the standby (SB) flag is set again after the power supply voltage subsequent to entering the software/hardware STOP mode. (The desirable voltage is maintained in a state where $2.5\text{ V} \leq V_{DD} \leq$ operational voltage range.) Therefore, the SB flag cannot be used for a test as to whether the RAM back is normal after releasing software/hardware STOP mode.
- Remedy : Keep the data retention voltage V_{DDDR} over 2.5 V by hardware in the software/hardware STOP mode.

15.10 Bus Interface

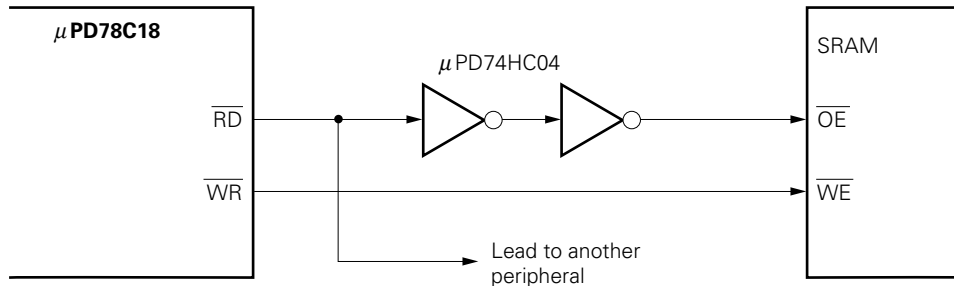
- Target products : All products
- Details : In case where a RAM is expanded externally, connecting a comparatively speedy SRAM may cause large current to run in the read operation due to collision of address output signal from address/data (PD7 to PD0) with SRAM output signal.

Figure 15-6. μ PD78C18 Read Operation



Remark Symbols in () are SRAM (μ PD43256A) pin names.

- Remedy : To connect an SRAM, insert gates, etc. between the \overline{RD} and SRAM \overline{OE} pins to give a delay (t_{DELY}) to the \overline{RD} active signal. In this case be sure to satisfy the t_{RD} specification as given below.
 $t_{OE} + t_{DELY} \leq t_{RD}$

Sample Solution**15.11 Restrictions on IE-78C11-M Operation**

- Target products : IE-78C11-M
- Details : The IE-78C11-M uses the $\mu\text{PD78C10G-36}$ as the emulation CPU and includes defects mentioned in **15.4 Restrictions on Serial Interface and Asynchronous Modes** and **15.8 Limitations on Hardware STOP mode**. Therefore, the above defects are found in the course of debugging.
- Remedy : If the defective product is replaced by the improved product or trouble-free product is used for debugging, change emulation CPU (from Standard K of $\mu\text{PD78C10A}$ to any of standards other than K).

15.12 Electrostatic Withstand Limit of V_{PP} Pin

- Target products : $\mu\text{PD78CP18}$ (Standard "K")
- Details : The V_{PP} pin can withstand a maximum of 500V static electricity in the MIL standard measuring method.
- Remedy : Take suitable precautions when writing to the PROM or mounting the device.

APPENDIX A INTRODUCTION TO PIGGYBACK PRODUCT

μ PD78CG14

On-Chip EPROM Type 8-Bit Microcontroller (with A/D Converter)

The μ PD78CG14 8-bit microcontroller allows program memory (standard 27C256/27C256A EPROM) to be connected by the piggyback method.

The μ PD78CG14 is pin-compatible with the μ PD78C11A/78C12A/78C14 QUIP type 8-bit shingle-chip microcontrollers with on-chip mask ROM, and has identical functions.

The μ PD78CG14 allows the program to be changed by rewriting the EPROM, and is suitable for μ PD78C11A/78C12A/78C14 evaluation and limited production.

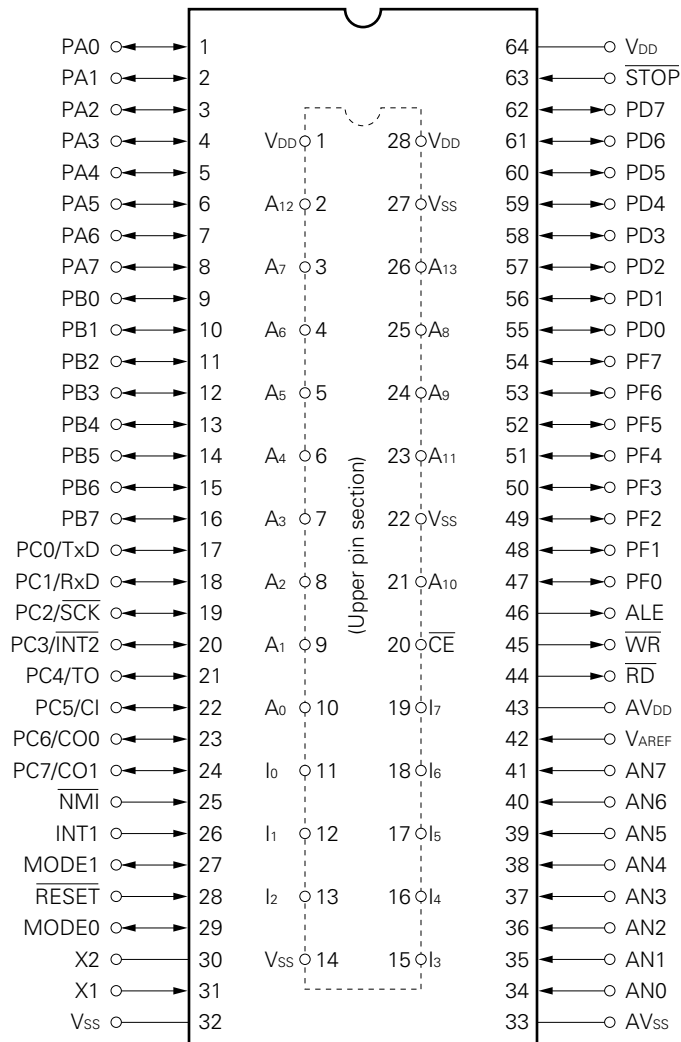
Features

- Compatible with μ PD78C11A/78C12A/78C14 QUIP type products.
- Capacity accessible as piggyback memory can be changed by software (16K/8K/4K bytes)
- Program memory addressing capacity: 65280×8 bits
- On-chip RAM capacity: 256×8 bits
- Standby functions: HALT mode, hardware/software STOP mode
- CMOS
- Single power supply (5 V \pm 10%)

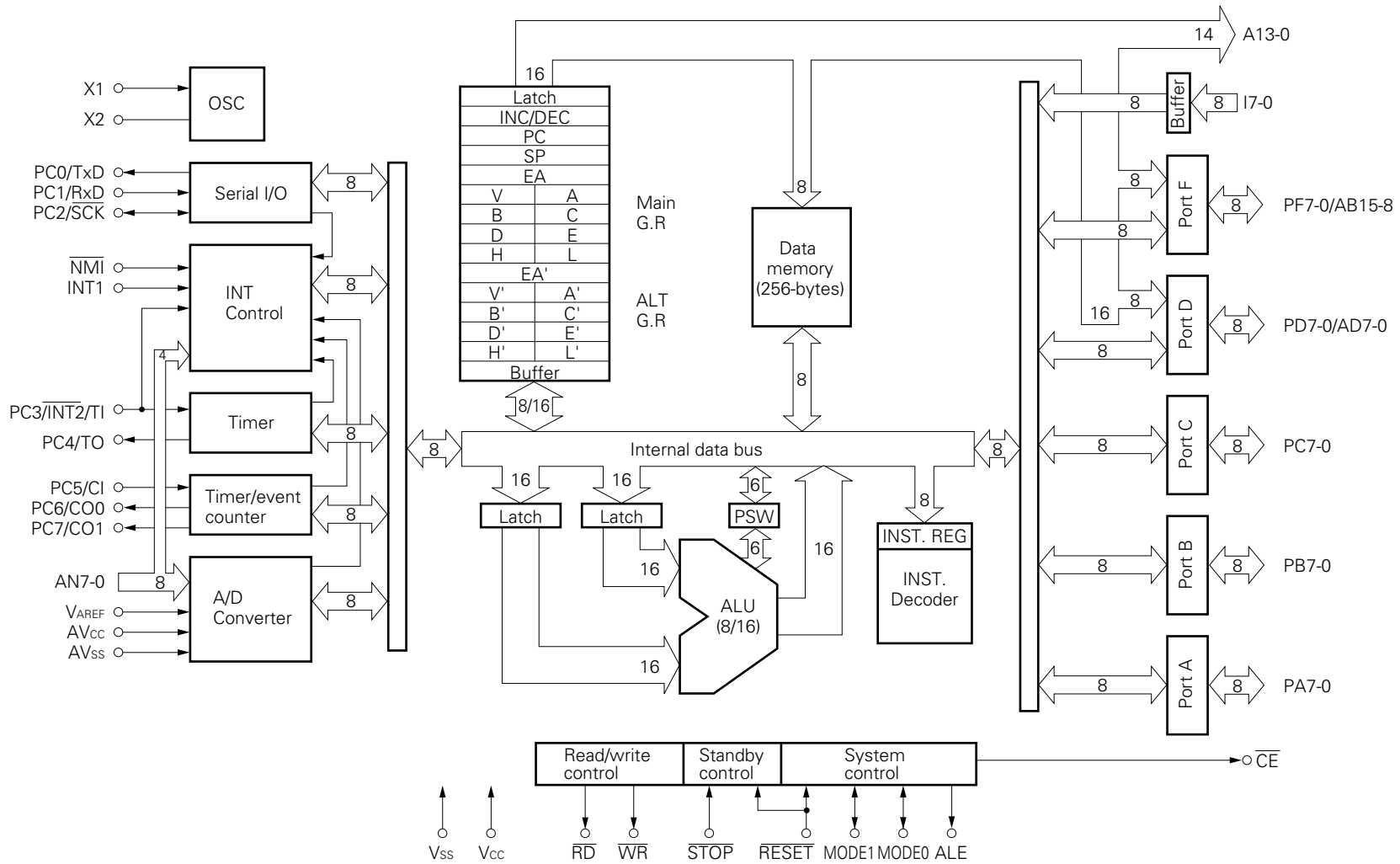
Ordering Information

Part Number	Package
μ PD78CG14E	64-pin ceramic piggyback QUIP

Pin Configuration (Top View)



Block Diagram



A.1 Pin Functions

A.1.1 Lower pins (μ PD78C11A/78C12A/78C14 QUIP type compatible)

Pin Name	Input/Output	Function	
PA7 to PA0 (Port A)	I/O	8-bit input/output port, with input/output specifiable bit-wise	
PB7 to PB0 (Port B)	I/O	8-bit input/output port, with input/output specifiable bit-wise	
PC0/TxD	I/O/output	Port C 8-bit input/output port, with input/ output specifiable bit-wise	Transmit data Serial data output pin
PC1/RxD	I/O/input		Receive data Serial data input pin
PC2/ $\overline{\text{SCK}}$	I/O/I/O		Serial clock Serial clock input/output pin: Output when internal clock is used, input when external clock is used
PC3/ $\overline{\text{INT2}}$ /TI	I/O/input/input		Interrupt request/timer input Edge-triggered (falling edge) maskable interrupt input pin or timer external clock input pin can also be used as AC input zero-cross detection pin
PC4/TO	I/O/output		Timer output Square wave is output with timer count time or one internal clock cycle as one half cycle
PC5/CI	I/O/input		Counter input Input pin for external pulses to timer/ event counter
PC6/CO0 PC7/CO1	I/O/output		Counter output 0 & 1 Rectangular-wave output programmable by timer/event counter
PD7 to PD0/ AD7 to AD0	I/O/I/O		Port D 8-bit input/output port, with input/output specifiable bit-wise
PF7 to PF0/ AB15 to AB8	I/O/output	Port F 8-bit input/output port, with input/output specifiable bit-wise	Address bus Functions as address bus when external memory is used

Pin Name	Input/Output	Function
\overline{WR} (Write strobe)	Output	Strobe signal output for external memory write operations. High level except in external memory data write machine cycles. Becomes high-impedance output when \overline{RESET} signal is low or in hardware STOP mode.
\overline{RD} (Read strobe)	Output	Strobe signal output for external memory read operations. High level except in external memory data read machine cycles. Becomes high-impedance output when \overline{RESET} signal is low or in hardware STOP mode.
ALE (Address latch enable)	Output	Strobe signal output for external latching of lower address information output to pins PD7 to PD0 to access external memory. Becomes high-impedance output when \overline{RESET} signal is low or in hardware STOP mode.
MODE0 MODE1 (Mode)	I/O	Set MODE0 pin to "0" (low level), MODE1 pin to "1" (high level) ^{Note} . When MODE0 and MODE1 pins are both set to "1" ^{Note} control signal is output in synchronization with ALE.
\overline{NMI} (Non-maskable interrupt)	Input	Edge-triggered (falling edge) non-maskable interrupt input pin.
INT1 (Interrupt request)	Input	Edge-triggered (rising edge) maskable interrupt input pin; can also be used as AC input zero-cross detection pin.
AN7 to AN0 (Analog input)	Input	8 analog inputs to A/D converter. AN7 to AN4 can also be used as edge-detected (falling edge) inputs.
V _{REF} (Reference voltage)	Input	Dual function as A/D converter reference voltage input pin and A/D converter operation control pin
A _{VDD} (Analog V _{DD})		A/D converter power supply pin
A _{VSS} (Analog V _{SS})		A/D converter GND pin
X1, X2 (Crystal)		System clock oscillation crystal connected inputs. When clock is supplied externally, it is input to X1. Input inverted phase clock of X1 to X2.
\overline{RESET} (Reset)	Input	Low-level active system reset input
\overline{STOP} (Stop)	Input	Hardware STOP mode control signal input pin: When driven low, oscillator operation stops.
V _{DD}		Positive power supply pin
V _{SS}		GND pin

Note Should be pulled up. The pull-up resistor R specification is: $4 \text{ [k}\Omega\text{]} \leq R \leq 0.4c_{yc} \text{ [k}\Omega\text{]}$ (c_{yc} in ns units).

A.1.2 Upper pins (27C256/27C256A compatible)

Pin Name	Input/Output	Function	After Reset
A ₀ to A ₁₃	Output	Outputs 14 bits (PC0 to PC13) of program counter comprising 27C256/27C256A address signals (A ₀ to A ₁₃).	Undefined
I ₀ to I ₇	Input	Inputs data (0 ₀ to 0 ₇) read from 27C256/27C256A.	
\overline{CE} (20)	Output	Supplies chip enable signal to 27C256/27C256A \overline{CE} pin. High in hardware/software STOP & HALT mode, low at all other times.	
V _{DD} (1)		Supplies V _{CC} power supply (V _{PP}) to 27C256/27C256A at same potential as lower V _{DD} pin.	
V _{DD} (28)		Supplies V _{CC} power supply (V _{CC}) to 27C256/27C256A at same potential as lower V _{DD} pin.	
V _{SS} (14)		Connected to 27C256/27C256A GND pin at same potential as lower V _{SS} pin.	
V _{SS} (22)		Supplies \overline{OE} signal (always low) to 27C256/27C256A at same potential as lower V _{SS} pin.	
V _{SS} (27)		Supplies A ₁₄ signal (always low) to 27C256/27C256A at same potential as lower V _{SS} pin.	

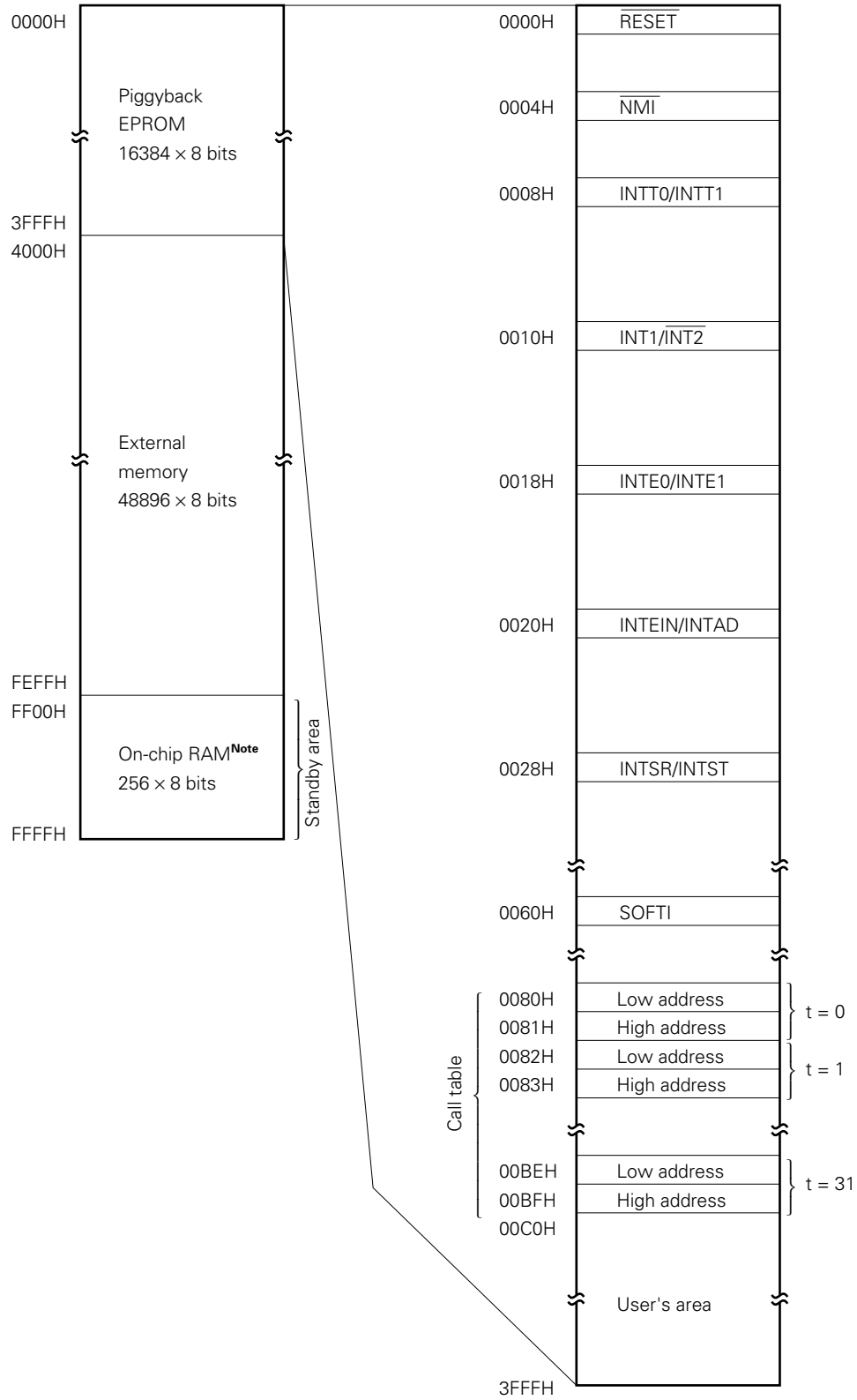
A.2 Memory Configuration

The memory of the μ PD78CG14 allows implementation of the same functions and configuration as the μ PD78C11A/78C12A/78C14. Also, the piggyback EPROM address range can be selected by means of the memory mapping register for efficient setting of external memory (excluding EPROM).

The vector addresses, call table area and data memory area are the same for all three product types.

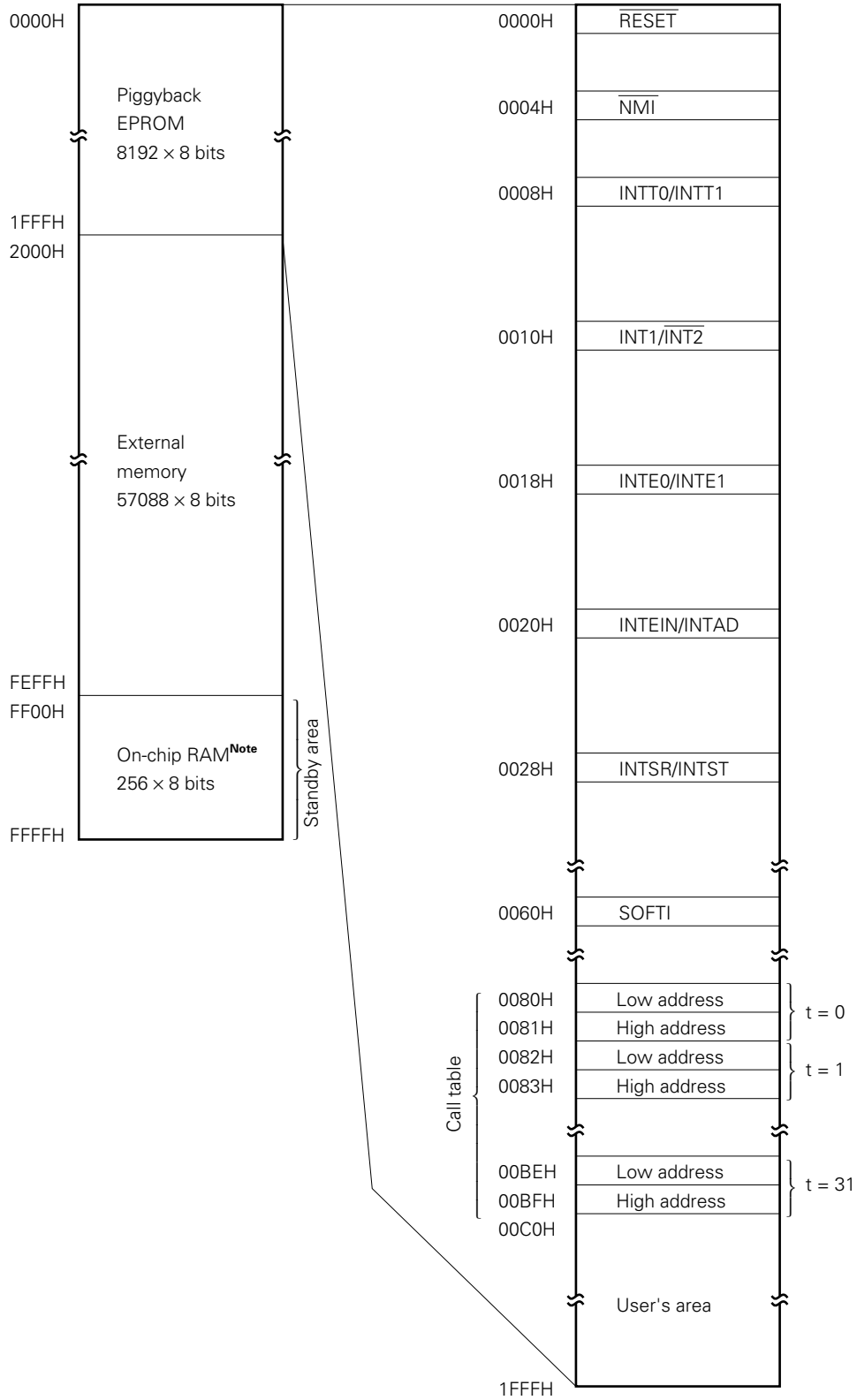
The memory maps are shown in Figures A-1 to A-3.

Figure A-1. Memory Map (μ PD78C14 Mode)



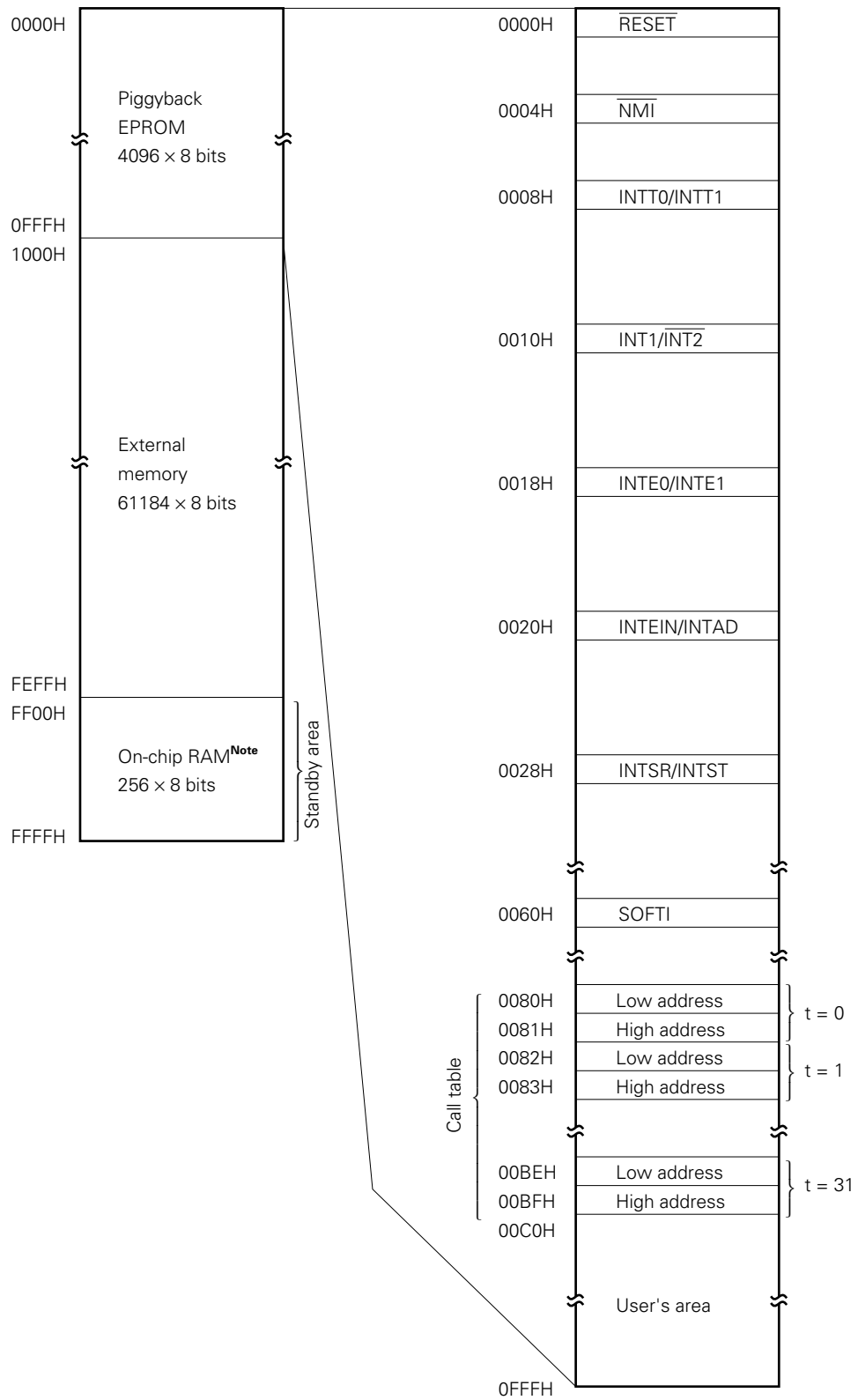
Note Can only be used when the RAE bit of the MM register is 1.

Figure A-2. Memory Map (μ PD78C12A Mode)



Note Can only be used when the RAE bit of the MM register is 1.

Figure A-3. Memory Map (μ PD78C11A Mode)



Note Can only be used when the RAE bit of the MM register is 1.

A.3 Memory Mapping Register (MM)

This is an 8-bit register in which the function of specifying the piggyback EPROM access address (MM6 & MM7) is added to the control functions of the μ PD78C11A/78C12A/78C14.

The configuration of the memory mapping register is shown in Figure A-4.

When MM7 and MM6 are set to 00, piggyback EPROM addresses 0000H to 3FFFH (16K bytes) are accessed, and the external memory capacity is 48K bytes. When set to 10, addresses 0000H to 0FFFH (4K bytes) are accessed, and thus the external memory capacity is 60K bytes.

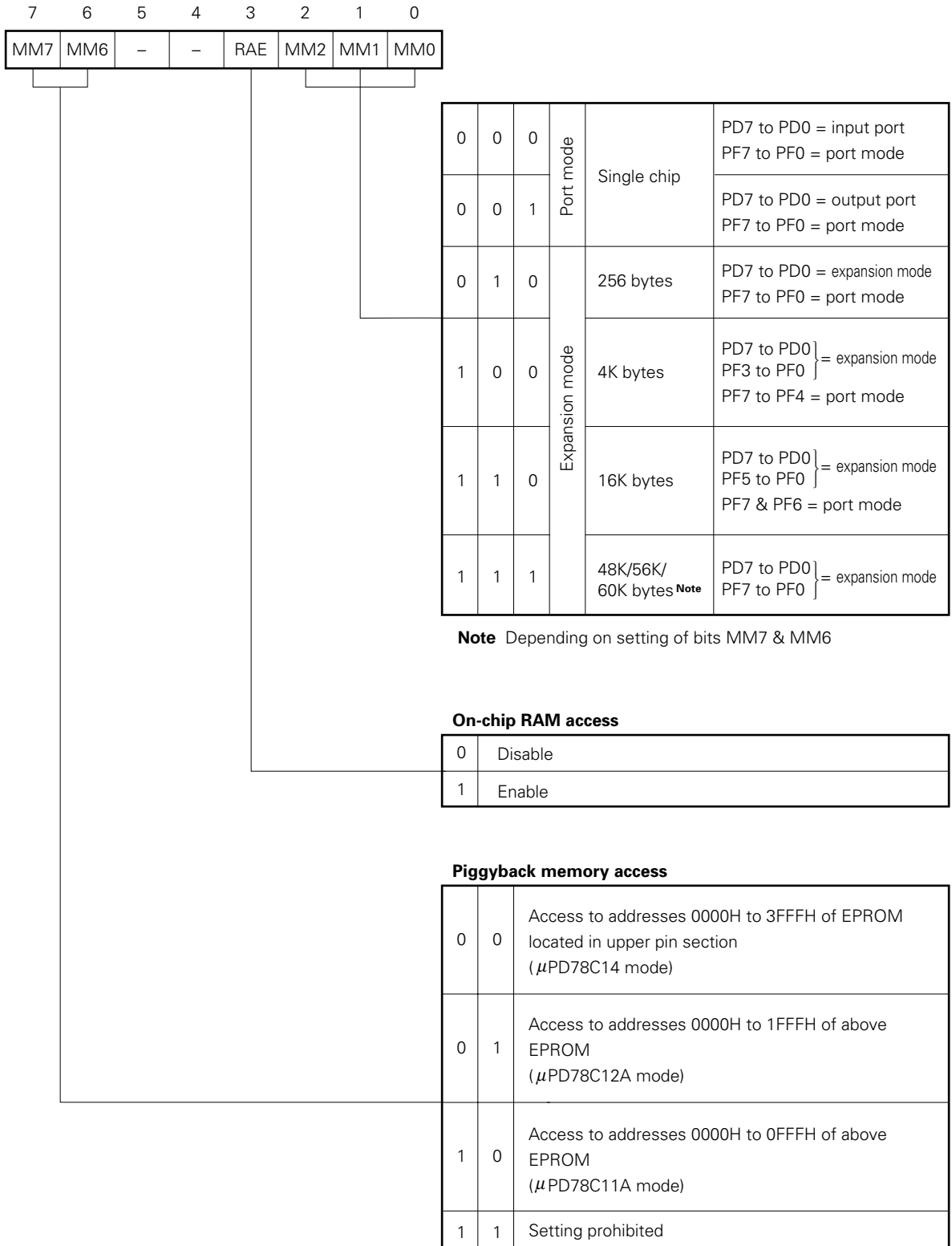
The MM7 and MM6 bits are only valid in the μ PD78CG14/78CP14^{Note}; if data is written to these bits in the μ PD78C11A/78C12A/78C14, it is ignored by the CPU. Therefore, a program developed in piggyback mode can be transferred without modification to mask ROM.

In the μ PD78CG14, MM7, MM6, MM2, MM1 and MM0 are initialized to 0 by $\overline{\text{RESET}}$ input. Therefore, the μ PD78C14 starts operating in single-chip mode.

Also, the RAE bit is undefined after $\overline{\text{RESET}}$ input, and must be initialized at the start of the program.

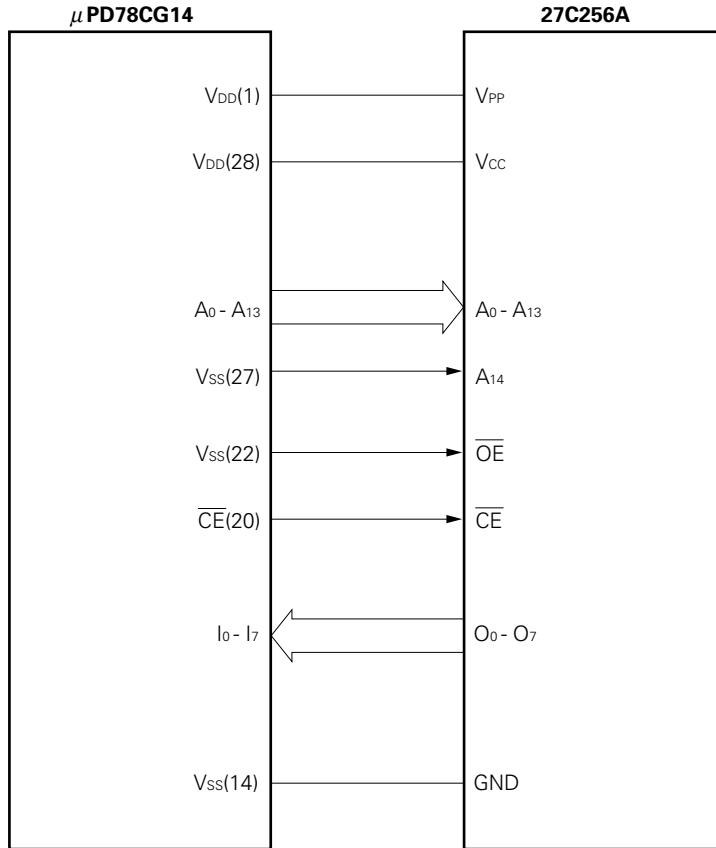
Note See **CHAPTER 12 PROM ACCESSES (μ PD78CP18/78CP14 ONLY).**

Figure A-4. Memory Mapping Register Format (μ PD78CG14)



A.4 Interface with EPROM

Figure A-5. Connection to 27C256A



Caution When the μ PD2764/27C64/27128 is used, a high-level signal must be input to pin 27 (\overline{PGM}). For this reason, pin 27 only should not be inserted in the socket, but should receive a high-level input externally.

APPENDIX B DEVELOPMENT TOOLS

The following development tools are available for system development using 87AD series products.

Language Processor

87AD series relocatable assembler (RA87)	This program converts a program written in mnemonics into object code which can be executed by a microcontroller. In addition, functions are provided for automatic symbol table generation, branch instruction optimization processing, etc.			
	Host machine	OS	Supply medium	Ordering code (Product name)
	PC-9800 series	MS-DOS™ Ver. 2.11 ⋮ Ver. 5.00A Note	3.5-inch 2HD	<i>μ</i> S5A13RA87
			5-inch 2HD	<i>μ</i> S5A10RA87
	IBM PC/AT™	PC DOS™ (Ver.3.1)	3.5-inch 2HC	<i>μ</i> S7B13RA87
5-inch 2HC			<i>μ</i> S7B10RA87	

Note Ver. 5.00/5.00A are provided with a task swapping function, but this software cannot use the function.

Remark Operation of the assembler is guaranteed only on the host machines and operating systems quoted above.

PROM Writing Tools

Hardware	PG-1500	This PROM programmer allows programming, in standalone mode or via operation from a host machine, of a single-chip microcontroller with on-chip PROM by connection of the board provided and a separately available programmer adapter. It also permits programming of typical PROMs from 256K bits to 1M bits.			
	PA-78CP14CW /GF/GQ/KB/L	PROM programmer adapter for μ PD78CP14/78CP18, used connected to the PG-1500.			
		PA-78CP14CW	For μ PD78CP14CW/78CP14DW/78CP18CW/78CP18DW		
		PA-78CP14GF	For μ PD78CP14GF-3BE/78CP18GF-3BE		
		PA-78CP14GQ	For μ PD78CP14G-36/78CP14R/78CP18GQ-36		
		PA-78CP14KB	For μ PD78CP14KB/78CP18KB		
		PA-78CP14L	For μ PD78CP14L		
Software	PG-1500 controller	Connects PG-1500 and host machine via a serial and parallel interface, and controls the PG-1500 on the host machine.			
		Host machine	OS	Supply medium	Ordering code (Product name)
		PC-9800 series	$\left(\begin{array}{c} \text{MS-DOS} \\ \text{Ver. 3.10} \\ \vdots \\ \text{Ver. 5.00A} \end{array} \right)$ Note	3.5-inch 2HD	μ S5A13PG1500
				5-inch 2HD	μ S5A10PG1500
		IBM PC/AT	PC DOS (Ver.3.1)	3.5-inch 2HD	μ S7B13PG1500
				5-inch 2HC	μ S7B10PG1500

Note Ver. 5.00/5.00A are provided with a task swapping function, but this software cannot use the function.

Remark Operation of PG-1500 controller is guaranteed only on the host machines and operating systems quoted above.

Debugging Tools

An in-circuit emulator (IE-78C11-M) is available as a program debugging tool for 87AD series products. The system configuration is shown below.

Hardware	IE-78C11-M	The IE-78C11-M is an in-circuit emulator for the 87AD series. The IE-78C11-M is used alone for a plastic QUIP, or in conjunction with the conversion socket for a plastic shrink DIP. Efficient debugging is possible by connection to a host machine.			
	EV-9001-64	Conversion socket for use with a plastic shrink DIP. Used in conjunction with the IE-78C11-M.			
	EV-9200G-64	64-pin WQFN socket. Can be used in conjunction with the μ PD78CP14KB/ 78CP18KB, by which 64-pin plastic QFP products with window are superseded.			
Software	IE-78C11-M control program (IE controller)	Connects the IE-78C11-M to the host machine via RS-232-C, and controls the IE-78C11-M on the host machine.			
		Host machine	OS	Supply medium	Ordering code (Product name)
		PC-9800 series	$\left(\begin{array}{c} \text{MS-DOS} \\ \text{Ver. 2.11} \\ \text{?} \\ \text{Ver. 3.30D} \end{array} \right)$	3.5-inch 2HD	μ S5A13IE78C11
				5-inch 2HD	μ S5A10IE78C11
IBM PC/AT	PC DOS (Ver.3.1)	5-inch 2HC	μ S7B10IE78C11		

Remark Operation of IE controller is guaranteed only on the host machines and operating systems quoted above.

Related Documents

- Hardware tools
 - IE-78C11 Control Program User's Manual (EEU-1368)
- Software tools
 - RA87 Assembler Package User's Manual
 - PC-9800 Series (MS-DOS) Based, IBM PC (PC DOS) Based (EEM-1202)
 - Macro Processor User's Manual (EEM-1041)

[MEMO]

APPENDIX C INDEX OF INSTRUCTIONS (ALPHABETICAL ORDER)

Instruction	Page	Instruction	Page	Instruction	Page
[A]		CALL word	316	EI	323
ACI A, byte	271	CALT word	317	EQA A, r	261
ACI r, byte	271	CLC	305	EQA r, A	262
ACI sr2, byte	271	[D]		EQAW wa	289
ADC A, r	252	DAA	304	EQAX rpa	269
ADC r, A	253	DADC EA, rp3	294	EQI A, byte	282
ADCW wa	285	DADD EA, rp3	294	EQI r, byte	282
ADCX rpa	263	DADDNC EA, rp3	295	EQI sr2, byte	282
ADD A, r	252	DAN EA, rp3	296	EQIW wa, byte	292
ADD r, A	252	DCR r2	302	ESUB EA, r2	295
ADDNC A, r	253	DCRW wa	302	EXA	241
ADDNC r, A	254	DCX EA	303	EXH	241
ADDNCW wa	285	DCX rp	303	EXX	240
ADDNCX rpa	264	DEQ EA, rp3	298	[G]	
ADDW wa	285	DGT EA, rp3	297	GTA A, r	259
ADDX rpa	263	DI	324	GTA r, A	259
ADI A, byte	270	DIV r2	300	GTAW wa	288
ADI r, byte	270	DLT EA, rp3	298	GTAX rpa	267
ADI sr2, byte	270	DMOV EA, rp3	242	GTI A, byte	279
ADINC A, byte	272	DMOV EA, sr4	243	GTI r, byte	279
ADINC r, byte	272	DMOV rp3, EA	242	GTI sr2, byte	279
ADINC sr2, byte	272	DMOV sr3, EA	242	GTIW wa, byte	291
ANA A, r	257	DNE EA, rp3	298	[H]	
ANA r, A	257	DOFF EA, rp3	299	HLT	324
ANAW wa	287	DON EA, rp3	299	[I]	
ANAX rpa	266	DOR EA, rp3	297	INR r2	301
ANI A, byte	276	DRLL EA	310	INRW wa	301
ANI r, byte	276	DRLR EA	311	INX EA	302
ANI sr2, byte	276	DSBB EA, rp3	296	INX rp	301
ANIW wa, byte	290	DSLL EA	311	[J]	
[B]		DSLRLR EA	312	JB	313
BIT bit, wa	321	DSUB EA, rp3	295	JEA	315
BLOCK	241	DSUBNB EA, rp3	296	JMP word	313
[C]		DXR EA, rp3	297	JR word	314
CALB	316	[E]			
CALF word	317	EADD EA, r2	294		

APPENDIX C INDEX OF INSTRUCTIONS (ALPHABETICAL ORDER)

Instruction		Page	Instruction		Page	Instruction		Page
JRE	word	315	NEI	sr2, byte	281	[S]		
			NEIW	wa, byte	292	SBB	A, r	255
[L]			NOP		323	SBB	r, A	255
LBCD	word	246				SBBW	wa	286
LDAW	wa	238	[O]			SBBX	rpa	265
LDAX	rpa2	240	OFFA	A, r	262	SBCD	word	243
LDEAX	rpa3	248	OFFAW	wa	290	SBI	A, byte	274
LDED	word	246	OFFAX	rpa	269	SBI	r, byte	274
LHLD	word	247	OFFI	A, byte	284	SBI	sr2, byte	274
LSPD	word	247	OFFI	r, byte	284	SDED	word	243
LTA	A, r	260	OFFI	sr2, byte	284	SHLD	word	244
LTA	r, A	260	OFFIW	wa, byte	293	SK	f	321
LTAW	wa	289	ONA	A, r	262	SKIT	irf	322
LTAX	rpa	268	ONAW	wa	290	SKN	f	322
LTI	A, byte	280	ONAX	rpa	269	SKNIT	irf	322
LTI	r, byte	280	ONI	A, byte	283	SLL	r2	308
LTI	sr2, byte	280	ONI	r, byte	283	SLLC	r2	309
LTIW	wa, byte	291	ONI	sr2, byte	283	SLR	r2	309
LXI	rp2, word	250	ONIW	wa, byte	292	SLRC	r2	310
			ORA	A, r	257	SOFTI		318
[M]			ORA	r, A	258	SSPD	word	244
MOV	r1, A	233	ORAW	wa	288	STAW	wa	238
MOV	A, r1	233	ORAX	rpa	266	STAX	rpa2	239
MOV	sr, A	234	ORI	A, byte	277	STEAX	rpa3	245
MOV	A, sr1	234	ORI	r, byte	277	STC		305
MOV	r, word	235	ORI	sr2, byte	277	STOP		325
MOV	word, r	235	ORIW	wa, byte	291	SUB	A, r	254
MUL	r2	300				SUB	r, A	255
MVI	r, byte	236	[P]			SUBNB	A, r	256
MVI	sr2, byte	236	POP	rp1	250	SUBNB	r, A	256
MVIW	wa, byte	237	PUSH	rp1	249	SUBNBW	wa	287
MVIX	rpa1, byte	237				SUBNBX	rpa	265
			[R]			SUBW	wa	286
[N]			RET		319	SUBX	rpa	264
NEA	A, r	261	RETI		320	SUI	A, byte	273
NEA	r, A	261	RETS		319	SUI	r, byte	273
NEAW	wa	289	RLD		306	SUI	sr2, byte	273
NEAX	rpa	268	RLL	r2	307	SUINB	A, byte	275
NEGA		305	RLR	r2	308	SUINB	r, byte	275
NEI	A, byte	281	RRD		307	SUINB	sr2, byte	275
NEI	r, byte	281						

Instruction	Page
[T]	
TABLE	251
[X]	
XRA A, r	258
XRA r, A	258
XRAW wa	288
XRAX rpa	267
XRI A, byte	278
XRI r, byte	278
XRI sr2, byte	278