

MOTOROLA SEMICONDUCTOR TECHNICAL DATA

Advance Information RISC Multichip Module

The 188100 Multichip Module consists of one 88100 and two 88200's configured in a HYPERmodule™ Harvard Architecture conveniently packaged in a single 241 pin PGA package. This compact solution offers a 2x footprint savings over the three packaged PGA devices. This product is ideally suited for RISC computing platform solutions in multiprocessing and file server applications. The product is Ada compiler supported and a custom PCB is available for software development.

The 88100 is a reduced instruction set computer (RISC) microprocessor implemented with Motorola's HCMOS technology incorporating 32-bit registers, data paths, and addresses. In designing the 88100, Motorola has incorporated a high degree of fine-grain parallelism; four independent execution units, maintain separate fully concurrent execution pipelines. Most instructions operate in one machine cycle, or effective concurrent execution can be accomplished through internal pipelines in one machine cycle. A common register file provides data sharing and synchronization control among the execution units through register scoreboarding.

The 88200 is a high performance 16-Kbyte Cache Memory Management Unit (CMMU) implemented with Motorola's HCMOS technology providing zero-wait-state memory management and data caching. The memory management unit (MMU) efficiently supports a demand-page virtual memory environment with two logical address ranges (user/supervisor) of 4-Gbytes each. Translated addresses are provided by one of two logical address translation caches (ATCs), providing address translation in one clock cycle for most memory accesses. The page address translation cache (PATC) is a 56-entry, fully associative cache containing recently used translations for 4-Kbyte memory pages and is maintained by 88200 hardware.

The block address translation cache (BATC) is a 10-entry cache, loaded by software containing translations for 512-Kbyte memory blocks. The BATC translations are used for operating system software or other memory-resident instructions and data. In addition, the MMU provides access control for the two logical address spaces. The CMMU data cache is a 16-Kbyte, four-way, set-associative cache for instruction or data storage. The cache incorporates memory-update policies and cache-coherency mechanisms that support multiprocessor applications. The 88200 CMMU also includes an 88100-compatible processor bus (P-bus) interface and a memory bus (M-bus) interface.

Features of the 188100 include:

- One 88100 RISC processor and two 88200 CMMU's in a single multichip module package
- A 241 pin PGA hermetic package with a heatsink/standoff
- Twenty two pull-up resistors (10K Ω) and two pull-down resistors (10K Ω) included in the package
- 20 MHz available, 33 MHz version planned
- Ada supported
- High-Speed Interrupt Processing with Minimal Interrupt Latency
- One design supports a wide range of Microprocessor/Cache Configurations
- Increased Quality, Reliability, and Heat Dissipation
- Small Size (less than 3.25 square inches, or 8.23 square centimeters)
- Applicable with Motorola's Low Skew CMOS Clock Drivers
- Wide Range of software support, including Bus Functional Behavioral Models for the 88100 and 88200
- Printed Circuit Board implementation available for Logic Analysis and Real Time Program Analysis

HYPERmodule is a trademark of Motorola, Inc.

This document contains information on a new product. Specifications and information herein are subject to change without notice.

Military 188100



MULTICHIP MODULE

AVAILABLE AS

- 1) JAN: N/A
- 2) SMD: N/A
- 3) 883: Planned
- 4) CMP: 188100-XX/ *

* See Commercial Plus and Avionics Options:
(BR914/D)

XX = Speed in MHz (20, 33)



MOTOROLA

Features of the 88100 are as follows:

- Single-Clock Integer, Logical, Bit Field, Branch, and Store Operations
- 51 Instructions and 7 Data Types
- Fine-Grain Parallelism:
 - 4 Fully Independent Execution Units with Five Concurrent Pipelines
 - Execution Synchronized in Hardware by Scoreboard Register
- Nondestructive Register and Condition Code Model Allowing Fast Operand Access and Operand Reuse
- 32 General Purpose Registers
- Single and Double Precision IEEE 754 Floating-Point Compatibility (Up to One Operation per Clock Cycle)
- Full 32-Bit Combinational Multiplier
- Separate Data and Instruction Memory Ports (Harvard Bus Structure) Allowing Simultaneous Accesses:
 - 30-Bit Data Address Bus
 - 32-Bit Data Bus (32-Bit Word)
 - 30-Bit Instruction Address Bus (32-Bit Boundary Addressing)
 - 32-Bit Instruction Bus (Fixed Instruction Length of 32 Bits)
- Pipelined Load and Store Operations (Up to 80 Mbytes/sec at 20 MHz)
- Functional Redundancy Fault Detection
- Selectable Big-Endian or Little-Endian Byte Ordering
- Complex Instruction Sequences Easily Built from Simple Instructions by High Level Language Compiler
- Extensible Architecture Facility through Special Function Units

Features of the 88200 CMMU are as follows:

- Two Logical Address Spaces of 4-Gbytes each (User Supervisor)
- Automatically Maintained PATC and Software-Maintained BATC
- Write Protection for User and Supervisor Accesses
- Used and Modified Flags Maintained in Page Translation Tables
- 16-Kbytes, Four-way, Set-Associative Physical Cache
- Zero-Wait-State Physical Cache Accesses — Address Translation in Parallel with Cache Access
- LRU (Least Recently Used) Replacement Algorithm for each Cache Set
- Cache Entries Allocated with Copyback or Write-through Policies
- Bus Snoop Protocol Keeps the Cache Consistent with other Caches and with Main Memory
- Cache Flush and Invalidate Initial Selectively by Software and Executed Automatically by Hardware
- Cache Inhibit Flags on Area, Segment, Page, and Block Basis
- Semaphores for Efficient Multiprocessor Synchronization (In Memory and Cached)
- Data Cache and ATC's can be Flushed by any Processor or I/O Device
- Checker Mode Fault Detection (Functional Redundancy)
- Parity-Protected Memory Bus
- Cache Line Disable Flags

For detailed information on Motorola's 88100 and 88200 chip set please refer to the following documentation:

- MC88100UM/AD Rev 1 MC88100 RISC Microprocessor User's Manual, Second Edition
- MC88200UM/AD Rev 1 MC88200 Cache Memory Management Unit User's Manual, Second Edition
- MC88100/D MC88100 Technical Summary 32-Bit RISC Microprocessor
- MC88200/D MC88200 Technical Summary 16-Kbyte Cache/Memory Management Unit (CMMU)
- 88KSUPPAK/D 88000 Software and Support "The Source"
- M88KPAK/D 88000 Family Information
- HM88KUM/D2 HM88K HYPERmodule 32-Bit RISC Processor Mezzanine Module User's Manual

MAXIMUM RATINGS			
Parameter	Symbol	Value	Unit
Supply Voltage	V _{CC}	- 0.3 to + 7.0	V
Input Voltage	V _{IN}	- 0.3 to + 7.0	V
Operating Temperature	T _A	- 55 to + 125	°C
Storage Temperature Range	T _{STG}	- 55 to + 150	°C

THERMAL CHARACTERISTICS — PGA PACKAGE			
Parameter	Symbol	Value	Unit
Thermal Resistance — Ceramic		Preliminary	°C/W
Junction to Ambient	θ _{JA}	3.3	
Junction to Case	θ _{JC}	2.2	

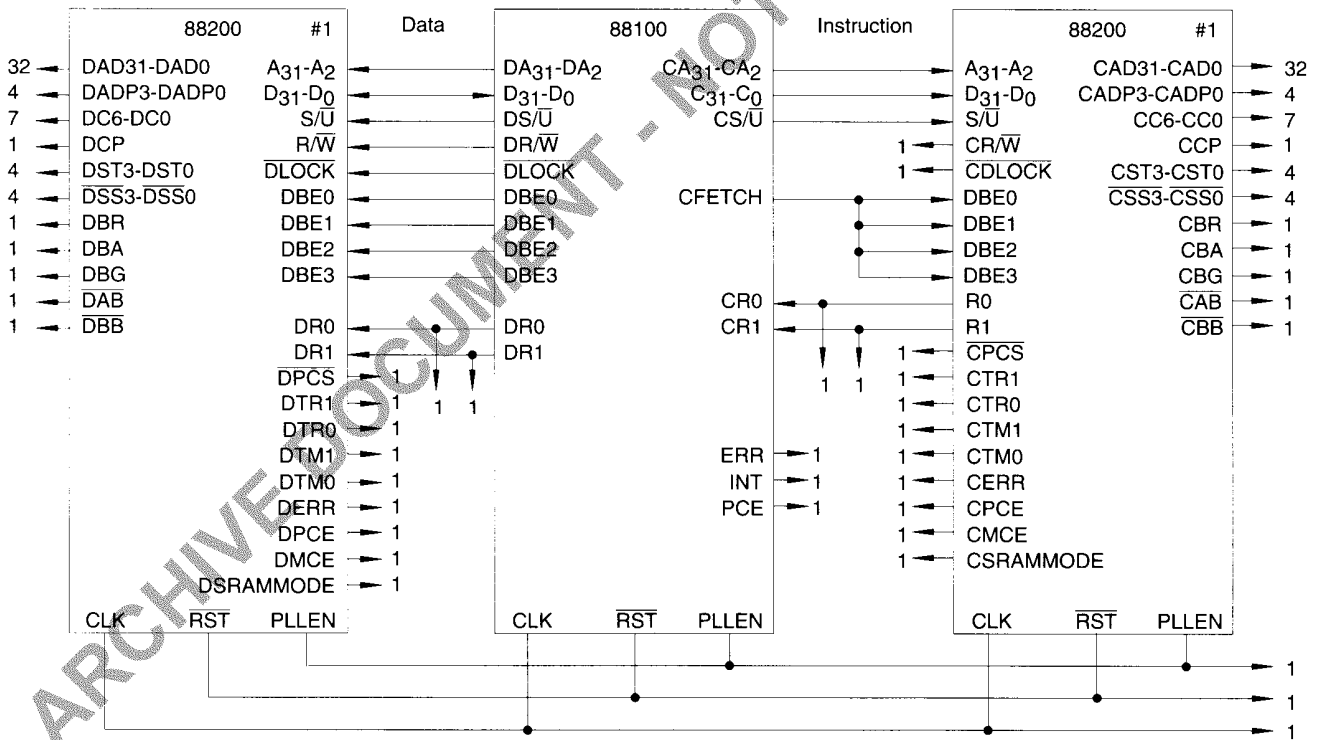
DC CHARACTERISTICS

($V_{CC} = 5 V_{dc} \pm 5\%$, $GND = 0 V_{dc}$, $T_A = -55^\circ C$ to $+125^\circ C$)

Characteristic	Symbol	Min	Max	Unit
Clock Low Voltage	V_{CL}	-0.3	$0.2 V_{CC}$	V
Clock High Voltage	V_{CH}	$-0.8 V_{CC}$	$V_{CC} + 0.3$	V
Input Low Voltage (All Inputs Except CLK)	V_{IL}	-0.3	0.8	V
Input High Voltage (All Inputs Except CLK)	V_{IH}	2.0	$V_{CC} + 0.3$	V
Output Low Voltage @ 8 mA I_{OL}	V_{OL}	—	0.5	V
Output High Voltage @ -4 mA I_{OH}	V_{OH}	2.4	—	V
Input Leakage Current	I_{IN}	—	10	μA
High-Impedance Leakage Current	I_{TSI}	—	20	μA
Typical Power Dissipation ($T_A = 0^\circ C$)	P_D	—	1.5 1.8	W
Input Capacitance ($V_{IN} = 0 V$, $T_A = 25^\circ C$, $f = 1 MHz$)	C_i	—	15	pF
Output Capacitance ($V_{IN} = 0 V$, $T_A = 25^\circ C$, $f = 1 MHz$)	C_o	—	15	pF
Output Load Capacitance	C_L	All P-bus Outputs All M-bus Outputs	70 130	pF
AC Output Delay Derating (See Note)	C_{LD}	—	1	ns/25 pF

Note: Only applies when exceeding the specified output load capacitance (C_L). Absolute output load capacitance, per output for correct device operation, must be less than or equal to 120 pF for P-bus and 180 pF for M-bus.

188100 Block Diagram



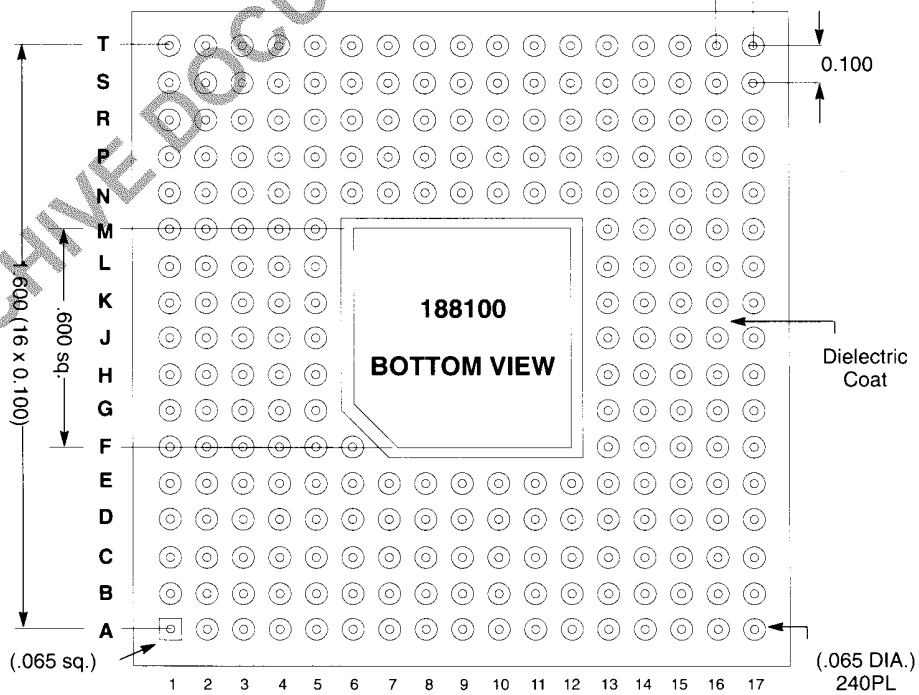
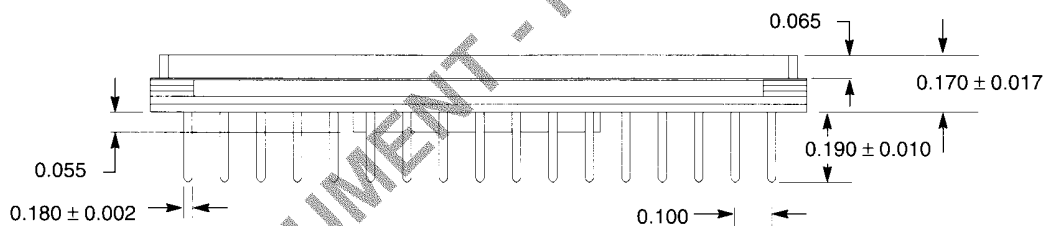
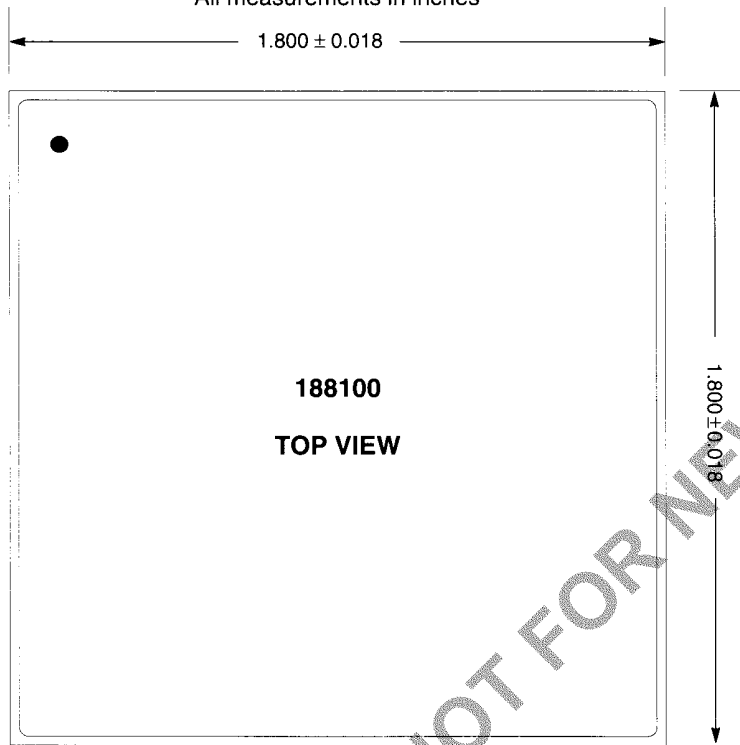
Twenty two pull-up resistors (10K), and two pull-down resistors (10K) exposed as pins.

Total pins 241 with 15 NC's, 24 V_{CC} , 34 GND, 24 pull-up/down resistors and 144 signals.

PIN GRID ARRAY (PGA)

Package Information


All measurements in inches



**Pin Grid Array Package
Pin Assignment Table**

Pin	Function	Pin	Function	Pin	Function	Pin	Function	Pin	Function	Pin	Function	Pin	Function	Pin	Function
A1	VSS	B15	CC3	D12	CST2	F15	CAD29	J16	CAD17	M17	VDD	P14	PU	S11	VSS
A2	VDD	B16	VSS	D13	CBR	F16	VSS	J17	VSS	N1	DAD3	P15	PU	S12	VSS
A3	DSS1	B17	VDD	D14	CC2	F17	VDD	K1	DAD13	N2	DAD2	P16	N.C.	S13	PU
A4	DPCS	C1	DBA	D15	CADP0	G1	DAD25	K2	DAD14	N3	DAD1	P17	N.C.	S14	PU
A5	DBB	C2	DAB	D16	CADP1	G2	VSS	K3	DAD15	N4	DAD0	R1	N.C.	S15	PU
A6	VDD	C3	DST1	D17	CADP2	G3	DAD26	K4	DAD12	N5	N.C.	R2	RESET	S16	VSS
A7	DADP0	C4	DST3	E1	DC5	G4	DAD27	K5	DAD11	N6	N.C.	R3	N.C.	S17	VDD
A8	DADP3	C5	DSMODE	E2	VSS	G5	DAD28	K13	CAD15	N7	N.C.	R4	N.C.	T1	VSS
A9	VSS	C6	DC3	E3	DC6	G13	CAD28	K14	CAD14	N8	N.C.	R5	N.C.	T2	VDD
A10	CBG	C7	DCP	E4	DC0	G14	CAD27	K15	CAD11	N9	CPCE	R6	N.C.	T3	CCRO
A11	CSS0	C8	DTR1	E5	DC1	G15	CAD26	K16	CAD12	N10	PU	R7	N.C.	T4	N.C.
A12	VDD	C9	CPCS	E6	DSS2	G16	VSS	K17	CAD13	N11	PU	R8	CLK	T5	N.C.
A13	CST3	C10	CBB	E7	DC2	G17	CAD25	L1	DAD10	N12	PU	R9	N.C.	T6	VDD
A14	C2ERR	C11	CSS1	E8	DADP2	H1	DAD22	L2	VSS	N13	CAD0	R10	PD	T7	N.C.
A15	CC4	C12	CST1	E9	DTR0	H2	DAD23	L3	DAD9	N14	CAD1	R11	PU	T8	ERR
A16	VDD	C13	CTM1	E10	CMCE	H3	DAD24	L4	DAD8	N15	CAD2	R12	PU	T9	VSS
A17	VSS	C14	CC1	E11	CSS3	H4	DAD21	L5	DAD7	N16	VSS	R13	PU	T10	PU
B1	VDD	C15	CCP	E12	CST0	H5	DAD20	L13	CAD7	N17	CAD3	R14	PU	T11	PU
B2	VSS	C16	CC6	E13	CBA	H13	CAD24	L14	CAD8	P1	DPCE	R15	PU	T12	VDD
B3	DSS3	C17	CC5	E14	CADP3	H14	CAD23	L15	CAD9	P2	DR1	R16	VDD	T13	PU
B4	DBR	D1	DERR	E15	CTM0	H15	CAD20	L16	VSS	P3	DR0	R17	VDD	T14	PU
B5	DBG	D2	DTM1	E16	CTR1	H16	CAD21	L17	CAD10	P4	N.C.	S1	VDD	T15	PU
B6	VSS	D3	DST2	E17	CTR0	H17	CAD22	M1	VDD	P5	N.C.	S2	VSS	T16	VDD
B7	VSS	D4	DSS0	F1	VDD	J1	VSS	M2	VSS	P6	N.C.	S3	CCR1	T17	VSS
B8	DTM0	D5	DMCE	F2	VSS	J2	DAD18	M3	DAD6	P7	N.C.	S4	N.C.		
B9	CDLOCK	D6	DST0	F3	DAD30	J3	DAD19	M4	DAD5	P8	INT	S5	VSS		
B10	CAB	D7	DC4	F4	DAD31	J4	DAD17	M5	DAD4	P9	PCE	S6	VSS		
B11	VSS	D8	DADP1	F5	DAD29	J5	DAD16	M13	CAD6	P10	PU	S7	VSS		
B12	VSS	D9	CR/W	F6	GND	J13	CAD19	M14	CAD4	P11	PU	S8	PLLEN		
B13	VSS	D10	CSMODE	F13	CAD31	J14	CAD18	M15	CAD5	P12	PU	S9	N.C.		
B14	CC0	D11	CSS2	F14	CAD30	J15	CAD16	M16	VSS	P13	PU	S10	PD		

PRELIMINARY DOCUMENT - NOT FOR NEW DESIGN

Motorola reserves the right to make changes without further notice to any products herein. Motorola makes no warranty, representation or guarantee regarding the suitability of its products for any particular purpose, nor does Motorola assume any liability arising out of the application or use of any product or circuit, and specifically disclaims any and all liability, including without limitation consequential or incidental damages. "Typical" parameters can and do vary in different applications. All operating parameters, including "Typicals" must be validated for each customer application by customer's technical experts. Motorola does not convey any license under its patent rights nor the rights of others. Motorola products are not designed, intended, or authorized for use as components in systems intended for surgical implant into the body, or other applications intended to support or sustain life, or for any other application in which the failure of the Motorola product could create a situation where personal injury or death may occur. Should Buyer purchase or use Motorola products for any such unintended or unauthorized application, Buyer shall indemnify and hold Motorola and its officers, employees, subsidiaries, affiliates, and distributors harmless against all claims, costs, damages, and expenses, and reasonable attorney fees arising out of, directly or indirectly, any claim of personal injury or death associated with such unintended or unauthorized use, even if such claim alleges that Motorola was negligent regarding the design or manufacture of the part. Motorola and  are registered trademarks of Motorola, Inc. Motorola, Inc. is an Equal Opportunity/Affirmative Action Employer.

Literature Distribution Centers:

USA: Motorola Literature Distribution; P.O. Box 20912; Phoenix, Arizona 85036.

EUROPE: Motorola Ltd.; European Literature Centre; 88 Tanners Drive, Blakelands, Milton Keynes, MK14 5BP, England.

JAPAN: Nippon Motorola Ltd.; 4-32-1, Nishi-Gotanda, Shinagawa-ku, Tokyo 141, Japan.

ASIA PACIFIC: Motorola Semiconductors H.K. Ltd.; Silicon Harbour Center, No. 2 Dai King Street, Tai Po Industrial Estate, Tai Po, N.T., Hong Kong.



MOTOROLA

