



# **Mobile Intel<sup>®</sup> Pentium<sup>®</sup> III Processor and Mobile Intel<sup>®</sup> Pentium<sup>®</sup> III Processor-M Specification Update**

Release Date: November 2001

Order Number: 245306-024

The Mobile Pentium<sup>®</sup> III processor may contain design defects or errors known as errata which may cause the product to deviate from published specifications. Current characterized errata are documented in this Specification Update.

Information in this document is provided in connection with Intel® products.

No license, express or implied, by estoppel or otherwise, to any intellectual property rights is granted by this document.

Except as provided in Intel's Terms and Conditions of Sale for such products, Intel assumes no liability whatsoever, and Intel disclaims any express or implied warranty, relating to sale and/or use of Intel products including liability or warranties relating to fitness for a particular purpose, merchantability, or infringement of any patent, copyright or other intellectual property right.

Intel products are not intended for use in medical, life saving, or life sustaining applications.

Intel may make changes to specifications and product descriptions at any time, without notice.

Designers must not rely on the absence or characteristics of any features or instructions marked "reserved" or "undefined." Intel reserves these for future definition and shall have no responsibility whatsoever for conflicts or incompatibilities arising from future changes to them.

The Mobile Intel® Pentium® III Processor and Mobile Intel® Pentium® III Processor-M may contain design defects or errors known as errata which may cause the product to deviate from published specifications. Current characterized errata are available on request.

Contact your local Intel sales office or your distributor to obtain the latest specifications and before placing your product order.

Copies of documents which have an ordering number and are referenced in this document, or other Intel literature, may be obtained from:

Intel Corporation

[www.intel.com](http://www.intel.com)

or call 1-800-548-4725

Intel®, Pentium®, Celeron®, and Xeon™ are trademarks or registered trademarks of Intel Corporation or its subsidiaries in the United States and other countries.

\*Other names and brands may be claimed as the property of others.

Copyright © 1998-2001, Intel Corporation

## CONTENTS

REVISION HISTORY .....	ii
PREFACE .....	v
GENERAL INFORMATION.....	1
Mobile Intel® Pentium® III Processor (Micro-PGA2) Markings .....	1
Mobile Intel® Pentium® III Processor-M (Micro-FCPGA) Markings .....	1
Mobile Intel® Pentium® III Processor (BGA2) Markings.....	2
Mobile Intel® Pentium® III-M Processor (Micro-FCBGA) Markings .....	2
Intel® Pentium® III Processor Mobile Module Markings .....	3
IDENTIFICATION INFORMATION.....	5
SUMMARY OF CHANGES.....	11
Summary of Errata .....	12
Summary of Documentation Changes.....	17
Summary of Specification Clarifications.....	17
Summary of Specification Changes.....	18
ERRATA.....	19
DOCUMENTATION CHANGES.....	55
SPECIFICATION CLARIFICATIONS .....	58
SPECIFICATION CHANGES.....	60

## REVISION HISTORY

Date of Revision	Version	Description
October 1999	-001	Initial release
December 1999	-002	Added Errata K45, K46, K47, and K2MO; added Documentation Change K2; added Specification Clarification K1; added Specification Change K1; Updated the reference to the published datasheets in the Preface; updated the <i>Mobile Pentium III Processor in BGA2 and micro-PGA2 Packages Identification Information</i> table.
January 2000	-003	Added Errata K48, K49 and K50; Added Documentation change K3.
February 2000	-004	Updated the reference to the published datasheets in the Preface. ; Updated Identification Information for BGA2, micro-PGA2 packages, and mobile modules; Updated Summary of Changes Tables to include B0-step products; Revised Erratum K44; Added Erratum K51, K52; Added Documentation Change K4; Deleted Specification Clarification K1 and Specification Change K1 since these referred to the older datasheets and the new datasheets referred to in this document have already incorporated them. Updated Summary of Changes product letter codes.
March 2000	-005	Revised Errata K38, K47, K43; Added Erratum K53. Added new Specification Clarifications K1 and K2
April 2000	-006	Updated the Preface with new references; Updated the "Intel Pentium III Processor Mobile Module Markings" section; Updated Identification Information for BGA2, micro-PGA2 packages, and mobile modules; Updated Erratum K34; Added Erratum K54; Added Documentation Change K5; Added Specification Clarifications K3, K4.
May 2000	-007	Updated <i>Intel Pentium III Processor Mobile Module Identification Information</i> table. Updated Erratum K53, and added Erratum K55, K56.
June 2000	-008	Updated the Preface with new document references; Updated Identification Information for BGA2, micro-PGA2 packages, and mobile modules. Added Erratum K57.
July 2000	-009	Updated Identification Information for BGA2, micro-PGA2 packages, and mobile modules; Updated Summary of Changes Tables to include C0-step products; Added Erratum K58, K59; Updated the Specification Clarifications and Documentation Changes section by removing old items that were incorporated in the new documents referenced in this spec update; Added new Specification Clarifications K3, K4; Added Specification Change K1
August 2000	-010	Added Erratum K60.
September 2000	-011	Added Erratum K61, K62; Revised Erratum K22, K43, K52; Added Documentation Changes K5, K6
October 2000	-012	Updated the list of referenced documents in the preface; Updated Identification Information for BGA2, micro-PGA2 packages, and mobile modules; Added Erratum K63; Added Documentation Changes K7, K8



## REVISION HISTORY

Date of Revision	Version	Description
November 2000	-013	Added Erratum K64; Added Documentation Changes K9.
December 2000	-014	Updated Specification Update product key to include the Intel® Pentium® 4 processor, Revised Erratum K2; Added Documentation Changes K10 thru K15
January 2001	-015	Revised Erratum K2; Added Documentation Changes K16, K17
February 2001	-016	Updated the Preface with new document references; Updated Identification Information for BGA2 packages; Revised Documentation Change K16 and Added K18.
March 2001	-017	Updated the Preface with new document references; Added Erratum K65 and K66; Revised Specification Clarification K4.
April 2001	-018	Updated the list of referenced documents in the preface; Updated Identification Information table, updated Summary of Errata, Summary of Documentation Changes, Summary of Specification Clarifications, and Summary of Specification Changes tables with new D0 stepping information; Changed "NoFix" plan for Erratum K38 to "Fixed" in D0 stepping; Updated the Specification Clarifications section by removing old items that were incorporated in the new documents referenced in this spec update
May 2001	-019	Updated the list of referenced documents in the preface; Updated Identification Information for BGA2, micro-PGA2 packages; Added Erratum K67; Updated the Specification Clarifications section by removing old items that were incorporated in the new documents referenced in this spec update; Added Specification Clarification K1; Added new Specification Change K2.
June 2001	-020	Updated Summary of Changes; Updated the Specification Clarifications section by removing an old item that was incorporated in the new documents referenced in this spec update.
July 2001	-021	Updated the list of referenced documents in the preface; Updated Identification Information for BGA2 packages.
August 2001	-022	Updated the list of referenced documents in the preface; Added micro-FCPGA and micro-FCBGA package marking diagrams for mobile Intel Pentium III Processor-M to general information section; Added identification information for mobile Intel Pentium III Processor-M in micro-FCPGA and micro-FCBGA packages; Updated Summary of Changes; Added Erratum K68, K69 and K70; Revised Erratum K52 for mobile Intel Pentium III Processor-M to Fixed; Added Note to Summary of Errata table; Updated the Documentation Changes by removing old items that were incorporated in the new documents references in this spec update; Added Documentation Change K19.

## REVISION HISTORY

Date of Revision	Version	Description
October 2001	-023	Updated the list of referenced documents in the preface; Added identification information for mobile Intel Pentium III Processor-M in micro-FCPGA and micro-FCBGA packages; Updated the Documentation Changes by removing old items that were incorporated in the new documents references in this spec update; Added Specification Clarification K1; Updated the Celeron® mark to a registered trademark.
November 2001	-024	Updated Summary of Changes; Added Documentation Change K2, K3, K4, K5, and K6.

## PREFACE

This document is an update to the specifications contained in the following documents:

- *Mobile Intel® Pentium® III Processor-M datasheet (298340-002)*
- *Mobile Pentium® III Processor in BGA2 and Micro-PGA2 Packages at 1 GHz, 900 MHz, 850 MHz, 800 MHz, 750 MHz, 700 MHz, Low Voltage 750 MHz, Low Voltage 700 MHz, Low voltage 600 MHz, Ultra Low Voltage 600 MHz and Ultra Low Voltage 500 MHz datasheet (Order Number 283653-002)*
- *Pentium® III Processor Mobile Module Connector 2 (MMC2) datasheet (Order Number 245304)*
- *Pentium® III Processor Mobile Module: Mobile Module Connector 2 (MMC2) Featuring Intel® SpeedStep™ Technology datasheet (Order Number 243356-06)*
- *Intel Architecture Software Developer's Manual, Volumes 1, 2, and 3 (Order Numbers 243190, 243191, and 243192, respectively).*
- *P6 Family of Processors Hardware Developer's Manual (Order Number 244001)*

This document is intended for hardware system manufacturers and software developers of applications, operating systems, or tools. It contains Errata, Documentation Changes, Specification Clarifications, and Specification Changes.

### **Nomenclature**

**S-Spec Number** is a five-digit code used to identify products. Products are differentiated by their unique characteristics, e.g., core speed, L2 cache size, package type, etc. as described in the processor identification information table. Care should be taken to read all notes associated with each S-Spec number.

**Errata** are design defects or errors. Errata may cause the processor's behavior to deviate from published specifications. Hardware and software designed to be used with any given processor must assume that all errata documented for that processor are present on all devices unless otherwise noted.

**Documentation Changes** include errors (including typographical), or omissions from the current published specifications. These changes will be incorporated in the next release of the appropriate documentation(s).

**Specification Clarifications** describe a specification in greater detail or further highlight a specification's impact to a complex design situation. These clarifications will be incorporated in the next release of the appropriate documentation(s).

**Specification Changes** are modifications to the current published specifications for the processor. These changes will be incorporated in the next release of the appropriate documentation(s).



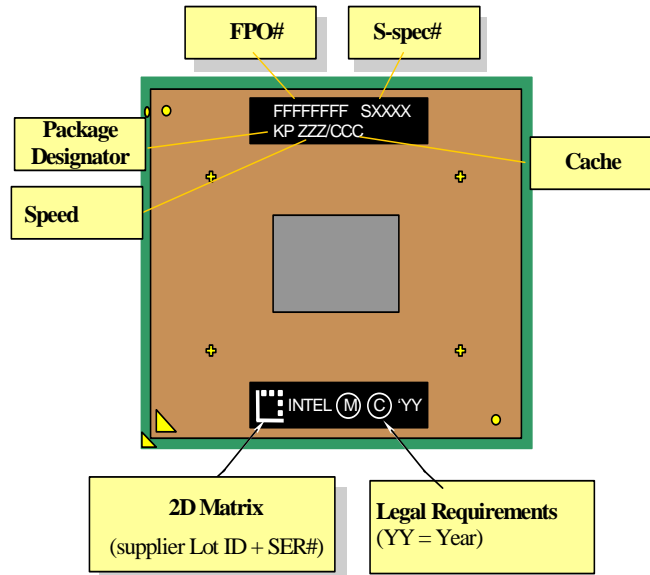


**Mobile Pentium® III Processor and Mobile Pentium® III  
Processor-M Specification Update**

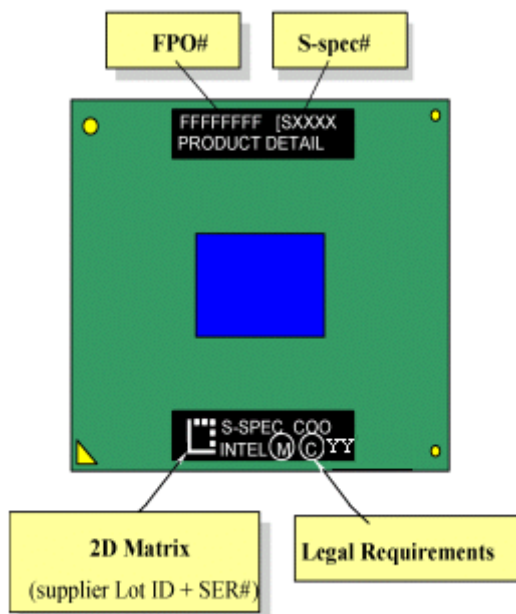


## GENERAL INFORMATION

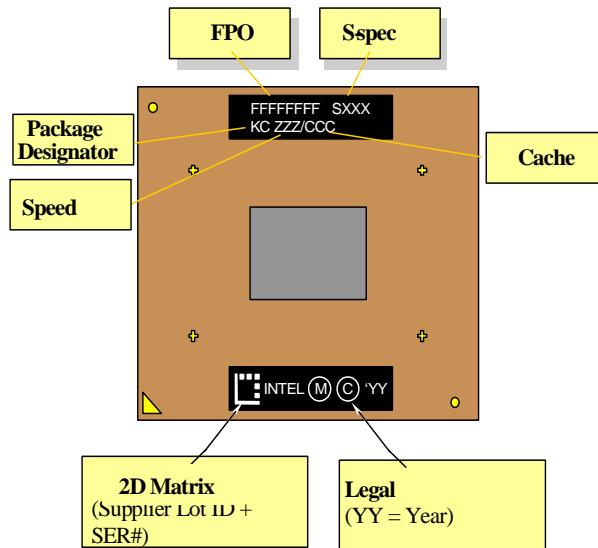
### Mobile Intel® Pentium® III Processor (Micro-PGA2) Markings



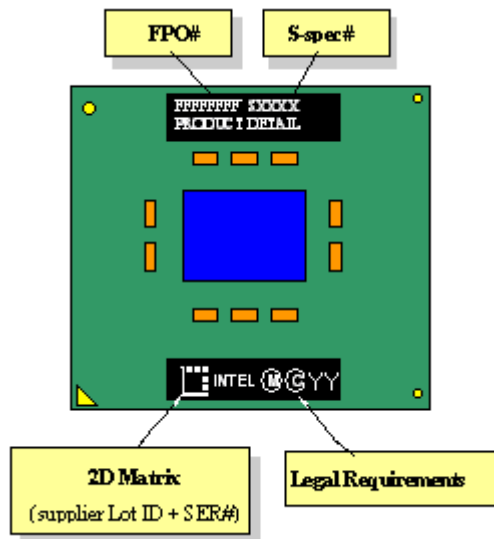
### Mobile Intel® Pentium® III Processor-M (Micro-FCPGA) Markings



**Mobile Intel® Pentium®III Processor (BGA2) Markings**



**Mobile Intel® Pentium®III-M Processor (Micro-FCBGA) Markings**



### **Intel® Pentium® III Processor Mobile Module Markings**

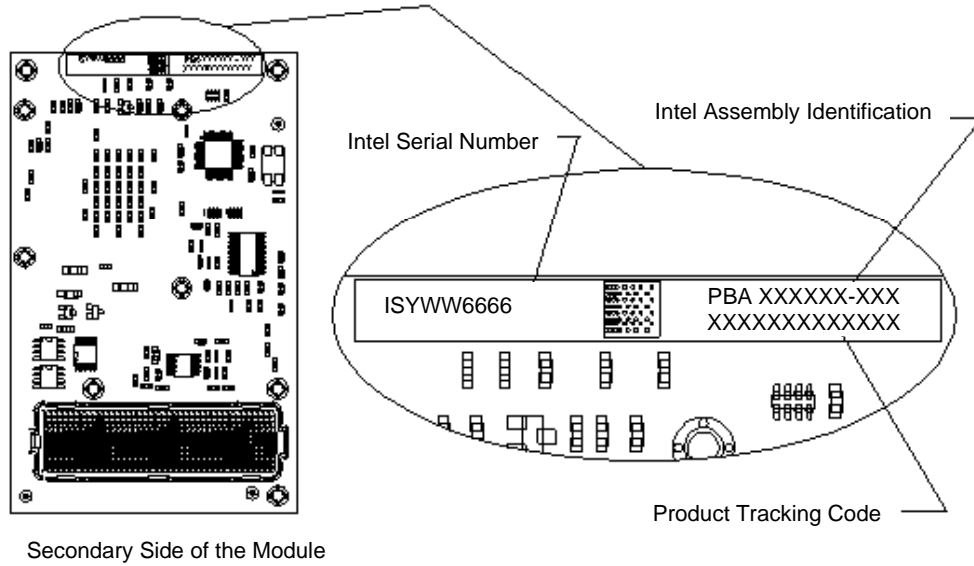
The Product Tracking Code (PTC) shows the assembly level of the module. The PTC is on the secondary side of the module and contains 13 characters. See the example below:

Example: **PMM85002201AA**

		<b>AABCCCDDEEEFF</b>	
•	Definition:	AA	- Processor Module = PM
		B	- Intel® Pentium® III Processor Mobile Module =L - Pentium® III Processor Mobile Module Featuring Intel® SpeedStep™ Technology = M
		CCC	- Speed Identity = 850/700, 800/650, 750/600, 700/550, 650/500, 600/500, 500 or 450, etc
		DD	- Cache Size = 02 (256 KB)
		EEE	- Notifiable Design Revision (Start at 001)
		FF	- Notifiable Processor Revision (Start at AA)

Note: For other Intel Mobile Modules, the second field (B) is defined as:

- Pentium® II Processor Mobile Module (MMC-1) = D
- Pentium® II Processor Mobile Module (MMC-2) = E
- Pentium® II Processor Mobile Module With On-die Cache (MMC-1) = F
- Pentium® II Processor Mobile Module With On-die Cache (MMC-2) = G
- Celeron® Processor Mobile Module (MMC-1) = H
- Celeron® Processor Mobile Module (MMC-2) = I
- Celeron® Processor (.18µ) Mobile Module (MMC-2) = N





## IDENTIFICATION INFORMATION

The mobile Intel Pentium III processor can be identified by the following values:

Family <sup>1</sup>	Model <sup>2</sup>	Brand ID <sup>3</sup>
0110	1000	00000010

**NOTES:**

1. The Family corresponds to bits [11:8] of the EDX register after Reset, bits [11:8] of the EAX register after the CPUID instruction is executed with a 1 in the EAX register, and the generation field of the Device ID register accessible through Boundary Scan.
2. The Model corresponds to bits [7:4] of the EDX register after Reset, bits [7:4] of the EAX register after the CPUID instruction is executed with a 1 in the EAX register, and the model field of the Device ID register accessible through Boundary Scan.
3. The Brand ID is returned by the CPUID instruction in the EBX[7:0] when CPUID is executed with the value of 1 in the EAX.

The Mobile Intel Pentium III Processor-M can be identified by the following values:

Family <sup>1</sup>	Model <sup>2</sup>	Brand ID <sup>3</sup>
0110	1011	00000110

**NOTES:**

1. The Family corresponds to bits [11:8] of the EDX register after Reset, bits [11:8] of the EAX register after the CPUID instruction is executed with a 1 in the EAX register, and the generation field of the Device ID register accessible through Boundary Scan.
2. The Model corresponds to bits [7:4] of the EDX register after Reset, bits [7:4] of the EAX register after the CPUID instruction is executed with a 1 in the EAX register, and the model field of the Device ID register accessible through Boundary Scan.
3. The Brand ID is returned by the CPUID instruction in the EBX[7:0] when CPUID is executed with the value of 1 in the EAX.


**Mobile Intel® Pentium® III Processor in BGA2 and micro-PGA2 Packages Identification Information**

S-Spec	Product Stepping	CPUID	Speed (MHz) Core/Bus	Integrated L2 Size (Kbytes)	Package	Notes
SL3DU	BA2	0681h	400(F)/100	256	BGA2	1
SL43K	BB0	0683h	400(F)/100	256	BGA2	1
SL3PK	BA2	0681h	500(F)/100	256	BGA2	1
SL43Z	BB0	0683h	500(F)/100	256	BGA2	1
SL3KX	BA2	0681h	450(F)/100	256	BGA2	2
SL43L	BB0	0683h	450(F)/100	256	BGA2	2
SL3DT	BA2	0681h	500(F)/100	256	BGA2	2
SL43M	BB0	0683h	500(F)/100	256	BGA2	2
SL3PH	BA2	0681h	600-500(S)/100	256	BGA2	3
SL43Y	BB0	0683h	600-500(S)/100	256	BGA2	3
SL4GH	BB0	0683h	600-500(S)/100	256	BGA2	4
SL3PG	BA2	0681h	650-500(S)/100	256	BGA2	3
SL43X	BB0	0683h	650-500(S)/100	256	BGA2	3
SL3Z7	BB0	0683h	700-550(S)/100	256	BGA2	3
SL4AS	BB0	0683h	750-600(S)/100	256	BGA2	3
SL4JN	BC0	0686h	400(F)/100	256	BGA2	1
SL4JA	BC0	0686h	450(F)/100	256	BGA2	2
SL4JB	BC0	0686h	500(F)/100	256	BGA2	2
SL4JP	BC0	0686h	500(F)/100	256	BGA2	1
SL4ZH	BC0	0686h	500-300(S)/100	256	BGA2	5
SL4JH	BC0	0686h	600-500(S)/100	256	BGA2	3
SL4JM	BC0	0686h	600-500(S)/100	256	BGA2	4
SL4JJ	BC0	0686h	650-500(S)/100	256	BGA2	3
SL56R	BC0	0686h	700-500(S)/100	256	BGA2	4
SL4JK	BC0	0686h	700-550(S)/100	256	BGA2	3
SL4JL	BC0	0686h	750-600(S)/100	256	BGA2	3
SL4AK	BC0	0686h	800-650(S)/100	256	BGA2	3
SL4AG	BC0	0686h	850-700(S)/100	256	BGA2	3
SL59H	BC0	0686h	900-700(S)/100	256	BGA2	6
SL5P4	BD0	068Ah	500-300(S)/100	256	BGA2	5





## Mobile Intel® Pentium® III Processor in BGA2 and micro-PGA2 Packages Identification Information

S-Spec	Product Stepping	CPUID	Speed (MHz) Core/Bus	Integrated L2 Size (Kbytes)	Package	Notes
SL5V4	BD0	068Ah	600-300(S)/100	256	BGA2	8
SL588	BD0	068Ah	600-300(S)/100	256	BGA2	5
SL54D	BD0	068Ah	700-500(S)/100	256	BGA2	4
SL583	BD0	068Ah	750-500(S)/100	256	BGA2	4
SL54A	BD0	068Ah	750-600(S)/100	256	BGA2	3
SL548	BD0	068Ah	800-650(S)/100	256	BGA2	3
SL547	BD0	068Ah	850-700(S)/100	256	BGA2	3
SL54G	BD0	068Ah	900-700(S)/100	256	BGA2	6
SL54F	BD0	068Ah	1000-700(S)/100	256	BGA2	6
SL5TB	BD0	068Ah	1000-700(S)/100	256	BGA2	7
SL3LG	PA2	0681h	450(F)/100	256	Micro-PGA2	2
SL43N	PB0	0683h	450(F)/100	256	Micro-PGA2	2
SL3DW	PA2	0681h	500(F)/100	256	Micro-PGA2	2
SL43P	PB0	0683h	500(F)/100	256	Micro-PGA2	2
SL3PM	PA2	0681h	600-500(S)/100	256	Micro-PGA2	3
SL443	PB0	0683h	600-500(S)/100	256	Micro-PGA2	3
SL3PL	PA2	0681h	650-500(S)/100	256	Micro-PGA2	3
SL442	PB0	0683h	650-500(S)/100	256	Micro-PGA2	3
SL3Z8	PB0	0683h	700-550(S)/100	256	Micro-PGA2	3
SL44T	PB0	0683h	750-600(S)/100	256	Micro-PGA2	3
SL4JQ	PC0	0686h	450(F)/100	256	Micro-PGA2	2
SL4JR	PC0	0686h	500(F)/100	256	Micro-PGA2	2
SL4JX	PC0	0686h	600-500(S)/100	256	Micro-PGA2	3
SL4JY	PC0	0686h	650-500(S)/100	256	Micro-PGA2	3
SL4JZ	PC0	0686h	700-550(S)/100	256	Micro-PGA2	3
SL4K2	PC0	0686h	750-600(S)/100	256	Micro-PGA2	3
SL4GT	PC0	0686h	800-650(S)/100	256	Micro-PGA2	3
SL4AH	PC0	0686h	850-700(S)/100	256	Micro-PGA2	3
SL59J	PC0	0686h	900-700(S)/100	256	Micro-PGA2	6
SL53P	PD0	068Ah	750-600(S)/100	256	Micro-PGA2	3
SL53M	PD0	068Ah	800-650(S)/100	256	Micro-PGA2	3

**Mobile Intel® Pentium® III Processor in BGA2 and micro-PGA2 Packages Identification Information**

S-Spec	Product Stepping	CPUID	Speed (MHz) Core/Bus	Integrated L2 Size (Kbytes)	Package	Notes
SL53L	PD0	068Ah	850-700(S)/100	256	Micro-PGA2	3
SL53T	PD0	068Ah	900-700(S)/100	256	Micro-PGA2	6
SL53S	PD0	068Ah	1000-700(S)/100	256	Micro-PGA2	6
SL5TF	PD0	068Ah	1000-700(S)/100	256	Micro-PGA2	7

**NOTES:**

1. VID[4:0] = 01101; V<sub>CC\_CORE</sub> = 1.35V
  2. VID[4:0] = 01000; V<sub>CC\_CORE</sub> = 1.60V
  3. VID[4:0] = 01101; V<sub>CC\_CORE</sub> = 1.60V for Maximum Performance Mode; V<sub>CC\_CORE</sub> = 1.35V for Battery Optimized Mode
  4. VID[4:0] = 10111; V<sub>CC\_CORE</sub> = 1.35V for Maximum Performance Mode; V<sub>CC\_CORE</sub> = 1.10V for Battery Optimized Mode
  5. VID[4:0] = 11100; V<sub>CC\_CORE</sub> = 1.10V for Maximum Performance Mode; V<sub>CC\_CORE</sub> = 0.975V for Battery Optimized Mode
  6. VID[4:0] = 01101; V<sub>CC\_CORE</sub> = 1.70V for Maximum Performance Mode; V<sub>CC\_CORE</sub> = 1.35V for Battery Optimized Mode; Junction Temperature (T<sub>j</sub>)= 100°C
  7. VID[4:0] = 01101; V<sub>CC\_CORE</sub> = 1.70V for Maximum Performance Mode; V<sub>CC\_CORE</sub> = 1.35V for Battery Optimized Mode; Junction Temperature (T<sub>j</sub>)= 92°C
  8. VID[4:0] = 11100; V<sub>CC\_CORE</sub> = 1.15V for Maximum Performance Mode; V<sub>CC\_CORE</sub> = 0.975V for Battery Optimized Mode
- F. Fixed Core frequency
- S. Intel® SpeedStep™ Technology



Mobile Intel® Pentium® III Processor-M in micro-FCBGA and micro-FCPGA Packages Identification Information						
S-Spec	Product Stepping	CPUID	Speed (MHz) Core/Bus	Integrated L2 Size (Kbytes)	Package	Notes
SL5CL	FPA1	06B1h	1200-800(S)/133	512	Micro-FCPGA	1
SL5CK	FPA1	06B1h	1133-733(S)/133	512	Micro-FCPGA	1
SL5CJ	FPA1	06B1h	1066-733(S)/133	512	Micro-FCPGA	1
SL5CH	FPA1	06B1h	1000-733(S)/133	512	Micro-FCPGA	1
SL5CG	FPA1	06B1h	933-733(S)/133	512	Micro-FCPGA	1
SL5CF	FPA1	06B1h	866-667(S)/133	512	Micro-FCPGA	1
SL5CT	FBA1	06B1h	1200-800(S)/133	512	Micro-FCBGA	1
SL5CS	FBA1	06B1h	1133-733(S)/133	512	Micro-FCBGA	1
SL5CR	FBA1	06B1h	1066-733(S)/133	512	Micro-FCBGA	1
SL5CQ	FBA1	06B1h	1000-733(S)/133	512	Micro-FCBGA	1
SL5CP	FBA1	06B1h	933-733(S)/133	512	Micro-FCBGA	1
SL5CN	FBA1	06B1h	866-667(S)/133	512	Micro-FCBGA	1
SL5QP	FBA1	06B1h	800-533(S)/133	512	Micro-FCBGA	2
SL5QQ	FBA1	06B1h	800A-500(S)/100	512	Micro-FCBGA	2
SL5QR	FBA1	06B1h	750-450(S)/100	512	Micro-FCBGA	2
SL5QT	FBA1	06B1h	700-300(S)/100	512	Micro-FCBGA	3

**NOTES:**

1. VID[4:0] = 01100; VCC\_CORE = 1.15V for Battery Optimized Mode; VID[4:0] = 01000; VCC\_CORE = 1.40V for Maximum Performance Mode.
2. VID[4:0] = 01110; VCC\_CORE = 1.05V for Battery Optimized Mode; VID[4:0] = 01100; VCC\_CORE = 1.15V for Maximum Performance Mode.
3. VID[4:0] = 10001; VCC\_CORE = 0.95V for Battery Optimized Mode; VID[4:0] = 01101; VCC\_CORE = 1.10V for Maximum Performance Mode.
- S. Intel® SpeedStep™ Technology

The Processor Serial Number feature has been disabled for the mobile Intel Pentium III Processor-M.

## Intel® Pentium® III Processor Mobile Module Identification Information

PTC	Product Stepping	CPUID	Speed (MHz) Core/Bus	Integrated L2 Size (Kbytes)	Package	Notes
PML45002001AA	MA2	0681h	450(F)/100	256	MMC-2	1
PML50002001AA	MA2	0681h	500(F)/100	256	MMC-2	1
PMM60002001AA	MA2	0681h	600-500(S)/100	256	MMC-2	2
PMM65002001AA	MA2	0681h	650-500(S)/100	256	MMC-2	2
PML45002101AB	MB0	0683h	450(F) /100	256	MMC-2	2
PML50002101AB	MB0	0683h	500(F) /100	256	MMC-2	2
PMM60002101AB	MB0	0683h	600-500(S) /100	256	MMC-2	2
PMM65002101AB	MB0	0683h	650-500(S) /100	256	MMC-2	2
PMM70002101AA	MB0	0683h	700-550(S) /100	256	MMC-2	2
PMM75002101AA	MB0	0683h	750-600(S) /100	256	MMC-2	2
PML45002201AC	MC0	0686h	450(F) / 100	256	MMC-2	1
PML50002201AC	MC0	0686h	500(F) / 100	256	MMC-2	1
PMM60002201AC	MC0	0686h	600-500(S) / 100	256	MMC-2	2
PMM65002201AC	MC0	0686h	650-500(S) / 100	256	MMC-2	2
PMM70002201AB	MC0	0686h	700-550(S) / 100	256	MMC-2	2
PMM75002201AB	MC0	0686h	750-600(S) / 100	256	MMC-2	2
PMM80002201AA	MC0	0686h	800-650(S) / 100	256	MMC-2	2
PMM85002201AA	MC0	0686h	850-700(S) / 100	256	MMC-2	2

## NOTES:

1.  $V_{CC\_CORE}$  voltage is 1.6 V.
2.  $V_{CC\_CORE} = 1.60V$  for Maximum Performance Mode;  $V_{CC\_CORE} = 1.35V$  for Battery Optimized Mode
- F. Fixed Core frequency
- S. Intel® SpeedStep™ Technology

## SUMMARY OF CHANGES

The following table indicates the Errata, Documentation Changes, Specification Clarifications, or Specification Changes that apply to mobile Pentium III processors. Intel intends to fix some of the errata in a future stepping of the component, and to account for the other outstanding issues through documentation or specification changes as noted. This table uses the following notations:

### CODES USED IN SUMMARY TABLE

X:	Specification Change, Erratum, Specification Clarification, or Documentation Change applies to the given processor stepping.
(No mark) or (blank box):	This item is fixed in or does not apply to the given stepping.
Doc:	Intel intends to update the appropriate documentation in a future revision.
Fix:	This erratum is intended to be fixed in a future stepping of the component.
Fixed:	This erratum has been previously fixed.
NoFix:	There are no plans to fix this erratum.
Doc:	Intel intends to update the appropriate documentation in a future revision.
AP:	APIC related erratum.
MO:	Mobile processor only erratum
PKG:	This column refers to errata on the mobile Pentium III processor substrate.
Shaded:	This item is either new or modified from the previous version of the document.

Each Specification Update item will be prefixed with a capital letter to distinguish the product. The key below details the letters that are used in Intel's microprocessor Specification Updates:

A = Intel® Pentium® II processor

B = Mobile Intel® Pentium® II processor

C = Intel® Celeron® processor

D = Intel® Pentium® II Xeon™ processor

E = Intel® Pentium® III processor

G = Intel® Pentium® III Xeon™ processor

H = Mobile Intel® Celeron® processor at 466 MHz, 433 MHz, 400 MHz, 366 MHz, 333 MHz, 300 MHz, and 266 MHz

K = Mobile Intel® Pentium® III processor

M = Mobile Intel® Celeron® processor at 500 MHz, 450 MHz, and 400A MHz

N = Intel® Pentium® 4 processor

P = Intel® Xeon™ processor

The Specification Updates for the Pentium® processor, Pentium® Pro processor, and other Intel products do not use this convention.

## SUMMARY OF ERRATA

NO.	B A 2	P A 2	M A 2	B B 0	P B 0	M B 0	B C 0	P C 0	M C 0	B D 0	P D 0	F B A 1	F P A 1	Plans	ERRATA
K1	X	X	X	X	X	X	X	X	X	X	X	X	X	NoFix	FP data operand pointer may be incorrectly calculated after FP access which wraps 64-Kbyte boundary in 16-bit code
K2	X	X	X	X	X	X	X	X	X	X	X	X	X	NoFix	Differences exist in debug exception reporting
K3	X	X	X	X	X	X	X	X	X	X	X	X	X	NoFix	Code fetch matching disabled debug register may cause debug exception
K4	X	X	X	X	X	X	X	X	X	X	X	X	X	NoFix	Double ECC error on read may result in BINIT#
K5	X	X	X	X	X	X	X	X	X	X	X	X	X	NoFix	FP inexact-result exception flag may not be set
K6	X	X	X	X	X	X	X	X	X	X	X	X	X	NoFix	BTM for SMI will contain incorrect FROM EIP
K7	X	X	X	X	X	X	X	X	X	X	X	X	X	NoFix	I/O restart in SMM may fail after simultaneous MCE
K8	X	X	X	X	X	X	X	X	X	X	X	X	X	NoFix	Branch traps do not function if BTMs are also enabled
K9	X	X	X	X	X	X	X	X	X	X	X	X	X	NoFix	Machine check exception handler may not always execute successfully
K10	X	X	X	X	X	X	X	X	X	X	X	X	X	NoFix	MCE due to L2 parity error gives L1 MCACOD.LL
K11	X	X	X	X	X	X	X	X	X	X	X	X	X	NoFix	LBER may be corrupted after some events
K12	X	X	X	X	X	X	X	X	X	X	X	X	X	NoFix	BTMs may be corrupted during simultaneous L1 cache line replacement
K13	X	X	X	X	X	X	X	X	X	X	X	X	X	NoFix	Near CALL to ESP creates unexpected EIP address
K14	X	X	X	X	X	X	X	X	X	X	X	X	X	NoFix	Memory type undefined for non-memory operations
K15	X	X	X	X	X	X	X	X	X	X	X	X	X	NoFix	FP data operand pointer may not be zero after power on or Reset
K16	X	X	X	X	X	X	X	X	X	X	X	X	X	NoFix	MOVD following zeroing instruction can cause incorrect result

SUMMARY OF ERRATA

NO.	B A 2	P A 2	M A 2	B B 0	P B 0	M B 0	B C 0	P C 0	M C 0	B D 0	P D 0	F B A 1	F P A 1	Plans	ERRATA
K17	X	X	X	X	X	X	X	X	X	X	X	X	X	NoFix	Premature execution of a load operation prior to exception handler invocation
K18	X	X	X	X	X	X	X	X	X	X	X	X	X	NoFix	Read portion of RMW instruction may execute twice
K19	X	X	X	X	X	X	X	X	X	X	X	X	X	NoFix	MC2_STATUS MSR has model-specific error code and machine check architecture error code reversed
K20	X	X	X	X	X	X	X	X	X	X	X	X	X	NoFix	MOV with debug register causes debug exception
K21	X	X	X	X	X	X	X	X	X	X	X	X	X	NoFix	Upper four PAT entries not usable with Mode B or Mode C paging
K22	X	X	X	X	X	X	X	X	X	X	X	X	X	NoFix	Data breakpoint exception in a displacement relative near call may corrupt EIP
K23	X	X	X	X	X	X	X	X	X	X	X	X	X	NoFix	RDMSR and WRMSR to invalid MSR may not cause GP fault
K24	X	X	X	X	X	X	X	X	X	X	X	X	X	NoFix	SYSENTER/SYSEXIT instructions can implicitly load null segment selector to SS and CS registers
K25	X	X	X	X	X	X	X	X	X	X	X	X	X	NoFix	PRELOAD followed by EXTEST does not load boundary scan data
K26	X	X	X	X	X	X	X	X	X	X	X	X	X	NoFix	INT 1 instruction handler execution could generate a debug exception
K27	X	X	X	X	X	X	X	X	X	X	X	X	X	NoFix	Misaligned Locked access to APIC space results in a hang
K28	X	X	X	X	X	X	X	X	X	X	X	X	X	NoFix	Processor may assert DRDY# on a write with no data.
K29	X	X	X	X	X	X	X	X	X	X	X	X	X	NoFix	GP# Fault on WRMSR to ROB_CR_BKUPTMPDR6
K30	X	X	X	X	X	X								Fixed	Machine check exception may occur due to improper line eviction in the IFU
K31	X	X	X											Fixed	Performance counters include streaming SIMD extensions L1 prefetch

## SUMMARY OF ERRATA

NO.	B A 2	P A 2	M A 2	B B 0	P B 0	M B 0	B C 0	P C 0	M C 0	B D 0	P D 0	F B A 1	F P A 1	Plans	ERRATA
K32	X	X	X											Fixed	Processor will erroneously report a BIST failure
K33														Fix	Internal snooping mechanism causes livelock condition
K34														Fixed	Cache coherency may be lost if snoop occurs during cache line invalidation
K35														Fix	Extra DRDY# assertion when eviction back-to-back write combining lines
K36	X	X	X											Fixed	ECC detection and correction issue
K37	X	X	X											Fixed	L2_LD and L2_M_LINES_OUTM performance-monitoring counters do not work
K38	X	X	X	X	X	X	X	X	X					Fixed	Snoop request may cause DBSY# hang
K39	X	X	X											Fixed	IFU/DCU deadlock may cause system hang
K40														Fix	WBINVD may lock write out buffer
K41	X	X	X											Fixed	L2_DBUS_BUSY performance monitoring counter will not count writes
K42	X	X	X	X	X	X	X	X	X	X	X	X	X	NoFix	Lower bits of SMRAM SMBASE register cannot be written with an ITP
K43	X	X	X											Fixed	Task switch may cause wrong PTE and PDE access bit to be set
K44	X	X	X	X	X	X	X	X	X	X	X	X	X	NoFix	Unsynchronized cross-modifying code operations can cause unexpected instruction execution results
K45	X	X	X	X	X	X								Fixed	Deadlock may occur due to illegal-instruction/page-miss combination
K46	X	X	X	X	X	X								Fixed	MASKMOVQ instruction interaction with string operation may cause deadlock
K47	X	X	X											Fixed	Noise sensitivity issue on processor SMI# pin
K48	X	X	X	X	X	X	X	X	X	X	X	X	X	NoFix	MOVD or CVTISI2SS following zeroing instruction can cause incorrect result



## SUMMARY OF ERRATA

NO.	B A 2	P A 2	M A 2	B B 0	P B 0	M B 0	B C 0	P C 0	M C 0	B D 0	P D 0	F B A 1	F P A 1	Plans	ERRATA
K49	X	X	X	X	X	X	X	X	X	X	X	X	X	NoFix	FLUSH# assertion following STPCLK# may prevent CPU clocks from stopping
K50	X	X	X											Fixed	Intermittent failure to assert ADS# during processor power-on
K51	X	X	X											Fixed	Floating-point exception signal can be deferred
K52	X	X	X	X	X	X	X	X	X	X	X			NoFix	Floating-point exception condition can be deferred
K53			X			X			X					NoFix	Race conditions may exist on thermal sensor SMBus collision detection/arbitration circuitry
K54	X	X	X	X	X	X								Fixed	Cache line reads may result in eviction of invalid data
K55	X	X	X	X	X	X	X	X	X	X	X	X	X	NoFix	Snoop probe during FLUSH# could cause L2 to be left in shared state
K56	X	X	X	X	X	X								Fixed	Livelock may occur due to IFU line eviction
K57	X	X	X											Fixed	Intermittent power-on failure due to uninitialized processor internal nodes
K58	X	X	X	X	X	X								Fixed	Selector for the LTR/LLDT register may get corrupted
K59	X	X	X	X	X	X	X	X	X	X	X	X	X	NoFix	INIT does not clear global entries in the TLB
K60	X	X	X	X	X	X	X	X	X	X	X	X	X	NoFix	VM bit is cleared on a double fault handler
K61	X	X	X	X	X	X	X	X	X	X	X	X	X	NoFix	Memory aliasing with inconsistent A and D bits may cause processor deadlock
K62	X	X	X	X	X	X	X	X	X	X	X	X	X	NoFix	Use of memory aliasing with inconsistent memory type may cause system hang
K63	X	X	X	X	X	X	X	X	X	X	X	X	X	NoFix	Processor may report invalid TSS fault instead of Double fault during mode C paging
K64	X	X	X	X	X	X	X	X	X	X	X	X	X	NoFix	Machine check exception may occur when interleaving code between different memory types

## SUMMARY OF ERRATA

NO.	B A 2	P A 2	M A 2	B B 0	P B 0	M B 0	B C 0	P C 0	M C 0	B D 0	P D 0	F B A 1	F P A 1	Plans	ERRATA
K65	X	X	X	X	X	X	X	X	X	X	X	X	X	NoFix	Wrong ESP Register Values During a Fault in VM86 Mode
K66	X	X	X	X	X	X	X	X	X	X	X	X	X	NoFix	APIC ICR Write May Cause Interrupt Not to be Sent When ICR Delivery Bit Pending
K67	X	X	X	X	X	X	X	X	X	X	X	X	X	NoFix	Processor Incorrectly Samples NMI Interrupt after RESET# Deassertion When Processor APIC is Hardware-Disabled
K68	X	X	X	X	X	X	X	X	X	X	X	X <sup>1</sup>	X <sup>1</sup>	Fix	The Instruction Fetch Unit (IFU) May Fetch Instructions Based Upon Stale CR3 Data After a Write to CR3 Register
K69										X	X			NoFix	Processor Might not Exit Sleep State Properly Upon De-assertion of CPUSLP# Signal
K70												X	X	NoFix	During Boundary Scan, BCLK Not Sampled High When DPSLP# is Asserted Low
K1MO	X	X	X	X	X	X	X	X	X					Fix	Spurious interprocessor and end-of-interrupt message generated on the APIC bus in the quick start state
K2MO	X	X	X	X	X	X	X	X	X					Fix	APIC has unpredictable interactions with the quick start state
K1AP	X	X	X	X	X	X	X	X	X	X	X	X	X	NoFix	APIC access to cacheable memory causes SHUTDOWN
K2AP	X	X	X	X	X	X	X	X	X	X	X	X	X	NoFix	Write to mask LVT (programmed as EXTINT) will not deassert outstanding interrupt

## NOTES:

1. For these steppings, this erratum may be worked around in BIOS.

**SUMMARY OF DOCUMENTATION CHANGES**

NO.	B A 2	P A 2	M A 2	B B 0	P B 0	M B 0	B C 0	P C 0	M C 0	B D 0	P D 0	F B A 1	F P A 1	Plans	Documentation Changes
K1	X	X	X	X	X	X	X	X	X	X	X			Doc	Mobile Pentium III Processor CPUID Section Update
K2	X	X	X	X	X	X	X	X	X	X	X	X	X	Doc	Machine Check Exception detected when BINIT# drive enabled
K3	X	X	X	X	X	X	X	X	X	X	X	X	X	Doc	Encoding of “Immediate to register” of “AND” instruction
K4	X	X	X	X	X	X	X	X	X	X	X	X	X	Doc	The 'reg' field of CMPXCHG8B instruction encoding must be 001
K5	X	X	X	X	X	X	X	X	X	X	X	X	X	Doc	SCAS/SCASB/SCASW/SCASD encoding operand is incorrect
K6	X	X	X	X	X	X	X	X	X	X	X	X	X	Doc	XCHG encoding operand information (1-byte form) does not have a w-bit, hence the reg size is implied. The AL register is not a valid option for this 1-byte encoding

**SUMMARY OF SPECIFICATION CLARIFICATIONS**

NO.	B A 2	P A 2	M A 2	B B 0	P B 0	M B 0	B C 0	P C 0	M C 0	B D 0	P D 0	F B A 1	F P A 1	Plans	Specification Clarifications
K1										X	X				Temperature Specification Clarification for Measuring Currents.

## SUMMARY OF SPECIFICATION CHANGES

NO.	B A 2	P A 2	M A 2	B B 0	P B 0	M B 0	B C 0	P C 0	M C 0	B D 0	P D 0	F B A 1	F P A 1	Plans	Specification Changes
K1			X			X			X					Doc	Thermal Resistance ( $\theta_{j-tp}$ ) specification change
K2										X	X			Doc	New Product Specification for Mobile Intel Pentium III Processor 1000/700 MHz at $T_j=92^{\circ}\text{C}$
K3										X					New Product Specifications for Ultra Low Voltage Mobile Intel Pentium III Processor 600 MHz

## ERRATA

### ***K1. WBINVD May Lock Write Out Buffer***

**Problem:** The FP Data Operand Pointer is the effective address of the operand associated with the last noncontrol floating-point instruction executed by the machine. If an 80-bit floating-point access (load or store) occurs in a 16-bit mode other than protected mode (in which case the access will produce a segment limit violation), the memory access wraps a 64-Kbyte boundary, and the floating-point environment is subsequently saved, the value contained in the FP Data Operand Pointer may be incorrect.

**Implication:** A 32-bit operating system running 16-bit floating-point code may encounter this erratum, under the following conditions:

- The operating system is using a segment greater than 64 Kbytes in size.
- An application is running in a 16-bit mode other than protected mode.
- An 80-bit floating-point load or store which wraps the 64-Kbyte boundary is executed.
- The operating system performs a floating-point environment store (FSAVE/FNSAVE/FSTENV/FNSTENV) after the above memory access.
- The operating system uses the value contained in the FP Data Operand Pointer.

Wrapping an 80-bit floating-point load around a segment boundary in this way is not a normal programming practice. Intel has not currently identified any software which exhibits this behavior.

**Workaround:** If the FP Data Operand Pointer is used in an OS which may run 16-bit floating-point code, care must be taken to ensure that no 80-bit floating-point accesses are wrapped around a 64-Kbyte boundary.

**Status:** For the steppings affected see the *Summary of Changes* at the beginning of this section.

## ***K2. Differences Exist in Debug Exception Reporting***

**Problem:** There exist some differences in the reporting of code and data breakpoint matches between that specified by previous Intel processor specifications and the behavior of the Mobile Intel® Pentium® III processor, as described below:

**Case 1:** The first case is for a breakpoint set on a MOVSS or POPSS instruction, when the instruction following it causes a debug register protection fault (DR7.gd is already set, enabling the fault). The processor reports delayed data breakpoint matches from the MOVSS or POPSS instructions by setting the matching DR6.bi bits, along with the debug register protection fault (DR6.bd). If additional breakpoint faults are matched during the call of the debug fault handler, the processor sets the breakpoint match bits (DR6.bi) to reflect the breakpoints matched by both the MOVSS or POPSS breakpoint and the debug fault handler call. The Mobile Intel Pentium III processor only sets DR6.bd in either situation, and does not set any of the DR6.bi bits.

**Case 2:** In the second breakpoint reporting failure case, if a MOVSS or POPSS instruction with a data breakpoint is followed by a store to memory which:

a) crosses a 4-Kbyte page boundary,

OR

b) causes the page table Access or Dirty (A/D) bits to be modified,

the breakpoint information for the MOVSS or POPSS will be lost. Previous processors retain this information under these boundary conditions.

**Case 3:** If they occur after a MOVSS or POPSS instruction, the INTn, INTO, and INT3 instructions zero the DR6.bi bits (bits B0 through B3), clearing pending breakpoint information, unlike previous processors.

**Case 4:** If a data breakpoint and an SMI (System Management Interrupt) occur simultaneously, the SMI will be serviced via a call to the SMM handler, and the pending breakpoint will be lost.

**Case 5:** When an instruction that accesses a debug register is executed, and a breakpoint is encountered on the instruction, the breakpoint is reported twice.

**Case 6:** Unlike previous versions of Intel Architecture processors, Mobile Intel Pentium III processors will not set the Bi bits for a matching disabled breakpoint unless at least one other breakpoint is enabled.

**Implication:** When debugging or when developing debuggers for a Mobile Intel Pentium III processor-based system, this behavior should be noted. Normal usage of the MOVSS or POPSS instructions (i.e., following them with a MOV ESP) will not exhibit the behavior of cases 1-3. Debugging in conjunction with SMM will be limited by case 4.

**Workaround:** Following MOVSS and POPSS instructions with a MOV ESP instruction when using breakpoints will avoid the first three cases of this erratum. No workaround has been identified for cases 4, 5, or 6.

**Status:** For the steppings affected see the *Summary of Changes* at the beginning of this section.

### ***K3. Code Fetch Matching Disabled Debug Register May Cause Debug Exception***

**Problem:** The bits L0-3 and G0-3 enable breakpoints local to a task and global to all tasks, respectively. If one of these bits is set, a breakpoint is enabled, corresponding to the addresses in the debug registers DR0-DR3. If at least one of these breakpoints is enabled, any of these registers are *disabled* (i.e.,  $L_n$  and  $G_n$  are 0), and  $RW_n$  for the disabled register is 00 (indicating a breakpoint on instruction execution), normally an instruction fetch will not cause an instruction-breakpoint fault based on a match with the address in the disabled register(s). However, if the address in a disabled register matches the address of a code fetch, which also results in a page fault, an instruction-breakpoint fault will occur.

**Implication:** The bits L0-3 and G0-3 enable breakpoints local to a task and global to all tasks, respectively. If one of these bits is set, a breakpoint is enabled, corresponding to the addresses in the debug registers DR0-DR3. If at least one of these breakpoints is enabled, any of these registers are *disabled* (i.e.,  $L_n$  and  $G_n$  are 0), and  $RW_n$  for the disabled register is 00 (indicating a breakpoint on instruction execution), normally an instruction fetch will not cause an instruction-breakpoint fault based on a match with the address in the disabled register(s). However, if the address in a disabled register matches the address of a code fetch, which also results in a page fault, an instruction-breakpoint fault will occur.

**Workaround:** The debug handler should clear breakpoint registers before they become disabled.

**Status:** For the steppings affected see the *Summary of Changes* at the beginning of this section.

### ***K4. Double ECC Error on Read May Result in BINIT#***

**Problem:** For this erratum to occur, the following conditions must be met:

- Machine Check Exceptions (MCEs) must be enabled.
- A dataless transaction (such as a write invalidate) must be occurring simultaneously with a transaction which returns data (a normal read).
- The read data must contain a double-bit uncorrectable ECC error.

If these conditions are met, the mobile Pentium III processor will not be able to determine which transaction was erroneous, and instead of generating an MCE, it will generate a BINIT#.

**Implication:** The bus will be reinitialized in this case. However, since a double-bit uncorrectable ECC error occurred on the read, the MCE handler (which is normally reached on a double-bit uncorrectable ECC error for a read) would most likely cause the same BINIT# event.

**Workaround:** Though the ability to drive BINIT# can be disabled in the mobile Pentium III processor, which would prevent the effects of this erratum, overall system behavior would not improve, since the error which would normally cause a BINIT# would instead cause the machine to shut down. No other workaround has been identified.

**Status:** For the steppings affected see the *Summary of Changes* at the beginning of this section.

## ***K5. FP Inexact-Result Exception Flag May Not Be Set***

**Problem:** When the result of a floating-point operation is not exactly representable in the destination format (1/3 in binary form, for example), an inexact-result (precision) exception occurs. When this occurs, the PE bit (bit 5 of the FPU status word) is normally set by the processor. Under certain rare conditions, this bit may not be set when this rounding occurs. However, other actions taken by the processor (invoking the software exception handler if the exception is unmasked) are not affected. This erratum can only occur if the floating-point operation, which causes the precision exception, is immediately followed by one of the following instructions:

- FST m32real
- FST m64real
- FSTP m32real
- FSTP m64real
- FSTP m80real
- FIST m16int
- FIST m32int
- FISTP m16int
- FISTP m32int
- FISTP m64int

Note that even if this combination of instructions is encountered, there is also a dependency on the internal pipelining and execution state of both instructions in the processor.

**Implication:** Inexact-result exceptions are commonly masked or ignored by applications, as it happens frequently, and produces a rounded result acceptable to most applications. The PE bit of the FPU status word may not always be set upon receiving an inexact-result exception. Thus, if these exceptions are unmasked, a floating-point error exception handler may not recognize that a precision exception occurred. Note that this is a “sticky” bit, i.e., once set by an inexact-result condition, it remains set until cleared by software.

**Workaround:** This condition can be avoided by inserting two NOP instructions between the two floating-point instructions.

**Status:** For the steppings affected see the *Summary of Changes* at the beginning of this section.



### **K6. BTM for SMI Will Contain Incorrect FROM EIP**

**Problem:** A system management interrupt (SMI) will produce a Branch Trace Message (BTM), if BTMs are enabled. However, the FROM EIP field of the BTM (used to determine the address of the instruction which was being executed when the SMI was serviced) will not have been updated for the SMI, so the field will report the same FROM EIP as the previous BTM.

**Implication:** A BTM which is issued for an SMI will not contain the correct FROM EIP, limiting the usefulness of BTMs for debugging software in conjunction with System Management Mode (SMM).

**Workaround:** None identified

**Status:** For the steppings affected see the *Summary of Changes* at the beginning of this section.

### **K7. I/O Restart in SMM May Fail After Simultaneous MCE**

**Problem:** If an I/O instruction (IN, INS, REP INS, OUT, OUTS, or REP OUTS) is being executed, and if the data for this instruction becomes corrupted, the mobile Pentium III processor will signal a machine check exception (MCE). If the instruction is directed at a device which is powered down, the processor may also receive an assertion of SMI#. Since MCEs have higher priority, the processor will call the MCE handler, and the SMI# assertion will remain pending. However, upon attempting to execute the first instruction of the MCE handler, the SMI# will be recognized and the processor will attempt to execute the SMM handler. If the SMM handler is completed successfully, it will attempt to restart the I/O instruction, but will not have the correct machine state, due to the call to the MCE handler.

**Implication:** A simultaneous MCE and SMI# assertion may occur for one of the I/O instructions above. The SMM handler may attempt to restart such an I/O instruction, but will have corrupted state due to the MCE handler call, leading to failure of the restart and shutdown of the processor.

**Workaround:** If a system implementation must support both SMM and MCEs, the first thing the SMM handler code (when an I/O restart is to be performed) should do is check for a pending MCE. If there is an MCE pending, the SMM handler should immediately exit via an RSM instruction and allow the machine check exception handler to execute. If there is not, the SMM handler may proceed with its normal operation.

**Status:** For the steppings affected see the *Summary of Changes* at the beginning of this section.

### **K8. Branch Traps Do Not Function If BTMs Are Also Enabled**

**Problem:** If branch traps or branch trace messages (BTMs) are enabled alone, both function as expected. However, if both are enabled, only the BTMs will function, and the branch traps will be ignored.

**Implication:** The branch traps and branch trace message debugging features cannot be used together.

**Workaround:** If branch trap functionality is desired, BTMs must be disabled.

**Status:** For the steppings affected see the *Summary of Changes* at the beginning of this section.

### **K9. Machine Check Exception Handler May Not Always Execute Successfully**

**Problem:** An MCE may not always result in the successful execution of the MCE handler. However, asynchronous MCEs usually occur upon detection of a catastrophic system condition that would also hang the processor. Leaving MCEs disabled will result in the condition, which caused the asynchronous MCE instead causing the processor to enter shutdown. Therefore, leaving MCEs disabled may not improve overall system behavior.

**Implication:** No workaround that would guarantee successful MCE handler execution under this condition has been identified.

**Workaround:** If branch trap functionality is desired, BTMs must be disabled.

**Status:** For the steppings affected see the *Summary of Changes* at the beginning of this section.

### **K10. MCE Due to L2 Parity Error Gives L1 MCACOD.LL**

**Problem:** If a Cache Reply Parity (CRP) error, Cache Address Parity (CAP) error, or Cache Synchronous Error (CSER) occurs on an access to the mobile Pentium III processor's L2 cache, the resulting Machine Check Architectural Error Code (MCACOD) will be logged with '01' in the LL field. This value indicates an L1 cache error; the value should be '10', indicating an L2 cache error. Note that L2 ECC errors have the correct value of '10' logged.

**Implication:** An L2 cache access error, other than an ECC error, will be improperly logged as an L1 cache error in MCACOD.LL.

**Workaround:** None identified

**Status:** For the steppings affected see the *Summary of Changes* at the beginning of this section.

### **K11. LBER May Be Corrupted After Some Events**

**Problem:** The last branch record (LBR) and the last branch before exception record (LBER) can be used to determine the source and destination information for previous branches or exceptions. The LBR contains the source and destination addresses for the last branch or exception, and the LBER contains similar information for the last branch taken before the last exception. This information is typically used to determine the location of a branch which leads to execution of code which causes an exception. However, after a catastrophic bus condition which results in an assertion of BINIT# and the re-initialization of the buses, the value in the LBER may be corrupted. Also, after either a CALL which results in a fault or a software interrupt, the LBER and LBR will be updated to the same value, when the LBER should not have been updated.

**Implication:** The LBER and LBR registers are used only for debugging purposes. When this erratum occurs, the LBER will not contain reliable address information. The value of LBER should be used with caution when debugging branching code; if the values in the LBR and LBER are the same, then the LBER value is incorrect. Also, the value in the LBER should not be relied upon after a BINIT# event.

**Workaround:** None identified

**Status:** For the steppings affected see the *Summary of Changes* at the beginning of this section.

### **K12. BTMs May Be Corrupted During Simultaneous L1 Cache Line Replacement**

**Problem:** When Branch Trace Messages (BTMs) are enabled and such a message is generated, the BTM may be corrupted when issued to the bus by the L1 cache if a new line of data is brought into the L1 data cache simultaneously. Though the new line being stored in the L1 cache is stored correctly, and no corruption occurs in the data, the information in the BTM may be incorrect due to the internal collision of the data line and the BTM.

**Implication:** Although BTMs may not be entirely reliable due to this erratum, the conditions necessary for this boundary condition to occur have only been exhibited during focused simulation testing. Intel has currently not observed this erratum in a system level validation environment.

**Workaround:** None identified

**Status:** For the steppings affected see the *Summary of Changes* at the beginning of this section.

### **K13. Near CALL to ESP Creates Unexpected EIP Address**

**Problem:** As documented, the CALL instruction saves procedure linking information in the procedure stack and jumps to the called procedure specified with the destination (target) operand. The target operand specifies the address of the first instruction in the called procedure. This operand can be an immediate value, a general purpose register, or a memory location. When accessing an absolute address indirectly using the stack pointer (ESP) as a base register, the base value used is the value in the ESP register before the instruction executes. However, when accessing an absolute address directly using ESP as the base register, the base value used is the value of ESP *after* the return value is pushed on the stack, not the value in the ESP register *before* the instruction executed.

**Implication:** Due to this erratum, the processor may transfer control to an unintended address. Results are unpredictable, depending on the particular application, and can range from no effect to the unexpected termination of the application due to an exception. Intel has observed this erratum only in a focused testing environment. Intel has not observed any commercially available operating system, application, or compiler that makes use of or generates this instruction.

**Workaround:** If the other seven general purpose registers are unavailable for use, and it is necessary to do a CALL via the ESP register, first push ESP onto the stack, then perform an indirect call using ESP (e.g., CALL [ESP]). The saved version of ESP should be popped off the stack after the call returns.

**Status:** For the steppings affected see the *Summary of Changes* at the beginning of this section.

### ***K14. Memory Type Undefined for Non-memory Operations***

**Problem:** The Memory Type field for nonmemory transactions such as I/O and Special Cycles are undefined. Although the Memory Type attribute for nonmemory operations logically should (and usually does) manifest itself as UC, this feature is not designed into the implementation and is therefore inconsistent.

**Implication:** Bus agents may decode a non-UC memory type for nonmemory bus transactions.

**Workaround:** Bus agents must consider transaction type to determine the validity of the Memory Type field for a transaction.

**Status:** For the steppings affected see the *Summary of Changes* at the beginning of this section.

### ***K15. FP Data Operand Pointer May Not Be Zero After Power On or Reset***

**Problem:** The FP Data Operand Pointer, as specified, should be reset to zero upon power on or Reset by the processor. Due to this erratum, the FP Data Operand Pointer may be nonzero after power on or Reset.

**Implication:** Software which uses the FP Data Operand Pointer and count on its value being zero after power on or Reset without first executing an FINIT/FNINIT instruction will use an incorrect value, resulting in incorrect behavior of the software.

**Workaround:** Software should follow the recommendation in Section 8.2 of the *Intel Architecture Software Developer's Manual, Volume 3: System Programming Guide* (Order Number 243192). This recommendation states that if the FPU will be used, software-initialization code should execute an FINIT/FNINIT instruction following a hardware reset. This will correctly clear the FP Data Operand Pointer to zero.

**Status:** For the steppings affected see the *Summary of Changes* at the beginning of this section.

## ***K16. MOVD Following Zeroing Instruction Can Cause Incorrect Result***

**Problem:** An incorrect result may be calculated after the following circumstances occur:

1. A register has been zeroed with either a SUB reg, reg instruction or an XOR reg, reg instruction,
2. A value is moved with sign extension into the same register's lower 16 bits; or a signed integer multiply is performed to the same register's lower 16 bits,
3. This register is then copied to an MMX™ technology register using the MOVD instruction prior to any other operations on the sign-extended value.

Specifically, the sign may be incorrectly extended into bits 16-31 of the MMX technology register. Only the MMX technology register is affected by this erratum.

The erratum only occurs when the 3 following steps occur in the order shown. The erratum may occur with up to 40 intervening instructions that do not modify the sign-extended value between steps 2 and 3.

1. XOR EAX, EAX  
or SUB EAX, EAX
2. MOVSBX AX, BL  
or MOVSBX AX, byte ptr <memory address> or MOVSBX AX, BX  
or MOVSBX AX, word ptr <memory address> or IMUL BL (AX implicit, opcode F6 /5)  
or IMUL byte ptr <memory address> (AX implicit, opcode F6 /5) or IMUL AX, BX (opcode 0F AF /r)  
or IMUL AX, word ptr <memory address> (opcode 0F AF /r) or IMUL AX, BX, 16 (opcode 6B /r ib)  
or IMUL AX, word ptr <memory address>, 16 (opcode 6B /r ib) or IMUL AX, 8 (opcode 6B /r ib)  
or IMUL AX, BX, 1024 (opcode 69 /r iw)  
or IMUL AX, word ptr <memory address>, 1024 (opcode 69 /r iw) or IMUL AX, 1024 (opcode 69 /r iw)  
or CBW
3. MOVD MM0, EAX

Note that the values for immediate byte/words are merely representative (i.e., 8, 16, 1024) and that any value in the range for the size may be affected. Also, note that this erratum may occur with "EAX" replaced with any 32-bit general purpose register, and "AX" with the corresponding 16-bit version of that replacement. "BL" or "BX" can be replaced with any 8-bit or 16-bit general purpose register. The CBW and IMUL (opcode F6 /5) instructions are specific to the EAX register only.

In the example, EAX is forced to contain 0 by the XOR or SUB instructions. Since the four types of the MOVSBX or IMUL instructions and the CBW instruction modify only bits 15:8 of EAX by sign extending the lower 8 bits of EAX, bits 31:16 of EAX should always contain 0. This implies that when MOVD copies EAX to MM0, bits 31:16 of MM0 should also be 0. Under certain scenarios, bits 31:16 of MM0 are not 0, but are replicas of bit 15 (the 16th bit) of AX. This is noticeable when the value in AX after the MOVSBX, IMUL or CBW instruction is negative, i.e., bit 15 of AX is a 1.

When AX is positive (bit 15 of AX is a 0), MOVD will always produce the correct answer. If AX is negative (bit 15 of AX is a 1), MOVD may produce the right answer or the wrong answer depending on the point in time when the MOVD instruction is executed in relation to the MOVSBX, IMUL or CBW instruction.

**Implication:** The effect of incorrect execution will vary from unnoticeable, due to the code sequence discarding the incorrect bits, to an application failure. If the MMX technology-enabled application in which MOVD is used to manipulate pixels, it is possible for one or more pixels to exhibit the wrong color or position momentarily. It is also possible for a computational application that uses the MOVD instruction in the manner described above to produce incorrect data. Note that this data may cause an unexpected page fault or general protection fault.

**Workaround:** There are two possible workarounds for this erratum:

1. Rather than using the MOVSX-MOVD, IMUL-MOVD or CBW-MOVD pairing to handle one variable at a time, use the sign extension capabilities (PSRAW, etc.) within MMX technology for operating on multiple variables. This would result in higher performance as well.
2. Insert another operation that modifies or copies the sign-extended value between the MOVSX/IMUL/CBW instruction and the MOVD instruction as in the example below:  
 XOR EAX, EAX (or SUB EAX, EAX)  
 MOVSX AX, BL (or other MOVSX, other IMUL or CBW instruction)  
 \*MOV EAX, EAX  
 MOVD MM0, EAX

\*Note: MOV EAX, EAX is used here as it is fairly generic. Again, EAX can be any 32-bit register.

**Status:** For the steppings affected see the *Summary of Changes* at the beginning of this section.

## ***K17. Premature Execution of a Load Operation Prior to Exception Handler Invocation***

**Problem:** This erratum can occur with any of the following situations:

1. If an instruction that performs a memory load causes a code segment limit violation,
2. If a waiting floating-point instruction or MMX™ instruction that performs a memory load has a floating-point exception pending, or
3. If an MMX instruction that performs a memory load and has either CR0.EM = 1 (Emulation bit set), or a floating-point Top-of-Stack (FP TOS) not equal to 0, or a DNA exception pending.

If any of the above circumstances occur it is possible that the load portion of the instruction will have executed before the exception handler is entered.

**Implication:** In normal code execution where the target of the load operation is to write back memory there is no impact from the load being prematurely executed, nor from the restart and subsequent re-execution of that instruction by the exception handler. If the target of the load is to uncached memory that has a system side-effect, restarting the instruction may cause unexpected system behavior due to the repetition of the side-effect.

**Workaround:** Code which performs loads from memory that has side-effects can effectively workaround this behavior by using simple integer-based load instructions when accessing side-effect memory and by ensuring that all code is written such that a code segment limit violation cannot occur as a part of reading from side-effect memory.

**Status:** For the steppings affected see the *Summary of Changes* at the beginning of this section.

### ***K18. Read Portion of RMW Instruction May Execute Twice***

**Problem:** When the mobile Pentium III processor executes a read-modify-write (RMW) arithmetic instruction, with memory as the destination, it is possible for a page fault to occur during the execution of the store on the memory operand after the read operation has completed but before the write operation completes.

If the memory targeted for the instruction is UC (uncached), memory will observe the occurrence of the initial load before the page fault handler and again if the instruction is restarted.

**Implication:** This erratum has no effect if the memory targeted for the RMW instruction has no side-effects. If, however, the load targets a memory region that has side-effects, multiple occurrences of the initial load may lead to unpredictable system behavior.

**Workaround:** Hardware and software developers who write device drivers for custom hardware that may have a side-effect style of design should use simple loads and simple stores to transfer data to and from the device. Then, the memory location will simply be read twice with no additional implications.

**Status:** For the steppings affected see the *Summary of Changes* at the beginning of this section.

### ***K19. MC2\_STATUS MSR Has Model-Specific Error Code and Machine Check Architecture Error Code Reversed***

**Problem:** The *Intel Architecture Software Developer's Manual, Volume 3: System Programming Guide*, documents that for the MC<sub>i</sub>\_STATUS MSR, bits 15:0 contain the MCA (machine-check architecture) error code field, and bits 31:16 contain the model-specific error code field. However, for the MC2\_STATUS MSR, these bits have been reversed. For the MC2\_STATUS MSR, bits 15:0 contain the model-specific error code field and bits 31:16 contain the MCA error code field.

**Implication:** A machine check error may be decoded incorrectly if this erratum on the MC2\_STATUS MSR is not taken into account.

**Workaround:** When decoding the MC2\_STATUS MSR, reverse the two error fields.

**Status:** For the steppings affected see the *Summary of Changes* at the beginning of this section.

## ***K20. MOV With Debug Register Causes Debug Exception***

**Problem:** When in V86 mode, if a MOV instruction is executed on debug registers, a general-protection exception (#GP) should be generated, as documented in the *Intel Architecture Software Developer's Manual, Volume 3: System Programming Guide*, Section 14.2. However, in the case when the general detect enable flag (GD) bit is set, the observed behavior is that a debug exception (#DB) is generated instead.

**Implication:** With debug-register protection enabled (i.e., the GD bit set), when attempting to execute a MOV on debug registers in V86 mode, a debug exception will be generated instead of the expected general-protection fault.

**Workaround:** In general, operating systems do not set the GD bit when they are in V86 mode. The GD bit is generally set and used by debuggers. The debug exception handler should check that the exception did not occur in V86 mode before continuing. If the exception did occur in V86 mode, the exception may be directed to the general-protection exception handler.

**Status:** For the steppings affected see the Summary of Changes at the beginning of this section.

## ***K21. Upper Four PAT Entries Not Usable With Mode B or Mode C Paging***

**Problem:** The Page Attribute Table (PAT) contains eight entries, which must all be initialized and considered when setting up memory types for the mobile Pentium III processor. However, in Mode B or Mode C paging, the upper four entries do not function correctly for 4-Kbyte pages. Specifically, bit seven of page table entries that translate addresses to 4-Kbyte pages should be used as the upper bit of a three-bit index to determine the PAT entry that specifies the memory type for the page. When Mode B (CR4.PSE = 1) and/or Mode C (CR4.PAE) are enabled, the processor forces this bit to zero when determining the memory type regardless of the value in the page table entry. The upper four entries of the PAT function correctly for 2-Mbyte and 4-Mbyte large pages (specified by bit 12 of the page directory entry for those translations).

**Implication:** Only the lower four PAT entries are useful for 4-KB translations when Mode B or C paging is used. In Mode A paging (4-Kbyte pages only), all eight entries may be used. All eight entries may be used for large pages in Mode B or C paging.

**Workaround:** None identified

**Status:** For the steppings affected see the *Summary of Changes* at the beginning of this section.



### ***K22. Data Breakpoint Exception in a Displacement Relative Near Call May Corrupt EIP***

**Problem:** If a misaligned data breakpoint is programmed to the same cache line as the memory location where the stack push of a near call is performed and any data breakpoints are enabled, the processor will update the stack and ESP appropriately, but may skip the code at the destination of the call. Hence, program execution will continue with the next instruction immediately following the call, instead of the target of the call.

**Implication:** The failure mechanism for this erratum is that the call would not be taken; therefore, instructions in the called subroutine would not be executed. As a result, any code relying on the execution of the subroutine will behave unpredictably.

**Workaround:** Whether enabled or not, do not program a misaligned data breakpoint to the same cache line on the stack where the push for the near call is performed.

**Status:** For the stepping affected see the *Summary of Changes* at the beginning of this section.

### ***K23. RDMSR or WRMSR to Invalid MSR Address May Not Cause GP Fault***

**Problem:** The RDMSR and WRMSR instructions allow reading or writing of MSRs (Model Specific Registers) based on the index number placed in ECX. The processor should reject access to any reserved or unimplemented MSRs by generating #GP(0). However, there are some invalid MSR addresses for which the processor will not generate #GP(0).

**Implication:** For RDMSR, undefined values will be read into EDX:EAX. For WRMSR, undefined processor behavior may result.

**Workaround:** Do not use invalid MSR addresses with RDMSR or WRMSR.

**Status:** For the steppings affected see the *Summary of Changes* at the beginning of this section.

## **K24. SYSENTER/SYSEXIT Instructions Can Implicitly Load “Null Segment Selector” to SS and CS Registers**

**Problem:** According to the processor specification, attempting to load a null segment selector into the CS and SS segment registers should generate a General Protection Fault (#GP). Although loading a null segment selector to the other segment registers is allowed, the processor will generate an exception when the segment register holding a null selector is used to access memory.

However, the SYSENTER instruction can implicitly load a null value to the SS segment selector. This can occur if the value in SYSENTER\_CS\_MSR is between FFF8h and FFFBh when the SYSENTER instruction is executed. This behavior is part of the SYSENTER/SYSEXIT instruction definition; the content of the SYSTEM\_CS\_MSR is always incremented by 8 before it is loaded into the SS. This operation will set the null bit in the segment selector if a null result is generated, but it does not generate a #GP on the SYSENTER instruction itself. An exception will be generated as expected when the SS register is used to access memory, however.

The SYSEXIT instruction will also exhibit this behavior for both CS and SS when executed with the value in SYSENTER\_CS\_MSR between FFF0h and FFF3h, or between FFE8h and FFEb, inclusive.

**Implication:** These instructions are intended for operating system use. If this erratum occurs (and the OS does not ensure that the processor never has a null segment selector in the SS or CS segment registers), the processor's behavior may become unpredictable, possibly resulting in system failure.

**Workaround:** Do not initialize the SYSTEM\_CS\_MSR with the values between FFF8h and FFFBh, FFF0h and FFF3h, or FFE8h and FFEb before executing SYSENTER or SYSEXIT.

**Status:** For the steppings affected see the *Summary of Changes* at the beginning of this section.

## **K25. PRELOAD Followed by EXTEST Does Not Load Boundary Scan Data**

**Problem:** According to the IEEE 1149.1 Standard, the EXTEST instruction would use data “typically loaded onto the latched parallel outputs of boundary-scan shift-register stages using the SAMPLE/PRELOAD instruction prior to the selection of the EXTEST instruction.” As a result of this erratum, this method cannot be used to load the data onto the outputs.

**Implication:** Using the PRELOAD instruction prior to the EXTEST instruction will not produce expected data after the completion of EXTEST.

**Workaround:** None identified

**Status:** For the steppings affected see the *Summary of Changes* at the beginning of this section.

### ***K26. INT 1 Instruction Handler Execution Could Generate a Debug Exception***

**Problem:** If the processor's general detect enable flag is set and an explicit call is made to the interrupt procedure via the INT 1 instruction, the general detect enable flag should be cleared prior to entering the handler. As a result of this erratum, the flag is not cleared prior to entering the handler. If an access is made to the debug registers while inside of the handler, the state of the general detect enable flag will cause a second debug exception to be taken. The second debug exception clears the general detect enable flag and returns control to the handler which is now able to access the debug registers.

**Implication:** This erratum will generate an unexpected debug exception upon accessing the debug registers while inside of the INT 1 handler.

**Workaround:** Ignore the second debug exception that is taken as a result of this erratum.

**Status:** For the steppings affected see the *Summary of Changes* at the beginning of this section.

### ***K27. Misaligned Locked Access to APIC Space Results in Hang***

**Problem:** When the processor's APIC space is accessed with a misaligned locked access a machine check exception is expected. However, the processor's machine check architecture is unable to handle the misaligned locked access.

**Implication:** If this erratum occurs the processor will hang. Typical usage models for the APIC address space do not use locked accesses. This erratum will not affect systems using such a model.

**Workaround:** Ensure that all accesses to APIC space are aligned.

**Status:** For the steppings affected see the *Summary of Changes* at the beginning of this section.

### ***K28. Processor May Assert DRDY# on a Write with No Data***

**Problem:** When a MASKMOVQ instruction is misaligned across a chunk boundary in a way that one chunk has a mask of all 0's, the processor will initiate two partial write transactions with one having all byte enables deasserted. Under these conditions, the expected behavior of the processor would be to perform both write transactions, but to deassert DRDY# during the transaction which has no byte enables asserted. As a result of this erratum, DRDY# is asserted even though no data is being transferred.

**Implication:** The implications of this erratum depend on the bus agent's ability to handle this erroneous DRDY# assertion. If a bus agent cannot handle a DRDY# assertion in this situation, or attempts to use the invalid data on the bus during this transaction, unpredictable system behavior could result.

**Workaround:** A system which can accept a DRDY# assertion during a write with no data will not be affected by this erratum. In addition, this erratum will not occur if the MASKMOVQ is aligned.

**Status:** For the steppings affected see the *Summary of Changes* at the beginning of this section.

### ***K29. GP# Fault on WRMSR to ROB\_CR\_BKUPTMPDR6***

**Problem:** Writing a '1' to unimplemented bit(s) in the ROB\_CR\_BKUPTMPDR6 MSR (offset 1E0h) will result in a general protection fault (GP#).

**Implication:** The normal process used to write an MSR is to read the MSR using RDMSR, modify the bit(s) of interest, and then to write the MSR using WRMSR. Because of this erratum, this process may result in a GP# fault when used to modify the ROB\_CR\_BKUPTMPDR6 MSR.

**Workaround:** When writing to ROB\_CR\_BKUPTMPDR6 all unimplemented bits must be '0.' Implemented bits may be set as '0' or '1' as desired.

**Status:** For the steppings affected see the Summary of Changes at the beginning of this section.

### ***K30. Machine Check Exception May Occur Due to Improper Line Eviction in the IFU***

**Problem:** The mobile Pentium III processor is designed to signal an unrecoverable Machine Check Exception (MCE) as a consistency checking mechanism. Under a complex set of circumstances involving multiple speculative branches and memory accesses there exists a one cycle long window in which the processor may signal a MCE in the Instruction Fetch Unit (IFU) because instructions previously decoded have been evicted from the IFU. The one cycle long window is opened when an opportunistic fetch receives a partial hit on a previously executed but not as yet completed store resident in the store buffer. The resulting partial hit erroneously causes the eviction of a line from the IFU at a time when the processor is expecting the line to still be present. If the MCE for this particular IFU event is disabled, execution will continue normally.

**Implication:** While this erratum may occur on a system with any number of mobile Pentium III processors, the probability of occurrence increases with the number of processors. If this erratum does occur, a machine check exception will result. Note systems that implement an operating system that does not enable the Machine Check Architecture will be completely unaffected by this erratum (e.g., Windows95\* and Windows98\*).

**Workaround:** It is possible for BIOS code to contain a workaround for this erratum.

**Status:** For the steppings affected see the *Summary of Changes* at the beginning of this section.

### ***K31. Performance Counter L2 Prefetch Count Includes Streaming SIMD Extensions L1 Prefetch***

**Problem:** The processors allow the measurement of the frequency and duration of numerous different internal and bus related events (see the *Intel Architecture Software Developer's Manual, Volume 3*, for more details). The Streaming SIMD Extension (SSE) architecture provides a mechanism to pre-load data into the L1 cache, bypassing the L2 cache. The number of these L1 pre-loads measured by the performance monitoring logic will incorrectly be included in the count of "L2\_LINES\_IN" (24H) events.

**Implication:** If application software is run which utilizes the SSE L1 prefetch feature, the count of "L2\_LINES\_IN" (24H) will read a value that is greater than the correct value.

**Workaround:** The correct value of this counter may be calculated by taking the value read for L2\_LINES\_IN (24H) and subtracting from it the value read for "EMON\_KNI\_PREF\_MISS" (4BH, Unit Mask 00H).

**Status:** For the steppings affected see the *Summary of Changes* at the beginning of this section.

### ***K32. Processor Will Erroneously Report a BIST Failure***

**Problem:** If the processor performs BIST at power-up, the EAX register is normally cleared (0H) if the processor passes BIST. The processor will erroneously report a non-zero value (signaling a BIST failure) even if BIST passes.

**Implication:** The processor will incorrectly signal an error after BIST is performed.

**Workaround:** The system BIOS should ignore the BIST results in the EAX register.

**Status:** For the steppings affected see the *Summary of Changes* at the beginning of this section.

### ***K33. Internal Snooping Mechanism Causes Livelock Condition***

**Problem:** Internal timings may align where the L2 cache snooping mechanism and the Instruction Fetch Unit snooping mechanism reject each other's requests to the Data Cache Unit. Both units will continue to retry but reject requests on every other clock, leading to a livelock condition.

**Implication:** The system will hang. If an external agent is snooping the processor's caches, the hang will appear as an infinite snoop stall.

**Workaround:** It is possible for BIOS code to contain a workaround for this erratum.

**Status:** For the steppings affected see the *Summary of Changes* at the beginning of this section.

### ***K34. Cache Coherency May Be Lost If Snoop Occurs During Cache Line Invalidation***

**Problem:** There exists a two cycle window during a cache line invalidation (due to a WBINVD instruction or FLUSH# pin assertion) during which a processor performing a snoop of that line will not see the line in the cache. In addition, when this erratum occurs, the processor invalidating the line will not write back the data in that line.

**Implication:** If this erratum occurs, cache coherency and data will be lost.

**Workaround:** None identified

**Status:** For the steppings affected see the *Summary of Changes* at the beginning of this section.

### ***K35. Extra DRDY# Assertion When Eviction Back-to-Back Write Combining Lines***

**Problem:** The processor has the ability to evict back-to-back lines in its write combining buffers. If the processor writes back data from L1 to L2 during a back-to-back write combining line eviction, the processor may assert an extra DRDY# on the system bus.

**Implication:** Data corruption (loss of data) may occur.

**Workaround:** It is possible for BIOS code to contain a workaround for this erratum.

**Status:** For the steppings affected see the *Summary of Changes* at the beginning of this section.

### ***K36. Limitation on Cache Line ECC Detection and Correction***

**Problem:** ECC can detect and correct up to four single-bit ECC errors per cache line. However, the processor will only detect and correct one single-bit ECC error per cache line. While all ECC errors will be detected, multiple single bit errors will be incorrectly reported as uncorrectable double bit errors, rather than correctable single bit errors.

**Implication:** The processor may report fewer single bit ECC errors and more double bit ECC errors than previous processors.

**Workaround:** None identified

**Status:** For the steppings affected see the *Summary of Changes* at the beginning of this section.

### ***K37. L2\_LD and L2\_M\_LINES\_OUTM Performance-Monitoring Counter Does Not Work***

**Problem:** The L2\_LD (29h) Performance-Monitoring counter, used for counting the number of L2 cache data loads, does not work properly.

**Implication:** This counter will report incorrect data.

**Workaround:** None identified

**Status:** For the steppings affected see the *Summary of Changes* at the beginning of this section.

### ***K38. Snoop Request May Cause DBSY# Hang***

**Problem:** A small window of time exists in which a snoop request originating from a bus agent to a processor with one or more outstanding memory transactions may cause the processor to assert DBSY# without issuing a corresponding bus transaction, causing the processor to hang (livelock). The exact circumstances are complex, and include the relative timing of internal processor functions with the snoop request from a bus agent.

**Implication:** This erratum may occur on a system with any number of processors. However, the probability of occurrence increases with the number of processors. If this erratum does occur, the system will hang with DBSY# asserted. At this point, the system requires a hard reset.

**Workaround:** It is possible for BIOS code to contain a workaround for this erratum.

**Status:** For the steppings affected see the *Summary of Changes* at the beginning of this section.

### ***K39. IFU/DCU Deadlock May Cause System Hang***

**Problem:** An internal deadlock situation may occur in systems with multiple bus agents, with a failure signature such that a processor either asserts DBSY# without issuing the corresponding data, or fails to respond to a snoop request from another bus agent. Should this erratum occur, the affected processor ceases code execution and the system will hang.

The specific circumstances surrounding the occurrence of this erratum are:

1. A locked operation to the Data Cache Unit (DCU) is in process.
2. A snoop occurs, but cannot complete due to the ongoing locked operation.
3. The presence of the snoop prevents pending Instruction Fetch Unit (IFU) requests from completing.
4. The IFU requests are periodically restarted.

The continued IFU restart attempts create additional DCU snoops, which prevent the in-process locked operation from completing, keeping the DCU locked.

**Implication:** The system may hang.

**Workaround:** It is possible for BIOS code to contain a workaround for this erratum.

**Status:** For the steppings affected see the *Summary of Changes* at the beginning of this section.

### ***K40. WBINVD May Lock Write Out Buffer***

**Problem:** If a processor is performing a WBINVD operation on a modified line, that line is stored in the processor's Write Out Buffer (WOB) until it is written to main memory. If another bus agent (such as a processor or PCI device) in the system generates a snoop that results in a hit to a modified line that is in the processor's WOB, that line could become permanently locked in the WOB. In addition to being locked in the WOB, the processor will not respond to the initial or subsequent snoop requests to this line, and the line in the WOB is never written to memory.

**Implication:** In the event of this erratum, coherency may be lost, which may result in a system lockup or system instability.

**Workaround:** None identified

**Status:** For the steppings affected see the *Summary of Changes* at the beginning of this section.



### ***K41. L2\_DBUS\_BUSY Performance Monitoring Counter Will Not Count Writes***

**Problem:** The L2\_DBUS\_BUSY (22H) performance monitoring counter is intended to count the number of cycles during which the L2 data bus is in use. For some steppings of the processor, the L2\_DBUS\_BUSY counter will not be incremented during write cycles and therefore will only reflect the number of L2 data bus cycles resulting from cache reads.

**Implication:** The L2\_DBUS\_BUSY event counts only L2 read cycles.

**Workaround:** None identified

**Status:** For the steppings affected see the *Summary of Changes* at the beginning of this section.

### ***K42. Lower Bits of SMRAM SMBASE Register Cannot Be Written With an ITP***

**Problem:** The System Management Base (SMBASE) register (7EF8H) stores the starting address of the System Management RAM (SMRAM). This register is used by the processor when it is in System Management Mode (SMM), and its contents serve as the memory base for code execution and data storage. The 32-bit SMBASE register can normally be programmed to any value. When programmed with an In-Target Probe (ITP), however, any attempt to set the lower 11 bits of SMBASE to anything other than zeros via the WRMSR instruction will cause the attempted write to fail.

**Implication:** When set via ITP, any attempt to relocate SMRAM space must be made with 2 KB alignment.

**Workaround:** None identified

**Status:** For the steppings affected see the *Summary of Changes* at the beginning of this section.

### ***K43. Task Switch May Cause Wrong PTE and PDE Access Bit to be Set***

**Problem:** If an operating system executes a task switch via a Task State Segment (TSS), and the TSS is wholly or partially located within a clean page (A and D bits clear) and the GDT entry for the new TSS is either misaligned across a cache line boundary or is in a clean page, the accessed and dirty bits for an incorrect page table/directory entry may be set.

**Implication:** An operating system that uses hardware task switching (or hardware task management) may encounter this erratum. The effect of the erratum depends on the alignment of the TSS and ranges from no anomalous behavior to unexpected errors.

**Workaround:** The operating system could align all TSSs to be within page boundaries and set the A and D bits for those pages to avoid this erratum. The operating system may alternately use software task management.

**Status:** For the steppings affected see the *Summary of Changes* at the beginning of this section.

#### ***K44. Unsynchronized Cross-Modifying Code Operations Can Cause Unexpected Instruction Execution Results***

**Problem:** The act of one processor, or system bus master, writing data into a currently executing code segment of a second processor with the intent of having the second processor execute that data as code is called cross-modifying code (XMC). XMC that does not force the second processor to execute a synchronizing instruction prior to execution of the new code is called unsynchronized XMC.

Software using unsynchronized XMC to modify the instruction byte stream of a processor can see unexpected instruction execution from the processor which is executing the modified code.

**Implication:** In this case, the phrase "unexpected execution behavior" encompasses the generation of most of the exceptions listed in the *Intel Architecture Software Developer's Manual Volume 3: System Programming Guide* including a General Protection Fault (GPF). In the event of a GPF, the application executing the unsynchronized XMC operation would be terminated by the operating system.

**Workaround:** In order to avoid this erratum, programmers should use the XMC synchronization algorithm as detailed in the *Intel Architecture Software Developer's Manual Volume 3: System Programming Guide*, Section 7.1.3.

**Status:** For the steppings affected see the *Summary of Changes* at the beginning of this section.

#### ***K45. Deadlock May Occur Due To Illegal-Instruction/Page-Miss Combination***

**Problem:** Intel's 32-bit Instruction Set Architecture (ISA) utilizes most of the available op-code space; however some byte combinations remain undefined and are considered illegal instructions. Intel processors detect the attempted execution of illegal instructions and signal an exception. This exception is handled by the operating system and/or application software.

Under a complex set of internal and external conditions involving illegal instructions, a deadlock may occur within the processor. The necessary conditions for the deadlock involve:

1. The illegal instruction is executed.
2. Two page table walks occur within a narrow timing window coincident with the illegal instruction.

**Implication:** The illegal instructions involved in this erratum are unusual and invalid byte combinations that are not useful to application software or operating systems. These combinations are not normally generated in the course of software programming, nor are such sequences known by Intel to be generated in commercially available software and tools. Development tools (compilers, assemblers) do not generate this type of code sequence, and will normally flag such a sequence as an error. If this erratum occurs, the processor deadlock condition will occur and result in a system hang. Code execution cannot continue without a system RESET.

**Workaround:** None identified

**Status:** For the steppings affected see the *Summary of Changes* at the beginning of this section.

### ***K46. MASKMOVQ Instruction Interaction with String Operation May Cause Deadlock***

**Problem:** Under the following scenario, combined with a specific alignment of internal events, the processor may enter a deadlock condition:

1. A store operation completes, leaving a write-combining (WC) buffer partially filled.
2. The target of a subsequent MASKMOVQ instruction is split across a cache line.
3. The data in (2) above results in a hit to the data in the WC buffer in (1).

**Implication:** If this erratum occurs, the processor deadlock condition will occur and result in a system hang. Code execution cannot continue without a system RESET.

**Workaround:** It is possible for BIOS code to contain a workaround for this erratum.

**Status:** For the steppings affected see the *Summary of Changes* at the beginning of this section.

### ***K47. Noise Sensitivity Issue on Processor SMI# Pin***

**Problem:** Post silicon characterization has demonstrated a greater than expected sensitivity to noise on the processor's SMI# input, which may result in spurious SMI# interrupts.

**Implication:** BIOS/SMM code that is capable of handling spurious SMI events will report a spurious SMI#, but should not be negatively impacted by this erratum. Systems whose BIOS code cannot handle spurious SMI events may fail, resulting in a system hang or other anomalous behavior.

Spurious SMI# interrupts should be controlled on the system board regardless of BIOS implementation.

**Workaround:** Possible workarounds that may reduce or eliminate the occurrence of the spurious SMI include:

1. Use a lower effective pull-up resistance on the SMI# pin. This resistor must meet the specifications of the component driving the SMI# signal.
2. Externally condition the SMI# signal prior to providing it to the processor's SMI# pin.

These workarounds should be evaluated on a design-by-design basis.

**Status:** For the steppings affected see the *Summary of Changes* at the beginning of this section.

## ***K48. MOVD or CVTSI2SS Following Zeroing Instruction Can Cause Incorrect Result***

**Problem:** An incorrect result may be calculated after the following circumstances occur:

1. A register has been zeroed with either a SUB reg, reg instruction or an XOR reg, reg instruction,
2. A value is moved with sign extension into the same register's lower 16 bits; or a signed integer multiply is performed to the same register's lower 16 bits,
3. The register is then copied to an MMX™ technology register using the MOVD instruction, or converted to single precision floating-point and moved to an MMX technology register using the CVTSI2SS instruction prior to any other operations on the sign-extended value.

Specifically, the sign may be incorrectly extended into bits 16-31 of the MMX technology register. This erratum only affects the MMX technology register.

This erratum only occurs when the following three steps occur in the order shown. This erratum may occur with up to 40 intervening instructions that do not modify the sign-extended value between steps 2 and 3.

1. XOR EAX, EAX  
or SUB EAX, EAX
2. MOVSBX AX, BL  
or MOVSBX AX, byte ptr <memory address> or MOVSBX AX, BX  
or MOVSBX AX, word ptr <memory address> or IMUL BL (AX implicit, opcode F6 /5)  
or IMUL byte ptr <memory address> (AX implicit, opcode F6 /5) or IMUL AX, BX (opcode 0F AF /r)  
or IMUL AX, word ptr <memory address> (opcode 0F AF /r) or IMUL AX, BX, 16 (opcode 6B /r ib)  
or IMUL AX, word ptr <memory address>, 16 (opcode 6B /r ib) or IMUL AX, 8 (opcode 6B /r ib)  
or IMUL AX, BX, 1024 (opcode 69 /r iw)  
or IMUL AX, word ptr <memory address>, 1024 (opcode 69 /r iw)  
or IMUL AX, 1024 (opcode 69 /r iw) or CBW
3. MOVD MM0, EAX or CVTSI2SS MM0, EAX

Note that the values for immediate byte/words are merely representative (i.e., 8, 16, 1024) and that any value in the range for the size is affected. Also, note that this erratum may occur with "EAX" replaced with any 32-bit general-purpose register, and "AX" with the corresponding 16-bit version of that replacement. "BL" or "BX" can be replaced with any 8-bit or 16-bit general-purpose register. The CBW and IMUL (opcode F6 /5) instructions are specific to the EAX register only.

In the above example, EAX is forced to contain 0 by the XOR or SUB instructions. Since the four types of the MOVSBX or IMUL instructions and the CBW instruction only modify bits 15:8 of EAX by sign extending the lower 8 bits of EAX, bits 31:16 of EAX should always contain 0. This implies that when MOVD or CVTSI2SS copies EAX to MM0, bits 31:16 of MM0 should also be 0. In certain scenarios, bits 31:16 of MM0 are not 0, but are replicas of bit 15 (the 16<sup>th</sup> bit) of AX. This is noticeable when the value in AX after the MOVSBX, IMUL or CBW instruction is negative (i.e., bit 15 of AX is a 1).

When AX is positive (bit 15 of AX is 0), MOVD or CVTSI2SS will produce the correct answer. If AX is negative (bit 15 of AX is 1), MOVD or CVTSI2SS may produce the right answer or the wrong answer, depending on the point in time when the MOVD or CVTSI2SS instruction is executed in relation to the MOVSBX, IMUL or CBW instruction.

**Implication:** The effect of incorrect execution will vary from unnoticeable, due to the code sequence discarding the incorrect bits, to an application failure.

**Workaround:** There are two possible workarounds for this erratum:

1. Rather than using the MOVXSX-MOVD/CVTSI2SS, IMUL-MOVD/CVTSI2SS or CBW-MOVD/CVTSI2SS pairing to handle one variable at a time, use the sign extension capabilities (PSRAW, etc.) within MMX technology for operating on multiple variables. This will also result in higher performance.
2. Insert another operation that modifies or copies the sign-extended value between the MOVXSX/IMUL/CBW instruction and the MOVD or CVTSI2SS instruction as in the example below:  
 XOR EAX, EAX (or SUB EAX, EAX)  
 MOVXSX AX, BL (or other MOVXSX, other IMUL or CBW instruction)  
 †MOV EAX, EAX  
 MOVD MM0, EAX or CVTSI2SS MM0, EAX

† MOV EAX, EAX is used here in a generic sense. Again, EAX can be substituted with any 32-bit register.

**Status:** For the steppings affected see the *Summary of Changes* at the beginning of this section.

### ***K49. FLUSH# Assertion Following STPCLK# May Prevent CPU Clocks From Stopping***

**Problem:** If FLUSH# is asserted after STPCLK# is asserted, the cache flush operation will not occur until after STPCLK# is de-asserted. Furthermore, the pending flush will prevent the processor from entering the Sleep state, since the flush operation must complete prior to the processor entering the Sleep state.

**Implication:** Following SLP# assertion, processor power dissipation may be higher than expected. Furthermore, if the source to the processor's input bus clock (BCLK) is removed, normally resulting in a transition to the Deep Sleep state, the processor may shutdown improperly. The ensuing attempt to wake up the processor will result in unpredictable behavior and may cause the system to hang.

**Workaround:** For systems that use the FLUSH# input signal and Deep Sleep state of the processor, ensure that FLUSH# is not asserted while STPCLK# is asserted.

**Status:** For the steppings affected see the *Summary of Changes* at the beginning of this section.

### ***K50. Intermittent Failure to Assert ADS# During Processor Power-On***

**Problem:** Under a system-specific set of initial parametric conditions, a very small number of mobile Pentium® III processors (CPUID 068xh) may be susceptible to entering an internal test mode during processor power-on. The symptom of this test mode is a failure to assert ADS# during a processor power-on.

**Implication:** On susceptible platforms, when power is applied to the processor, there is a possibility that the processor will occasionally enter the test mode rather than initiate a system boot sequence.

**Workaround:** A subsequent processor power-off then power-on cycle should remove the processor from this test mode, allowing normal processor operation to resume.

**Status:** For the steppings affected see the *Summary of Changes* at the beginning of this section.

### ***K51. Floating-Point Exception Signal Can Be Deferred***

**Problem:** A one clock window exists where a pending x87 floating-point exception that should be signaled on the execution of a CVTPS2PI, CVTPI2PS, or CVTTPS2PI instruction can be deferred to the next waiting floating-point instruction or instruction that would change MMX™ register state.

**Implication:** If this erratum occurs, the floating-point exception will not be handled as expected.

**Workaround:** Applications that follow Intel programming guidelines (empty all x87 registers before executing MMX technology instructions) will not be affected by this erratum.

**Status:** For the steppings affected see the *Summary of Changes* at the beginning of this section.

### ***K52. Floating-Point Exception Condition Can Be Deferred***

**Problem:** A floating-point instruction that causes a pending floating-point exception (ES=1) is normally signaled by the processor on the next waiting FP/MMX™ technology instruction. In the following set of circumstances, the exception may be delayed or the FSW register may contain a wrong value:

1. The excepting floating-point instruction is followed by an instruction that accesses memory across a page (4-Kbyte) boundary or its access results in the update of a page table dirty/access bit.
2. The memory accessing instruction is immediately followed by a waiting floating-point or MMX technology instruction.
3. The waiting floating-point or MMX technology instruction retires during a one-cycle window that coincides with a sequence of internal events related to instruction cache line eviction.

**Implication:** The floating-point exception will not be signaled until the next waiting floating-point/MMX technology instruction. Alternatively it may be signaled with the wrong TOS and condition code values. This erratum has not been observed in any commercial software applications.

**Workaround:** None identified

**Status:** For the stepping affected see the *Summary of Changes* at the beginning of this section.

### ***K53. Race Conditions May Exist on Thermal Sensor SMBus Collision Detection/Arbitration Circuitry***

**Problem:** In certain SMBus configurations, when the thermal sensor is used in “hard wired alert” mode along with at least one other device on the bus, the thermal sensor may continue to send its address after losing a collision arbitration in response to an Alert Response Address (ARA) by the SMBus controller.

In order for this erratum to occur, all of the following conditions must be present:

1. The thermal sensor must be configured with alert enabled (default setting).
2. There must be one or more other devices on the SMBus along with the thermal sensor.
3. One or more of these other devices must be also configured with the alert enabled.
4. One or more of these other devices must have a lower address (higher priority) than the thermal sensor.
5. The thermal sensor must generate an SM alert while at least one other device has an SM alert pending to be serviced.

In this situation, the thermal sensor will continue to send its address on the SMBus even if it has a lower priority than the pending alert. When this occurs, the SMBus controller cannot correctly interpret the device address. This may cause the thermal sensor’s alert flag not to clear and may result in SMBus lockup.

**Implication:** The SMBus controller may see an invalid address and the resulting response of the SMBus controller will vary from implementation to implementation.

**Workaround:** Remove any one of the five conditions listed above or:

1. In software, use polling mode for the thermal sensor data collection with alert disabled. This software workaround has been validated on both Intel’s test platforms as well as on certain OEM systems.
2. Ensure that the thermal sensor alert may be cleared by a hardware or software mechanism. The implementation of this workaround will be system dependent.

**Status:** For the steppings affected, see the *Summary of Changes* at the beginning of this section.

### ***K54. Cache Line Reads May Result in Eviction of Invalid Data***

**Problem:** A small window of time exists in which internal timing conditions in the processor cache logic may result in the eviction of an L2 cache line marked in the invalid state.

**Implication:** There are three possible implications of this erratum:

1. The processor may provide incorrect L2 cache line data by evicting an invalid line.
2. A BNR# (Block Next Request) stall may occur on the system bus.
3. Should a snoop request occur to the same cache line in a small window of time, the processor may incorrectly assert HITM#. It is then possible for an infinite snoop stall to occur should another processor respond (correctly) to the snoop request with HIT#. In order for this infinite snoop stall to occur, at least three agents must be present, and the probability of occurrence increases with the number of processors.

Should 2 or 3 occur, the processor will eventually assert BINIT# (if enabled) with an MCA error code indicating a ROB time-out. At this point, the system requires a hard reset.

**Workaround:** It is possible for BIOS code to contain a workaround for this erratum.

**Status:** For the steppings affected, see the *Summary of Changes* at the beginning of this section.

### ***K55. Snoop Probe During FLUSH# Could Cause L2 to be Left in Shared State***

**Problem:** During a L2 FLUSH operation using the FLUSH# pin, it is possible that a read request from a bus agent or other processor to a valid line will leave the line in the Shared state (S) instead of the Invalid state (I) as expected after flush operation. Before the FLUSH operation is completed, another snoop request to invalidate the line from another agent or processor could be ignored, again leaving the line in the Shared state.

**Implication:** Current desktop and mid range server systems have no mechanism to assert the flush pin and hence are not affected by this errata. A high end server system that does not suppress snoop traffic before the assertion of the FLUSH# pin may cause a line to be left in an incorrect cache state.

**Workaround:** Affected systems (those capable of asserting the FLUSH# pin) should prevent snoop activity on the front side bus until invalidation is completed after asserting FLUSH#, or use a WBINVD instruction instead of asserting the FLUSH# pin in order to flush the cache.

**Status:** For the steppings affected, see the *Summary of Changes* at the beginning of this section.



### ***K56. Livelock May Occur Due to IFU Line Eviction***

**Problem:** Following the conditions outlined for erratum K30, if the instruction that is currently being executed from the evicted line must be restarted by the IFU, and the IFU receives another partial hit on a previously executed (but not as yet completed) store that is resident in the store buffer, then a livelock may occur.

**Implication:** If this erratum occurs, the processor will hang in a live lock-situation, and the system will require a reset to continue normal operation.

**Workaround:** None identified

**Status:** For the steppings affected, see the *Summary of Changes* at the beginning of this section.

### ***K57. Intermittent Power-on Failure due to Uninitialized Processor Internal Nodes***

**Problem:** If there is no clock source supplied to the processor's PICCLK pin, the processor may drive an incorrect address for the reset vector at power-on due to uninitialized processor internal nodes. In this scenario when ADS# is asserted, it is possible that the processor drives either the SMI or NMI vector addresses, rather than the reset vector address.

**Implication:** Systems that provide a clock to the processor's PICCLK pin are unaffected by this issue. On a system implementation with no clock source supplied to the processor's PICCLK pin, a small percentage of the systems may intermittently fail to boot, or may fail to resume from a STR or STD state. On the next power-on, the system will likely boot normally.

**Workaround:** Supply a clock source to the processor's PICCLK pin.

**Status:** For the steppings affected see the *Summary of Changes* at the beginning of this section.

### ***K58. Selector for the LTR/LLDT Register May Get Corrupted***

**Problem:** The internal selector portion of the respective register (TR, LDTR) may get corrupted if, during a small window of LTR or LLDT system instruction execution, the following sequence of events occur:

1. Speculative write to a segment register that might follow the LTR or LLDT instruction
2. The read segment descriptor of LTR/LLDT operation spans a page (4 Kbytes) boundary; or causes a page fault

**Implication:** Incorrect selector for LTR, LLDT instruction could be used after a task switch.

**Workaround:** Software can insert a serializing instruction between the LTR or LLDT instruction and the segment register write.

**Status:** For the steppings affected see the *Summary of Changes* at the beginning of this section.

### ***K59. INIT Does Not Clear Global Entries in the TLB***

**Problem:** INIT may not flush a TLB entry when:

1. The processor is in protected mode with paging enabled and the page global enable flag is set (PGE bit of CR4 register)
2. G bit for the page table entry is set
3. TLB entry is present in TLB when INIT occurs

**Implication:** Software may encounter unexpected page fault or incorrect address translation due to a TLB entry erroneously left in TLB after INIT.

**Workaround:** Write to CR3, CR4 or CR0 registers before writing to memory early in BIOS code to clear all the global entries from TLB.

**Status:** For the steppings affected see the *Summary of Changes* at the beginning of this section.

### ***K60. VM Bit Will Be Cleared on a Double Fault Handler***

**Problem:** Following a task switch to a Double Fault Handler that was initiated while the processor was in virtual-8086 (VM86) mode, the VM bit will be incorrectly cleared in EFLAGS.

**Implication:** When the OS recovers from the double fault handler, the processor will no longer be in VM86 mode.

**Workaround:** None identified

**Status:** For the steppings affected see the *Summary of Changes* at the beginning of this section.

## ***Memory Aliasing with Inconsistent A and D Bits May Cause***

### ***K61. Processor Deadlock***

**Problem:** In the event that software implements memory aliasing by having two Page Directory Entries(PDEs) point to a common Page Table Entry(PTE) and the accessed and dirty bits for the two PDEs are allowed to become inconsistent the processor may become deadlocked.

**Implication:** This erratum has not been observed with commercially available software.

**Workaround:** Software that needs to implement memory aliasing in this way should manage the consistency of the accessed and dirty bits

**Status:** For the steppings affected see the *Summary of Changes* at the beginning of this section.

## ***Use of Memory Aliasing with Inconsistent Memory Type May Cause K62. System Hang***

**Problem:** Software that implements memory aliasing by having more than one linear addresses mapped to the same physical page with different cache types may cause the system to hang. This would occur if one of the addresses is non-cacheable used in code segment and the other a cacheable address. If the cacheable address finds its way in instruction cache, and non-cacheable address is fetched in IFU, the processor may invalidate the non-cacheable address from the fetch unit. Any micro-architectural event that causes instruction restart will expect this instruction to still be in fetch unit and lack of it will cause system hang.

**Implication:** This erratum has not been observed with commercially available software.

**Workaround:** Although it is possible to have a single physical page mapped by two different linear addresses with different memory types, Intel has strongly discouraged this practice as it may lead to undefined results. Software that needs to implement memory aliasing should manage the memory type consistency.

**Status:** For the steppings affected see the *Summary of Changes* at the beginning of this section.

## ***Processor may Report Invalid TSS Fault Instead of Double Fault K63. During Mode C Paging***

**Problem:** When an operating system executes a task switch via a Task State Segment (TSS) the CR3 register is always updated from the new task TSS. In the mode C paging, once the CR3 is changed the processor will attempt to load the PDPTRs. If the CR3 from the target task TSS or task switch handler TSS is not valid then the new PDPTR will not be loaded. This will lead to the reporting of invalid TSS fault instead of the expected Double fault.

**Implication:** Operating systems that access an invalid TSS may get invalid TSS fault instead of a Double fault.

**Workaround:** Software needs to ensure any accessed TSS is valid.

**Status:** For the steppings affected see the *Summary of Changes* at the beginning of this section.

### ***Machine Check Exception may Occur When Interleaving Code K64. Between Different Memory Types***

**Problem:** A small window of opportunity exists where code fetches interleaved between different memory types may cause a machine check exception. A complex set of micro-architectural boundary conditions is required to expose this window.

**Implication:** Interleaved instruction fetches between different memory types may result in a machine check exception. The system may hang if machine check exceptions are disabled. Intel has not observed the occurrence of this erratum while running commercially available applications or operating systems.

**Workaround:** Software can avoid this erratum by placing a serializing instruction between code fetches which span different memory types.

**Status:** For the steppings affected see the *Summary of Changes* at the beginning of this section.

### ***Wrong ESP Register Values During a Fault in VM86 Mode K65.***

**Problem:** At the beginning of the IRET instruction execution in VM86 mode, the lower 16 bits of the ESP register are saved as the old stack value. When a fault occurs, these 16 bits are moved into the 32-bit ESP, effectively clearing the upper 16 bits of the ESP.

**Implication:** This erratum has not been observed to cause any problems with commercially available software.

**Workaround:** None identified

**Status:** For the steppings affected see the *Summary of Changes* at the beginning of this section.

### ***APIC ICR Write May Cause Interrupt Not to be Sent When ICR K66. Delivery Bit Pending***

**Problem:** If the APIC ICR (Interrupt Control Register) is written with a new interrupt command while the Delivery Status bit from a previous interrupt command is set to '1' (Send Pending), the interrupt message may not be sent out by the processor.

**Implication:** This erratum will cause an interrupt message not to be sent, potentially resulting in system hang.

**Workaround:** Software should always poll the Delivery Status bit in the APIC ICR and ensure that it is '0' (Idle) before writing a new value to the ICR.

**Status:** For the steppings affected see the *Summary of Changes* at the beginning of this section.

### ***Processor Incorrectly Samples NMI Interrupt after RESET# K67. Deassertion When Processor APIC is Hardware-Disabled***

**Problem:** When the processor APIC is hardware-disabled the processor may incorrectly interpret the NMI signal as an NMI interrupt, instead of a frequency strap value, starting six bus clocks after RESET# is de-asserted. This will result in a processor hang due to the NMI Handler not being installed at this time.

**Implication:** The system may fail to boot due to this issue.

**Workaround:** The processor APIC must be hardware-enabled by pulling PICD[1:0] high with separate pull up resistors and supplying PICCLK to the processor.

**Status:** For the steppings affected, see the *Summary of Changes* at the beginning of this section.

### ***The Instruction Fetch Unit (IFU) May Fetch Instructions Based K68. Upon Stale CR3 Data After a Write to CR3 Register***

**Problem** - Under a complex set of conditions, there exists a one clock window following a write to the CR3 register where-in it is possible for the iTLB fill buffer to obtain a stale page translation based on the stale CR3 data. This stale translation will persist until the next write to the CR3 register, the next page fault or execution of a certain class of instructions including RDTSC, CPUID, or IRETQ with privilege level change.

**Implication** - The wrong page translation could be used leading to erroneous software behavior.

**Workaround** - Operating systems that are potentially affected can add a second write to the CR3 register. It is possible for Bios code to contain a workaround for this erratum for FBA1 and FPA1 stepping of the processor.

**Status** - For the steppings affected, see the *Summary of Changes* at the beginning of this section.

### ***Processor Might not Exit Sleep State Properly Upon De-assertion K69. of CPUSLP# Signal***

**Problem** - If the processor enters a sleep state upon assertion of CPUSLP# signal, and if the core to system bus multiplier is an odd bus fraction, then the processor may not resume from the CPU sleep state upon the de-assertion of CPUSLP# signal.

**Implication** - This erratum may result in a system hang during a resume from CPU sleep state. Mobile platforms using Quick Start recommendations are not affected.

**Workaround** - It is possible to workaround this in BIOS by not asserting CPUSLP# for power management purposes. For mobile platforms, the workaround is to use the Quick Start recommendation.

**Status** - For the steppings affected, see the Summary of Changes at the beginning of this section.

### ***During Boundary Scan, BCLK Not Sampled High When DPSP# is K70. Asserted Low***

**Problem:** During boundary scan, BCLK not sampled high when DPSP# is asserted low.

**Implication:** Boundary scan results may be incorrect when DPSP# is asserted low.

**Workaround:** Do not use boundary scan when DPSP# is asserted low.

**Status:** For the steppings affected, see the Summary of Changes at the beginning of this section.

### ***K1M0. Spurious Interprocessor and End-of-Interrupt Message Generated on the APIC Bus in the Quick Start State***

**Problem:** Software can issue an interprocessor interrupt or an end-of-interrupt message on the APIC serial bus. If the processor enters the Quick Start state before the APIC bus message completes then the processor will continue to issue interprocessor interrupt or end-of-interrupt messages until the processor exits the Quick Start state. When the processor leaves the Quick Start state the APIC may report that a checksum error has occurred while sending the interprocessor interrupt or end-of-interrupt message.

**Implication:** If an I/O APIC sends a level sensitive interrupt to a processor it may receive many end-of-interrupt messages instead of just one. The processor may signal an APIC bus checksum error even though none has occurred. If a processor sends an interprocessor interrupt then more than one interrupt may be sent. The processor may signal an APIC bus checksum error.

**Workaround:** Configure the processor to use the Stop Grant state instead of the Quick Start state or use an interrupt controller other than the APIC.

**Status:** For the steppings affected see the *Summary of Changes* at the beginning of this section.

### ***K2MO. APIC Has Unpredictable Interactions With the Quick Start State***

**Problem:** The processor cannot properly handle APIC bus messages or local interrupts in the Quick Start state. The local APIC timer does not work properly in the Quick Start state. If the processor is driving a message on the APIC bus while it is entering the Quick Start state it will continuously reissue the message and possibly report an APIC bus checksum error on exit from Quick Start. APIC bus messages that are not driven by the processor will be ignored by the processor if it enters the Quick Start state while the message is in progress.

**Implication:** The operating system cannot rely on the APIC behaving according to specification if the Quick Start state is used. This erratum only affects mobile platforms using APIC.

**Workaround:** None identified

**Status:** For the steppings affected see the *Summary of Changes* at the beginning of this section.

### ***K1AP. APIC Access to Cacheable Memory Causes SHUTDOWN***

**Problem:** APIC operations which access memory with any type other than uncacheable (UC) are illegal. If an APIC operation to a memory type other than UC occurs and Machine Check Exceptions (MCEs) are disabled, the processor will enter shutdown after such an access. If MCEs are enabled, an MCE will occur. However, in this circumstance, a second MCE will be signaled. The second MCE signal will cause the mobile Pentium III processor to enter shutdown.

**Implication:** Recovery from a PIC access to cacheable memory will not be successful. Software that accesses only UC type memory during APIC operations will not encounter this erratum.

**Workaround:** Ensure that the memory space to which PIC accesses can be made is marked as type UC (uncacheable) in the memory type range registers (MTRRs) to avoid this erratum.

**Status:** For the steppings affected see the *Summary of Changes* at the beginning of this section.

### ***K2AP. Write to Mask LVT (Programmed as EXTINT) Will Not Deassert Outstanding Interrupt***

**Problem:** If the APIC subsystem is configured in Virtual Wire Mode implemented through the local APIC (i.e., the 8259 INTR signal is connected to LINT0 and LVT1's interrupt delivery mode field is programmed as EXTINT), a write to LVT1 intended to mask interrupts will not deassert the internal interrupt source if the external LINT0 signal is already asserted. The interrupt will be erroneously posted to the mobile Pentium III processor despite the attempt to mask it via the LVT.

**Implication:** Because of the masking attempt, interrupts may be generated when the system software expects no interrupts to be posted.

**Workaround:** Software can issue a write to the 8259A interrupt mask register to deassert the LINT0 interrupt level, followed by a read to the controller to ensure that the LINT0 signal has been deasserted. Once this is ensured, software may then issue the write to mask LVT entry 1.



**Status:** For the steppings affected see the *Summary of Changes* at the beginning of this section.



## DOCUMENTATION CHANGES

The Documentation Changes listed in this section apply to:

- *Mobile Intel® Pentium® III Processor-M datasheet (298340-002)*
- *Mobile Pentium® III Processor in BGA2 and Micro-PGA2 Packages at 1GHz, 900 MHz, 850 MHz, 800 MHz, 750 MHz, 700 MHz, Low Voltage 750 MHz, Low Voltage 700 MHz, Low voltage 600 MHz, Ultra Low Voltage 600 MHz and Ultra Low Voltage 500 MHz datasheet*
- *Pentium® III Processor Mobile Module Connector 2 (MMC2) datasheet*
- *Pentium® III Processor Mobile Module: Mobile Module Connector 2 (MMC2) Featuring Intel® SpeedStep™ Technology datasheet*
- *Intel Architecture Software Developer's Manual, Volumes 1, 2, and 3*
- *P6 Family of Processors Hardware Developer's Manual*

### **K1. Mobile Pentium III Processor CPUID Section Update**

The Mobile Intel® Pentium® III Processor in BGA2 and Micro-PGA2 Packages datasheet (order number 283653-002) has the following Documentation Change. The datasheet was incorrectly documented as stating the EAX register contained the values after a power-on RESET. The correct statement is after a power-on RESET, the EDX register contains the processor version information (type, family, model, stepping).

#### **Section 2.4 Update.**

When the CPUID version information is loaded with EAX=01H, the EAX and EBX registers contain the values shown in Table 4. After a power-on RESET, the EDX register contains the processor version information (type, family, model, stepping). See Intel Processor Identification and the CPUID Instruction Application Note AP-485 for further information.

**Table 4. Mobile Pentium III Processor CPUID**

EAX[31:0]					EBX[7:0]
Reserved [31:14]	Type [13:12]	Family [11:8]	Model [7:4]	Stepping [3:0]	Brand ID
X	0	6	8	X	02

After the L2 cache is initialized, the CPUID cache/TLB descriptors will be the values shown in Table 5.

**Table 5. Mobile Pentium III Processor CPUID Cache and TLB Descriptors**

Cache and TLB Descriptors	01H, 02H, 03H, 04H, 08H, 0CH, 82H
---------------------------	-----------------------------------

## **K2. Machine Check Exception detected when BINIT# drive enabled**

The last paragraph of section 13.7.1 in the *Intel Architecture Software Developer's Manual, Volume 3: System Programming Guide*, has the following documentation change:

### 13.7.1 Machine Check Exception Handler

- The MCIP flag in the IA32\_MCG\_STATUS register indicates whether a machine-check exception was generated. Before returning from the machine-check exception handler, software should clear this flag so that it can be used reliably by an error logging utility. The MCIP flag also detects recursion. The machine-check architecture does not support recursion. When the processor detects machine-check recursion, it enters the shutdown state.

Note: For complete operation of the processors machine check capabilities it is essential that the system BIOS enable BINIT# drive and BINIT# observation. This allows the processor to use BINIT# to clear internal and potentially external blocking states and correctly report a wider range of machine check exceptions. For Example, on an Intel® Pentium® III processor that is executing a locked CMPXCHG8B instruction and a machine check exception is seen on the initial data read, but the comparison operation fails, the processor unlocks the bus after completion of the locked sequence by asserting a BINIT# signal. Without BINIT# drive (UP environment) or BINIT# drive and observation (MP environment) enabled, the machine check error is logged, but the machine check exception is not taken (if MCE's are enabled).

## **K3. Encoding of "Immediate to register" of "AND" instruction**

The *Architecture Software Developer's Manual, Volume 2: Instruction Set Reference* Appendix B, table B-10 is missing the encoding of "Immediate to register" of "AND" instruction. The encoding of "Immediate to register" of "AND" instruction is as follows:

```
'1000 00sw 11100 reg : immediate data'
```

## **K4. The 'reg' field of CMPXCHG8B instruction encoding must be 001**

The *Architecture Software Developer's Manual, Volume 2: Instruction Set Reference* Appendix B, table B-10 incorrectly documents opcode encoding format of CMPXCHG8B. It should state:

CMPXCHG8B- Compare and Exchange 8 Bytes  
Memory, register                      0000 1111 : 1100 0111 : mod 001r/m

**K5. SCAS/SCASB/SCASW/SCASD encoding operand is incorrect**

The *Architecture Software Developer's Manual, Volume 2: Instruction Set Reference* Appendix B, table B-10 incorrectly documents opcode encoding format of SCASx.

It currently states:

SCAS/SCASB/SCASW/SCASD - Scan String      1101 111w

It should state:

SCAS/SCASB/SCASW/SCASD - Scan String      1010 111w

**K6. XCHG encoding operand information (1-byte form) does not have a w-bit, hence the reg size is implied. The AL register is not a valid option for this 1-byte encoding**

The *Architecture Software Developer's Manual, Volume 2: Instruction Set Reference* Appendix B, table B-10 incorrectly documents opcode encoding format of XCHG. The XCHG encoding operand information is incorrect, since there is no w bit for the 2nd operand form, therefore AL is not allowed.

The table currently states:

XCHG - Exchange Register/Memory with Register register1 with register2	1000 011w : 11 reg1 reg2
AL, AX, or EAX with reg	1001 0 reg
memory with reg	1000 011w : mod reg r/m

It should state:

XCHG - Exchange Register/Memory with Register register1 with register2	1000 011w : 11 reg1 reg2
AX or EAX with reg	1001 0 reg
memory with reg	1000 011w : mod reg r/m

## SPECIFICATION CLARIFICATIONS

The Specification Clarifications listed in this section apply to:

- *Mobile Intel® Pentium® III Processor-M datasheet (298340-002)*
- *Mobile Pentium® III Processor in BGA2 and Micro-PGA2 Packages at 1GHz, 900 MHz, 850 MHz, 800 MHz, 750 MHz, 700 MHz, Low Voltage 750 MHz, Low Voltage 700 MHz, Low voltage 600 MHz, Ultra Low Voltage 600 MHz and Ultra Low Voltage 500 MHz datasheet*
- *Pentium® III Processor Mobile Module Connector 2 (MMC2) datasheet*
- *Pentium® III Processor Mobile Module: Mobile Module Connector 2 (MMC2) Featuring Intel® SpeedStep™ Technology datasheet*
- *Intel Architecture Software Developer's Manual, Volumes 1, 2, and 3*
- *P6 Family of Processors Hardware Developer's Manual*

### K1. Temperature Specification Clarification for Measuring Currents

The *Mobile Intel® Pentium® III Processor in BGA2 and Micro-PGA2 Packages datasheet* (Order Number 283653-002) has the following Specification Clarifications on note 3 of Table 33, Section 6. The temperature at which the currents are measured was not clearly specified in note 3 of Table 33.

**Table 33. Power Specifications for Mobile Pentium III Processor with Intel SpeedStep Technology**

Symbol	Parameter	TDP <sub>Typ</sub> <sup>1,3</sup>	TDP <sub>Max</sub> <sup>2,3</sup>	P <sub>SGNT</sub> <sup>3,4</sup>	P <sub>QS</sub> <sup>3,5</sup>	P <sub>DSP</sub> <sup>3,6</sup>	Unit
Power	500 / 300 MHz & 1.10 / 0.975V	5.0 / 2.4	8.1 / 4.5	0.8 / 0.6	0.6 / 0.5	0.2 / 0.2	W
	600 / 300 MHz & 1.10 / 0.975V	6.4 / 2.4	9.7 / 4.5	0.8 / 0.6	0.6 / 0.5	0.2 / 0.2	W
	600 / 300 MHz & 1.15 / 0.975V	7.0 / 2.4	9.7 / 4.5	0.7 / 0.6	0.5 / 0.5	0.3 / 0.2	W
	600 / 500 MHz & 1.35 / 1.10V	8.7 / 5.0	14.4 / 8.1	1.1 / 0.8	0.8 / 0.6	0.3 / 0.2	W
	700 / 500 MHz & 1.35 / 1.10V	10.2 / 5.0	16.1 / 8.1	1.6 / 0.8	1.2 / 0.6	0.4 / 0.2	W
	750 / 500 MHz & 1.35 / 1.10V	12.4 / 5.0	17.2 / 8.1	1.6 / 0.8	1.2 / 0.6	0.4 / 0.2	W
	700 / 550 MHz & 1.60 / 1.35V	15.0 / 8.5	23.0 / 13.2	1.7 / 1.1	1.3 / 0.8	0.5 / 0.3	W
	750 / 600 MHz & 1.60 / 1.35V	15.8 / 8.7	24.6 / 14.4	1.7 / 1.1	1.3 / 0.8	0.5 / 0.3	W
	800 / 650 MHz & 1.60 / 1.35V	17.0 / 9.5	25.9 / 15.1	2.7 / 1.6	1.9 / 1.2	0.75 / 0.4	W
	850 / 700 MHz & 1.60 / 1.35V	18.2 / 10.2	27.5 / 16.1	2.7 / 1.6	1.9 / 1.2	0.75 / 0.4	W
	900 / 700 MHz & 1.70 / 1.35V	23.3 / 11.2	30.7 / 16.1	2.9 / 1.6	2.2 / 1.2	0.93 / 0.4	W
1GHz / 700 MHz & 1.70 / 1.35V	24.8 / 11.2	34.0 / 16.1	2.9 / 1.6	2.2 / 1.2	0.93 / 0.4	W	
T <sub>J</sub>	Junction temperature is measured with the on-die thermal diode	92 <sup>7</sup> , 100	92 <sup>7</sup> , 100	50	50	35	°C

**NOTES:**

1.  $TDP_{TYP}$  (Thermal Design Power) is a recommendation based on the power dissipation of the processor while executing publicly available software under normal operating conditions at nominal voltages. Not 100% tested.
2.  $TDP_{MAX}$  is a specification of the total power dissipation of the processor while executing a worst-case instruction mix under normal operating conditions at nominal voltages. It includes the power dissipated by all of the components within the processor. Not 100% tested. Specified by design/characterization.
3. Not 100% tested. These power specifications are determined by characterization of the processor currents at higher temperatures and extrapolating the values for the temperature indicated.
4.  $P_{SGNT}$  is Stop Grant and Auto Halt power.
5.  $P_{QS}$  is Quick Start and Sleep power.
6.  $P_{DSSLP}$  is Deep Sleep power.
7. 1 GHz/700 MHz product also available with junction temperature ( $T_j$ ) of 92°C. S-Spec number on the package will identify the part.

## SPECIFICATION CHANGES

The Specification Changes listed in this section apply to:

- *Mobile Intel® Pentium® III Processor-M datasheet (298340-002)*
- *Mobile Pentium® III Processor in BGA2 and Micro-PGA2 Packages at 1GHz, 900 MHz, 850 MHz, 800 MHz, 750 MHz, 700 MHz, Low Voltage 750 MHz, Low Voltage 700 MHz, Low voltage 600 MHz, Ultra Low Voltage 600 MHz and Ultra Low Voltage 500 MHz datasheet*
- *Pentium® III Processor Mobile Module Connector 2 (MMC2) datasheet*
- *Pentium® III Processor Mobile Module: Mobile Module Connector 2 (MMC2) Featuring Intel® SpeedStep™ Technology datasheet*
- *Intel Architecture Software Developer's Manual, Volumes 1, 2, and 3*
- *P6 Family of Processors Hardware Developer's Manual*

### **K1. Thermal Resistance ( $\theta_{j-tp}$ ) Specification Change**

In the *Intel® Pentium® III Processor Mobile Module: Mobile Module Connector 2 (MMC-2) Featuring Intel® SpeedStep™ Technology Datasheet* (Order Number 243356-004), the value for thermal resistance found in Section 6.2 Thermal Transfer Plate, has changed from "... $\leq 0.35^{\circ}\text{C/W}$ ..." to "... $\leq 0.5^{\circ}\text{C/W}$  as shipped...".

This change will be incorporated in the next revision of the datasheet.

### **K2. New Product Specification for Mobile Intel Pentium III Processor 1000/700 MHz at $T_j=92^{\circ}\text{C}$**

Intel is offering a new product specification for the mobile Intel® Pentium® III Processor featuring Intel® SpeedStep™ technology 1GHz (700MHz in battery optimized mode) operating at  $T_j=92^{\circ}\text{C}$ . This product is offered in addition to the 1 GHz (700 MHz in battery optimized mode) operating at  $T_j=100^{\circ}\text{C}$ .

There are no other specifications changes for this product except for the junction temperature ( $T_j$ ). This part can be identified by its own s-spec number on the package.