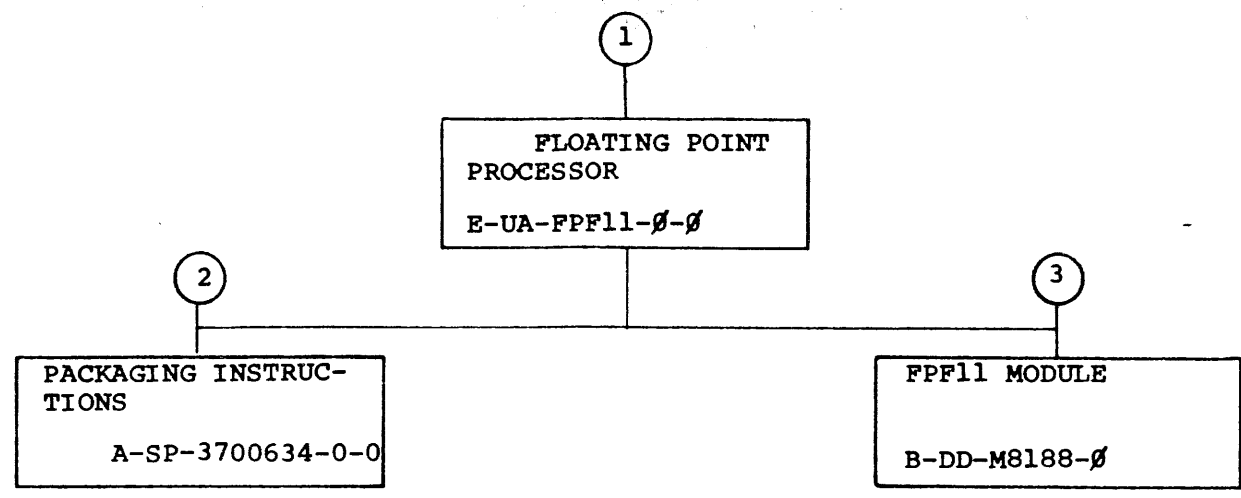
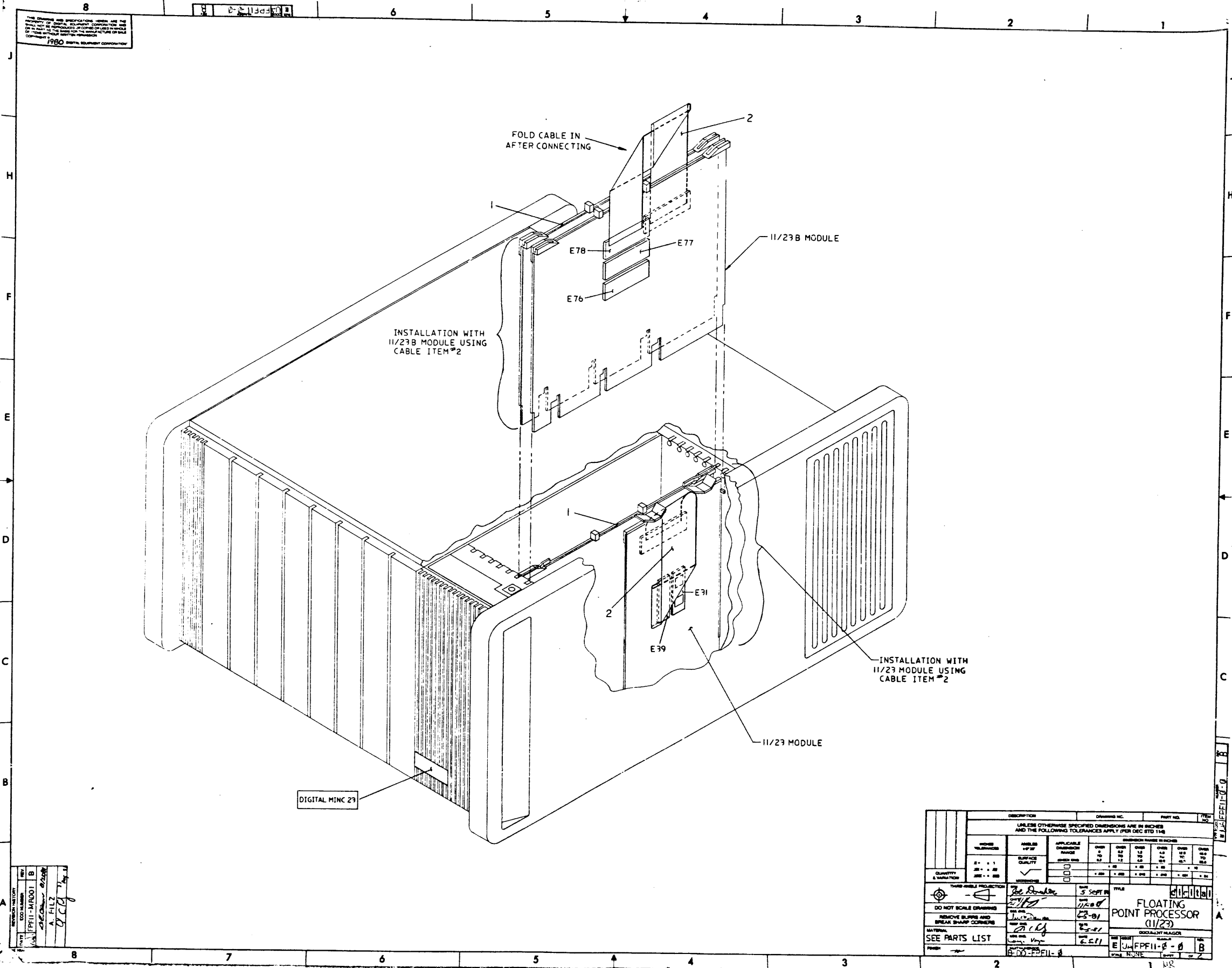


"THIS DRAWING AND SPECIFICATIONS, HEREIN, ARE THE PROPERTY OF DIGITAL EQUIPMENT CORPORATION AND SHALL NOT BE REPRODUCED OR COPIED OR USED IN WHOLE OR IN PART AS THE BASIS FOR THE MANUFACTURE OR SALE OF ITEMS WITHOUT WRITTEN PERMISSION. 1981
 COPYRIGHT © DIGITAL EQUIPMENT CORPORATION"



TITLE	FLOATING POINT PROCESSOR (11/23)	SHEET 2 OF 3	SIZE CODE B DD	NUMBER PPF11-0	REV A
-------	-------------------------------------	--------------	-------------------	-------------------	----------

MR



THIS DRAWING AND SPECIFICATIONS ARE THE PROPERTY OF DIGITAL EQUIPMENT CORPORATION AND ARE NOT TO BE REPRODUCED OR COPIED IN WHOLE OR IN PART WITHOUT THE WRITTEN PERMISSION OF THE MANUFACTURER OF THIS DRAWING.

1980 DIGITAL EQUIPMENT CORPORATION

REV	BY	DATE
B	W. J. ROOPE	11/23/68
A	A. FILZ	11/23/68

QUANTITY & MATERIAL	DESCRIPTION	DRAWING NO.	PART NO.
1	11/23B MODULE	11/23B-0	11/23B-0
1	11/23 MODULE	11/23-0	11/23-0
1	CABLE ITEM #2		

APPLICABLE DIMENSION RANGE	OVER	UNDER
0.000 - 0.005	0.005	0.000
0.005 - 0.010	0.010	0.005
0.010 - 0.015	0.015	0.010
0.015 - 0.020	0.020	0.015
0.020 - 0.025	0.025	0.020
0.025 - 0.030	0.030	0.025
0.030 - 0.035	0.035	0.030
0.035 - 0.040	0.040	0.035
0.040 - 0.045	0.045	0.040
0.045 - 0.050	0.050	0.045
0.050 - 0.055	0.055	0.050
0.055 - 0.060	0.060	0.055
0.060 - 0.065	0.065	0.060
0.065 - 0.070	0.070	0.065
0.070 - 0.075	0.075	0.070
0.075 - 0.080	0.080	0.075
0.080 - 0.085	0.085	0.080
0.085 - 0.090	0.090	0.085
0.090 - 0.095	0.095	0.090
0.095 - 0.100	0.100	0.095
0.100 - 0.105	0.105	0.100
0.105 - 0.110	0.110	0.105
0.110 - 0.115	0.115	0.110
0.115 - 0.120	0.120	0.115
0.120 - 0.125	0.125	0.120
0.125 - 0.130	0.130	0.125
0.130 - 0.135	0.135	0.130
0.135 - 0.140	0.140	0.135
0.140 - 0.145	0.145	0.140
0.145 - 0.150	0.150	0.145
0.150 - 0.155	0.155	0.150
0.155 - 0.160	0.160	0.155
0.160 - 0.165	0.165	0.160
0.165 - 0.170	0.170	0.165
0.170 - 0.175	0.175	0.170
0.175 - 0.180	0.180	0.175
0.180 - 0.185	0.185	0.180
0.185 - 0.190	0.190	0.185
0.190 - 0.195	0.195	0.190
0.195 - 0.200	0.200	0.195
0.200 - 0.205	0.205	0.200
0.205 - 0.210	0.210	0.205
0.210 - 0.215	0.215	0.210
0.215 - 0.220	0.220	0.215
0.220 - 0.225	0.225	0.220
0.225 - 0.230	0.230	0.225
0.230 - 0.235	0.235	0.230
0.235 - 0.240	0.240	0.235
0.240 - 0.245	0.245	0.240
0.245 - 0.250	0.250	0.245
0.250 - 0.255	0.255	0.250
0.255 - 0.260	0.260	0.255
0.260 - 0.265	0.265	0.260
0.265 - 0.270	0.270	0.265
0.270 - 0.275	0.275	0.270
0.275 - 0.280	0.280	0.275
0.280 - 0.285	0.285	0.280
0.285 - 0.290	0.290	0.285
0.290 - 0.295	0.295	0.290
0.295 - 0.300	0.300	0.295
0.300 - 0.305	0.305	0.300
0.305 - 0.310	0.310	0.305
0.310 - 0.315	0.315	0.310
0.315 - 0.320	0.320	0.315
0.320 - 0.325	0.325	0.320
0.325 - 0.330	0.330	0.325
0.330 - 0.335	0.335	0.330
0.335 - 0.340	0.340	0.335
0.340 - 0.345	0.345	0.340
0.345 - 0.350	0.350	0.345
0.350 - 0.355	0.355	0.350
0.355 - 0.360	0.360	0.355
0.360 - 0.365	0.365	0.360
0.365 - 0.370	0.370	0.365
0.370 - 0.375	0.375	0.370
0.375 - 0.380	0.380	0.375
0.380 - 0.385	0.385	0.380
0.385 - 0.390	0.390	0.385
0.390 - 0.395	0.395	0.390
0.395 - 0.400	0.400	0.395
0.400 - 0.405	0.405	0.400
0.405 - 0.410	0.410	0.405
0.410 - 0.415	0.415	0.410
0.415 - 0.420	0.420	0.415
0.420 - 0.425	0.425	0.420
0.425 - 0.430	0.430	0.425
0.430 - 0.435	0.435	0.430
0.435 - 0.440	0.440	0.435
0.440 - 0.445	0.445	0.440
0.445 - 0.450	0.450	0.445
0.450 - 0.455	0.455	0.450
0.455 - 0.460	0.460	0.455
0.460 - 0.465	0.465	0.460
0.465 - 0.470	0.470	0.465
0.470 - 0.475	0.475	0.470
0.475 - 0.480	0.480	0.475
0.480 - 0.485	0.485	0.480
0.485 - 0.490	0.490	0.485
0.490 - 0.495	0.495	0.490
0.495 - 0.500	0.500	0.495
0.500 - 0.505	0.505	0.500
0.505 - 0.510	0.510	0.505
0.510 - 0.515	0.515	0.510
0.515 - 0.520	0.520	0.515
0.520 - 0.525	0.525	0.520
0.525 - 0.530	0.530	0.525
0.530 - 0.535	0.535	0.530
0.535 - 0.540	0.540	0.535
0.540 - 0.545	0.545	0.540
0.545 - 0.550	0.550	0.545
0.550 - 0.555	0.555	0.550
0.555 - 0.560	0.560	0.555
0.560 - 0.565	0.565	0.560
0.565 - 0.570	0.570	0.565
0.570 - 0.575	0.575	0.570
0.575 - 0.580	0.580	0.575
0.580 - 0.585	0.585	0.580
0.585 - 0.590	0.590	0.585
0.590 - 0.595	0.595	0.590
0.595 - 0.600	0.600	0.595
0.600 - 0.605	0.605	0.600
0.605 - 0.610	0.610	0.605
0.610 - 0.615	0.615	0.610
0.615 - 0.620	0.620	0.615
0.620 - 0.625	0.625	0.620
0.625 - 0.630	0.630	0.625
0.630 - 0.635	0.635	0.630
0.635 - 0.640	0.640	0.635
0.640 - 0.645	0.645	0.640
0.645 - 0.650	0.650	0.645
0.650 - 0.655	0.655	0.650
0.655 - 0.660	0.660	0.655
0.660 - 0.665	0.665	0.660
0.665 - 0.670	0.670	0.665
0.670 - 0.675	0.675	0.670
0.675 - 0.680	0.680	0.675
0.680 - 0.685	0.685	0.680
0.685 - 0.690	0.690	0.685
0.690 - 0.695	0.695	0.690
0.695 - 0.700	0.700	0.695
0.700 - 0.705	0.705	0.700
0.705 - 0.710	0.710	0.705
0.710 - 0.715	0.715	0.710
0.715 - 0.720	0.720	0.715
0.720 - 0.725	0.725	0.720
0.725 - 0.730	0.730	0.725
0.730 - 0.735	0.735	0.730
0.735 - 0.740	0.740	0.735
0.740 - 0.745	0.745	0.740
0.745 - 0.750	0.750	0.745
0.750 - 0.755	0.755	0.750
0.755 - 0.760	0.760	0.755
0.760 - 0.765	0.765	0.760
0.765 - 0.770	0.770	0.765
0.770 - 0.775	0.775	0.770
0.775 - 0.780	0.780	0.775
0.780 - 0.785	0.785	0.780
0.785 - 0.790	0.790	0.785
0.790 - 0.795	0.795	0.790
0.795 - 0.800	0.800	0.795
0.800 - 0.805	0.805	0.800
0.805 - 0.810	0.810	0.805
0.810 - 0.815	0.815	0.810
0.815 - 0.820	0.820	0.815
0.820 - 0.825	0.825	0.820
0.825 - 0.830	0.830	0.825
0.830 - 0.835	0.835	0.830
0.835 - 0.840	0.840	0.835
0.840 - 0.845	0.845	0.840
0.845 - 0.850	0.850	0.845
0.850 - 0.855	0.855	0.850
0.855 - 0.860	0.860	0.855
0.860 - 0.865	0.865	0.860
0.865 - 0.870	0.870	0.865
0.870 - 0.875	0.875	0.870
0.875 - 0.880	0.880	0.875
0.880 - 0.885	0.885	0.880
0.885 - 0.890	0.890	0.885
0.890 - 0.895	0.895	0.890
0.895 - 0.900	0.900	0.895
0.900 - 0.905	0.905	0.900
0.905 - 0.910	0.910	0.905
0.910 - 0.915	0.915	0.910
0.915 - 0.920	0.920	0.915
0.920 - 0.925	0.925	0.920
0.925 - 0.930	0.930	0.925
0.930 - 0.935	0.935	0.930
0.935 - 0.940	0.940	0.935
0.940 - 0.945	0.945	0.940
0.945 - 0.950	0.950	0.945
0.950 - 0.955	0.955	0.950
0.955 - 0.960	0.960	0.955
0.960 - 0.965	0.965	0.960
0.965 - 0.970	0.970	0.965
0.970 - 0.975	0.975	0.970
0.975 - 0.980	0.980	0.975
0.980 - 0.985	0.985	0.980
0.985 - 0.990	0.990	0.985
0.990 - 0.995	0.995	0.990
0.995 - 1.000	1.000	0.995

UNLESS OTHERWISE SPECIFIED DIMENSIONS ARE IN INCHES AND THE FOLLOWING TOLERANCES APPLY (PER DEC STD 148)

DO NOT SCALE DRAWING

REMOVE SLIPS AND BREAK SHARP CORNERS

SEE PARTS LIST

DATE: 5 SEPT 68

BY: [Signature]

REV: 1

TITLE: FLOATING POINT PROCESSOR (11/23)

DRAWING NO: 11/23-0

PART NO: 11/23-0

QUANTITY: 1

MATERIAL: [Blank]

FINISH: [Blank]

DATE: 5 SEPT 68

BY: [Signature]

REV: 1

TITLE: FLOATING POINT PROCESSOR (11/23)

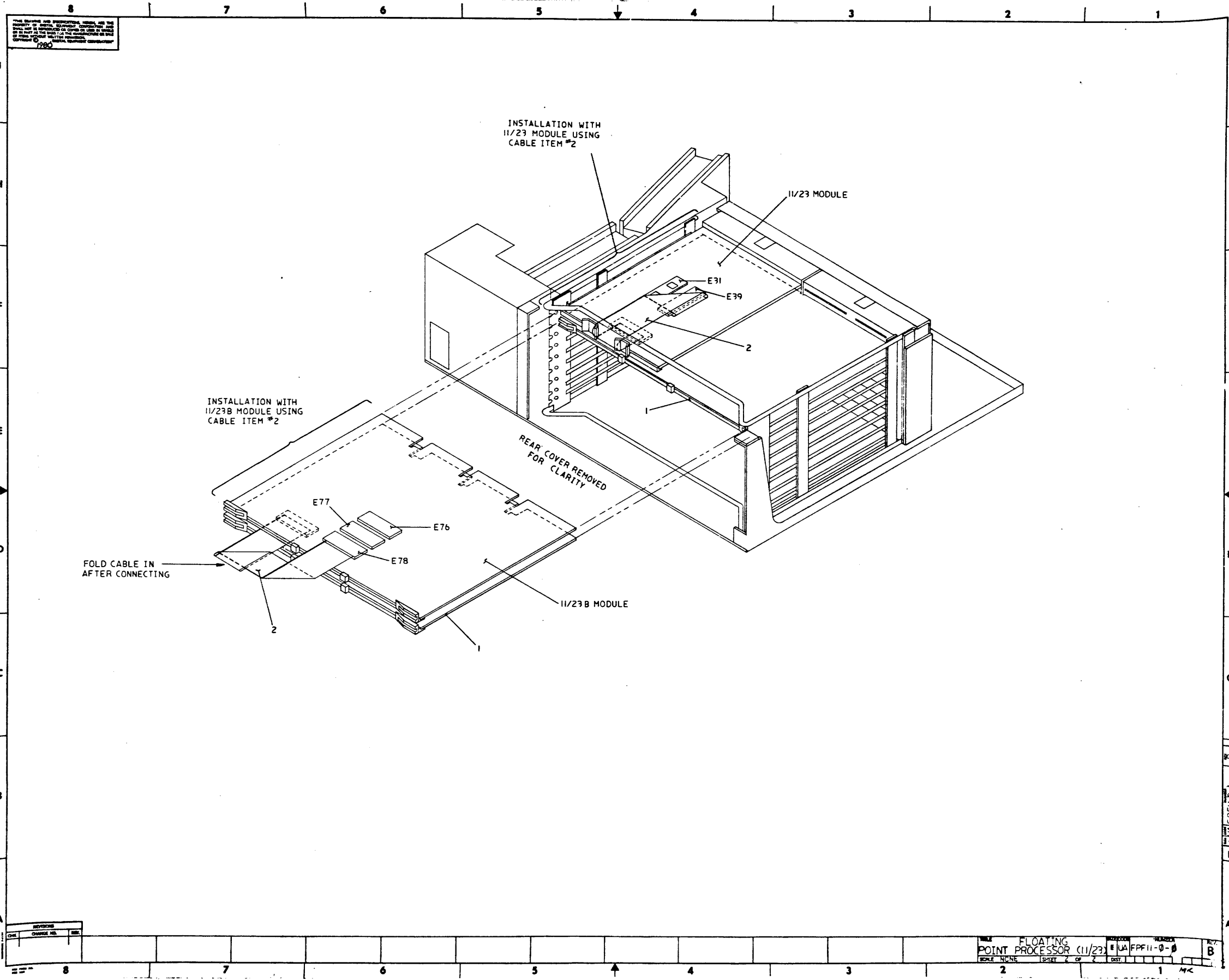
DRAWING NO: 11/23-0

PART NO: 11/23-0

QUANTITY: 1

MATERIAL: [Blank]

FINISH: [Blank]



LINE	ITEM	DOCUMENT NUMBER	PART NUMBER	DESCRIPTION	QUANTITY PER VARIATION	
					00	A
1	1	D-UA-MR188-0-0	M8188-00	FPF11 FLOATING POINT PROCESSOR	1	1
2	2		1700254-00	CABLE ASSY,14"LG,40PIN DIP CONN	1	-
3	3		1700254-01	CABLE ASSY,10"LG,40PIN DIP CONN	1	1
4	4	EK-FPF11-TM	EKFPF11-TM	TECHNICAL MANUAL FPF11	1	1
5	5		MP01285-00	HOT FLOATING POINT PROCESSOR	1	1
6	6	A-SP-3700634-0-0	3700634-01	PKG. OPTION FPF11	1	1
7	7	CJFPA *		FPF11 DAIG. PART #1	REF	REF
8	8	CJFPB *		FPF11 DIAG. PART #2	REF	REF

9 NOTE: 1.* DENOTES LATEST REV.

REVISION HISTORY		BASIC PART NO: FPF11		DRN: J. DONAHER	DATE: 5-SEP-80	D I G I T A L				
ENG	ECO NUMBER	REV	SECTION A OF A	CHK'D: B. HOVEY	DATE: 1-FEB-81	TITLE		PARTS LIST		
---	INITIAL	A	SECTION, VARIATION INDEX			FLOATING POINT PROCESSOR				
AF	FPF11-MR001	B	[A] 00,A			DOCUMENT NUMBER				
			[B]	DES.ENG.: ART FILZ	DATE: 1-MAR-81	SIZE	CODE	NUMBER	REV	
			[C]	RESP.ENG.: ART FILZ	DATE: 1-MAR-81	K	PL	FPF11-0-DBF	B	
			[D]	MFG.ENG.: J. APONTE	DATE: 1-MAR-81	ASSEMBLY NUMBER:		TOP DOCUMENT NUMBER:		FILE NAME:
			[E]			E-UA-FPF11-0-0		E-UA-FPF11-0-0		22717B,PLS
			[F]							EDIT #
<p>"THIS DRAWING AND SPECIFICATIONS HEREIN, ARE THE PROPERTY OF DIGITAL EQUIPMENT CORPORATION AND SHALL NOT BE REPRODUCED OR COPIED OR USED IN WHOLE OR IN PART AS THE BASIS FOR THE MANUFACTURE OR SALE OF ITEMS WITHOUT WRITTEN PERMISSION. COPYRIGHT (C) 1981. DIGITAL EQUIPMENT CORPORATION"</p>										

MR

8 7 6 5 4 3 2 1



FPF11 ARCH/TIMING

REV. A
NUMBER FPF11-0-3
SIZE CODE D CS
B

THIS DRAWING AND SPECIFICATIONS, HEREIN, ARE THE PROPERTY OF DIGITAL EQUIPMENT CORPORATION AND SHALL NOT BE REPRODUCED OR COPIED OR USED IN WHOLE OR IN PART AS THE BASIS FOR THE MANUFACTURE OR SALE OF ITEMS WITHOUT WRITTEN PERMISSION. COPYRIGHT © 1981, DIGITAL EQUIPMENT CORPORATION.

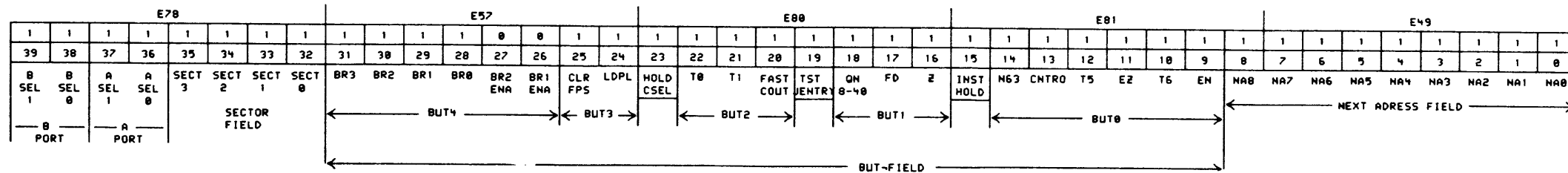
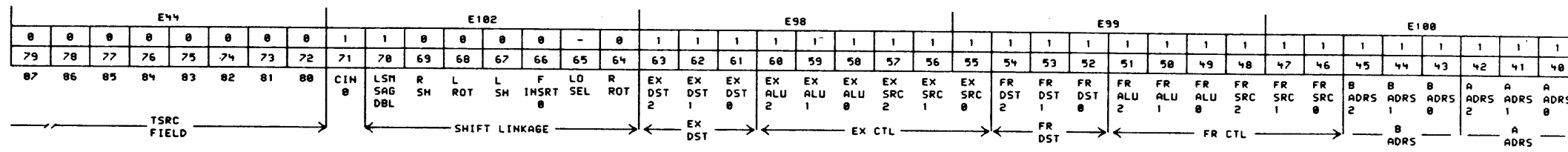
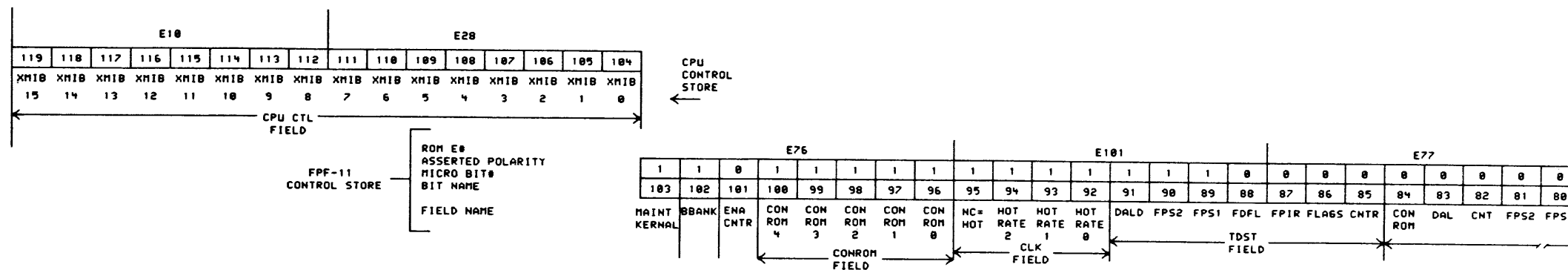
REVISIONS		
CHK	CHANGE NO.	REV

	DRW. <i>J. Family</i>	DATE 10-JUN-81	ENG. <i>Lucy Dawson</i>	DATE 10-JUN-81	TITLE: FPF11 ARCH/TIMING
	CHK. <i>g.c.</i>	DATE 10-JUN-81	BOARD LOCATION: SHEET 1 OF 6		
PSI<GARTER>FPF33.DRW		10-JUN-81 13151	NEXT HIGHER ASSEMBLY: B-DD-FPF11-0	SIZE CODE D CS	NUMBER FPF11-0-3
FIRST USED ON OPTION/MODEL: FPF11					REV. A

8 7 6 5 4 3 2 1

MR

FPF-11 MICROWORD



NOTE: (ON TBUS BUT CONDITIONS)

- T0 = Y8
- T1 = Y9
- T5 = Y61
- T6 = Y62

THIS DRAWING AND SPECIFICATIONS HEREIN ARE THE PROPERTY OF DIGITAL EQUIPMENT CORPORATION AND SHALL NOT BE REPRODUCED OR COPIED OR USED IN WHOLE OR IN PART AS THE BASIS FOR THE MANUFACTURE OR SALE OF ITEMS WITHOUT WRITTEN PERMISSION. COPYRIGHT © 1961, DIGITAL EQUIPMENT CORPORATION.

REVISIONS		
CHK	CHANGE NO.	REV

digital
PSI (CARTER) FPF24.DRW 18-JUN-61 13153
FIRST USED ON OPTION/MODEL: FPF11

DATE 18-JUN-61
ENG. [Signature]
DATE 18-JUN-61
BOARD LOCATION: [Signature]
SHEET 2 OF 6
NEXT HIGHER ASSEMBLY: B-DD-FPF11-0

TITLE: MICROWORD
SIZE CODE: D FD
NUMBER: FPF11-0-3
REV. A

BUT CONTRIBUTION TABLE

CONDITION: ("SOURCE") - HARDWIRED UNLESS NOTED OTHERWISE	MPC 0, 1, 2, 3, 4, 5, 6, 7, 8	
FD	X	
EM	X	
E2		X
XN	X	"N63 BIT"
XZ	X	
CNTR0	X	"CNTR BORROW"
FAST COUT 63	X	
Q8-48	X	
Y8	X	=TBUS0
Y9	X	=TBUS1
Y61	X	=TBUS5
Y62	X	=TBUS6
LDPC OHT FETCH	X	
CLRFP5	X	
(PLA 1) BREAKOUT	+ + + + +	
OP1A	+ + +	
MODES	+ + + +	
OP1C	+	
(PLA 2) FL	X	
GR7	X	
FL-BAR	X	
FLBAR#OR#GR7	X	
FID	X	
FIV	X	
FIU	X	
FIUV	X	
FIC-BAR	X	
FT	X	
FLAG0	X	
STAT(210)#FT	X X X	
STAT(21)	X X	

THIS DRAWING AND SPECIFICATIONS
HEREIN ARE THE PROPERTY OF
DIGITAL EQUIPMENT CORPORATION AND
SHALL NOT BE REPRODUCED OR COPIED
OR USED IN WHOLE OR IN PART AS
THE BASIS FOR THE MANUFACTURE OR
SALE OF ITEMS WITHOUT WRITTEN
PERMISSION. COPYRIGHT © 1981,
DIGITAL EQUIPMENT CORPORATION.

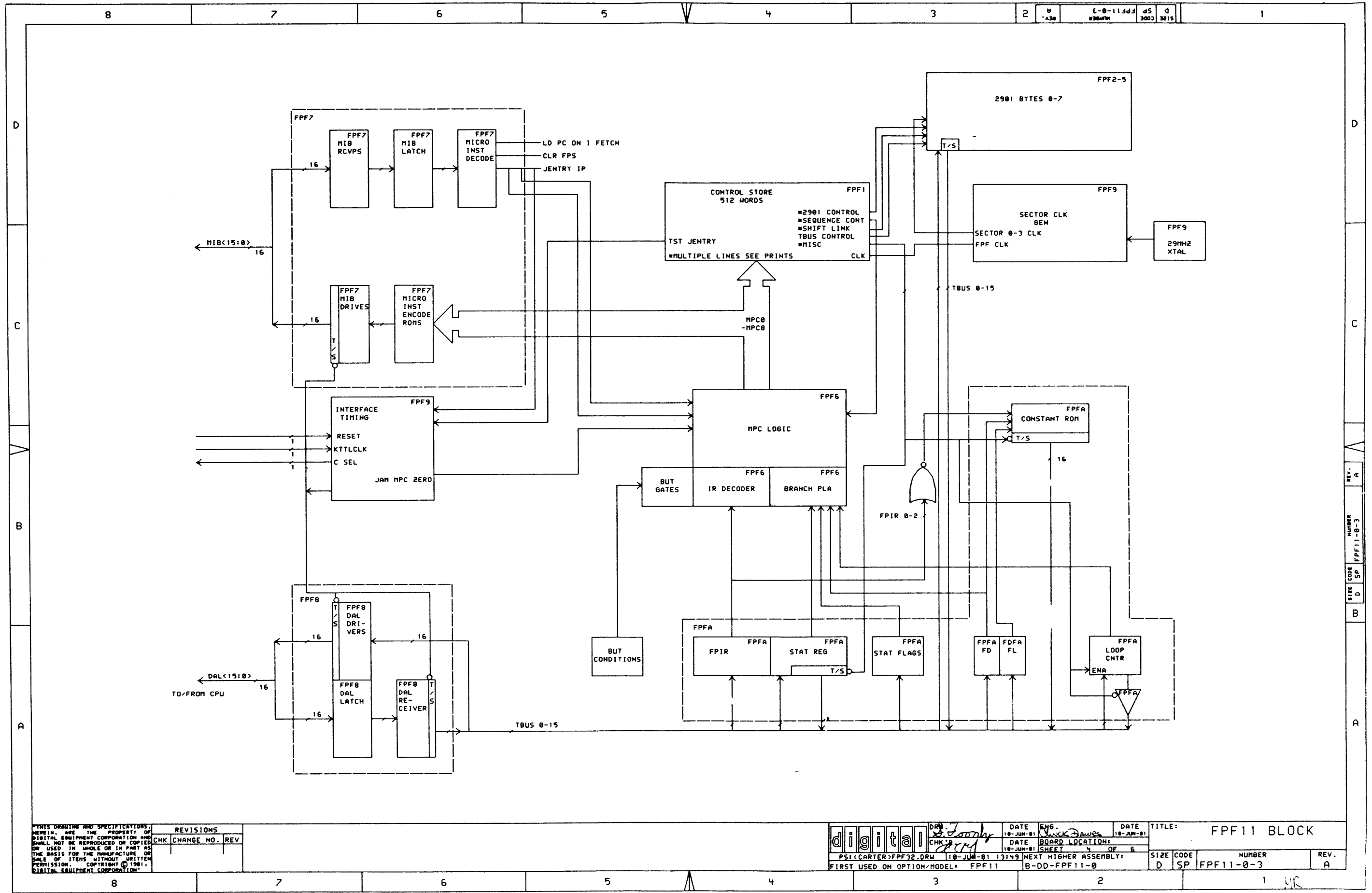
REVISIONS		
CHK	CHANGE NO.	REV

digital DRW. *J. J. J.* DATE *10-JUN-81* ENG. *Clark Danks* DATE *10-JUN-81*
 CHK'D *AKM* DATE *10-JUN-81* BOARD LOCATION:
 PS: (CARTER) FPF39.DRW 10-JUN-81 13:55 NEXT HIGHER ASSEMBLY:
 FIRST USED ON OPTION/MODEL: FPF11 B-DD-FPF11-0

TITLE: BUT CONTRIBUTION TABLE			
SIZE CODE	NUMBER	REV.	
D FD	FPF11-0-3	A	

REV. A
NUMBER FPF11-0-3
D B A

YR

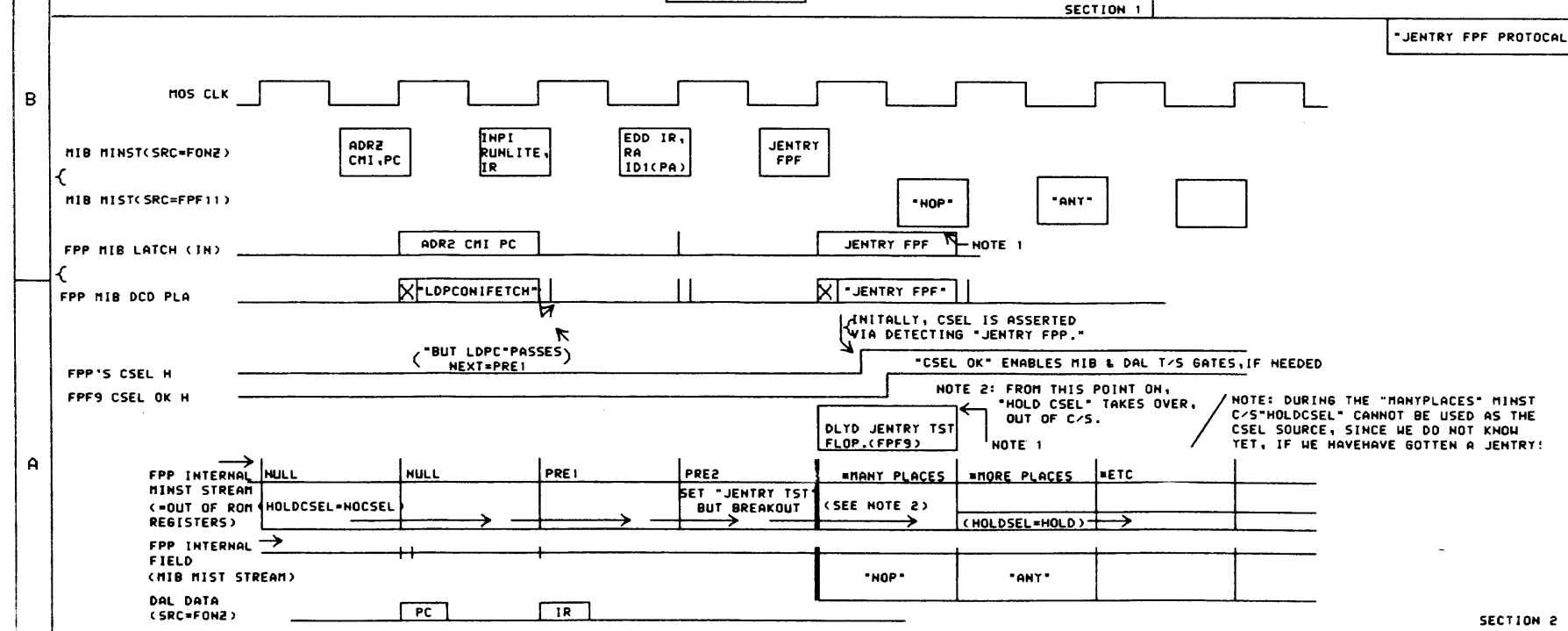
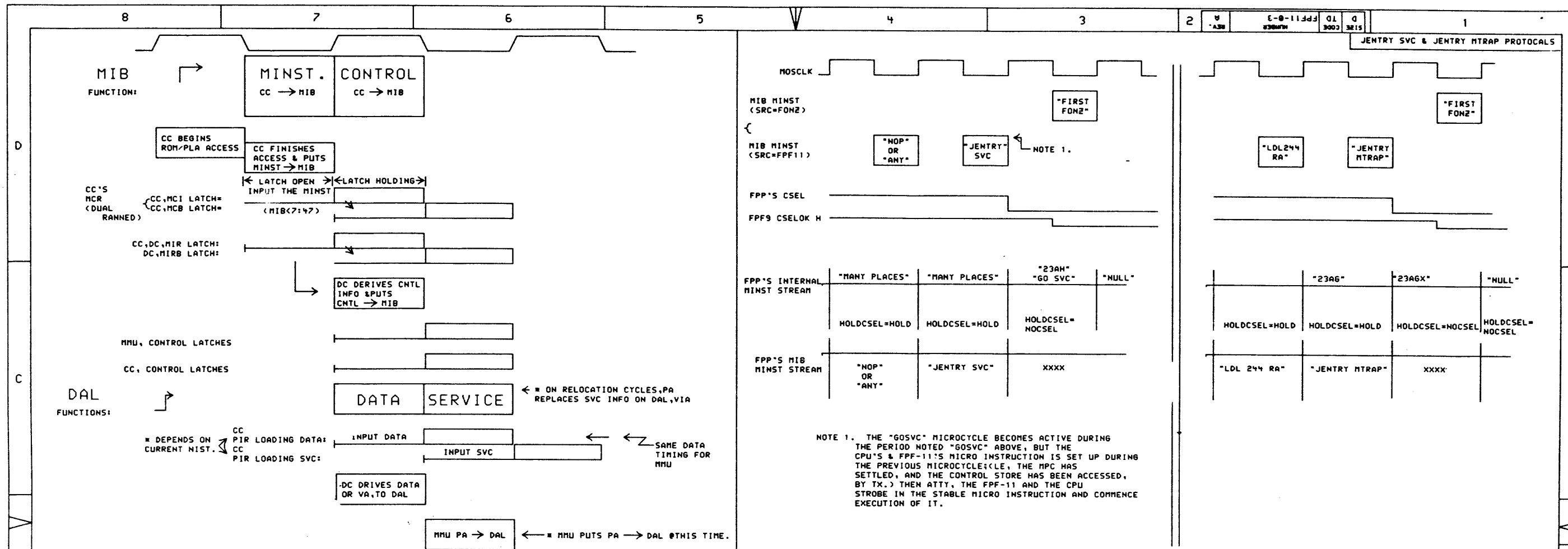


THIS DRAWING AND SPECIFICATIONS HEREIN, ARE THE PROPERTY OF DIGITAL EQUIPMENT CORPORATION AND SHALL NOT BE REPRODUCED OR COPIED OR USED IN WHOLE OR IN PART AS THE BASIS FOR THE MANUFACTURE OR SALE OF ITEMS WITHOUT WRITTEN PERMISSION. COPYRIGHT © 1981. DIGITAL EQUIPMENT CORPORATION.

REVISIONS		
CHK	CHANGE NO.	REV.

	DATE: 10-JUN-81	ENG. NAME: [Signature]	DATE: 10-JUN-81	TITLE: FPF11 BLOCK
	DATE: 10-JUN-81	CHK: [Signature]	DATE: 10-JUN-81	BOARD LOCATION: 4 OF 6
PS: CARTER: FPF32.DRW	10-JUN-81 13:49	NEXT HIGHER ASSEMBLY: B-DD-FPF11-0	SIZE CODE: D SP	NUMBER: FPF11-0-3
FIRST USED ON OPTION/MODEL: FPF11				REV. A

REV. A
 NUMBER FPF11-0-3
 SIZE CODE D SP
 B



THIS DRAWING AND SPECIFICATIONS HEREIN ARE THE PROPERTY OF DIGITAL EQUIPMENT CORPORATION AND SHALL NOT BE REPRODUCED OR COPIED OR USED IN WHOLE OR IN PART AS THE BASIS FOR THE MANUFACTURE OR SALE OF ITEMS WITHOUT WRITTEN PERMISSION. COPYRIGHT © 1981. DIGITAL EQUIPMENT CORPORATION.

REVISIONS		
CHK	CHANGE NO.	REV

digital DR: *Tommy* DATE: 11-JUN-81 ENG: *Mike Daves* DATE: 11-JUN-81 TITLE: FPF11 H/W ARCH AND TRAINING INFO.

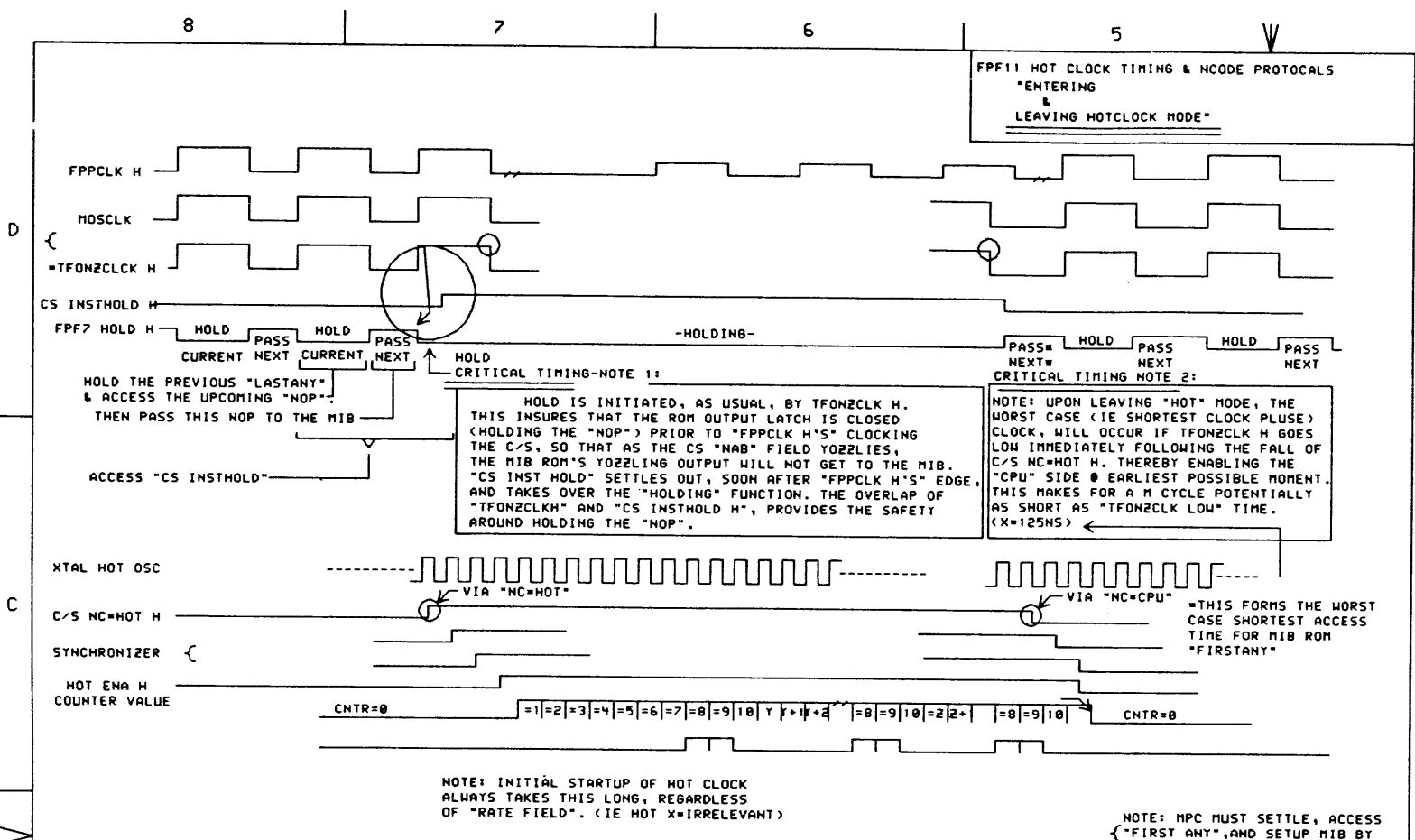
PS: <CARTER> TMI.DRW 11-JUN-81 09:20 DATE: 11-JUN-81 SHEET: 5 OF 6 NEXT HIGHER ASSEMBLY: B-DD-FPF11-0

FIRST USED ON OPTION/MODEL: FPF11

SIZE CODE	NUMBER	REV.
D TD	FPF11-0-3	A

REV. A
B
C
D
E
F
G
H
I
J
K
L
M
N
O
P
Q
R
S
T
U
V
W
X
Y
Z
AA
AB
AC
AD
AE
AF
AG
AH
AI
AJ
AK
AL
AM
AN
AO
AP
AQ
AR
AS
AT
AU
AV
AW
AX
AY
AZ
BA
BB
BC
BD
BE
BF
BG
BH
BI
BJ
BK
BL
BM
BN
BO
BP
BQ
BR
BS
BT
BU
BV
BW
BX
BY
BZ
CA
CB
CC
CD
CE
CF
CG
CH
CI
CJ
CK
CL
CM
CN
CO
CP
CQ
CR
CS
CT
CU
CV
CW
CX
CY
CZ
DA
DB
DC
DD
DE
DF
DG
DH
DI
DJ
DK
DL
DM
DN
DO
DP
DQ
DR
DS
DT
DU
DV
DW
DX
DY
DZ
EA
EB
EC
ED
EE
EF
EG
EH
EI
EJ
EK
EL
EM
EN
EO
EP
EQ
ER
ES
ET
EU
EV
EW
EX
EY
EZ
FA
FB
FC
FD
FE
FF
FG
FH
FI
FJ
FK
FL
FM
FN
FO
FP
FQ
FR
FS
FT
FU
FV
FW
FX
FY
FZ
GA
GB
GC
GD
GE
GF
GG
GH
GI
GJ
GK
GL
GM
GN
GO
GP
GQ
GR
GS
GT
GU
GV
GW
GX
GY
GZ
HA
HB
HC
HD
HE
HF
HG
HH
HI
HJ
HK
HL
HM
HN
HO
HP
HQ
HR
HS
HT
HU
HV
HW
HX
HY
HZ
IA
IB
IC
ID
IE
IF
IG
IH
II
IJ
IK
IL
IM
IN
IO
IP
IQ
IR
IS
IT
IU
IV
IW
IX
IY
IZ
JA
JB
JC
JD
JE
JF
JG
JH
JI
JJ
JK
JL
JM
JN
JO
JP
JQ
JR
JS
JT
JU
JV
JW
JX
JY
JZ
KA
KB
KC
KD
KE
KF
KG
KH
KI
KJ
KK
KL
KM
KN
KO
KP
KQ
KR
KS
KT
KU
KV
KW
KX
KY
KZ
LA
LB
LC
LD
LE
LF
LG
LH
LI
LJ
LK
LL
LM
LN
LO
LP
LQ
LR
LS
LT
LU
LV
LW
LX
LY
LZ
MA
MB
MC
MD
ME
MF
MG
MH
MI
MJ
MK
ML
MN
MO
MP
MQ
MR
MS
MT
MU
MV
MW
MX
MY
MZ
NA
NB
NC
ND
NE
NF
NG
NH
NI
NJ
NK
NL
NM
NO
NP
NQ
NR
NS
NT
NU
NV
NW
NX
NY
NZ
OA
OB
OC
OD
OE
OF
OG
OH
OI
OJ
OK
OL
OM
ON
OO
OP
OQ
OR
OS
OT
OU
OV
OW
OX
OY
OZ
PA
PB
PC
PD
PE
PF
PG
PH
PI
PJ
PK
PL
PM
PN
PO
PP
PQ
PR
PS
PT
PU
PV
PW
PX
PY
PZ
QA
QB
QC
QD
QE
QF
QG
QH
QI
QJ
QK
QL
QM
QN
QO
QP
QQ
QR
QS
QT
QU
QV
QW
QX
QY
QZ
RA
RB
RC
RD
RE
RF
RG
RH
RI
RJ
RK
RL
RM
RN
RO
RP
RQ
RR
RS
RT
RU
RV
RW
RX
RY
RZ
SA
SB
SC
SD
SE
SF
SG
SH
SI
SJ
SK
SL
SM
SN
SO
SP
SQ
SR
SS
ST
SU
SV
SW
SX
SY
SZ
TA
TB
TC
TD
TE
TF
TG
TH
TI
TJ
TK
TL
TM
TN
TO
TP
TQ
TR
TS
TT
TU
TV
TW
TX
TY
TZ
UA
UB
UC
UD
UE
UF
UG
UH
UI
UJ
UK
UL
UM
UN
UO
UP
UQ
UR
US
UT
UU
UV
UW
UX
UY
UZ
VA
VB
VC
VD
VE
VF
VG
VH
VI
VJ
VK
VL
VM
VN
VO
VP
VQ
VR
VS
VT
VU
VV
VW
VX
VY
VZ
WA
WB
WC
WD
WE
WF
WG
WH
WI
WJ
WK
WL
WM
WN
WO
WP
WQ
WR
WS
WT
WU
WV
WW
WX
WY
WZ
XA
XB
XC
XD
XE
XF
XG
XH
XI
XJ
XK
XL
XM
XN
XO
XP
XQ
XR
XS
XT
XU
XV
XW
XX
XY
XZ
YA
YB
YC
YD
YE
YF
YG
YH
YI
YJ
YK
YL
YM
YN
YO
YP
YQ
YR
YS
YT
YU
YV
YW
YX
YZ
ZA
ZB
ZC
ZD
ZE
ZF
ZG
ZH
ZI
ZJ
ZK
ZL
ZM
ZN
ZO
ZP
ZQ
ZR
ZS
ZT
ZU
ZV
ZW
ZX
ZY
ZZ

MR



CLOCK STATUS	BASE MACHINE SYNCH'D.	DESYNC FROM BASE	HOT OPERATIONS	RESYNCA	BASE MACHINE SYNC'D.
MICROCYCLE:	A	B	C	D	E
MINST FONZ	"ANY"	"LAST ANY"	"NOP"	"NOP"	"MORE ANY"
"C/SNC = "	"NC=CPU"	"NC=CPU"	"NC=HOTX"	"NC=CPU"	"NC=CPU"
"C/S INST HOLD"	"PASS"	(LAST CPU RATE)	"HOLD"	"HOLD"	"PASS"



2901 & TBUS RESOURCE REGISTER LAYOUTS

17	FUR 17 (WORKING REGISTER)	FEA	#FPS TEMP	
16	FUR 16 (WORKING REGISTER)	FEA TEMP	FCCR	
15			FEC	
14	ZEROS			E FSRC ← E14
13	ZEROS			E AC ← E13
12	FSRC (WORKING)			S E
11	AC			S E
10	FSRC (UNROTATED, AS FROM MEMORY)			S E
9				
8				
7				
6	AC5 (UNROTATED, AS FROM MEMORY)			S E
5	AC4			S E
4	AC3			S E
3	AC2			S E
2	AC1			S E
1	AC0			S E
0	AC0			S E

ONLY AC0 AC3 ARE ALLOWED TO BE USED FOR TRANSFERS TO AND FROM THE BASE MACHINE

2901 CLOCK SECTORS

SECT 3	SECT 2	SECT 1	SECT 0	SECT
B6	B5	B4	B3	B2
B1	B0	B7		

T-BUS BIT POSITIONS

7	0	15	0	15	0	15	0
---	---	----	---	----	---	----	---

CORRESPONDING SLICE POSITION (Y#)

63	56	55	40	39	24	23	0	7	0
----	----	----	----	----	----	----	---	---	---

REGISTER DEFINITIONS

F REG	E REG
X REG	

NOTE: SIGNALS SHOWN AS "J" ARE NON-TBUS CONNECTIONS TO THE SLICES, & AS SUCH DO NOT REQUIRE THE TBUS AS THEIR INTRACONNECT PATH. (THEY MAY REQUIRE THE ALU_START FLAGS TO BE ACTIVE).

11/34 REGISTER'S

R11	FEA
R14	LOOP COUNT
R17	ALIGNMENT COUNT
B	INDEX CONST.
BX	PC+2(FEA TEMP)

EXCESS 200 EXPONENT NORMON

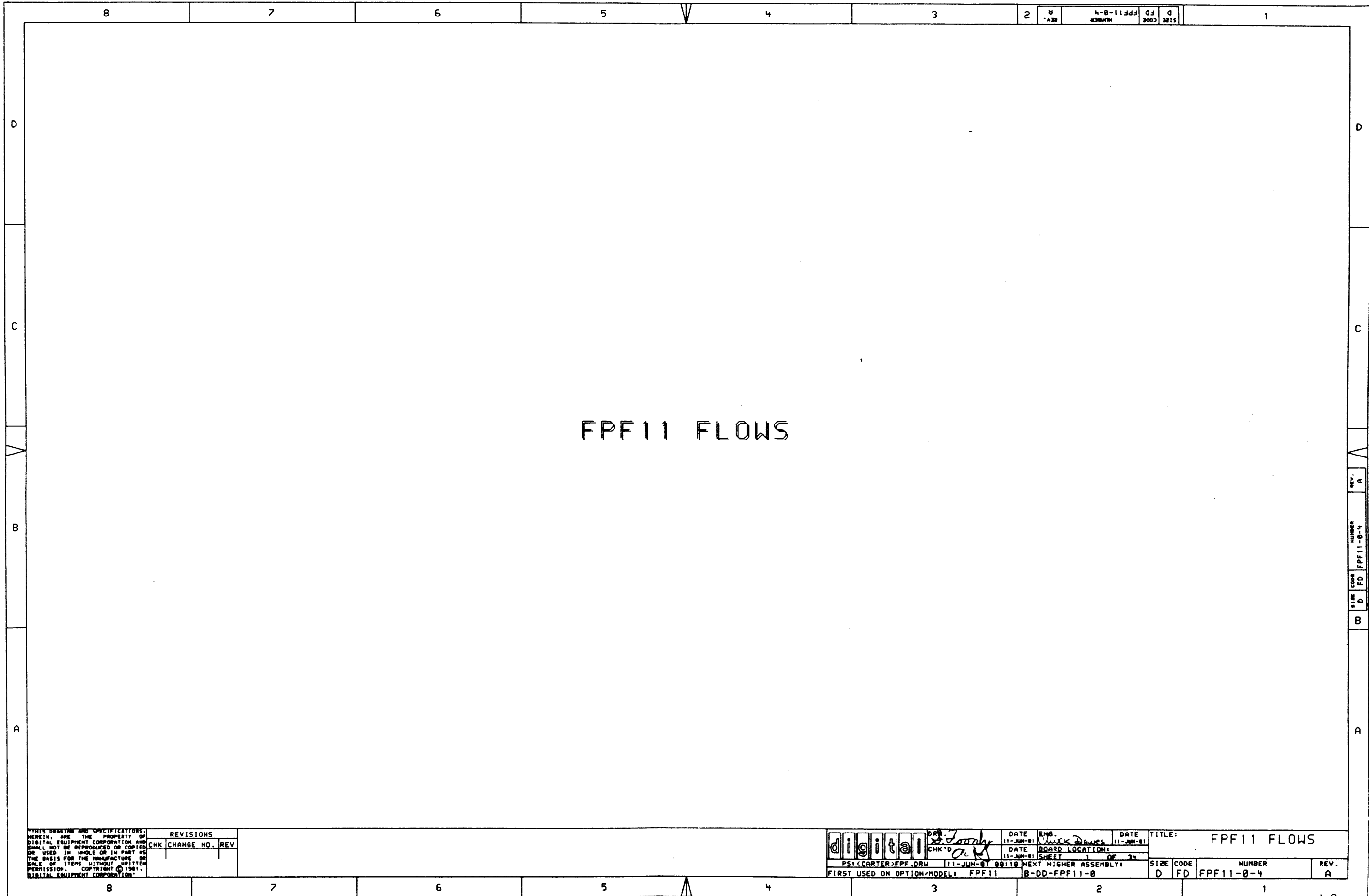
+EXP { 377 → 2##177
200 → 2##0
177 → 2##-1
1 → 2##-177
0 → 2##-200 (EXACT ZERO)

FPP INSTR. FORMATS:

F1: OC=17 FOC AC FSRC/FDST
 F2: OC=17 FOC FDST
 F3: OC=17 FOC AC SRC/DST
 F4: OC=17 FOC SRC/DST
 F5: OC=17 FOC

2901 & TBUS RESOURCE REGISTER LAYOUTS

0	GR0
1	GR1
2	GR2
3	GR3
4	GR4
5	GR5
6(SP)	GR6
7(PC)	PC
8(PS)	PS
9	WR9
A	WRA
B	WRB
C	REG SRC FIELD POINTER (IRB:6)
D	RD1 DST FIELD POINTER (IR2:0)
E	WRE
F	WRF



FPF11 FLOWS

THIS DRAWING AND SPECIFICATIONS
HEREIN ARE THE PROPERTY OF
DIGITAL EQUIPMENT CORPORATION AND
SHALL NOT BE REPRODUCED OR COPIED
OR USED IN WHOLE OR IN PART AS
THE BASIS FOR THE MANUFACTURE OR
SALE OF ITEMS WITHOUT WRITTEN
PERMISSION. COPYRIGHT © 1981
DIGITAL EQUIPMENT CORPORATION.

REVISIONS		
CHK	CHANGE NO.	REV

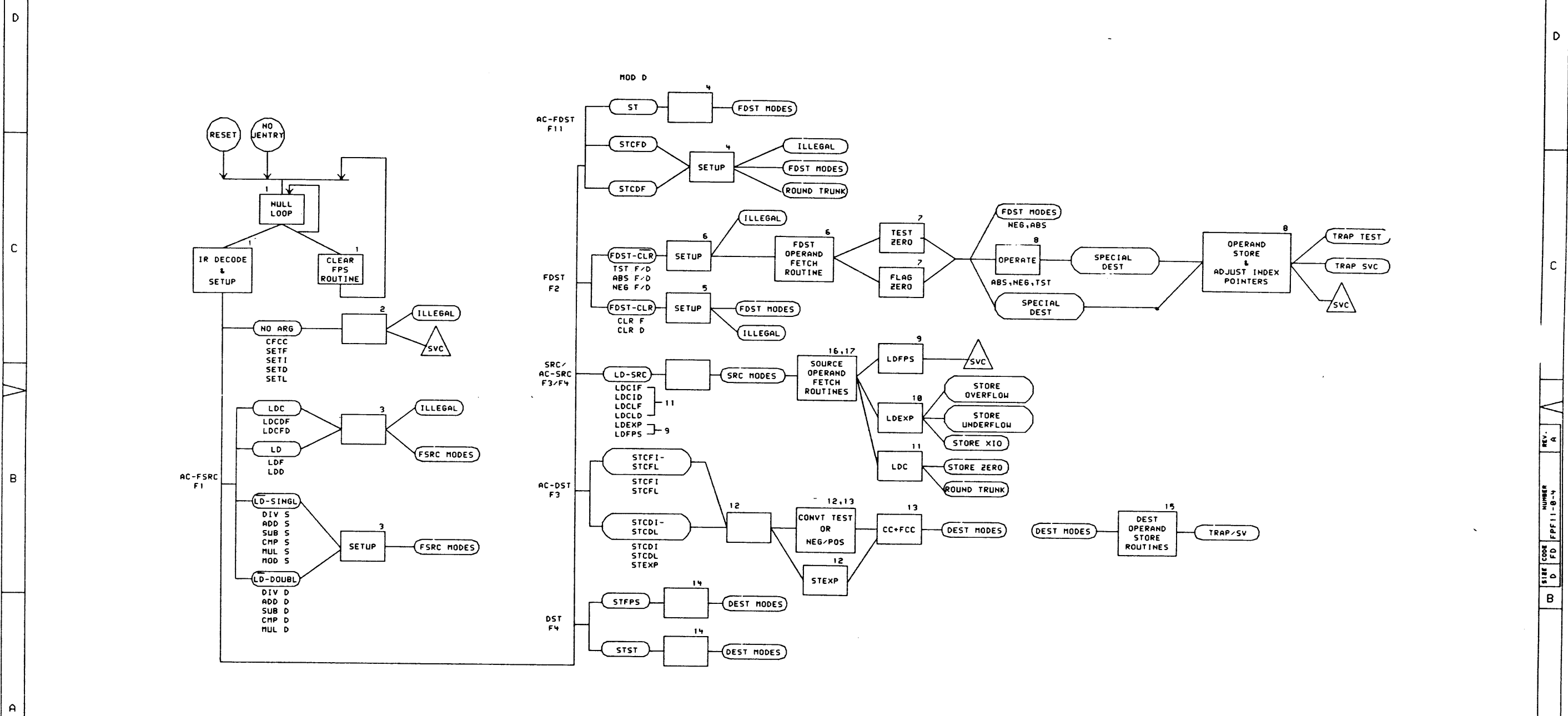
digital
PS: (CARTER) FPF.DRW
FIRST USED ON OPTION/MODEL: FPF11

DRW: *Looby*
CHK'D: *ack*
DATE: 11-JUN-81
DATE: 11-JUN-81
DATE: 11-JUN-81
BOARD LOCATION:
SHEET 1 OF 34
NEXT HIGHER ASSEMBLY:
B-DD-FPF11-0

DATE ENG: 11-JUN-81
DATE: 11-JUN-81
TITLE: FPF11 FLOWS
SIZE CODE: D FD
NUMBER: FPF11-0-4
REV: A

REV. A
NUMBER FPF11-0-4
SIZE CODE FD

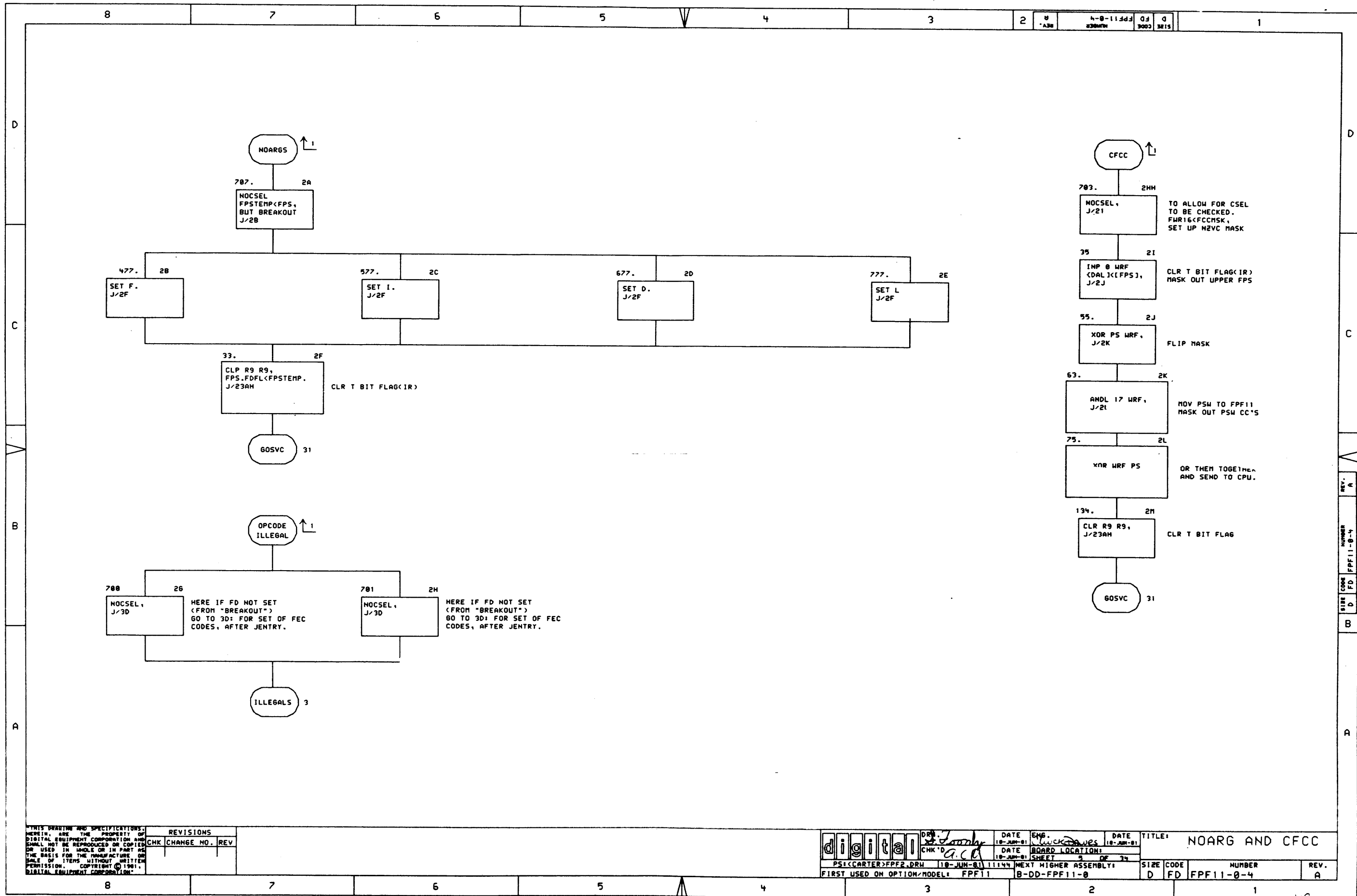
MR



THIS DRAWING AND SPECIFICATIONS HEREIN ARE THE PROPERTY OF DIGITAL EQUIPMENT CORPORATION AND SHALL NOT BE REPRODUCED OR COPIED OR USED IN WHOLE OR IN PART AS THE BASIS FOR THE MANUFACTURE OR SALE OF ITEMS WITHOUT WRITTEN PERMISSION. COPYRIGHT © 1981, DIGITAL EQUIPMENT CORPORATION.

REVISIONS		
CHK	CHANGE NO.	REV

digital	DATE	11-JUN-81	ENG.	DATE	11-JUN-81	TITLE:	TOP DOWN FLOW 1	
	CHK'D	02/03	DATE	11-JUN-81	BOARD LOCATION:	SHEET	2 OF 24	
PSI/CARTER/COMCD.DRW	11-JUN-81	09107	NEXT HIGHER ASSEMBLY:	B-DD-PPF11-0	SIZE CODE	D	FD	
FIRST USED ON OPTION/MODEL:	PPF11				NUMBER	PPF11-0-4	REV.	A



THIS DRAWING AND SPECIFICATIONS, HEREIN, ARE THE PROPERTY OF DIGITAL EQUIPMENT CORPORATION AND SHALL NOT BE REPRODUCED OR COPIED OR USED IN WHOLE OR IN PART AS THE BASIS FOR THE MANUFACTURE OR SALE OF ITEMS WITHOUT WRITTEN PERMISSION. COPYRIGHT © 1981, DIGITAL EQUIPMENT CORPORATION.

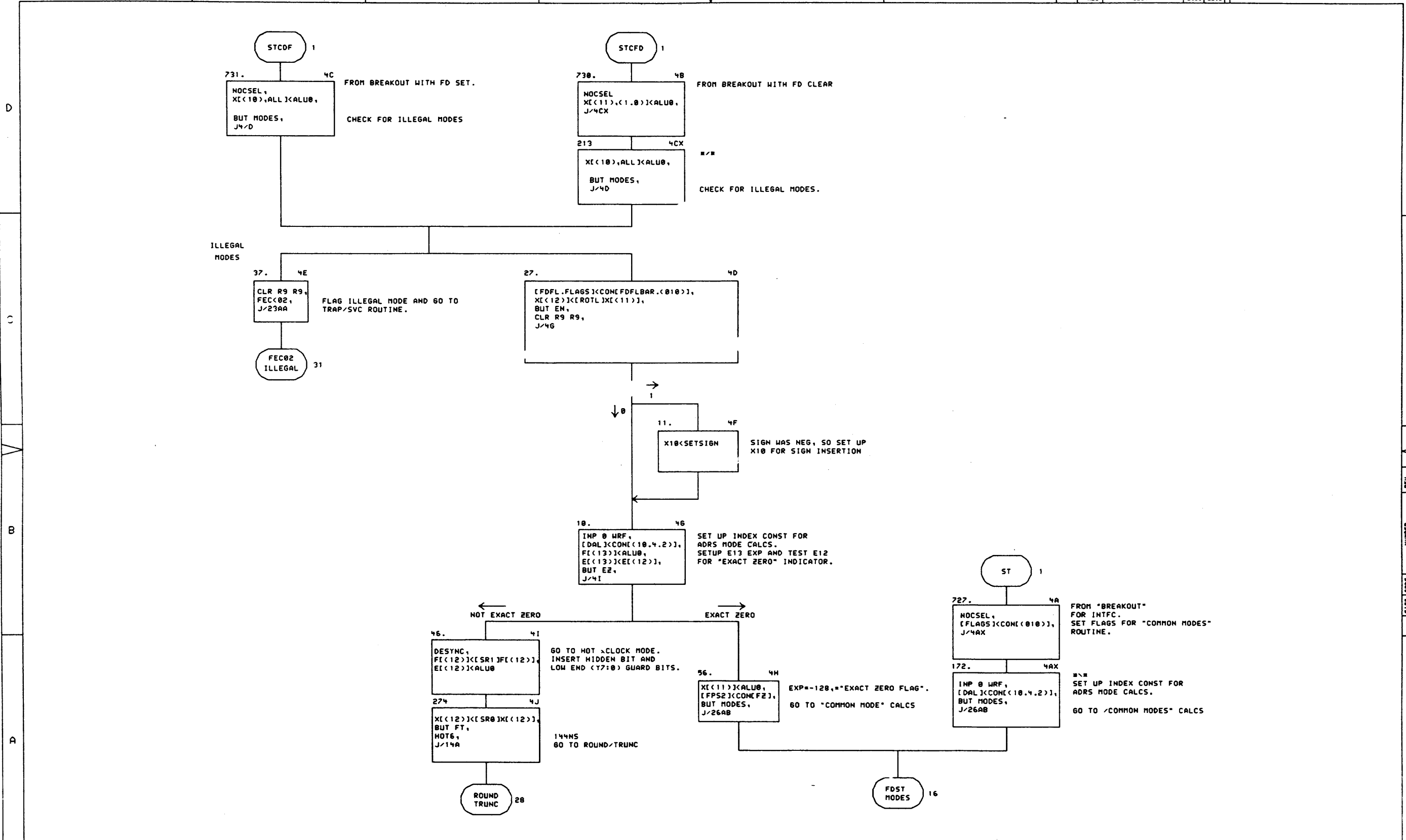
REVISIONS	
CHK	CHANGE NO. REV

digital	DRY. <i>J. J. J.</i>	DATE 10-JUN-81	ENG. <i>W. C. Jones</i>	DATE 10-JUN-81	TITLE: NOARG AND CFCC
	CHK'D <i>ack</i>	DATE 10-JUN-81	BOARD LOCATION:	SHEET 5 OF 34	
PS1CARTER>FPF2.DRW		10-JUN-81	11144	NEXT HIGHER ASSEMBLY:	B-DD-FPF11-0
FIRST USED ON OPTION/MODEL:		FPF11			

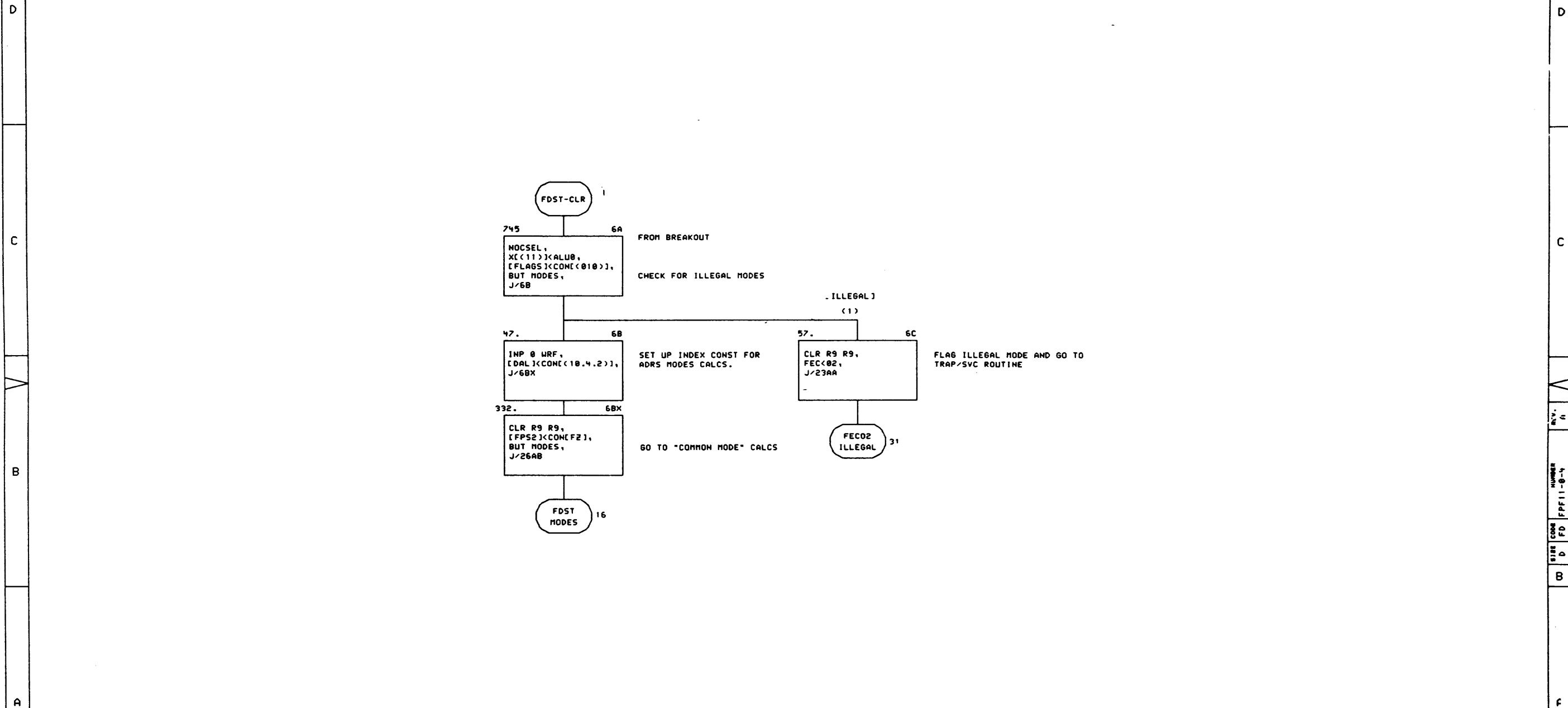
SIZE	CODE	NUMBER	REV.
D	FD	FPF11-0-4	A

REV. A
NUMBER
FFP11-0-4
CODE
FD
D
B

MR



THIS DRAWING AND SPECIFICATIONS, HEREIN, ARE THE PROPERTY OF DIGITAL EQUIPMENT CORPORATION AND SHALL NOT BE REPRODUCED OR COPIED OR USED IN WHOLE OR IN PART AS THE BASIS FOR THE MANUFACTURE OR SALE OF ITEMS WITHOUT WRITTEN PERMISSION. COPYRIGHT © 1981. DIGITAL EQUIPMENT CORPORATION.		REVISIONS CHK CHANGE NO. REV	digital DRW: J. J. J. CHK: J. C. C. PS: CARTER, PPF4, DRW FIRST USED ON OPTION/MODEL: PPF11	DATE: 10-JUN-81 DATE: 10-JUN-81 DATE: 10-JUN-81 SHEET: 2 OF 34 NEXT HIGHER ASSEMBLY: B-DD-PPF11-0	TITLE: STC, STC** SETUPS SIZE CODE: D FD NUMBER: PPF11-0-4 REV: A
---	--	--	--	---	--



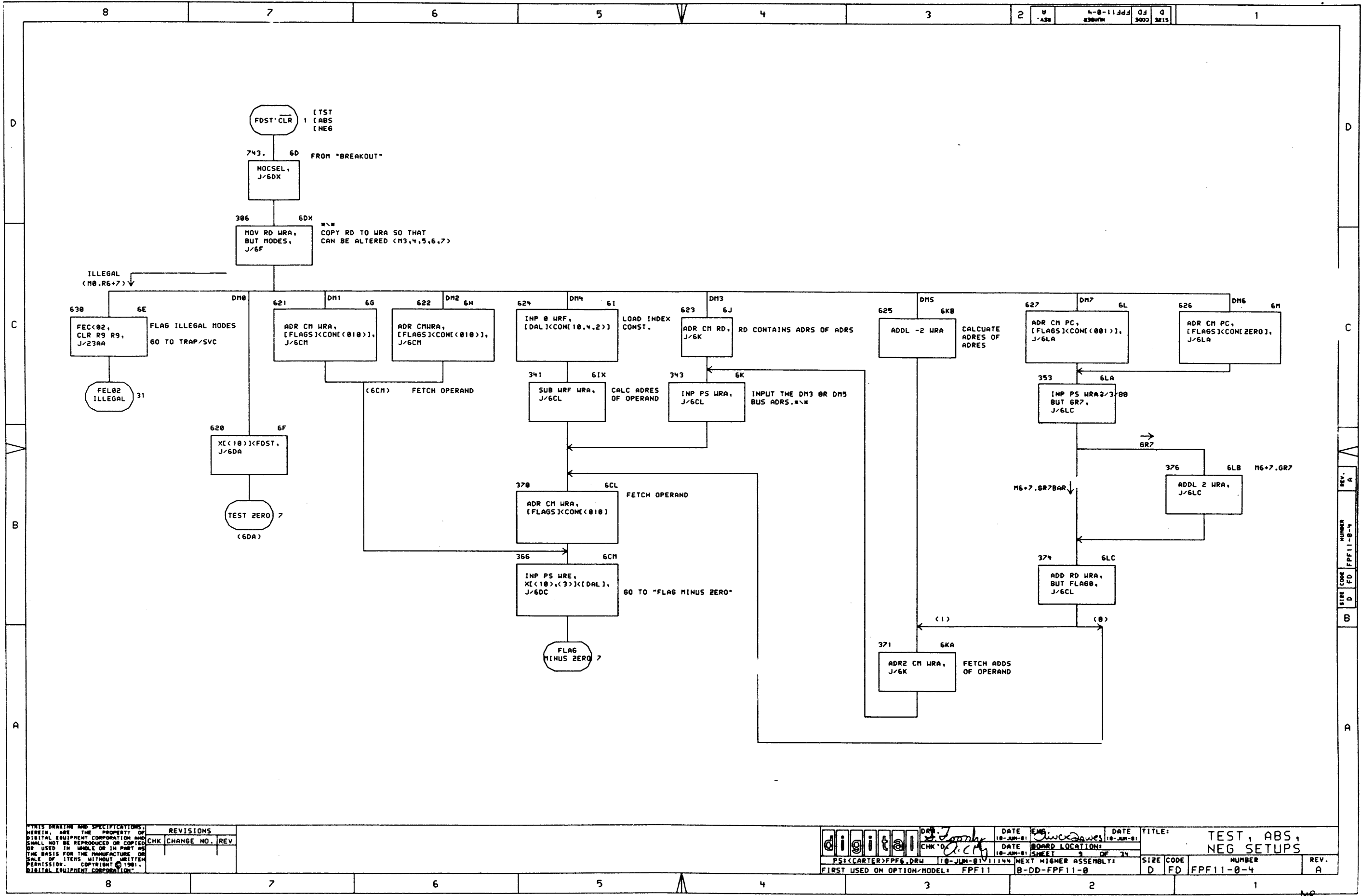
REV. 4
D FD FPF11-0-4
3000 3215

THIS DRAWING AND SPECIFICATIONS, HEREIN, ARE THE PROPERTY OF DIGITAL EQUIPMENT CORPORATION AND SHALL NOT BE REPRODUCED OR COPIED OR USED IN WHOLE OR IN PART AS THE BASIS FOR THE MANUFACTURE OR SALE OF ITEMS WITHOUT WRITTEN PERMISSION. COPYRIGHT © 1981, DIGITAL EQUIPMENT CORPORATION.

REVISIONS		
CHK	CHANGE NO.	REV

digital	DRW. 7	DATE 18-JUN-81	ENG. Wickham	DATE 18-JUN-81	TITLE: CLR SETUP
	CHK'D [Signature]	DATE 18-JUN-81	BOARD LOCATION: A DE 34		
PS1<CARTER>FPF5.DRW		18-JUN-81 1144	NEXT HIGHER ASSEMBLY: B-DD-FPF11-0	SIZE CODE D FD	NUMBER FPF11-0-4
FIRST USED ON OPTION/MODEL: FPF11					REV. A

MR



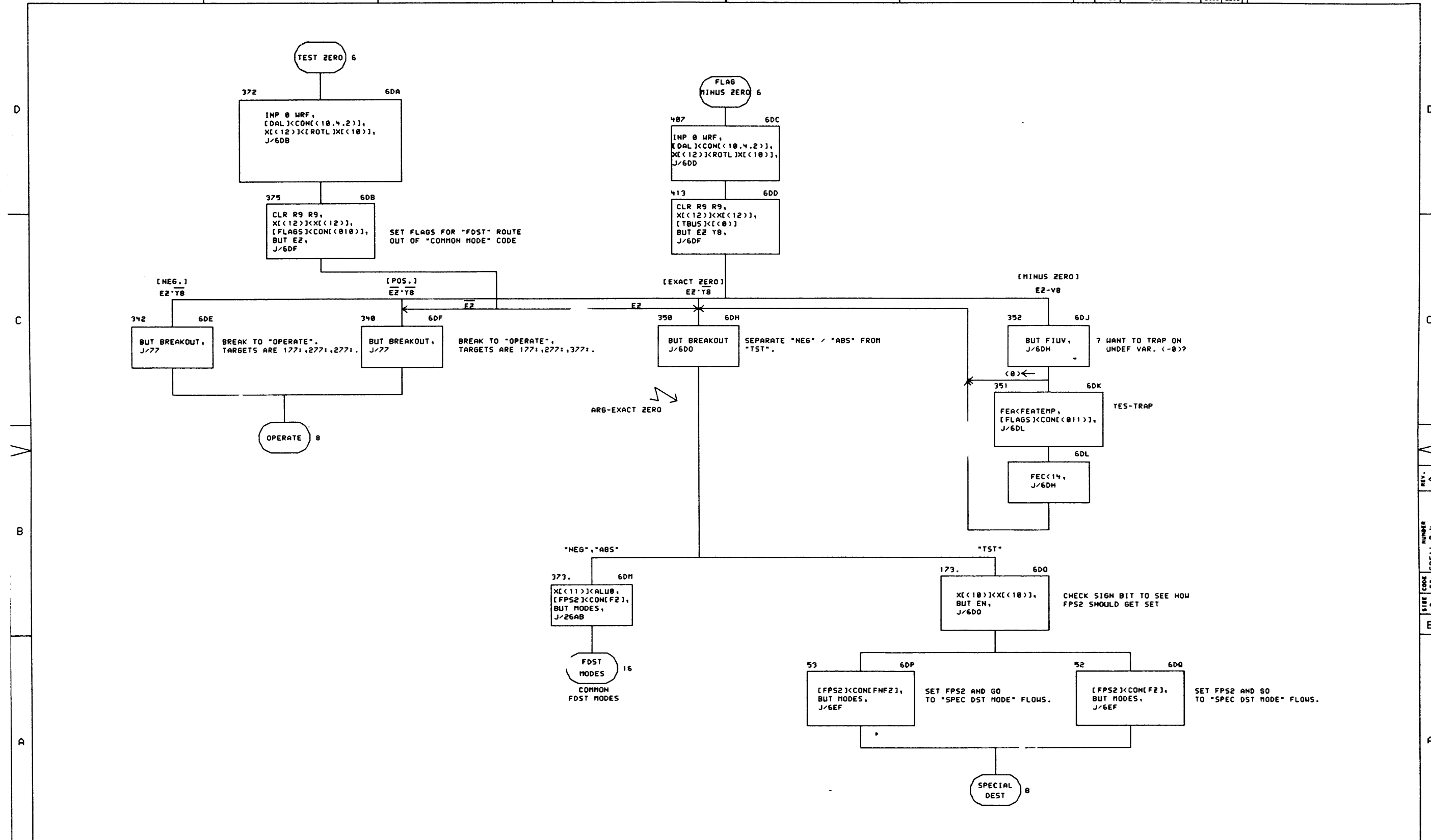
THIS DRAWING AND SPECIFICATIONS, HEREIN, ARE THE PROPERTY OF DIGITAL EQUIPMENT CORPORATION AND SHALL NOT BE REPRODUCED OR COPIED OR USED IN WHOLE OR IN PART AS THE BASIS FOR THE MANUFACTURE OR SALE OF ITEMS WITHOUT WRITTEN PERMISSION. COPYRIGHT © 1981, DIGITAL EQUIPMENT CORPORATION.

REVISIONS		
CHK	CHANGE NO.	REV

DATE: 18-JUN-81	DATE: 18-JUN-81	TITLE: TEST, ABS, NEG SETUPS
CHK'D: [Signature]	DATE: 18-JUN-81	BOARD LOCATION: [Blank]
DRG: [Signature]	DATE: 18-JUN-81	SHEET: 3 OF 34
PS: [CARTER] FPF6.DRW	18-JUN-81 11:44	NEXT HIGHER ASSEMBLY: B-DD-FPF11-0
FIRST USED ON OPTION/MODEL: FPF11	B-DD-FPF11-0	

SIZE CODE: D	FD	NUMBER: FPF11-0-4	REV: A
--------------	----	-------------------	--------

SIZE CODE NUMBER REV. A
 D FD FPF11-0-4



THIS DRAWING AND SPECIFICATIONS HEREIN ARE THE PROPERTY OF DIGITAL EQUIPMENT CORPORATION AND SHALL NOT BE REPRODUCED OR COPIED OR USED IN WHOLE OR IN PART AS THE BASIS FOR THE MANUFACTURE OR SALE OF ITEMS WITHOUT WRITTEN PERMISSION. COPYRIGHT © 1981, DIGITAL EQUIPMENT CORPORATION

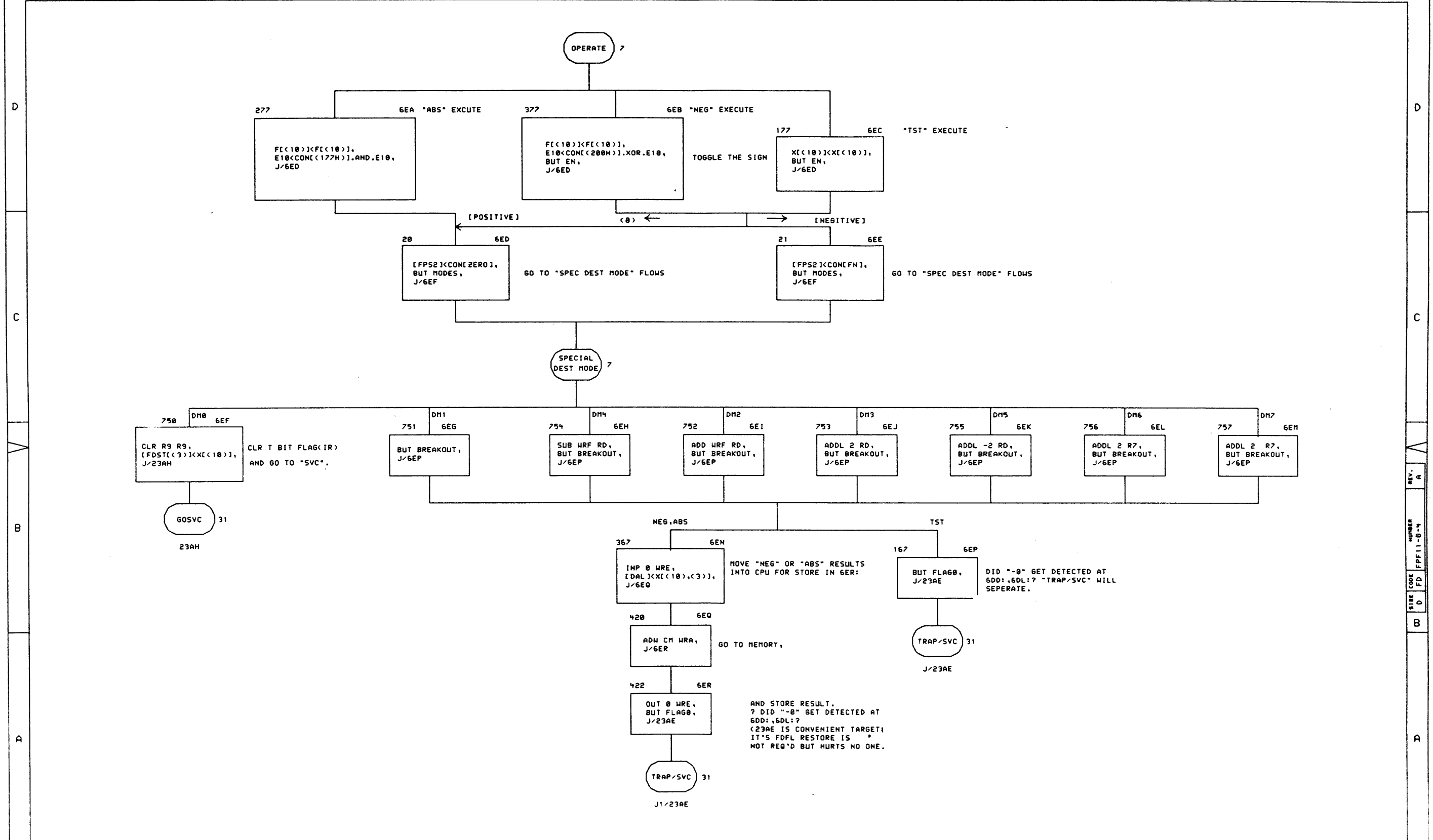
REVISIONS		
CHK	CHANGE NO.	REV

digital
DRW: J...
CHK: ...
DATE: 10-JUN-81
EMP: ...
DATE: 10-JUN-81
BOARD LOCATION: ...
SHEET: 18 OF 34
NEXT HIGHER ASSEMBLY: ...
FIRST USED ON OPTION/MODEL: FPF11 B-DD-FPF11-0

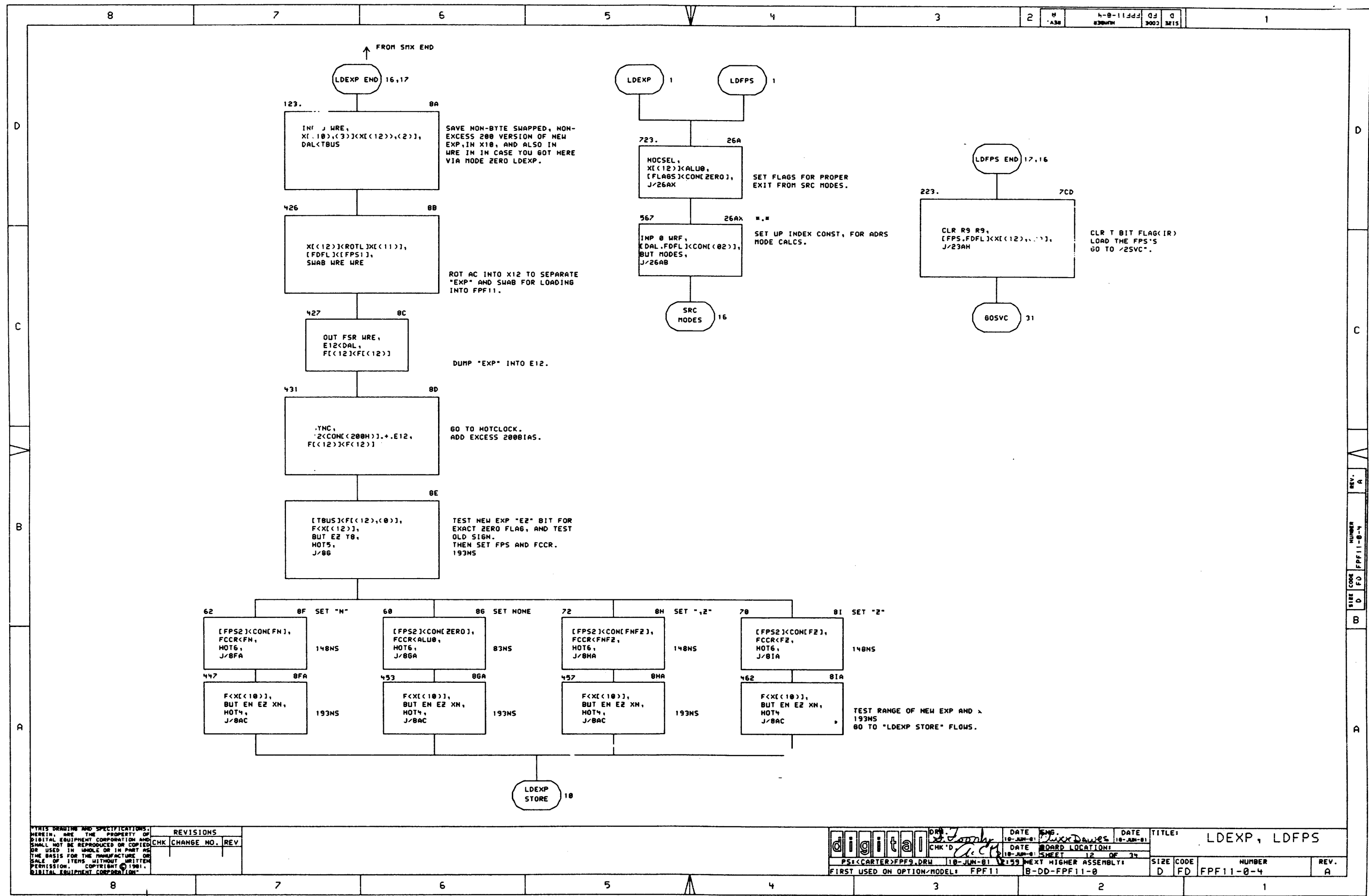
TITLE: TST, ABS, NEG: ZERO TESTS
SIZE CODE: D FD
NUMBER: FPF11-0-4
REV: A

REV. A
NUMBER FPF11-0-4
SIZE CODE FD

MR



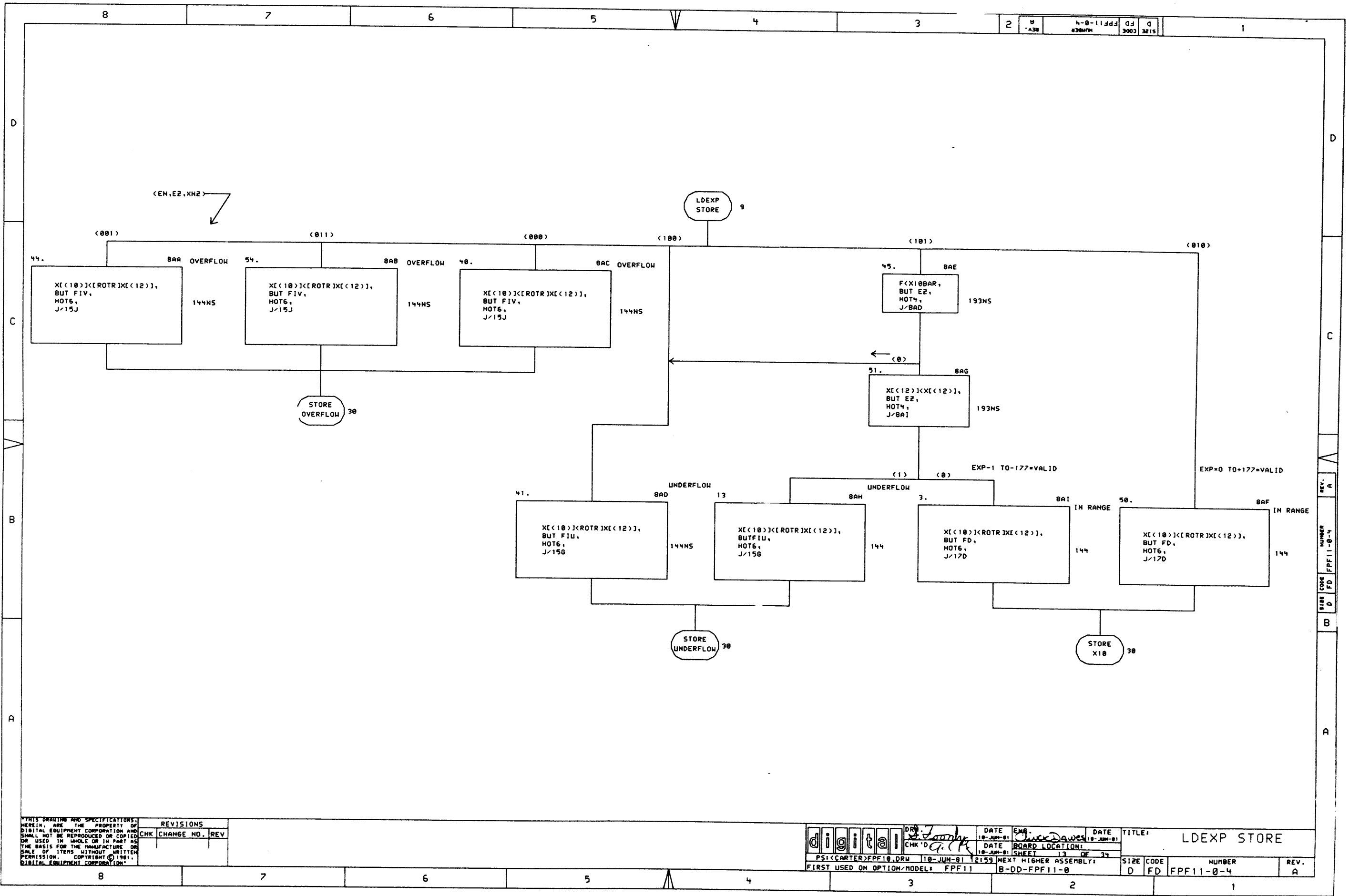
MK



THIS DRAWING AND SPECIFICATIONS, HEREIN, ARE THE PROPERTY OF DIGITAL EQUIPMENT CORPORATION AND SHALL NOT BE REPRODUCED OR COPIED OR USED IN WHOLE OR IN PART AS THE BASIS FOR THE MANUFACTURE OR SALE OF ITEMS WITHOUT WRITTEN PERMISSION. COPYRIGHT © 1981, DIGITAL EQUIPMENT CORPORATION.

REVISIONS		
CHK	CHANGE NO.	REV.

digital	DATE	10-JUN-81	DATE	10-JUN-81	TITLE	LDEXP, LDFPS		
	CHK'D		DATE		BOARD LOCATION			
PS: CARTER, PPF9, DRW		10-JUN-81	159	NEXT HIGHER ASSEMBLY:	SIZE	CODE	NUMBER	REV.
FIRST USED ON OPTION/MODEL:		FPF11	B-DD-FPF11-0		D	FD	FPF11-0-4	A

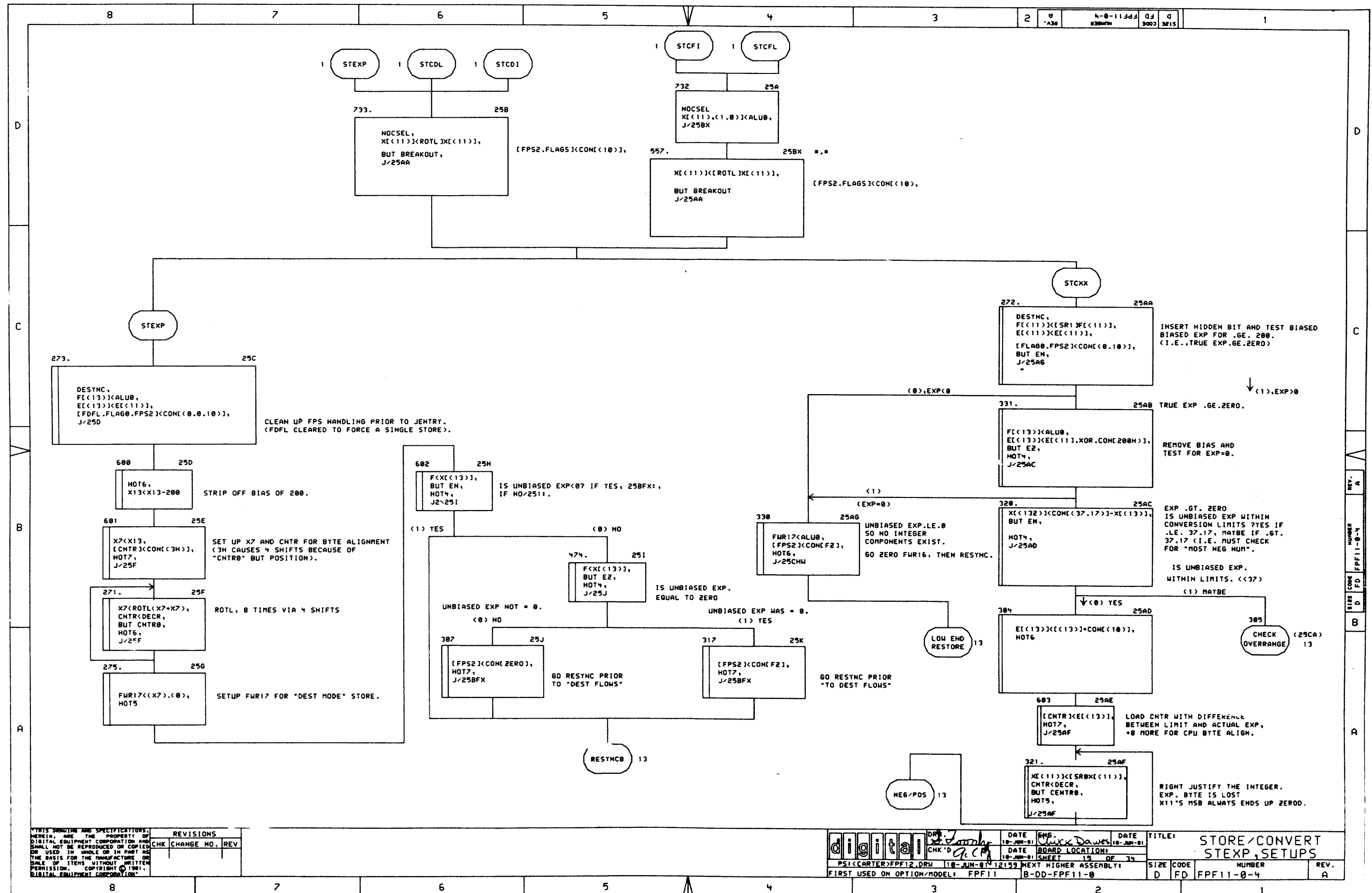


THIS DRAWING AND SPECIFICATIONS HEREIN ARE THE PROPERTY OF DIGITAL EQUIPMENT CORPORATION AND SHALL NOT BE REPRODUCED OR COPIED OR USED IN WHOLE OR IN PART AS THE BASIS FOR THE MANUFACTURE OR SALE OF ITEMS WITHOUT WRITTEN PERMISSION. COPYRIGHT © 1981, DIGITAL EQUIPMENT CORPORATION.

REVISIONS		
CHK	CHANGE NO.	REV

digital	DRY	DATE	ENG.	DATE	TITLE
	CHK'D	18-JUN-81	Jack Dawes	18-JUN-81	LDEXP STORE
PSI<CARTER>FPF11.DRW		18-JUN-81 12:59	NEXT HIGHER ASSEMBLY:	SIZE CODE NUMBER REV.	
FIRST USED ON OPTION/MODEL: FPF11		B-DD-FPF11-0		D	FD FPF11-0-4

SIZE	CODE	NUMBER	REV.
D	FD	FPF11-0-4	A



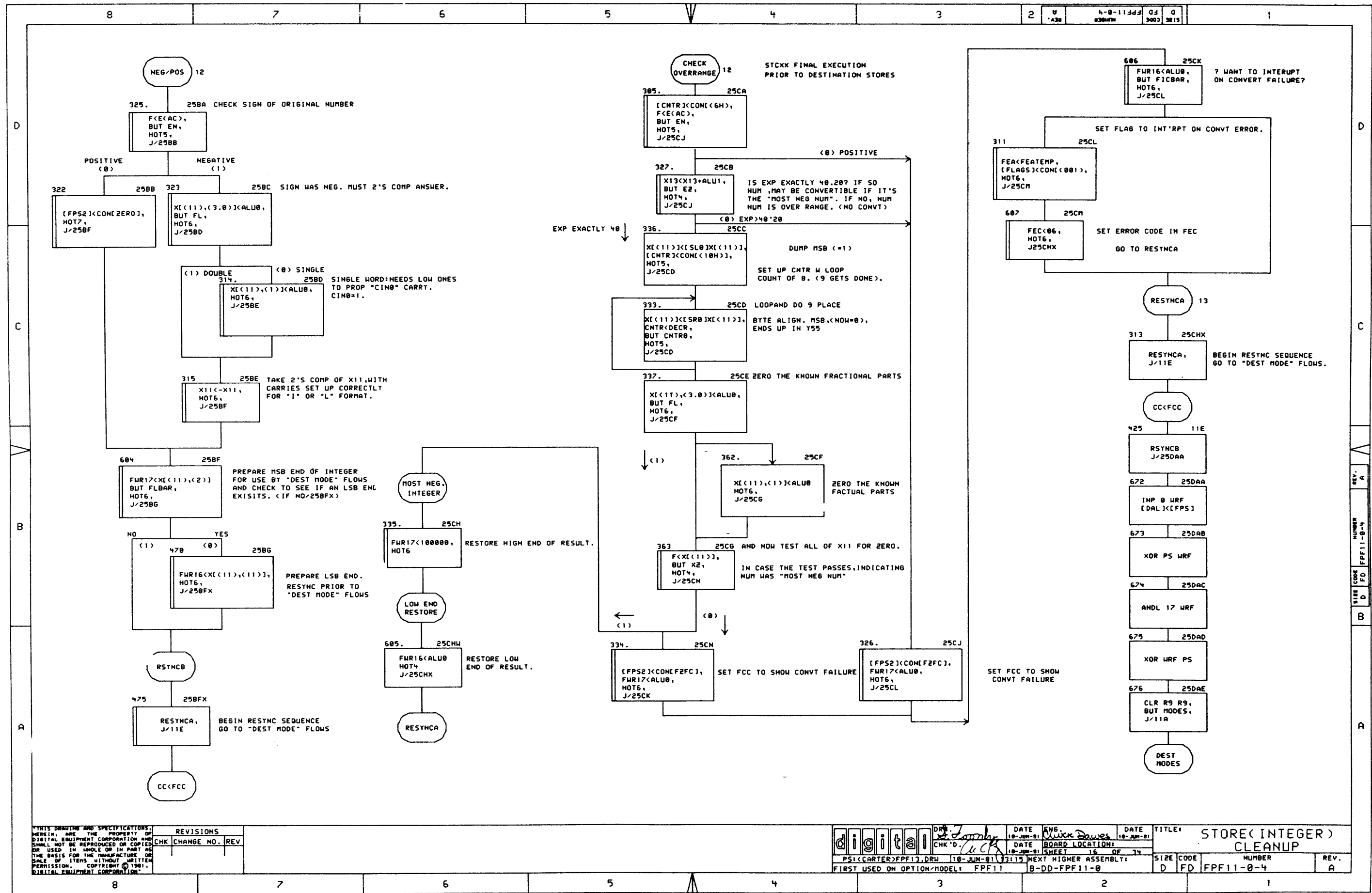
THIS DRAWING AND SPECIFICATIONS, HEREIN, ARE THE PROPERTY OF DIGITAL EQUIPMENT CORPORATION AND SHALL NOT BE REPRODUCED OR COPIED OR USED IN WHOLE OR IN PART AS THE BASIS FOR THE MANUFACTURE OR SALE OF ITEMS WITHOUT WRITTEN PERMISSION. COPYRIGHT © 1981, DIGITAL EQUIPMENT CORPORATION.

REVISIONS	
CHK	CHANGE NO. REV

	DATE: 18-JUN-81	ENG: Chuck Dawes	DATE: 18-JUN-81	TITLE: STORE/CONVERT STEXP, SETUPS
	CHK'D: [Signature]	BOARD LOCATION:	SHEET: 19 OF 34	SIZE CODE: D FD
PSI<CARTER>FPF12.DRW	18-JUN-81 12:59	NEXT HIGHER ASSEMBLY: B-DD-FPF11-0	NUMBER: FPF11-0-4	REV: A
FIRST USED ON OPTION/MODEL: FPF11				

REV. A
 NUMBER FPF11-0-4
 CODE FD
 B

MR



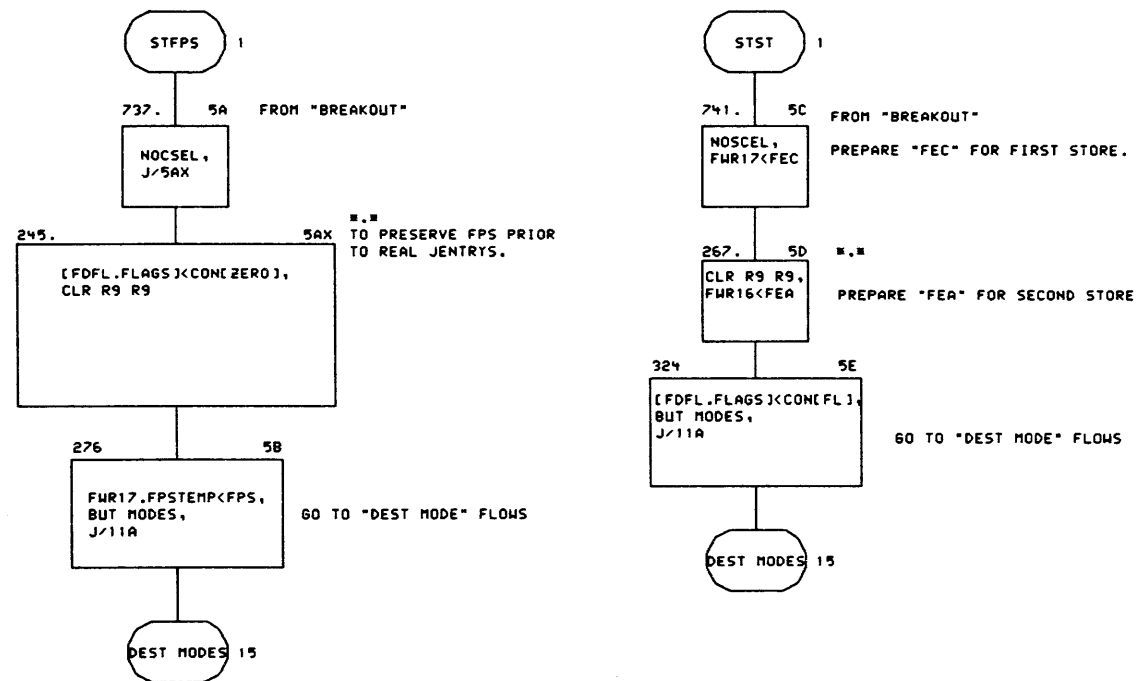
THIS DRAWING AND SPECIFICATIONS ARE THE PROPERTY OF DIGITAL EQUIPMENT CORPORATION AND SHALL NOT BE REPRODUCED OR COPIED OR USED IN WHOLE OR IN PART AS THE BASIS FOR THE MANUFACTURE OR SALE OF ITEMS WITHOUT WRITTEN PERMISSION. COPYRIGHT © 1981, DIGITAL EQUIPMENT CORPORATION.

REV.	NO.	CHANGE

digital	DATE: 10-JUN-81	DATE: 10-JUN-81	TITLE: STORE(INTEGER) CLEANUP
CHK'D: <i>[Signature]</i>	DATE: 10-JUN-81	DATE: 10-JUN-81	BOARD LOCATION: SHEET 16 OF 34
PS1<CARTER>PPF11.DRW	10-JUN-81 13:12	NEXT HIGHER ASSEMBLY: B-DD-PPF11-0	SIZE CODE: D FD
FIRST USED ON OPTION/MODEL: PPF11			NUMBER: FPF11-0-4

REV. A

MR



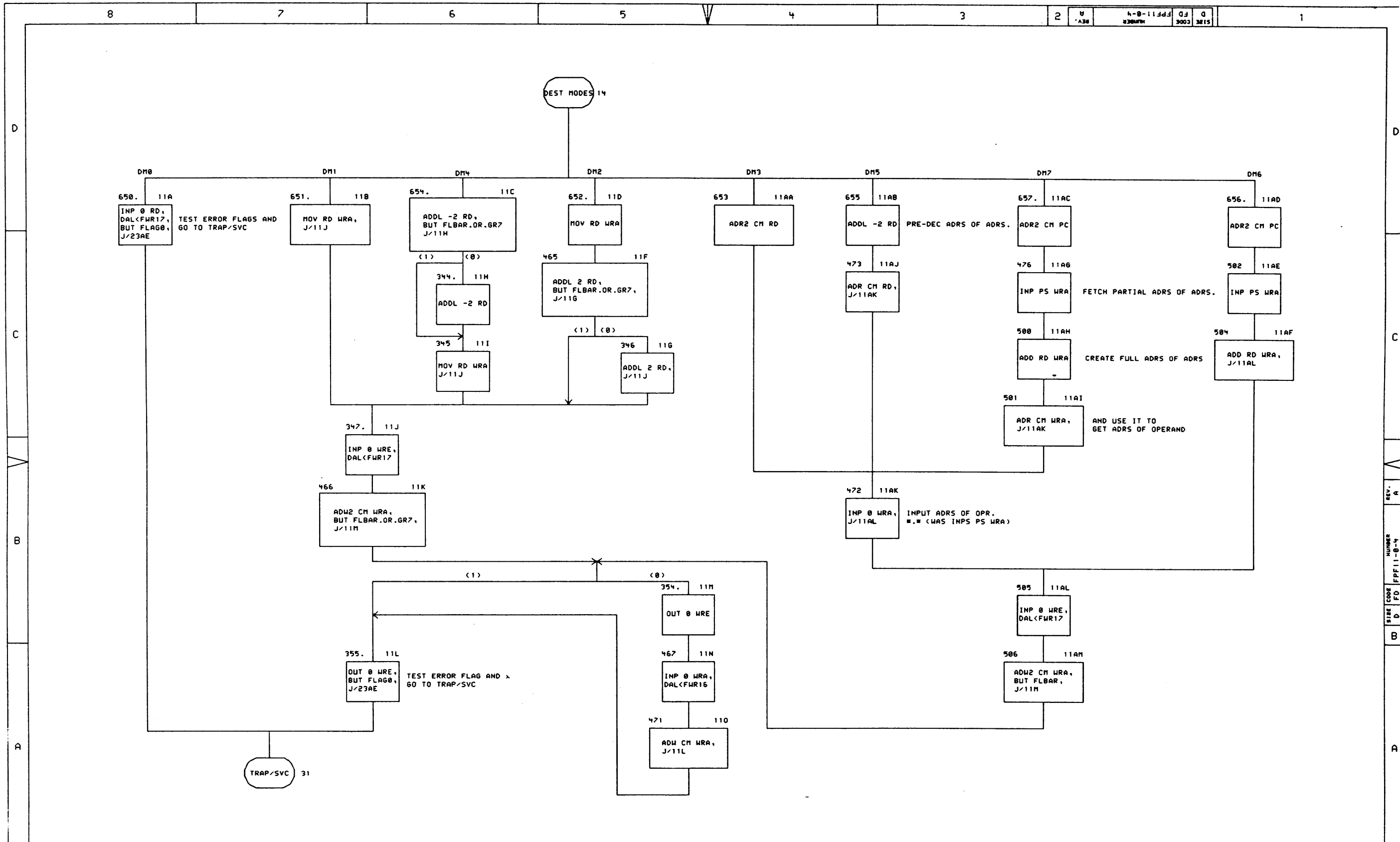
THIS DRAWING AND SPECIFICATIONS HEREIN ARE THE PROPERTY OF DIGITAL EQUIPMENT CORPORATION AND SHALL NOT BE REPRODUCED OR COPIED OR USED IN WHOLE OR IN PART AS THE BASIS FOR THE MANUFACTURE OR SALE OF ITEMS WITHOUT WRITTEN PERMISSION. COPYRIGHT © 1981. DIGITAL EQUIPMENT CORPORATION.

REVISIONS		
CHK	CHANGE NO.	REV

digital	DR. <i>Looney</i>	DATE 10-JUN-81	ENG. <i>Wick James</i>	DATE 10-JUN-81	TITLE: STFPS AND STST
	CHK'D <i>ack</i>	DATE 10-JUN-81	BOARD LOCATION:	SHEET 17 OF 24	
FIRST USED ON OPTION/MODEL: FPF11		NEXT HIGHER ASSEMBLY: B-DD-FPF11-0		SIZE CODE D FD	NUMBER FPF11-0-4

SIZE CODE	NUMBER	REV.
D FD	FPF11-0-4	A

MX



THIS DRAWING AND SPECIFICATIONS, HEREIN, ARE THE PROPERTY OF DIGITAL EQUIPMENT CORPORATION AND SHALL NOT BE REPRODUCED OR COPIED OR USED IN WHOLE OR IN PART AS THE BASIS FOR THE MANUFACTURE OR SALE OF ITEMS WITHOUT WRITTEN PERMISSION. COPYRIGHT © 1981. DIGITAL EQUIPMENT CORPORATION.

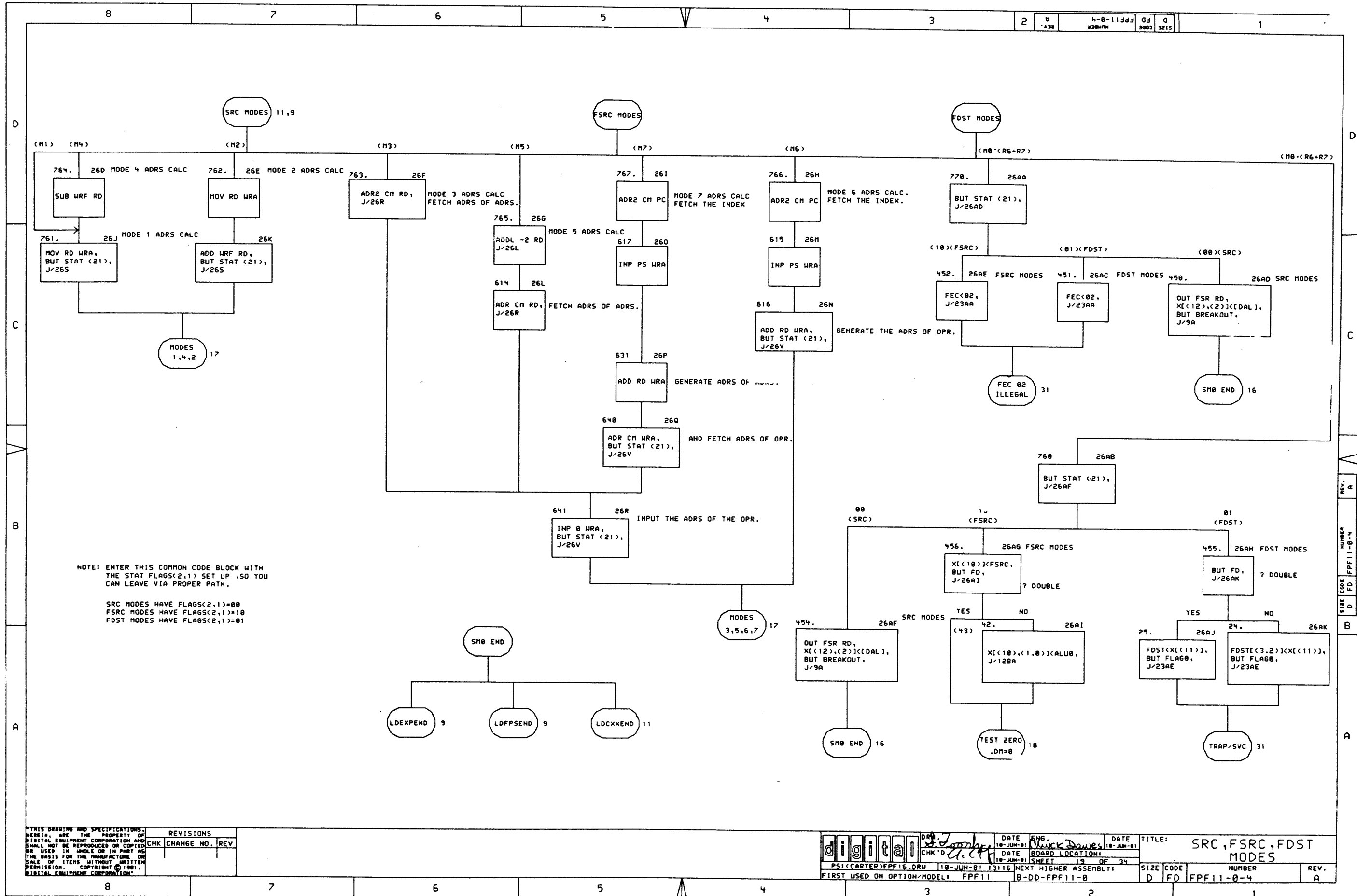
REVISIONS		
CHK	CHANGE NO.	REV

DATE: 10-JUN-81	ENG: [Signature]	DATE: 10-JUN-81	TITLE: DEST MODES
CHK'D: [Signature]	DATE: 10-JUN-81	BOARD LOCATION: 1A	
PSI<CARTER>PPF15.DRW	10-JUN-81 13:15	NEXT HIGHER ASSEMBLY: B-DD-PPF11-0	
FIRST USED ON OPTION/MODEL: PPF11			

SIZE CODE	NUMBER	REV.
D FD	PPF11-0-4	A

REV. A
NUMBER PPF11-0-4
SIZE CODE FD

M.R.

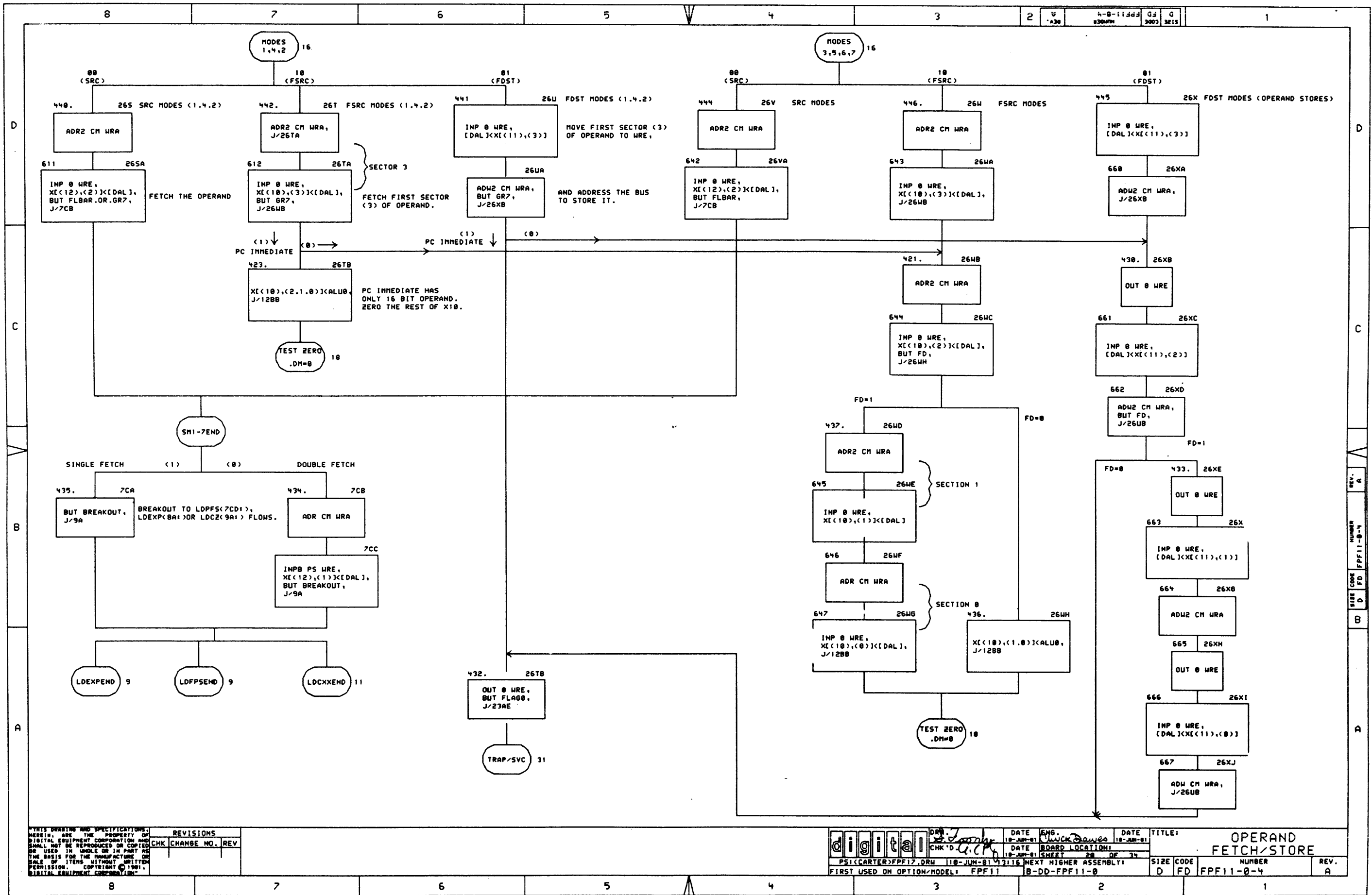


REVISIONS	
CHK	CHANGE NO. REV

	DATE ENG. 18-JUN-81	DATE 18-JUN-81	TITLE: SRC, FSRC, FDST MODES
	DATE BOARD LOCATION: 19	DATE 19	SIZE CODE NUMBER REV. D FD PPF11-0-4 A
PS: (CARTER) PPF16 DRN	18-JUN-81 13:16	NEXT HIGHER ASSEMBLY: B-DD-PPF11-0	
FIRST USED ON OPTION/MODEL: PPF11			

REV. A
 NUMBER PPF11-0-4
 SIZE CODE FD
 D FD
 B
 A

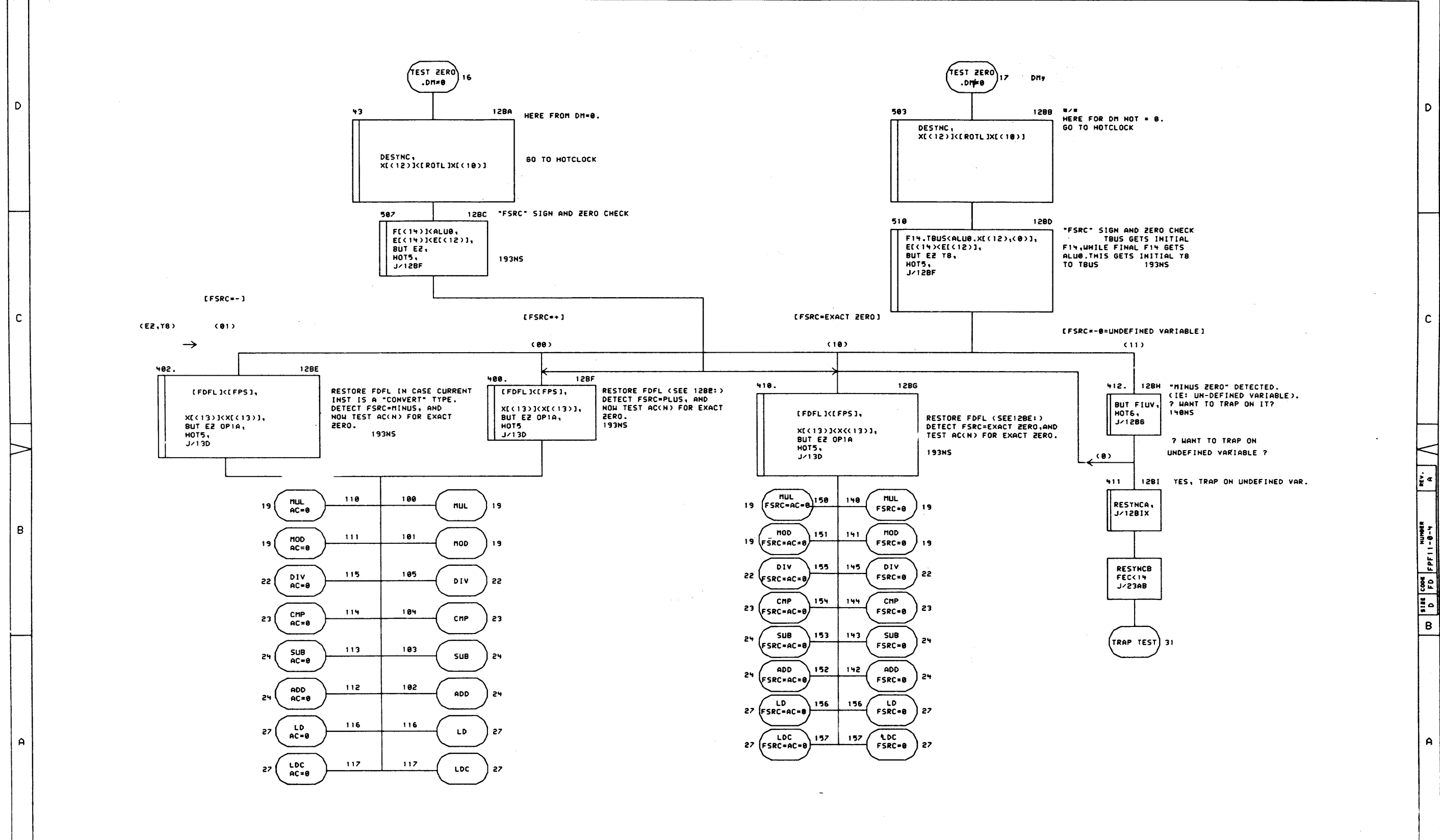
MR



REV. A
NUMBER FPF11-0-4
SIZE CODE D
FD
REV. A

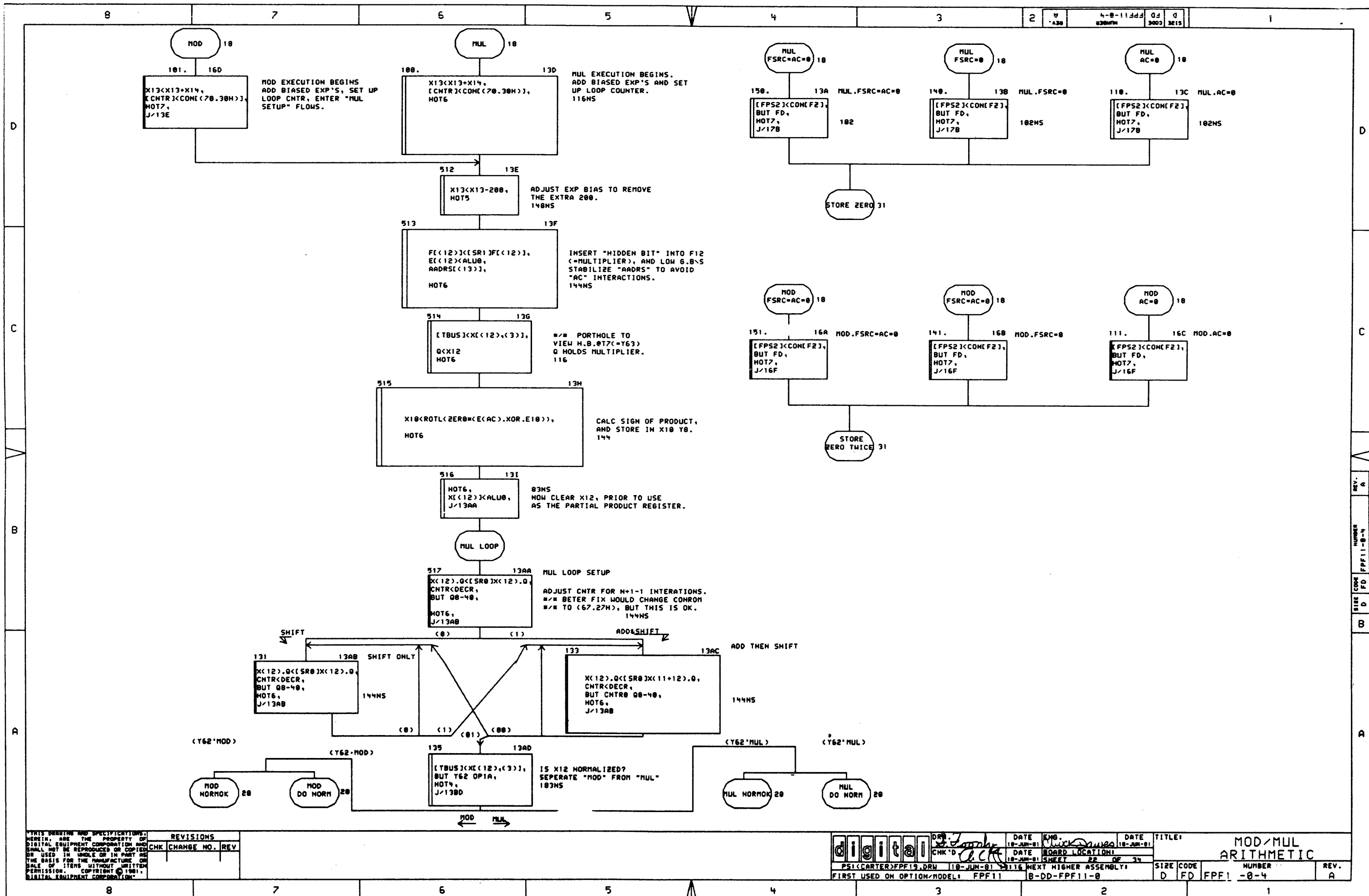
THIS DRAWING AND SPECIFICATIONS ARE THE PROPERTY OF DIGITAL EQUIPMENT CORPORATION AND SHALL NOT BE REPRODUCED OR COPIED OR USED IN WHOLE OR IN PART AS THE BASIS FOR THE MANUFACTURE OR SALE OF ITEMS WITHOUT WRITTEN PERMISSION. COPYRIGHT © 1981, DIGITAL EQUIPMENT CORPORATION.	REVISIONS CHK CHANGE NO. REV	digital DATE 18-JUN-81 DATE 18-JUN-81 SHEET 28 OF 34	DATE 18-JUN-81 DATE 18-JUN-81 SHEET 28 OF 34	TITLE: OPERAND FETCH/STORE	
	PS: (CARTER) FPF17.DRW 18-JUN-81 1316 NEXT HIGHER ASSEMBLY: B-DD-FPF11-0	SIZE CODE D	NUMBER FPF11-0-4	REV. A	

MR



THIS DRAWING AND SPECIFICATIONS, HEREIN, ARE THE PROPERTY OF DIGITAL EQUIPMENT CORPORATION AND SHALL NOT BE REPRODUCED OR COPIED OR USED IN WHOLE OR IN PART AS THE BASIS FOR THE MANUFACTURE OR SALE OF ITEMS WITHOUT WRITTEN PERMISSION. COPYRIGHT © 1981, DIGITAL EQUIPMENT CORPORATION.		REVISIONS CHK CHANGE NO. REV		digital DRG: J. J. [Signature] CHK'D: [Signature]		DATE: 10-JUN-81 DATE: 10-JUN-81	ENG: [Signature] DATE: 10-JUN-81	TITLE: ZERO CHECKS & ARITHMETIC BREAKOUTS
PS: (CARTER) FPF11.DRW 10-JUN-81 1316 NEXT HIGHER ASSEMBLY: B-DD-FPF11-0				SHEET 21 OF 24		SIZE CODE: D FD		NUMBER: FPF11-0-4
FIRST USED ON OPTION/MODEL: FPF11				SHEET 21 OF 24		REV. A		

MR

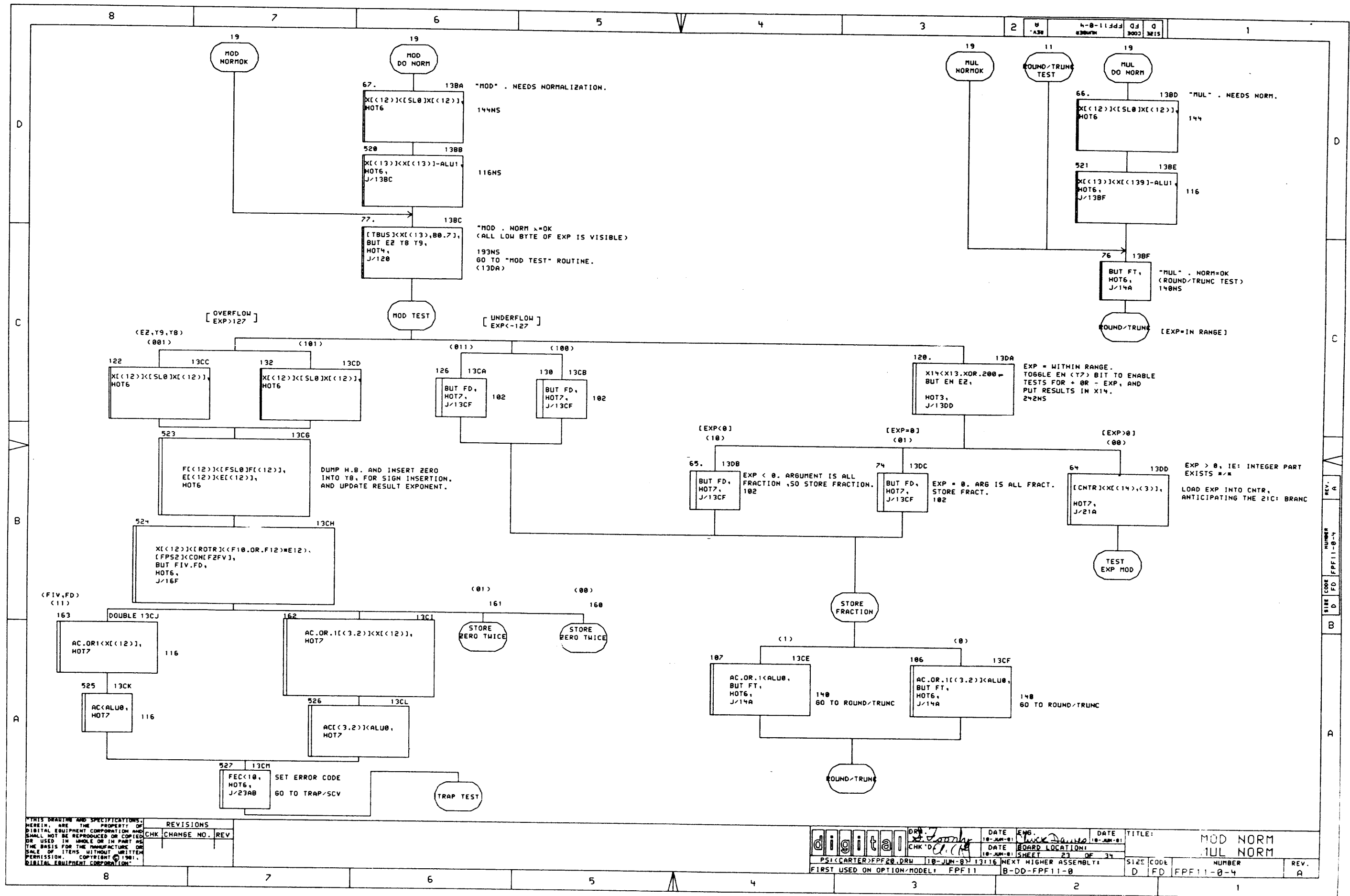


THIS DRAWING AND SPECIFICATIONS HEREIN ARE THE PROPERTY OF DIGITAL EQUIPMENT CORPORATION AND SHALL NOT BE REPRODUCED OR COPIED OR USED IN WHOLE OR IN PART AS THE BASIS FOR THE MANUFACTURE OR SALE OF ITEMS WITHOUT WRITTEN PERMISSION. COPYRIGHT © 1981, DIGITAL EQUIPMENT CORPORATION.

REVISIONS	
CHK	CHANGE NO. REV

	DATE: 18-JUN-81	DATE: 18-JUN-81	TITLE: MOD/MUL ARITHMETIC
	DATE: 18-JUN-81	DATE: 18-JUN-81	DATE: 18-JUN-81
PSI (CARTER) PPF19.DRM	18-JUN-81	116 NEXT HIGHER ASSEMBLY	SIZE CODE: D FD
FIRST USED ON OPTION MODEL: PPF11	B-DD-FPF11-8	NUMBER: -0-4	REV: A

REV. A
 NUMBER PPF11-0-4
 SIZE CODE D FD
 B

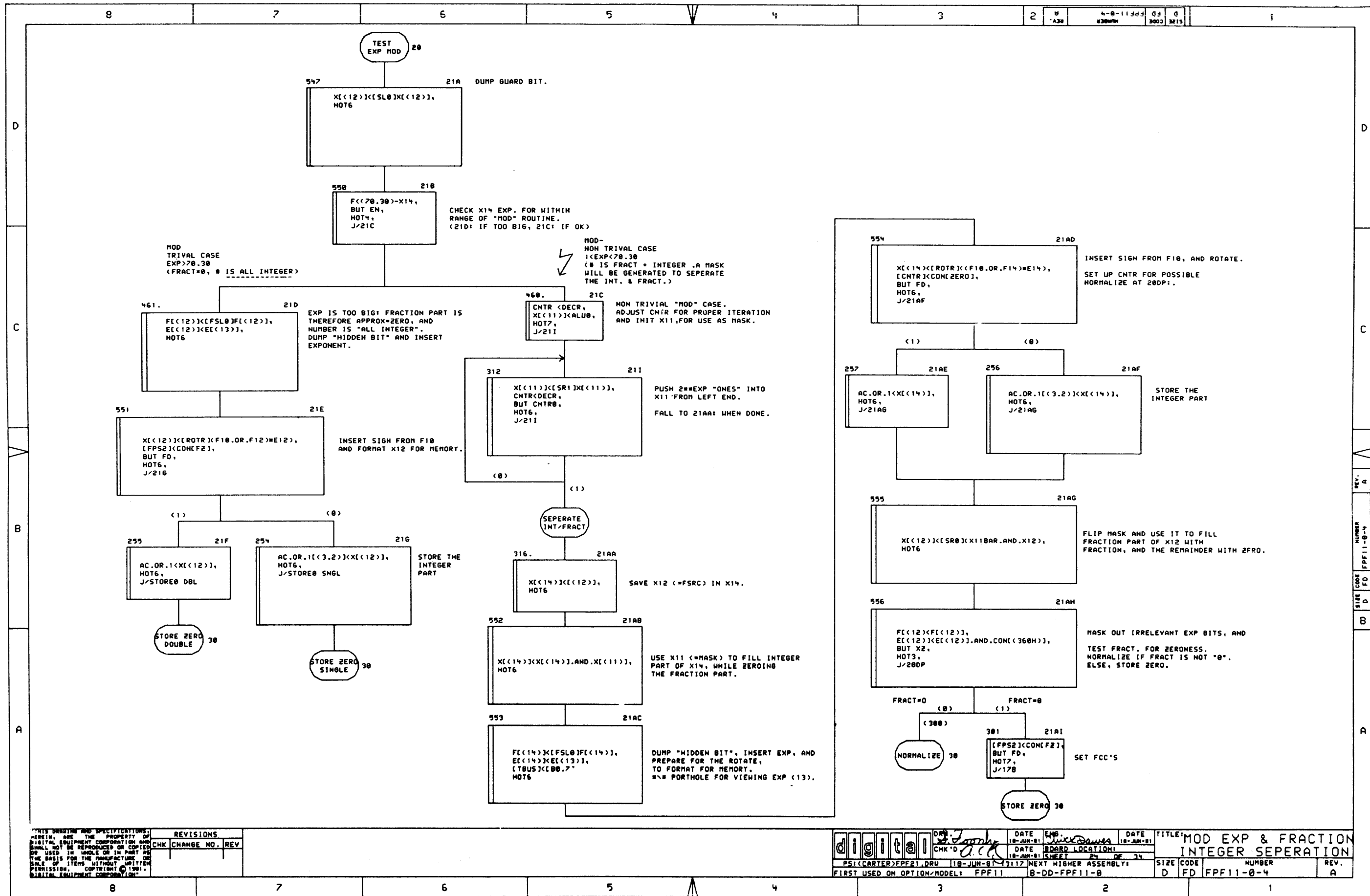


THIS DRAWING AND SPECIFICATIONS HEREIN ARE THE PROPERTY OF DIGITAL EQUIPMENT CORPORATION AND SHALL NOT BE REPRODUCED OR COPIED OR USED IN WHOLE OR IN PART AS THE BASIS FOR THE MANUFACTURE OR SALE OF ITEMS WITHOUT WRITTEN PERMISSION. COPYRIGHT © 1981, DIGITAL EQUIPMENT CORPORATION.

REVISIONS	
CHK	CHANGE NO. REV

	DRY. <i>John</i>	DATE ENG. 10-JUN-81	DATE 10-JUN-81	TITLE: MOD NORM
	CHK'D. <i>John</i>	DATE BOARD LOCATION 10-JUN-81	SHEET 23 OF 34	NUMBER 101 NORM
PS: (CARTER) FPF20.DRW 10-JUN-81 13116 NEXT HIGHER ASSEMBLY:		SIZE CODE D	FD	REV. A
FIRST USED ON OPTION/MODEL: FPF11		B-DD-FPF11-0		

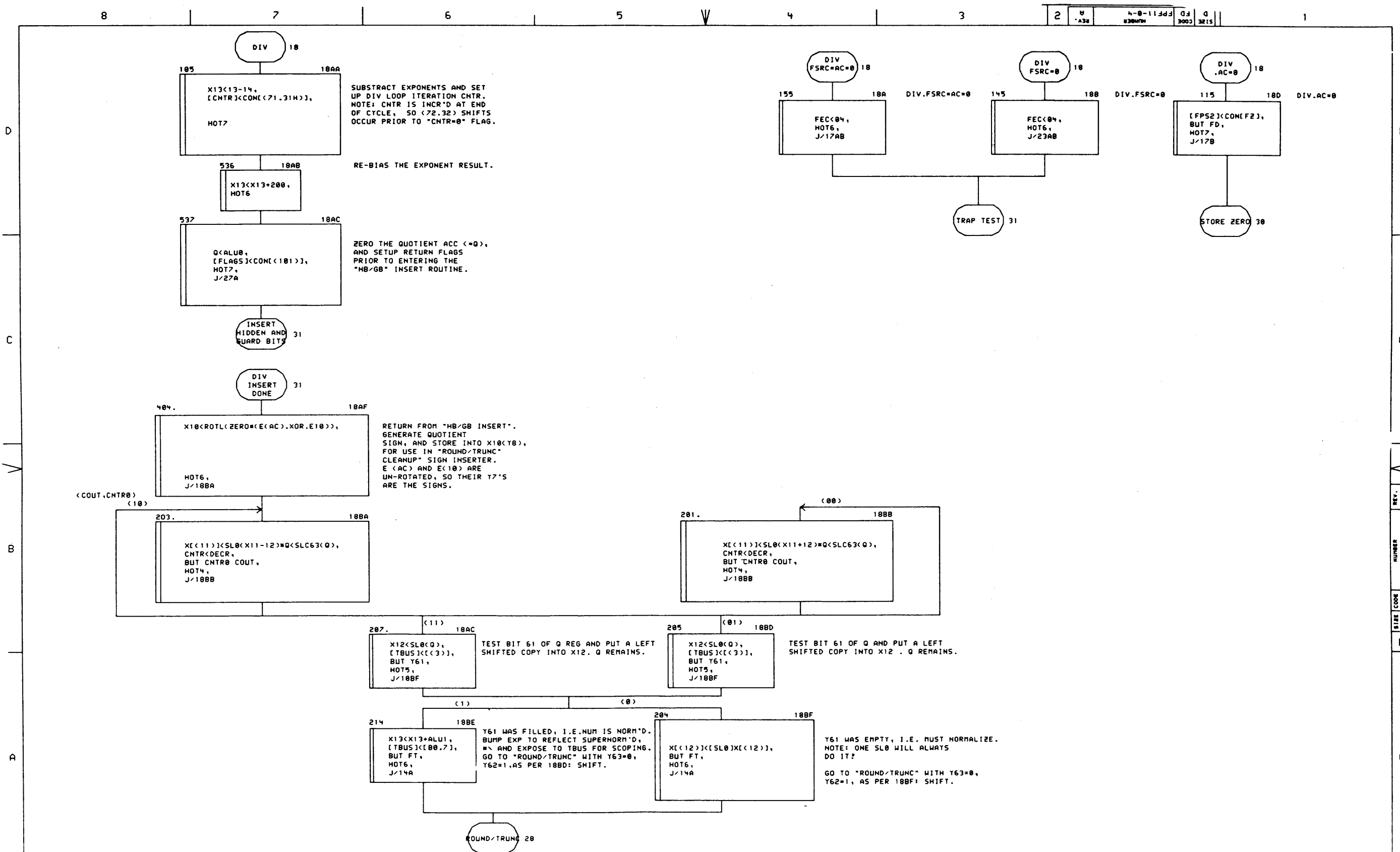
REV. 4
NUMBER FPF11-0-4
SIZE CODE D
FD



REV. A
 NUMBER
 FPF11-0-4
 D FD

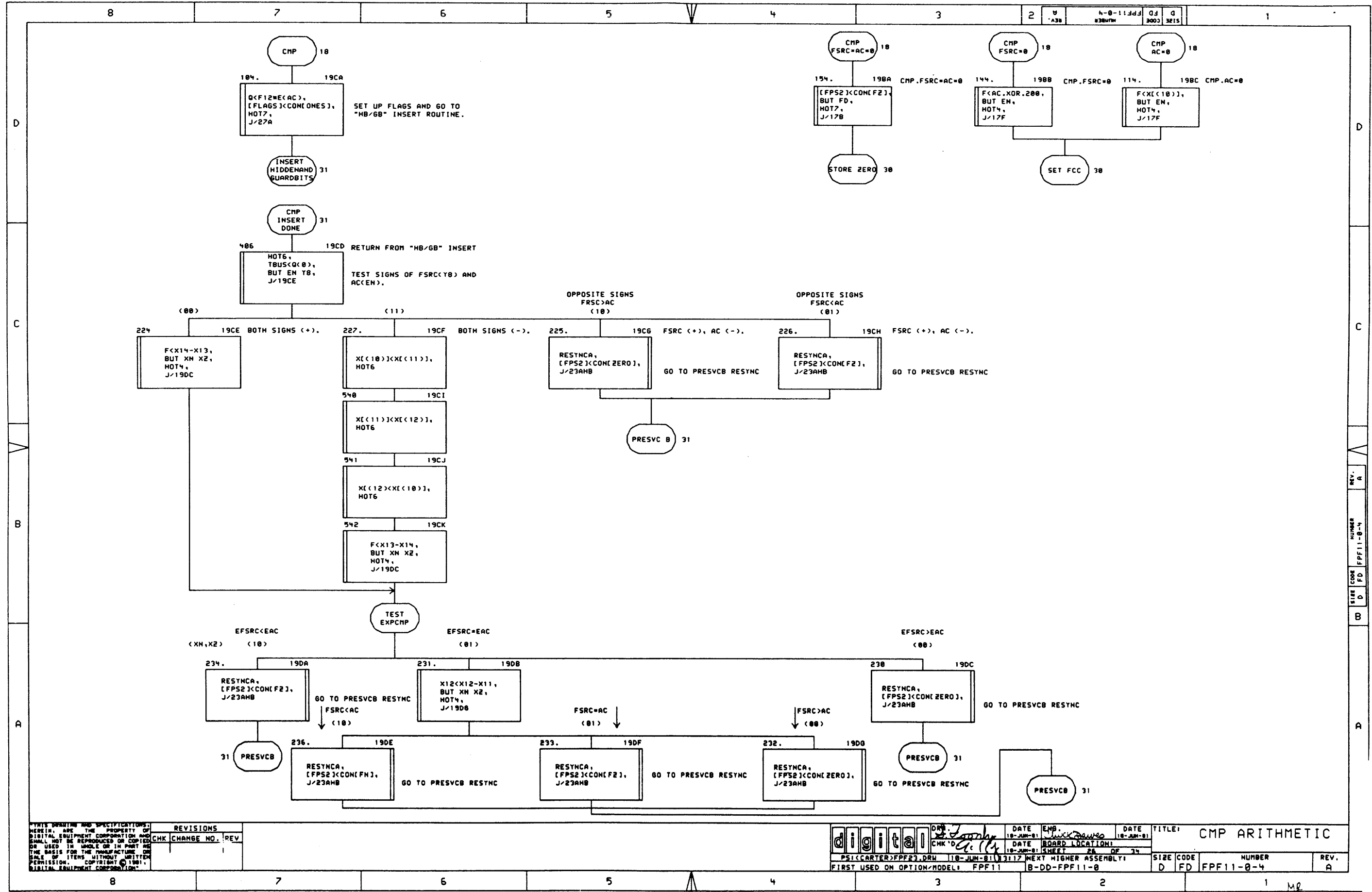
REVISIONS		
CHK	CHANGE NO.	REV.

digital	DATE 18-JUN-81	DATE 18-JUN-81	TITLE: MOD EXP & FRACTION INTEGER SEPERATION
CHK'D <i>[Signature]</i>	DATE 18-JUN-81	DATE 18-JUN-81	BOARD LOCATION: 24 OF 34
PSI(CARTER)FPF21.DRW	18-JUN-81	3112	NEXT HIGHER ASSEMBLY: B-DD-FPF11-0
FIRST USED ON OPTION/MODEL: FPF11			SIZE CODE: D
			NUMBER: FD
			REV: A



THIS DRAWING AND SPECIFICATIONS, HEREIN, ARE THE PROPERTY OF DIGITAL EQUIPMENT CORPORATION AND SHALL NOT BE REPRODUCED OR COPIED OR USED IN WHOLE OR IN PART AS THE BASIS FOR THE MANUFACTURE OR SALE OF ITEMS, WITHOUT WRITTEN PERMISSION. COPYRIGHT © 1981, DIGITAL EQUIPMENT CORPORATION.		REVISIONS CHK CHANGE NO. REV	TITLE: DIV ARITHMETIC
PS: (CARTER) FPF22.DRW FIRST USED ON OPTION MODEL: FPF11	DRW: J. J. J. J. CHK: C. C. C. C.	DATE: 10-JUN-81 DATE: 10-JUN-81 SHEET: 25 OF 34	DATE: 10-JUN-81 DATE: 10-JUN-81 SHEET: 25 OF 34
SIZE CODE: D FD NUMBER: FPF11-0-4	NEXT HIGHER ASSEMBLY: B-DD-FPF11-0	TITLE: DIV ARITHMETIC	TITLE: DIV ARITHMETIC

REV. A
 NUMBER FPF11-0-4
 SIZE CODE D FD
 REV. A



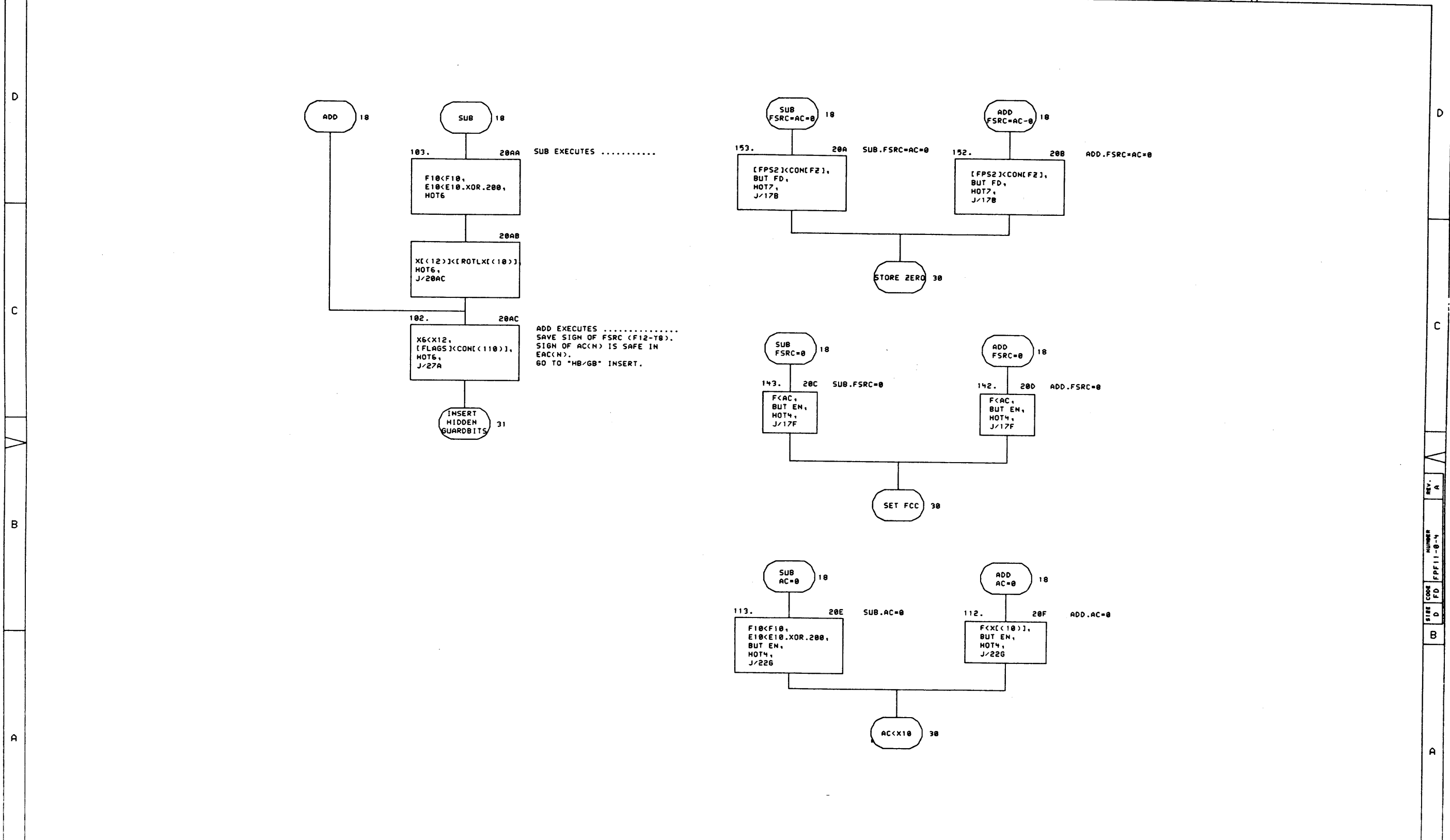
THIS DRAWING AND SPECIFICATIONS ARE THE PROPERTY OF DIGITAL EQUIPMENT CORPORATION AND SHALL NOT BE REPRODUCED OR COPIED OR USED IN WHOLE OR IN PART AS THE BASIS FOR THE MANUFACTURE OR SALE OF ITEMS WITHOUT WRITTEN PERMISSION. COPYRIGHT © 1961, DIGITAL EQUIPMENT CORPORATION.

REVISIONS	
CHK	CHANGE NO. REV

DATE	ENG.	DATE	TITLE:
18-JUN-61	WICK DAWES	18-JUN-61	CMP ARITHMETIC
DATE	BOARD LOCATION	SHEET	26 OF 34
18-JUN-61			
PSI(CARTER)FPF23.DRW	18-JUN-61	3117	NEXT HIGHER ASSEMBLY:
FIRST USED ON OPTION/MODEL:	FPF11	B-DD-FPF11-0	

SIZE CODE	NUMBER	REV.
D FD	FPF11-0-4	A

REV. A
NUMBER
FPF11-0-4
D FD

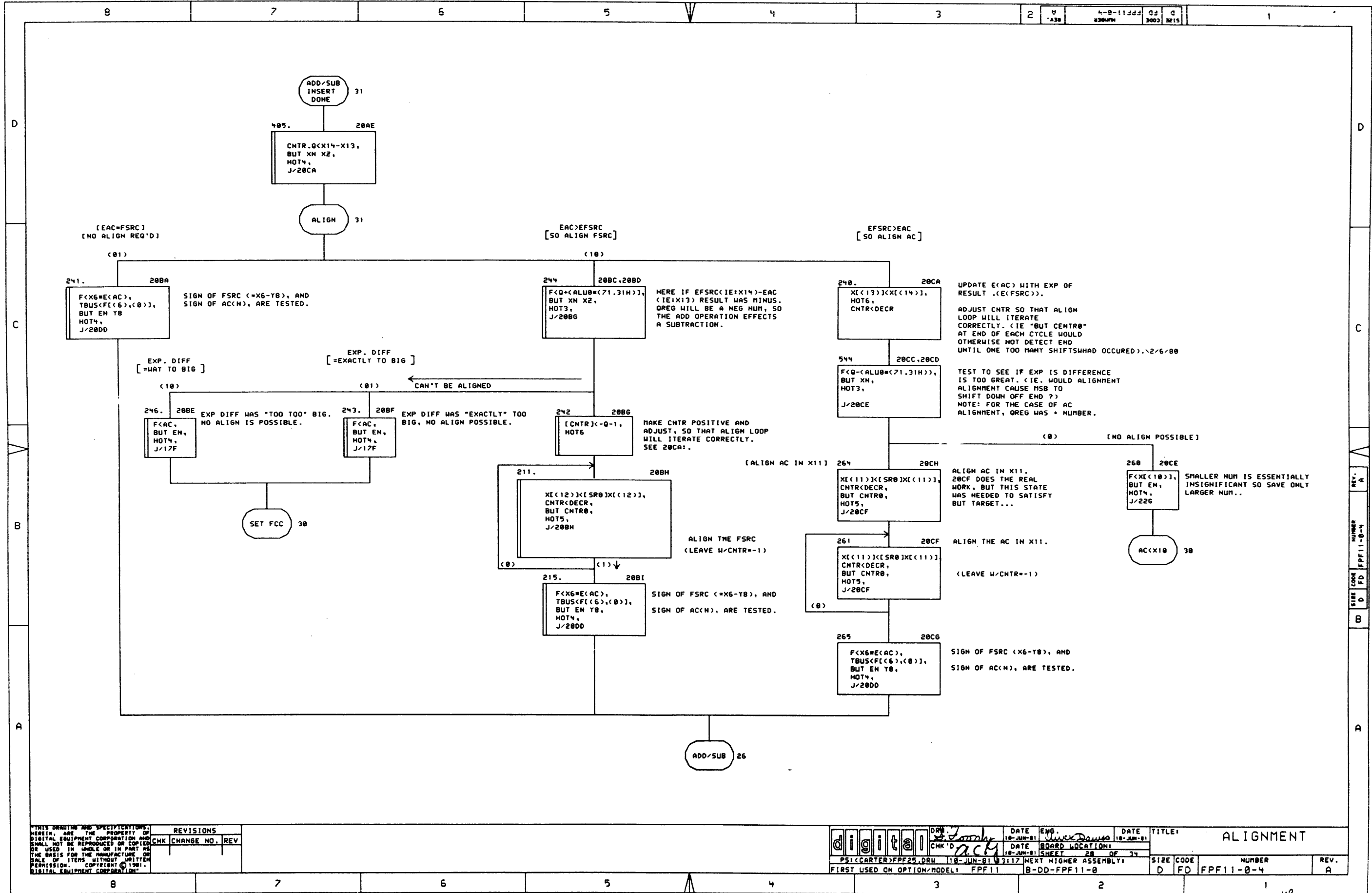


"THIS DRAWING AND SPECIFICATIONS, HEREIN, ARE THE PROPERTY OF DIGITAL EQUIPMENT CORPORATION AND SHALL NOT BE REPRODUCED OR COPIED OR USED IN WHOLE OR IN PART AS THE BASIS FOR THE MANUFACTURE OR SALE OF ITEMS WITHOUT WRITTEN PERMISSION. COPYRIGHT © 1981 DIGITAL EQUIPMENT CORPORATION."

REVISIONS		
CHK	CHANGE NO.	REV

digital DRW. *J. J. [Signature]* DATE ENB. *10-JUN-81* DATE *10-JUN-81* TITLE: **ADD/SUB SETUPS**
 CHK'D *[Signature]* DATE BOARD LOCATION: *10-JUN-81*
 PSI(CARTER) PPF24.DRW 10-JUN-81 1317 NEXT HIGHER ASSEMBLY: *27 OF 34*
 FIRST USED ON OPTION/MODEL: **FPF11 B-DD-FPF11-0** SIZE CODE **D FD** NUMBER **FPF11-0-4** REV. **A**

REV. A
 SIZE CODE NUMBER
 D FD FPF11-0-4

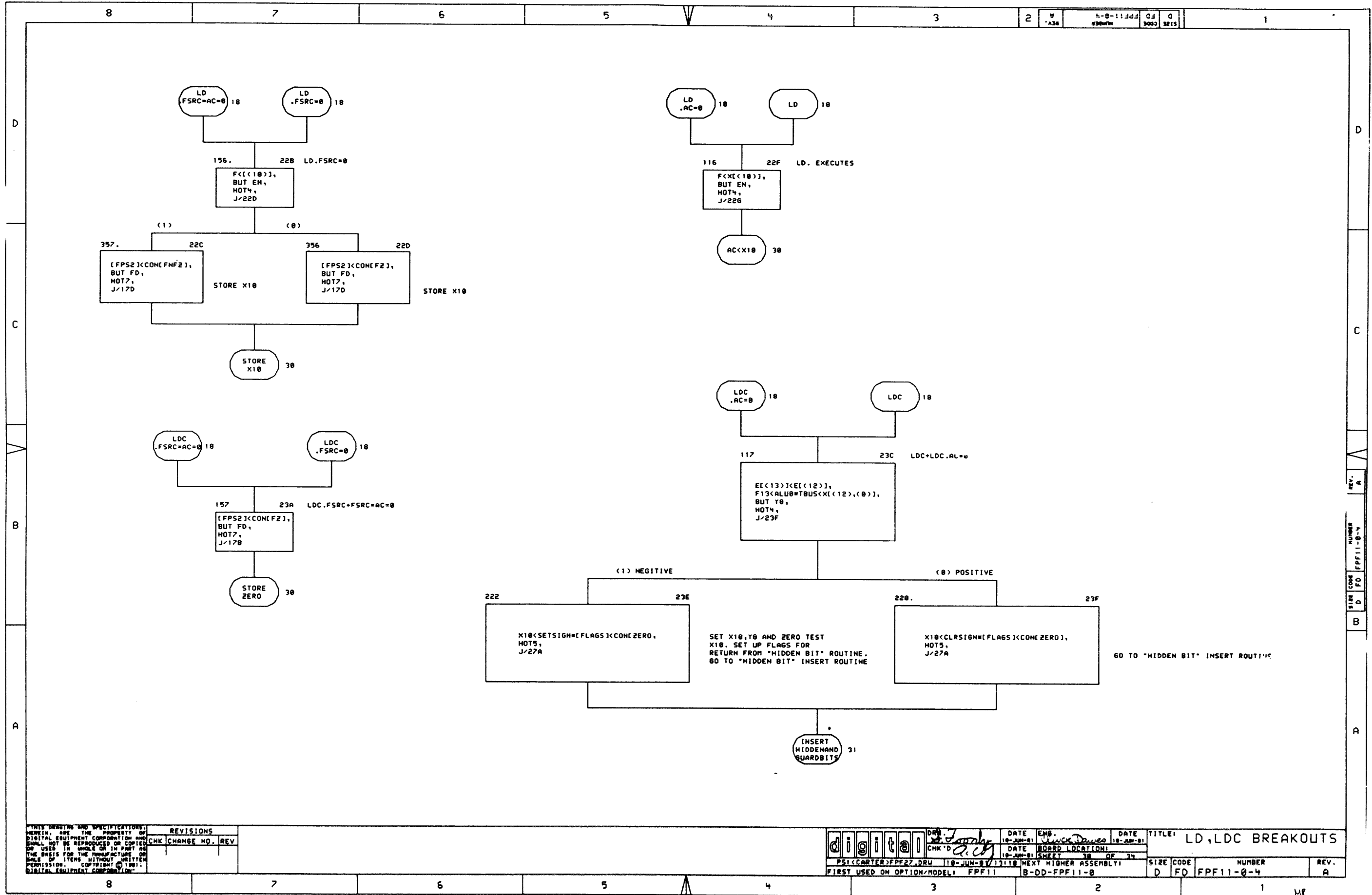


REV. A
NUMBER FPF11-0-4
D FD FPF11-0-4
B

THIS DRAWING AND SPECIFICATIONS,
HEREIN, ARE THE PROPERTY OF
DIGITAL EQUIPMENT CORPORATION AND
SHALL NOT BE REPRODUCED OR COPIED
OR USED IN WHOLE OR IN PART AS
THE BASIS FOR THE MANUFACTURE OR
SALE OF ITEMS WITHOUT WRITTEN
PERMISSION. COPYRIGHT © 1981,
DIGITAL EQUIPMENT CORPORATION

REVISIONS	
CHK	CHANGE NO. REV

DATE	18-JUN-81	ENG.	W. J. Carter	DATE	18-JUN-81	TITLE:	ALIGNMENT
CHK'D		DATE		BOARD LOCATION		SIZE CODE	D FD FPF11-0-4
				SHEET	20 OF 24	NUMBER	
				NEXT HIGHER ASSEMBLY:		REV.	A
FIRST USED ON OPTION/MODEL:	FPF11						



THIS DRAWING AND SPECIFICATIONS, HEREIN, ARE THE PROPERTY OF DIGITAL EQUIPMENT CORPORATION AND SHALL NOT BE REPRODUCED OR COPIED OR USED IN WHOLE OR IN PART AS THE BASIS FOR THE MANUFACTURE OF ANY ITEMS WITHOUT WRITTEN PERMISSION. COPYRIGHT © 1961, DIGITAL EQUIPMENT CORPORATION.

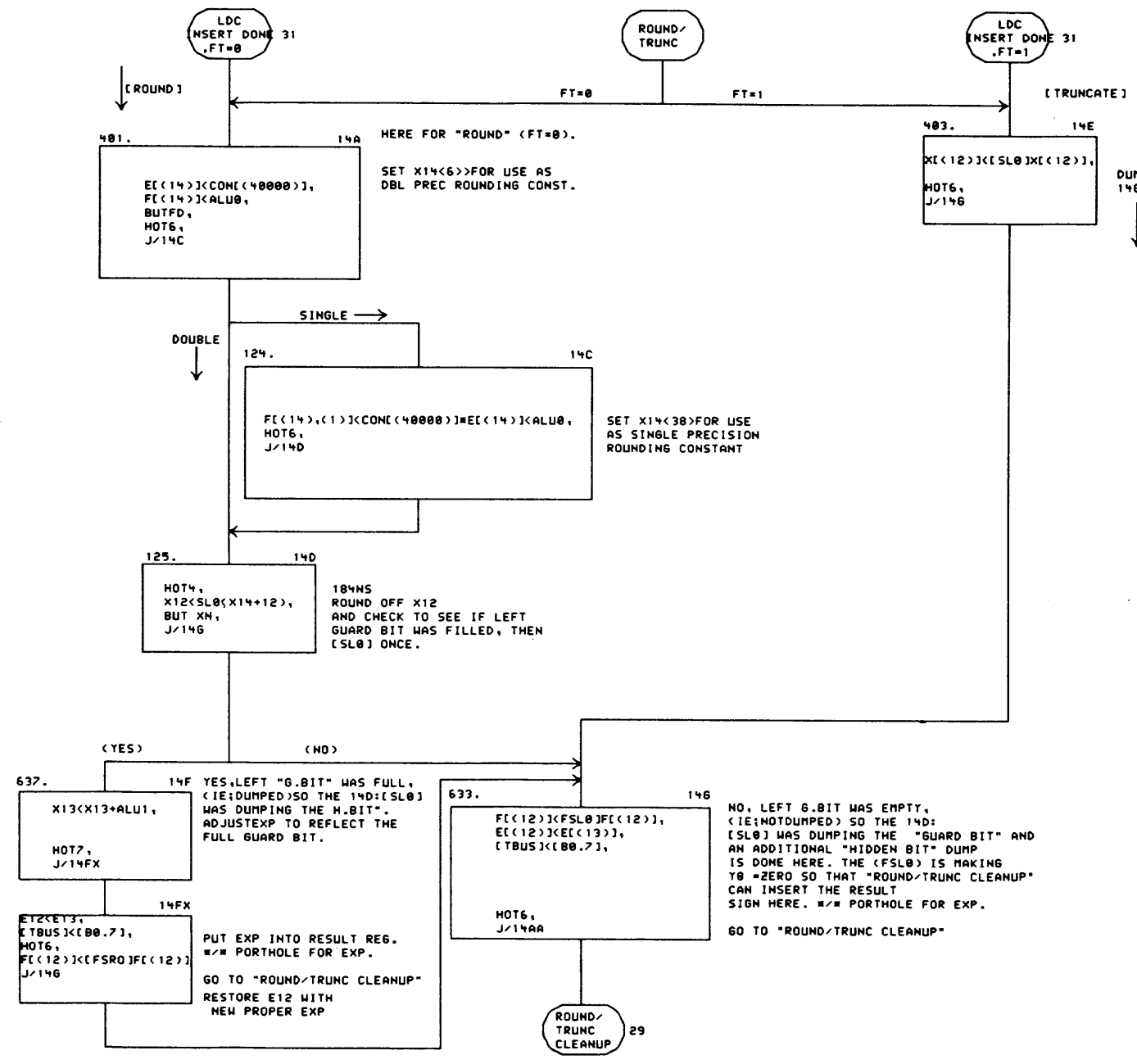
REVISIONS	
CHK	CHANGE NO. REV

digital	DATE	10-20-61	DATE	10-20-61	TITLE	LD, LDC BREAKOUTS
	CHK'D	<i>[Signature]</i>	DATE	10-20-61	BOARD LOCATION	
PSI (CARTER) PFE22.DRW	10-JUN-61	1118	NEXT HIGHER ASSEMBLY		SIZE CODE	D
FIRST USED ON OPTION/MODEL	FPF11	B-DD-FPF11-0			NUMBER	FPF11-0-4
					REV.	A

REV. A
 SIZE CODE D
 NUMBER FPF11-0-4
 REV. A

NOTE: ALL ENTRANTS COME HERE WITH ARGUMENT IN X12, WITH TOP GUARD BIT (Y63)=0 AND WITH HIDDEN BIT (Y62)=1. X13 IS A FULL "64 BIT" EXP.

NOTE: 14A6 (ROUND/TRUNC CLEANUP) EXPECTS TO FIND A "64 BIT" EXPONENT IN X13 WHEN IT TESTS FOR UNDER/OVER RANGE BECAUSE OVER-UNDER FLOWS RUN OVER INTO Y9,Y8. THEREFORE ALL ENTRANTS TO ROUND/TRUNC PRESERVE A FULL X13. ALL MICRO STATES WHICH MODIFY THE WORKING EXPONENT RESULT MUST OPERATE ON ENTIRE X13.

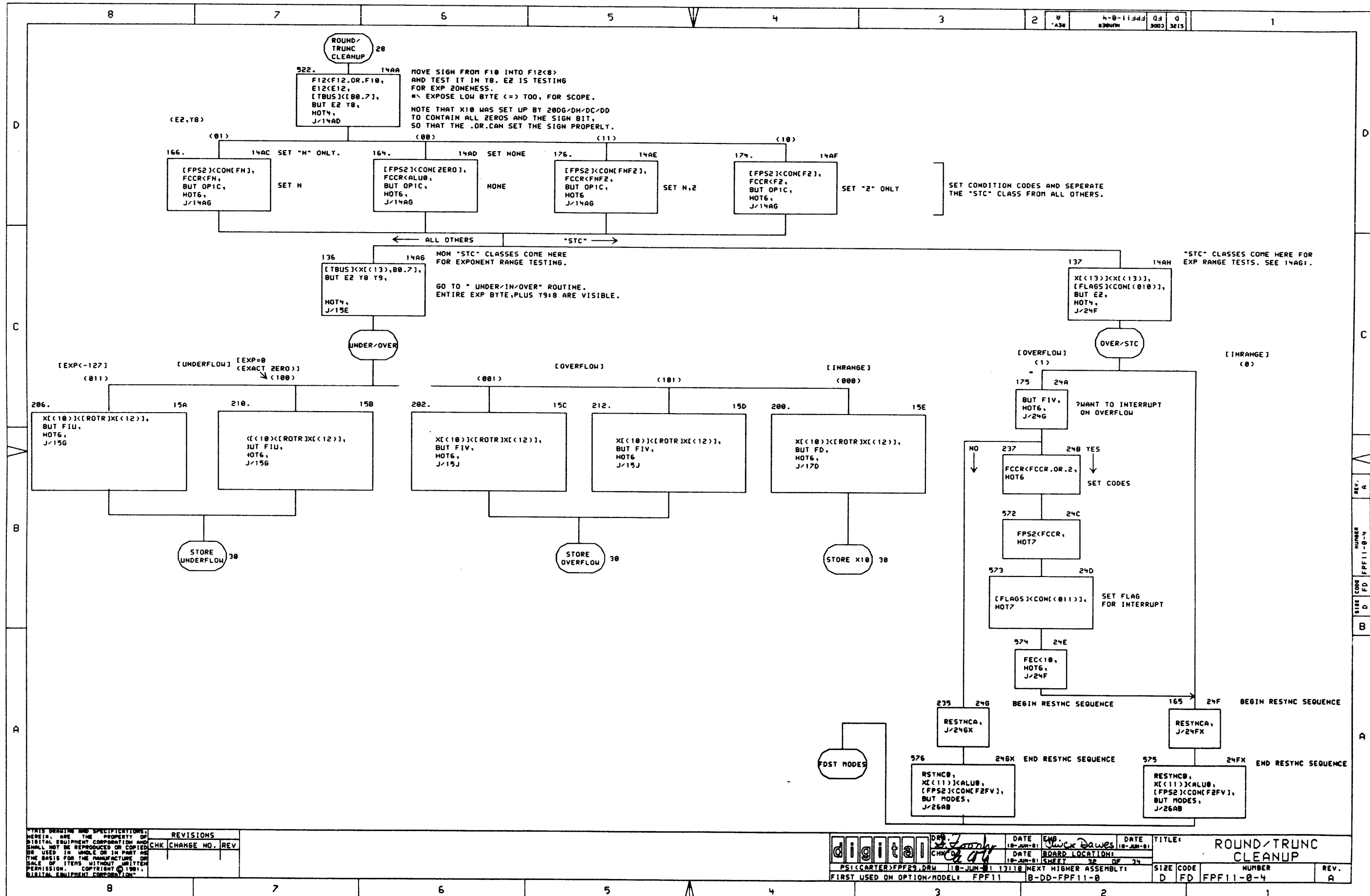


THIS DRAWING AND SPECIFICATIONS ARE THE PROPERTY OF DIGITAL EQUIPMENT CORPORATION AND SHALL NOT BE REPRODUCED OR COPIED OR USED IN WHOLE OR IN PART AS THE BASIS FOR THE MANUFACTURE OR SALE OF ITEMS WITHOUT WRITTEN PERMISSION. COPYRIGHT © 1981 DIGITAL EQUIPMENT CORPORATION.

REVISIONS	
CHK	CHANGE NO. REV

digital DRW: J. Smith, DATE: 18-JUN-81, ENG: Clark Davis, DATE: 18-JUN-81, TITLE: ROUND/TRUNC ROUTINE, BOARD LOCATION: 31, SHEET: 31 OF 34, SIZE CODE: D, FD, NUMBER: FPF11-0-4, REV: A, FIRST USED ON OPTION/MODEL: FPF11, NEXT HIGHER ASSEMBLY: B-DD-FPF11-0

REV. A
FILE CODE NUMBER
D FD FPF11-0-4



THIS DRAWING AND SPECIFICATIONS HEREIN ARE THE PROPERTY OF DIGITAL EQUIPMENT CORPORATION AND SHALL NOT BE REPRODUCED OR COPIED OR USED IN WHOLE OR IN PART AS THE BASIS FOR THE MANUFACTURE OR SALE OF ITEMS WITHOUT WRITTEN PERMISSION. COPYRIGHT © 1981, DIGITAL EQUIPMENT CORPORATION.

REVISIONS	
CHK	CHANGE NO. REV

digital DRW: *[Signature]* DATE: 18-JUN-81 ENG: *[Signature]* DATE: 18-JUN-81
 CHK: *[Signature]* DATE: BOARD LOCATION: TITLE: ROUND/TRUNC CLEANUP
 10-JUN-81 SHEET 32 OF 34
 PS1(CARTER)FPF11.DRW 18-JUN-81 17:18 NEXT HIGHER ASSEMBLY: SIZE CODE NUMBER REV.
 FIRST USED ON OPTION/MODEL: FPF11 B-DD-FPF11-0 D FPF11-0-4 A

REV. A
NUMBER
FPF11-0-4
D
FD

8

7

6

5

4

3

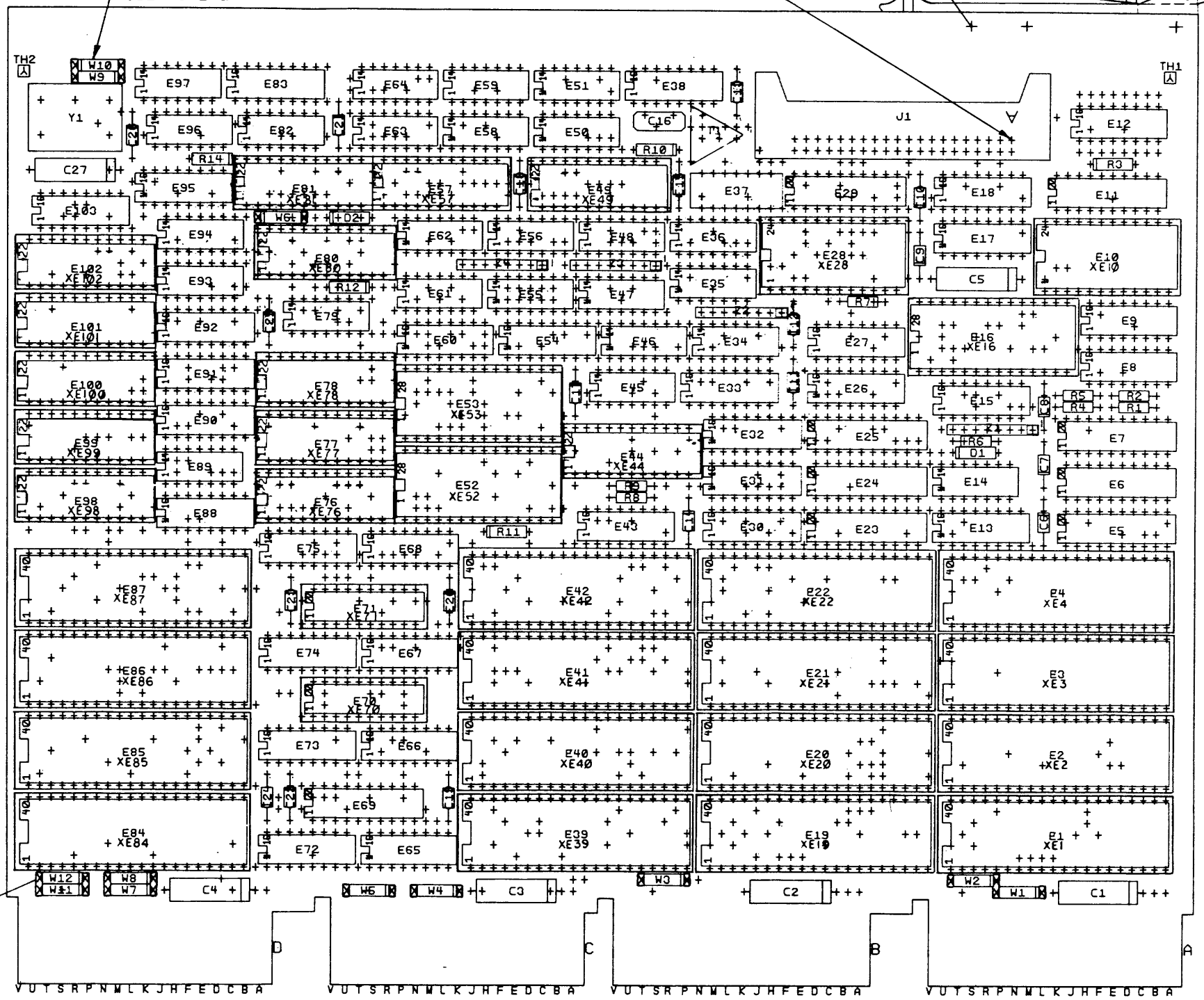
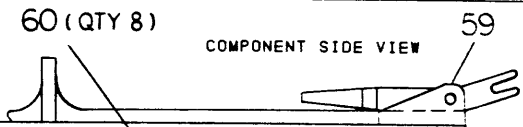
2

1

THIS DRAWING AND SPECIFICATIONS, HEREIN, AND THE PROPERTY OF DIGITAL EQUIPMENT CORPORATION AND SHALL NOT BE REPRODUCED OR COPIED IN WHOLE OR IN PART AS THE BASIS FOR THE MANUFACTURE OR SALE OF ITEMS WITHOUT WRITTEN PERMISSION. COPYRIGHT © 1970 DIGITAL EQUIPMENT CORPORATION

NOTES CONT

6. PIN 'A OR 1' ON J1 IS CUT OUT TO KEY THE CONNECTOR.



SEE NOTE *2

SEE NOTE *6

(SEE NOTE *4) 64
(SEE NOTE *1) 58

- NOTES: 1. ITEM 58 COMES IN PAIRS & MIGHT HAVE TO BE CUT TO GO ON EITHER SIDE OF 'W' JUMPERS.
 2. W10 IS A SPARE JUMPER, BUT IS INSERTED.
 3. SPARE LOCATIONS ARE: E12
 4. USE ITEM 64 ON W1, W2, W4, W5, W6, W9, W10.
 5. W3, W7, W8, W11, W12 ARE USED FOR UBUS OPERATION & MODULE IS NOT BUILT WITH THEM.
- | | | | |
|--------|--------|------|-------|
| STEP | Y AXIS | STEP | TIMES |
| REPEAT | X AXIS | STEP | TIMES |

CHK	CHANGE	NO	REV

ETCH REV.	C
P.C. DESIGN DATA REV	A

SIGNATURES		DATE	digital
DRAWN: <i>P. Wilson</i>		11/5/70	
CHK'D: <i>P. Wilson</i>		11/5/70	TITLE FPF-11
MECH. ENG. <i>J. C. O.</i>		11/5/70	
PROJ. ENG. <i>J. C. O.</i>		11/5/70	
PROD. <i>P. Wilson</i>		11/5/70	
SCALE 2/1			SIZE CODE
SHT. 1 OF 1			NUMBER
NEXT HIGHER ASSY: B-DD-ME155-2			REV

8

7

6

5

4

3

2

MR

1 WO# 19C-27

LINE	ITEM	DOCUMENT NUMBER	PART NUMBER	DESCRIPTION	QTY	PER VARIATION	REFERENCE DESIGNATOR
1	1	D=MD=5014348-0-0	5014348-00	DRILL AND ETCH FOR MR188	1		
2	2		1004812-00	15 MFD 20V 10% S.TANT	6		C1-C5,C27
3	3		1012784-00	.047 MFD 50V +80-20% CER	20		C6-C15,C17-C26
4	4		1109977-00	1N 749A VZ= 4.3 5%	1		D1
5	5		1209941-02	HEADER 100 40PDS RT ANGLE	1		J1
6	6		1301322-00	180.0 .25 W 5.0 % CC	4		R1,R3,R7,R11
7	7		1300309-00	390.0 .25 W 5.0 % CC	1		R2
8	8		1300447-00	4.70 K .25 W 5.0 % CC	2		R4,R5
9	9		1300197-00	33.0 .25 W 5.0 % CC	1		R6
10	10		1300316-00	470.0 .25 W 5.0 % CC	2		R8,R9
11	11		1316254-01	R NETWORK 7=4.7K 2.0 % 8PIN	2		Z1,Z2
12	12		1316254-00	R NETWORK 7=470 2.0 % 8PIN	2		Z3,Z4
13	13		1811660-32	OSCILLATOR, XTAL 29,000 MHZ	1		Y1
14	14		1913245-02	2901A-1 MICROPROCESSOR 4=	16		E1-E4,E19-E22,E39-E42,E84-E87
15	15		1914214-00	LS374 FF=D OCTAL EDGE TRIG	2		E7,E25
16	16		1914570-00	SD 5000 ANALOG SWITCH=QUAD D	5		E8,E17,E18,E26,E38
17	17		1915193-00	LS244 DRIVER,LINE,OCTAL,T	7		E5,E6,E11,E23,E24,E29,E69
18	18		1910550-00	74S174 FF=D HEX	3		E9,E15,E27
19	19		1912097-00	SN 74S182 LOOK AND CARRY GEN	6		E13,E30-E32,E43,E88
20	20		1910010-00	DEC 2501 16 DIODE ARRAY,CORE	2		E14,E34
21	21		1910547-00	74S153 MUX 1 OF 4 (DUAL)	4		E33,E90-E92
22	22		1912388-00	74S02 NOR GATE=QUAD 2IN,PO	4		E35,E36,E50,E51
23	23		1616653-00	DELAY= 50NS,10TAPS WITH TTLBU	1		E37
24	24		1910536-00	74S10 NAND GATE=TRIPLE 3IN	1		E45
25	25		1910837-00	8093 BUFFER GATE=QUAD 2IN	3		E46,E93,E94
26	26		1910533-00	74S03 NAND GATE=QUAD 2IN,O	4		E47,E56,E58,E61
27	27		1910535-00	74S05 INVERTER GATE=HEX 1	2		E48,E55
28	28		1917246-00	AM 25S07 D=REG,HEX,PARALLEL	3		E54,E60,E74
29	29		1910534-00	74S04 INVERTER GATE=HEX 1I	1		E59
30	30		1910532-00	74S00 NAND GATE=QUAD 2IN	4		E62,E63,E82,E89

REVISION HISTORY		BASIC PART NO: MR188		DRN:	R.W. CAUNTER	DATE:	25-OCT-79	DIGITAL		
ENG:	ECO NUMBER	REV	SECTION A OF A	CHK'D:	R.W. CAUNTER	DATE:	25-SEP-80	TITLE	PARTS LIST	
---	INITIAL	A	SECTION VARIATION INDEX					MR188		
ACF	MR188-MR001	B	[A] 00					PPF=11		
			[B]							
			[C]	DES,ENG:	A.FILZ	DATE:	12-FEB-81			
			[D]							
			[E]	RESP,ENG:	A.FILZ	DATE:	12-FEB-81		DOCUMENT NUMBER	
			[F]							
			[H]							
			[J]							
			[K]	IMG,ENG:	J.L.APONTE	DATE:	18-FEB-81	SIZE	CODE	NUMBER
			[L]					K	PL	MR188-0-DBP
			[M]	ASSEMBLY NUMBER:		TOP DOCUMENT NUMBER:		FILE NAME:	EDIT #	
			[N]	D-UA=MR188-0-0		B-DD=MR188-0		Z1950B.PLS	17	

"THIS DRAWING AND SPECIFICATIONS HEREIN, ARE THE PROPERTY OF DIGITAL EQUIPMENT CORPORATION AND SHALL NOT BE REPRODUCED OR COPIED OR USED IN WHOLE OR IN PART AS THE BASIS FOR THE MANUFACTURE OR SALE OF ITEMS WITHOUT WRITTEN PERMISSION. COPYRIGHT (C) 1981, DIGITAL EQUIPMENT CORPORATION"

PARTS LIST

LINE	ITEM	DOCUMENT NUMBER	PART NUMBER	DESCRIPTION	QTY	PER VARIATION	REFERENCE DESIGNATOR
					00		
31	31		1910544=00	74S74 FF=D DUAL, EDGE TRIGG	2		E64, E97
32	32		1917244=00	74S169 COUNTER, SYNCH UP/DOW	2		E65, E72
33	33		1914845=00	2918 FF=D QUAD TRI-STATE	4		E66-E68, E73
34	34		1917245=00	AM 25S08 D=REG, QUAD, PARALLEL	1		E75
35	35		1910957=00	74S175 FF=D QUAD COMMON CLO	2		E83, E95
36	36		1910542=00	74S64 A=O-I GATE 4-2=3-2	1		E96
37	37		1914082=00	74S163 COUNTER, SYNCH UP/DOW	1		E103
38	38		23041D2=00	D2=01	1		E49
39	39		23042D2=00	D2=01	1		E81
40	40		23003D2=00	D2=01	1		E80
41	41		23004D2=00	D2=01	1		E57
42	42		23005D2=00	D2=01	1		E78
43	43		23006D2=00	D2=01	1		E100
44	44		23007D2=00	D2=01	1		E99
45	45		23008D2=00	D2=01	1		E98
46	46		23009D2=00	D2=01	1		E102
47	47		23010D2=00	D2=01	1		E44
48	48		23011D2=00	D2=01	1		E77
49	49		23012D2=00	D2=01	1		E101
50	50		23013D2=00	D2=01	1		E76
51	51		23049C6=00	C6=02	1		E53
52	52		23048C6=00	C6=02	1		E52
53	53		23047C6=00	C6=01	1		E16
54	54		1000024=00	470.0 MMF 100V 5%200PPM MICA	1		C16
55	55		1100114=00	D 664 QS\75PCB PIV= 25V SP	1		D2
56	56		1302091=00	330.0 K .25 W 5.0 % CC	1		R12
57	57		1300229=00	100.0 .25 W 5.0 % CC	1		R10
58	58	SEE NOTE #1 ON UA	1215901=01	HEADER 2PIN STRAIGHT	12		
59	59		1213113=01	HANDLE, MODULE,	1		
60	60		9000024=01	EYELET, ROLL FLANGE .1210DX .192	8		
61	61		1609751=00	TRANSF 25UH PREF ELEC	1		T1
62	62		1910539=00	74S20 NAND GATE=DUAL 4INPU	1		E79
63	63		1300365=00	1.0 K .25 W 5.0 % CC	1		R14
64	64		1215899=01	CLIP, JUMPER, .400CENTERS	7		W1, W2, W4, W5, W6, W9, W10
65	65		23059D1=00	D1=02	1		E28
66	66		23058D1=00	D1=02	1		E10
67	67		23056B1=00	B1=01	1		E70
68	68		23057B1=00	B1=01	1		E71
69	69		1215006=04	SKT, IC 20PIN DIP TIN PLATE	2		XE70, XE71
70	70		1215006=05	SKT, IC 22PIN DIP TIN PLATE	13		XE44, XE49, XE57, XE76-XE78, XE80,
71	71		1215006=07	SKT, IC 28PIN DIP TIN PLATE	3	CONT	XE81, XE98-XE102
72	72		1215006=08	SKT, IC 40PIN DIP TIN PLATE	16		XE16, XE52, XE53
73	73		1215006=06	SKT, IC 24PIN DIP TIN PLATE	2	CONT	XE1-XE4, XE19-XE22, XE39-XE42, XE84-XE87 XE10, XE28

D	I	G	I	T	A	I	L	TITLE	SECTION A OF A	SIZE	CODE	DOCUMENT NUMBER	REV
								M8188 EPF=11		K	PL	M8188-0-DBP	

AUTOMATED BY PRTLST.3L(37)

PARTS LIST

SHEET A3 OF A3

LINE ITEM DOCUMENT NUMBER

PART NUMBER

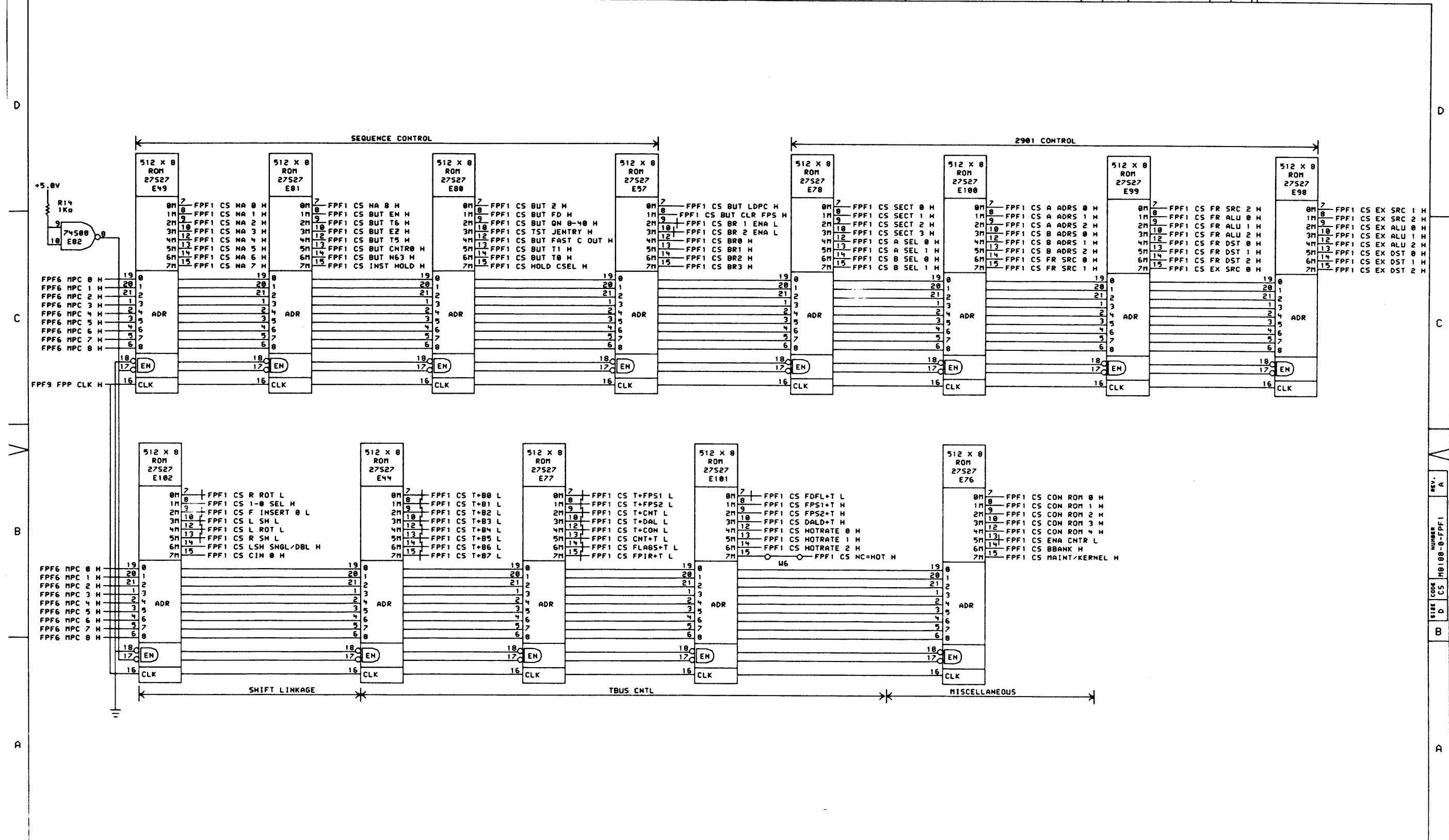
DESCRIPTION

QTY PER VARIATION
00

REFERENCE DESIGNATOR

74 NOTE: 1. SPARE LOCATIONS ARE: E12.

D	I	G	I	T	A	L	TITLE	M8188	SECTION A OF A	SIZE	CODE	DOCUMENT NUMBER	REV
								FPF#11		K	PL	M8188-0-DBP	B

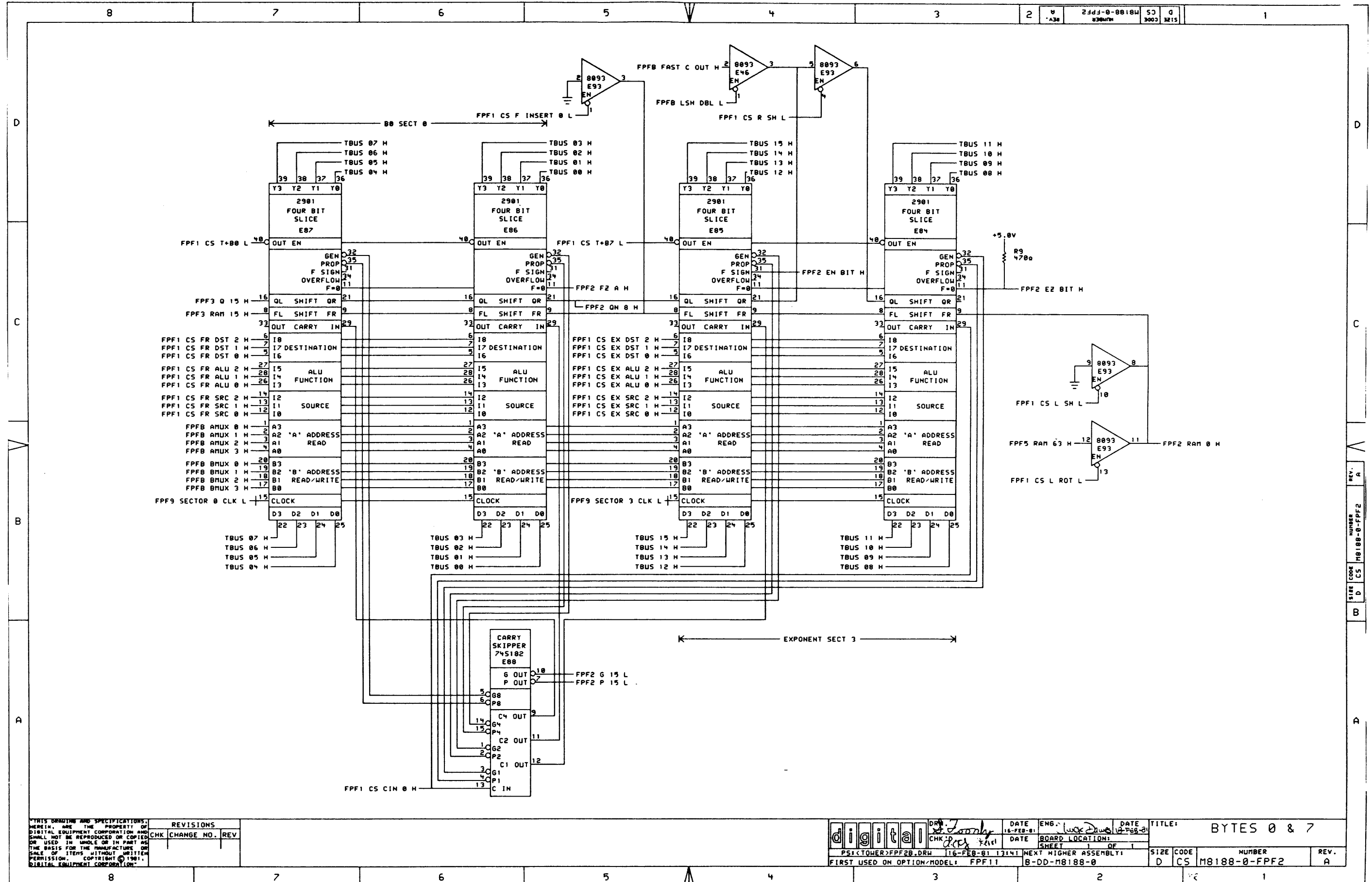


REV. A
NUMBER M8188-0-FPF1
SIZE CODE D CS

THIS DRAWING AND SPECIFICATIONS ARE THE PROPERTY OF DIGITAL EQUIPMENT CORPORATION AND SHALL NOT BE REPRODUCED OR COPIED OR USED IN WHOLE OR IN PART AS THE BASIS FOR THE MANUFACTURE OR SALE OF ITEMS WITHOUT WRITTEN PERMISSION. COPYRIGHT © 1961, DIGITAL EQUIPMENT CORPORATION.

REVISIONS		
CHK	CHANGE NO.	REV

digital	DRN <i>J. J. J.</i>	DATE 16-FEB-81	ENG. <i>W. J. J.</i>	DATE 6-FEB-81	TITLE: CONTROL STORE
	CHK <i>G. C. J.</i>	DATE	BOARD LOCATION:	SHEET 1 OF 1	
FIRST USED ON OPTION/MODEL: FPF11			NEXT HIGHER ASSEMBLY: B-DD-M8188-0		SIZE CODE D CS
NUMBER M8188-0-FPF1				REV. A	



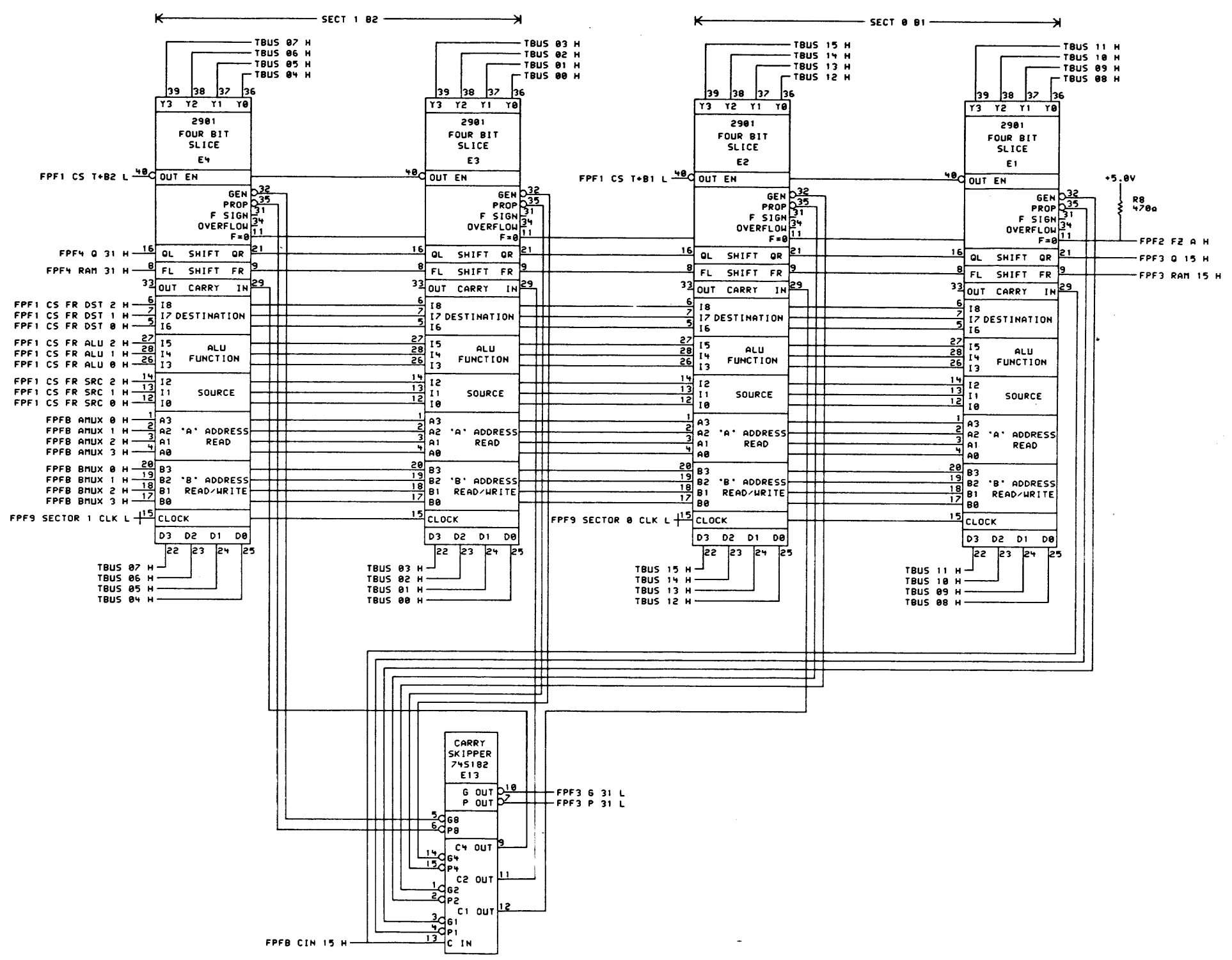
THIS DRAWING AND SPECIFICATIONS, HEREIN, ARE THE PROPERTY OF DIGITAL EQUIPMENT CORPORATION AND SHALL NOT BE REPRODUCED OR COPIED OR USED IN WHOLE OR IN PART AS THE BASIS FOR THE MANUFACTURE OR SALE OF ITEMS WITHOUT WRITTEN PERMISSION. COPYRIGHT © 1961, DIGITAL EQUIPMENT CORPORATION.

REVISIONS		
CHK	CHANGE NO.	REV

	DRW. <i>J. J. Kelly</i> DATE 16-FEB-61 ENG. <i>Lucy D. ...</i> DATE 12-FEB-61	TITLE: BYTES 0 & 7
PS1(TOWER)FPF2.DRW FIRST USED ON OPTION MODEL: FPF11	DATE 16-FEB-61 BOARD LOCATION: SHEET 1 OF 1	NEXT HIGHER ASSEMBLY: B-DD-M8188-0

SIZE CODE	NUMBER	REV.
D CS	M8188-0-FPF2	A

REV. A
NUMBER M8188-0-FPF2
SIZE CODE D CS

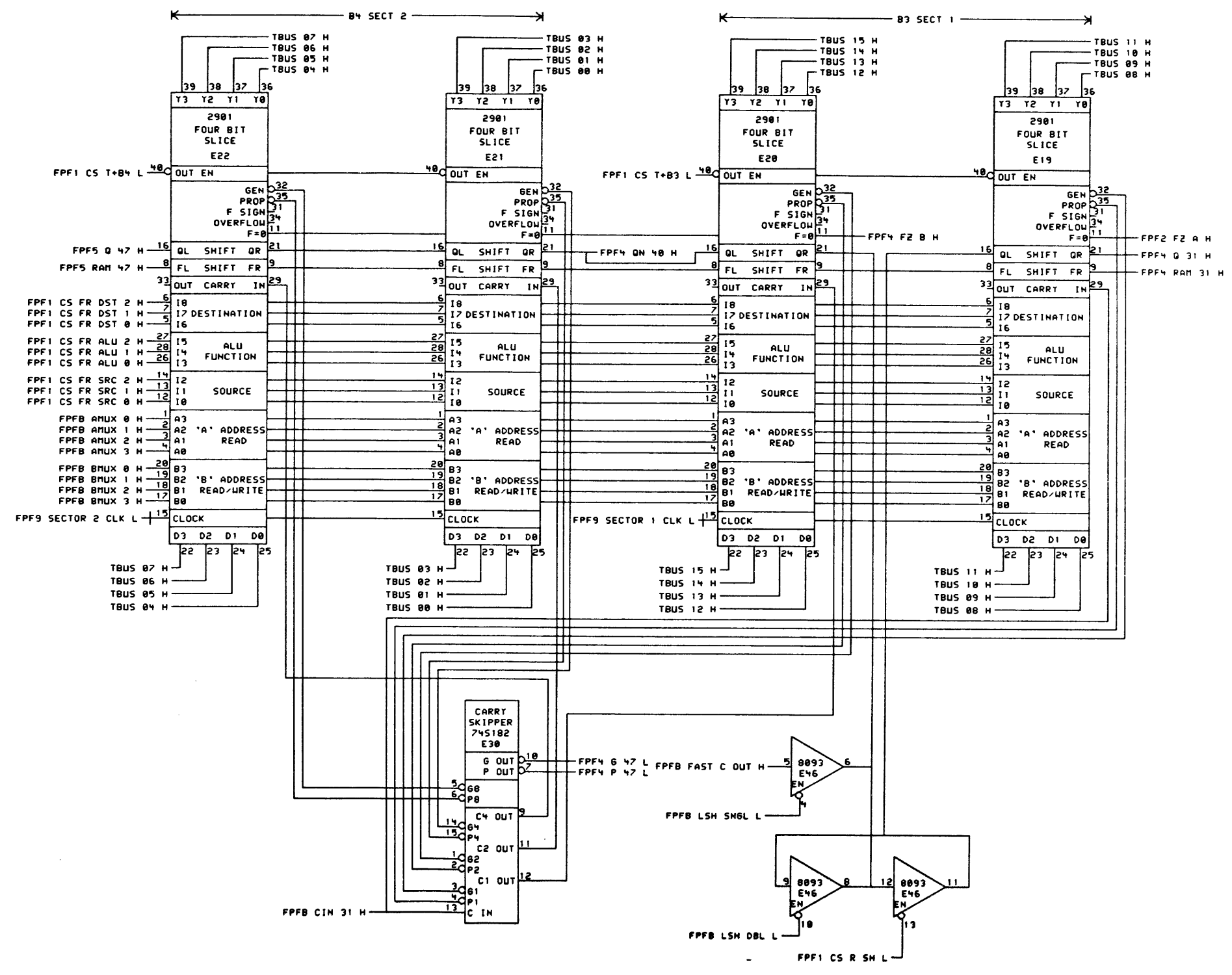


THIS DRAWING AND SPECIFICATIONS, HEREIN, ARE THE PROPERTY OF DIGITAL EQUIPMENT CORPORATION AND SHALL NOT BE REPRODUCED OR COPIED OR USED IN WHOLE OR IN PART AS THE BASIS FOR THE MANUFACTURE OR SALE OF ITEMS WITHOUT WRITTEN PERMISSION. COPYRIGHT © 1981, DIGITAL EQUIPMENT CORPORATION.

REVISIONS		
CHK	CHANGE NO.	REV

	DATE	ENG. V	DATE	TITLE
	16-FEB-81	Lucy Dawes	2-28-81	BYTES 2 & 1
PS1(TOWER) FPF3B.DRW	DATE	BOARD LOCATION	SHEET	OF
16-FEB-81 13147	16	B-DD-M8188-0	1	1
FIRST USED ON OPTION/MODEL: FPF11	NEXT HIGHER ASSEMBLY:	SIZE CODE	NUMBER	REV.
B-DD-M8188-0	B-DD-M8188-0	D CS	M8188-0-FPF3	A

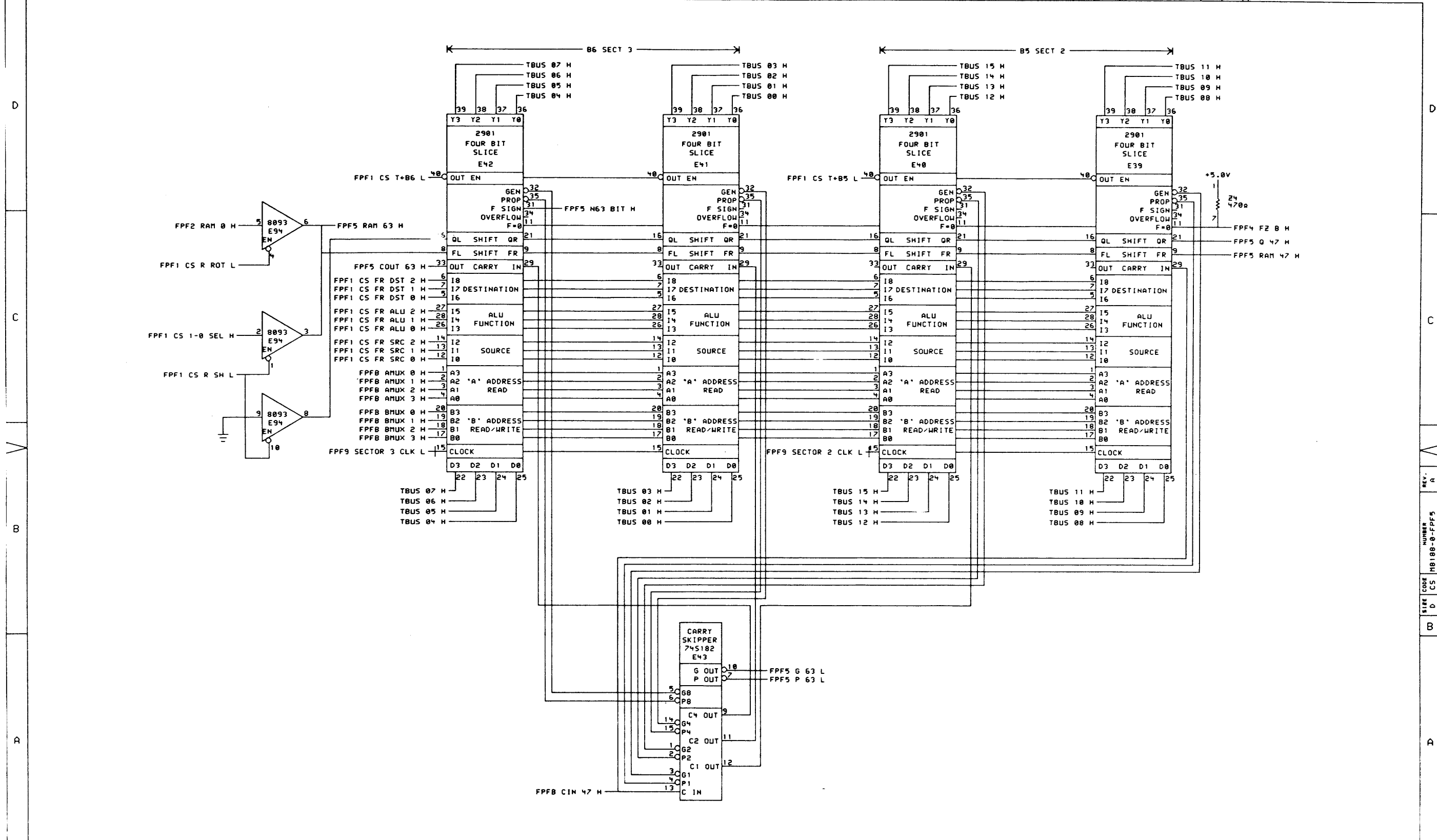
REV. A
 NUMBER M8188-0-FPF3
 CS
 D
 B



THIS DRAWING AND SPECIFICATIONS, HEREIN, ARE THE PROPERTY OF DIGITAL EQUIPMENT CORPORATION AND SHALL NOT BE REPRODUCED OR COPIED OR USED IN WHOLE OR IN PART AS THE BASIS FOR THE MANUFACTURE OR SALE OF ITEMS WITHOUT WRITTEN PERMISSION. COPYRIGHT © 1981, DIGITAL EQUIPMENT CORPORATION.

REVISIONS	
CHK	CHANGE NO. REV.

digital DRW: J. J. J. DATE: 16-FEB-81 ENG: LUC DUNN DATE: 18-FEB-81 TITLE: BYTES 4 & 3
 CHK'D: J. J. J. DATE: BOARD LOCATION: SHEET 1 OF 1
 SIZE CODE: D CS NUMBER: M8188-0-PPF4 REV: A
 FIRST USED ON OPTION/MODEL: PPF11 NEXT HIGHER ASSEMBLY: B-DD-M8188-0

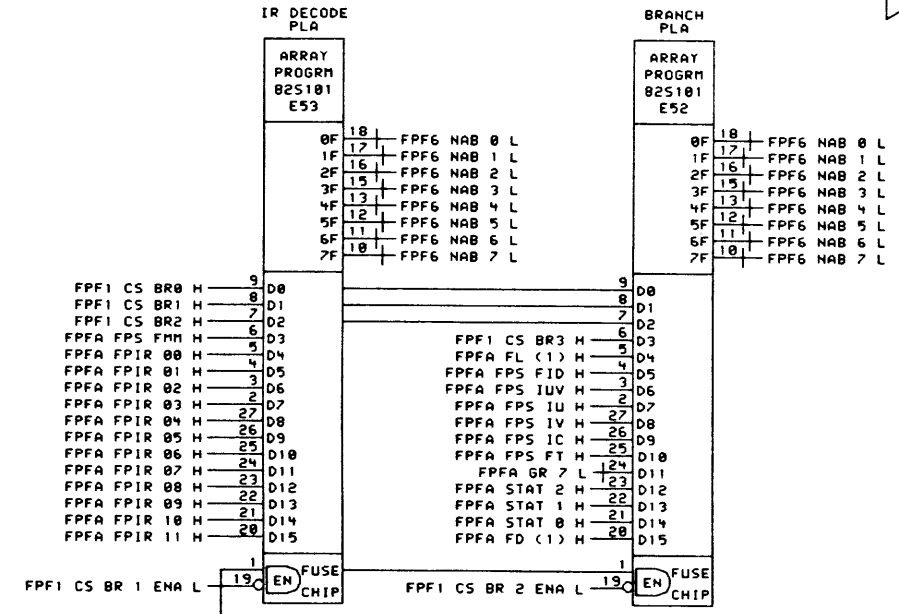
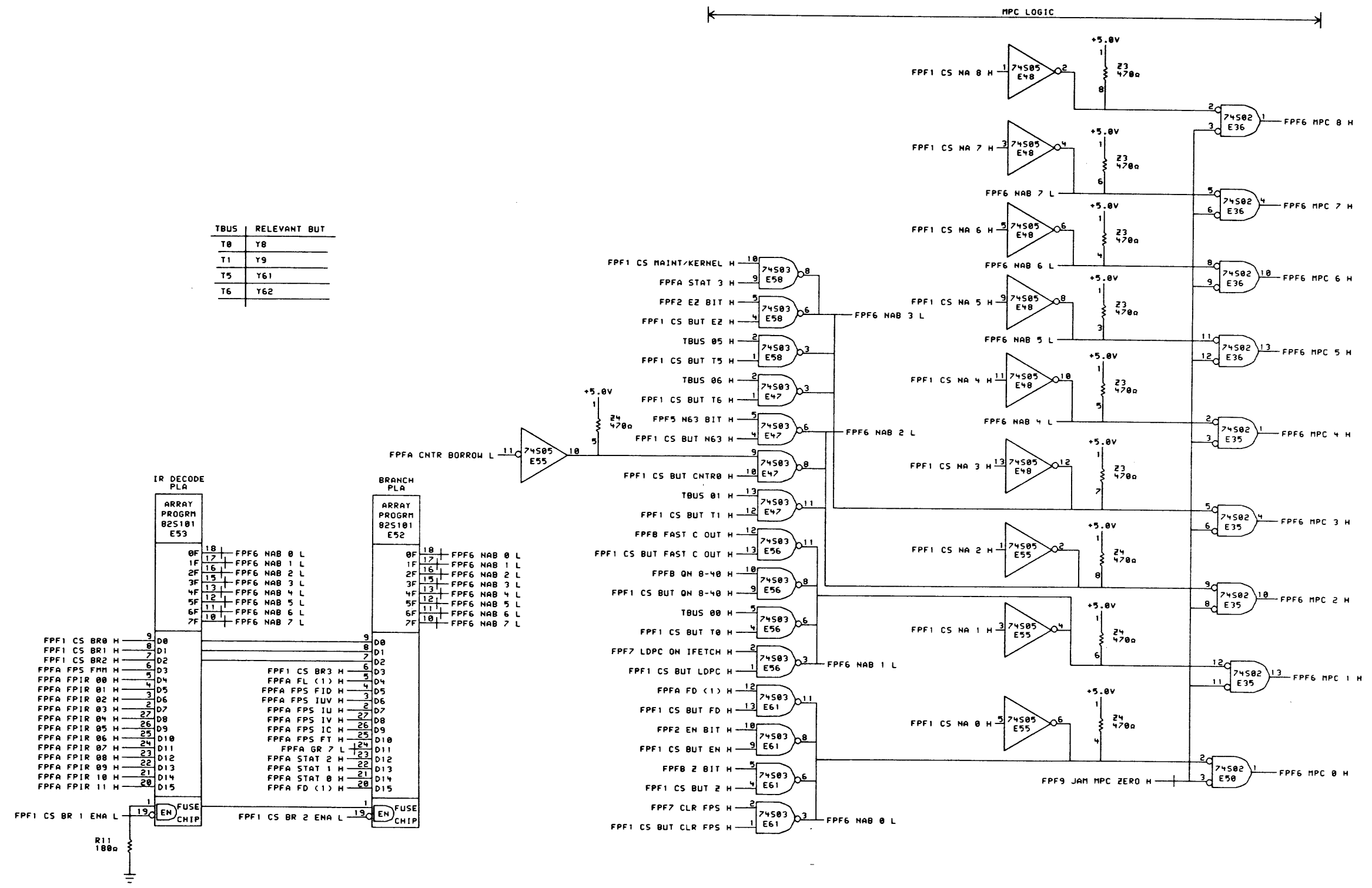


THIS DRAWING AND SPECIFICATIONS, HEREIN, ARE THE PROPERTY OF DIGITAL EQUIPMENT CORPORATION AND SHALL NOT BE REPRODUCED OR COPIED OR USED IN WHOLE OR IN PART AS THE BASIS FOR THE MANUFACTURE OR SALE OF ITEMS WITHOUT WRITTEN PERMISSION. COPYRIGHT © 1981, DIGITAL EQUIPMENT CORPORATION.

REVISIONS		
CHK	CHANGE NO.	REV

DATE	16-FEB-81	ENG.	LUCK	DATE	5-28-81	TITLE:	BYTES 6 & 5
CHK'D	A.B.	DATE	1/16/81	BOARD LOCATION:	SHEET 1 OF 1	SIZE	D CS
PS1<TOWER>PPF50.DRW	16-FEB-81 13:46	NEXT HIGHER ASSEMBLY:	B-DD-M8188-0	NUMBER	M8188-0-PPF5	REV.	A
FIRST USED ON OPTION/MODEL:	PPF11						

TBUS	RELEVANT BUT
T8	Y8
T1	Y9
T5	Y61
T6	Y62



THIS DRAWING AND SPECIFICATIONS ARE THE PROPERTY OF DIGITAL EQUIPMENT CORPORATION AND SHALL NOT BE REPRODUCED OR COPIED OR USED IN WHOLE OR IN PART AS THE BASIS FOR THE MANUFACTURE OR SALE OF ITEMS WITHOUT WRITTEN PERMISSION. COPYRIGHT © 1981, DIGITAL EQUIPMENT CORPORATION.

CHK	CHANGE NO.	REV

REVISIONS

digital

DRW: J. J. J. DATE: 16-FEB-81 ENG: J. J. J. DATE: 18-FEB-81 TITLE: NADRS SEQUENCER

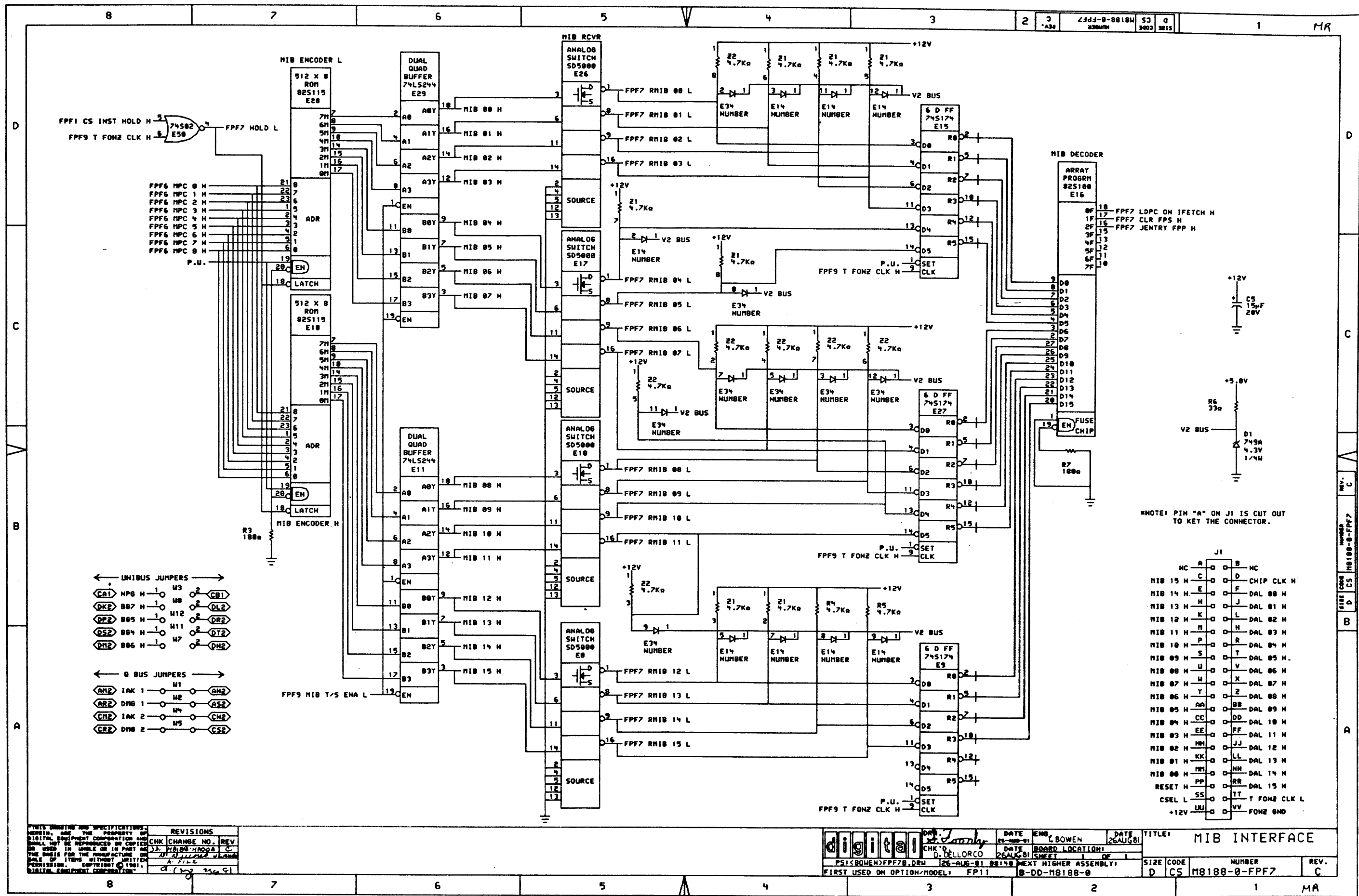
CHK'D: ac h DATE: BOARD LOCATION: SHEET: 1 OF 1

PS1<TOWER>PPF68.DRW 16-FEB-81 13:48 NEXT HIGHER ASSEMBLY: B-DD-M8188-0

FIRST USED ON OPTION/MODEL: FP11

SIZE CODE	NUMBER	REV.
D CS	M8188-0-PPF6	A

REV. A
NUMBER M8188-0-PPF6
SIZE CODE CS

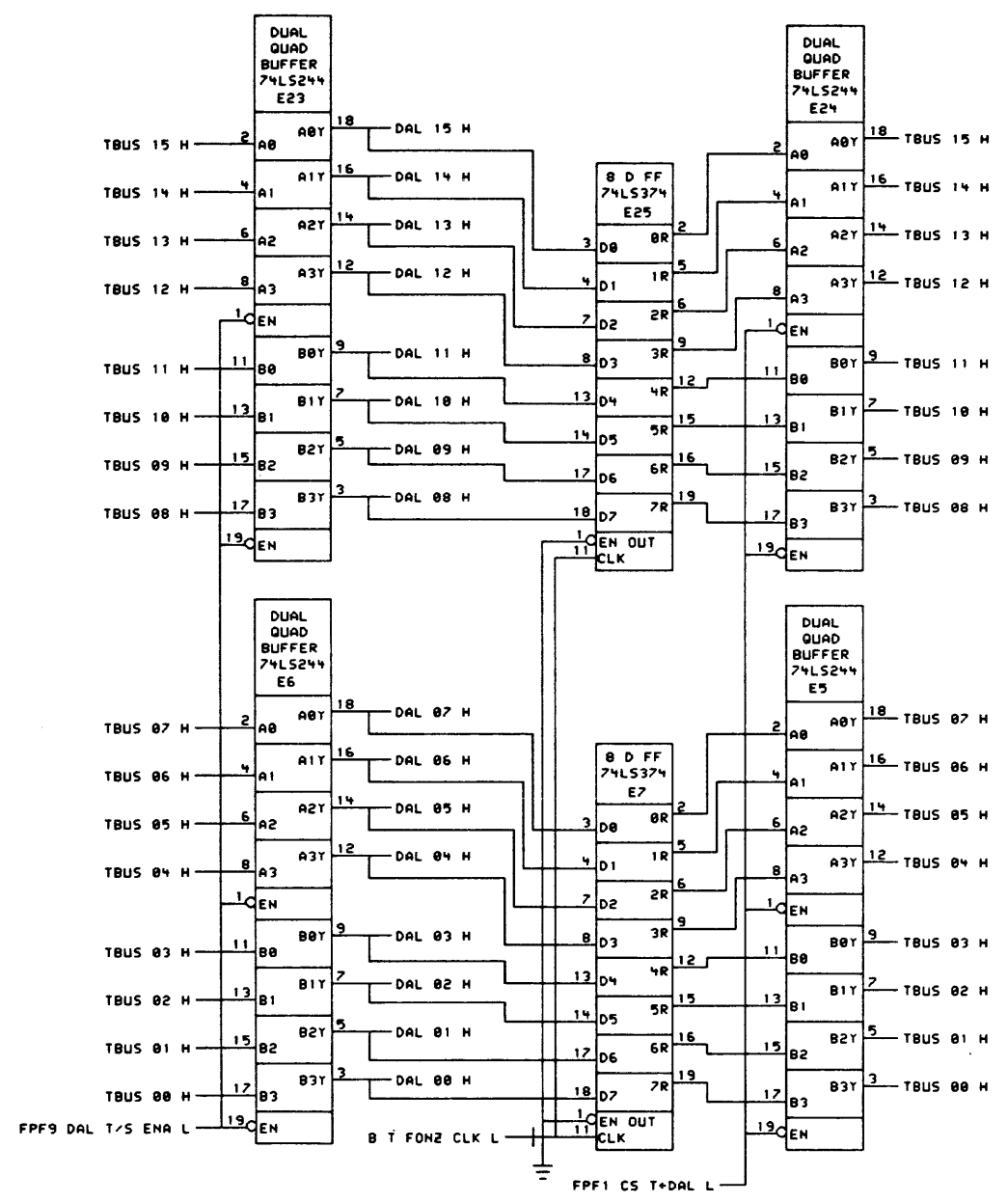


NOTE: PIN "A" ON J1 IS CUT OUT TO KEY THE CONNECTOR.

DATE	26 AUG 81
ENG	L BOWEN
DATE	26 AUG 81
CHK'D	D. DELORCO
DATE	26 AUG 81
DRW	D. DELORCO
DATE	26 AUG 81
DRW	D. DELORCO
DATE	26 AUG 81
DRW	D. DELORCO

REV	NO	DESCRIPTION
1	1	INITIAL RELEASE
2	1	REVISED TO ADD JUMPER
3	1	REVISED TO ADD JUMPER

PSI: BOWEN/PPF78.DRW	126-AUG-81 08:19	DATE	26 AUG 81
FIRST USED ON OPTION/MODEL:	FP11	BOARD LOCATION:	B-DD-N8188-0
SIZE	D	CODE	CS
NUMBER	M8188-0-PPF7	REV.	C

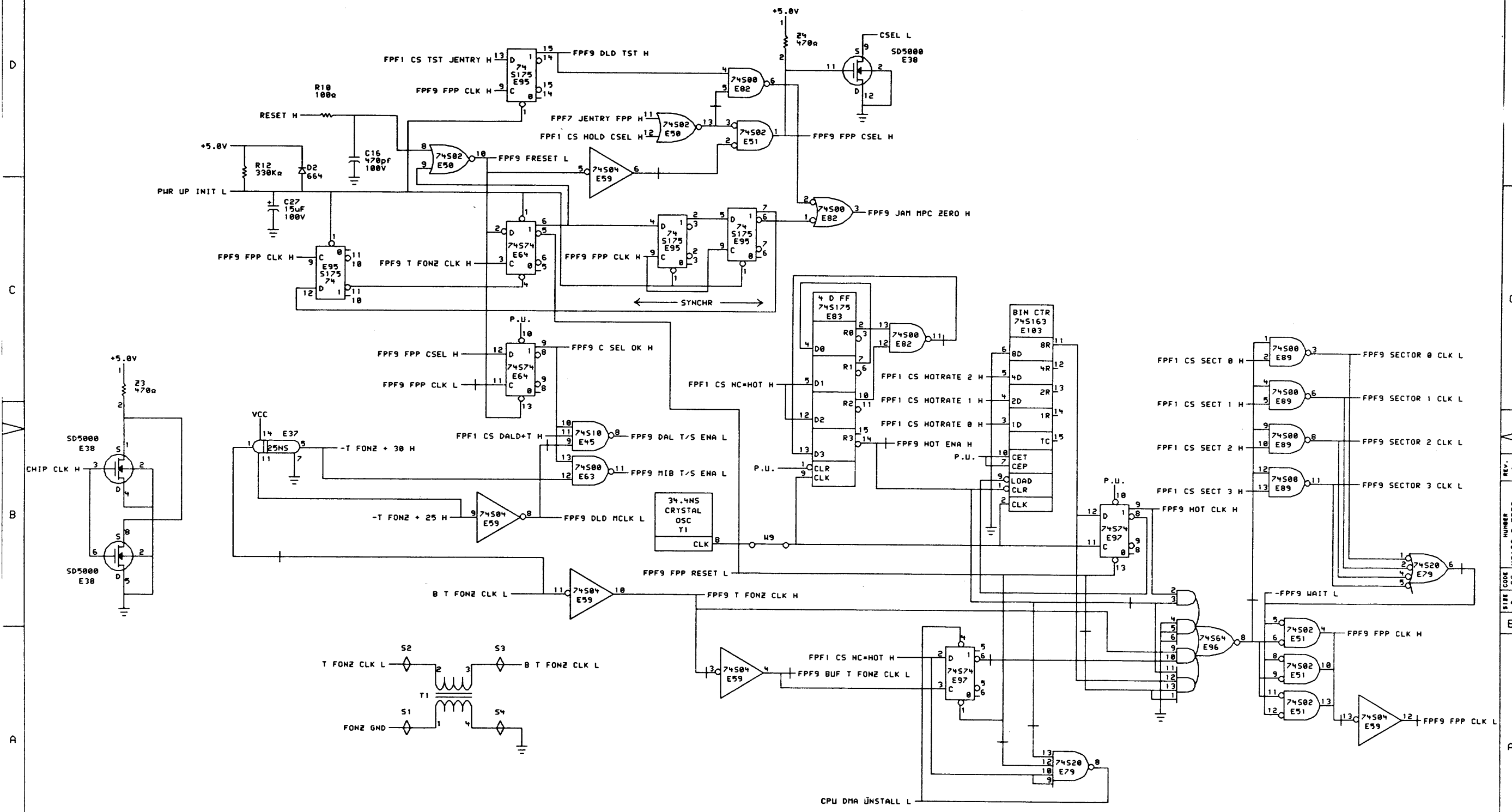


THIS DRAWING AND SPECIFICATIONS, HEREIN, ARE THE PROPERTY OF DIGITAL EQUIPMENT CORPORATION AND SHALL NOT BE REPRODUCED OR COPIED OR USED IN WHOLE OR IN PART AS THE BASIS FOR THE MANUFACTURE OR SALE OF ITEMS WITHOUT WRITTEN PERMISSION. COPYRIGHT © 1981, DIGITAL EQUIPMENT CORPORATION.

REVISIONS	
CHK	CHANGE NO. REV

	DATE: 16-FEB-81	ENG: <i>J. J. Jones</i>	DATE: 12-FEB-81	TITLE: DAL INTERFACE
	CHK: <i>P. J. Jones</i>	DATE: 16-FEB-81 13:52	BOARD LOCATION: 1	SIZE CODE: D CS
FIRST USED ON OPTION/MODEL: PPF11		NEXT HIGHER ASSEMBLY: B-DD-M8188-0		NUMBER: M8188-0-PPF8
				REV. A

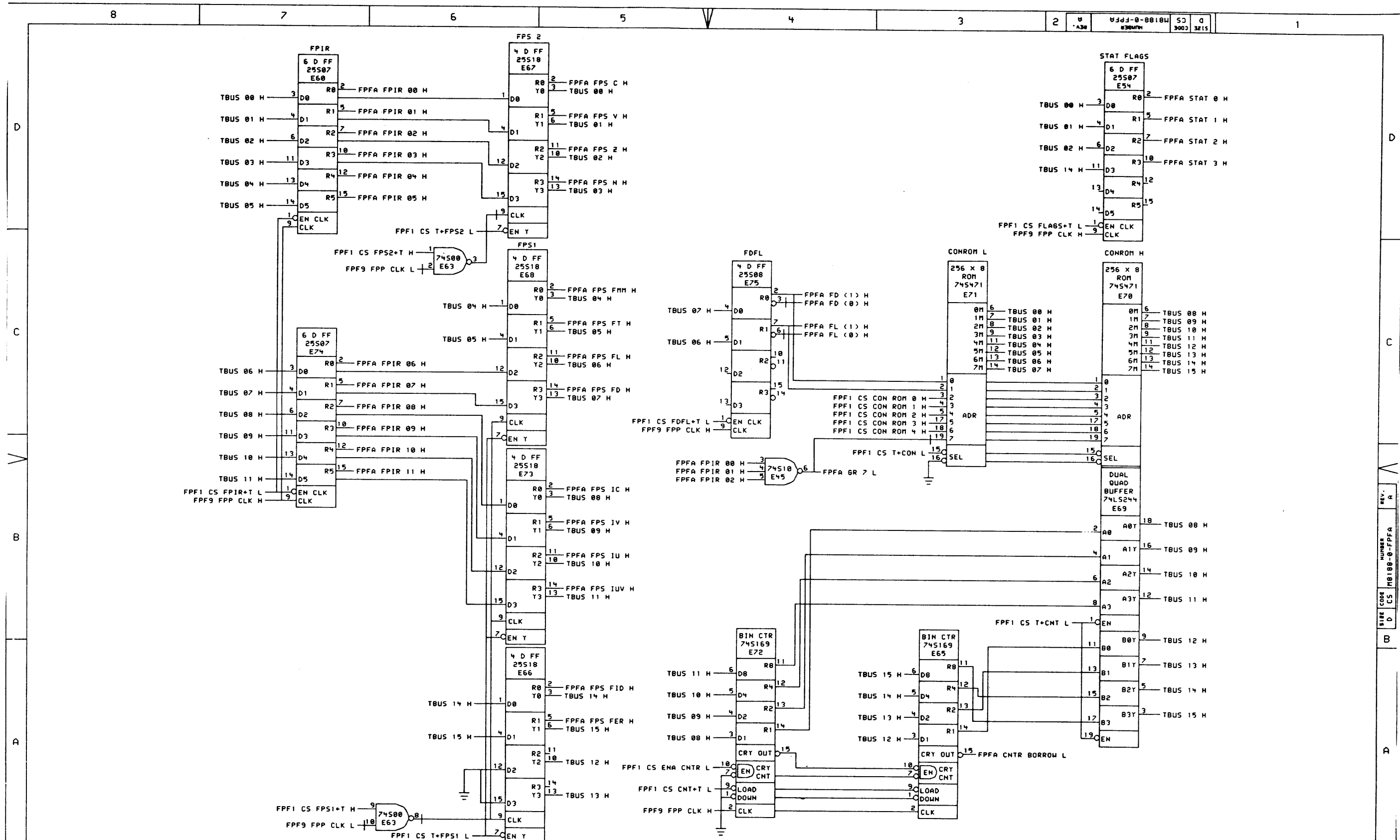
REV. A
NUMBER M8188-0-PPF8
SIZE CODE D CS



THIS DRAWING AND SPECIFICATIONS ARE THE PROPERTY OF DIGITAL EQUIPMENT CORPORATION AND SHALL NOT BE REPRODUCED OR COPIED OR USED IN WHOLE OR IN PART AS THE BASIS FOR THE MANUFACTURE OR SALE OF ITEMS WITHOUT WRITTEN PERMISSION. COPYRIGHT © 1981 DIGITAL EQUIPMENT CORPORATION.

REVISIONS		
CHK	CHANGE NO.	REV

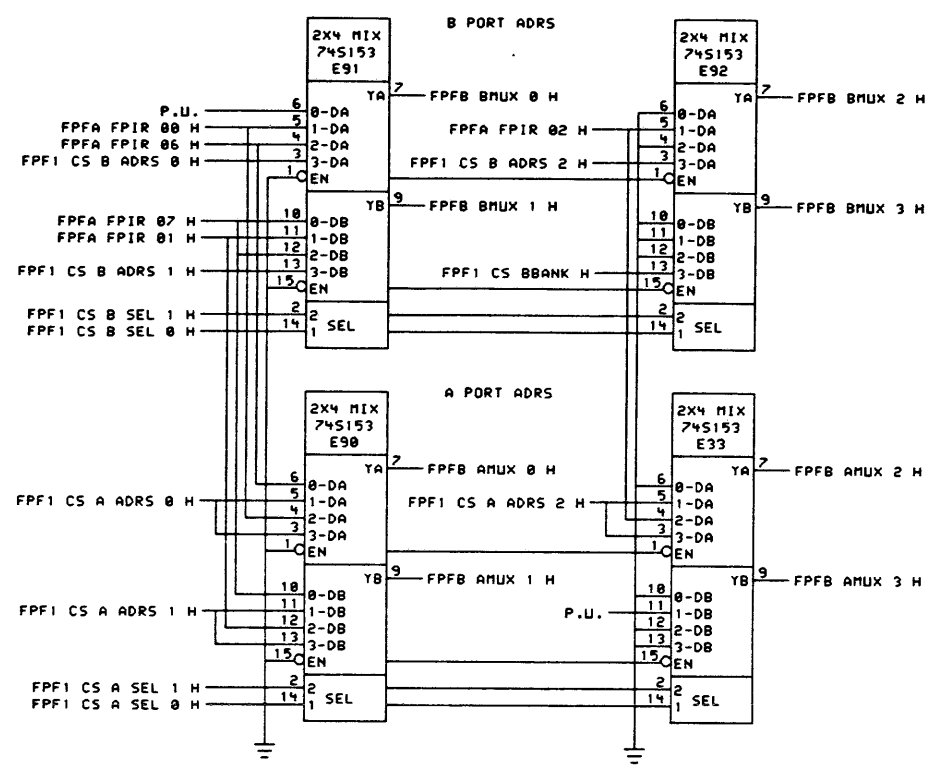
	DRW: <i>Looney</i>	DATE: 16-FEB-81	ENG: <i>Wick Jones</i>	DATE: 10-2-81	TITLE: RESTE, CSEL, MIB & DAL ENA LOGIC
	CHK: <i>A. H. M. H.</i>	DATE: 16-FEB-81 13:54	BOARD LOCATION: SHEET 1 OF 1	SIZE CODE: D CS	NUMBER: M8188-0-PPF9
PS1(TOWER) PPF98.DRW FIRST USED ON OPTION/MODEL: FPF11			NEXT HIGHER ASSEMBLY: B-DD-M8188-0		REV. A



THIS DRAWING AND SPECIFICATIONS, HEREIN, ARE THE PROPERTY OF DIGITAL EQUIPMENT CORPORATION AND SHALL NOT BE REPRODUCED OR COPIED OR USED IN WHOLE OR IN PART AS THE BASIS FOR THE MANUFACTURE OR SALE OF ITEMS WITHOUT WRITTEN PERMISSION. COPYRIGHT © 1981, DIGITAL EQUIPMENT CORPORATION.

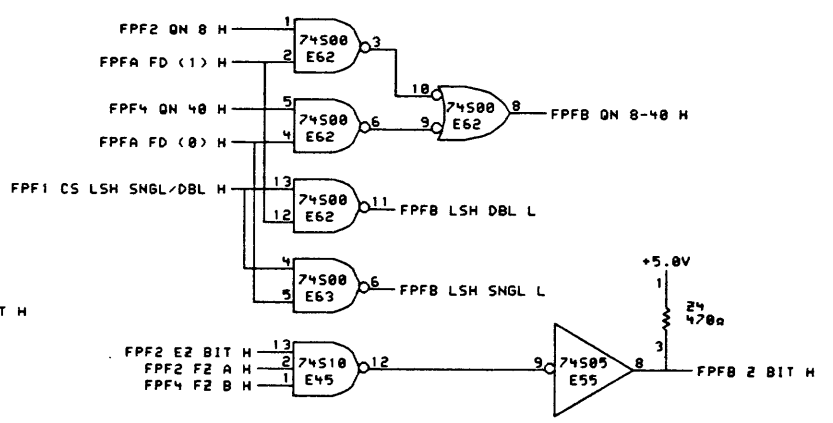
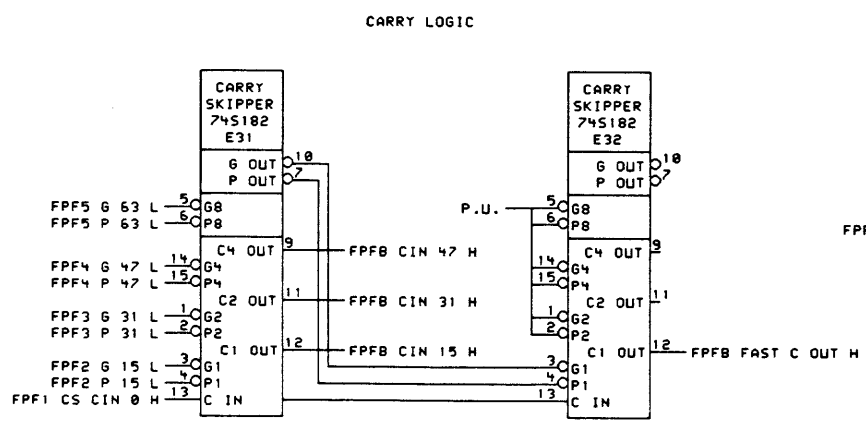
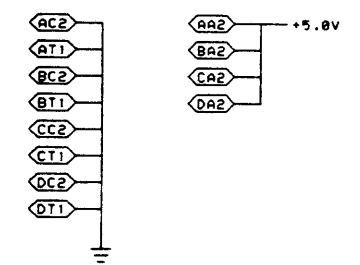
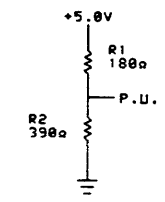
REVISIONS	
CHK	CHANGE NO. REV

	DR: <i>J. Family</i>	DATE: 16-FEB-81	ENG: <i>[Signature]</i>	DATE: 19-FEB-81	TITLE: T-BUS RESOURCES
	CHK: <i>[Signature]</i>	DATE: 16-FEB-81	BOARD LOCATION: 1	SHEET: 1 OF 1	
FIRST USED ON OPTION/MODEL: FPF11		NEXT HIGHER ASSEMBLY: B-OD-M8188-0		SIZE CODE: D CS	NUMBER: M8188-0-FPFA
					REV. A



B PORT CHANNEL
 0 X3:0R.X1 = AC.OR.1
 1 X7:X0 =FSRC
 2 X3:X0 =AC
 3 X17:X10 = B ROM * BBANK

A PORT CHANNEL
 0 X3:X0 =AC (FPIR <7:6>)
 1 X17:X10 =A ROM
 2 X7:X0 =F SRC / FDST (FPIR <2:0>)
 3 L0 ADRS



THIS DRAWING AND SPECIFICATIONS, HEREIN, ARE THE PROPERTY OF DIGITAL EQUIPMENT CORPORATION AND SHALL NOT BE REPRODUCED OR COPIED OR USED IN WHOLE OR IN PART AS THE BASIS FOR THE MANUFACTURE OR SALE OF ITEMS WITHOUT WRITTEN PERMISSION. COPYRIGHT © 1981, DIGITAL EQUIPMENT CORPORATION.

REVISIONS		
CHK	CHANGE NO.	REV

digital DATE 16-FEB-81 ENG. DATE 16-FEB-81 TITLE: MISC. SLICE LOGIC

CHK'D: *[Signature]* DATE BOARD LOCATION: SHEET 1 OF 1

PSICTOWER-PPFB.DRW 16-FEB-81 15:13 NEXT HIGHER ASSEMBLY: B-DD-M8188-0

SIZE	CODE	NUMBER	REV.
D	CS	M8188-0-PPFB	A

