

**ÉlanSC310 Microcontroller
Evaluation Board
User's Manual**

ÉlanSC310 Microcontroller Evaluation Board, Revision 1.0

© 1996 by Advanced Micro Devices, Inc.

All rights reserved. No part of this publication may be reproduced, stored in a retrieval system, or transmitted in any form or by any means, electronic, mechanical, photocopying, recording, or otherwise, without the prior written permission of Advanced Micro Devices, Inc.

Use, duplication, or disclosure by the Government is subject to restrictions as set forth in subdivision (b)(3)(ii) of the Rights in Technical Data and Computer Software clause at 252.227-7013. Advanced Micro Devices, Inc., 5204 E. Ben White Blvd., Austin, TX 78741.

AMD is a registered trademark, and Élan is a trademark of Advanced Micro Devices, Inc.

Other product or brand names are used solely for identification and may be the trademarks or registered trademarks of their respective companies.



The text pages of this document have been printed on recycled paper consisting of 50% recycled fiber and 50% virgin fiber; the post-consumer waste content is 10%. These pages are recyclable.

Advanced Micro Devices, Inc.
5204 E. Ben White Blvd.
Austin, TX 78741-7399



Contents

About the ÉlanSC310 Microcontroller Evaluation Board

Features.....	x
---------------	---

Chapter 1

Quick Start

Booting DOS From a Diskette	1-2
Installation Requirements.....	1-3
Board Installation	1-4
Connecting an IDE Hard Drive.....	1-7
For More Information	1-9

Chapter 2

Board Functional Description

Board Layout	2-2
Evaluation Board Restrictions	2-4
BIOS	2-5
SystemSoft BIOS	2-6
PhoenixPICO BIOS	2-10
Bus Modes	2-16
ISA Mode	2-17
Local Bus Mode	2-18

Memory.....	2-18
DRAM Main Memory.....	2-19
Memory Voltage Setting.....	2-19
I/O.....	2-20
PS/2 Mouse.....	2-20
Serial Ports.....	2-21
Parallel Port.....	2-21
IDE Hard Drive.....	2-21
ROMs.....	2-22
Power Measurement.....	2-23
BL1–BL4 Pins.....	2-24
Breadboard Area.....	2-24
Power Management.....	2-24
Suspend/Resume.....	2-25
Power Management Simulation.....	2-25
MicroPower Off Mode.....	2-26

Chapter 3

Using the Software

SystemSoft Evaluation Diskette.....	3-1
PhoenixPICO Evaluation Diskette.....	3-1
Datalight Software Evaluation Kit Diskette.....	3-1
AMD Utilities Diskette.....	3-2
Elan PMU Evaluation Utility.....	3-4
A: Setup PMU Mode Characteristics (PMCx Pins, CPU Speed).....	3-5
B: Force PMU State Transitions.....	3-8
C: Test Battery Level & ACIN Pins.....	3-9
X: Restore PMU State and Exit to DOS.....	3-9
Z: Leave Current PMU Values and Exit to DOS.....	3-9

EvalSet Serial and Parallel Port Setup Utility	3-10
Serial Port 1	3-10
Serial Port 2	3-10
Parallel Port 1	3-11
Usage	3-11
Memory Management System (MMS) Viewer Utility	3-12
Description	3-12
Scope	3-13
Operating Instructions	3-13
Restrictions on Use	3-17
Register Dump Utility	3-19

Chapter 4

Developing Code

Programmable General Purpose (PGP) Pins	4-2
Power Management Control (PMC) Pins	4-3
Programming BIOS Flash/EPROM or Application Flash/EPROM	4-5
Evaluation Board's Memory Map	4-7
Evaluation Board's I/O Map	4-10
Evaluation Board's IRQ Mapping	4-11
Evaluation Board's DMA Mapping	4-13
Evaluation Board's Components	4-14
Enabling the ÉlanSC310 Internal Serial Port	4-15

Appendix A

Evaluation Board Setup Summary

Setup Summary..... A-1

Appendix B

Verified Peripherals

Verified Peripherals B-1

Appendix C

Board Layout Suggestions

Board Layout Suggestions C-1

Appendix D

Schematics

Schematics D-1

Index

List of Figures

ÉlanSC310 Microcontroller Evaluation Board	2-2
--	-----

List of Tables

Installation Troubleshooting	1-6
Board Layout.....	2-3
SystemSoft BIOS Set-Up Screen Options	2-6
PhoenixPICO BIOS Main Menu Setup Screen Options	2-11
PhoenixPICO BIOS Advanced Menu Setup Screen Options	2-13
PhoenixPICO BIOS Power Menu Setup Screen Options	2-14
PhoenixPICO BIOS Exit Menu Setup Screen Options.....	2-15
Bus Mode Selection and Affected Jumpers	2-17
I/O Address 100–107	4-2
Typical Full ISA Memory Map	4-8
Typical Full ISA I/O Map	4-10
Typical Full ISA IRQ Mapping	4-12
Typical Full ISA DMA Mapping.....	4-13
Bus Mode Selection and Affected Jumpers	A-2
Configuration Jumpers	A-2
JP18.....	A-3
Switches	A-3
Power Measurement Jumpers	A-4



About the ÉlanSC310 Microcontroller Evaluation Board

Congratulations on your decision to design with the ÉlanSC310 microcontroller! This sophisticated, integrated device is uniquely suited to meet the needs of the next generation of embedded solutions. From its high integration to PC/AT compatibility to remarkable power management, the ÉlanSC310 microcontroller is the ideal device to enable compact, fully functional, low-power designs with a quick time to market.

The ÉlanSC310 microcontroller evaluation board has been provided as a test and development platform for ÉlanSC310 microcontroller-based designs. Most of the possible options and features of the ÉlanSC310 microcontroller can be exercised on this board. Since there are numerous options available, this board is a much larger form factor than could be achieved with a dedicated set of features. . This evaluation board is provided as a reference only and should only be used to experiment with the design trade-offs of the ÉlanSC310 microcontroller, make power measurements, and develop operating and application software.

NOTE: Advanced Micro Devices does not assume any responsibility for the maintenance of this evaluation tool. Changes to the schematics will only be made if the board is required to go back through a CAD layout.

Refer to the *ÉlanSC310 Microcontroller Data Sheet* and the *ÉlanSC310 Microcontroller Programmer's Reference Manual* for detailed information on the ÉlanSC310 microcontroller.

Features

External Connectors

- Two serial port connections
 - One internal ÉlanSC310 16C450-compatible port (COM1 or COM2 configurable)
 - One Super I/O 16C550-compatible port (COM1 through COM4 configurable)
- One parallel port connection from the ÉlanSC310 microcontroller
- Two 16-bit ISA slots (for evaluation of ISA-based devices only)
- One IDE connector (connected to the ÉlanSC310 ISA bus)
- One floppy-drive connector (connected to the Super I/O floppy-drive controller)
- One AT-style keyboard connector (connected to the 8042 keyboard controller)
- One PS/2-style mouse connector (connected to the 8042 keyboard controller)

Main Memory Configurations

- DRAM
 - 512 Kbyte, 1 Mbyte, 2 Mbyte, 4 Mbyte, 8 Mbyte and 16 Mbyte DRAM configurations supported
 - 3-V or 5-V DRAM support
 - Four standard 30-pin DRAM SIMM sockets
 - One standard, 72-pin DRAM, 16-bit SIMM socket (can be used instead of the 30-pin sockets)

Power Management

- Power planes are isolated and jumpers are provided to measure current consumption. The CPU voltage sources are: V_{CC} , V_{CCMEM} , V_{CCSYS} , V_{CCSYS2} , V_{CC5} , V_{CC1} , A_{VCC}
- Suspend/Resume button provided (note that BIOS' enable the suspend/resume function)
- MicroPower Off button provided for testing
- DIP switch for transitioning battery-low and ACIN pins for testing

Bus Modes

- Full ISA mode (full 16-bit ISA bus support)
- Local Bus mode (16-bit bus support for high speed video)

BIOS ROM

- Two 32-pin DIP sockets are provided to allow for BIOS ROMs (which socket is enabled is selected via JP32)
- Either a 128Kx8 or 256Kx8 EPROM/Flash is supported (AMD's 27C010 or 27C020 EPROM, and AMD's 12-V 28F010, 5-V 29F010, 12-V 28F020, or 12-V 28F020A Flash are recommended)
- 12-V programming voltage is available
- Evaluation copies of PhoenixPICO BIOS and SystemSoft BIOS are provided in the sockets of the evaluation board

Application ROM (DOS ROM)

- Four 32-pin DIP sockets are provided for application ROM space
- 256Kx8 or 512Kx8 EPROM/ROM devices are supported (AMD's 27C020 or 27C040 are recommended)
- 256Kx8 Flash devices are supported (AMD's 12-V 28F020 or 12-V 28F020A Flash are recommended)

NOTE: 512Kx8 Flash can be supported after a minor board rework. Contact your local AMD or distributor Field Application Engineer for more information.

- Application ROM space is 16-bits wide (two or four devices must be used)
- 12-V programming voltage is available
- Datalight ROM-DOS mini-SDK (software developer's kit) is provided with the evaluation kit

Debugging

- Headers for all 208 signals on the ÉlanSC310 microcontroller
- Supports DOS Soft ICE tools and ROM ICE tools
- Support for standard x86 application debugging tools

OS Support

- Compatible with standard 32-bit operating systems
- DOS, WinLight, Windows 3.1, GEOS, QNX

Chapter 1



Quick Start

This chapter provides information that helps you quickly set up and start using the ÉlanSC310 microcontroller evaluation board.

The ÉlanSC310 microcontroller evaluation board is shipped with evaluation BIOS' from Phoenix and SystemSoft, which have been configured specifically for this board. (A jumper, JP32, selects which BIOS is used at power-up.) The BIOS contains the code which allows the ÉlanSC310 microcontroller evaluation board to function just like a standard AT-compatible PC. The ÉlanSC310 microcontroller evaluation board can boot from standard AT-compatible diskettes and can use AT-compatible displays, display adapters and keyboards.

This chapter describes how to set up the ÉlanSC310 microcontroller evaluation board in Full ISA Bus mode and boot DOS from a diskette. In this mode, the Trident ISA bus VGA card is used to drive a common video monitor.

The end of the chapter explains how to connect an IDE hard drive to configure your ÉlanSC310 microcontroller evaluation board to operate like a standard 386 desktop computer.

Booting DOS From a Diskette



CAUTION: As with all computer equipment, the ÉlanSC310 microcontroller evaluation board may be damaged by electrostatic discharge (ESD). Please take proper ESD precautions when handling any board.

Warning: Read before using this evaluation board

Before applying power, the following precautions should be taken to avoid damage or misuse of the board:

- Make sure power supply connectors (from a standard AT system power supply) are plugged onto the board correctly. The grounds (usually black wires) should meet at the center of the two power supply connectors on the board.
- See “Board Layout” on page 2-3 for important information.
- See appendix B for a list of peripherals that have been used to test the evaluation board prior to shipping.

The following documents are updated on an ongoing basis and contain important errata information regarding the evaluation board.

- The Evaluation Board Errata document discusses hardware issues pertaining to the evaluation board. The current version is shipped with the kit; contact your local AMD representative for any updates.
- The BIOS Errata document discusses software issues pertaining to the Phoenix and SystemSoft BIOS’ that are shipped with your evaluation board. This document is available through your local AMD representative.

Installation Requirements

First you need the following from the ÉlanSC310 microcontroller evaluation board kit:

- ÉlanSC310 microcontroller evaluation board
- VGA display adapter

You need to provide the following items (see the appendix “Verified Peripherals” on page B-1 for a list of peripherals that are known to work with the ÉlanSC310 microcontroller evaluation board):

- An AT-compatible 3.5" disk drive
- A standard 34-wire AT disk-drive cable
- A VGA monitor
- A cable to connect the VGA monitor to the VGA display adapter
- An AT-compatible keyboard
- A standard PC power supply (at least 230 watts)
- A bootable 3.5" DOS diskette

Board Installation

NOTE: See “ÉlanSC310 Microcontroller Evaluation Board” on page 2-2 for a layout diagram of the board.



DANGER: Make sure the power supply and the VGA monitor are *not* plugged into an electrical outlet during the following steps.

1. Remove the board from the shipping carton. Visually inspect the board to verify that it was not damaged during shipment. The board contains several jumpers. The following steps assume all jumpers are in the factory default configuration.
2. Inspect the 34-wire disk-drive cable that you are providing. The red wire along one edge of the ribbon cable indicates wire 1. Connect one end of the 34-wire disk-drive cable to the disk drive just as you would for a standard PC installation. The disk-drive documentation should indicate where to put wire 1.

Connect the other end of the 34-wire disk-drive cable to the 34-pin connector P27 on the ÉlanSC310 microcontroller evaluation board with wire 1 toward the ROM sockets.
3. Insert the VGA adapter into either of the ISA slots on the ÉlanSC310 microcontroller evaluation board. The ISA slots are labeled P21 and P22.
4. Connect the VGA monitor cable from the monitor to the D-connector at the end of the VGA display adapter just as you would for a standard PC.
5. Connect the keyboard to the keyboard connector at P10.
6. Connect the connectors marked P8 and P9 from the standard PC power supply into the board's power connectors at P25 and P26. P8 connects to P25 (the six pins closest to the corner of the board); P9 to the other six pins. (See Figure 2-1 on page 2-2 for the connector locations.) *Make sure the black ground wires from P8 and P9 meet in the middle of the board's P25 and P26 connectors.*



DANGER: Failure to verify and check the power supply connections may result in total destruction of the ÉlanSC310 microcontroller evaluation board.

7. Find one of the 4-wire power connectors from the PC power supply and attach it to the 4-pin connector on the disk drive just as you would for a standard PC installation. The disk-drive documentation should indicate the proper orientation of the power cable.
8. Insert the bootable DOS diskette (not included) in the disk drive.
9. Plug the VGA monitor into an electrical outlet.
10. Apply power to the ÉlanSC310 microcontroller evaluation board by connecting the PC power supply to an electrical outlet. If equipped, turn on the power-supply switch. The power supply fan should be operating. Press the black MicroPower Off button, SW5. The red LED should now be lit.
11. Press the red RESET button, SW2. You should see the BIOS boot message on the monitor. When booting after being powered off, the CMOS ROM is not configured and you need to use the BIOS setup utility to configure the system. Follow the instructions shown on the screen to enter the Setup utility. Once you are in the Setup utility, you can set the system's processor speed, date, time, and other options (see "SystemSoft BIOS Set-Up Screen Options" on page 2-6 or "PhoenixPICO BIOS Main Menu Setup Screen Options" on page 2-11).
12. Save and exit the setup utility.

NOTE: The evaluation board does not have a battery backup. You need to run the setup utility each time the system is powered off.

13. The system should now boot from the DOS diskette just like a standard PC.

Table 1-1. Installation Troubleshooting

Problem	Solution
The board's power LED does not light when the power supply is turned on.	The black MicroPower Off button, SW5, needs to be pressed after power-up.
The board's power LED does not light even after the MicroPower Off button, SW5 is pressed.	Check power supply connections at P25 and P26.
The red power LED is on but I see nothing on the VGA monitor and do not hear any beeps from the speaker nor hear the head synchronization on the disk drive.	Ensure processor reset by pressing the red Reset button, SW2.
I hear a beep on the speaker but see nothing on the VGA monitor.	Check that the monitor has AC power. Check that the monitor is correctly connected to the VGA display adapter. Check that the display adapter is correctly seated in the ISA slot.
I get the startup message on the monitor but it says there's a CMOS checksum error and doesn't finish booting.	This is the normal condition after power-up. The ÉlanSC310 microcontroller evaluation board's CMOS RAM does not have battery backup. Follow the BIOS' instructions to run the Setup utility to configure the CMOS RAM. Once configured, the CMOS RAM can be saved by leaving the power supply on but using the MicroPower Off button, SW5, to power down the board.
I've configured the CMOS RAM but I don't hear any sound from the disk drive and the system does not boot from the diskette.	Check that the 34-wire cable to the disk drive is properly connected at both the disk-drive end and the board end (board connector P27). Check that the CMOS setup indicates that drive A is a 3.5" 1.44 Mbyte drive.
I hear the diskette being accessed but get an error message "Non System disk".	Check that the diskette in the drive is indeed bootable, just as you would on a standard PC.

Problem	Solution
I get a "Missing Keyboard" error message on the monitor during boot-up.	Check that keyboard is properly connected.
There is a problem you cannot resolve.	Contact the AMD Technical Support Hotline at 1-800-222-9323.

Connecting an IDE Hard Drive

This section describes how to connect an IDE hard drive to the ÉlanSC310 microcontroller evaluation board. You need to provide the following additional items:

- An IDE-compatible hard drive of size not more than 512 Mbyte. See the appendix “Verified Peripherals” on page B-1 for a list of hard drives that are known to work. Note that Connor and Fujitsu hard drives do not work with the ÉlanSC310 microcontroller evaluation board.
- A standard 40-wire AT IDE cable.

Assuming you have successfully booted to DOS from a disk drive as described in “Booting DOS From a Diskette” on page 1-2, do the following:

1. Disconnect power by unplugging the PC power supply from the AC outlet.



WARNING: If the PC power supply is on but the board has been put in a standby mode using the MicroPower Off button, there is still some power on the board. Completely unplug the power supply before continuing.

2. Inspect the 40-wire IDE cable that you are providing. The red wire along one edge of the ribbon cable indicates wire 1. Connect one end of the 40-wire IDE cable to the hard drive just as you would for a standard PC installation. The hard drive documentation should indicate where to put wire 1. Connect the other end of the 40-wire IDE cable to the 40-pin connector P28 on the ÉlanSC310 microcontroller evaluation board with wire 1 toward the ROM sockets.

3. Find one of the 4-wire power connectors from the PC power supply and attach it to the 4-pin connector on the hard drive just as you would for a standard PC installation. The hard drive documentation should indicate the proper orientation of the power cable.
4. Apply power to the ÉlanSC310 microcontroller evaluation board by connecting the PC power supply to an electrical outlet. Then press the black MicroPower Off button, SW5. The red LED should now be lit.
5. Press the red Reset button, SW2. You should see the BIOS boot message on the monitor. When booting after a power-up, the CMOS ROM is not configured and you need to use the BIOS setup utility. Follow the instructions shown on the monitor to enter the Setup utility.
6. In the BIOS setup utility, you need to configure Drive C for the proper number of heads, cylinders and sectors. (Some BIOS products have an AutoDetect feature that automatically detects this information; some require you enter this information manually.) You should be able to get these numbers from your hard drive documentation. Follow the prompts to save this configuration and exit the BIOS setup utility.
7. Whether or not your hard drive contains an already installed bootable disk image (written from some other PC), you should still keep your bootable diskette in the A drive and boot from that. After you boot properly from A, try to do a directory listing of C. If the directory listing of C works, you can try removing the diskette from A and booting from C (Ctrl-Alt-Delete). Note that not all BIOS' have the same mapping of logical to physical sectors on a hard drive, so if your hard drive was written by the BIOS on some other computer, it may not be readable by the BIOS on the ÉlanSC310 microcontroller evaluation board. If you are unable to boot from C, you should reformat the hard drive for use on the ÉlanSC310 microcontroller evaluation board (see your DOS documentation for how to reformat your hard drive).

For More Information ...

If you need more information about:

- How to setup and use the serial ports or parallel port, including a serial mouse, see “Serial Ports” on page 2-21.
- How to setup and use the parallel port, see “Parallel Port” on page 2-21.
- How to add a PS/2 mouse, see “PS/2 Mouse” on page 2-20.
- How to change the processor speed, see “SystemSoft BIOS” on page 2-6 or “PhoenixPICO BIOS” on page 2-10.
- How to change the amount of DRAM, see “DRAM Main Memory” on page 2-19.
- How to use a local bus card, see “Local Bus Mode” on page 2-18.
- How to enable Power Management functions, see “SystemSoft BIOS” on page 2-6 or “PhoenixPICO BIOS” on page 2-10.

Chapter 2



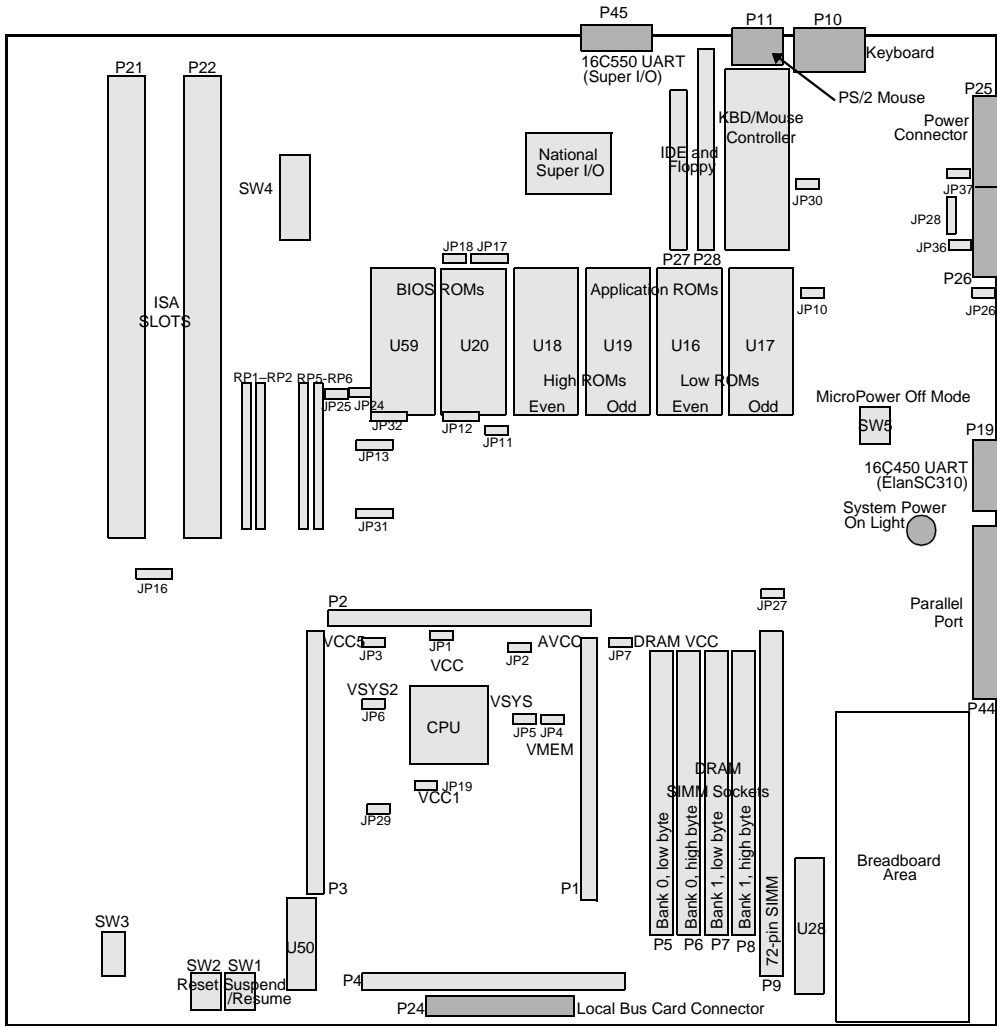
Board Functional Description

The ÉlanSC310 microcontroller evaluation board provides a development platform for ÉlanSC310 microcontroller-based designs. Read the following sections to learn more about the board:

- “Board Layout” on page 2-2
- “Evaluation Board Restrictions” on page 2-4
- “BIOS” on page 2-5
- “Bus Modes” on page 2-16
- “Memory” on page 2-18
- “I/O” on page 2-20
- “ROMs” on page 2-22
- “Power Measurement” on page 2-23
- “Power Management” on page 2-24
- “MicroPower Off Mode” on page 2-26

See “Evaluation Board Setup Summary” on page A-1 for a summary of the board settings. See “Board Layout Suggestions” on page C-1 for board layout strategy for the 32-kHz oscillator, the PLLs, and the power supplies.

Board Layout



1.0

Figure 2-1. ÉlanSC310 Microcontroller Evaluation Board

Table 2-1. Board Layout

Part	Description	Page Number
JP1–JP7	Power measurement	2-23
JP10–JP11	Power measurement	2-23
JP12	ROM type	2-22
JP13	Application ROM size	2-22
JP16	2x CPU clock	2-16
JP17	Super I/O UART	2-16
JP18	PS/2 mouse	2-16, 2-20
JP19	Power measurement	2-23
JP32	BIOS ROM selection	2-5, 2-22
RP1–RP6	Bus mode selection	2-16
SW1	Suspend/Resume	
SW2	Reset	
SW3	Local Bus RDY config.	2-18
SW4-1	Memory voltage setting	2-19
SW4-2	PIRQ1 connect	2-25
SW4-3	IRQ1 connect	2-25
SW4-4—SW4-7	Battery status	2-24
SW4-8	ACIN	2-25
SW5	MicroPower Off mode	2-26

Evaluation Board Restrictions

- The evaluation board ISA bus can only run at 5 V. In normal designs this is not a restriction.
- The DRAM SIMM modules must have a 70-ns or less RAS access time, for 33 MHz operation.
- The DRAM on the SIMM modules must be x4, x8 or x16. The ÉlanSC310 microcontroller cannot drive x1 DRAM due to the large capacitance associated with 32 loads.
- System DRAM population of both the 30-pin SIMM sockets and the 72-pin SIMM socket is not supported simultaneously.
- On the 72-pin SIMM socket, only 16-bit SIMM modules are fully supported. 32-bit SIMMs can be used in the 72-pin SIMM socket but only half of the memory will be visible.
- Software cannot be used to switch between ISA and local bus configurations. One of the configurations must be set up before power-up.
- The BIOS ROM sockets (U20 and U59) can only be populated with the following (the AMD recommended part is also listed):
 - 128Kx8 ROM/EPROM (AMD 27C010)
 - 256Kx8 ROM/EPROM (AMD 27C020)
 - 128Kx8 Flash (AMD 12-V 28F010 or 5-V 29F010)
 - 256Kx8 Flash (AMD 12-V 28F020 or 28F020A)

- Application (DOS) ROM space is 16-bits wide (two or four devices must be used).
- The DOS ROM sockets (U16–U19) can only be populated with the following (the AMD recommended part is also listed):
 - 256Kx8 ROM/EPROM (AMD 27C020)
 - 512Kx8 ROM/EPROM (AMD 27C040)
 - 256Kx8 Flash (AMD 12-V 28F020 or 28F020A)

NOTE: 512Kx8 Flash can be supported after a minor board rework. Contact your AMD FAE for more information.

- Some ISA signals are not available when using Local Bus mode. Refer to the *ÉlanSC310 Microcontroller Data Sheet* and *Programmer's Reference Manual* for detailed information on the ÉlanSC310 functionality.
- The RTC RAM (integrated in the ÉlanSC310 microcontroller)—which is used to maintain time, date and system configuration data—is cleared (lost) when power is removed from the V_{CC} & AV_{CC} power planes.
- Connectors are available to test local bus operation and modes. However due to bus loading, High Speed operation is not possible without depopulating several components.

BIOS

The ÉlanSC310 microcontroller evaluation board comes with SystemSoft BIOS programmed into the ROM in socket U20, and PhoenixPICO BIOS programmed into the ROM in socket U59. Jumper JP32 selects which ROM socket is used when the system boots (JP32 =1-2 selects socket U59, JP32=2-3 selects socket U20). Each BIOS is an evaluation version specific to the evaluation board.

An evaluation diskette for each BIOS is shipped with your kit. The BIOS ROM images are located on their respective diskettes.

NOTE: These are evaluation BIOS' only. Each BIOS has been tested on the evaluation board and a list of know errata is available on the AMD Utilities diskette. For the most recent errata listing, contact your local AMD representative.

SystemSoft BIOS

On system power-up, the SystemSoft BIOS tests the system and determines if there are any problems with the setup configuration. Since there is no CMOS backup power on the evaluation board, it uses the default BIOS settings upon initial power-up.

NOTE: You need to run setup each time the system is powered off and on again.

SystemSoft BIOS also monitors the Valid RAM and Time (VRT) bit in the RTC. This bit gets reset every time a hardware reset occurs. Therefore, every time the system is reset using the red Reset button, SystemSoft BIOS flags a setup error. If this occurs, press F1 to continue booting with the previous setup information.

If a setup error occurs, the BIOS prompts the user to press the CNTL-ALT-S keys to enter the setup screen. The setup screen can also be entered while in DOS by pressing the CNTL-ALT-S keys.

SystemSoft has a familiar menu-driven setup screen. The options are listed in the table below. The default options are indicated in bold.

Table 2-2. SystemSoft BIOS Set-Up Screen Options

Menu-Bar Item	Option	Description	Parameters
Standard	Set Date	Sets system date	(User enters)
	Set Time	Sets system time	(User enters)
	Diskette Disk	Selects disk drive type	2.88MB 1.44MB (default for drive A) 1.7MB 720KB 360KB none (default for drive B)
	Hard Disk 1	Sets parameters for Hard Drive 1	Standard (select from list) Custom (enter your own) Auto (auto-detects drive parameters; works for most drives)

Menu-Bar Item	Option	Description	Parameters
	HD1 Translate Parameters	Leave this unchecked	
	Hard Disk 2	Sets parameters for Hard Drive 2	Standard (select from list) Custom (enter your own) Auto (auto-detects drive parameters; works for most drives)
	HD2 Translate Parameters	Leave this unchecked	
	Internal COM Port	Sets the ElanSC310 internal COM port	COM1 COM2 Disabled
	Super I/O COM Port	Sets the Super I/O port	COM1 COM2 COM3 COM4 Disabled
	LPT Port Address	Sets parallel port base address	3BC 378 278 Disabled
	Video Display	Sets video display type	EGA/VGA CGA80 CGA40 Monochrome
	CPU Speed	Sets processor speed	Low 20MHz 25MHz 33MHz
Preferences	NumLock on	Turns on NumLock	On Off
	Fast Boot	When On, does not perform memory check	On Off
	Virus Alter	When On, alerts user of boot sector writes	On Off
	First Boot	Selects which drive is booted from first	Drive A Drive C

Menu-Bar Item	Option	Description	Parameters
	Typematic Rate	Selects keyboard typematic rate	10CPS with 500ms delay
	Boot Password	Sets power-on password	None
	SCU Password	Sets password to enter setup screen	None
Memory	Video & BIOS shadow	When On, shadows video and BIOS code to DRAM	On Off
PowerMgmt	Enable PowerMgmt	When On, sets up the ÉlanSC310 timers to transition into Low, Doze and Suspend Power modes. When Off, the ÉlanSC310 always runs at the CPU SPEED set in the Standard Menu.	On Off
	Idle	Amount of time the ÉlanSC310 remains in High Speed mode with no activity prior to transitioning to Low Speed mode.	Off 0.5 seconds 1 seconds 2 seconds 4 seconds 8 seconds 12 seconds 16 seconds
	Doze	Amount of time the ÉlanSC310 remains in Low Speed mode with no activity prior to transitioning to Doze mode.	Off 5 seconds 10 seconds 20 seconds 30 seconds 40 seconds 50 seconds 60 seconds

Menu-Bar Item	Option	Description	Parameters
	Suspend	Amount of time the ÉlanSC310 remains in Doze mode with no activity prior to transitioning to Sleep/Suspend mode.	Off 2 minutes 4 minutes 6 minutes 8 minutes 10 minutes 12 minutes 14 minutes
Defaults	Defaults	Sets all setup screen settings to default values.	N/A
Exit	Exit	Prompts the user to save the setup and reboot.	N/A

PhoenixPICO BIOS

On system power-up, the PhoenixPICO BIOS tests the system and determines if there are any problems with the setup configuration. Since the evaluation board does not have CMOS back-up power, it uses the default BIOS settings on initial power-up. The user therefore needs to run setup each time the system is powered off and then on again.

BIOS prompts the user to press F2 to enter Setup mode and display the setup screen.

BIOS uses the following keys for navigating the setup screens and editing or selecting options.

Key	Function
Up Arrow	Move cursor up
Down Arrow	Move cursor down
Left Arrow	Move cursor left
Right Arrow	Move cursor right
+ or -	Toggle through options
ESC	Exit menu
F1	Help screen
F9	Setup defaults
F10	Previous values
Enter	Execute command

Four menus are available through the menu bar at the top of the window:

- **MAIN:** Use this menu for basic system configuration.
- **ADVANCED:** Use this menu to set the advanced features available on your system's chipset.
- **POWER:** Use this menu to specify your settings for Power Management.
- **EXIT:** Exits the current menu.

The PhoenixPICO BIOS setup screen options for each menu are shown in the tables on the following pages. Option defaults are indicated in bold.

Table 2-3. PhoenixPICO BIOS *Main* Menu Setup Screen Options

Option	Description	Parameters
System Time	Hour, Minute, and Second	(User enters)
System Date	Month, Date, and Year	(User enters)
Diskette A Diskette B	Selects the type of floppy disk drive(s) installed in your system.	Not Installed (for B) 2.88MB/3.5" 1.44MB/3.5" (for A) 720KB/5.25" 1.2MB/5.25" 360KB/5.25"
IDE Adapter Master IDE Adapter Slave	IDE adapters control the hard disk drive(s). The IDE adapter supports one master drive and one optional slave drive. A separate sub-menu is used to configure each hard drive.	Not Installed Types 1–49*
Video System	Selects video type.	EGA/VGA CGA 80x25 Monochrome

Option	Description	Parameters
Shadow Options: Video Shadow Memory Shadow	Shadows Video BIOS ROM. Shadows memory in the region specified.	Enabled Disabled Enabled Disabled If enabled, options are: C800–CBFF CC00–CFFF D000–D3FF D400–D7FF D800–DBFF DC00–DFFF E000–E3FF E400–E7FF E800–EBFF EC00–EFFF
Boot Sequence	Order in which the system searches drives for a boot disk.	C: then A: C: only A: then C:
Embedded Features: ROM DOS Support	Enables booting from the ROM DOS image.	Enabled Disabled
ROM/RAM Disk 0	Non-magnetic boot device	None Serial ROM/XMS
ROM/RAM Disk 1	Non-magnetic boot device	None Serial ROM/XMS

Option	Description	Parameters
System Memory	Amount of conventional memory detected during boot-up.	N/A
Extended Memory	Amount of extended memory installed on the system. It is detected automatically, so it should not require any manipulation.	N/A

* – If user type 48 is chosen, the following parameters must be set (they are usually found on the drive label):

- Type Number designation for the drive (user type = 48)
- Cyl Number of cylinders on specified drive (see drive label or documentation)
- Hd Number of heads on specified drive (see drive label or documentation)
- Pre Designates the starting cylinder of the read delay circuitry (set to 0)
- LZ Designates cylinder location where heads normally park when system is down (set to 0)
- Sec Number of sectors per track (see drive label or documentation)

Table 2-4. PhoenixPICO BIOS *Advanced* Menu Setup Screen Options

Option	Description	Parameters
CPU Speed	Sets processor speed	9.2 MHz 20 MHz 25 MHz 33 MHz
Advanced Chipset Control	Sets the divisor for the AT CLK.	CLK/6 CLK/5 CLK/4 CLK/3
Large Disk Access Mode	Select "DOS" if you have DOS; select "Other" if you use another operating system such as UNIX.	DOS Other

Table 2-5. PhoenixPICO BIOS Power Menu Setup Screen Options

Option	Description	Parameters
Power Management Mode	Turning this feature On enables power management.	On Off
Power Savings	Selects power management mode. "Max. Battery Life" and "Max. Performance" set power management options with predefined values. "Customize" enables you to make your own selections. "Disabled" turns off all power management.	Disabled Customize Max. Battery Life Max. Performance
Standby Timeout	Sets inactivity period required to put the system in Standby (partial power shutdown).	Disabled 1 sec 4 sec 8 sec 1 min 2 min 4 min 6 min 8 min 12 min 16 min
Suspend Timeout	Sets inactivity period required after Standby to Suspend (maximum power shutdown).	Disabled 1 min 2 min 4 min 6 min 8 min 12 min 15 min 16 min

Fixed Disk Timeout	Sets inactivity period of fixed disk required before Standby (motor off).	Disabled 10 sec 15 sec 30 sec 45 sec 1 min 2 min 4 min 8 min 12 min 16 min
Video Timeout	Length of time either the keyboard or mouse remains inactive before the screen is turned off.	Disabled 10 sec 15 sec 30 sec 45 sec 1 min 2 min 4 min 8 min 12 min 16 min

Table 2-6. PhoenixPICO BIOS *Exit* Menu Setup Screen Options

Option	Description
Save changes & exit	Exit after writing all changed setup values to CMOS.
Exit without saving changes	Exit without writing changed setup values to CMOS.
Get default values	Load default values for all setup items.
Load previous values	Read previous values from CMOS for all setup items.
Save changes	Write all setup item values to CMOS.

Bus Modes

The ÉlanSC310 microcontroller allows designs to utilize two different bus options: ISA or Local Bus. While in ISA mode, all of the device's ISA bus signals are available (refer to the *ÉlanSC310 Microcontroller Data Sheet* for a detailed description of the ISA bus). Local Bus mode provides a 386 local bus in addition to a subset of ISA bus signals. Refer to the *ÉlanSC310 Microcontroller Data Sheet* for a description of the signals available in each of these modes.

The ÉlanSC310 microcontroller evaluation board allows testing in each of the two bus modes available from the ÉlanSC310 microcontroller. Bus mode selection must be made before applying power to the board and cannot be changed while the board is in operation. Selection of the bus mode is determined by the resistor packs labeled RP1, RP2, RP5, and RP6 (see Table 2-7).

When adjusting the Bus mode jumpers, be sure to follow pin 1 designations. Pin 1 on the resistor packs must correspond to pin 1 on the evaluation board. JP16–JP18 must be set based on what bus mode is selected (see Table 2-7).

Table 2-7. Bus Mode Selection and Affected Jumpers

Bus Mode	Resistor Pack Setting	JP16		JP17		JP18	
		1-2	2-3	1-2	2-3	open	closed
Full ISA	Install RP1 & RP2 only	N/A	N/A	Connects IRQ3 from Super I/O	N/A	N/A	Connects IRQ12 from mouse
Local Bus	Install RP5 & RP6 only	2x CPU clock	N/A	Connects IRQ3 from Super I/O	N/A	N/A	Connects IRQ12 from mouse

ISA Mode

Provided on the ÉlanSC310 microcontroller evaluation board are two physical 16-bit ISA bus connectors. These slots are available for use when the board is configured for ISA mode. The ÉlanSC310 microcontroller ISA bus is a subset of a full ISA bus. Some signals are not available, therefore some ISA cards may not function properly on the evaluation board (refer to the *ÉlanSC310 Microcontroller Data Sheet* for a detailed description of the ISA bus). The ISA bus is wait-state programmable (refer to the *ÉlanSC310 Microcontroller Programmer's Reference Manual* for details on programming ISA bus timings).

Local Bus Mode

The ÉlanSC310 microcontroller evaluation board provides a proprietary local-bus connector for testing of local-bus designs. Since this connector is not standard, a custom interface is required to test the local-bus functionality of the ÉlanSC310 microcontroller on the evaluation board. In Local Bus mode, some of the ISA bus signals are lost. Refer to the *ÉlanSC310 Microcontroller Data Sheet* for more details on what signals are available in this mode. Since different local-bus implementations require different signal connections, the local bus signal $\overline{\text{VLRDYI}}$ can be connected to either $\overline{\text{VGARDY}}$ (from the local bus device) or to $\overline{\text{VLRDYO}}$ (from the ÉlanSC310) using switches 2 and 3 on SW3 (switches 1 and 4 are no connects). Note that $\overline{\text{VLRDYI}}$ corresponds to $\overline{\text{LRDY}}$ on the ÉlanSC310 microcontroller, and $\overline{\text{VLRDYO}}$ corresponds to $\overline{\text{CPURDY}}$.

SW3-2	Affected Signals
ON	Connects $\overline{\text{VGARDY}}$ to $\overline{\text{VLRDYI}}$
OFF	Open

SW3-3	Affected Signals
ON	Connects $\overline{\text{VLRDYO}}$ to $\overline{\text{VLRDYI}}$
OFF	Open

NOTE: Due to loading, High Speed operation is not possible without depopulating several components.

Memory

The ÉlanSC310 microcontroller evaluation board supports up to 16 Mbyte of memory in two different formats: 72-pin, 16-bit SIMM; or 30-pin, 8-bit SIMMs. Only one of these options can be used at a time. (That is, if the 30-pin DRAM sockets are used, the 72-pin DRAM socket must be empty. If the 72-pin DRAM socket is used, the 30-pin DRAM sockets must be empty.)

DRAM Main Memory

The ÉlanSC310 microcontroller evaluation board comes standard with 2 Mbyte of standard 30-pin, 70-ns DRAM SIMMs installed on the board. The evaluation board requires DRAMs with access times of 70 ns or less (for 33 MHz operation). The DRAM memory can be upgraded using 30-pin SIMMs with 4- or 8-bit DRAMs; SIMMs with 1-bit DRAMs cannot be used on the evaluation board due to loading restrictions associated with 32 loads.

Total Memory	Bank 0	Bank 1
1 Mbyte	Two 512-Kbyte	Empty
2 Mbyte	Two 512-Kbyte	Two 512-Kbyte
2 Mbyte	Two 1-Mbyte	Empty
4 Mbyte	Two 1-Mbyte	Two 1-Mbyte
8 Mbyte	Two 4-Mbyte	Empty
16 Mbyte	Two 4-Mbyte	Two 4-Mbyte

16 Mbyte of main DRAM memory can also be installed using a 72-pin, 16-bit SIMM module. This can be installed in the 72-pin SIMM socket located next to main memory bank 1 on the evaluation board (see Figure 2-1 on page 2-2). On the 72-pin SIMM socket, only 16-bit SIMM modules are fully supported. 32-bit SIMMs can be used in the 72-pin SIMM socket but only half of the memory will be visible.

BIOS automatically detects the amount of DRAM installed.

Memory Voltage Setting

The ÉlanSC310 microcontroller evaluation board allows system memory to operate at either 5 V or 3.3 V. When operating in Local Bus mode, 3.3 V memory must be used. In order to operate memory at 3.3 V, ensure that the memory is rated for 3.3-V operation. SW4-1 controls the voltage for the system memory.

SW4-1 Setting	Memory V_{CC}
OFF	3.3 V
ON	5 V

I/O

The ÉlanSC310 microcontroller integrates several standard I/O interfaces. A 16C450-compatible UART, bidirectional parallel port is controlled by the ÉlanSC310 microcontroller. In addition, the ÉlanSC310 microcontroller evaluation board contains a Super I/O, which contains a 16C550 UART, a floppy disk controller, and IDE hard drive interface.

A standard 9-pin connector is provided for an extended PC keyboard. A PS/2 port is provided for use with a PS/2 style mouse. Both the keyboard and PS/2 mouse are driven by the 8042.

PS/2 Mouse

A PS/2 port has been provided on the evaluation board for a PS/2-style mouse. This device is driven by the 8042 keyboard controller.

While in ISA or Local Bus mode, the ÉlanSC310 microcontroller IRQ12 signal is connected to the IRQ12 signal on the 8042 to control the PS/2 mouse. (See the settings for JP17 and JP18 in the table below.)

Bus Mode	JP17		JP18
	1-2	2-3	
Full ISA	Enables Super I/O serial port IRQ	Do not use	Closed to enable PS/2 mouse IRQ
Local Bus	Enables Super I/O serial port IRQ	Do not use	Closed to enable PS/2 mouse IRQ

Serial Ports

The evaluation board has two serial ports. Connector P19 is connected to the ÉlanSC310 internal 16C450-compatible UART. Connector P45 is connected to the Super I/O 16C550 UART. The BIOS determines how the UART is set up, e.g., SystemSoft BIOS allows the ÉlanSC310 to be set up as COM1, COM2, or disabled; and the Super I/O UART as COM1, COM2, COM3, COM4, or Disabled. (Note that when the Super I/O UART is configured as COM1 or COM3, the IRQ4 line from the Super I/O is not connected, therefore polling must be used.)

After DOS is booted, the DOS utility **EVALSET.EXE** provided on the AMD Utilities diskette included in your kit can be used to reinitialize either UART to the desired configuration. Refer to the documentation on the diskette for how to do this.

Parallel Port

Connector P20 is connected to the ÉlanSC310 parallel port. Most BIOS' let you configure the parallel-port base address in the set-up screen.

IDE Hard Drive

The ÉlanSC310 microcontroller evaluation board contains a standard 40-pin connection for an IDE drive at location P28 (see the figure on page 2-2). Pin 1 is at the end near the ROM sockets. See “Connecting an IDE Hard Drive” on page 1-7 for a step-by-step guide.

ROMs

The ÉlanSC310 microcontroller evaluation board provides two BIOS ROM sockets and four application ROM sockets capable of handling up to 256 Kbyte of BIOS ROM and up to 2 Mbyte of application ROM. The evaluation board supports BIOS and application ROMs as either Flash or EPROM devices. JP12 must be set to select either Flash or EPROM devices.

JP12	Type of ROM
1-2	Flash
2-3	EPROM

Two BIOS ROM sockets, U59 and U20, are available on the evaluation board. Each BIOS ROM socket is capable of supporting 128-Kbyte or 256-Kbyte Flash or EPROM BIOS ROMs. The active BIOS ROM is selectable by JP32.

JP32	BIOS ROM Selection
1-2	U59 (Phoenix)
2-3	U20 (SystemSoft)

Four 8-bit application ROM sockets, U16–U19, are provided on the evaluation board for ROM-based applications such as ROM-DOS. U16 (Even) and U17 (Odd) make up one logical 16-bit ROM (Low) beginning at offset 0 in application ROM space. U18 (Even) and U19 (Odd) make up a second logical 16-bit ROM (High) beginning where U16 and U17 end in application ROM space. These sockets can be populated with either 256 Kbyte 8-bit Flash, or 256 Kbyte or 512 Kbyte 8-bit EPROM devices. JP13 selects the size of application ROMs that can be used.

JP13	Application ROM Size
1-2	256Kx8 (Flash or EPROM)
2-3	512Kx8 (EPROM only)

NOTE: 512Kx8 Flash can be supported after a minor board rework. Contact your local AMD or distributor Field Application Engineer for more information.

Power Measurement

The evaluation board allows for measurement of current flow in separate V_{CC} planes for power budget analysis. The following table summarizes the connections to the V_{CC} jumpers. **Be sure to turn off system power before removing JP1–JP11. Replace JP1–JP11 before power-up or the system will not work.**

Jumper	V_{CC}	Logic connected to V_{CC} plane
JP1	V_{CC}	ÉlanSC310 core V_{CC} only. Always 3.3 V.
JP2	V_{CC3}	ÉlanSC310 AV_{CC} pin. Analog V_{CC} . Always 3.3 V.
JP3	V_{CC5}	ÉlanSC310 V_{CC5} pin. Diode clamp refs except V_{CCMEM} and AV_{CC} source pins. Always 5 V except in full 3.3-V designs. (Evaluation board limits to 5 V.)
JP4	V_{CCMEM}	ÉlanSC310 memory interface V_{CC} . See the SW4 table on page 2-19 for 3.3-V or 5-V setting. Restrictions do apply. Also the diode clamp ref for pins sourced by the V_{CCMEM} pin.
JP5	V_{CCSYS}	ÉlanSC310 ISA bus V_{CC} and other misc. pins. 5 V or 3.3 V. Refer to datasheet for details.
JP6	V_{CCSYS2}	ÉlanSC310 alternate pin V_{CC} . 5 V or 3.3 V. Refer to datasheet for details.
JP7	$V_{CCMEM53}$	System DRAM V_{CC} plane.
JP10	V_{CCKBOS}	8042 V_{CC}
JP11	V_{CCROM}	BIOS and Application ROM V_{CC}
JP19	V_{CC1}	ÉlanSC310 V_{CC1} pin 176. 5 V or 3.3 V.

A DOS application program has been provided to aid in placing the system in the various power management modes for power measurement. **ELANPMU.EXE** is on the AMD utilities diskette included with your kit. See “Élan PMU Evaluation Utility” on page 3-4 for more information on **ELANPMU.EXE**.

BL1–BL4 Pins

These signals are used to indicate the current status of the battery to the ÉlanSC310 microcontroller. A high signal indicates normal operating conditions, while a low indicates a warning condition. Access to these signals has been provided on the evaluation board to allow designers to test their functionality. Switches 4–7 on SW4 allow the BL1–BL4 signals to be toggles between GND (warning) and 5 V (normal).

SW4 Switches	Signal	ON	OFF
4	BL1	GND	5 V
5	BL2	GND	5 V
6	BL3	GND	5 V
7	BL4	GND	5 V

Breadboard Area

A breadboard area has been provided on the ÉlanSC310 microcontroller evaluation board. This area can be used as a convenient place to build custom circuits to interface to the evaluation board. The pins in this breadboard are all isolated from other pins and the rest of the board.

1.0

Power Management

The ÉlanSC310 microcontroller offers unparalleled power management in its class. In addition to low operating current, six power management modes are available: High Speed, Low Speed, Doze, Sleep, Suspend, and Off. Refer to the *ÉlanSC310 Microcontroller Data Sheet* and *Programmer's Reference Manual* for an in-depth discussion of these modes.

Suspend/Resume

The ÉlanSC310 microcontroller evaluation board provides a hardware option to allow the user to toggle between the High Speed and Suspend modes. By pressing the Suspend/Resume button after the system has powered up, the system enters the Suspend mode (assuming the ACIN signal is low). By pressing the Suspend/Resume button again, the system returns to High Speed mode. The behavior of the system in Suspend mode depends on the BIOS.

Power Management Simulation

Battery backup conditions can be simulated on the evaluation board by controlling the ACIN signal to the ÉlanSC310 microcontroller. When ACIN is low, power management functions on the ÉlanSC310 microcontroller are enabled. When ACIN is high, power management functions on the ÉlanSC310 microcontroller are disabled. Switch 8 on SW4 controls the ACIN pin on the ÉlanSC310, allowing power management functions to take effect if they are enabled.

SW4-8	ACIN
ON	GND
OFF	5 V

In order to get true power measurements while in Suspend mode, IRQ1 and PIRQ1 must be disconnected from the ÉlanSC310 microcontroller. The ÉlanSC310 microcontroller drives these signals low during Suspend mode. Since the peripherals connected to these lines drive them high, this creates the appearance of additional power drain. These signals can be easily disconnected while in Suspend mode using switches 2 and 3 on SW4.

SW4-2	PIRQ1
ON	Connect
OFF	Disconnect
SW4-3	IRQ1
ON	Connect
OFF	Disconnect

Before exiting from Suspend mode, IRQ1 and PIRQ1 must be reconnected for the system to function properly.

MicroPower Off Mode

This mode is the lowest power mode for the ÉlanSC310 microcontroller. When the system is initially powered by turning on the power supply and then pressing the MicroPower Off button, SW5, the system enters High Speed mode. The red power light indicates that the system is fully powered on. Pressing the MicroPower Off button, SW5, again, causes the ÉlanSC310 microcontroller to enter MicroPower Off mode. During MicroPower Off mode, only AV_{CC} , V_{CC} , and the 32-KHz crystal remain active. The system is essentially off, but the RTC remains in operation. Please refer to the *ÉlanSC310 Microcontroller Data Sheet* for a more detailed explanation of this feature.

Chapter 3



Using the Software

The ÉlanSC310 microcontroller evaluation board kit currently ships with four diskettes: the SystemSoft Evaluation diskette, the PhoenixPICO Evaluation diskette, the Datalight Software Evaluation Kit diskette, and the AMD Utilities diskette.

SystemSoft Evaluation Diskette

This diskette contains the evaluation version of SystemSoft's BIOS ROM image programmed into the ROM on the evaluation board. Please refer to the documentation on the diskette for further information about these files.

PhoenixPICO Evaluation Diskette

This diskette contains the evaluation version of the PhoenixPICO BIOS ROM image programmed into the ROM on the evaluation board. Please refer to the documentation on the diskette for further information about these files.

Datalight Software Evaluation Kit Diskette

This diskette contains software for evaluating Datalight's ROM-DOS and WinLight software on the evaluation board. Please refer to the documentation on the diskette for further information about these files.

AMD Utilities Diskette

This diskette contains several utilities developed specifically for the evaluation board to assist the user in their evaluation and design with the ÉlanSC310 microcontroller. Some of these utilities may work on other ÉlanSC310 microcontroller-based platforms, but their functionality outside of the evaluation board cannot be guaranteed and therefore is not supported. The following utilities are included on the AMD Utilities diskette:

ELANINIT.ZIP	Initialization example for the ÉlanSC310.
ELANPMU.ZIP	Utility for demonstrating the ÉlanSC310 power-management features.
EVALSET.ZIP	Utility to configure the two serial ports on the evaluation board. Source code is provided.
FLASH.ZIP	Utility for Flashing AMD's 12-V 28F010, 5-V 29F010, 12-V 28F020, or 12-V 28F020A Flash parts on the evaluation board. Source code is provided.
MMSINFO.ZIP	Utility for displaying MMS window configuration information. Source code is provided.
MMSVIEW.ZIP	Utility for viewing data through the MMSA pages.
REGDUMP.EXE	Utility for displaying the ÉlanSC310 registers.
SDB.ZIP	Simple, debug utility for command-line accesses to ÉlanSC310 registers.

ELANINIT.ZIP

This zipfile contains assembly language routines that give an example of how to initialize the ÉlanSC310 microcontroller registers, enable DRAM, handle SMI events, and report status through the serial port. The unzipped files compile to form a binary image that can be programmed into a ROM and placed in the BIOS ROM socket. Refer to the **README** and ***.TXT** files in this zipfile for more information.

ELANPMU.ZIP

This zipfile contains **ELANPMU.EXE**, which can be used to place the ÉlanSC310 microcontroller into various PMU modes. It allows the user to modify certain settings for each PMU mode. The user can then measure current consumption of the ÉlanSC310 microcontroller cores and see how the current changes, depending on the current settings and PMU mode. Refer to “Élan PMU Evaluation Utility” on page 3-4 for more information.

EVALSET.ZIP

This zipfile contains **EVALSET.EXE**, which has been provided to allow easy activation of the serial and parallel ports on the ÉlanSC310 microcontroller evaluation board. The BIOS on this board was designed to be generic, therefore these functions are not enabled by the BIOS on the evaluation board. This utility can be used to set up the base addresses for serial port 1, serial port 2 and parallel port 1 on the evaluation board. For complete operating instructions on **EVALSET.EXE**, refer to “EvalSet Serial and Parallel Port Setup Utility” on page 3-10.

FLASH.ZIP

This zipfile contains **FLASH.EXE**, which can be used to program 28F010, 29F010, 28F020, and 28F020A Flash parts on the ÉlanSC310 microcontroller evaluation board. Source code is provided for this utility to be able to modify it for other platforms and other AMD Flash devices. Refer to the **README** and ***.TXT** files in this zipfile for more information.

MMSINFO.ZIP

This zipfile contains **MMSINFO.EXE**, a utility for displaying the current status of the MMSA and MMSB windows. If an MMS window is enabled, then information for each page within the window is displayed. If an MMS window is disabled, then the information on each page within the window is not displayed. Source code for this utility is also provided. The source code contains routines that show how to manipulate the ÉlanSC310 microcontroller’s MMS window registers. Refer to the **README** and ***.TXT** files in this zipfile for more information.

MMSVIEW.ZIP

This zipfile contains **MMSVIEW.EXE**, which is a DOS application that may be used to inspect various resources that are accessible by the ÉlanSC310 microcontroller MMS subsystem. These resources include SYSTEM RAM, the BIOS ROM (or resources accessed by the ROMCS signal), or the DOS ROM (or resources accessed by the DOSCS signal). For complete operating instructions on **MMSVIEW.EXE**, refer to “Memory Management System (MMS) Viewer Utility” on page 3-12.

REGDUMP.EXE

This register dump utility has been provided for use on the ÉlanSC310 microcontroller evaluation board. It is intended to provide a user with an easy-to-use register manipulation program. This program displays the index register in the ÉlanSC310 microcontroller, grouped by functionality. For complete operating instructions on **REGDUMP.EXE**, refer to “Register Dump Utility” on page 3-19.

SDB.ZIP

This zipfile contains **SDB.EXE**, a simple debug utility useful when working with the ÉlanSC310 microcontroller. It allows the user to easily access the ÉlanSC310 microcontroller’s index registers, and I/O ports from the command line. This way the user can place several SDB command lines in a batch file and just execute the batch file. Source code is provided. Refer to the **README** and ***.TXT** files in this zipfile for more information.

10

Elan PMU Evaluation Utility

The Elan PMU Evaluation Utility is a DOS utility designed to demonstrate the power management capabilities of the ÉlanSC310 microcontroller. This utility only runs on Rev. 2.2 or later of the ÉlanSC310 microcontroller evaluation board (the revision number is silkscreened on the board next to the AMD logo and name). By using a current meter attached to the ÉlanSC310 microcontroller’s various voltage plains, the user can see how different PMU setups affect power consumption. It is recommended that the user read through the *ÉlanSC310 Microcontroller Programmer’s Reference Manual* to gain an understanding of the ÉlanSC310 microcontroller’s power management functions.

To bring up the main menu, type the following at the DOS prompt:

```
elanpmu
```

The following main menu appears:

```
ELAN PMU Evaluation Utility
Version 1.0
```

```
A: Setup PMU Mode Characteristics (PMCx Pins, CPU Speed)
B: Force PMU State Transitions
C: Test Battery Level & ACIN Pins
```

```
X: Restore PMU State and Exit to DOS
Z: Leave current PMU values and Exit to DOS
```

```
Enter Selection =>/
```

The spinning cursor "/" is used to emulate typical CPU activity. This activity gives a lower current reading for core ÉlanSC310 microcontroller current than if the processor was sitting idle waiting for keyboard input. This is because cycles to the ISA devices (which occur as a result of this activity) are run at 9.2 Mhz. CPU idle cycles occur at the High Speed PLL mode frequency (33/25/20/9.2 Mhz).

A: Setup PMU Mode Characteristics (PMCx Pins, CPU Speed)

This menu selection brings up a matrix of options that can be set for each PMU mode. The value of the highlighted matrix item can be changed by pressing the "+" or "-" keys on the keyboard. The arrow keys control which item is highlighted. Matrix items with a "*" after them are fixed in the ÉlanSC310 microcontroller and cannot be highlighted or changed. Matrix items with a "#" after them are fixed at the current state due to a requirement of the evaluation board. These items cannot be highlighted or changed.

Changes made to this screen do not take effect until either the "S" key is pressed (Program Elan), or the "X" key is pressed (Program Elan & Return to Main Menu). To exit this screen without programming the ÉlanSC310 microcontroller with any changes, press the "Q" key. To restore the values to those currently programmed in the ÉlanSC310 microcontroller, press the "L" key.

While in this screen, the CPU is running in High Speed PLL mode. When any changes to the High Speed PLL mode column are saved, the results are immediately noticeable (e.g., the effect CPU Speed has on core current). Changes to other columns on the screen are not noticeable until those PMU modes are entered.

The state of the PMC pins can be set for each PMU mode. While the particular state the PMC pin is in does not significantly affect the ÉlanSC310 microcontroller's power consumption, this matrix allows the user to see what control the user has for external control of the PMC pins for each PMU mode. Note that the PMC pin setting for the Low and High Speed PLL modes mirror each other. Changing the value in one column causes the value in the other column to change also.

High Speed PLL Mode Column

- The CPU speed can be set to 33 Mhz, 25 Mhz, 20 Mhz, or 9.2 Mhz.
- Both the High Speed and Low Speed PLLs for this mode are enabled.
- The state of the PMC pins for this mode mirror the settings in Low Speed PLL mode. Changing the state in this mode also changes the state for Low Speed PLL mode.
- Auto Low Speed mode, when enabled, switches the CPU clock speed to operate at 9.2 Mhz for the duration of time listed in ALS Duration matrix item (0.25, 0.50, 1.0, 2.0 seconds). This switch is triggered at a rate determined by the ALS Trigger matrix item, which can be set to 4, 8, 16, or 32 seconds. The ALS trigger period and ALS Duration time are stored in write-only registers. Therefore it is not possible to read the current ÉlanSC310 programmed value when this utility is started. The default values of 4 seconds for the ALS Trigger and 0.25 seconds for the ALS Duration are programmed at start-up time.
- The CPU Idle Speed can be set to "HIGH" or "LOW." "HIGH" means that during idle cycles the CPU runs at the current High Speed CPU speed (33, 25, 20, or 9.2 Mhz); "LOW" means 9.2 Mhz. The CPU Idle Speed can only be set "LOW" if the High Speed CPU is set to 20 Mhz or 9.2 Mhz. If the High Speed CPU speed is set to 33 Mhz or 25 Mhz and the CPU Idle Speed is then set to "LOW", the CPU speed changes to 20 Mhz. Similarly, if the CPU Idle Speed is set to "LOW" and the High Speed CPU speed is changed to 33 Mhz or 25 Mhz, the CPU Idle speed is changed to "HIGH."

Low Speed PLL Mode Column

- The CPU speed can be set to 4.61 Mhz, 2.30 Mhz, 1.15 Mhz, or 0.58 Mhz.
- The High Speed PLL can be enabled or disabled in this mode.
- The Low Speed PLL is always enabled for this mode.
- The state of the PMC pins for this mode mirror the setting in High Speed PLL mode. Changing the state in this mode also changes the state for High Speed PLL mode.

Doze Mode Column

- The CPU for this mode can be turned "OFF," or it can be enabled to run at 9.2 Mhz in response to IRQ0 being generated. "IRQ0-9.2Mhz" appears as the matrix item. For this mode, the CPU only runs at 9.2 Mhz during the time IRQ0 is being processed. Setting this matrix item to "IRQ0+64 R" enables the CPU to run at 9.2 Mhz while processing IRQ0 and the CPU remains running for 64 refresh cycles after IRQ0 processing is completed.
- The High Speed PLL is always disabled for this mode.
- The Low Speed PLL and Video PLL (controlled by the same bit) can be enabled or disabled for this mode.

Sleep Mode Column

- The CPU is always off in this mode.
- The High Speed PLL is always off in this mode.
- The Low Speed PLL and Video PLL (controlled by the same bit) can be enabled or disabled for this mode.

Suspend & Off Mode Column

- The CPU is always off in these modes.
- The High Speed PLL is always off in these modes.
- The Low Speed PLL and Video PLL (controlled by the same bit) can be enabled or disabled for these modes.

B: Force PMU State Transitions

ELAN PMU Evaluation Utility Force PMU Modes

A: Force PMU to Low Speed PLL Mode xxxMhz
B: Force PMU to Doze Mode
C: Force PMU to Sleep Mode
D: Force PMU to Suspend Mode

X: Return to Main Menu

Enter Selection=>/

Below this menu, the current PMU mode that the ÉlanSC310 microcontroller is in is displayed along with any options set using option A from the main menu. For modes where the CPU clock is running, the spinning activity cursor "/" helps show the speed of the CPU.

A: Force PMU to Low Speed PLL Mode xxxMhz

- The CPU Clock slows to the speed shown.
- If set up to do so, the High Speed PLL is shut off.
- Pressing any key or toggling the ACIN pin brings the system back to High Speed PLL mode.

B: Force PMU to Doze Mode

- If the CPU clock speed is off, no spinning activity cursor is displayed.
- If the CPU clock is enabled for IRQ0 processing only, then the spinning activity cursor transitions about once every 10 seconds.
- If the CPU clock is enabled for IRQ0+64 Refresh cycles, then the spinning activity cursor spins.
- Pressing any key or toggling the ACIN pin brings the system back to High Speed PLL mode.

C: Force PMU to Sleep Mode

- The keyboard is disabled in this mode. Pressing the Suspend/Resume key or toggling the ACIN pin returns the system to High Speed PLL mode.

D: Force PMU to Suspend Mode

- The keyboard is disabled in this mode. Pressing the Suspend/Resume key or toggling the ACIN pin returns the system to High Speed PLL mode.

C: Test Battery Level & ACIN Pins

This menu item shows how the battery level and ACIN pins are tied to the PMU. Pin $\overline{BL1}$ can be used to force the CPU to run at 9.2 Mhz. Pin $\overline{BL2}$ can be used to transition the PMU into Sleep mode. Pin $\overline{BL4}$ can be used to transition the PMU into Suspend mode. Each of the above transitions can be enabled or disabled by selecting item "A: Change BL Transition Masks", highlighting the appropriate field, and using the "+" and "-" keys to enable or disable the transitions. There is also an option to enable/disable a transition message. If enabled, a Transition message is displayed as the ÉlanSC310 microcontroller transitions from Low Speed to Doze mode, prompting the user to press a key before the system transitions to Sleep or Suspend mode.

The box on the top right of the screen displays the current state of the BL and ACIN pins. Status for the $\overline{BL4}$ pin is not directly readable by the ÉlanSC310. On the ÉlanSC310 microcontroller evaluation board, the state of the BL pins and ACIN pins are controlled by the Red 8 bank DIP switch SW4. Switches 4–7= $\overline{BL1}$ – $\overline{BL4}$; Switch 8=ACIN.

ACIN must be set to 0 in order for any of the BL pins to cause a PMU state change. Once a BL pin is used to cause a PMU state change, setting ACIN to 1 (active) wakes up the system and returns the PMU to High Speed PLL mode.

X: Restore PMU State and Exit to DOS

This option restores the ÉlanSC310 microcontroller's index registers to the value they were set to when the program was entered, and returns the user to the DOS prompt.

Z: Leave Current PMU Values and Exit to DOS

This option leaves the ÉlanSC310 microcontroller's index registers set at their current value, and returns the user to the DOS prompt.

EvalSet Serial and Parallel Port Setup Utility

EVALSET.EXE has been provided to allow easy activation of the serial and parallel ports on the ÉlanSC310 microcontroller evaluation board. The BIOS on this board was designed to be generic, therefore these functions are not enabled by the BIOS on the evaluation board. This utility can be used to set up the base addresses for serial port 1, serial port 2 and parallel port 1 on the evaluation board.

Serial Port 1

Serial Port 1 is the 16C450 UART internal to the ÉlanSC310 microcontroller. Its base address can be set to either 3f8h or 2f8h. The IRQ level can be set to either 3 or 4. If you enter a base address of 0, the internal UART is disabled. If you enter a valid base address but an IRQ of 0, then the UART is enabled but it is not attached to an interrupt line.

Examples

```
evalset ser1 0x3f8 4   Sets the internal UART to be COM1:
evalset ser1 0x2f8 3   Sets the internal UART to be COM2:
evalset ser1 0 0       Disables the internal UART
```

NOTE: Once the base address is set, the UART is programmed to 9600 baud, no parity, 8 data, 1 stop.

Serial Port 2

Serial Port 2 is connected to the 16C550 UART1 of the Super I/O chip (UART2 is not connected). Its base address can be set according to the table below. Note that if you want serial port 2 to generate an interrupt, only IRQ3 can be used. This is because IRQ4 from the Super I/O is not connected. However, the base addresses that are associated with an IRQ4 configuration can still be set as long as the port is used in polled mode.

IRQ	Base addresses
3	2f8, 2e8, 238, 2e0, 228
4 (polled only)	3f8, 3e8, 338, 2e8, 220

Examples

```
evalset ser2 0x2f8 3    Sets the Super I/O UART to be COM2:  
evalset ser2 0 0      Disables the Super I/O UART
```

NOTE: Once the base address is set, the UART is programmed to 9600 baud, no parity, 8 data, 1 stop.

Parallel Port 1

This is the internal parallel port on the ÉlanSC310 microcontroller. The parallel port base address is controlled through the Bus Configuration Registers (see the *ÉlanSC310 Microcontroller Programmer's Reference Manual*). These bus configuration registers can only be programmed before ISA or Local Bus accesses are made, so setting the parallel port base address or disabling the parallel port can only be done at boot time. Thus, the EvalSet utility merely allows control of the EPP and bidirectional modes on the parallel port. Any base address that is specified is ignored by the EvalSet utility.

Examples

```
evalset par1 0x3b8 epp_on bi_on    Turns on EPP and  
                                   Bidirectional modes.  
evalset par1 0x3b8 epp_off bi_off  Turns off EPP and  
                                   Bidirectional modes.
```

Usage

EVALSET.EXE can be called from the DOS prompt, **autoexec.bat** file, or **config.sys** file with the proper parameters.

config.sys Example

```
install=evalset.exe ser1 0x3f8 4  
install=evalset.exe ser2 0x2f8 3  
install=evalset.exe par1 0x3b8 epp_off bi_on
```

Memory Management System (MMS) Viewer Utility

This utility is part of the collateral for the ÉlanSC310 microcontroller. The ÉlanSC310 microcontroller is a highly integrated device with many subsystems. Many of these subsystems are unique to the ÉlanSC310. The purpose of the **MMSVIEW** utility is to provide the new ÉlanSC310 microcontroller user with the ability to explore the capabilities of the ÉlanSC310 MMS subsystem without having to invest much in the way of software development or chip register learning time.

Description

MMSVIEW is a DOS application that may be used to inspect various resources that are accessible by the ÉlanSC310 MMS subsystem. These resources include SYSTEM RAM, the BIOS ROM (or resources accessed by the **ROMCS** signal), or the DOS ROM (or resources accessed by the **DOSCS** signal). With this utility, the following operations may be performed:

- Directly display any region of the system RAM (0–16 Mbyte range), BIOS ROM (0–16 Mbyte range), and DOS ROM (0–16 Mbyte range).
- Step forward or backward through the data in 256-byte steps or 16-Kbyte steps.
- Select any ÉlanSC310 MMS page from MMSA to view system resources through.
- Fill areas of system RAM memory with a selected byte.
- Append the currently displayed page of data to a log file in either ASCII or binary formats.
- View DOS ROM using an 8- or 16-bit interface.
- Perform continuous read/compare operations from a selected resource, and indicate mismatches on the display.

1.0

Scope

MMSVIEW is provided to enable discovery and understanding of the capabilities of the ÉlanSC310 microcontroller MMS system. It has other uses such as looking at DOS ROM disks to ensure that the odd/even parts are placed in the sockets correctly. It is not designed to be a comprehensive or automated diagnostic program, although its use may help in the debug of certain problems.

MMSVIEW uses MMSA only. To retain compatibility with systems using VGA video, MMSB was left outside the scope of this tool. It was designed on, tested on, and meant for use on the ÉlanSC310 microcontroller evaluation board revision 2.2 or later. The fact that it may run on other customer platforms is purely coincidental.

NOTE: No support of any kind is provided for porting this utility to any platform other than the ÉlanSC310 microcontroller evaluation board revision 2.2 or later except by special agreement between AMD and the customer.

Operating Instructions

Command-Line Parameters

MMSVIEW assumes that MMS page 4 (resides at D0000h when MMS page 0 is set up to reside at C0000h) is available for use. This default may be overridden using a command-line parameter as shown below.

Syntax: **MMSVIEW** [*page*]

where:

page is a number from 0–7 to indicate the initial MMS page to view the system resources through.

If an invalid command-line parameter is detected (not a number, out of range, etc.) the default MMS page (4) is used. This option is provided to allow resolution of system address space conflicts that may occur when using this program while some other driver is loaded (EMM386, etc.).

There are no other command-line parameters available.

Initial State

After **MMSVIEW** has been invoked from the DOS command line, data is displayed in a fashion similar to DOS debug. MMSA page 4 at D0000h is selected, and the device that is accessed is system RAM. The first 256 bytes of the selected device are displayed starting at offset 0 (i.e., the start of the interrupt vector table at 0:0 in RAM.)

Keystroke Commands

Keystroke commands are invoked by simply pressing the keys noted below. Whenever a keystroke command requires user input, prompts request the required data. If a command that requires user input is to be aborted without invoking the command, press the Escape key, and the main data display returns. A command summary follows.

?

Pressing the question-mark key from the main data-display screen displays a quick help list of the keystroke commands available to the utility. Press the Space Bar from the quick help screen to return to the normal main display screen.

+

The plus key moves forward through the data 256 bytes at a time. The plus key thus makes it simple to view the next 100h bytes of data on the selected device.

-

The minus key performs the inverse operation of the plus key, and causes the previous 256 bytes of device data to be displayed. The program disallows negative addresses, and gives a warning click from the speaker if you press the minus key when the first address displayed on the screen is 0.

Home Key

The Home key displays the data at offset 0 on the current device.

Escape

The Escape key causes the utility to return control to the DOS prompt. *Note that no cleanup is done as the program exits, so it is recommended that the user COLD BOOT before performing any other important operations, especially if ROMDOS or EMM386 drivers were loaded on the system when MMSVIEW was invoked.*

Page Up

The Page Up key displays data on the *previous* 16-Kbyte boundary. For example, if the current device data starting at offset 4100h is being displayed, and Page Up is pressed, the data from device offset 0100h is displayed.

Page Down

The Page Down key does the inverse of the Page Up key; it displays data from the *next* 16-Kbyte boundary.

Space Bar

The Space Bar (or any key besides the other command keys listed in this section) simply rereads the data from the selected resource, and refreshes the main data display screen. The main data screen does not constantly update normally. Press the Space Bar (or any other non-command key as specified in this list) to refresh the screen with the new data. For a continuous read mode, see the **c** command below.

a

This key is only useful on boards with PCMCIA.

c

The **c** key is useful for detecting changes in reading the data from a given resource. An example application for this feature is in the detection of timing problems (incorrect wait-state setup, etc.). When you press the **c** key, a “snapshot” of the current device data is taken, and stored into a local buffer. After this, continuous reads of the current device data are compared to the buffer. Mismatches cause the offending byte location to Flash, and the result of an Exclusive OR between the buffer (snapshot) and the current device data is displayed. This allows bit errors to be picked out easily.

Upon leaving Continuous Read/Compare mode, the blink attribute is removed from the characters for easier reading of the resulting data. The bytes which have the bit mismatches are left highlighted in white (versus light gray for the normal data). Any new command which causes the data to be read from the device again removes the highlight attribute from the displayed data completely. If the highlight attribute needs to be removed without losing the bit error data which may have been captured, the **r** command may be used (see below).

d

The **d** key selects which device the current MMS page points to. Pressing the **d** key causes the system to prompt for the new device. Enter a 0, 1, or 3 (0 = DOS ROM, 1 = system RAM, 3 = BIOS ROM), and press enter. Invalid input is not accepted. Once a new device has been entered, the main data display returns showing the data read from the selected device *at the current offset*. For example, if you are looking at the DOS ROM at offset 4000h, and you use the **d** command to select the BIOS ROM, the data displayed is from offset 4000h of the BIOS ROM.

f

The **f** command allows a range of memory to be filled with a user-selectable byte. Pressing the **f** command brings up prompts for the start and stop fill addresses, and requests the fill byte. Fill operations are available only when RAM is the selected device. This command does not know how to write to Flash devices in a DOS ROM socket.

g

The **g** command allows you to “go” to any place in the memory map desired. It is the random access equivalent to the plus and minus keys. It provides one additional benefit in that the data byte which resides at the address specified by the user to go to is highlighted for easy recognition.

i

The **i** key allows the DOS ROM interface to be toggled between the 8- and 16-bit interfaces supported on the ÉlanSC310 microcontroller. This is useful if running the utility on a hardware platform that has an 8-bit DOS ROM interface as opposed to the 16-bit DOS ROM interface on the ÉlanSC310 Microcontroller Evaluation Board.

l

The **l** command allows one screen’s worth of data to be appended to a log. Successive screens can be captured to the same file in this manner. Pressing the **l** command prompts the user as to whether the output file should be a binary image of the data, or whether a DOS debug-like ASCII representation should be saved. If the binary option is chosen, data is logged to a file named **MMSVIEW.BIN**. If the ASCII option is selected, the output file is **MMSVIEW.ASC**.

n

The **n** command allows the user to select the use of a new MMS page (0–7). This can be useful in avoiding system conflicts. The default page can be changed before entering the program using the command-line capability to set this option as described on page 3-13.

p

The **p** command is essentially a **g** command that accepts its input in terms of 16K pages. In other words, you can randomly access data on specific 16-Kbyte boundaries using this command. For example, if you want to view the start of the first 16-Kbyte boundary of a device, select the **p** command, and input 0 when prompted to specify page 0. This can be done just as easily using the **g** command and supplying an address that's a multiple of 4000h.

r

The **r** command resets the miscompare indicators as explained earlier in the section that explains the **c** command. See the **c** command on page 3-15 for more detail.

s

This key is only useful on boards with PCMCIA.

Restrictions on Use

Although designed for the ÉlanSC310 microcontroller evaluation board, this utility may work on other vendor's platforms. (However, its functionality outside of the ÉlanSC310 microcontroller evaluation board cannot be guaranteed and therefore is not supported.) There are two key elements for compatibility:

1. **MMSVIEW** assumes that MMSA is programmed to begin page 0 at C0000h. The starting location of MMSA is not reset by the utility in an attempt to maintain software compatibility with customer platforms as this would probably cause the customer's platform to crash. Use this utility on a customer platform only if customer-platform initialization programs MMSA page 0 to start at C0000h.

2. The second element of compatibility is the use of the MMS windows on the customer platform. **MMSVIEW** assumes that MMS page 4 (resides at D0000h when MMS page 0 is set up to reside at C0000h) is available for use. This may conflict with drivers loaded on the evaluation board platform that require the use of MMS (ROMDOS, EMM386, etc.). It may also conflict with customer resources located on customer platforms. See “Operating Instructions” on page 3-13 for details on how to change MMS windows.

It is recommended that the test platform/evaluation system be “cold” booted (using reset button) after **MMSVIEW** exits so that the ÉlanSC310 microcontroller setup registers are restored to the proper values before doing further work on the platform. This is required not only on customer platforms, but on any ÉlanSC310 microcontroller evaluation board that has any ROMDOS, EMM386, or other drivers installed that require use of the MMS, or memory regions that are controlled by the MMS. Again, **MMSVIEW** makes no attempt to restore the system to its initial state: *reset the system when finished*.

Use caution when selecting the MMS page to use. Selecting a page that causes conflicts with other system resources can lock the system. For example, using a VGA card in the ISA slot of the evaluation board, and selecting pages 0 or 1 of MMSA causes system conflicts since VGA BIOS decodes at C0000h for 32 Kbyte, and MMSA pages 0 and 1 also use that address space.

Register Dump Utility

This register dump utility has been provided for use on the ÉlanSC310 microcontroller evaluation board. It is intended to provide an easy-to-use register-manipulation program. This program displays the index registers in the ÉlanSC310 microcontroller, grouped by functionality:

- ÉlanSC310 PMU Registers Screen 1
- ÉlanSC310 PMU Registers Screen 2
- ÉlanSC310 MMU/ISA Registers

These registers can be read or written by simply entering a new value and pressing Return. Some registers do not allow full read/write access. Read-only registers display the contents of the register but do not allow the user to write a new value. Write-only registers allow a user to write a new value to the register. When a value is read from the register, it displays meaningless values. The following is a list of commands available in **REGDUMP.EXE**:

Arrow Keys Move the cursor from register to register within the screen.

- | | |
|---|---|
| s | Toggles between the register screens. |
| v | Allows user to enter a new value for the selected register. |
| b | Switches the display to a bit-by-bit definition of the selected register. |
| m | Switches the display to an options menu screen. |
| p | Dumps all four register screens to an ASCII text file called REGDUMP.LOG . |
| q | Exits from REGDUMP.EXE . |

The register value display is read from the registers each time the screen is toggled. Since the display is not updated with each write, it is possible that a register could appear to be written to, but if it is a read-only register it remains unchanged. Please refer to the *ÉlanSC310 Microcontroller Programmer's Reference Manual* to determine if the register being manipulated has any read/write restrictions.

NOTE: This regdump utility is used for both the ÉlanSC300 and ÉlanSC310 microcontrollers. However, some registers or some bits within registers are used only on the ÉlanSC300. These registers or bits are marked with an "ÉlanSC300 only" indicator on the regdump screens.

Chapter 4



Developing Code

This document is meant to aid the programmer who is developing BIOS code, Power Management code, etc. using the ÉlanSC310 microcontroller evaluation board. This evaluation board was designed to support a number of different system configurations (e.g., Full ISA Bus mode, Application ROM support, IDE drives, Floppy drive, etc.). This document explains how to configure the ÉlanSC310 microcontroller on the evaluation board in order to support these configurations.

See the following sections for more information:

- “Programmable General Purpose (PGP) Pins” on page 4-2
- “Power Management Control (PMC) Pins” on page 4-3
- “Programming BIOS Flash/EEPROM or Application Flash/EEPROM” on page 4-5
- “Evaluation Board’s Memory Map” on page 4-7
- “Evaluation Board’s I/O Map” on page 4-10
- “Evaluation Board’s IRQ Mapping” on page 4-11
- “Evaluation Board’s DMA Mapping” on page 4-13
- “Evaluation Board’s Components” on page 4-14
- “Enabling the ÉlanSC310 Internal Serial Port” on page 4-15

For more information on the ÉlanSC310 microcontroller, see the *ÉlanSC310 Microcontroller Data Sheet* and the *ÉlanSC310 Microcontroller Programmer’s Reference Manual*.

Programmable General Purpose (PGP) Pins

The ÉlanSC310 microcontroller has four Programmable General Purpose (PGP) pins which can be set up as inputs, outputs, address decodes, and address decodes that are gated with the I/O read or I/O write pulse. Index registers for the PGP pins are write only. Keep this in mind when writing to Index 91h, which controls all PGP pins.

Remember, this particular implementation of the PGP pins is specific to the ÉlanSC310 microcontroller evaluation board *only*. Other system designs may implement these pins differently.

The ÉlanSC310 microcontroller evaluation board makes use of the PGP pins as follows.

PGP0

This pin is used to clock data from the data bus into a flip-flop that is used to control the programming voltage to the ROM sockets. PGP0 must be set up to gate with the I/O Write Command. This is done by setting the ÉlanSC310 Index 91h to xxxxxx10b. Index 89h is used to set up the I/O address for PGP0. Setting Index 89h to a 20h programs PGP0 to respond to writes to I/O addresses 100h–107h. PGP0 must also be enabled as an output. This is done by writing bit 6 of the ÉlanSC310 Index 70h to a 1. By programming this pin as just described, the ÉlanSC310 microcontroller is now able to write to the 1 bit register at I/O port 100h. When set up as described, the write-only register at I/O address 100 is as shown in the table below.

NOTE: This pin is referenced as PGPA on the evaluation board schematics beginning in “Schematics” on page D-1.

Table 4-1. I/O Address 100–107

Bit	Description
7–3	Reserved
2	1 = V_{pp} line to ROM sockets set to 12 V 0 = V_{pp} line to ROM sockets set to 5 V
1	Not used
0	Not used

PGP1

This pin is used as an address decode for the IDE $\overline{CS0}$. It should be programmed as an address decode for I/O addresses 1F0H–1F7H. Setting the ÉlanSC310 microcontroller's Index 91h to xxxx11xxb programs PGP1 as an address decode. Setting ÉlanSC310 Index 9Ch to 3Eh sets the address range to 1F0h–1F7h. PGP1 must also be enabled as an output for the evaluation board. This is done by setting Bit 2 of the ÉlanSC310 Index 74h.

NOTE: This pin is referenced as PGPB on the evaluation board schematics beginning in “Schematics” on page D-1.

PGP2

This pin is used as an address decode for the IDE $\overline{CS1}$. It should be programmed as an address decode for I/O addresses 3F0h–3F7h. Setting the ÉlanSC310 Index 91h to xx11xxxxb programs PGP2 as an address decode. Setting the ÉlanSC310 Index 94h to 7Eh sets the address range to 3F0h–3F7h.

NOTE: This pin is referenced as PGPC on the evaluation board schematics beginning in “Schematics” on page D-1.

PGP3

This pin has no specific function on the ÉlanSC310 microcontroller evaluation board.

NOTE: This pin is referenced as PGPD on the evaluation board schematics beginning in “Schematics” on page D-1.

Power Management Control (PMC) Pins

The ÉlanSC310 microcontroller has five Power Management Control (PMC) pins that can be programmed high or low based on the current power management mode. The ÉlanSC310 microcontroller evaluation board makes use of the PMC pins as follows.

PMC0

This pin is logically ORed with the system Reset pin from the ÉlanSC310 microcontroller (RSTDRV) and fed to the reset pin of the 8042 keyboard controller. It is used to perform a software reset to the 8042. A value of 1 drives the reset pin of the 8042 active. A value of 0 allows for normal operation. The ÉlanSC310 microcontroller Index ACh bits 3:0 control PMC0 and are set to 0 on power-up.

If you are not using PMU states that turn off the Low Speed PLL (i.e., Doze, Sleep or Suspend modes) then you do not need to change the settings for this pin. Refer to “8042 Keyboard Controller” on page 4-14 for a further explanation of when you need to do a software reset.

PMC1

This pin is not used on this board.

PMC2

This pin is used to select whether the internal ÉlanSC310 microcontroller (serial port 1) and the Super I/O (serial port 2) are enabled for RS232 serial data (PMC2=1), or whether the IR Transmitter/Receiver pair is used to send and receive serial data on serial port 1, and serial port 2 transmission is disabled (PMC2=0). The ÉlanSC310 Indexes 80h and 81h control the state of PMC2.

10

PMC3

This pin is not used on this board.

PMC4

This pin is used to mask the system reset pin from the 8042 keyboard controller that is fed to the Reset CPU pin (RC) of the ÉlanSC310 microcontroller. A value of 1 holds the CPU's RC input High, and prevents the 8042 keyboard controller's reset output from reaching the CPU. A value of 0 allows for normal operation. The ÉlanSC310 Index ACh bits 3:0 control this pin and are set to 0 on power-up. If you are not using PMU states Doze, Sleep, Suspend or Off, then you do not need to change the settings for this pin.

Programming BIOS Flash/EPROM or Application Flash/EPROM

This section describes how to program a Flash or EPROM device located in the BIOS sockets (U20 or U59), and the application sockets (U16, U17, U18, U19). The following items need to be addressed:

- Controlling the programming voltage for 12-V parts such as the AMD 28F020A
- Enabling writes to the BIOS and application ROM sockets
- Address mapping of the Flash sockets
- Evaluation board jumper settings

Controlling V_{PP}

There is one control for the V_{PP} line for *all* BIOS and application ROM sockets (i.e., there is no way to individually control the V_{PP} line for each socket). As described in the section “Programmable General Purpose (PGP) Pins” on page 4-2, PGP0 is used to clock the flip flop that controls the programming voltage to the ROM sockets. When Data Bit 2 is set to 1, V_{PP} is set to 12 V for all ROM sockets. See “Initialization Example for Flash Programming” on page 4-7.

Enabling Writes to the BIOS and Application ROM Sockets

Writes to the BIOS sockets and application sockets need to be specifically enabled (they are disabled by default). This is accomplished by setting to a 1 bits 6 and 5 of the ÉlanSC310 Index 62h.

NOTE: Accesses to the BIOS socket or application socket are ISA cycles plus the additional \overline{ROMCS} or \overline{DOSCS} signal going active. No special logic has been added to the evaluation board to stop a \overline{ROMCS} or \overline{DOSCS} cycle from going to the ISA bus. Because of this, if the ÉlanSC310 microcontroller is in Full ISA mode, an ISA card (such as a VGA card) set up to respond to a memory range interferes with cycles going to the application or BIOS sockets. For example, a VGA card with on-board BIOS responds to the address range from A0000h through C7FFFh. An access to the application ROM socket through the MMS page to an offset in this range causes both the VGA card and the application ROM to respond. The only way to avoid this is by either not accessing this range, or reworking the evaluation board.

Address Mapping of the Flash/EPROM Sockets

The BIOS sockets have an 8-bit interface. Only one socket (U20) or (U59) can be enabled depending on the setting of jumper JP32. Address lines A0–A17, 256K addressing, are connected to the socket. The BIOS ROM can be accessed for programming by either using an MMS page, or setting up a linear decode region (see the *ÉlanSC310 Microcontroller Programmer's Reference Manual*).

Typically, an MMS page is used.

The application sockets have a 16-bit interface. If BIOS does not already enable the 16-bit interface, this needs to be done after boot-up by setting to a 1 bit 1 of the ÉlanSC310 Index 51h. Even addresses access sockets U16 and U18. Odd addresses access sockets U17 and U19. Support for both 256Kx8 Flash or EPROM, and 512Kx8 EPROM parts exists. Jumper JP13 controls which is selected.

NOTE: 512Kx8 Flash can be supported after a minor board rework. Contact your local AMD or distributor Field Application Engineer for more information.

When set for 256Kx8 parts: even addresses from 0–7FFFEh access socket U16; odd addresses from 1–7FFFFh access socket U17; even addresses from 80000h–FFFFEh access socket U18; and odd addresses from 80001h–FFFFFh access socket U19.

When set for 512Kx8 parts: even addresses from 0–FFFFEh access socket U16; odd addresses from 1–FFFFFh access socket U17; even addresses from 100000h–1FFFFEh access socket U18; and odd addresses from 100001h–1FFFFFh access socket U19. The application address space is accessed by using an MMS page or by enabling the linear decode for the application ROM. Using an MMS page is recommended because it can be accessed using real mode addressing.

Evaluation Board Jumper Settings

There are three jumpers which affect Flash programming on the ÉlanSC310 microcontroller evaluation board.

- JP32: This jumper controls whether BIOS socket U20 (JP32=2-3) or socket U59 (JP32=1-2) is used.
- JP12: This jumper must be set to 1-2 when Flash parts are used (JP12=2-3 indicates EPROM parts).

JP13: This jumper must be set to 1-2 to indicate 256Kx8 parts are in the application sockets. (JP13=2-3 indicates 512Kx8 parts, and 512Kx8 Flash is only supported after a minor board rework. Contact your local AMD or distributor Field Application Engineer for details.)

Initialization Example for Flash Programming

1. Set up PGP0 for I/O address 100h:

```
Elan Index 91H = 3Eh ;sets up PGP0 to be gated with
                    I/O write, keep settings for PGP1 and 2
Elan Index 89H = 20h ;set up PGP0 to respond to addresses
                    100-107.
Elan Index 70H = 40h; ;set up PGP0 as an output. Do a read,
                    modify, write, setting bit 6.
```

2. Enable writes to BIOS and application ROM:

```
Elan Index 62H = 70 ;set bits 6,5 = 1. Note: bit 4 = 1
                    assuming 33Mhz operation.
```

3. Enable 16-bit interface to application ROM:

```
Elan Index 51H = 02h ;bit 1 =1, indicates 16-bit
                    application ROM size.
```

10

Evaluation Board's Memory Map

Because the ÉlanSC310 microcontroller and the evaluation board are so configurable, there is not one single memory map that covers all cases. What is illustrated here is a typical memory map for the evaluation board configured in Full ISA mode with a Trident VGA ISA card, ROM-DOS kernel, and 2 Mbyte DRAM.

Table 4-2. Typical Full ISA Memory Map

386 Physical Address	Memory Type Accessed	Special Notes
1FFFFFFh–100000h	DRAM.	
FFFFFFh–E0000h	BIOS ROM (ROMCS). 64K BIOS image + ROM-DOS kernel.	ROMCS is set up for linear decode. May be shadowed to DRAM.
DFFFFFFh–D0000h	Unused.	
CFFFFFFh–CC000h	Application ROM (DOSCS). Used by ROM-DOS.	MMSA page 3.
CBFFFFFFh – C8000h	DRAM at offset C8000h–CBFFFFFFh. Used for SMM save state area.	MMSA page 2.
C7FFFFFFh–C0000h	ISA bus. VGA card 32K BIOS ROM.	MMSA pages 0 & 1. Disabled to allow accesses to pass through to ISA bus.
BFFFFFFh – A0000h	ISA bus. VGA card display buffers.	MMSB is disabled which allows accesses to propagate to ISA bus.
9FFFFFFh – 00000h	DRAM.	

NOTE:

1. In the above configuration, MMSB is disabled, and MMSA is defined to start at base address C0000h (i.e., ÉlanSC310 Index 6Dh=00).
2. MMSA pages 0 and 1 are disabled allowing accesses to the address range at C0000h–C7FFFFFFh to propagate to the ISA bus where the VGA BIOS is located.
3. Addresses E0000h–FFFFFFh are set up as linear decodes to the BIOS ROM (Index 65h, bit 0=0, bit 1=1, bit 2=0, bit 3=0). During BIOS initialization, if shadowing is enabled (ÉlanSC310 Index 65h bit 4=1, ÉlanSC310 Index 69h=FFh), then accesses to this address range go to DRAM.
4. Refer to the *ÉlanSC310 Microcontroller Programmer's Reference Manual* for information on ROM BIOS and ROM DOS accesses using the MMS pages.

DOS ROM/Application ROM Mapping

The application ROM space (also known as DOS ROM space) is selected by the DOSCS chip select. Only 256Kx8 Flash parts are supported; 256Kx8 and 512Kx8 EPROMs are supported. JP12 selects between Flash/EPROM (1-2 = Flash, 2-3 = EPROM). JP13 selects between 256Kx8 and 512Kx8 parts (1-2 = 256K, 2-3 = 512K).

NOTE: 512Kx8 Flash can be supported after a minor board rework. Contact your local AMD or distributor Field Application Engineer for more information.

Access to the application ROM begins at offset 0h, and extends up to 1FFFFh, depending on the size and number of parts installed. Application ROM is accessed through the MMS windows.

It is also possible to access linear decoded application ROM. This requires setting up ÉlanSC310 Index B8h. However, the processor must be set up to access memory above the 1 Mbyte boundary.

BIOS ROM Mapping

BIOS ROM mapping is similar to application ROM mapping. BIOS ROM is selected by the BIOSCS chip select. 128Kx8 and 256Kx8 Flash and EPROM devices are supported.

Access to the BIOS ROM begins at offset 0h, and extends up to 3FFFFh, depending on the size of the device. Typically the BIOS ROM is accessed through a linear decode set up for the address range E0000h through FFFFFh. This is set up using ÉlanSC310 Index register 65h. It is also possible to access the BIOS ROM using pages in the MMS windows.

Evaluation Board's I/O Map

Because the ÉlanSC310 microcontroller and the evaluation board are so configurable, there is not one single I/O map that covers all cases. What is illustrated here is a typical memory map for the evaluation board configured in Full ISA mode with the ÉlanSC310 microcontroller internal serial port enabled as COM1, the Super I/O floppy drive controller enabled, an IDE hard drive, and the Super I/O serial port enabled as COM2.

Table 4-3. Typical Full ISA I/O Map

I/O Address	Device Accessed	Special Notes
3F8h–3FFh	ÉlanSC310 internal 16C450 UART	
3F0h–3F7h	IDE drive CS1, Super I/O floppy drive controller	IDE CS1 selected using PGP2. Only addresses 3F6 and 3F7 bit 7 are used for IDE accesses.
3B0h–3DFh	Trident VGA card	3BCh–3BFh should be excluded from this range. They are used for parallel port accesses. Note this is a general address range. Not all I/O locations in this range are used.
3BCh–3BFh	ÉlanSC310 parallel port enabled as LPT1:	Other I/O ranges for the ÉlanSC310 parallel port are 378h–37Fh and 278h–27Fh.
398h–399h	Super I/O index and data ports	Used to enable Super I/O functions.
2F8h–2FFh	Super I/O serial port enabled as COM2	
1F0h–1F7h	IDE drive CS0	IDE CS0 selected using PGP1.
10Ch–10Fh	Reserved	
108h–10Bh	Reserved	
100h–107h	PGP0 decode for V_{pp} control	Set up using ÉlanSC310 Index 89h. (Refer to “Programmable General Purpose (PGP) Pins” on page 4-2.)
ECh–EFh	Reserved	
E8h–EBh	Reserved	
C0h–DEh	DMA controller channels 4–7 (internal to the ÉlanSC310)	See 8237A Spec.
A0h, A1h	Programmable IRQ slave controller (internal to the ÉlanSC310)	See 8259 Spec.

I/O Address	Device Accessed	Special Notes
92h	ÉlanSC310 internal gate A20 and reset control (internal to the ÉlanSC310)	Refer to the <i>ÉlanSC310 Microcontroller Programmer's Reference Manual</i> .
80h–8Fh	DMA page registers. Channels 0–7 (internal to the ÉlanSC310).	
70h–71h	RTC index and data registers (internal to the ÉlanSC310). NMI enable/disable (Bit 7 of Port 70).	MMSB is disabled which allows accesses to propagate to ISA bus.
60h, 64h	8042 keyboard control and data register	See 8042 Spec.
61h	Port B control (internal to the ÉlanSC310)	
40h–43h	Programmable timer registers (internal to the ÉlanSC310)	See 8254 Spec.
20h, 21h	Programmable IRQ master controller (internal to ÉlanSC310)	See 8259 Spec.
0h–Fh	DMA controller channels 0–3 (internal to the ÉlanSC310)	See 8237A Spec.

NOTE: All I/O addresses are at AT-compatible locations.

Evaluation Board's IRQ Mapping

Because the ÉlanSC310 microcontroller and the evaluation board are so configurable, there is not one single IRQ map that covers all cases. What is illustrated here is a typical memory map for the evaluation board configured in Full ISA mode with the ÉlanSC310 microcontroller internal serial port enabled as COM1, the Super I/O floppy drive controller enabled, an IDE hard drive, and the Super I/O serial port enabled as COM2.

Table 4-4. Typical Full ISA IRQ Mapping

IRQ	Device Assigned	Special Notes
15	Available for ISA bus	
14	Connected to IDE interface	
13	Reserved	
12	Available for ISA bus	
11	Available for ISA bus	
10	Available for ISA bus	
9	Available for ISA bus	
8	ÉlanSC310 internal RTC interrupt	
7	ÉlanSC310 internal parallel port	
6	Super I/O floppy drive controller	
5	Available for ISA bus	
4	Internal serial port; COM1	
3	Connected to Super I/O for COM2	Connects to IRQ3 pin on Super I/O
2	Used to cascade to Slave PIC (8259)	
1	Keyboard buffer full (driven by 8042)	
0	Timer 0 output (internal to ÉlanSC310)	Typically used for DOS Clock

NOTE:

1. IRQ lines 3, 4, 5, 6, 7, 9, 10, 11, 12, 14 and 15 are available on the ISA bus. Care must be taken so that cards on the ISA bus do not use interrupts that conflict with internal ÉlanSC310 devices or each other.

Evaluation Board's DMA Mapping

The following table is the DMA mapping for the ÉlanSC310 microcontroller evaluation board.

Table 4-5. Typical Full ISA DMA Mapping

DMA	Device Assigned	Special Notes
7	ISA bus	16-bit I/O accesses
6	ISA bus	16-bit I/O accesses
5	ISA bus	16-bit I/O accesses
4	Reserved	Used to cascade DMA channels 0–3
3	ISA bus	8-bit I/O accesses
2	Super I/O floppy drive controller	8-bit I/O accesses
1	ISA bus	Also used for memory-to-memory transfers with DMA channel 0
0	ISA bus	Also used for memory-to-memory transfers with DMA channel 1

Evaluation Board's Components

8042 Keyboard Controller

The evaluation board uses a non-static 8042 keyboard controller. What this means to the programmer is that if SysCLK stops being driven to the 8042 for any period of time, the controller must be reset once SysCLK starts being driven again in order for the 8042 to function properly. The ÉlanSC310 microcontroller stops driving SysCLK any time the Low Speed PLL is disabled or when in Sleep, Suspend and Off PMU modes even if the Low Speed PLL is enabled for these modes. One side effect of not driving SysCLK to the 8042 is the RC pin from the 8042 will go active for a short period of time. This active state is latched by the ÉlanSC310 microcontroller. Therefore when the ÉlanSC310 microcontroller goes back to High Speed PLL mode from Sleep, Suspend or Off mode, the CPU is reset.

Note that the above conditions only apply to a non-static 8042. If a static 8042 is used, then these conditions don't apply.

To work around these situations, the evaluation board has been wired to use two pins on the ÉlanSC310 microcontroller to gate RC from the 8042 (PMC4) and to reset the 8042 (PMC0). PMC4 should be programmed to mask off the RC pin from the 8042 while in Sleep, Suspend, and Off modes to prevent the CPU from being reset due to SysCLK not being driven out of the ÉlanSC310. (If the Low Speed PLL is to be disabled in Doze mode then PMC4 should be driven for this mode as well.) When the system goes back to High Speed PLL mode, the 8042 needs to be reset by pulsing PMC0 high for 1 millisecond. Commands should also be issued to the 8042 to re-enable the keyboard. See "PMC0" on page 4-4 and "PMC4" on page 4-4 for more information.

National Super I/O PC87322VF

The Super I/O is set up to decode address 398h and 399h for its index and data registers.

When configuring the serial port on the Super I/O it is important to note that IRQ3 from the chip is connected to PIRQ0 on the ÉlanSC310 microcontroller. (Note: PIRQ0 on the ÉlanSC310 is internally set to IRQ3 when in Full ISA Bus mode; it is programmable in all other bus modes.) IRQ4 from the Super I/O is not connected. Therefore when configuring the serial port in the Super I/O, only configure it to use IRQ3. Also PMC2 must be set to 1 in order to enable the RS232 drivers for the serial port.

The Super I/O parallel port is not connected and therefore should not be enabled.

The floppy drive interface on the Super I/O is enabled. DMA channel 2 is used and the floppy IRQ is connected to PIRQ1 on the ÉlanSC310 microcontroller. (Note: PIRQ1 on the ÉlanSC310 is internally set to IRQ6 when in Full ISA Bus mode; it is programmable in all other bus modes.)

IDE Interface

An IDE drive can be directly connected to the ÉlanSC310 microcontroller. On the evaluation board, data bit 7 is routed through the Super I/O in order to properly handle bit 7 for I/O addresses 3F6 and 3F7, which are jointly used by the Floppy and the IDE interface. The IRQ line from the IDE connector is connected to IRQ14 on the ÉlanSC310 microcontroller. PGP1 is used for the IDE chip select 1 (I/O address 1f0–1F7h). PGP2 is used for IDE chip select 2 (I/O address 3f6–3f7). See “Connecting an IDE Hard Drive” on page 1-7 for the steps to connect the drive.

Enabling the ÉlanSC310 Internal Serial Port

The ÉlanSC310 microcontroller internal serial port is typically configured as COM1. The following ÉlanSC310 index registers need to be set for this configuration:

- Elan Index 77h = 90h ; Enable internal UART to base address 3F8 and IRQ 4 (COM1)
- Elan Index 92h = 01h ; Enable clock to UART
- Elan Index 48h = 02h ; Set for 16C450 compatibility
- Set pin PMC2 active for all PMU modes (refer to “Power Management Control (PMC) Pins” on page 4-3).

The UART’s I/O registers 3F8h–3FFh can now be accessed to perform serial transfers.



Appendix A

Evaluation Board Setup Summary

This appendix summarizes the jumper and switch settings of the ÉlanSC310 microcontroller evaluation board. For the location of these parts on the board, see Figure 2-1 on page 2-2.

Table A-1. Bus Mode Selection and Affected Jumpers

Bus Mode	Resistor Pack Setting	JP16		JP17		JP18	
		1-2	2-3	1-2	2-3	open	closed
Full ISA	Install RP1 & RP2 only	N/A	N/A	Connects IRQ3 from Super I/O	N/A	N/A	Connects IRQ12 from mouse
Local Bus	Install RP5 & RP6 only	2x CPU clock	N/A	Connects IRQ3 from Super I/O	N/A	N/A	Connects IRQ12 from mouse

Table A-2. Configuration Jumpers

3 Position Jumpers	System Affected	1-2	2-3
JP12	DOS ROM & BIOS	Selects Flash	Selects EPROM device
JP13	DOS sockets	256Kx8	512Kx8 ¹
JP16			
Local Bus mode	CPU clock	2x	N/A
JP17	Super I/O Serial Port PS/2 Mouse	Enables Super I/O serial port IRQ	N/A ²
JP18	(see Table A-3 on page A-3)		
JP32	BIOS ROM socket	U59 (Phoenix)	U20 (SystemSoft)

1– 512Kx8 Flash can only be supported after a minor board rework. Contact your local AMD or distributor Field Application Engineer for more information

2– Cannot be set in Full ISA or Local Bus mode.

Table A-3. JP18

Mode	Pin Setting	Function
ISA or Local bus	Closed	Enables PS/2 port (Connects IRQ12 from 8042 to IRQ12 on ÉlanSC310 Device)

Table A-4. Switches

SW3:	ON	OFF
1	NC	NC
2	Connects VGARDY to VLRDYI	Open
3	Connects VLRDYO to VLRDYI	Open
4	NC	NC
SW4:	ON	OFF
1	Memory = 5 V	Memory = 3.3 V
2	Connects PIRQ1 to ÉlanSC310 device	Disconnects PIRQ1 from ÉlanSC310 device
3	Connects IRQ1 to ÉlanSC310 device	Disconnects IRQ1 from ÉlanSC310 device
4	BL1 = GND	BL1 = 5V
5	BL2 = GND	BL2 = 5V
6	BL3 = GND	BL3 = 5V
7	BL4 = GND	BL4 = 5V
8	ACIN = GND	ACIN = 5V

Table A-5. Power Measurement Jumpers

NOTE: Be sure to turn off system power before removing JP1–JP11. Replace JP1–11 before power-up or the system will not work.

Jumper	V _{CC}	Logic connected to V _{CC} plane
JP1	V _{CC}	ÉlanSC310 core V _{CC} only. Always 3.3 V.
JP2	V _{CC3}	ÉlanSC310 AV _{CC} pin. Analog V _{CC} . Always 3.3 V.
JP3	V _{CC5}	ÉlanSC310 V _{CC5} pin. Diode clamp refs except V _{CCMEM} and AV _{CC} source pins. Always 5 V except in full 3.3-V designs. (Evaluation board limits to 5 V.)
JP4	V _{CCMEM}	ÉlanSC310 memory interface V _{CC} . See the SW4 table on page 2-19 for 3.3-V or 5-V setting. Restrictions do apply. Also the diode clamp ref for pins sourced to the V _{CCMEM} pin.
JP5	V _{CCSYS}	ÉlanSC310 ISA bus V _{CC} and other misc. pins. 5 V or 3.3 V. Refer to datasheet for details.
JP6	V _{CCSYS2}	ÉlanSC310 alternate pin V _{CC} . 5 V or 3.3 V. Refer to datasheet for details.
JP7	V _{CCMEM53}	System DRAM V _{CC} plane.
JP10	V _{CCKBOS}	8042 V _{CC}
JP11	V _{CCROM}	BIOS and Application ROM V _{CC}
JP19	V _{CC1}	ÉlanSC310 V _{CC1} pin 176. 5 V or 3.3 V.

Appendix B



Verified Peripherals

This a list of peripherals that have been verified to work on the ÉlanSC310 microcontroller evaluation board:

Peripheral	Manufacturer	Model #
Floppy Drive	Mitsumi	D359T3
	TEAC	FD-235HF
Hard Drive*	Quantum	ProDrive LPS series
	Western Digital	Caviar series
Power Supply	DTK Computer Inc.	PIP-151
	TransWorld	TW-1800R
	Jabert	WE-D250
Keyboard	Keytronic	KT2000 series
	Mitsumi	KPQ-E99YC
VGA Monitor	CTX	6439
	NEC MultiSync	5FGE
Video Card	AVED	AV540
	Trident	TVGA 9000I

*– Note that Connor and Fujitsu hard drives do not work with this board.

Appendix C

Board Layout Suggestions

The following suggestions concern the ÉlanSC310 microcontroller evaluation board layout strategy for the 32-kHz oscillator, the PLLs, and the power supplies. The goal is to minimize noise and noise coupling associated with the way the board is laid out. Special care is needed to minimize board leakages which can be fatal to pins that are sensitive to leakage currents, such as the two crystal oscillator pins, XTAL1 and XTAL2.

32-kHz Oscillator

Prudent board layout for the 32-kHz oscillator suggests the following precautions:

- Keep the two traces, XTAL1 and XTAL2, as short as possible, especially the input trace, XTAL1. XTAL1 is extremely sensitive to leakage. Total leakage from/to XTAL1 to/from all the pins on the board must be kept under 300 nA. XTAL2 can tolerate a leakage as high as 900 nA.
- Keep all noisy signals (e.g., PLL outputs and other clocking signals) as far away from XTAL1 and XTAL2 as possible. Again, XTAL1 is much more sensitive to noise coupling than XTAL2.
- Minimize parasitic capacitance between XTAL1 and XTAL2; even a few picofarads can potentially cause the oscillation frequency to be off target.
- Do not use a feedback resistor larger than 20 M Ω ; it may fail to start up if the leakage at XTAL1 is equivalent to 5M Ω or less. The feedback resistor value can be lowered to counter leakage at XTAL1, but that increases start-up time. The lower bound for the feedback resistor should be about 10 M Ω .
- The capacitors connected between XTAL1, XTAL2, and analog ground should be between 15 pF and 30 pF, and they should be about equal in value. Increasing the two capacitor values increases start-up time and power consumption, but it does reduce noise coupling into XTAL1 and XTAL2.

Phase-Locked Loops

Board layout considerations for the four PLLs suggest the following precautions:

- Keep the output traces for the four PLLs as short as possible and keep them as far away from each other (and other clocking signals) as possible.
- Do not exceed the specified AC loading for the four PLL outputs. Certainly no DC loading is allowed since they are all CMOS logic outputs. If the PLLs have to drive more load than they are designed for in the actual application, make sure they are properly buffered on the board.

Power Supplies

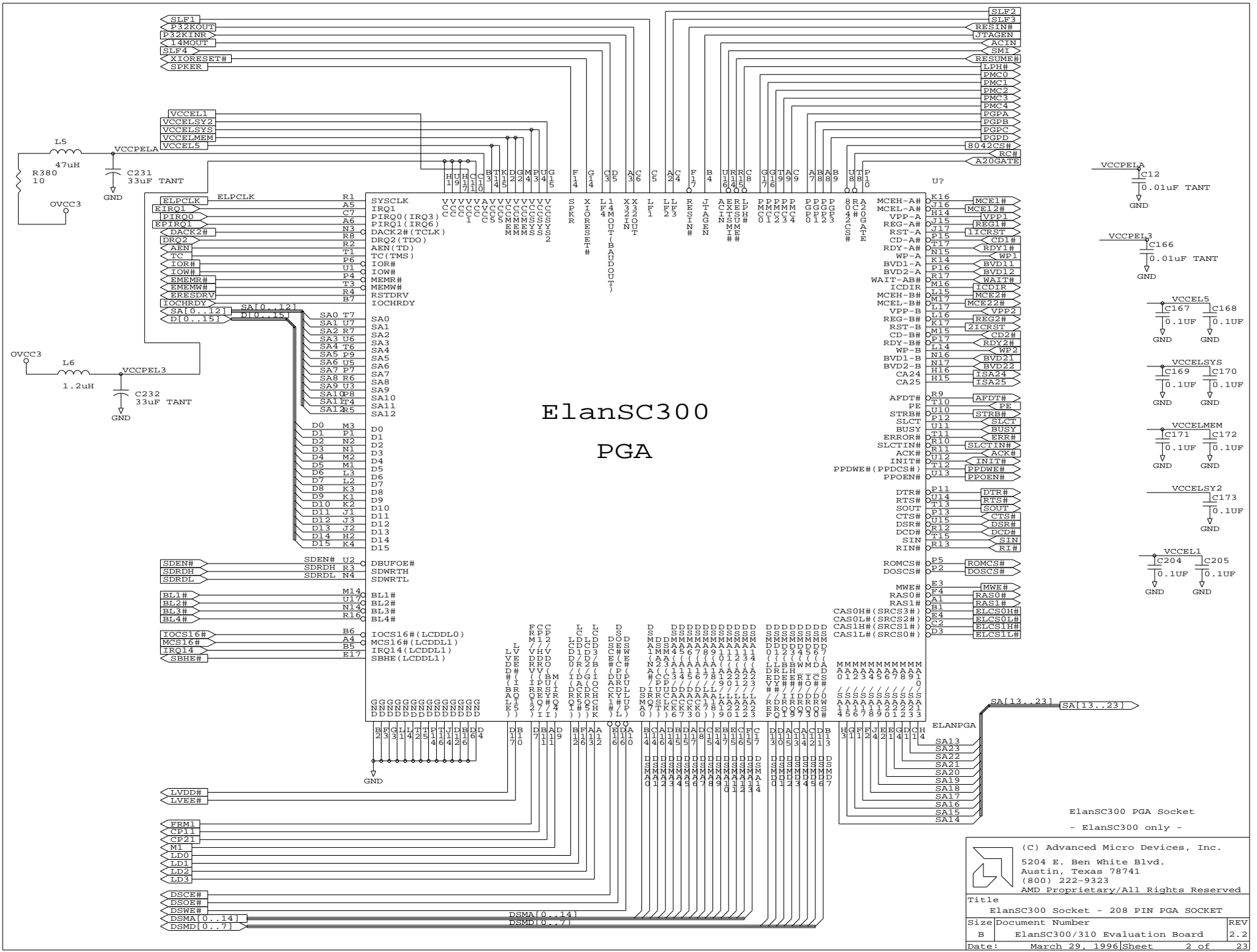
Board layout considerations for the power supplies suggest the following precautions:

- Bring the analog V_{CC} and digital V_{CC} on separate traces from the output of the voltage regulator to the ÉlanSC310 microcontroller; making sure the traces are thick and wide. Filter the analog V_{CC} with an RLC second-order low-pass filter (e.g., $R=10\ \Omega$, $L=47\ \mu\text{H}$, $C=33\ \mu\text{F}$). Since the digital V_{CC} carries much more current than the analog V_{CC} , a second order LC low-pass filter should be used instead (i.e., the series resistor should be removed). A small capacitor in the order of a few nanofarads can be added in parallel to the large filter capacitor to suppress high-frequency noise.
- Isolate the analog ground plane from the digital ground plane on the board, and connect them after decoupling.

Appendix D

Schematics

The schematics beginning on page D-2 are the actual Orcad schematics used to build the ÉlanSC310 microcontroller evaluation board. These schematics are useful for understanding and modifying the evaluation board. Since the evaluation board incorporates many different possible configurations for the ÉlanSC310 microcontroller, these schematics are not a good place to start for actual ÉlanSC310 microcontroller-based designs.

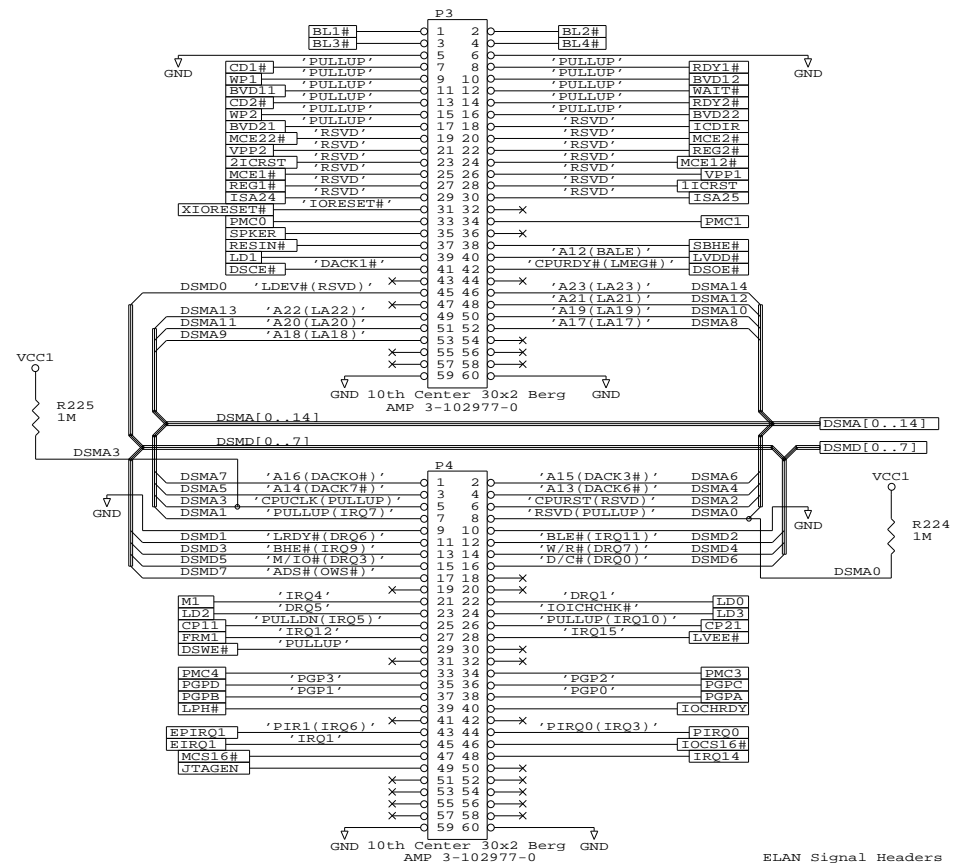
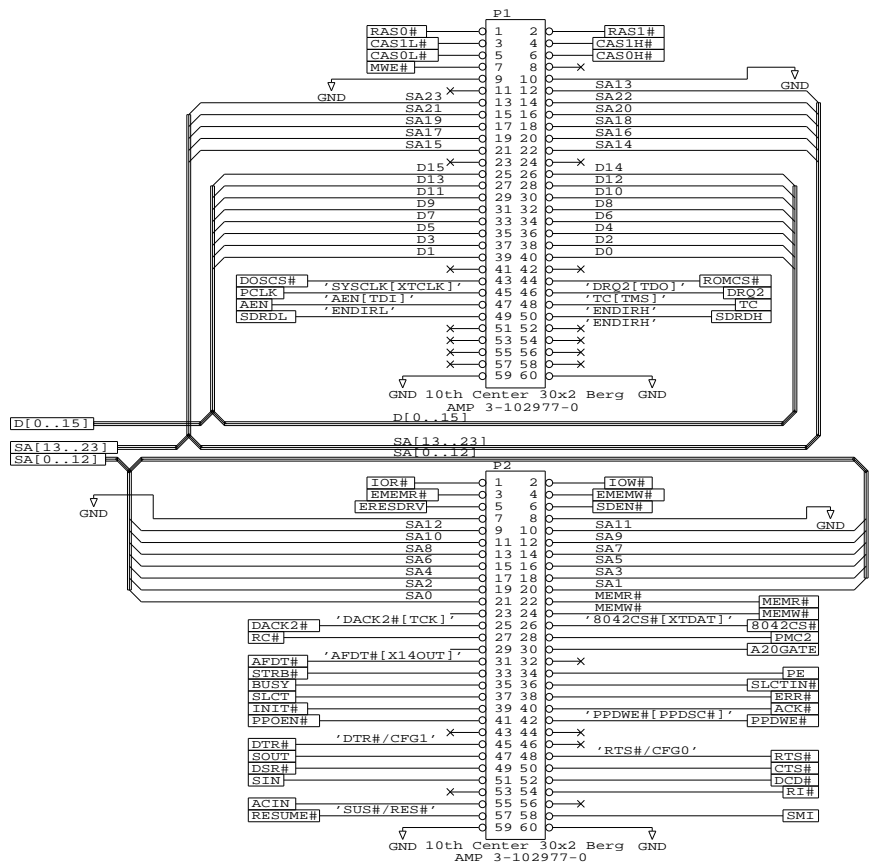


ElanSC300 PGA

ElanSC300 PGA Socket
- ElanSC300 only -

(C) Advanced Micro Devices, Inc.
5204 E. Ben White Blvd.
Austin, Texas 78741
(800) 222-9323
AMD Proprietary/All Rights Reserved

Title		ElanSC300 Socket - 208 PIN PGA SOCKET
Size	Document Number	REV
B	ElanSC300/310 Evaluation Board	2.2
Date:	March 29, 1996	Sheet 2 of 23



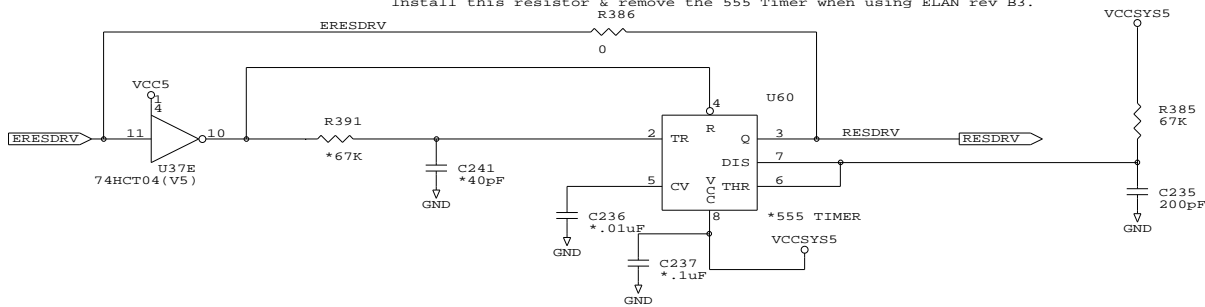
ELAN Signal Headers

Note:
 ElansC300 Chip/schematic signal name
 'ElansC310 Chip signal name'

(C) Advanced Micro Devices, Inc.
 5204 E. Ben White Blvd.
 Austin, Texas 78741
 (800) 222-9323
 AMD Proprietary/All Rights Reserved

Title	Debug Headers	
Size	Document Number	REV
B	ElansC300/310 Evaluation Board	2.2
Date	March 29, 1996	Sheet 3 of 23

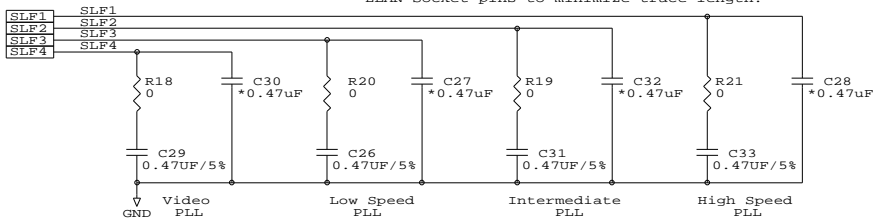
Install this resistor & remove the 555 Timer when using ELAN rev B3.
R386



Note: (ElanSC300 only)
The 555 Timer is configured to function as a one-shot. ElanSC300 revs B1 & B2 deliver a short RESDRV pulse when exiting uPower OFF mode which could cause some issues. That is the reason for this one-shot. The ElanSC300 rev B3 device will address this issue & the one-shot is not needed.

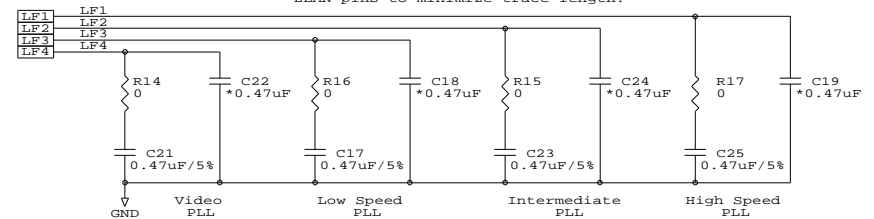
- ElanSC300 only -

NOTE
Place these components close to the
ELAN Socket pins to minimize trace length.

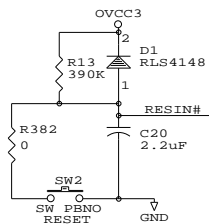


ElanSC300 PGA Socket Loop Filters

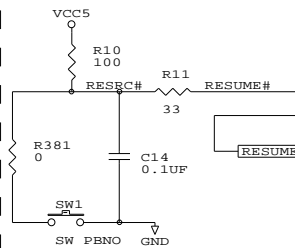
NOTE
Place these components close to the
ELAN pins to minimize trace length.



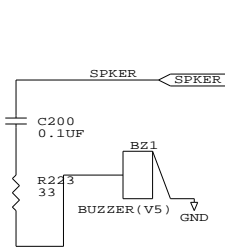
ElanSC300/310 QFP Chip Loop Filters



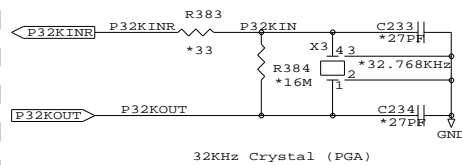
Reset Switch



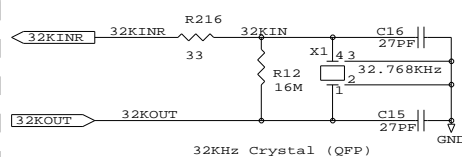
Suspend/Resume Switch



System Speaker

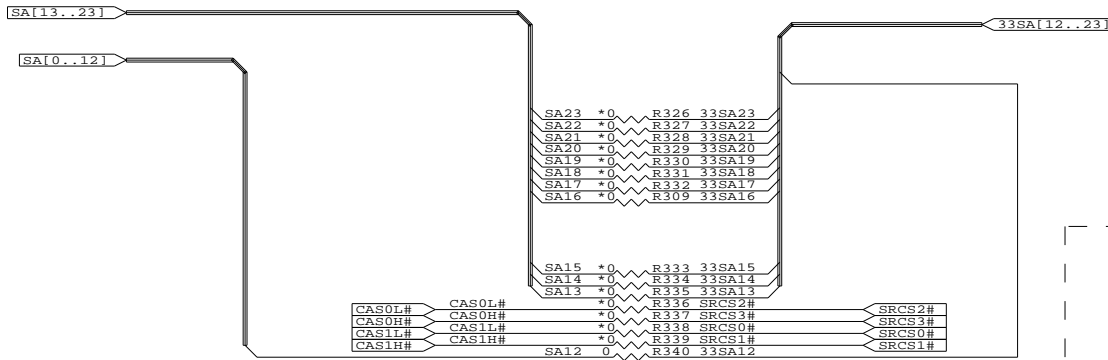
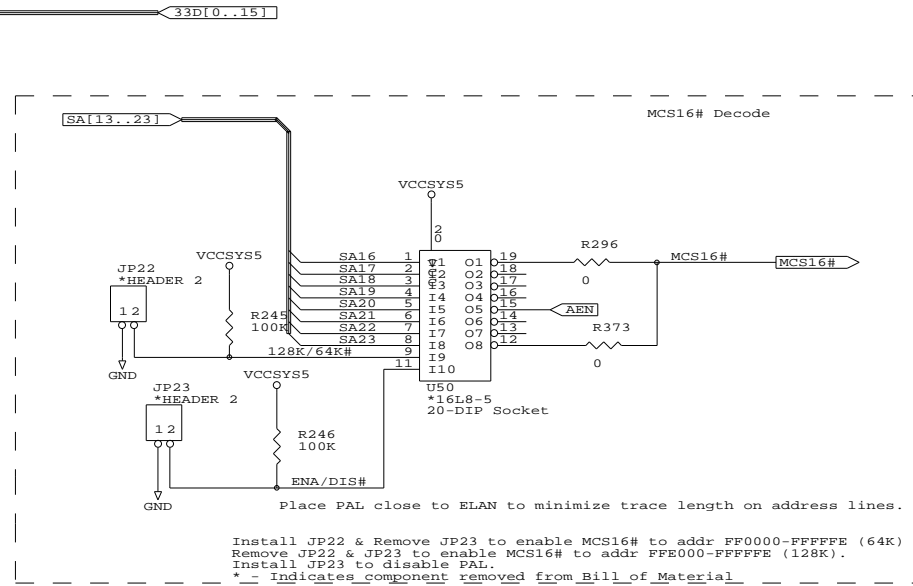
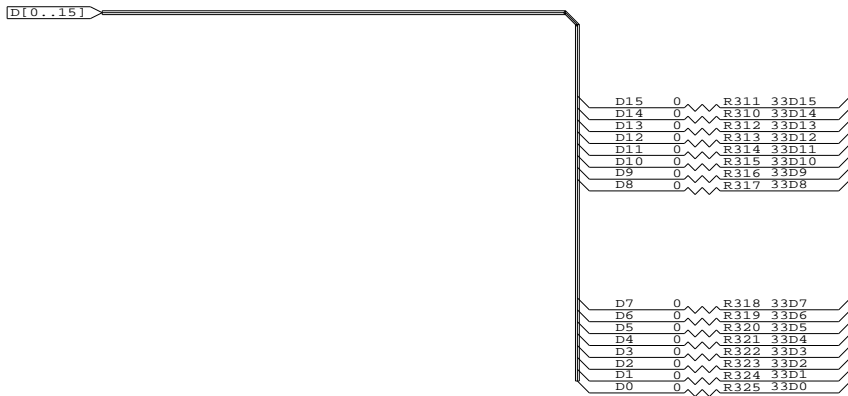


32KHz Crystal (PGA)



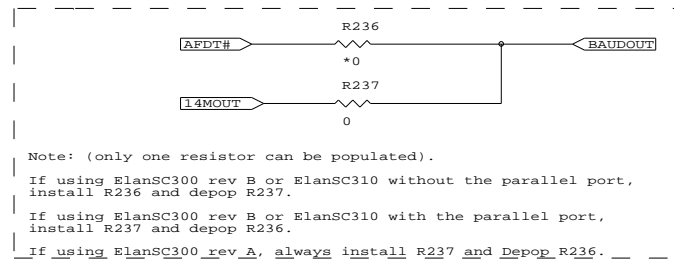
32KHz Crystal (QFP)

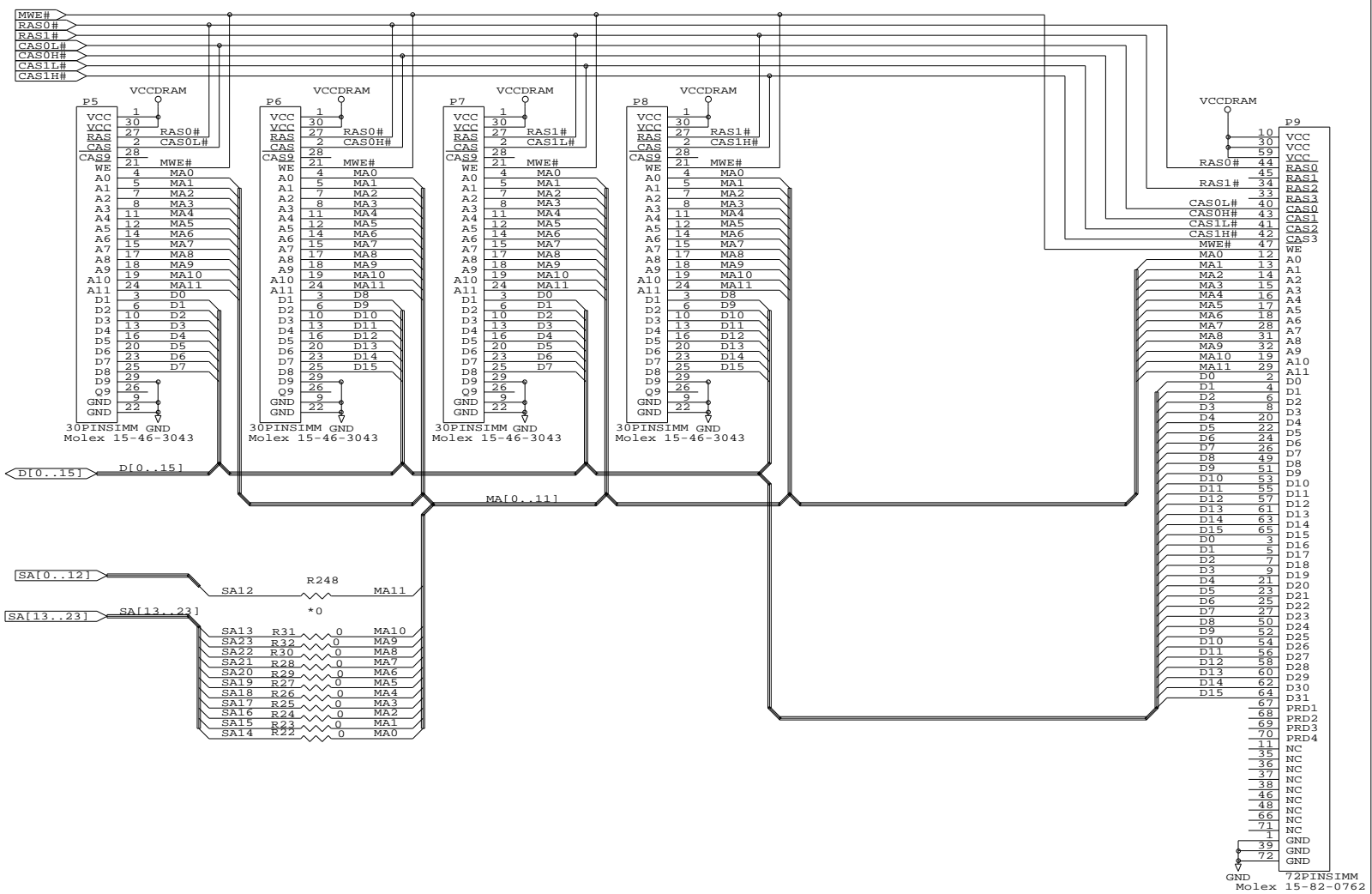
		(C) Advanced Micro Devices, Inc.	
		5204 E. Ben White Blvd. Austin, Texas 78741 (800) 222-9323	
AMD Proprietary/All Rights Reserved			
Title	XTAL, SWITCHES, LOOP FILTER COMPONENTS, SPEAKER		REV
Size	Document Number	B	
Date:	March 29, 1996	Evaluation Board	2.2
Sheet	4 of		23



* - Note: if using ElanSC310, do not populate R309 and R326 - R339.

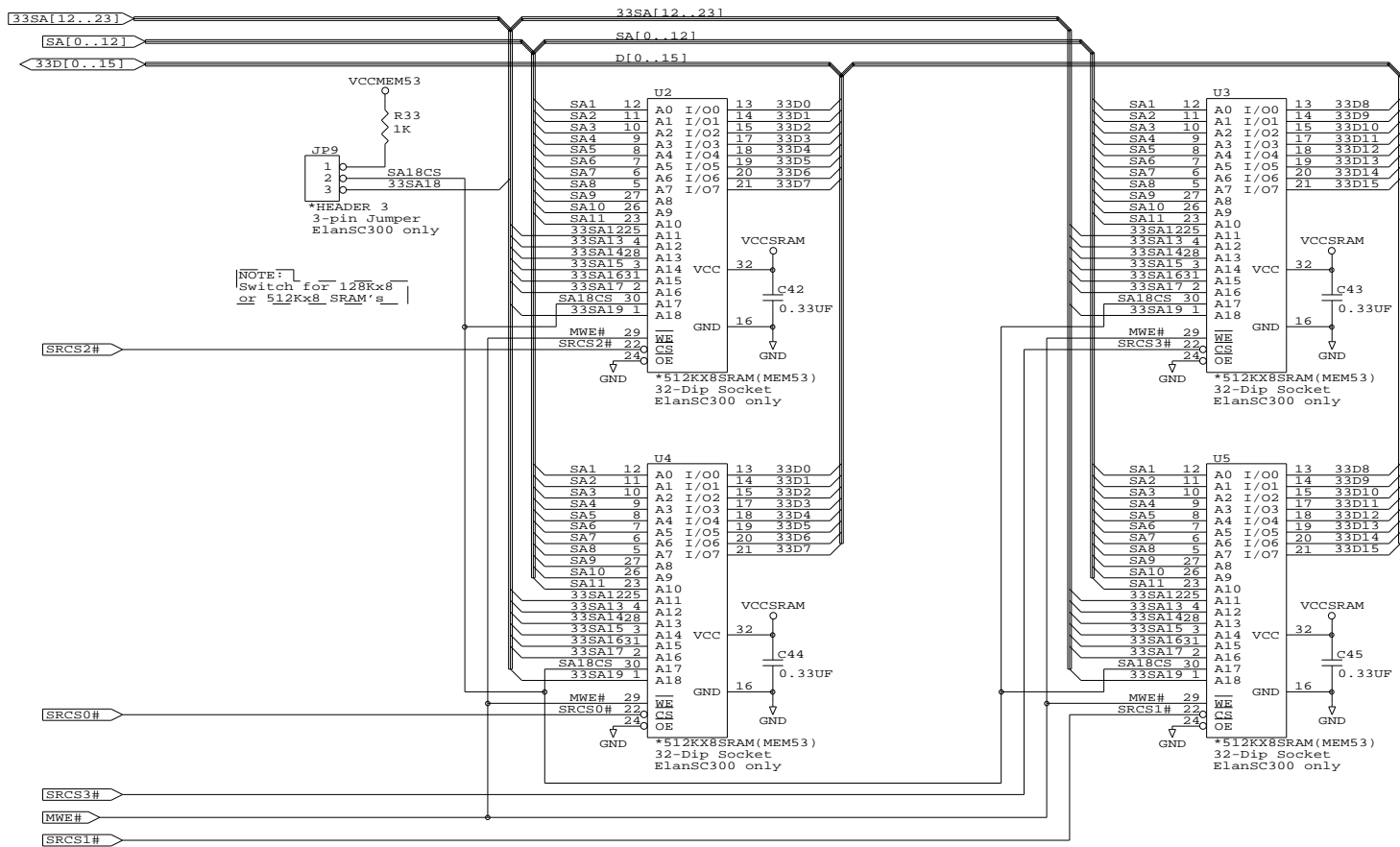
ElanSC300 Only: Place Resistors R309-R340 as close as possible to ELAN.
 Depop Resistors R309-R340 when running internal CGA mode at 33 MHZ to minimize capacitive loading on DRAM signals.
 Removing Resistors will disable local bus video connector and SRAM sockets.



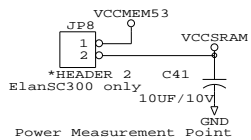


Main System Memory - DRAM SIMMS
 (C) Advanced Micro Devices, Inc.
 5204 E. Ben White Blvd.
 Austin, Texas 78741
 (800) 222-9323
 AMD Proprietary/All Rights Reserved


Title	DRAM Main Memory SIMMS	
Size	Document Number	REV
B	ElanSC300/310 Evaluation Board	2.2
Date:	March 29, 1996	Sheet 6 of 23

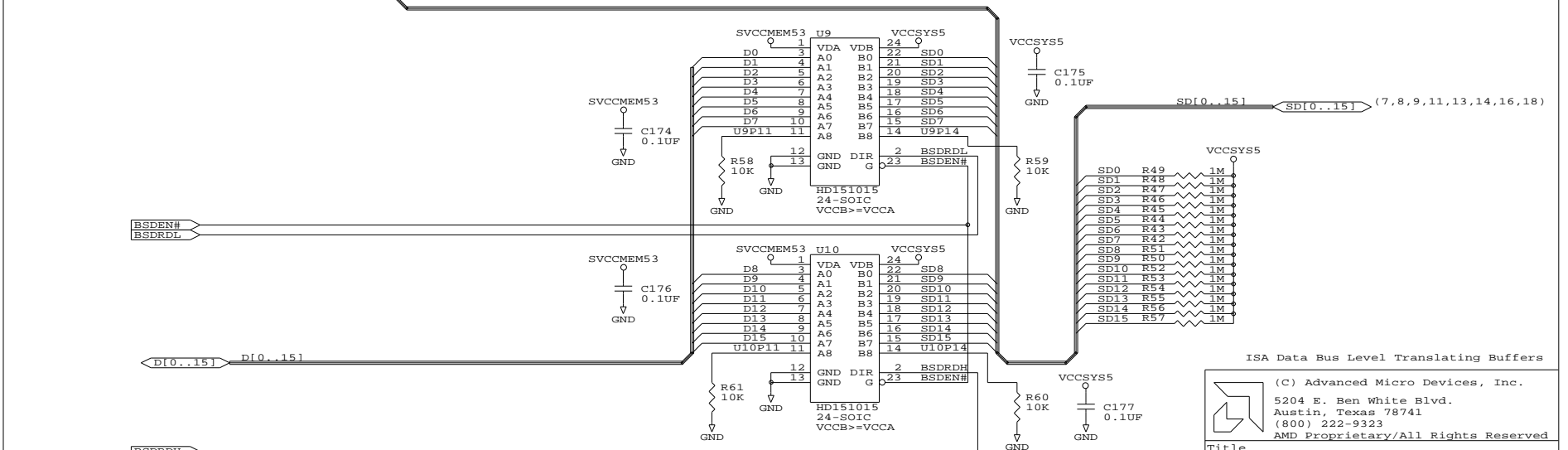
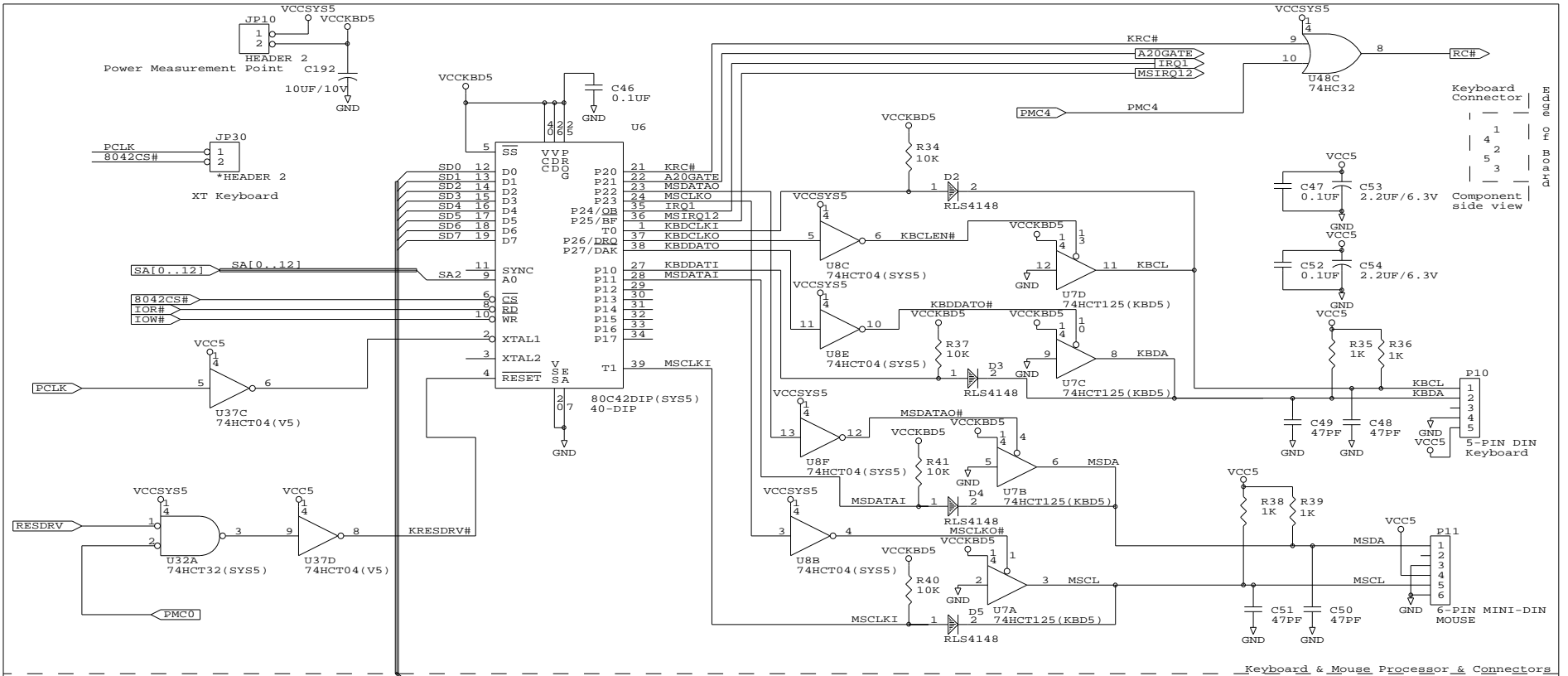


* - Note: If using ElanSC310, do not populate: U2 - U5, JP8, JP9



Main System Memory - SRAM
- ElanSC300 only -

		(C) Advanced Micro Devices, Inc.	
		5204 E. Ben White Blvd. Austin, Texas 78741 (800) 222-9323	
AMD Proprietary/All Rights Reserved			
Title	SRAM Main Memory		
Size	Document Number	Evaluation Board	REV
B	ElanSC300/310		2.2
Date:	March 29, 1996	Sheet	7 of 23



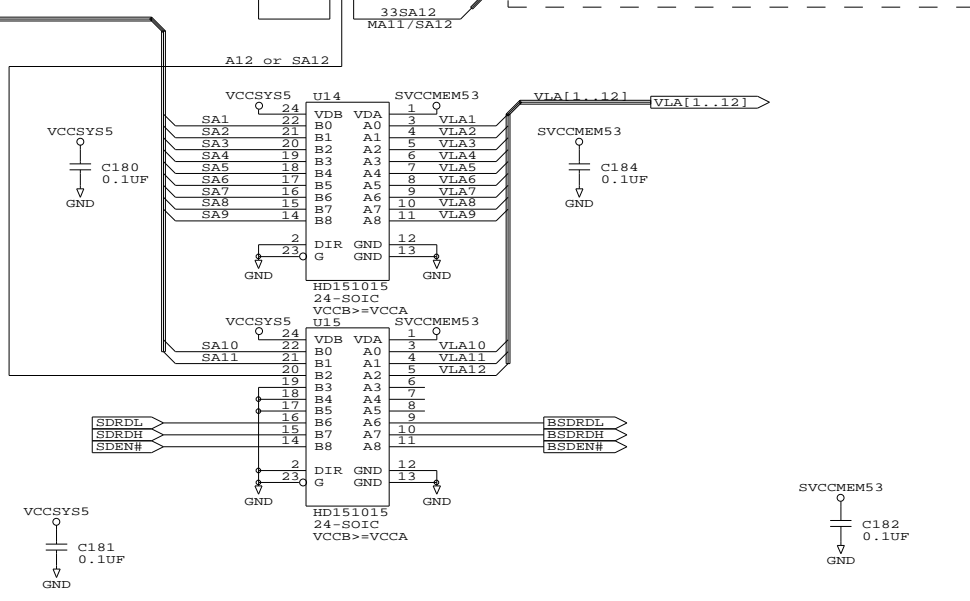
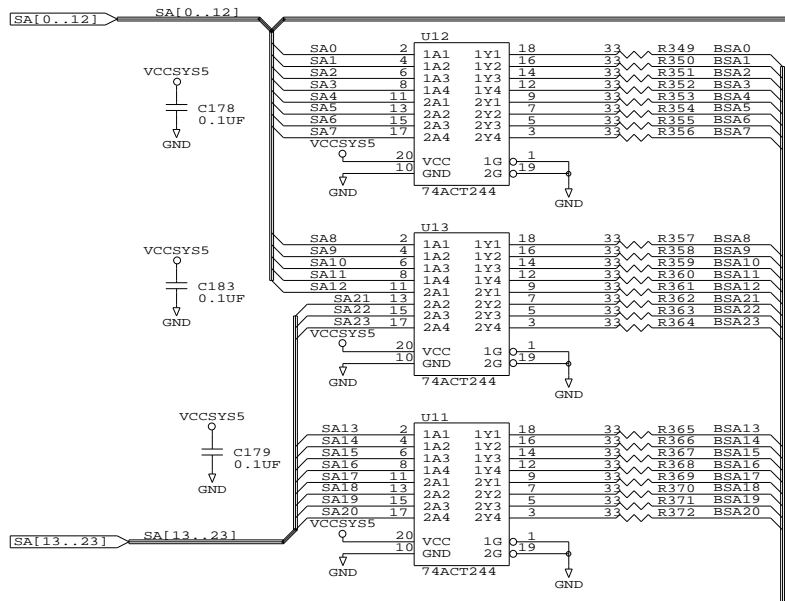
ISA Data Bus Level Translating Buffers

(C) Advanced Micro Devices, Inc.
 5204 E. Ben White Blvd.
 Austin, Texas 78741
 (800) 222-9323
 AMD Proprietary/All Rights Reserved

Title	SCP, Keyboard, Mouse, & SD Buffers	REV
Size	Document Number	2.2
B	ElanSC300/310 Evaluation Board	2.2
Date:	March 29, 1996	Sheet 8 of 23

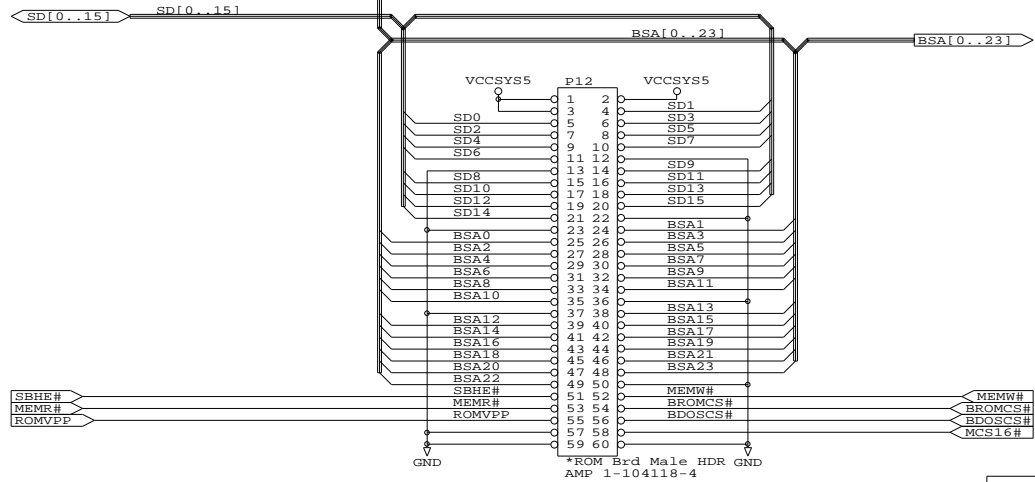
ElanSC300 rev A: LVDD#(BALE)
 ElanSC300 rev B: LVDD#(A12/BALE)
 ElanSC310: 'A12(BALE)'

Note: (for Local Bus mode only).
 If using ElanSC300 rev A, always install JP31 on pins 2 & 3.
 If using ElanSC300 rev B or ElanSC310, then: install JP31 on pins 1 & 2 to select A12, or install JP31 on pins 2 & 3 to select SA12.



System Address Bus Buffers

Local Bus Address Translating Buffers



ROM Card Connector

Connector

1	00	2
3	00	4
5	00	6
7	00	8
9	00	10
11	00	12
13	00	14
15	00	16
17	00	18
19	00	20
21	00	22
23	00	24
25	00	26
27	00	28
29	00	30
31	00	32
33	00	34
35	00	36
37	00	38
39	00	40
41	00	42
43	00	44
45	00	46
47	00	48
49	00	50
51	00	52
53	00	54
55	00	56
57	00	58
59	00	60

Component side of board

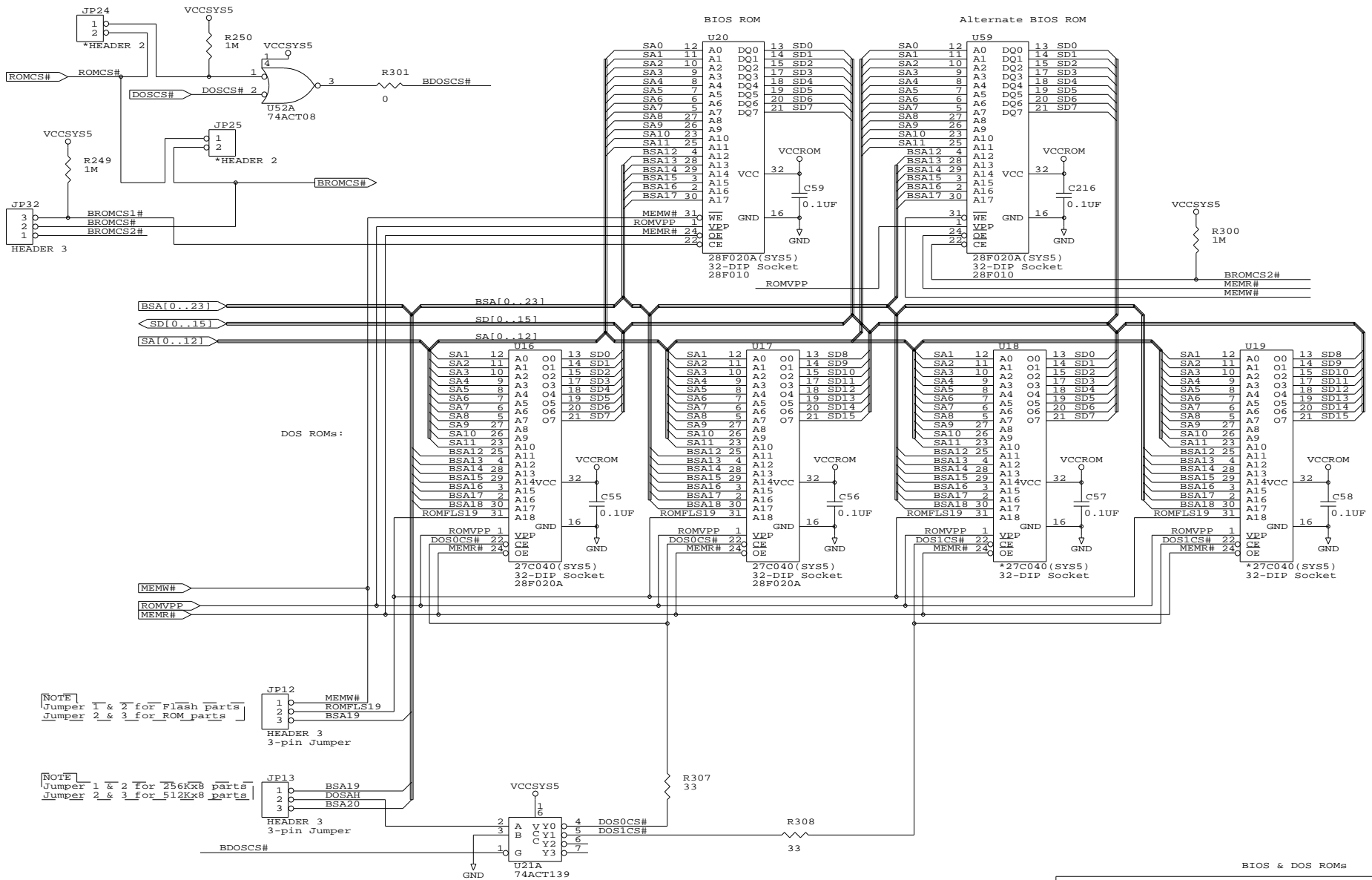
NOTE
 ROM Daughter card does full decoding.
 Depopulate ROMs on this board when using.
 Connector (P12) is not standard on all boards and is only populated when needed.

(C) Advanced Micro Devices, Inc.
 5204 E. Ben White Blvd.
 Austin, Texas 78741
 (800) 222-9323
 AMD Proprietary/All Rights Reserved

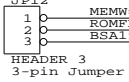
Title	Address Buffering & ROM Connector	
Size/Document Number	REV	
B	ElanSC300/310 Evaluation Board	2.2
Date:	March 29, 1996	Sheet 9 of 23

Install JP24 and remove JP25 to enable BDOCS# as the chip select for ROM BIOS accesses.
 Remove JP24 and Install JP25 to enable BROMCS# during ROM BIOS accesses.

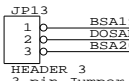
NOTE: Can place 128Kx8 Flash (28F010) in these sockets. A17 will not be used.



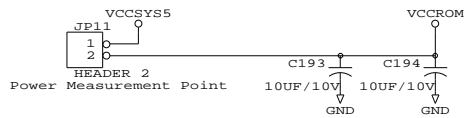
NOTE: Jumper 1 & 2 for Flash parts
 Jumper 2 & 3 for ROM parts




NOTE: Jumper 1 & 2 for 256Kx8 parts
 Jumper 2 & 3 for 512Kx8 parts

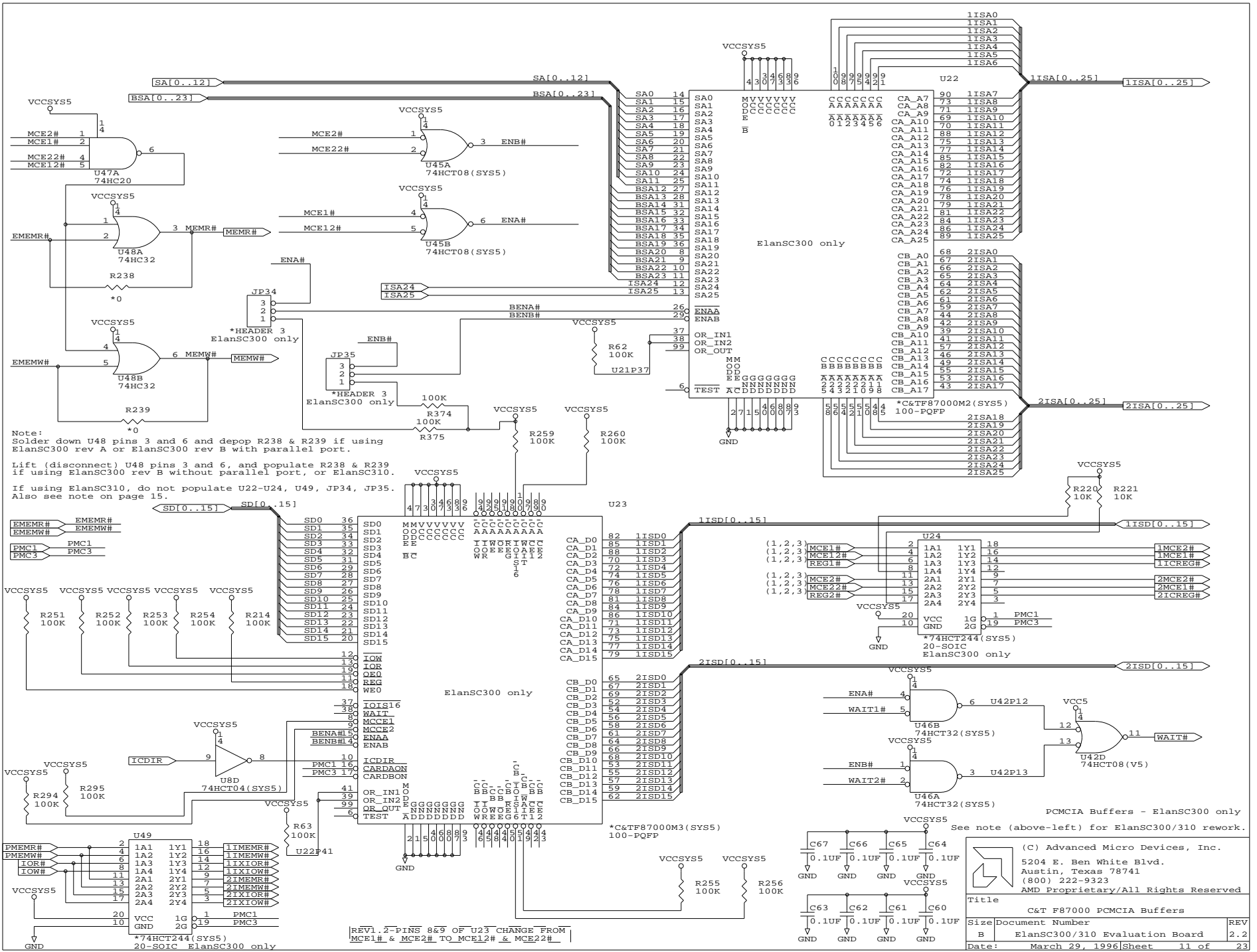


NOTE: Use switch for 512Kx8 ROMs
 or 256Kx8 Flash chips



BIOS & DOS ROMs

 (C) Advanced Micro Devices, Inc. 5204 E. Ben White Blvd. Austin, Texas 78741 (800) 222-9323 AMD Proprietary/All Rights Reserved		
Title	BIOS & DOS ROM (Flash or EPROM)	
Size/Document Number	B ElanSC300/310 Evaluation Board	
REV	2.2	
Date:	March 29, 1996	Sheet 10 of 23



Note:
Solder down U48 pins 3 and 6 and depop R238 & R239 if using ElanSC300 rev A or ElanSC300 rev B with parallel port.
Lift (disconnect) U48 pins 3 and 6, and populate R238 & R239 if using ElanSC300 rev B without parallel port, or ElanSC310.
If using ElanSC310, do not populate U22-U24, U49, JP34, JP35. Also see note on page 15.

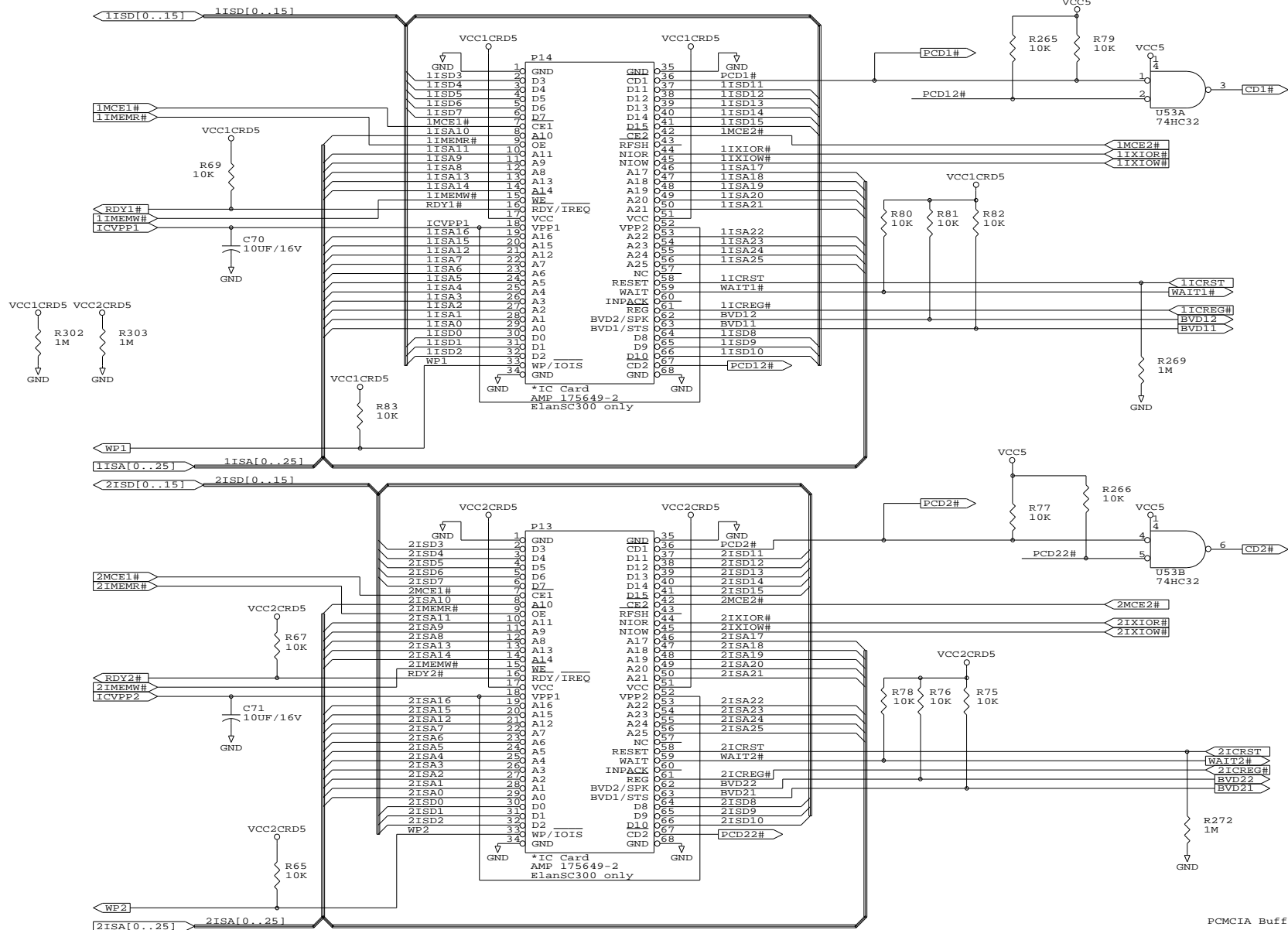
REV1.2-PINS 8&9 OF U23 CHANGE FROM MCE1# & MCE2# TO MCE12# & MCE22#

See note (above-left) for ElanSC300/310 rework.

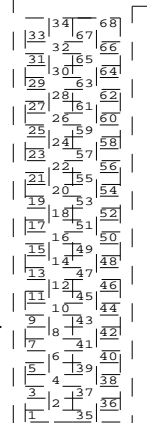
PCMCIA Buffers - ElanSC300 only

(C) Advanced Micro Devices, Inc.
5204 E. Ben White Blvd.
Austin, Texas 78741
(800) 222-9323
AMD Property/All Rights Reserved

Title	C&T F87000 PCMCIA Buffers	REV
Size	Document Number	2.2
B	ElanSC300/310 Evaluation Board	
Date:	March 29, 1996	Sheet 11 of 23



IC Card Connector AMP 175649-2

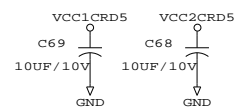


Component side view

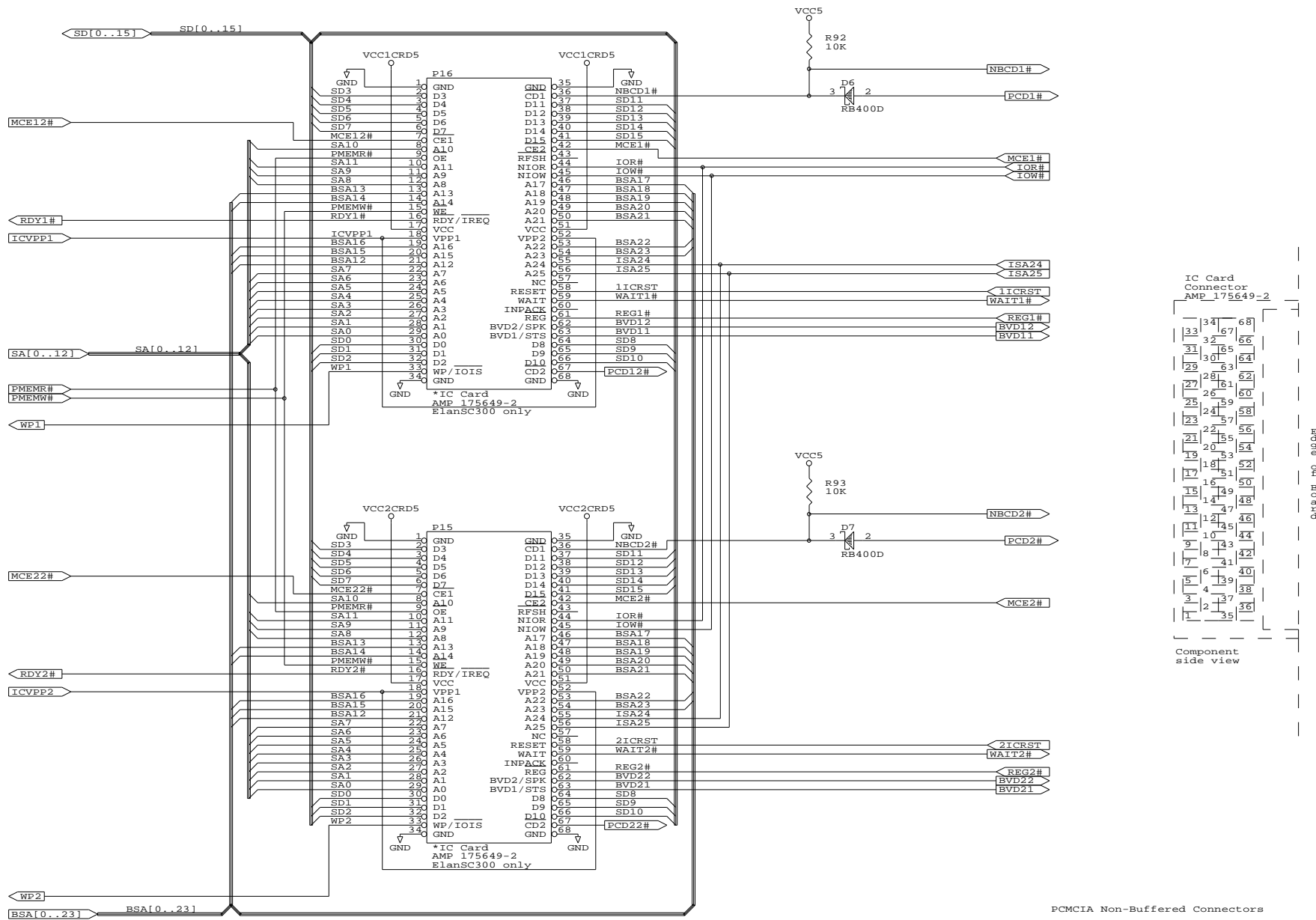
PCMCIA Buffered Connectors - ElanSC300 only -

If using ElanSC310, do not populate P13 and P14.

(C) Advanced Micro Devices, Inc.
 5204 E. Ben White Blvd.
 Austin, Texas 78741
 (800) 222-9323
 AMD Proprietary/All Rights Reserved




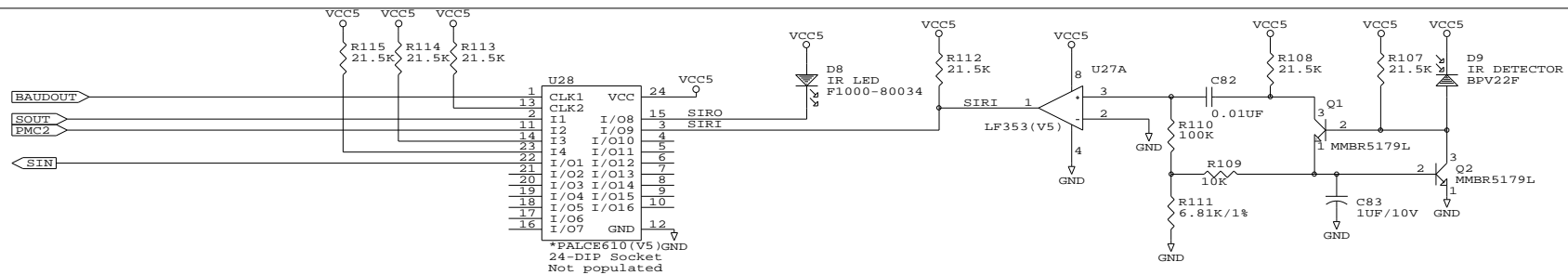
Title		Buffered PCMCIA Connectors
Size	Document Number	REV
B	ElanSC300/310 Evaluation Board	2.2
Date:	March 29, 1996	Sheet 12 of 23



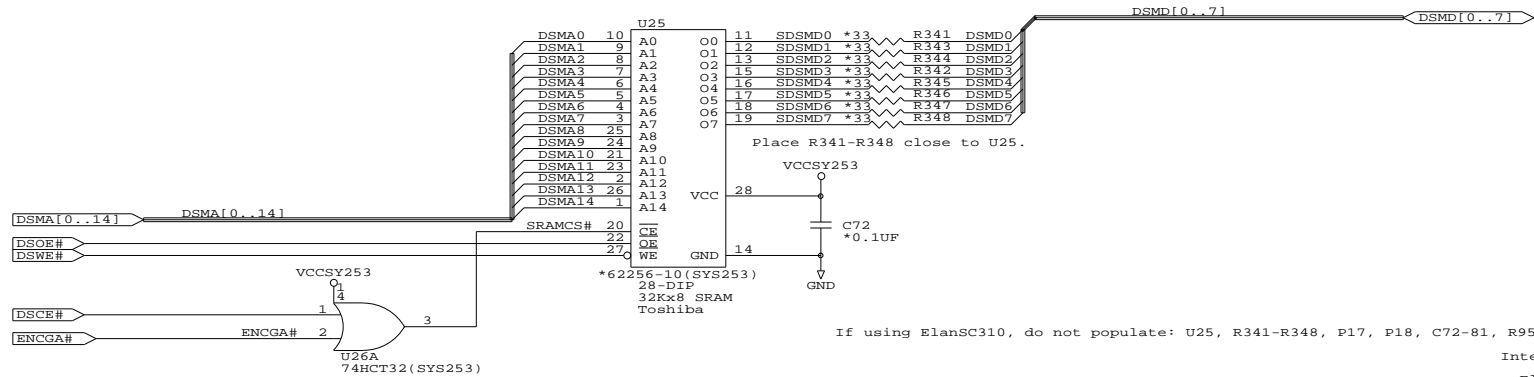
If using ElanSC310, do not populate P15 and P16.

PCMCIA Non-Buffered Connectors
- ElanSC300 only -

		(C) Advanced Micro Devices, Inc. 5204 E. Ben White Blvd. Austin, Texas 78741 (800) 222-9323 AMD Proprietary/All Rights Reserved	
		Title Non-Buffered PCMCIA Connectors	
Size	Document Number		REV
B	ElanSC300/310 Evaluation Board		2.2
Date:	March 29, 1996	Sheet	13 of 23

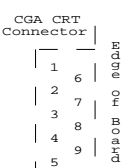
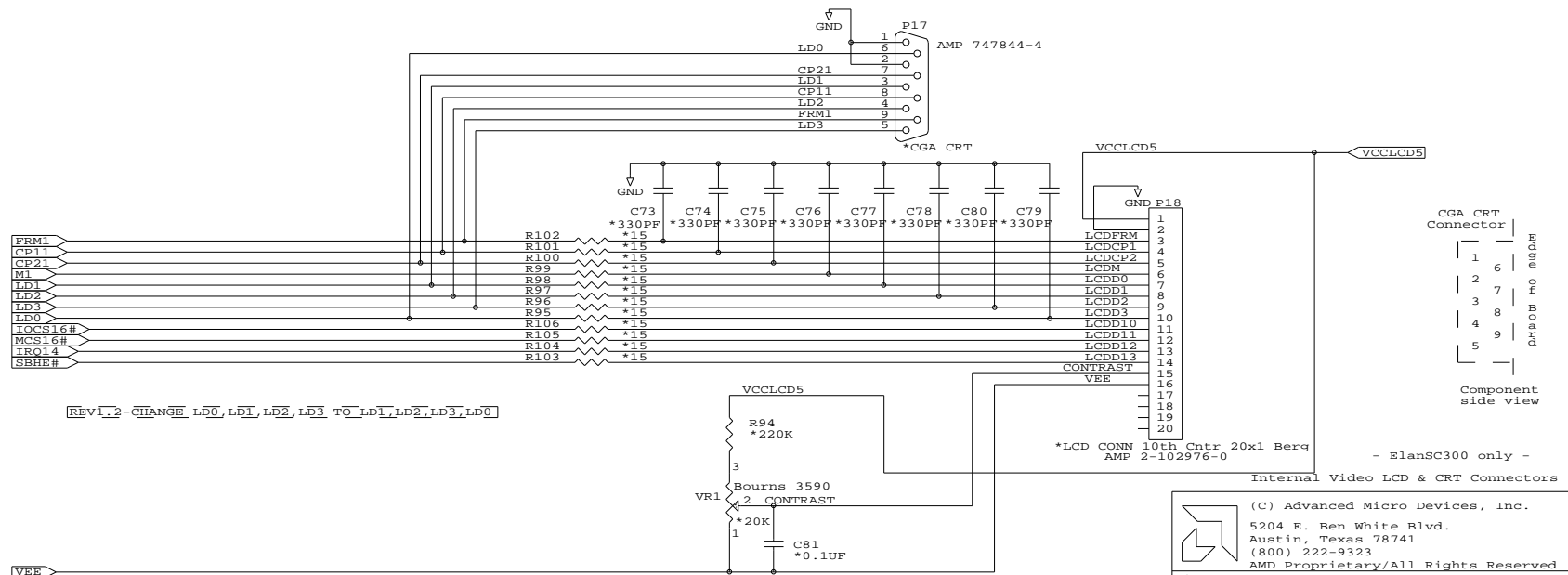


Serial Infra-Red Circuit



If using ElanSC310, do not populate: U25, R341-R348, P17, P18, C72-81, R95-R106, VR1.

Internal Video RAM



Component side view

REVI_2 - CHANGE LD0, LD1, LD2, LD3 TO LD1, LD2, LD3, LD0

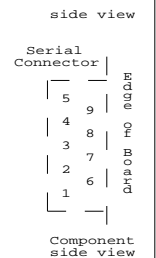
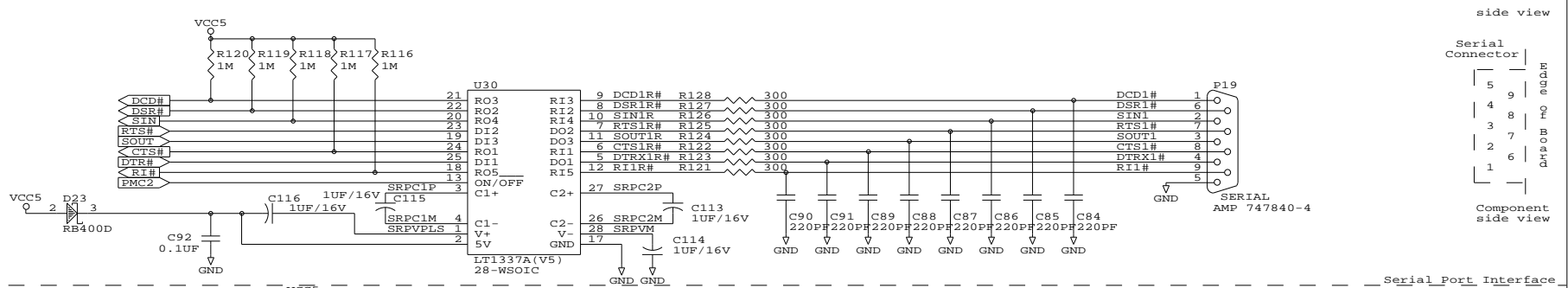
*LCD CONN 10th Cntr 20x1 Berg AMP 2-102976-0

- ElanSC300 only -

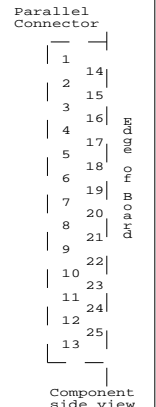
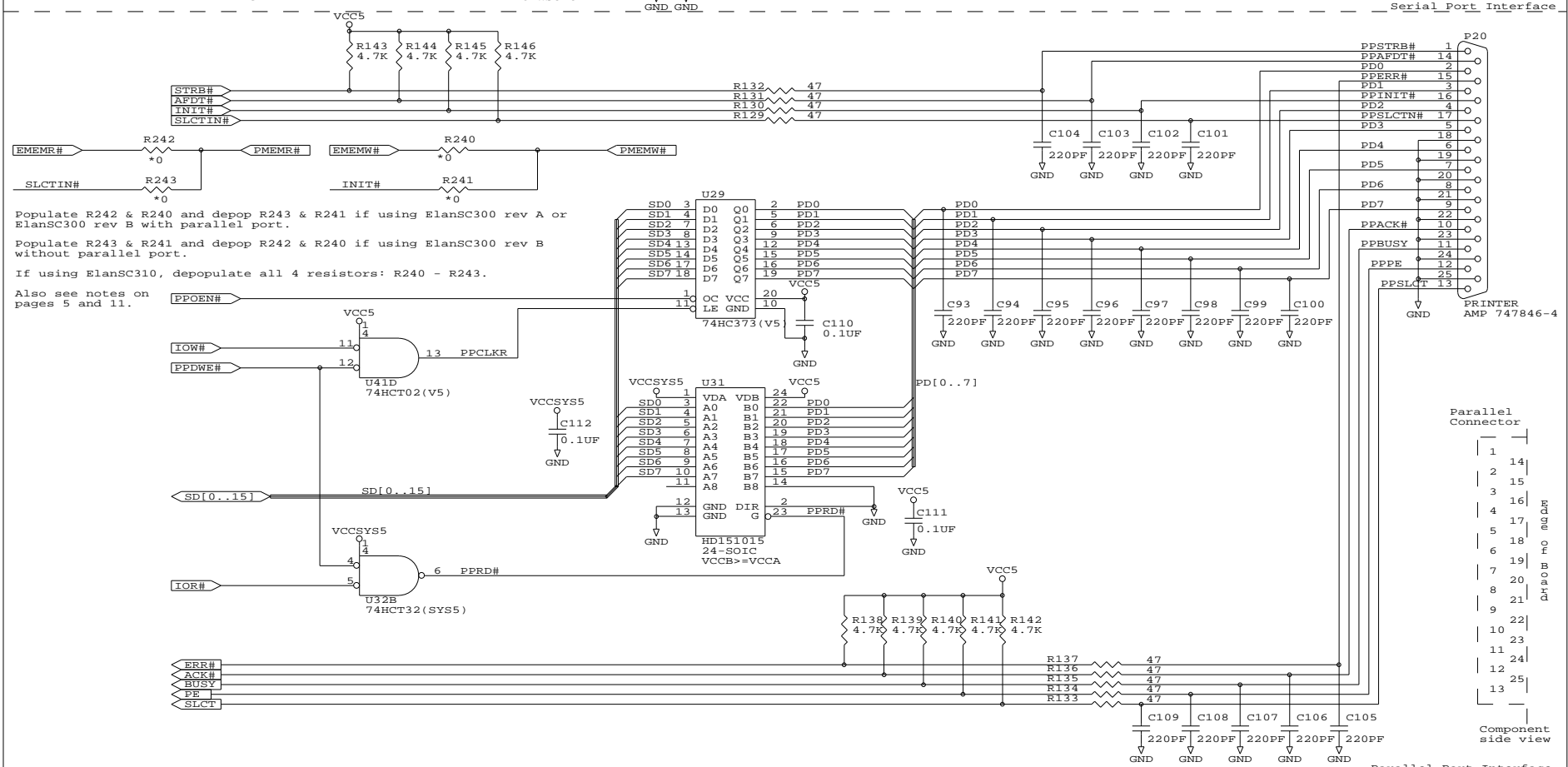
Internal Video LCD & CRT Connectors

(C) Advanced Micro Devices, Inc.
5204 E. Ben White Blvd.
Austin, Texas 78741
(800) 222-9323
AMD Proprietary/All Rights Reserved

Title	Display SRAM & CRT & LCD Connectors
Size	Document Number
B	ElanSC300/310 Evaluation Board
Date:	March 29, 1996
Sheet	14 of 23



Serial Port Interface

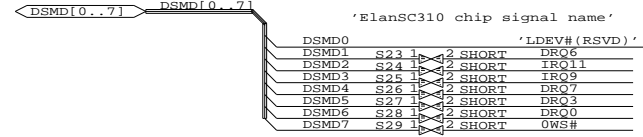
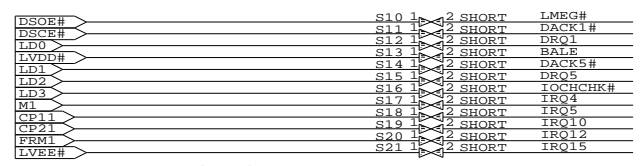
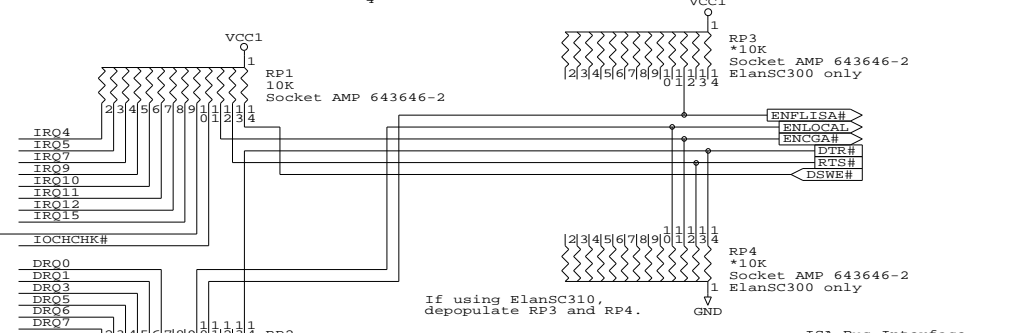
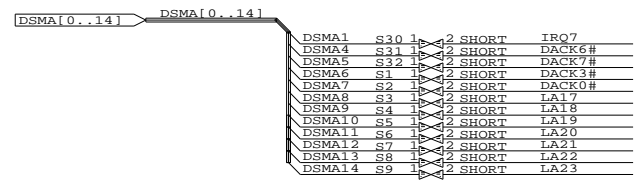
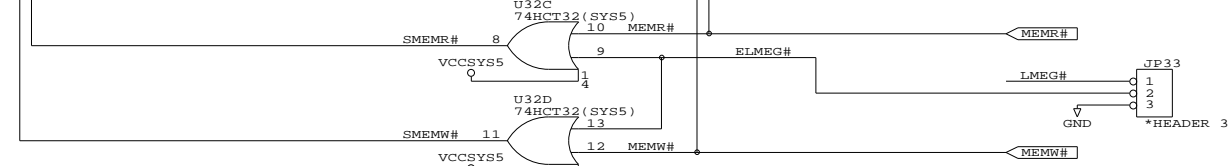
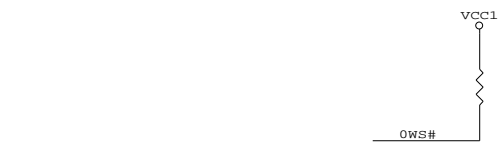
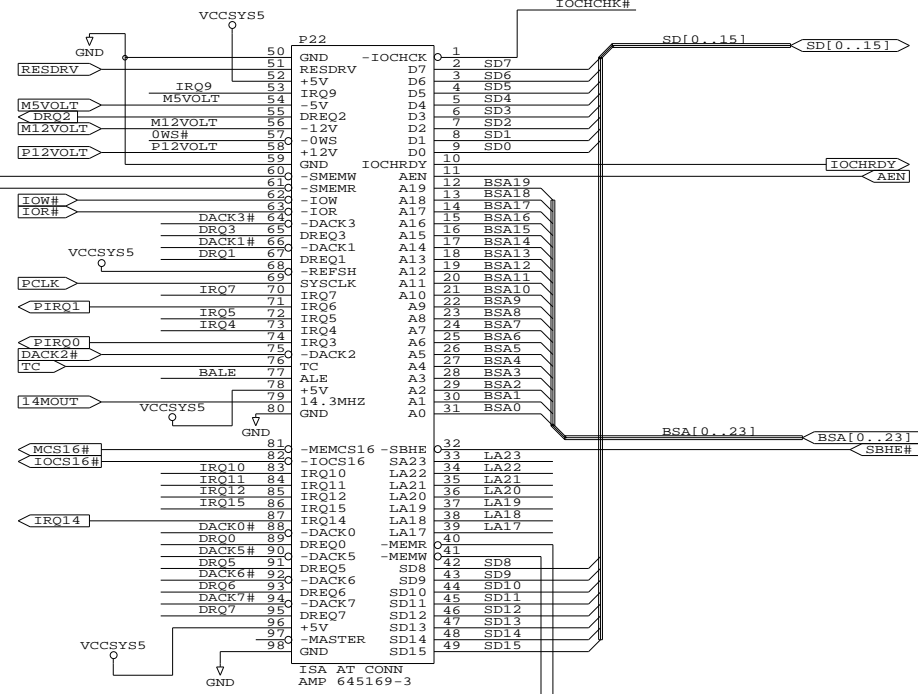
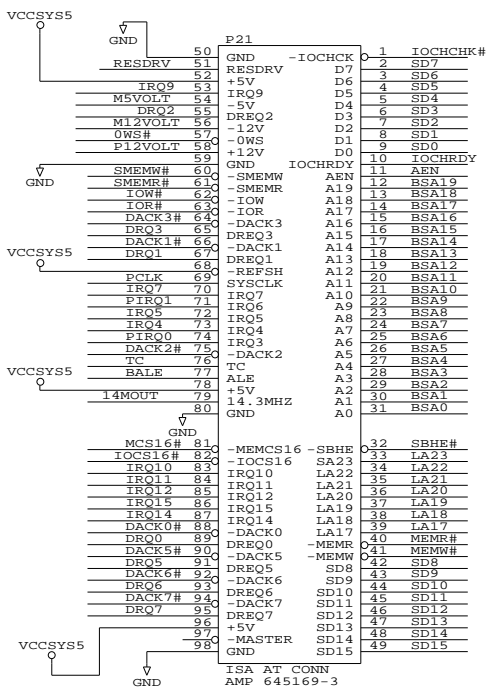


Parallel Port Interface

Populate R242 & R240 and depop R243 & R241 if using ElanSC300 rev A or ElanSC300 rev B with parallel port.
 Populate R243 & R241 and depop R242 & R240 if using ElanSC300 rev B without parallel port.
 If using ElanSC310, depopulate all 4 resistors: R240 - R243.
 Also see notes on pages 5 and 11.

(C) Advanced Micro Devices, Inc.
 5204 E. Ben White Blvd.
 Austin, Texas 78741
 (800) 222-9323
 AMD Proprietary/All Rights Reserved

Title	Serial & Parallel Port Circuits & Conns
Size/Document Number	B ElanSC300/310 Evaluation Board
Date:	March 29, 1996
Sheet	15 of 23



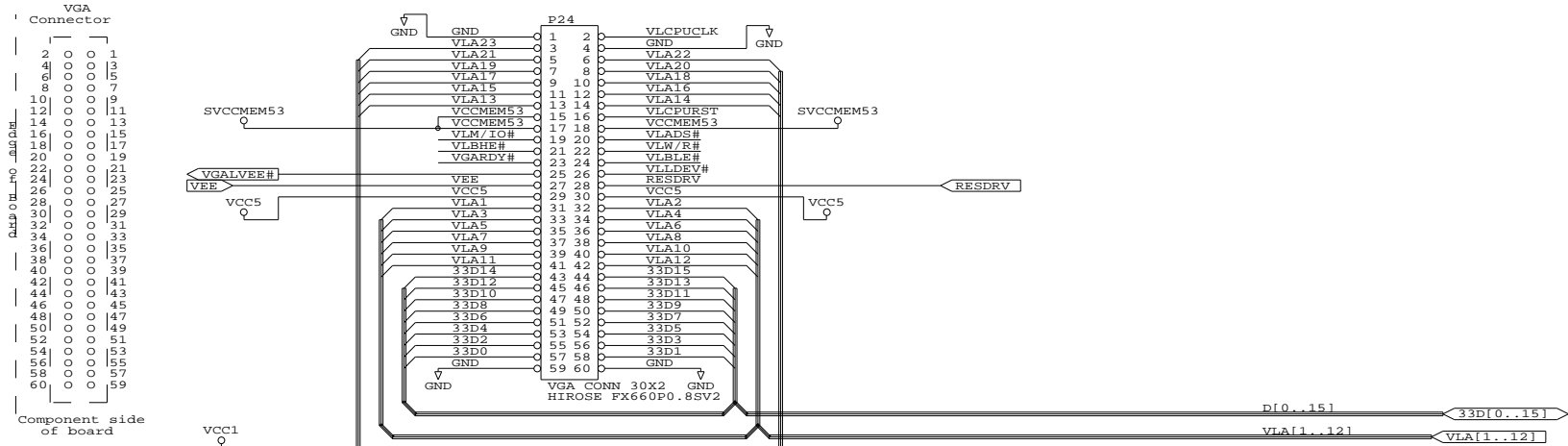
[NOTE] Layout ISA & VL-Bus connectors according to spec. (in line, 0.5 inch spacing).

ISA Bus Interface

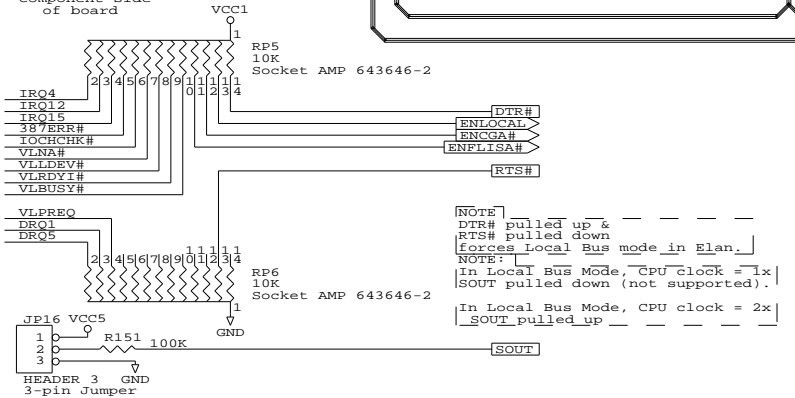
(C) Advanced Micro Devices, Inc.
5204 E. Ben White Blvd.
Austin, Texas 78741
(800) 222-9323
AMD Proprietary/All Rights Reserved

Title	ISA Bus Connectors
Size	Document Number
B	ElansC300/310 Evaluation Board
Date	March 29, 1996
Sheet	16 of 23

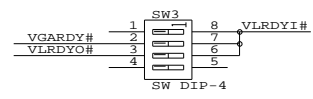
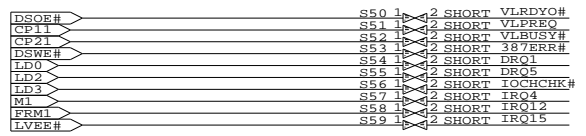
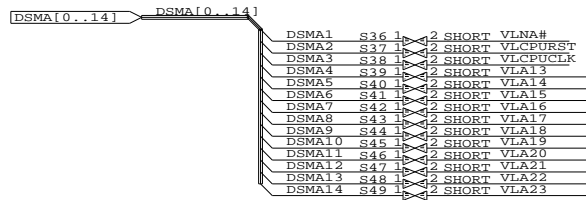
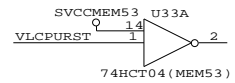
Note: Pin 1 indicator on Local Bus connector is really Pin 2 in our design.



Component side of board



[NOTE]
 DTR# pulled up & ---
 RTS# pulled down
 forces Local Bus mode in Elan.
 In Local Bus Mode, CPU Clock = 1x
 (not supported).
 In Local Bus Mode, CPU clock = 2x
 SOUT pulled up

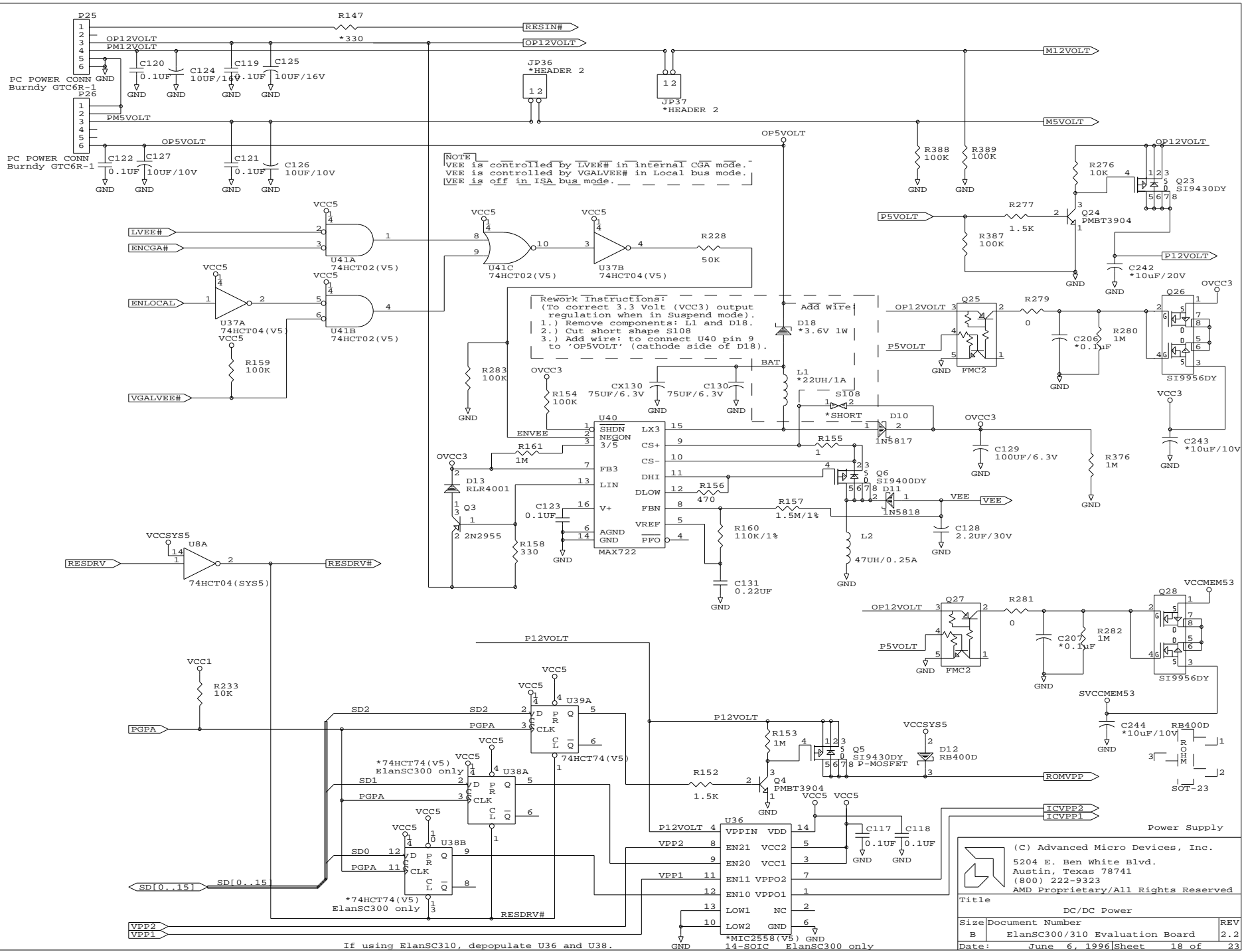


[NOTE]
 Switch in VLRDYI# to use the VL Bus.
 Switch in VGARDY# to use the VGA Connector.
 Switch in VLRDYO# if the VGA card needs it.

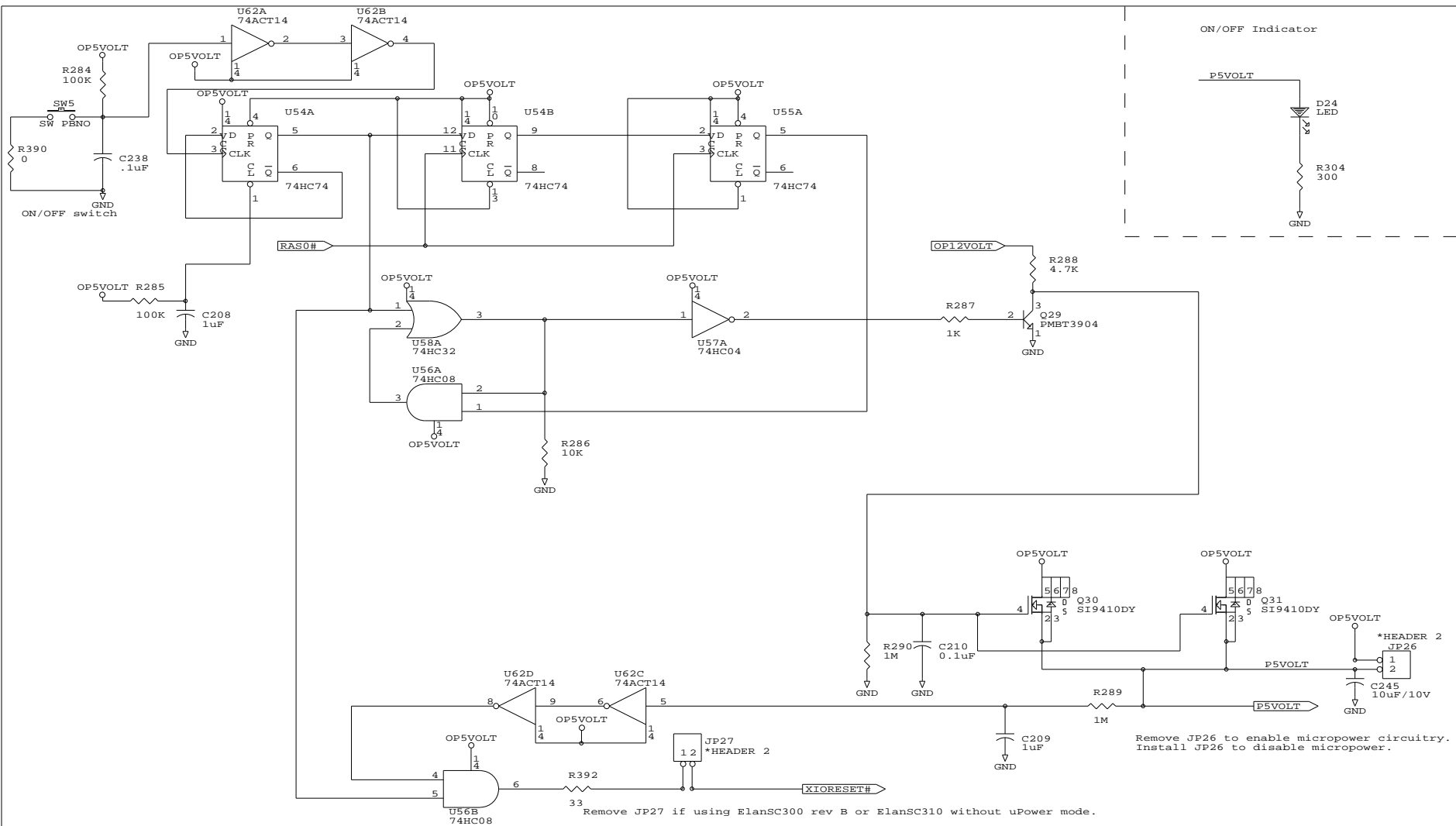
Local Bus Interface

(C) Advanced Micro Devices, Inc.
 5204 E. Ben White Blvd.
 Austin, Texas 78741
 (800) 222-9323
 AMD Proprietary/All Rights Reserved

Title		VL-Bus & Local Bus VGA Connectors
Size	Document Number	REV
B	ElanSC300/310 Evaluation Board	2.2
Date:	March 29, 1996	Sheet 17 of 23



If using ElanSC310, depopulate U36 and U38.

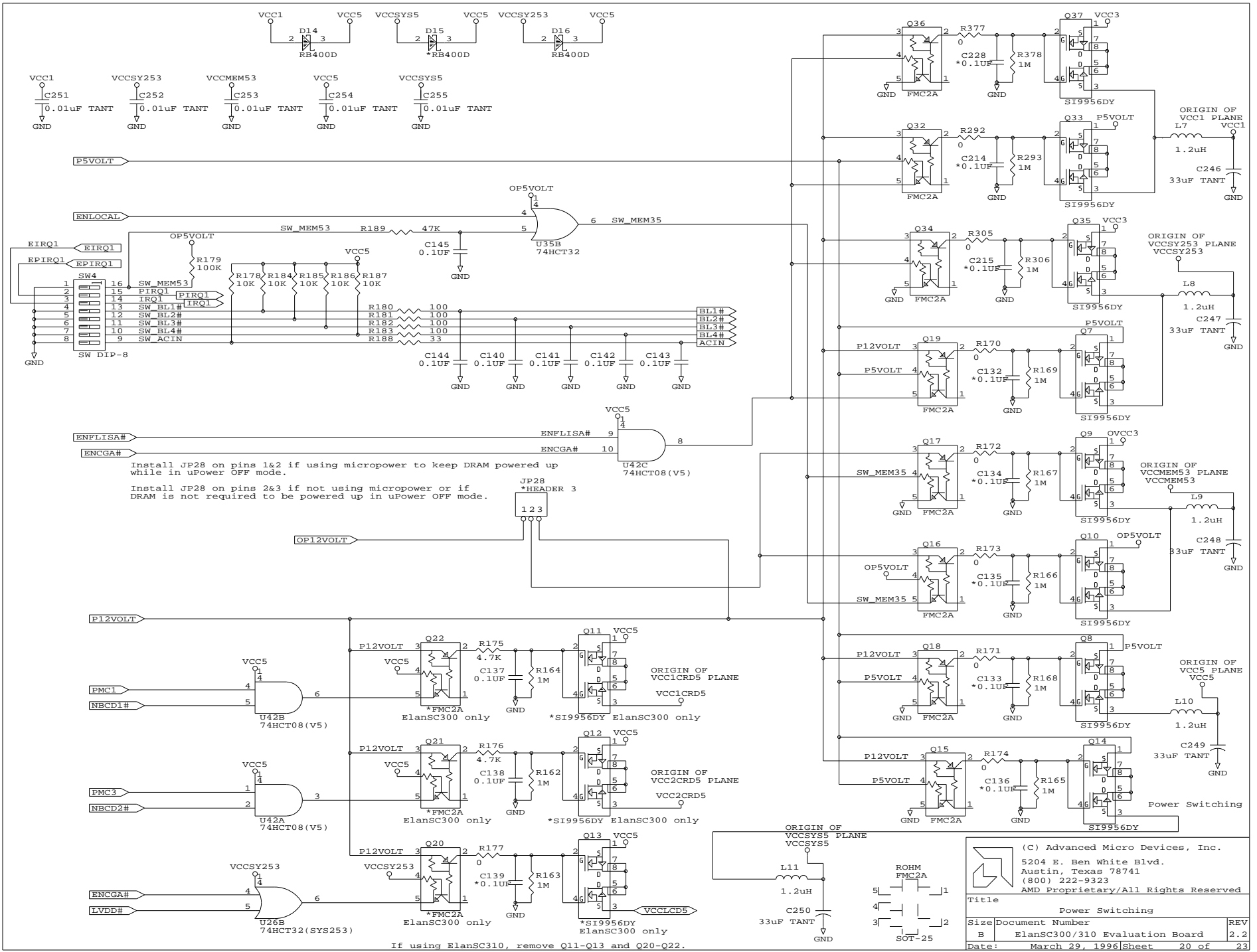


Micro Power Mode Switch



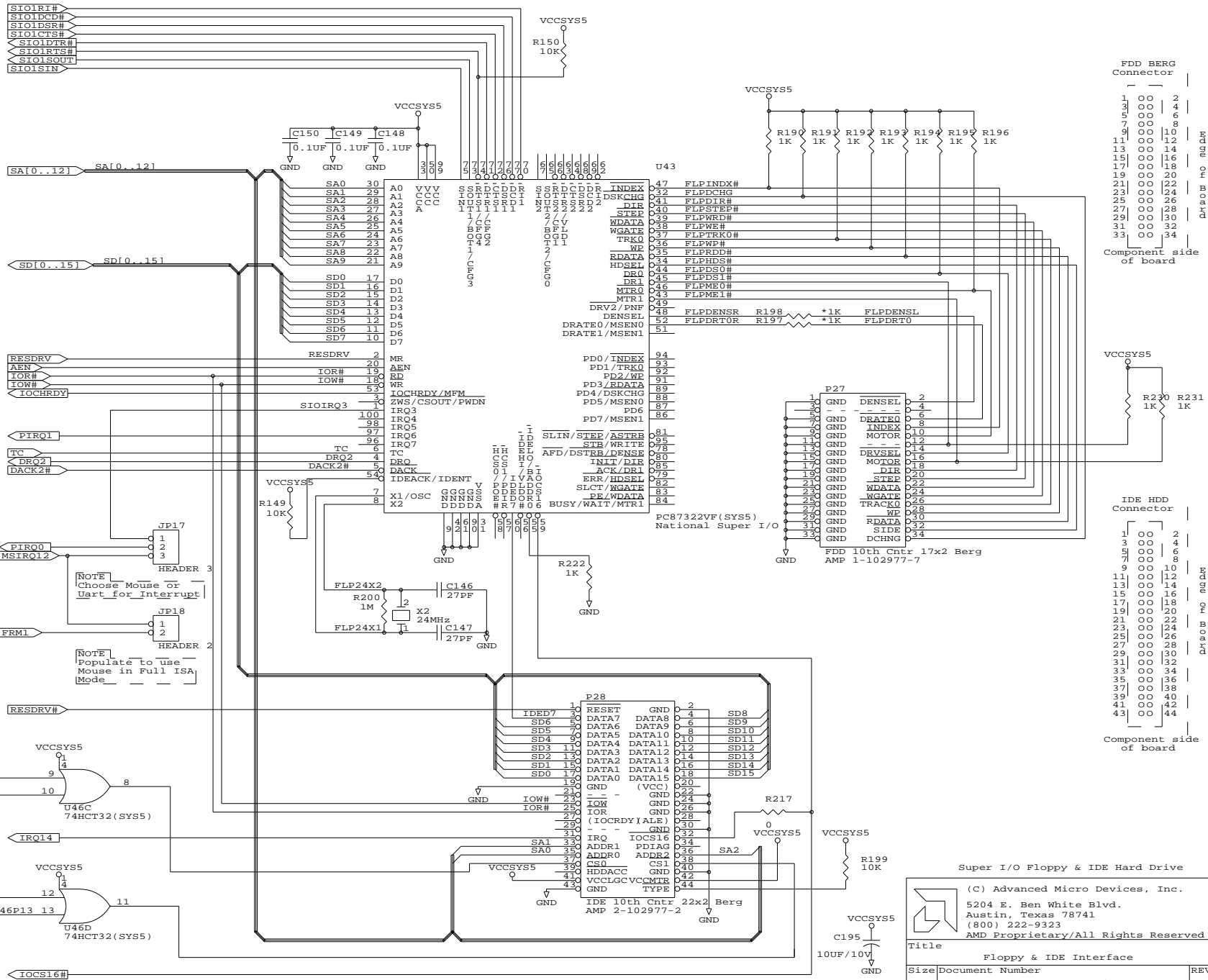
(C) Advanced Micro Devices, Inc.
 5204 E. Ben White Blvd.
 Austin, Texas 78741
 (800) 222-9323
 AMD Proprietary/All Rights Reserved

Title	XIORESET#, P5VOLT generation	
Size	Document Number	REV
B	ElanSC300/310 Evaluation Board	2.2
Date:	March 29, 1996	Sheet 19 of 23



(C) Advanced Micro Devices, Inc.
5204 E. Ben White Blvd.
Austin, Texas 78741
(800) 222-9323
AMD Proprietary/All Rights Reserved

Title	Power Switching	REV
Size	Document Number	B
B	ElanSC300/310 Evaluation Board	2.2
Date:	March 29, 1996	Sheet 20 of 23



FDD BERG Connector

1	00	2
3	00	4
5	00	6
7	00	8
9	00	10
11	00	12
13	00	14
15	00	16
17	00	18
19	00	20
21	00	22
23	00	24
25	00	26
27	00	28
29	00	30
31	00	32
33	00	34

Component side of board

VCCSYS5

1	00	2
3	00	4
5	00	6
7	00	8
9	00	10
11	00	12
13	00	14
15	00	16
17	00	18
19	00	20
21	00	22
23	00	24
25	00	26
27	00	28
29	00	30
31	00	32
33	00	34

IDE HDD Connector

1	00	2
3	00	4
5	00	6
7	00	8
9	00	10
11	00	12
13	00	14
15	00	16
17	00	18
19	00	20
21	00	22
23	00	24
25	00	26
27	00	28
29	00	30
31	00	32
33	00	34
35	00	36
37	00	38
39	00	40
41	00	42
43	00	44

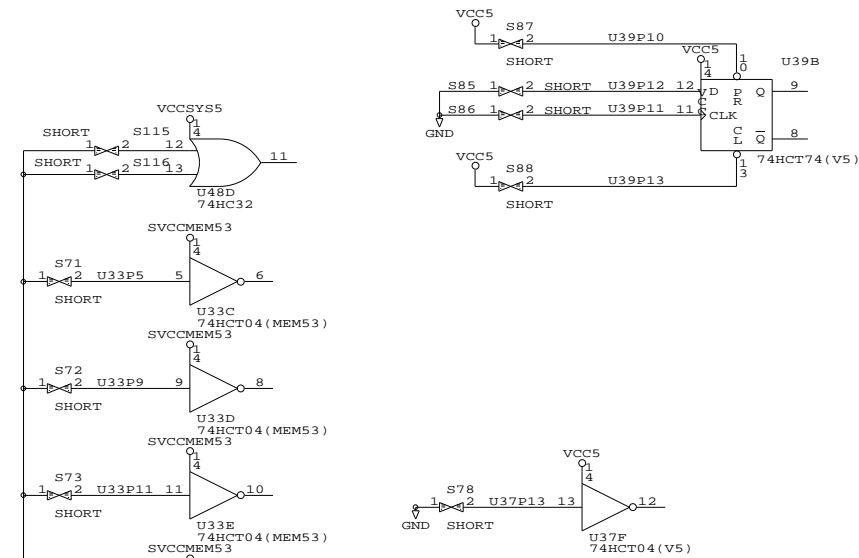
Component side of board

Super I/O Floppy & IDE Hard Drive

(C) Advanced Micro Devices, Inc.
 5204 E. Ben White Blvd.
 Austin, Texas 78741
 (800) 222-9323

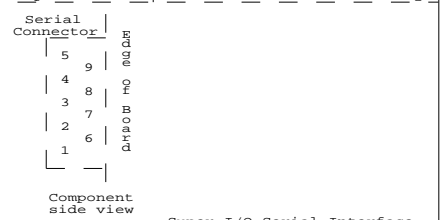
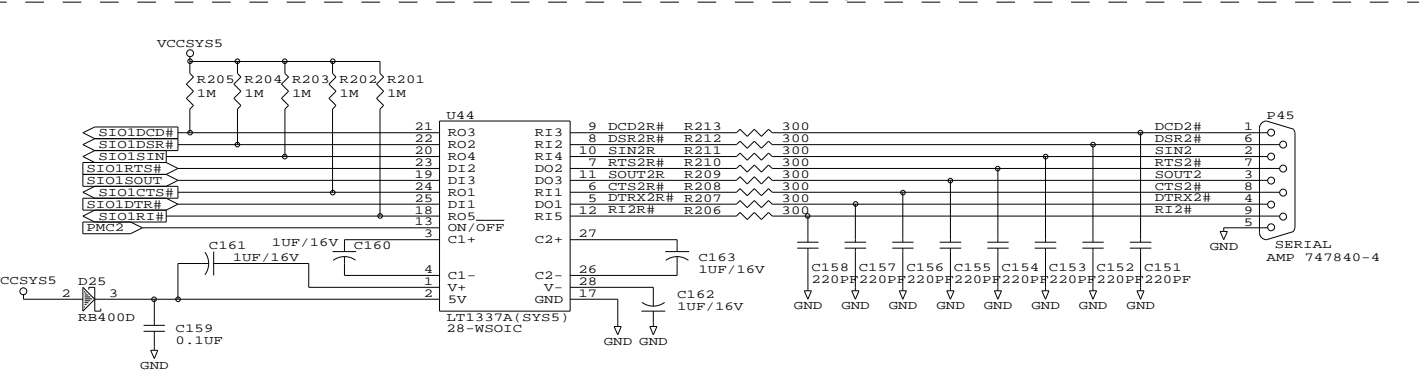
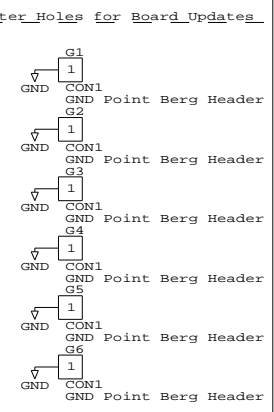
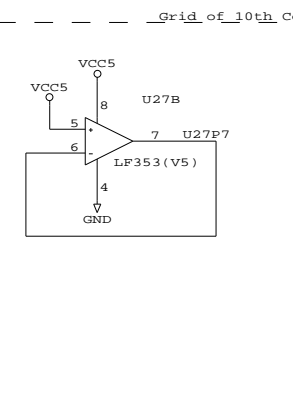
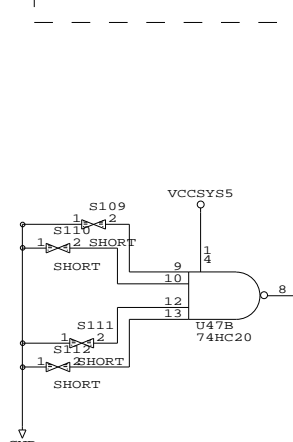
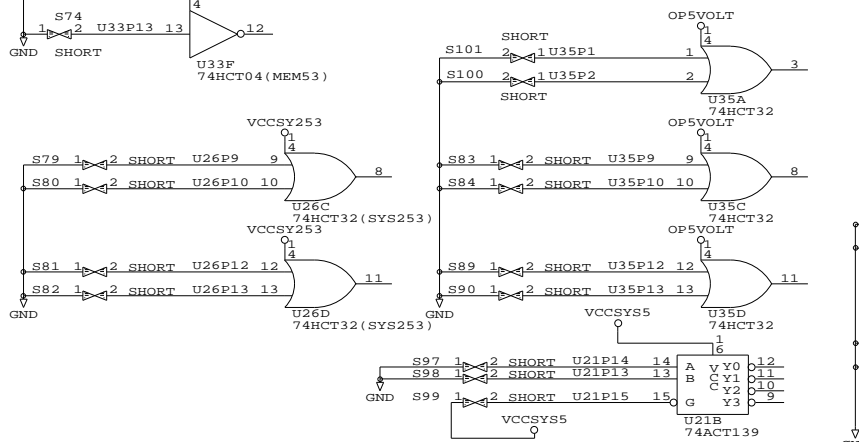
AMD Proprietary/All Rights Reserved

Title	Floppy & IDE Interface	
Size	Document Number	REV
B	ElanSC300/310 Evaluation Board	2.2
Date:	March 29, 1996	Sheet 21 of 23



P42	P31	P32	P33	P34	P35	P36	P37	P38	P39	P40	P41	P43	P44
1	1	1	1	1	1	1	1	1	1	1	1	1	1
2	2	2	2	2	2	2	2	2	2	2	2	2	2
3	3	3	3	3	3	3	3	3	3	3	3	3	3
4	4	4	4	4	4	4	4	4	4	4	4	4	4
5	5	5	5	5	5	5	5	5	5	5	5	5	5
6	6	6	6	6	6	6	6	6	6	6	6	6	6
7	7	7	7	7	7	7	7	7	7	7	7	7	7
8	8	8	8	8	8	8	8	8	8	8	8	8	8
9	9	9	9	9	9	9	9	9	9	9	9	9	9
10	10	10	10	10	10	10	10	10	10	10	10	10	10
11	11	11	11	11	11	11	11	11	11	11	11	11	11
12	12	12	12	12	12	12	12	12	12	12	12	12	12
13	13	13	13	13	13	13	13	13	13	13	13	13	13
14	14	14	14	14	14	14	14	14	14	14	14	14	14
15	15	15	15	15	15	15	15	15	15	15	15	15	15
16	16	16	16	16	16	16	16	16	16	16	16	16	16
17	17	17	17	17	17	17	17	17	17	17	17	17	17
18	18	18	18	18	18	18	18	18	18	18	18	18	18
19	19	19	19	19	19	19	19	19	19	19	19	19	19
20	20	20	20	20	20	20	20	20	20	20	20	20	20
21	21	21	21	21	21	21	21	21	21	21	21	21	21
22	22	22	22	22	22	22	22	22	22	22	22	22	22
23	23	23	23	23	23	23	23	23	23	23	23	23	23
24	24	24	24	24	24	24	24	24	24	24	24	24	24
25	25	25	25	25	25	25	25	25	25	25	25	25	25
26	26	26	26	26	26	26	26	26	26	26	26	26	26
27	27	27	27	27	27	27	27	27	27	27	27	27	27
28	28	28	28	28	28	28	28	28	28	28	28	28	28
29	29	29	29	29	29	29	29	29	29	29	29	29	29
30	30	30	30	30	30	30	30	30	30	30	30	30	30
31	31	31	31	31	31	31	31	31	31	31	31	31	31
32	32	32	32	32	32	32	32	32	32	32	32	32	32
33	33	33	33	33	33	33	33	33	33	33	33	33	33
34	34	34	34	34	34	34	34	34	34	34	34	34	34
35	35	35	35	35	35	35	35	35	35	35	35	35	35
36	36	36	36	36	36	36	36	36	36	36	36	36	36
37	37	37	37	37	37	37	37	37	37	37	37	37	37
38	38	38	38	38	38	38	38	38	38	38	38	38	38
39	39	39	39	39	39	39	39	39	39	39	39	39	39
40	40	40	40	40	40	40	40	40	40	40	40	40	40

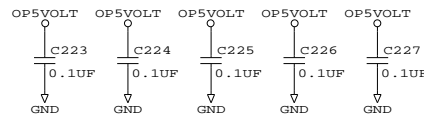
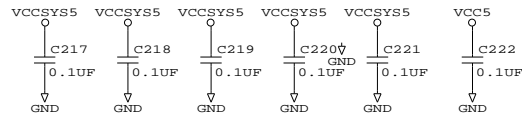
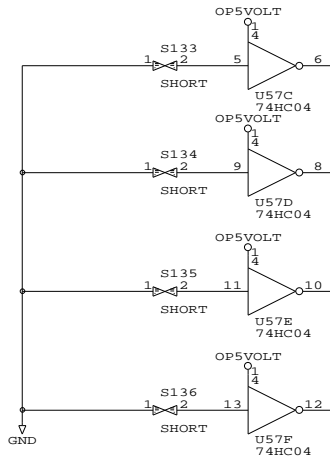
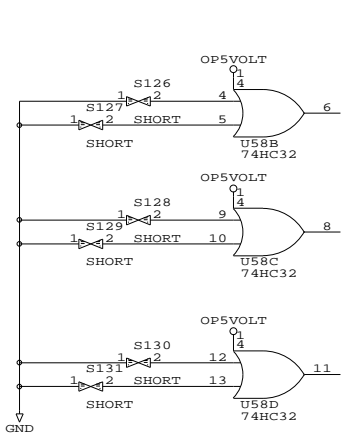
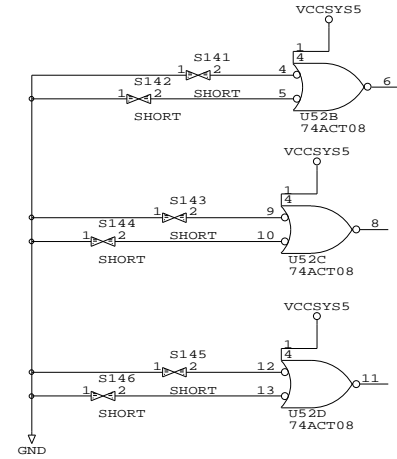
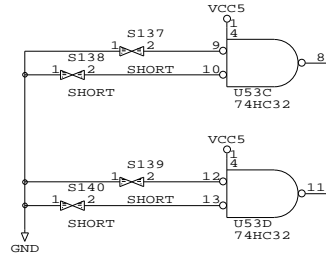
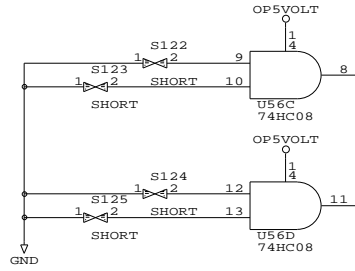
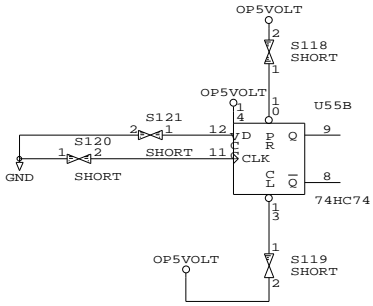
10TH CTR HOLE GRID



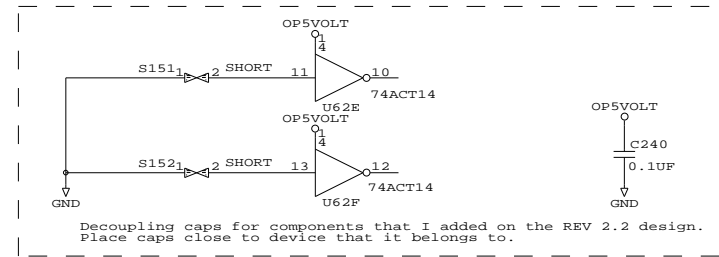
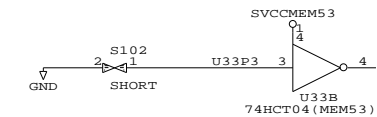
Super I/O Serial Interface

(C) Advanced Micro Devices, Inc.
 5204 E. Ben White Blvd.
 Austin, Texas 78741
 (800) 222-9323
 AMD Proprietary/All Rights Reserved

Title	Spare Gates & Super I/O Serial Port	REV
Size/Document Number	ElanSC300/310 Evaluation Board	2.2
Date:	March 29, 1996	Sheet 22 of 23



Decoupling caps for components that I added on the REV 2 design. Place caps close to device that it belongs to.



Decoupling caps for components that I added on the REV 2.2 design. Place caps close to device that it belongs to.

			(C) Advanced Micro Devices, Inc. 5204 E. Ben White Blvd. Austin, Texas 78741 (800) 222-9323 AMD Proprietary/All Rights Reserved		
			Title	SPARES continued	
Size	Document Number			REV	
B	ElanSC300/310 Evaluation Board			2.2	
Date:	March 29, 1996	Sheet	23 of	23	



Index

Numerics

8042 keyboard controller, 2-20, 4-14

A

ACIN pin

related to PMU, 3-9

simulating battery back-up conditions,
2-25

Application ROM

booting from in PhoenixPICO, 2-12

displaying region, 3-12

interface, using 8- or 16-bit, 3-12

memory mapping, 4-9

restrictions, 2-5

size, selecting, 2-22

supported, xi

writes, enabling, 4-5

B

battery

backup, simulation, 2-25

level, related to PMU, 3-9

BIOS

options for PhoenixPICO, 2-11–2-15

options for SystemSoft, 2-6–2-9

overview, 2-5

PhoenixPICO BIOS, 2-10–2-15

PhoenixPICO diskette, 3-1

restrictions, 2-4

shadowing in SystemSoft, 2-8

supported, xi

SystemSoft BIOS, 2-6–2-9

SystemSoft diskette, 3-1

BIOS ROM

displaying region, 3-12

memory mapping, 4-9

selecting, 2-22

writes, enabling, 4-5

BIOSCS, 4-9

BL1–BL4, 2-24

booting

boot sector writes in SystemSoft, 2-7

diskette, from, 1-2–1-7

fast boot in SystemSoft, 2-7

first boot in SystemSoft, 2-7

order in PhoenixPICO, 2-12

setting password in SystemSoft, 2-8

breadboard area, 2-24

bus modes

jumper settings to select, A-2

overview, 2-16

restrictions, 2-4

selecting, 2-17

supported, xi

See also local bus, ISA bus, and video
bus.

C

CLK
 setting in PhoenixPICO, 2-13
COM ports, internal
 setting in SystemSoft, 2-7
configuration jumpers, A-2
connectors, external, x
CPURDY, 2-18
CSI, 4-3

D

Datalight diskette, 3-1
debugging, supported, xi
disk drive
 selecting type in PhoenixPICO, 2-11
 selecting type in SystemSoft, 2-6
DMA mapping, 4-13
DOS
 booting from a diskette, 1-2-1-7
DOS ROM
 See Application ROM.
Doze mode
 changing from in SystemSoft, 2-9
 forcing, 3-8
 power management, in, 2-24
 setting in elanpmu, 3-7
DRAM
 installing, 2-19
 restrictions, 2-4

E

Elan PMU evaluation utility
 See elanpmu.
elaninit.zip, 3-2
elanpmu, 3-4-3-9
elanpmu.zip, 3-3
ÉlanSC310 Evaluation Board
 See evaluation board.
EPROM
 address mapping, 4-6
 programming, 4-5-4-7
 restrictions, 2-4
 selecting, 2-22
errata, 1-2
EvalSet Serial and Parallel Port Setup utility
 See evalset.exe.
evalset.exe
 examples, 3-11
 using, 3-10-3-11
evalset.zip, 3-3
evaluation board
 avoiding damage to, 1-2
 components of, 4-14-4-15
 features, x-xi
 installation requirements, 1-3
 installing, 1-4-1-5
 jumpers and switches, listing of, 2-3
 layout diagram, 2-2
 layout suggestions, C-1-C-2
 overview, ix
 quick start, 1-1
 restrictions, 2-4-2-5
 setup summary, A-1-A-4
 troubleshooting, 1-6-1-7
exiting
 PhoenixPICO setup screen, 2-15
 SystemSoft setup screen, 2-9
extended memory
 See memory, extended.

F

Flash

- address mapping, 4-6
- initialization example, 4-7
- jumper settings, 4-6
- programming, 3-3, 4-5–4-7
- restrictions, 2-4
- selecting, 2-22

flash.exe, 3-3

flash.zip, 3-3

H

hard drive

- IDE, *See* IDE hard drive.
- setting parameters in SystemSoft, 2-6, 2-11

High Speed mode

- changing from in SystemSoft, 2-8
- power management, in, 2-24
- restrictions, 2-5
- toggleing between it and Suspend, 2-25

High Speed PLL Mode, 3-6

I

I/O

- interfaces integrated, 2-20–2-21
- map, 4-10–4-11
- overview, 2-20
- ports, accessing from command line, 3-4

IDE hard drive

- connecting, 1-7–1-8
- connection location, 2-21
- interface, 4-15

Index 48h, 4-15

Index 51h, 4-6

Index 62H, 4-5

Index 62h, 4-5

Index 65h, 4-8, 4-9

Index 69h, 4-8

Index 6Dh, 4-8

Index 70h, 4-2

Index 74h, 4-3

Index 77h, 4-15

Index 80h, 4-4

Index 81h, 4-4

Index 89h, 4-2, 4-10

Index 91h, 4-2, 4-3

Index 92h, 4-15

Index 94h, 4-3

Index 9Ch, 4-3

Index ACh, 4-4

Index B8h, 4-9

index registers

- accessing from command line, 3-4

initialization example, 3-2

installing

- board, 1-4–1-5
- requirements, 1-3
- troubleshooting, 1-6–1-7

IRQ mapping, 4-11

IRQ1, 2-25

IRQ12, 2-20

IRQ4, 2-21

ISA bus mode

- overview, 2-17
 - restrictions, 2-4
-

J

JP10, A-4

JP11, A-4

JP12, 2-22, A-2

JP13, 2-22, A-2

JP16, A-2

JP16–JP18, 2-17
JP17, 2-20, A-2
JP18, 2-20, A-2, A-3
JP19, 2-23, A-4
JP1–JP11, 2-23
JP1–JP7, A-4
JP32, 2-5, 2-22, A-2
jumpers
 configuration, A-2
 power measurement, A-4
 settings, A-1

L

layout of board, 2-2
local bus card
 using, 2-18
Local Bus mode, 2-18
Low Speed mode
 changing from in SystemSoft, 2-8
 power management, in, 2-24
Low Speed PLL mode
 forcing, 3-8
 setting in elanpmu, 3-7
LRDY, 2-18

M

memory
 board, on, x
 extended, in PhoenixPICO, 2-13
 map, 4-7–4-9
 shadow memory regions in
 PhoenixPICO, 2-12
 supported, 2-18
 system, in PhoenixPICO, 2-13
 voltage, 2-19
 See also DRAM and SRAM.
Memory Management System Viewer utility

See mmsview.exe
MicroPower Off mode, 2-26
MMS
 MMSA and MMSB windows, 3-3
 resources accessible, 3-12
 viewing system resources through, 3-12
mmsinfo.exe, 3-3
mmsinfo.zip, 3-3
mmsview.exe
 commands for, 3-14–3-17
 syntax for, 3-13
 using, 3-12–3-18
mmsview.zip, 3-4
mouse
 PS/2, *See* PS/2 mouse.

N

NumLock
 setting in SystemSoft, 2-7

O

Off mode
 power management, in, 2-24
 setting in elanpmu, 3-7
OS
 supported, xi
oscillator, 32-kHz
 layout suggestions, C-1

P

- P19, 2-21
 - P20, 2-21
 - P28, 2-21
 - P45, 2-21
 - parallel port
 - setting, 2-21
 - setting base address, 3-11
 - setting for EPP and Bidirectional, 3-11
 - setting in SystemSoft, 2-7
 - peripherals
 - needed, 1-3
 - verified to work on board, B-1
 - PGP pins, 4-2–4-3
 - PGP0 pin, 4-2
 - PGP1 pin, 4-3
 - PGP2 pin, 4-3
 - PGP3 pin, 4-3
 - PGPA pin, 4-2
 - PGPB pin, 4-3
 - PGPC pin, 4-3
 - PGPD pin, 4-3
 - PhoenixPICO
 - See* BIOS.
 - PIRQ1, 2-25
 - PLLs
 - layout suggestions, C-2
 - PMC pins, 4-3–4-4
 - PMC0 pin, 4-4
 - PMC1 pin, 4-4
 - PMC2 pin, 4-4
 - PMC3 pin, 4-4
 - PMC4 pin, 4-4
 - PMU modes
 - changing to current, 3-9
 - forcing, 3-8–3-9
 - restoring, 3-9
 - setting options, 3-5–3-7
 - power management
 - enabling in PhoenixPICO, 2-14
 - enabling in SystemSoft, 2-8
 - features, x
 - layout suggestions, C-2
 - lowest mode, 2-26
 - power consumption, affecting, 3-4
 - simulation, 2-25
 - using, 2-24–2-25
 - Power Management Control pins
 - See* PMC pins.
 - power measurement
 - jumpers, A-4
 - using, 2-23–2-24
 - processor speed
 - setting in PhoenixPICO, 2-13
 - setting in SystemSoft, 2-7
 - Programmable General Purpose pins
 - See* PGP pins.
 - PS/2 mouse
 - adding, 2-20
-
- ## R
-
- RAM, system
 - displaying region, 3-12
 - read/compares, continuous
 - performing, 3-12
 - regdump.exe, 3-4, 3-19
 - Register Dump utility
 - See* regdump.exe.
 - registers
 - manipulating, 3-19
 - Reset pin, 4-4
 - ROM
 - sockets, 2-22
 - See also* BIOS ROM, DOS ROM, and Application ROM.
 - RP1–RP2, RP3–RP4, 2-17
 - RSTDRV pin, 4-4
 - RTC RAM
 - restrictions, 2-5

S

sdb.exe, 3-4
sdb.zip, 3-4
serial ports
 internal, enabling, 4-15
 serial port 1, 3-10
 serial port 2, 3-10
 setting addresses, 3-10–3-11
 setting up, 2-21
setup screen
 setting in PhoenixPICO, 2-15
 setting password in SystemSoft, 2-8
 setting to defaults in SystemSoft, 2-9
SIMM
 restrictions, 2-4
Sleep mode
 forcing, 3-8
 power management, in, 2-24
 setting in elanpmu, 3-7
Super I/O
 setting port in SystemSoft, 2-7
 using, 4-14
Suspend mode
 forcing, 3-9
 power management, in, 2-24
 setting in elanpmu, 3-7
 toggling between it and High Speed, 2-25
Suspend/Resume button, 2-25
SW3-1, 2-18
SW3-1–SW3-4, A-3
SW3-2, 2-18
SW3-3, 2-18
SW3-4, 2-18
SW4, 3-9
SW4-1, 2-19
SW4-1–SW4-8, A-3
SW4-2, 2-25
SW4-3, 2-25

SW4-4–SW4-7, 2-24
SW4-8, 2-25
SW5, 2-26
switches
 list of, A-3
 settings, A-1
system date and time
 setting in PhoenixPICO, 2-11
 setting in SystemSoft, 2-6
system memory, *See* memory, system.
system RAM
 filling with selected byte, 3-12
SystemSoft, *See* BIOS.

T

timeouts
 setting in PhoenixPICO, 2-14–2-15
typematic rate
 in SystemSoft, 2-8

U

UARTs
 connections to serial ports, 2-21
 internal, 3-10
 Super I/O, 3-10
utilities, 3-2–3-4

V

VGARDY, 2-18

video

display, setting in PhoenixPICO, 2-11

display, setting in SystemSoft, 2-7

shadowing BIOS ROM

in PhoenixPICO, 2-12

shadowing in SystemSoft, 2-8

view of data

appending to log file, 3-12

VLRDYI, 2-18

VLRDYO, 2-18

voltage

controlling, 4-5

VPP, 4-5

VRT bit, 2-6

