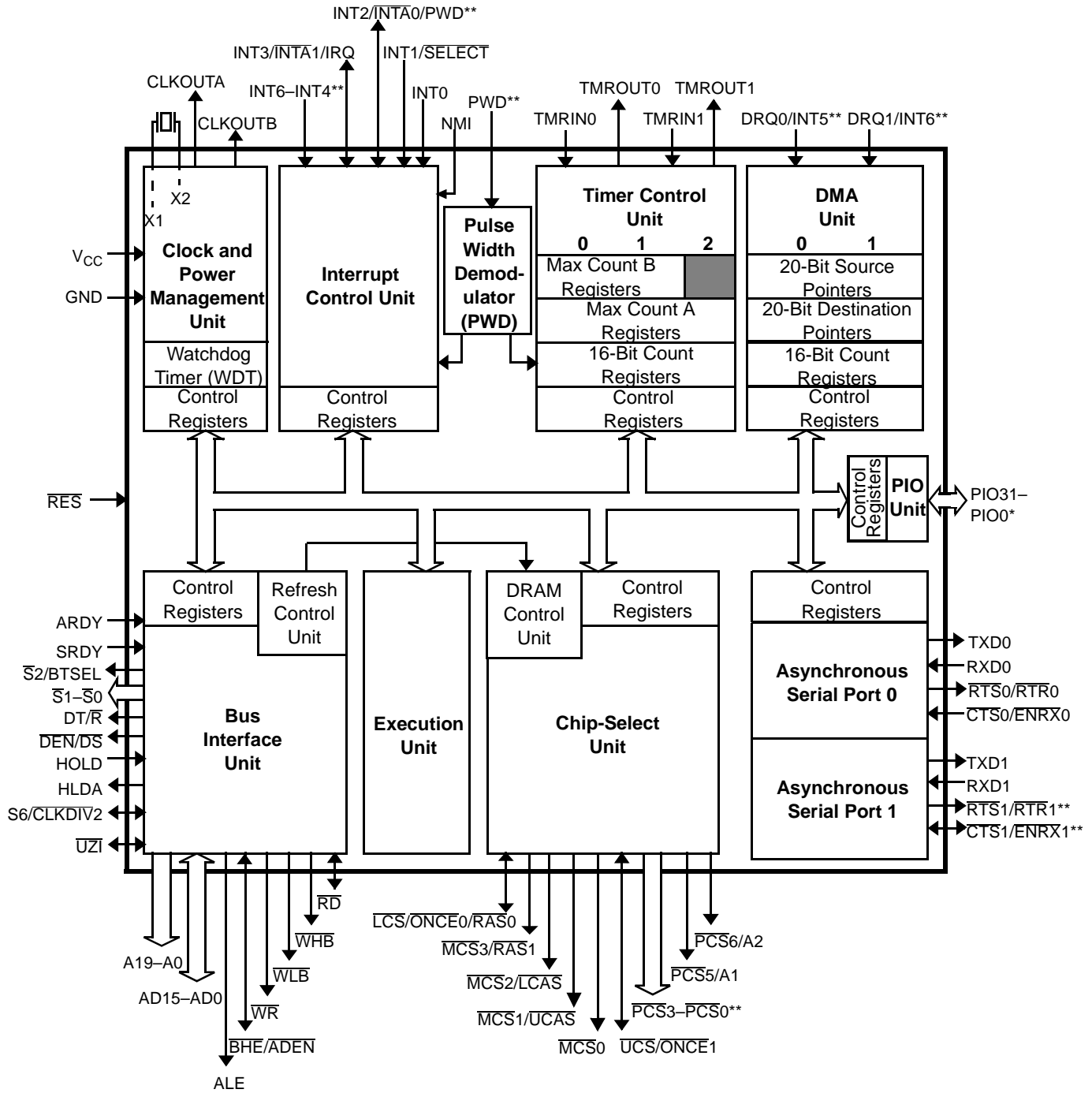


# Am186ED/EDLV MICROCONTROLLERS BLOCK DIAGRAM



## Notes:

\*All PIO signals are shared with other physical pins. See the pin descriptions beginning on page 21 and Table 2 on page 29 for information on shared functions.

\*\*  $RTS1/RTR1$  and  $CTS1/ENRX1$  are multiplexed with  $PCS3$  and  $PCS2$ , respectively. See the pin descriptions beginning on page 21.